

SERIES



**X-Series Vended Stack & Single Pocket Dryers
Reversing and Non-Reversing Parts Manual**

Kits, Assemblies, and Common Parts

DC30X2_ _ _ T_ _
DC50X2_ _ _ T_ _

Cabinet Components	Part Number
Liner, Baffle RH T-30X2	9354-015-001
Liner, Baffle LH T-30X2	9354-016-001
Liner, Baffle RH T-50X2	9354-013-002
Liner, Baffle LH T-50X2	9354-014-002
Cleanout Duct Assembly 8"	9973-034-001



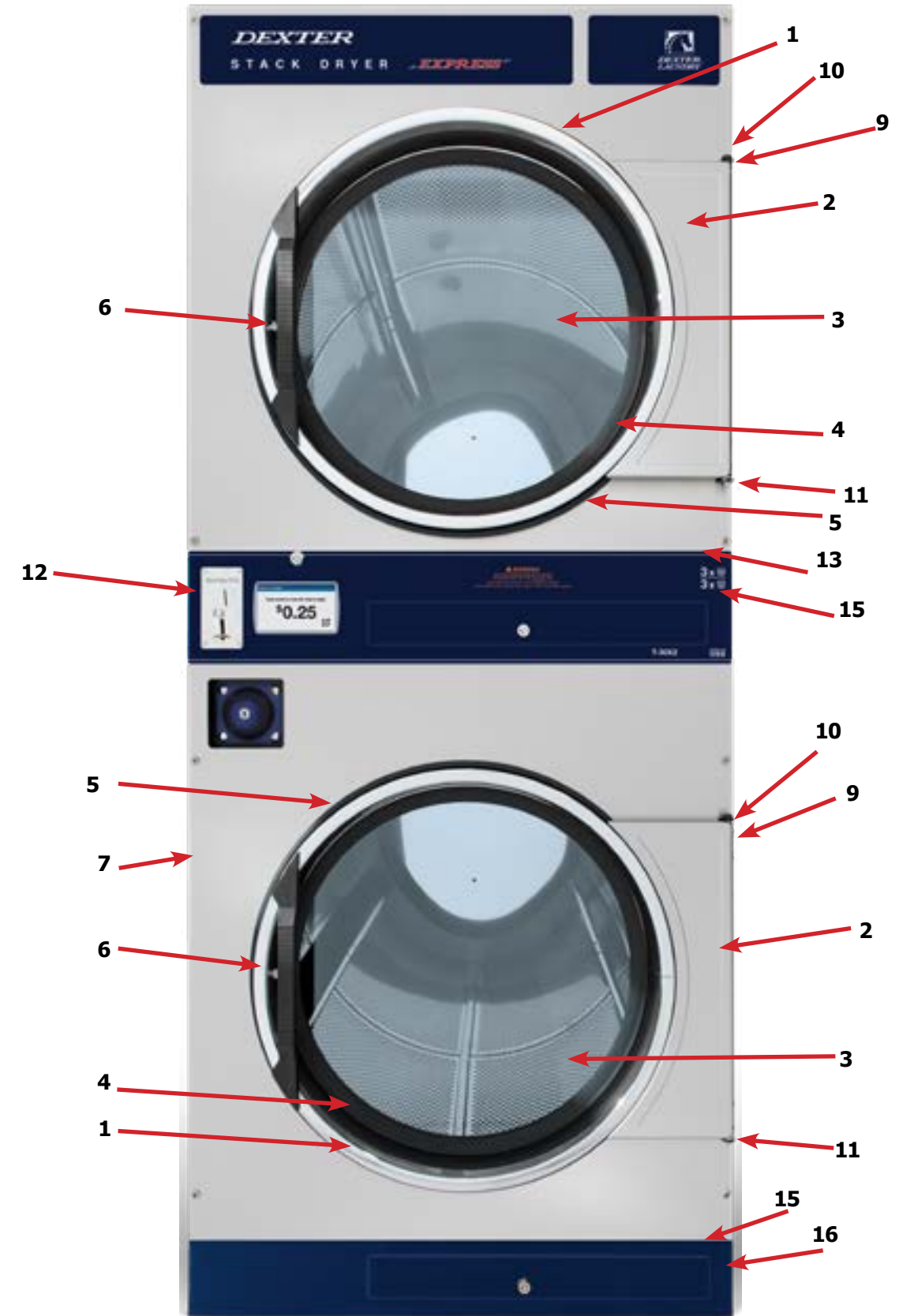
DEXTER[®]
LAUNDRY



Section 1: Touch Series Vended Stack Dryers Parts Data

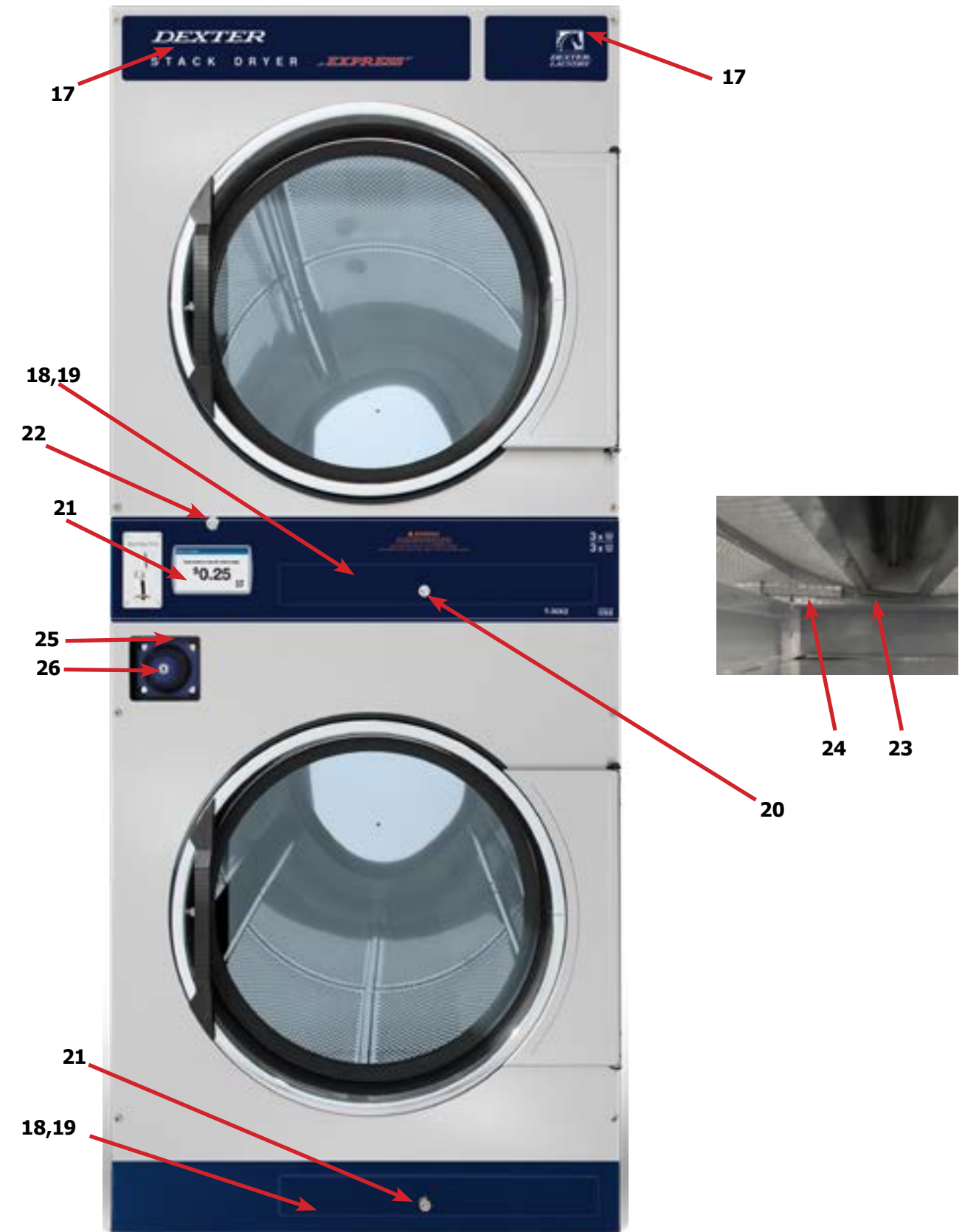
Cabinet Parts Group

Key	Description	T-30X2	T-50X2	QTY
*	Complete Door Assembly ss/chr/blk	9960-256-035	9960-285-007	2
1	Door Assembly, Loading (Ring Only)	9960-319-003	9960-320-003	2
2	Plate Assembly, Hinge (No Pin)	9982-280-012	9982-353-001	2
*	Screw, Hinge to Door	9545-012-015	9545-012-015	8
*	Nut, Hinge to Door	8640-413-002	8640-413-002	8
3	Glass, Door	9212-002-003	9212-002-004	2
4	Gasket, Glass Black	9206-413-001	9206-413-002	2
*	Support, Door Glass	9548-117-000	9548-117-000	2
*	Tool Install Dryer Door Gasket	8545-064-001	8545-064-001	1
5	Gasket, Outer Rim Black	9206-420-003	9206-420-005	2
6	Handle, Loading Door	9244-093-001	9244-093-001	2
*	Screw, Handle 1/4-20 x 3/8	9545-018-017	9545-018-017	4
*	Stud, Door Catch	9531-033-002	9531-033-002	2
*	Nut, Hex	8640-413-001	8640-413-001	2
*	Nut, Acorn	8640-413-003	8640-413-003	2
*	Catch, Loading Door	9086-015-002	9086-015-002	2
*	Pop Rivet for mtg. catch	9491-009-004	9491-009-004	4
7	Panel Assembly, Front-Upper (SS)	9989-724-001	9989-725-001	1
8	Panel Assembly, Front-Lower (SS)	9989-630-001	9989-521-001	1
*	Insulation- Front Panel (Top Half)	9277-063-001	9277-054-001	2
*	Insulation-Front Panel (Btm Half)	9277-063-002	9277-054-002	2
*	Screw, Front Panel	9545-008-014	9545-008-014	8
*	Finish Washer	8641-585-001	8641-585-001	8
*	Nut, Expansion	8640-442-001	8640-442-001	8
9	Strap, Hinge (SS/Black)	9544-072-002	9544-069-005	2
*	Screw, Hinge to Panel	9545-012-028	9545-012-028	8
10	Screw, Door to Hinge Strap	9545-012-003	9545-012-003	4
11	Washer, Fiber	8641-436-003	8641-436-003	2
12	Acceptor, Coin	9021-099-001	9021-099-001	1
*	Retainer, Coin Acceptor	9486-149-001	9486-149-001	2
*	Screw	9545-053-002	9545-053-002	4
13	Escutcheon, Upper	9141-181-002	9141-182-002	1
14	Trim, Overlay-Upper Blue	9435-068-002	9435-070-002	1
14	Trim, Overlay-Upper Black	9435-068-001	9435-070-001	1
15	Escutcheon, Lower	9141-176-002	9141-179-002	1
16	Trim, Overlay-Lower Blue	9435-063-002	9435-066-002	1
16	Trim, Overlay-Lower Black	9435-063-001	9435-066-001	1



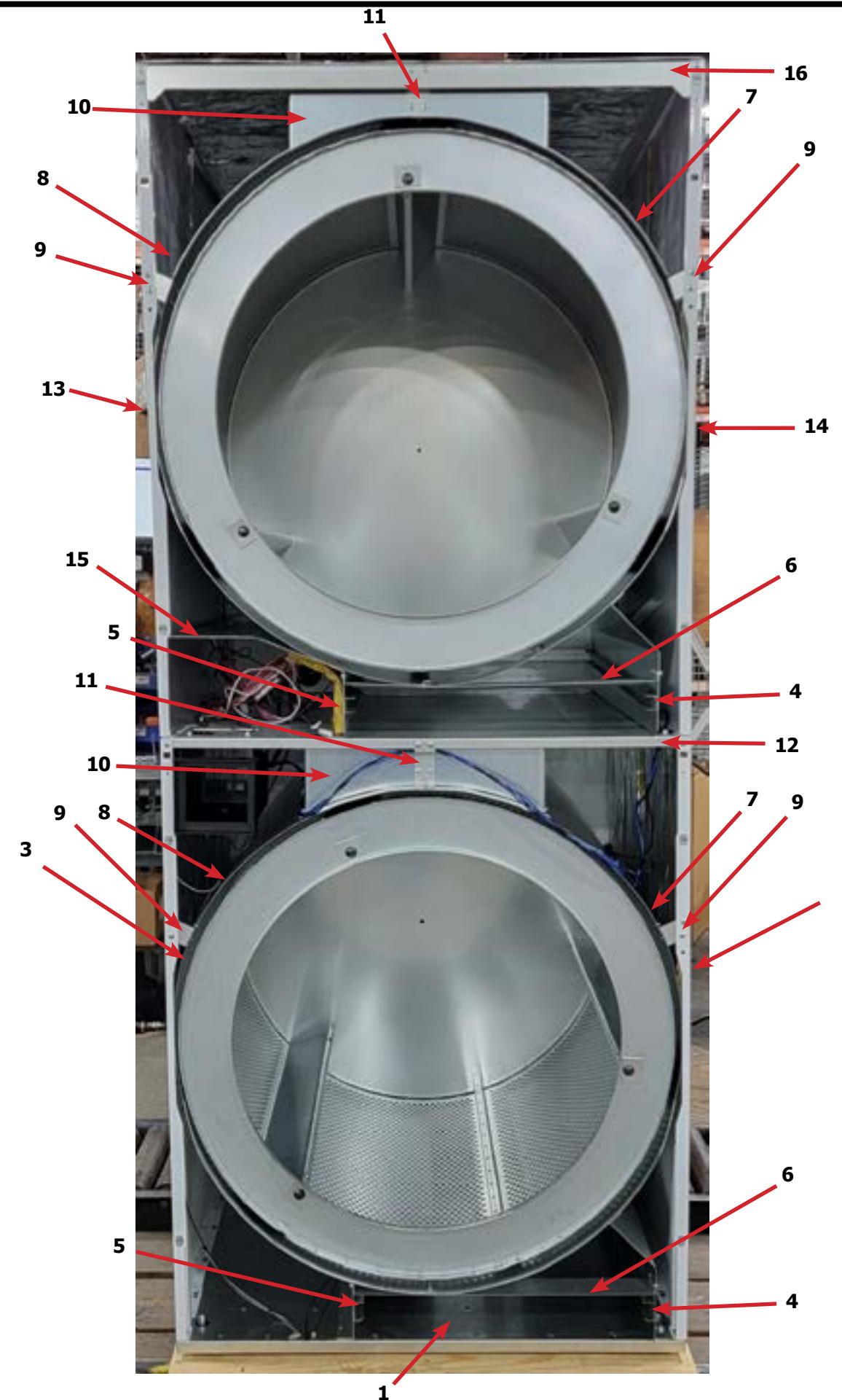
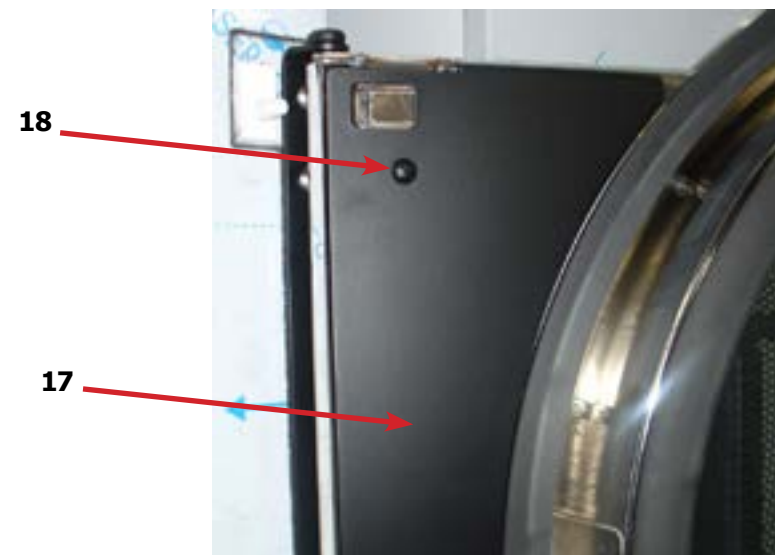
Cabinet Parts Group Continued

Key	Description	T-30X2	T-50X2	QTY
17	Nameplate, Blue	9412-271-002	9412-271-002	1
17	Nameplate, Black	9412-271-001	9412-271-001	1
18	Lint Drawer Assembly, Blue	9866-010-001	9866-011-001	2
18	Lint Drawer Assembly, Black	9866-010-002	9866-011-002	2
19	Overlay Trim, Lint Drawer, Blue	9435-003-009	9435-024-001	2
19	Overlay Trim, Lint Drawer, Black	9435-029-001	9435-024-002	2
*	Felt Seal (Back of Lint Screen)	9532-143-001	9532-143-001	2
*	Lint Screen Assembly (No Front)	9805-041-001	9805-042-001	2
*	Replacement Lint Screen Only	9555-057-002	9555-057-008	2
20	Lock and Key, Lint Drawer	8650-012-004	8650-012-004	2
*	Key 6101 only	6292-006-010	6292-006-010	2
*	Cam, Lock	9095-052-001	9095-052-001	2
*	Lint Screen Strap Hold Down Screws 10Bx 1/4	9545-008-001	9545-008-001	32
21	Controls Assy, Blue	9857-290-001	9857-290-001	1
21	Controls Assy, Black	9857-290-002	9857-290-002	1
*	Harness, Control/Graphic	9627-922-003	9627-922-003	1
22	Lock and Key, Control	8650-012-003	8650-012-003	1
*	Cam, Lock	9095-041-001	9095-041-001	1
*	Key only 6324	6292-006-007	6292-006-007	1
23	Sensor Temp Control	9501-006-002	9501-004-004	1
24	Mounting Bracket, Heat Sensor (Under Basket)		9985-188-001	1
*	Screw, Round Head (Mounts sensor; phillips head)		9545-045-005	1
*	Grommet, 3/16 ID		9209-037-002	1
*	Leg, Leveling 1/2"	8544-006-001	8544-006-001	4
*	Leveling Leg Wrench			
*	Cover, Cabinet (Top)	9074-365-001	9074-320-001	1
*	Insulation Cabinet Cover	9277-041-011	9277-041-017	1
*	LP Kit			1
*	Stack Dryer Trunnion Puller			1
25	Vault, Coin Box	9942-038-005	9942-038-005	1
*	Plate, Mounting-Coin Vault	9982-338-001	9982-338-001	1
*	Nuts, Mounting Plate-Coin Vault	8640-413-004	8640-413-004	2
*	Screws, Mounting-Coin Vault	9545-008-024	9545-008-024	2
26	Coin Box Assy, Large Blue			
26	Coin Box Assy, Large Black			



Cabinet Parts Group Continued

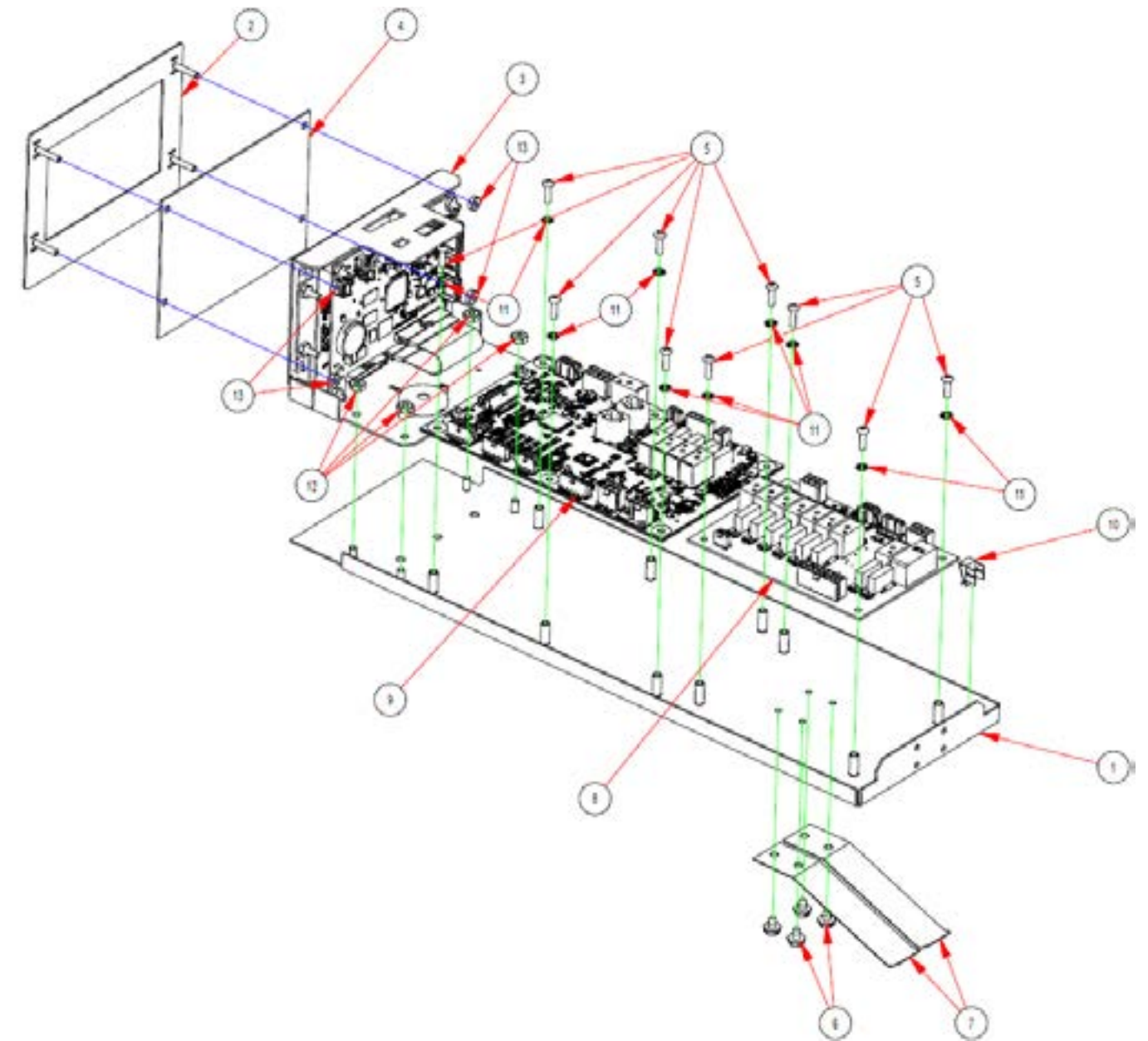
Key	Description	T-30X2	T-50X2	QTY
1	Cabinet Base Assembly	9945-167-001	9945-168-001	1
*	Back Panel Assembly	9989-732-002	9989-735-002	2
2	Lower RH Side Panel Assembly	9989-733-003	9989-736-003	1
3	Lower LH Side Panel Assembly	9989-733-004	9989-736-004	1
4	RH Lint Rail Guide Assembly	9750-021-001	9750-023-001	2
5	LH Lint Rail Guide Assembly	9750-022-001	9750-024-001	2
6	Lower Baffle Brace	9046-106-001		2
7	RH Baffle	9049-131-001	9049-133-001	2
8	LH Baffle	9049-132-001	9049-134-001	2
*	Baffle Reinforcement w/ Thermistor Mount	9489-060-001		2
*	Baffle Reinforcement	9489-059-001	9489-062-001	6
9	Angled Baffle Bracket	9029-371-001	9029-371-001	4
10	Heat Chamber Assembly	9870-102-001	9870-103-001	2
11	Heat Chamber Bracket	9029-373-001		2
12	Intermediate Panel	9444-116-001	9989-737-001	1
13	RH Side Panel	9444-115-003	9989-736-003	1
14	LH Side Panel	9444-115-004	9989-736-004	1
15	Controls Wrapper	9636-252-001	9636-253-001	1
16	Top Cabinet Brace	9046-107-001	9046-108-001	1
*	Rivet-Blind 3/16 Steel	9491-009-001		202
*	Rivet-Blind 3/16 Steel		9491-009-001	220
*	Rivet-Blind 3/16 White Painted	9491-009-005		52
*	Screw-10abx3/8	9545-008-024		15
*	Screw-10abx3/8		9545-008-024	9
17	Black Hinge Cover	9074-341-002	9074-340-002	2
18	Screw	9545-008-010	9545-008-010	4
19	Door Switch	9539-487-001	9539-487-001	2



Controls Parts Group

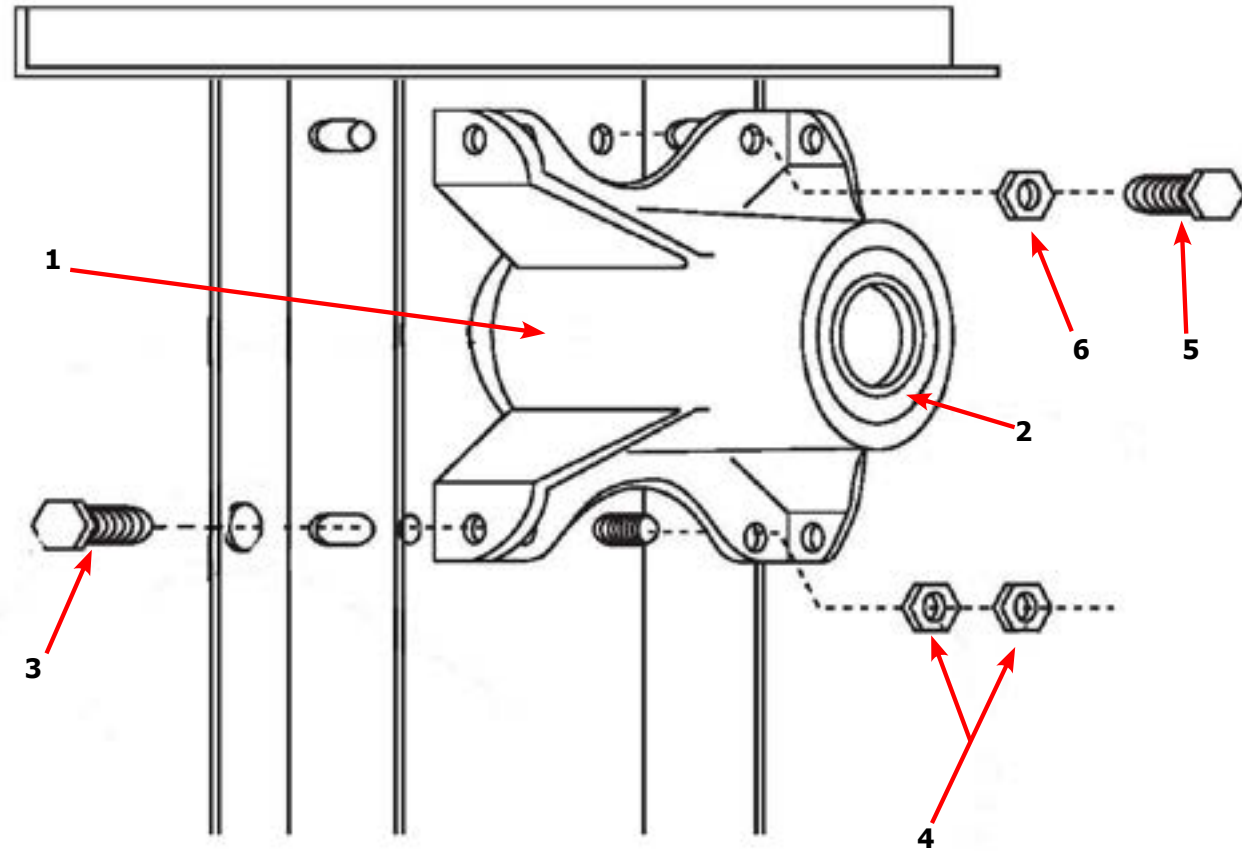
Key	Description	T-30X2	T-50X2	QTY
1	Plate Assembly-Touch, Tray	9982-403-001	9982-403-001	1
2	Front Assembly-Control, Touch	9974-025-001	9974-025-001	1
3	Control Assembly-Display 5" TS	9857-288-002	9857-288-002	1
4	Window-5" Protector, Display	9635-024-001	9635-024-001	1
5	Screw-PNHDCR, 6-32	9545-044-010	9545-044-010	10
6	Screw-HXWSHDSL,#10BX0.25	9545-008-001	9545-008-001	4
7	Spring-Flat Controls Assembly	9534-365-001	9534-365-001	2
8	PCB Assembly-Relay	9474-011-001	9474-011-001	1
9	PCB Assembly-Main Control	9474-010-001	9474-010-001	1
10	Terminal-Grounding Clip	8652-130-038	8652-130-038	1
11	Lockwasher-External Tooth #6	8641-582-005	8641-582-005	10
12	Nut-HEXKEPS,#8-32	8640-412-005	8640-412-005	4
13	Nut-HEXKEPS,#6-32	8640-411-003	8640-411-003	4

Control Parts Group



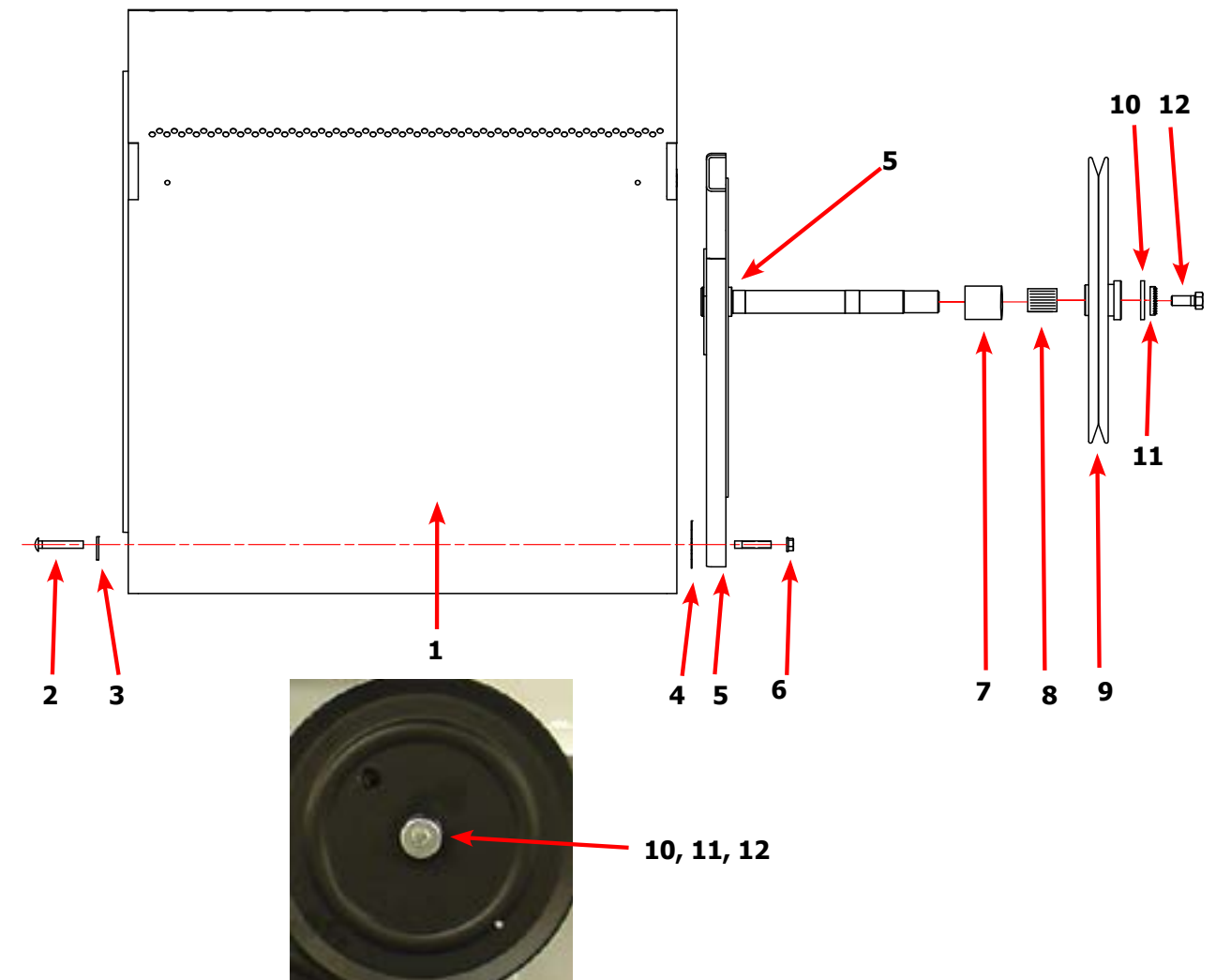
Bearing Housing Parts Group

Key	Description	T-30X2	T-50X2	QTY
*	Bearing Housing Complete Assy (Includes bearings & Spacer)	9803-160-003	9803-201-001	1
1	Housing, Bearing	9241-161-002	9241-189-002	1
*	Bearing, Ball, Front	9036-130-001	9036-159-001	1
*	Spacer, Bearing	9538-139-002	9538-183-001	1
2	Bearing, Ball, Rear	9036-130-001	9036-159-003	1
3	Screw	9545-049-002	9545-017-017	4
4	Nut	8640-400-002	8640-417-002	4
5	Screw	9545-049-001	9545-017-018	2
6	Nut, 3/8-24	8640-415-002		2
*	Shim, Tumbler	9538-139-002		AR



Tumbler Parts Group

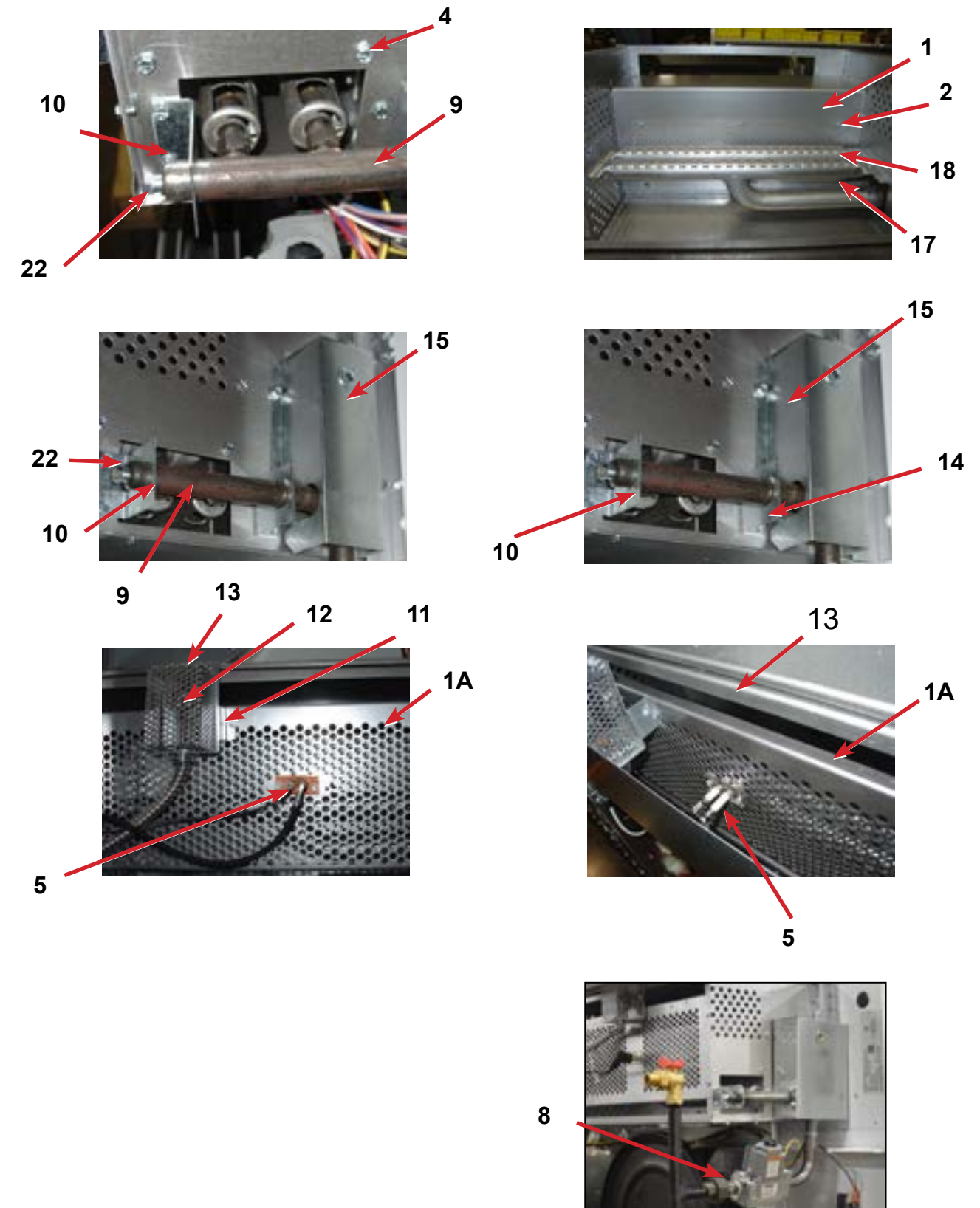
Key	Description	T-30X2	T-50X2	QTY
*	Tumbler Assy Complete W/Spider (GALV)	9848-147-001	9848-149-001	2
*	Tumbler Assy Complete W/Spider (SS & Galv front)	9848-142-002	9848-149-002	2
1	Tumbler Assy (Galvanized)	9848-146-001	9848-148-001	2
1	Tumbler Assy (Stainless Galvanized front)	9848-146-002	9848-148-002	2
2	Rod, Tumbler	9497-019-003	9497-226-002	6
3	Washer, Special	8641-554-001	8641-590-002	6
4	Shim	9552-013-003	9552-013-003	AR
5	Spider Assy	9568-015-001	9568-013-001	2
6	Nut	8640-415-004	8640-417-005	6
7	Spacer-Shaft	9538-164-002		2
8	Tolerance Ring	9487-234-005		2
9	Pulley, Driven	9908-049-002		2
10	Washer -Flat	8641-581-026		2
11	LockWasher - IntTooth, 1"	8641-582-016		2
12	Screw, 1/2-13x1 1/4	9545-017-009		2



Burner Housing Parts Group

Key	Description	T-30X2	T-50X2	QTY
*	Housing Assembly, Burner	9803-229-001	9803-207-001	2
1a	Panel, Back Burner Housing	9454-991-001	9454-992-001	2
1	Service Plate baffle Recirculation Chamber Clean Out	9452-850-001	9452-729-001	2
*	Screws	9545-008-006	9545-008-006	8
2	Screw	9545-008-001	9545-008-001	16
18	Angle, Burner Support	9003-220-001	9003-220-001	2
*	Screw	9545-008-006	9545-008-006	4
17	Burner, Main	9048-020-001	9048-020-002	4
*	Screw 10AB x 3/8"	9545-008-006	9545-008-006	4
4	Screw 10B x 1/4"	9545-008-001	9545-008-001	8
5	Electrode Assy, Ignition	9875-002-003	9875-002-003	2
19	Screw, Electrode Mtg 8B x 1/4"	9545-045-001	9545-045-001	4
7	Valve, Gas Shut Off (Optional)	9379-196-001	9379-186-001	1
8	Control Assy, Gas White Rogers (60Hz Only)	9857-192-001	9857-192-001	2
9	Manifold, Assy	9381-012-001	9381-012-001	2
*	Orifice, Burner-Natural	9425-069-023	9425-069-021	4
*	Orifice, Burner-LP	9425-069-024	9425-069-022	4
*	Orifice, Burner (50Hz Only)	9425-069-009	9425-069-009	4
10	Bracket, Manifold	9029-175-001	9029-175-001	2
22	Pipe Plug in end of Burner Manifold	8615-104-038	8615-104-038	2
*	Screw	9545-008-006	9545-008-006	4
12	Thermostat, Hi-Limit	9576-203-002	9576-203-002	2
*	Spacer, Hi-Limit	9538-142-001	9538-142-001	4
*	Screw 8B x 3/4"	9545-045-007	9545-045-007	4
13	Cover, Hi-Limit Stat Ignitor	9074-329-001	9074-329-001	2
*	Screw	9545-008-006	9545-008-006	6
*	Thermostat, Safety Shutoff	9576-207-008	9576-207-008	2
*	Screw	9545-008-006	9545-008-006	4
15	Cover, Safety Stat	9825-061-001	9825-062-001	2
*	Screw	9545-008-024	9545-008-024	6
*	Gas Pipe Assembly	9838-023-002	9838-023-003	1
*	Gas Pipe Assembly (50Hz Only -39 Model)	9838-021-002	9838-022-002	1
*	Gas Pipe Assembly (50Hz Only -59 Model)	9838-021-003	9838-022-003	1
*	Kit, LP Conversion (White Rogers) (60Hz Only)	9732-102-044	9732-102-045	2
*	Kit, LP Conversion White Rodgers (50Hz Only)	9732-102-041	9732-102-042	2
*	Fitting - 1/2 NPT Union Adapter	8615-120-001	8615-120-001	1

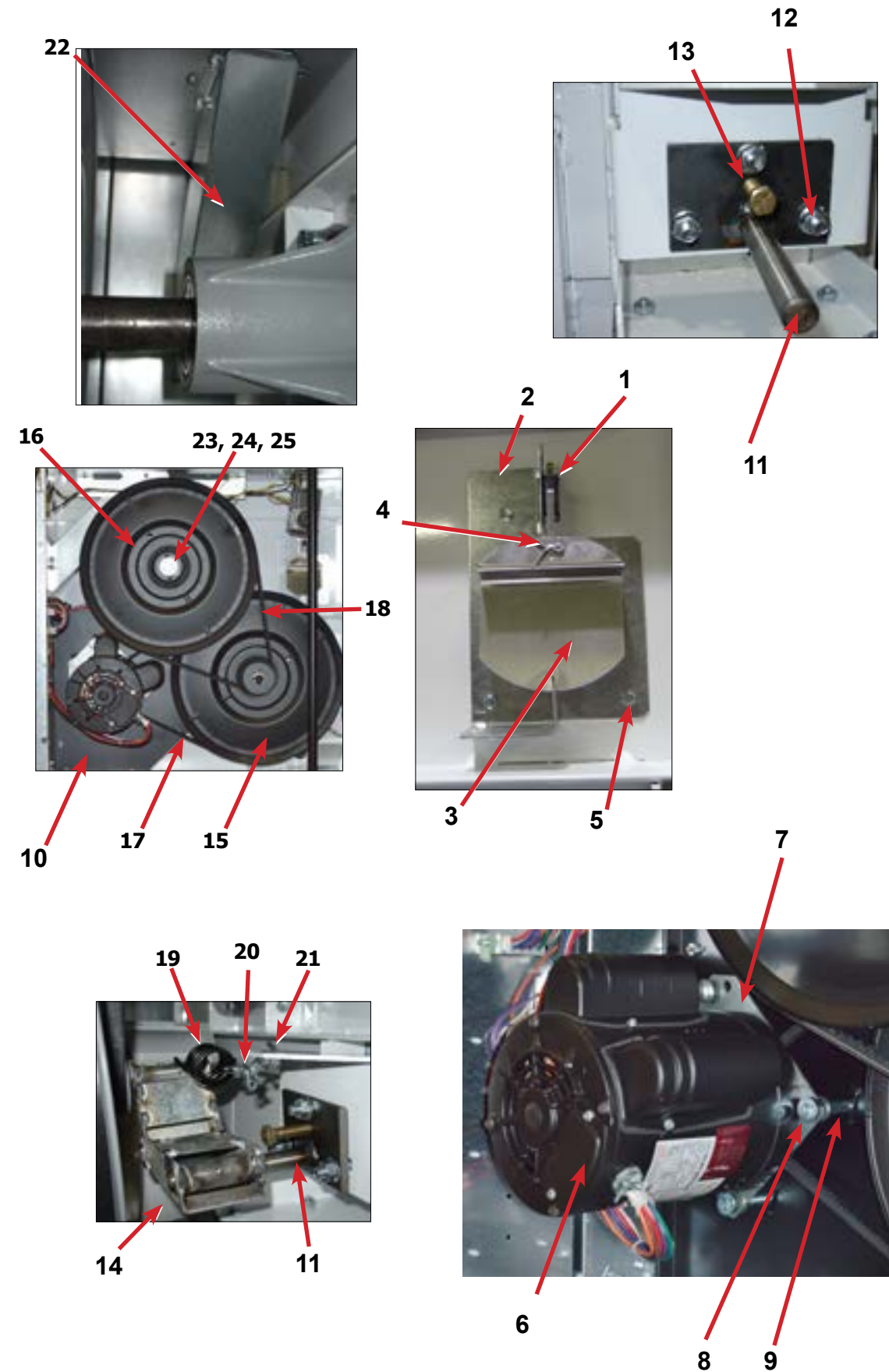
Burner Housing Parts Group



Rear View Parts Group - Non-Reversing Only

Key	Description	T-30X2	T-50X2	QTY
*	Wire Harness Overtemperature Switch/Air Switch	9627-861-001	9627-861-001	2
*	Switch Assy, Air Flow	9801-098-001	9801-098-001	2
*	Switch Assy, Air Flow (50Hz ONLY)	9801-095-001	9801-098-002	2
1	Switch, Air Flow	9539-461-009	9539-461-009	2
2	Bracket, Switch- Air Flow	9029-200-001	9029-200-001	2
2	Bracket, Switch-Air Flow (50Hz ONLY)	9029-174-001	9029-200-002	2
3	Actuator, Switch	9008-007-001	9008-007-001	2
4	Pin, Cotter	9451-169-002	9451-169-002	2
5	Screw 4-40 x 5/8"	9545-020-001	9545-020-001	4
*	Nut, Special Twin .#4-40	8640-401-001	8640-401-001	2
*	Shield, Switch	9550-169-003	9550-169-003	2
6	Motor, Drive	9376-322-001	9376-322-001	2
*	Motor Kit	9732-205-027	9732-205-027	1
*	Run Capacitor	5191-108-002	5191-108-002	1
*	Start Capacitor	5191-109-002	5191-109-002	1
7	Plate, Motor Mounting	9452-770-001	9452-770-001	1
*	Bolt 3/8" - 16 x 3/4"	9545-029-008	9545-029-008	8
*	Lockwash Spring 3/8	8641-582-003	8641-582-003	8
8	Screw, Motor Plate to Back Assy. 1/4-20x 2 1/2	9545-018-019	9545-018-019	8
*	Lockwasher 1/4	8641-582-007	8641-582-007	8
9	Spacer	9538-163-006	9538-163-006	8
*	Flat Washer 1/4 x 7/8	8641-581-017	8641-581-017	24
*	Rubber Grommet	9209-086-002	9209-086-002	8
*	Grommet Spacers	9538-166-006	9538-166-006	8
*	Screw, Set	9545-028-013	9545-028-013	4
10	Back Assy, Blower Hsg	9962-018-002	9962-018-002	2
11	Support Assy, Intermed. Pulley	9991-053-001	9991-053-001	2
12	Bolt, Rd Hd 3/8-16 x 1 1/4	9545-029-010	9545-029-010	6
12	Nut Flange Wizlock 3/8" - 16	8640-415-004	8640-415-004	6
12	Washer, Flat	8641-581-035	8641-581-035	6
13	Bolt, 3/8-16 x 1 1/2	9545-029-003	9545-029-003	2
14	Arm Assy-Tension, Complete	9861-022-001	9861-022-001	2
*	Ring-Retaining	9487-200-003	9487-200-003	6
15	Pulley Assy, Intermediate with bronze flange bearing	9908-048-003	9908-048-003	2
*	Bronze Flange Bearing	9036-145-002	9036-145-002	4
16	Pulley Driven Tumbler	9908-047-002	9908-047-002	2
17	Belt, Drive Motor	9040-076-009	9040-076-009	2
18	Belt, Driven Intermediate to Tumbler	9040-073-011	9040-073-011	2
19	Spring, Tension	9534-151-000	9534-151-000	2
20	Chain, Tension	9099-012-005	9099-012-005	2

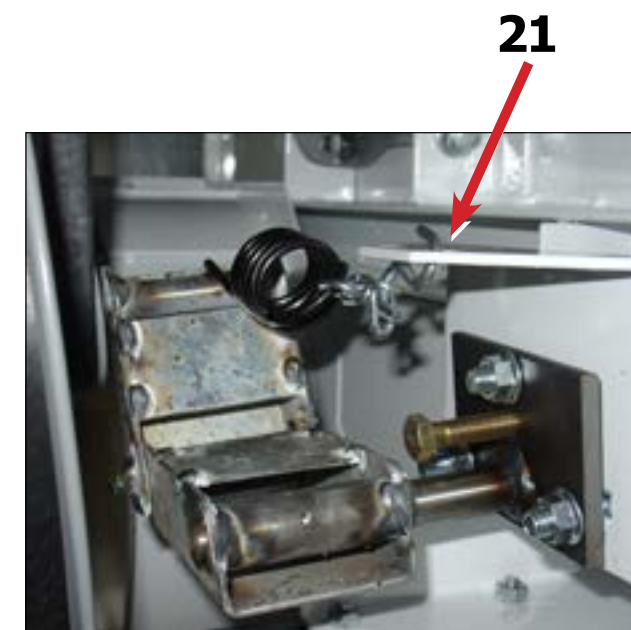
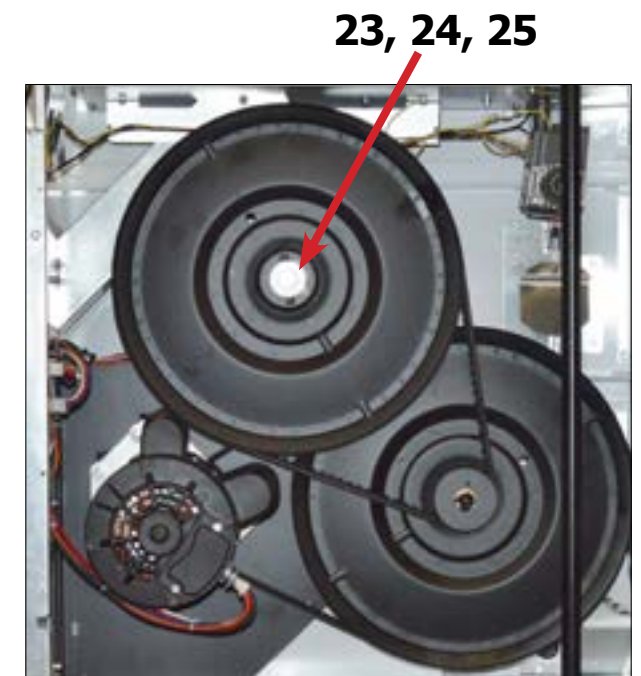
Rear View Parts Group - Non-Reversing Only



Rear View Parts Group - Non-Reversing Only Continued

Key	Description	T-30X2	T-50X2	QTY
21	Hook, Tension	9248-022-002	9248-022-002	2
*	Pin, Damper Hinge	9451-146-001	9451-146-001	2
*	Cover Duct Upper	9074-334-001	9074-334-001	1
22	Heat Recirculation Assembly Duct	9973-032-001	9973-032-001	2
*	Motor Pulley - Driver	9453-169-013	9453-169-013	1
*	Set Screws	9545-028-013	9545-028-013	2
*	Impeller	9278-043-001	9278-043-001	2
23	Washer, Flat 1/2" for Tumbler Pulley	8641-581-026	8641-581-026	2
24	Bolt, 1/2"-13 x 1 1/4	9545-017-009	9545-017-009	2
25	Washer, Star 1/2" for Tumbler Pulley	8641-582-016	8641-582-016	2
*	Screw 10 Bx 1/4"	9545-008-001	9545-008-001	6
*	Bolt, 5/16-18 x 5/8"	9545-014-004	9545-014-004	8
*	Nut, 5/16-18	8640-400-003	8640-400-003	8
*	Spacer, Shaft	9538-184-001	9538-184-001	2
*	Ring Tolerance	9487-234-005	9487-234-005	2
*	Damper Inside Duct Exhaust	9125-007-001	9125-007-001	2
*	Damper Inside Duct Exhaust	9125-007-002	9125-007-002	1
*	Nut, Spring	8520-141-000	8520-141-000	4
*	Cover Duct Lower	9074-335-001	9074-335-001	1
*	Screw 10ABx 3/8"	9545-008-024	9545-008-024	72
*	Bracket for Wire Harness Under Burner Housing	9029-173-001	9029-173-001	2

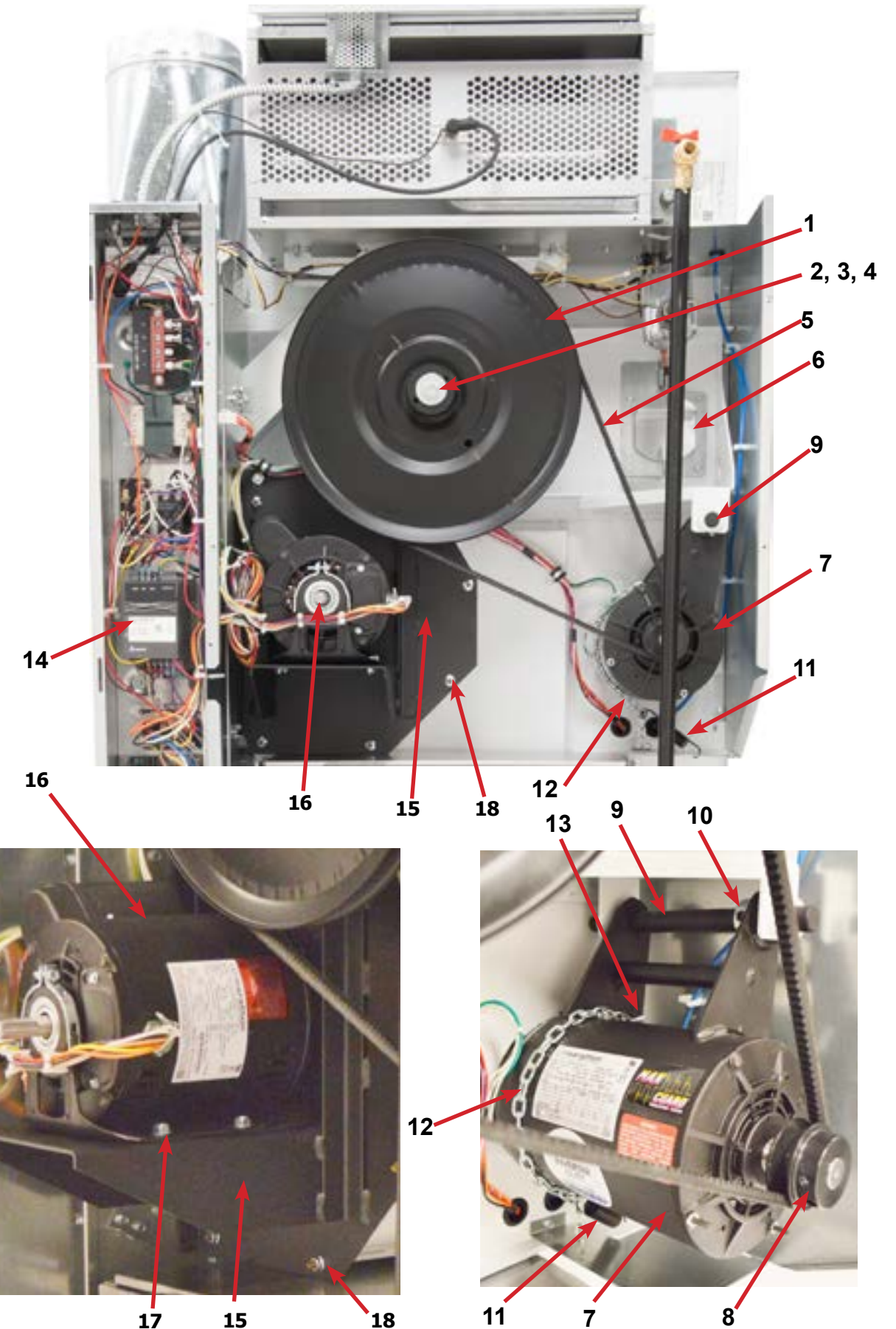
Rear View Parts Group - Non-Reversing Only



Rear View Parts Group - Reversing Only

Key	Description	T-30X2-11 Rev	T-50X2-11 Rev	QTY
*	Spacer, Tumbler pulley	9538-193-001	9538-047-002	2
1	Pulley, Driven	9908-049-002	9908-047-002	2
*	Tolerance Ring	9487-234-005	9487-234-005	2
2	Washer-Flat, 1/2"	8642-581-026	8641-581-026	2
3	Lock Washer, 1/2"	8641-582-016	8641-582-016	2
4	Bolt, 1/2"-13 x 1" 1/4"	9545-017-019	9545-017-009	2
5	Belt, Drive	9040-076-004	9040-076-003	2
6	Air Flow Switch, Assembly	9801-095-001	9801-098-001	2
7	Motor-Drive, 2Hp.	9376-319-001	9376-319-001	2
8	Pulley-Motor, Drive	9453-169-012	9453-169-012	2
*	Screw-Set, 5/16"-18 x 1/2"	9545-028-013	9545-028-013	4
9	Rod-Motor Mounting	9497-222-008	9497-222-008	2
*	Bushing, Motor Support	9053-074-002	9053-074-002	4
10	Collar-Shaft, w/Set Screw	9076-052-002	9076-052-002	2
11	Spring, Belt Tension	9534-319-002	9534-319-002	2
12	Chain, Spring Tension, 15 1/2" (27 Links)	9099-012-002	9099-012-008	2
13	Hook, "S" Hook	9248-022-002	9248-022-002	2
14	Drive-VF, Inverter, 2Hp 230V	9375-034-031	9375-034-032	2
15	Plate Assembly, Impeller-Blower Motor	9982-404-002	9982-388-002	2
16	Motor, Blower	9376-332-001	9376-311-005	2
17	Bolt-Motor Mounting, 5/16, 18 x 5/8"	9545-014-004	9545-014-004	8
*	Nut, 5/16"-18	8640-400-003	8640-400-003	8
*	Impeller, w/Set Screws	9278-040-001	9278-043-001	2
18	Nut-1/4" x 20, Mounting Plate, Impeller Motor Assy.	8640-414-007	8640-414-007	14
*	8" Slide Open Clean Out Duct (Optional)	9973-034-001	9973-034-001	1

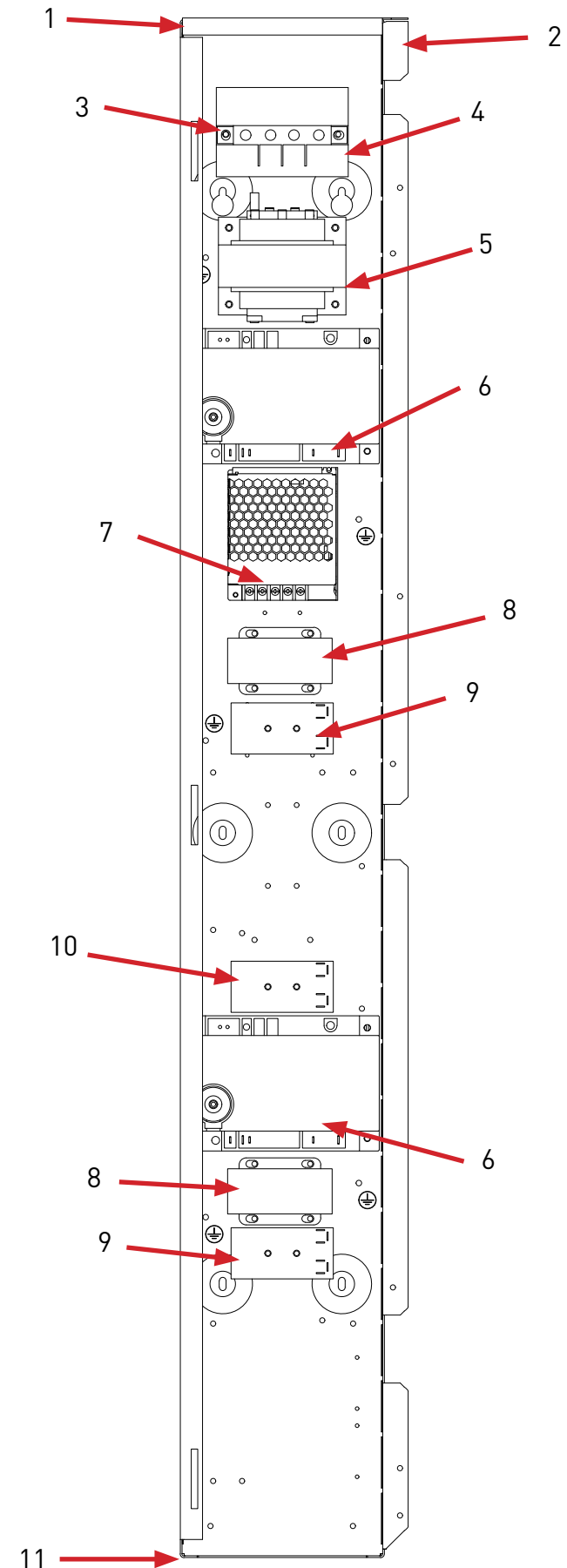
Rear View Parts Group - Reversing Only



Control Assembly Parts Group - Non-Reversing Only

Key	Description	T-30X2	T-50X2	QTY
*	Complete Control Assembly	9857-291-001	9857-292-001	1
*	Complete Control Assembly [50HZ]	9857-291-003	9857-292-003	1
1	Control Box Top Panel	9454-930-001	9454-930-001	1
2	Control Box Wrapper	9636-251-001	9636-251-001	1
3	Main Power Terminal Block	9897-035-001	9897-035-001	1
4	Terminal Marker	9558-029-003	9558-029-003	1
4	Terminal Marker [50HZ Only]	9558-029-004	9558-029-004	1
5	Transformer	8711-013-001	8711-013-001	1
5	Transformer [50HZ Only]	8711-004-004	8711-004-004	1
6	Ignition Control Module	9857-182-001	9857-182-001	2
7	DC Power Supply	9150-054-001	9150-054-001	1
8	Motor Relay	5192-299-002	5192-299-002	2
9	Terminal Block	9897-026-001	9897-026-001	1
10	Terminal Block	9897-026-002	9897-026-002	1
*	Power Block Bracket	9029-202-001	9029-202-001	1
11	Control Box Bottom Panel	9454-827-001	9454-827-001	1
*	Screw, 10abx3/8	9545-008-024	9545-008-024	18
*	Wire Assembly-Grn/Yel	8220-137-002	8220-137-002	1
*	Screw, 10-32tx1/2grn	9545-008-027	9545-008-027	3
*	Lockwasher	8641-582-006	8641-582-006	3
*	Screw, panhdc, #8abx1/2	9545-045-012	9545-045-012	10
*	Screw, hxwshd, 10abx3/4	9545-008-018	9545-008-018	4
*	High Voltage Wire Assembly	9631-403-009	9631-403-009	2
*	Ignition Control Wiring Harness	9627-867-017	9627-867-017	1
*	Ignition Control Wiring Harness	9627-867-018	9627-867-018	1
*	Fuse, 1.5amp	8636-018-001	8636-018-001	2
*	Fuse, 2.5amp	8636-018-004	8636-018-004	1
*	Fuse Holder Assembly	9200-001-002	9200-001-002	3
*	Wire Assembly, wht/org	8220-062-065	8220-062-065	1
*	Wire Assembly, wht/org	8220-062-055	8220-062-055	1
*	Wiring Harness-pwr, main, fork	9628-018-004	9628-018-004	1
*	Wiring Harness-Power, relay	9627-919-005	9627-919-005	1
*	Wiring Harness, Motor Extension	9627-864-006	9627-864-006	2
*	Screw-pnhdc, 6bx3/8	9545-031-005	9545-031-005	4
*	Wiring Harness-power, main, flag	9628-018-003	9628-018-003	1
*	Wire Assembly-org	8220-062-052	8220-062-052	1
*	Screw-pnhdc, 6abx3/4	9545-031-010	9545-031-010	2
*	Wiring Harness-Lower Gas/Blower	9628-019-002	9628-019-002	1
*	Wire Assembly-blk/brn	8220-146-011	8220-146-011	1
*	Wire Assembly-blk/brn	8220-146-008	8220-146-008	1

Control Assembly Parts Group



Control Assembly Parts Group - Reversing Only

Key	Description	T-30X2 Rev	T-50X2 Rev	QTY
*	Complete Control Assembly	9857-291-002	9857-292-002	1
*	Complete Control Assembly [50HZ]	9857-291-004	9857-292-004	1
1	Control Box Top Panel	9454-930-001	9454-930-001	1
2	Control Box Wrapper	9636-258-001	9636-258-001	1
3	Main Power Terminal Block	9897-035-001	9897-035-001	1
4	Terminal Marker	9558-029-005	9558-029-005	1
4	Terminal Marker [50HZ Only]	9558-029-004	9558-029-004	1
5	Transformer	8711-013-001	8711-004-004	1
5	Transformer [50HZ Only]	8711-004-004	8711-004-004	1
6	Ignition Control Module	9857-182-001	9857-182-001	2
7	DC Power Supply	9150-054-001	9150-054-001	1
8	Motor Relay	5192-299-002	5192-299-002	2
9	Terminal Block	9897-026-002	9897-026-001	1
*	Power Block Bracket	9029-202-001	9029-202-001	1
10	VFD	9375-034-031	9375-034-032	2
11	Braking Resistor, 200 Ohm	9483-004-002	9483-004-002	2
12	Control Box Bottom Panel	9454-827-001	9454-827-001	1
13	Terminal Block	9897-026-003	9897-026-003	1
*	Screw, 10abx3/8	9545-008-024	9545-008-024	18
*	Wire Assembly-Grn/Yel	8220-137-002	8220-137-002	1
*	Screw, 10-32tx1/2grn	9545-008-027	9545-008-027	3
*	Lockwasher	8641-582-006	8641-582-006	3
*	Screw, panhdcr,#8abx1/2	9545-045-012	9545-045-012	10
*	Screw, hxwshd,10abx3/4	9545-008-018	9545-008-018	4
*	High Voltage Wire Assembly	9631-403-009	9631-403-009	2
*	Ignition Control Wiring Harness	9627-867-015	9627-867-015	1
*	Ignition Control Wiring Harness	9627-867-016	9627-867-016	1
*	Fuse, 1.5amp	8636-018-001	8636-018-001	2
*	Fuse, 2.5amp	8636-018-004	8636-018-004	1
*	Fuse Holder Assembly	9200-001-002	9200-001-002	3
*	Wire Assembly, wht/org	8220-062-065	8220-062-065	1
*	Wire Assembly, wht/org	8220-062-055	8220-062-055	1
*	Wiring Harness-pwr, main, fork, upr	9628-018-001	9628-018-001	1
*	Wiring Harness-power, main,frk,lwr	9628-018-002	9628-018-002	1
*	Wire Assembly-org	8220-062-052	8220-062-052	1
*	Screw-pnhdcr,6abx3/4	9545-031-010	9545-031-010	2
*	Wiring Harness-Lower Gas/Blwr/VFD	9628-019-001	9628-019-001	1
*	Wire Assembly-blk/brn 9"	8220-146-011	8220-146-011	1
*	Wire Assembly-blk/brn 15"	8220-146-008	8220-146-008	1
*	Wire Assembly-blk/org 9"		8220-146-009	1
*	Wire Assembly-blk/org 15"		8220-146-012	1
*	Wire Assembly-violet	8220-118-003	8220-118-003	4
*	Wire Assembly-brn	8220-058-035	8220-058-035	1
*	Wire Assembly-org/grn	8220-064-067	8220-064-067	2
*	Wiring Harness-Power, relay	9627-919-004	9627-919-004	1
*	Wiring Harness-Power,main,flag	9628-018-003	9628-018-003	1
*	Wiring Harness-Motor Extension	9627-864-006		1

Control Assembly Parts Group

