



Section 6: Parts Data

DDAD30KC -65

Part # 8533-061-001 9/21

53

Kits, Assemblies, & Common Parts

Description	Part Number
LINER-BAFFLE,RIGHT(DDAD30),PTD	9354-011-002
LINER-BAFFLE,LEFT(DDAD30),PTD	9354-012-002
DDAD Motor Kit	9732-205-002
Kit - 9568-015-001 w/ bearings & tolerance ring (After Serial)	9732-330-001
Kit - A to C series Conversion, Black, 120v	9732-307-002
Kit - A to C series Conversion, Blue, 120v	9732-307-001
Manual start kit for Dexter stack dryer	9732-169-001
LP to NG Conversion Kit for 9857-134-001 & -002	9732-142-002
Coin Acceptor switch kit w/ extra actuator	9732-126-001
Kit - 8650-012-004 Lock with spacer	9732-344-002
Temperature Probe (Before Serial #200588)	9501-004-003
Temperature Probe (After Serial #200588)	9501-006-001
Controls Blue	9857-147-010
Controls Black	9857-147-014
Coin Drop Complete	9021-001-010
Coin Drop Switch/Optical Sensor	9732-126-001
Coin Drop Screws	9545-053-002
Ignition Control Box	9857-116-003
Electrode Assembly, Ignition	9875-002-003
Thermostat, Hi-Limit	9576-203-002
Thermostat, Overtemp	9576-207-008
Fuseholder	9200-001-002
Fuse	8636-018-001
Motor Run Relay (Before Serial #217612)	5192-298-001
Motor Run Relay (After Serial #217612)	5192-299-001
Transformer, Ignition (DDAD)	8711-011-001
Lint Screen 15/18 by 15/18 .010 Wire	9555-057-002
Air Flow Switch	9539-461-009
Door Switch	9539-487-001
Motor Belt	9040-077-001
Tumbler Belt	9040-073-009
Tension Arm Complete	9861-022-001
Spider/Trunnion (Before Serial #226213)	9568-011-001
Spider/Trunnion (After Serial #226213)	9538-015-001
Door Handle	9244-082-001
Run Capacitor	5191-107-001
Cleanout Duct Assembly 8"	9973-034-001

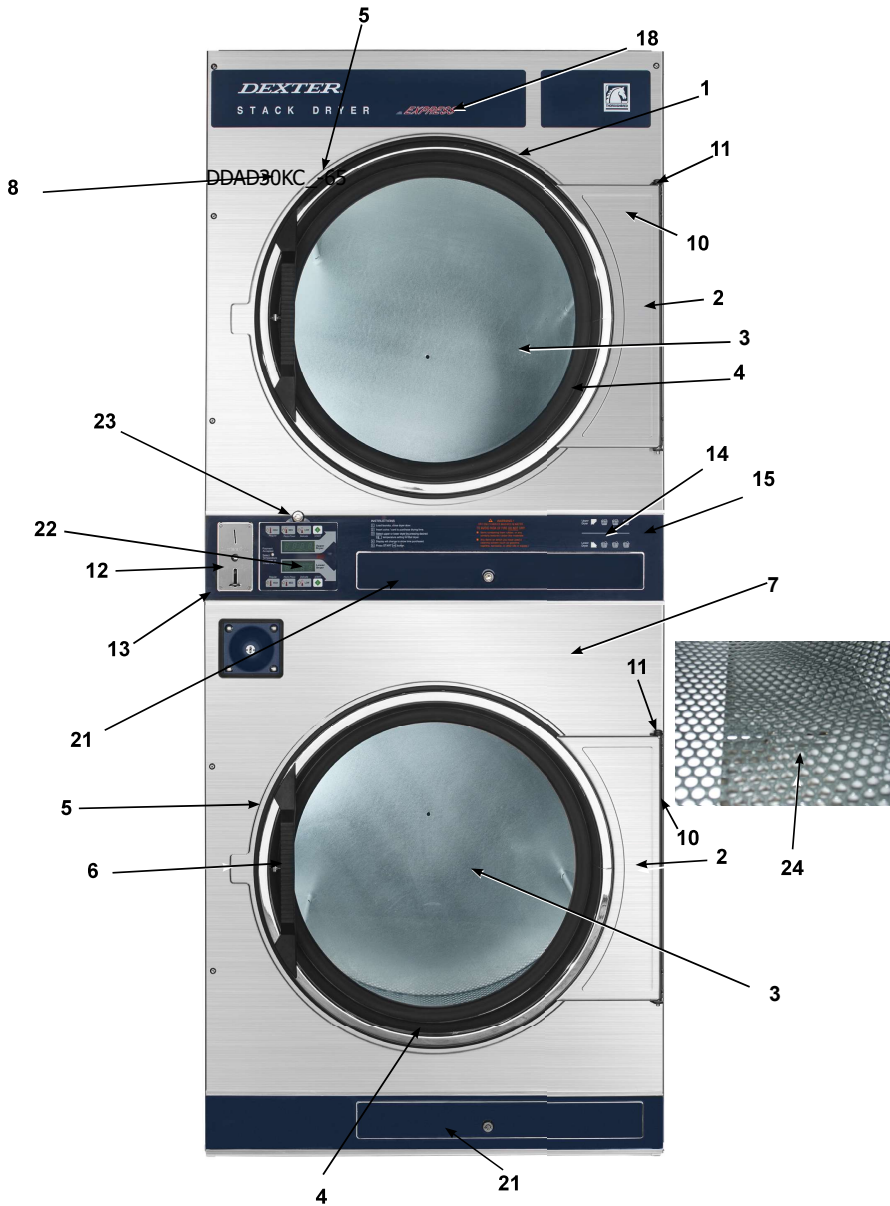
54

Part # 8533-061-001 9/21

Parts Data

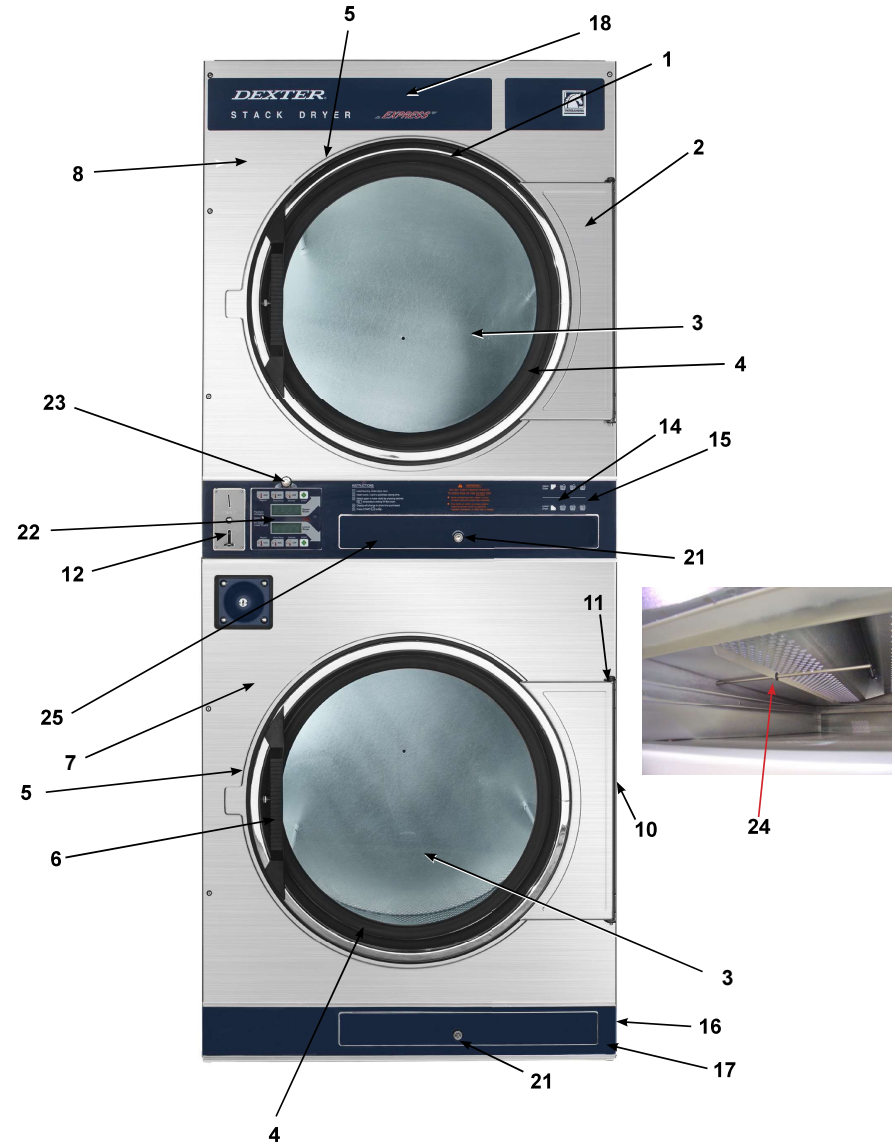
Cabinet Group

Key	Part Number	Description	Quantity
*	9960-256-033	Door Assy., Loading Complete-Alm	2
*	9960-256-032	Door Assy., Loading Complete-Wht	2
*	9960-256-034	Door Assy., Loading Complete-SS	2
*	9960-256-035	Door Assy., Loading Complete-Chrome SS/CHR/BLK	2
1	9960-255-008	Door Assy., Loading-SS(ring only)	2
1	9960-255-016	Door Assy., Loading-Chrome(ring only)	2
2	9982-280-215	Plate Assy., Hinge (Alm) No Pin	2
2	9982-280-014	Plate Assy., Hinge (Wht) No Pin	2
2	9982-280-012	Plate Assy., Hinge (SS) No Pin	2
*	9545-012-015	Screw, Hinge to Door	8
*	8640-413-002	Nut, Hinge to Door	8
3	9212-002-003	Glass, Door	2
4	9206-164-009	Gasket, Glass, Gray	2
4	9206-413-001	Gasket, Glass, Black	2
*	9548-117-000	Support, Door Glass	2
5	9206-420-002	Gasket, Outer Rim Gray	2
5	9206-420-003	Gasket, Outer Rim Black	2
6	9244-082-001	Handle, Loading Door	2
*	9545-018-017	Screw, Handle 1/4-20 x 3/8	2
*	9531-033-001	Stud, Door Catch	2
*	8640-413-001	Nut, Hex	2
*	8640-413-003	Nut, Acorn	2
*	9086-015-002	Catch, Loading Door	2
*	8638-190-009	Pop Rivet for mtg. catch	4
*	8641-582-006	Lockwasher	4
*	8640-399-001	Spring Nut	6
7	9989-516-009	Panel Assy., Front- Lower (Alm)	1
7	9989-516-008	Panel Assy., Front- Lower (Wht)	1
7	9989-516-007	Panel Assy., Front- Lower (SS)	1
7	9989-532-003	Panel Assy., Front- Lower (Wht) (LRG Vault From #222035)	1
7	9989-532-001	Panel Assy., Front- Lower (SS) (LRG Vault From #222035)	1
8	9989-516-003	Panel Assy., Front- Upper (Alm)	1
8	9989-516-002	Panel Assy., Front- Upper (Wht)	1
8	9989-516-001	Panel Assy., Front- Upper (SS)	1
*	9545-008-020	Screw, Torx HD 10 x 3/4	14
*	8541-582-019	Lockwasher	6
*	8640-399-001	Nut, Spring	12
10	9544-047-005	Strap, Hinge (Alm)	2
10	9544-047-002	Strap, Hinge (Wht)	2
10	9544-047-007	Strap, Hinge (SS/Gray)	2
10	9544-047-011	Strap, Hinge (Chrome/Black)	2
*	9545-012-028	Screw, Hinge to Panel	8
11	9545-052-001	Screw, Door to Hinge Strap (Special Black Type)	2
*	8641-436-003	Washer, Fiber	2
12	9021-001-010	Acceptor, Coin	1
*	9486-136-001	Retainer, Coin Acceptor	1
13	9545-053-002	Screw	4
*	9732-126-001	Switch (for coin acceptor with extra actuator)	1
*	9472-001-013	Cabinet Touch Up Paint (White)	1
*	8640-413-004	Elastic Stop Nut	1



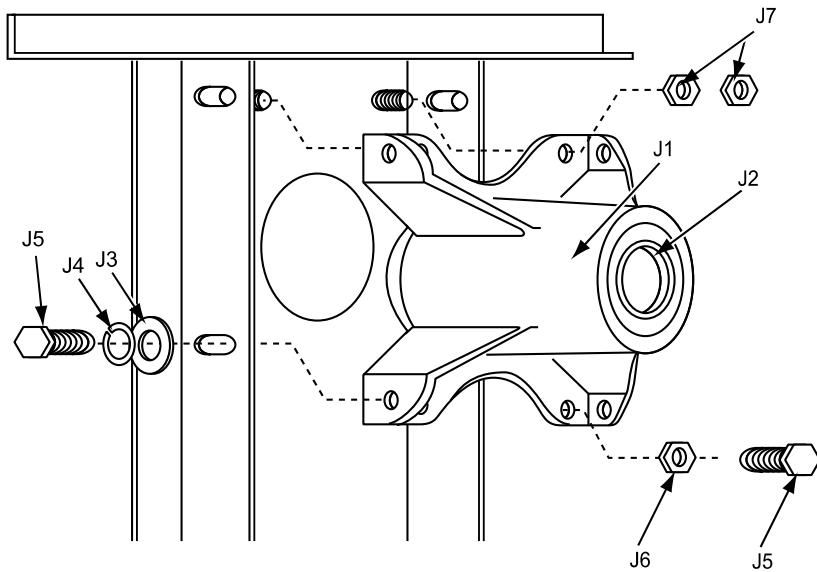
Cabinet Group Continued

Key	Part Number	Description	Quantity
14	9994-030-001	Escutcheon, Upper	1
15	9435-019-001	Trim, Overlay-Upper, Blue	1
15	9435-027-001	Trim, Overlay-Upper, Black	1
16	9994-031-001	Escutcheon, Lower	1
17	9435-020-001	Trim, Overlay-Lower, Blue	1
17	9435-028-001	Trim, Overlay-Lower, Black	1
18	9412-154-001	Nameplate Stack Dryer Express, Blue	1
18	9412-167-001	Nameplate Stack Dryer Express, Black	1
21	8650-012-004	Lock and Key, Lint Drawer #6101	2
22	9857-147-001	Controls Assy, Electronic Mounted With Membrane Switch, BLU. 1	1
22	9857-147-008	Controls Assy, Electronic Mounted With Membrane Switch, BLK. 1	1
22	9801-059-005	Membrane Switch Assy Blue	1
22	9801-100-001	Membrane Switch Assy Black	1
23	8650-012-003	Lock and Key, Control #6324	1
24	9501-004-003	Sensor Temp Control (before serial #200588)	2
24	9501-006-001	Sensor Temp Control (serial #200588)	2
24	9486-137-002	Retainer - Push On (from serial #200588)	2
24	9029-169-001	Bracket for Heat Sensor Mounting (Under Basket) before #200588 ...	2
25	9866-004-001	Lint Drawer Assembly, Blue	2
25	9866-004-011	Lint Drawer Assembly, Black	2
25	9435-003-001	Overlay Trim, Lint Drwr- before #201252	1
25	9435-003-009	Overlay trim, lint dwr, after serial #201252, Blue	1
25	9435-029-001	Overlay trim, lint dwr, after serial #201252, Black	1
*	9545-020-009	Screw	10
*	9532-074-003	Felt Seal (back of lint screen assembly)	2
*	9805-029-002	Lint Screen Assembly ONLY (no front)	2
*	9555-057-002	Replaceable Lint Screen Only	2
*	6292-006-010	Key only #6101	2
*	9095-043-001	Cam, Lock Lint Drawer	2
*	9545-008-001	Lint Screen Strap Hold Down Screws 10Bx 1/4	32
*	9627-862-001	Harness, Electronic Control	1
*	9627-854-001	Harness Coin Sw	1
*	9095-041-001	Cam, Lock	1
*	6292-006-007	Key 6324 only for Computer	2
*	9627-855-001	Harness, Heat Sensor	1
*	9277-041-011	Insulation Cabinet Cover	1
*	9545-045-005	Screw, Round Head (Mounts sensor; phillips head) before #200588 ...	2
*	9545-008-024	Screw HX Head Tapping (Mounts bracket housing to dryer) before #200588..	2
*	9209-037-002	Grommet, 3/16 ID	2
*	8544-006-001	Leg, Leveling 1/2"	4
*	8545-061-002	Leveling Leg Wrench	1
*	9074-261-001	Cover, Cabinet (Top)	1
*	9732-253-001	DDAD Kit for Dryers without Neutral and using 208-240 volt	1
*	9732-102-011	LP Kit for DDAD Dryers	1
*	9732-243-001	Stack Dryer Trunion Puller	1
*	9555-057-003	Replaceable Lint Screen Fine Mesh Only	1
*	9277-053-001	Insulation-Front Panel-Top Half	2
*	9277-053-002	Insulation-Front Panel-Lower Half	2
*	8640-276-002	Wire Nut Connector Grey	4
*	9527-007-002	Standoff Wire Saddle	8
*	9544-041-002	Strap - Bead Tie	1



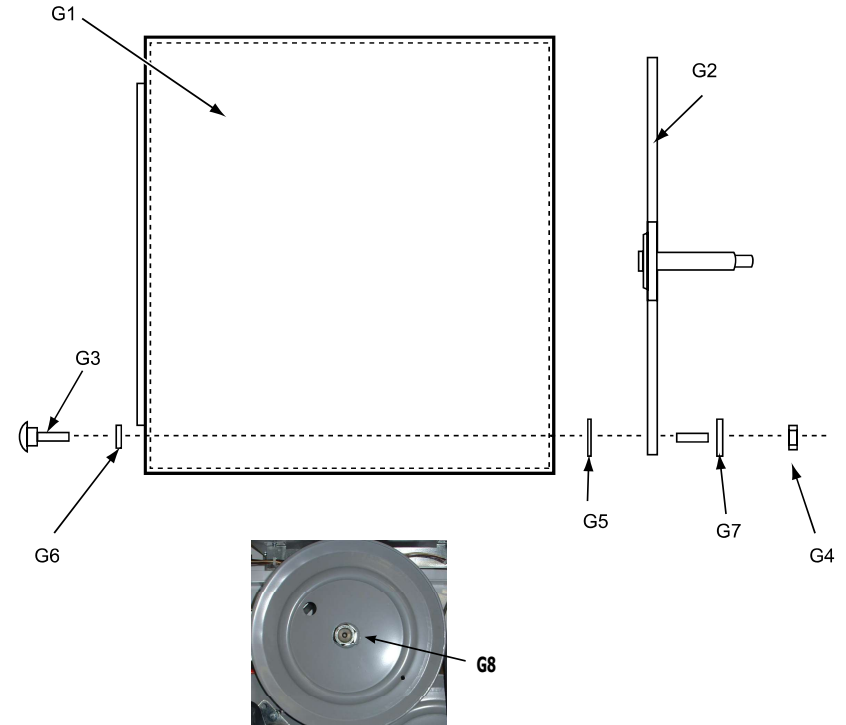
Bearing Housing Group Before Serial #226213

Key	Part Number	Description	Quantity
J1	9241-161-002	Housing, Bearing	2
J2	9036-130-001	Bearing, Ball	4
*	9538-139-002	Spacer, Bearing	2
J5	9545-049-001	Screw, 3/8 x 1	4
J6	8640-415-001	Nut, 3/8	4
J7	8640-400-002	Nut, 5/16	8
*	9803-160-003	Bearing Housing Complete Ass'y (includes bearings, spacer)	2
J4	9545-049-002	Screw 3/8 x 3/4	8



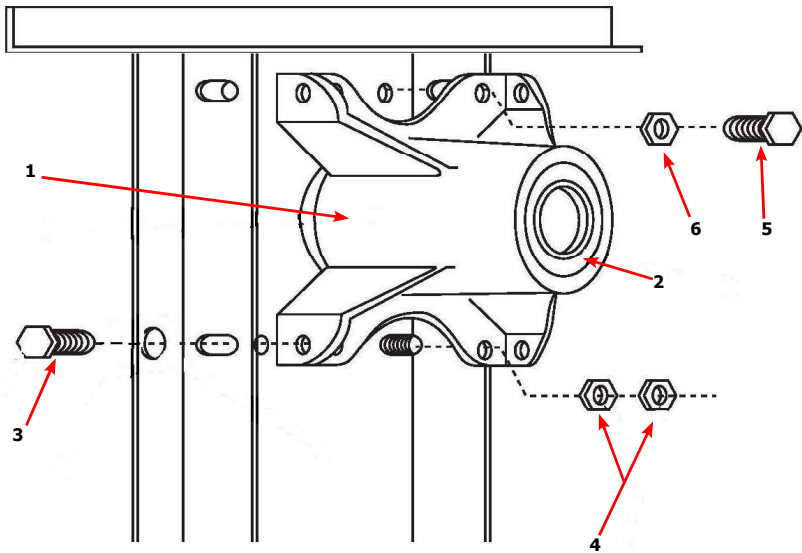
Tumbler Group Before Serial # 226213

Key	Part Number	Description	Quantity
*	9848-127-001	Tumbler Assembly Galvanized w/ Spider	2
*	9848-127-002	Tumbler Assembly Stainless w/ Spider	2
G2	9568-011-001	Spider Assembly	2
G3	9497-019-003	Rod, Tumbler	6
G4	8640-415-004	Nut-Tumbler Rod, 3/8" - 16	6
G6	8641-554-001	Washer, Special	6
G7	9552-013-003	Shim	AR
*	9848-126-002	Tumbler Assembly Stainless Steel Only	2
*	9848-126-001	Tumbler Assembly Galvanized Only	2
G8	8640-222-000	Nut, Tumbler Shaft	1



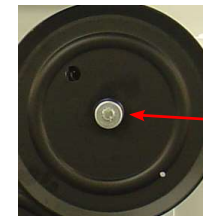
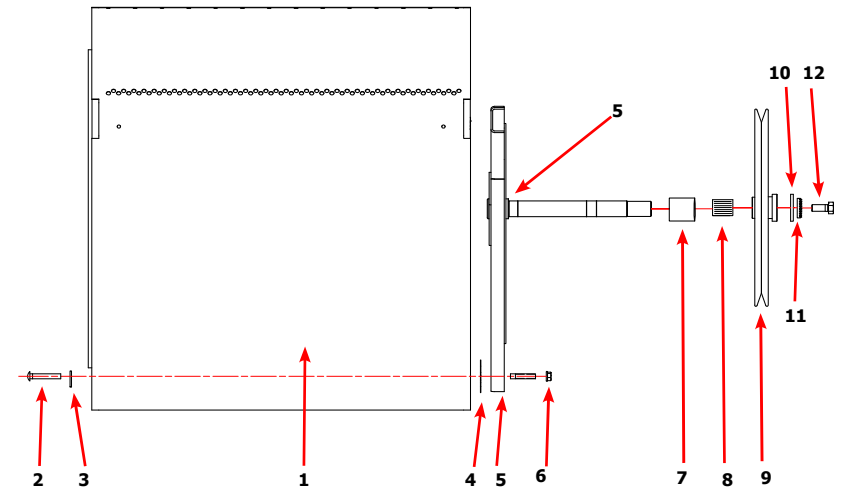
Bearing Housing Group After Serial #226213

Key	Part Number	Description	Quantity
*	9803-160-003	Bearing Housing Complete Assy (Includes bearings & Spacer)	1
1	9241-161-002	Housing, Bearing	1
*	9036-130-001	Bearing, Ball, Front	1
*	9538-139-002	Spacer, Bearing	1
2	9036-130-001	Bearing, Ball, Rear	1
3	9545-049-002	Screw-Wizlock, 3/8-24x3/4	4
4	8640-400-002	Nut, 5/16-18	4
5	9545-049-001	Screw, 3/8-24x1	2
6	8640-415-002	Nut, 3/8-24	2
*	9538-139-002	Shim, Tumbler	AR



Tumbler Group After Serial #226213

Key	Part Number	Description	Quantity
*	9848-142-001	Tumbler Assy Complete W/Spider (GALV)	1
*	9848-142-002	Tumbler Assy Complete W/Spider (SS & Galv front)	1
1	9848-126-001	Tumbler Assy (Galvanized)	1
1	9848-126-002	Tumbler Assy (Stainless Galvanized front)	1
2	9497-019-003	Rod, Tumbler	3
3	8641-554-001	Washer, Special	3
4	9552-013-000	Shim	AR
5	9568-015-001	Spider Assy	1
6	8640-415-004	Nut, Wiz Lock	3
7	9538-164-002	Spacer-Shaft	1
8	9487-234-005	Tolerance Ring	1
9	9908-049-002	Pulley, Driven	1
10	8641-581-026	Washer - Flat	1
11	8641-582-016	LockWasher - IntTooth, 1"	1
12	9545-017-009	Screw, 1/2-13x1 1/4	1

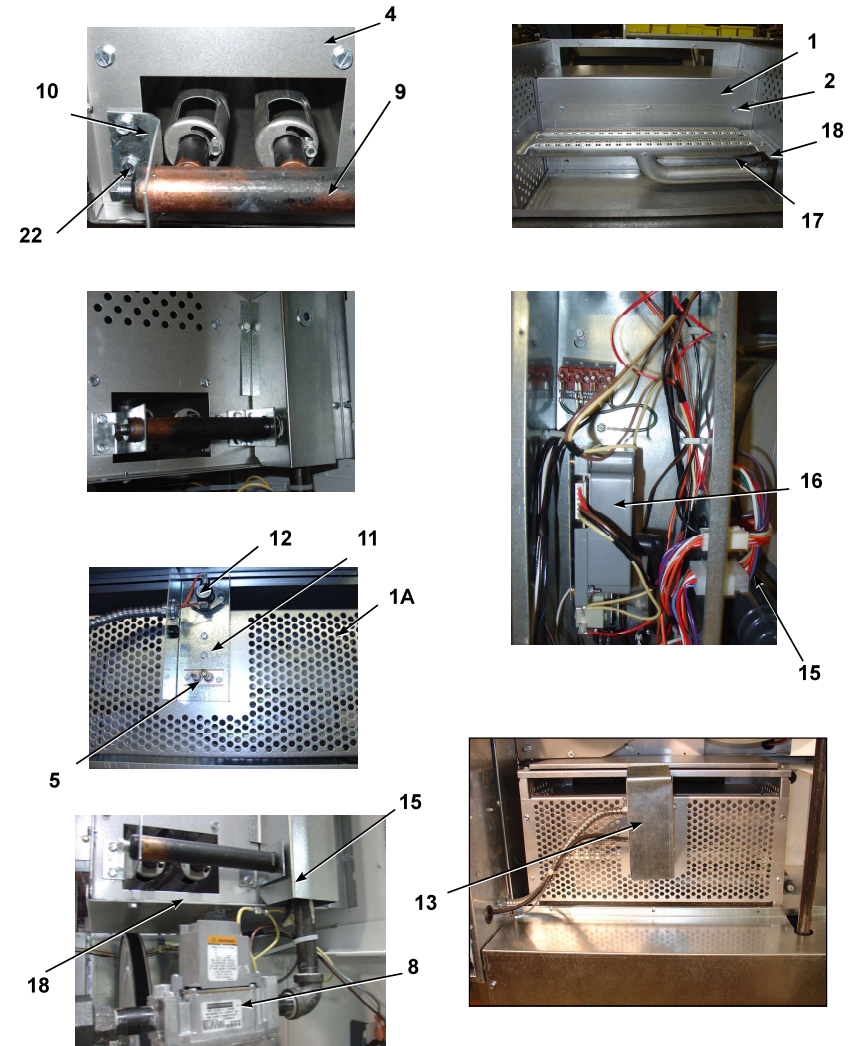


Burner Housing Group

Key	Part Number	Description	Quantity
1a	9452-730-001	Service Burner Plate Front.....	2
1	9452-729-001	Service Plate baffle Recirculation Chamber Clean Out.....	2
2	9545-008-001	Screw	16
18	9003-220-001	Angle, Burner Support	2
17	9048-020-001	Burner, Main	4
4	9545-008-001	Screw 10B x1/4"	8
5	9875-002-003	Electrode Assy, Ignition	2
19	9545-045-001	Screw, Electrode Mtg 8B x 1/4".....	4
7	9379-186-001	Valve, Gas Shut Off (Optional).....	1
8	9857-134-001	Control Assy, Gas	2
9	9381-009-006	Manifold, Assy	2
10	9029-047-001	Bracket, Manifold	2
22	8615-104-038	Pipe Plug in end of Burner Manifold	2
11	9452-749-001	Plate Assy, Hi-Limit Stat Ignitor	2
12	9576-203-002	Thermostat, Hi-Limit	2
13	9074-315-001	Cover, Hi-Limit Stat Ignitor.....	2
15	9825-058-001	Cover, Safety Stat	2
16	9857-116-003	Control, Ignition Fenwall (3 trybox)	2
*	9803-199-001	Housing Assembly, Burner	2
*	9545-008-006	Screws	8
*	9545-008-006	Screw	4
*	9545-008-006	Screw 10AB x 3/8"	4
*	9454-796-001	Panel, Back Burner Housing.....	2
*	9425-069-023	Orifice, Burner-Natural #125	4
*	9425-069-024	Orifice, Burner-LP #49	4
*	9039-915-001	Bracket, Gas Control	2
*	9545-008-006	Screw	4
*	9538-142-001	Spacer, Hi-Limit	4
*	9545-045-007	Screw 8B x 3/4".....	4
*	9545-008-006	Screw	6
*	9576-207-008	Thermostat, Safety Shutoff	2
*	9545-008-006	Screw	4
*	9545-008-006	Screw	4
*	9550-173-001	Shield, Burner Inlet	1
*	9732-102-011	Kit, LP Conversion DDAD Kit	2
*	8515-104-037 ^	Elbow 90 Black.....	4
*	8665-073-040	Nipple 1/2" x 2 Black.....	2
*	8665-073-044 ^	Nipple 1/2" x 4 1/2" Black.....	2
*	8615-104-035 ^	Union 1/2" Black.....	2
*	9458-020-002 ^	Pipe Black.....	1
*	8615-104-034 ^	Tee 1/2" x 1/2" x 1/2" Long Black.....	2
*	9838-018-001 ^	Welded One Piece Gas Pipe Assembly (Used After 9/07)	
*	9381-012-001 ^	Manifold Assembly 2 Port One Piece (Used After 9/07)	

^ Models built before 9/07

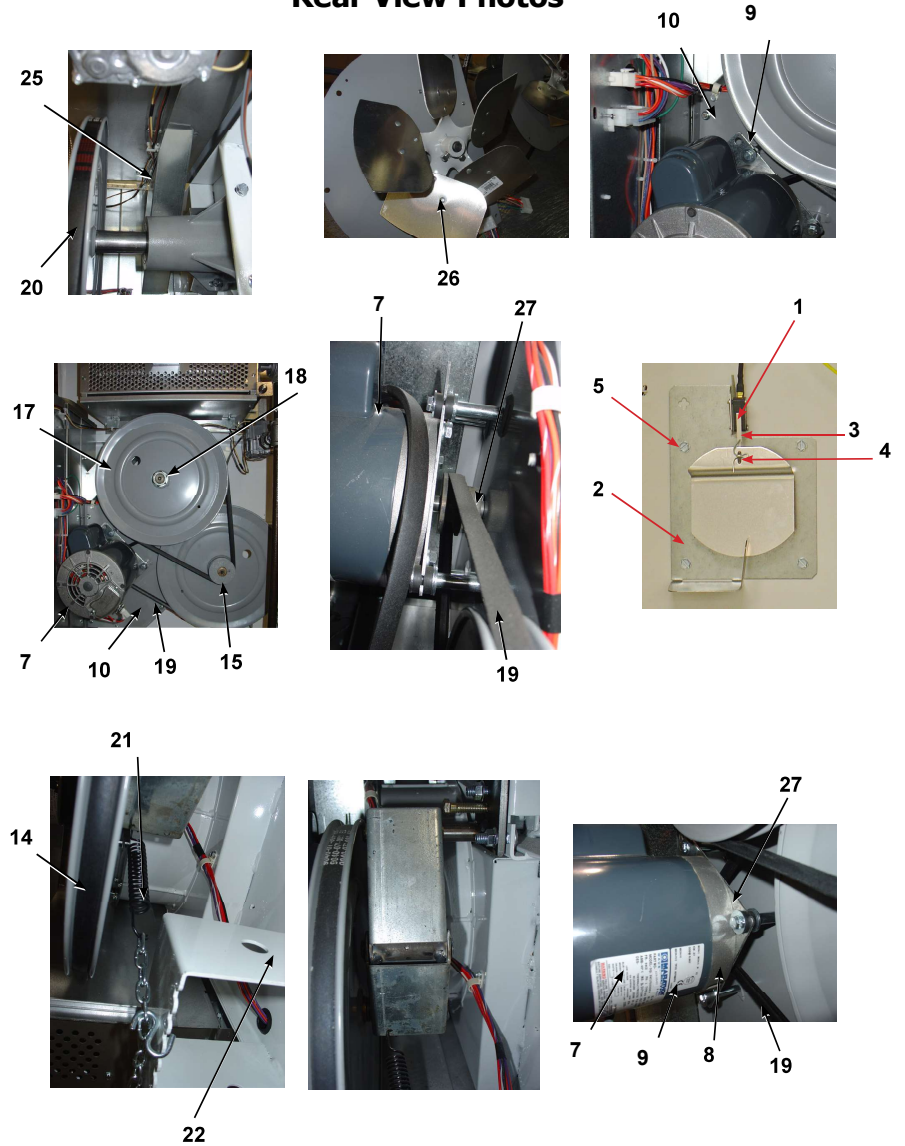
Burner Housing Group Photos



Rear View

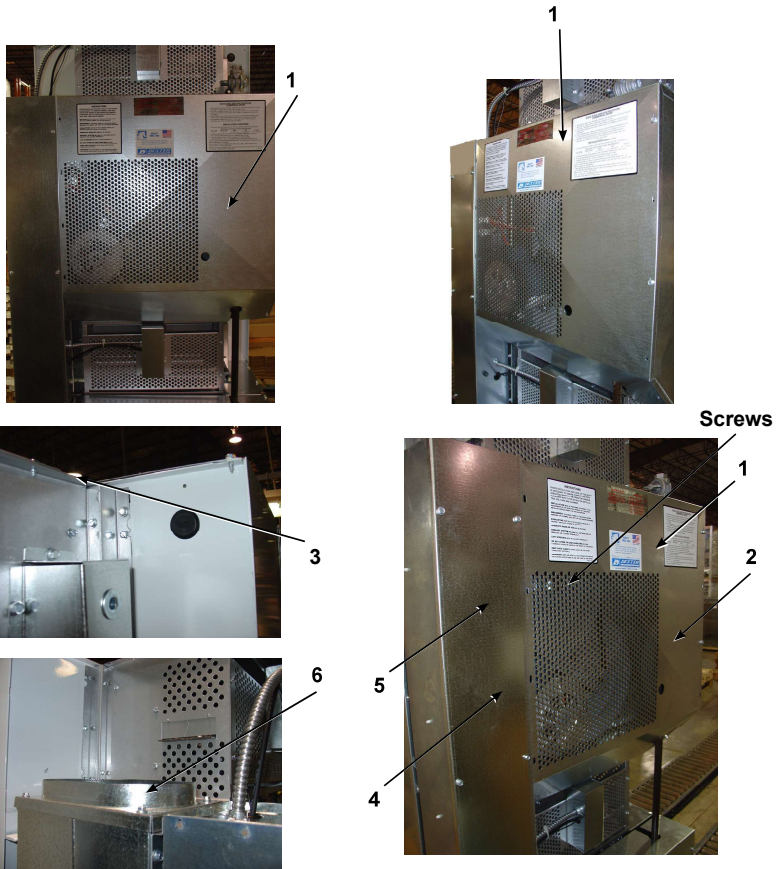
Key	Part Number	Description	Quantity
*	9627-861-001	Wire Harness Overtemperature Switch	2
*	9801-095-001	Switch Assy, Air Flow	2
1	9539-461-009	Switch, Air Flow	2
2	9029-174-001	Bracket, Switch- Air Flow	2
3	9008-007-001	Actuator, Switch	2
4	9451-169-002	Pin, Cotter	2
5	9545-020-001	Screw 4-40 x 5/8"	4
*	8640-401-001	Nut, Special Twin #4-40	2
*	9550-169-003	Shield, Switch	2
*	9545-008-001	Screw 10 Bx 1/4"	6
7	9376-309-003	Motor, Drive	2
8	9452-740-001	Plate, Motor Mtg	2
*	9545-029-008	Bolt 3/8" - 16 x 3/4"	8
*	8641-582-003	Lockwash Spring 3/8"	8
9	9545-018-019	Screw, Motor Plate to Back Assy. 1/4-20x 2 1/2	8
9	86411-582-007	Lockwasher 1/4	8
9	9538-163-006	Spacer	8
9	8641-581-017	Flat Washer 1/4 x 7/8	24
9	9209-086-002	Rubber Grommet	8
*	9538-166-006	Grommet Spacers	8
27	9453-157-001	Pulley, Motor	2
*	9545-028-013	Screw, Set	4
10	9962-017-002	Back Assy, Blower Hsg	2
26	9278-039-001	Impeller, W/Set Screws	2
11	9991-053-001	Support Assy, Intermed. Pulley	2
12	9545-029-010	Bolt, Rd Hd 3/8-16 x 1 1/4	6
13	9545-029-003	Bolt, 3/8-16 x 1 1/2	2
12	8640-415-004	Nut Flange Wizioc 3/8" - 16	6
12	8641-581-035	Washer, Flat	6
14	9861-022-001	Arm Assy-Tension, Complete	2
*	8641-581-035	Washer, Flat	2
15	9487-200-003	Ring-Retaining	6
16	9908-039-004	Pulley Assy, Intermediate with bronze flange bearing	2
*	9036-145-002	Bearing - Bronze Flange	4
17	9908-040-001	Pulley Driven (Before Serial # 226213)	2
17	9908-049-002	Pulley Driven (After Serial # 226213) see Tumbler group	2
*	9538-164-001	Spacer, Shaft	2
*	9306-006-000	Key, Tumbler Shaft Woodruff	2
18	8640-222-000	Nut, Hex 1"-14	2
18	86A1-582-015	Washer, Lock	2
19	9040-077-001	Belt, Drive- Motor	2
20	9040-073-009	Belt, Drive- Tumbler	2
21	9534-319-002	Spring, Tension	2
22	9099-012-002	Chain, Tension	2
23	9248-022-002	Hook, Tension	2
*	9125-005-001	Damper Inside Duct Exhaust	2
24	9451-146-001	Pin, Damper Hinge	2
*	8520-141-000	Nut, Spring	4
*	9545-008-026	Screw #10B x 1/2	6
25	9825-059-001	Cover Duct Upper	1
*	9074-314-001	Cover Duct Lower	1
*	9545-008-024	Screw 10ABx 3/8"	2
80			
25	9973-030-001	Heat Recirculation Assembly Duct	2
27	9453-157-001	Motor Pulley - Driver	1
*	9029-173-001	Bracket for Wire Harness Under Burner Housing	2

Rear View Photos



Rear Panel & Cover Group

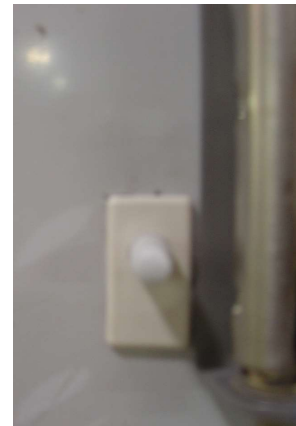
Key	Part Number	Description	Quantity
1	9208-075-001	Back Drive Guard Panel before serial#200860	2
1	9208-083-001	Back Drive Guard Panel after serial#200860	2
*	9545-008-024	Back Guard Screws.....	*
2	9208-076-001	Back Side Guard Panel Ass'y	2
3	9074-261-001	Cabinet (TOP COVER)	1
*	8544-006-001	Legs Leveling	4
4	9074-317-001	Electric Box Cover Screws Only	6
5	9545-008-024	Screws 10 AB x 3/8.....	4
6	9577-062-001	Top Duct w/ Oval.....	1
6	9109-113-001	Top Duct w/ Round.....	1
4	9108-117-001	Electric Box Cover w/ Hinge.....	1
*	9074-319-001	Lower Duct Cover / Board.....	1
*	9973-034-001	8" Slide Open Clean Out Duct (Optional).....	1



Screws

Door Switch Group

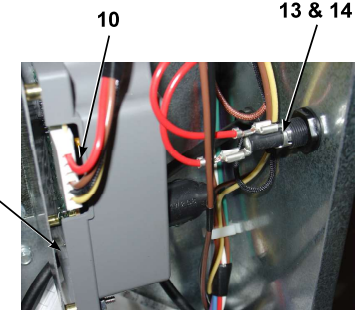
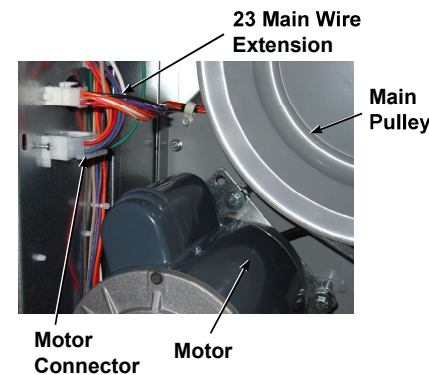
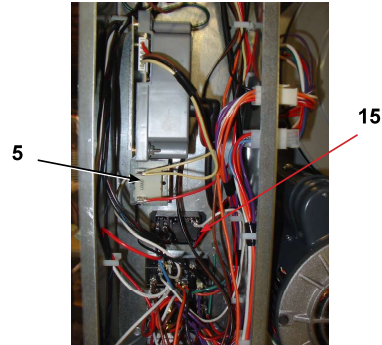
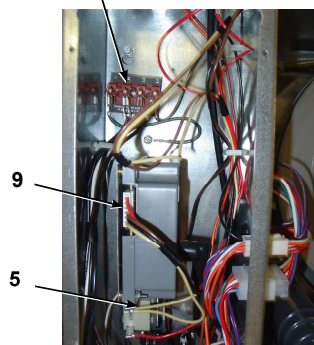
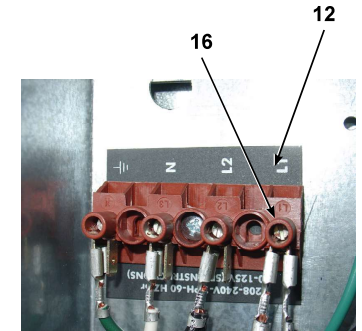
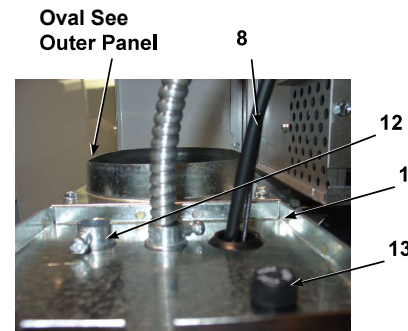
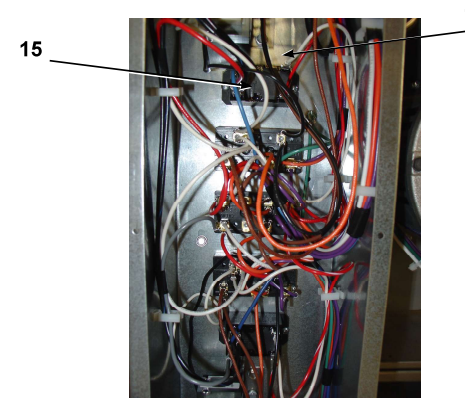
Part Number	Description	Quantity
9539-487-001	Door Switches	2



Control Assembly Group

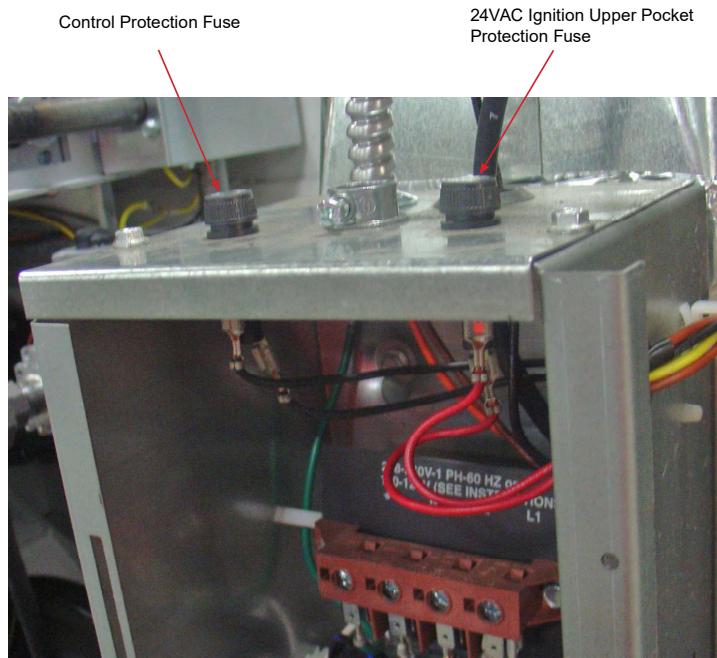
Key	Part Number	Description	Quantity
1	9074-317-001	Control Box Cover	1
2	8220-001-478	Wire Assembly Green 7"	1
3	9897-026-002	Terminal Block Main Power Middle	1
4	9897-026-001	Terminal Block	2
5	8711-011-001	Transformer Ignition.....	2
6	9982-348-001	Plate Assembly MTG Ignition Control.....	2
7	9857-116-003	Ignition Control	2
8	9631-403-007	Wire Assembly High Voltage Upper	1
9	9627-860-001	Wire Harness Ignition Control Upper.....	1
10	9627-860-002	Wire Harness Ignition Control Lower.....	1
11	9053-067-002	Bushing Wire 7/8"	4
12	8653-068-003	Connector Conduit 3/8" STR	1
13	9200-001-002	Fuseholder Assembly	3
14	8636-018-001	Fuse 1.5 Amp.....	3
15	5192-298-001	Relay Power (before Serial # 217612)	2
15	5192-299-001	Relay Power (after Serial # 217612)	2
16	9897-036-002	Terminal Block Assembly Main Power Inlet.....	1
17	8220-062-036	Wire Assembly Red/Black 14"	1
18	8220-062-037	Wire Assembly Red/White 14".....	1
19	8220-062-038	Wire Assembly White 14"	2
20	9627-859-001	Wire Harness - Power Main.....	1
21	9627-864-001	Wire Harness Motor Extension.....	2
22	9558-031-001	Strip Terminal Marker (Behind Input Power) to above #3.....	1
*	9857-169-001	Control Assbly Complete (all below included)	1
*	8639-621-007	Screw # 10-32 x 12 Green.....	1
*	8641-582-006	Lockwasher Ext Tooth #10	1
*	9545-045-012	Screw #8 ABx1 2 for terminal block.....	6
*	9545-008-024	Screws 10AB x 3/8"	4
*	9545-008-001	Screws 10B x 1/4" MTG Above Plate	4
*	8640-411-003	#6-32 Screws	4
*	9631-403-006	Wire Assembly High Voltage Lower	1
*	9545-045-012	Screws Power #8 AB x 1/2"	4
*	9545-045-012	Screw #8 AB x 1/2"	1
*	9527-007-001	Stand Off - Wire Saddle / Arrowhead	5
*	9545-031-005	Screw 6 B x 3/8"	4
* 16	9627-863-001	Wire Harness Main Extension Access Under Burner Housing	1

Control Assembly Group



Control Assembly Group Change w/control Protection Fus

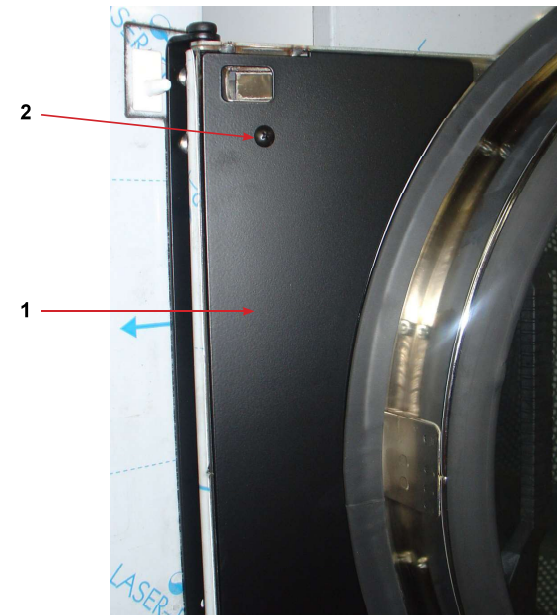
13	9200-001-002	Fuseholder Assembly.....	3
14	8636-018-001	Fuse 1.5 Amp.....	3



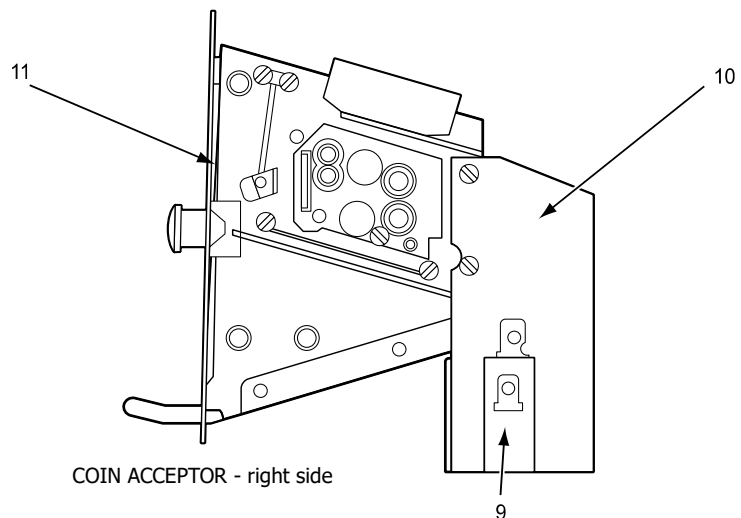
Not Shown:
24VAC Ignition Lower
Pocket Protection
Fuse

Hinge Plate Cover (after Serial # 220625)

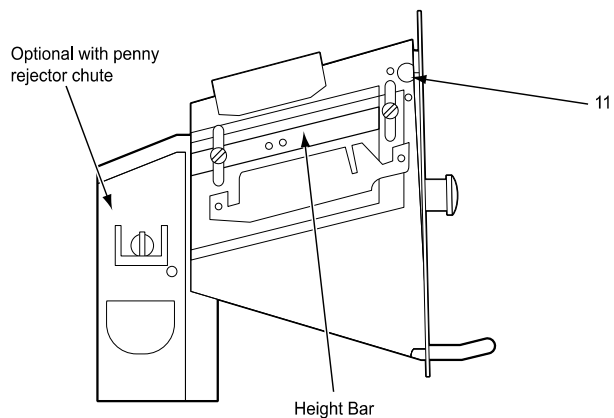
1	9074-341-002	Cover-Hinge, Black.....	2
Note: Before Serial # 220625 Holes can be drilled in hinge plate to install (#18 Drill bit).			
2	9545-008-010	Screw-TRHDCR, 10B x 3/8, Black.....	4



Coin Handling Group



COIN ACCEPTOR - right side



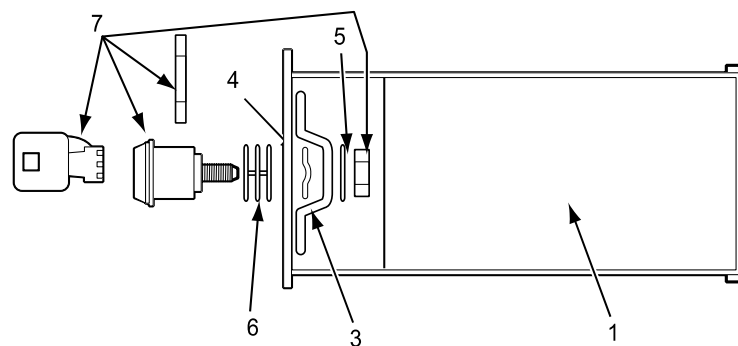
COIN ACCEPTOR - left side

Coin Handling Group

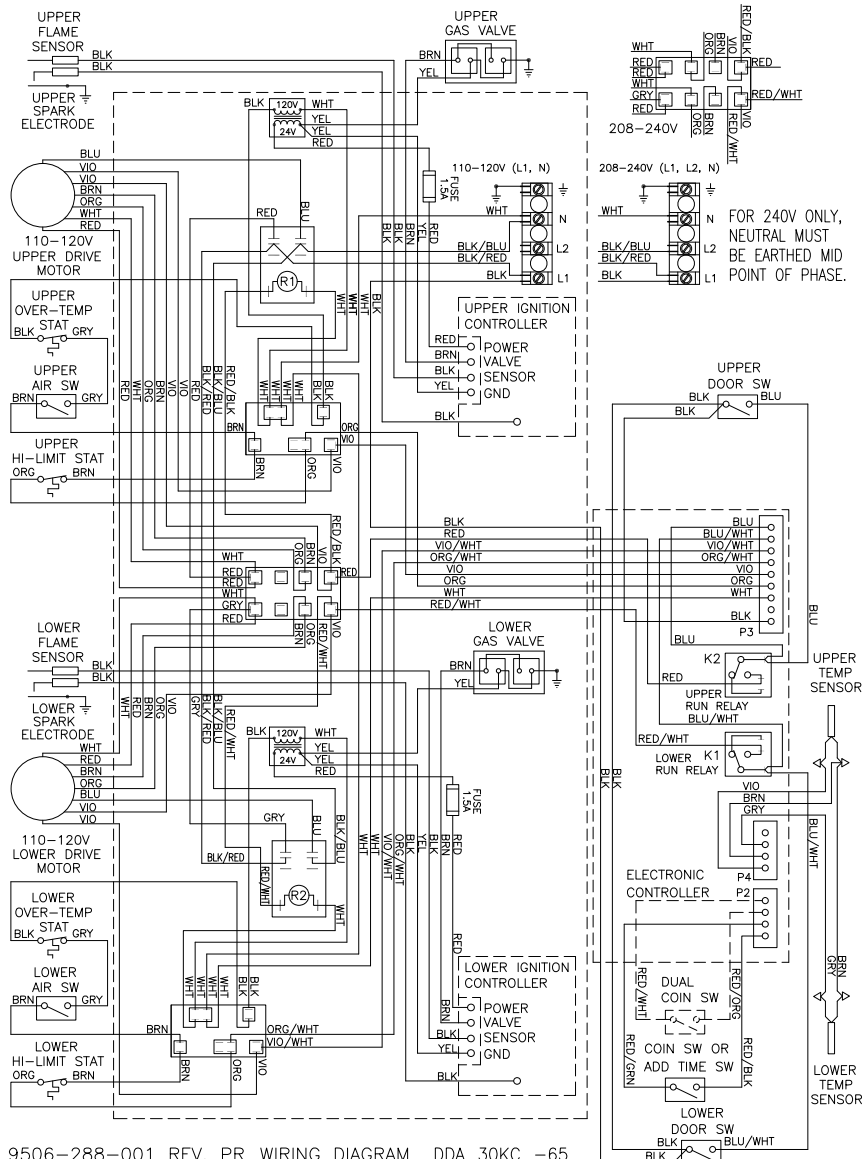
Key	Part Number	Description	Quantity
2	9732-122-001	Kit, Coin Box and Hardware (includes 1-6)	1
*	9942-034-002	Vault, Assembly Gray (SS front panel)	1
*	9942-034-004	Vault, Assembly Almond	1
*	9942-034-003	Vault, Assembly White	1
*	9942-038-005	Vault, Assembly Black Large Coin Box (Serial # 222035)	1
*	9982-338-001	Mounting Plate, Large Vault	1
*	9545-008-024	Screws, Large Vault Mounting	2
1	9807-077-007	Box Assembly, Coin	1
*	9982-338-001	Vault Plate Assembly Coin Vault Mounting	4
*	8640-413-004	Nut, Vault Mounting	4

NOTE: COIN BOX AND HARDWARE KIT AND COIN BOX LOCK NOT INCLUDED WITH MACHINE.

3	9349-033-001	Latch, Coin Box	1
4	8641-569-002	Washer, Wave	1
5	8641-583-001	Washer, Keeper	1
6	8641-581-008	Washer, Spacer- Thick	2
6	8641-581-010	Washer, Spacer- Thin	4
7	8650-012-002	Lock, Coin Box (w/key not included with 9732-122-001)	1
8	9021-001-010	Accepter, Coin	1
*	9545-053-002	Screw, Acceptor Mtg	4
9	9732-126-001	Switch, Coin	1
10	9119-025-002	Acceptor Chute Ass'y w/o penny ejector	1
*	9119-025-001	OPTIONAL Acceptor Chute W/ penny rejector	*



Wiring Diagram for DDAD Dryer



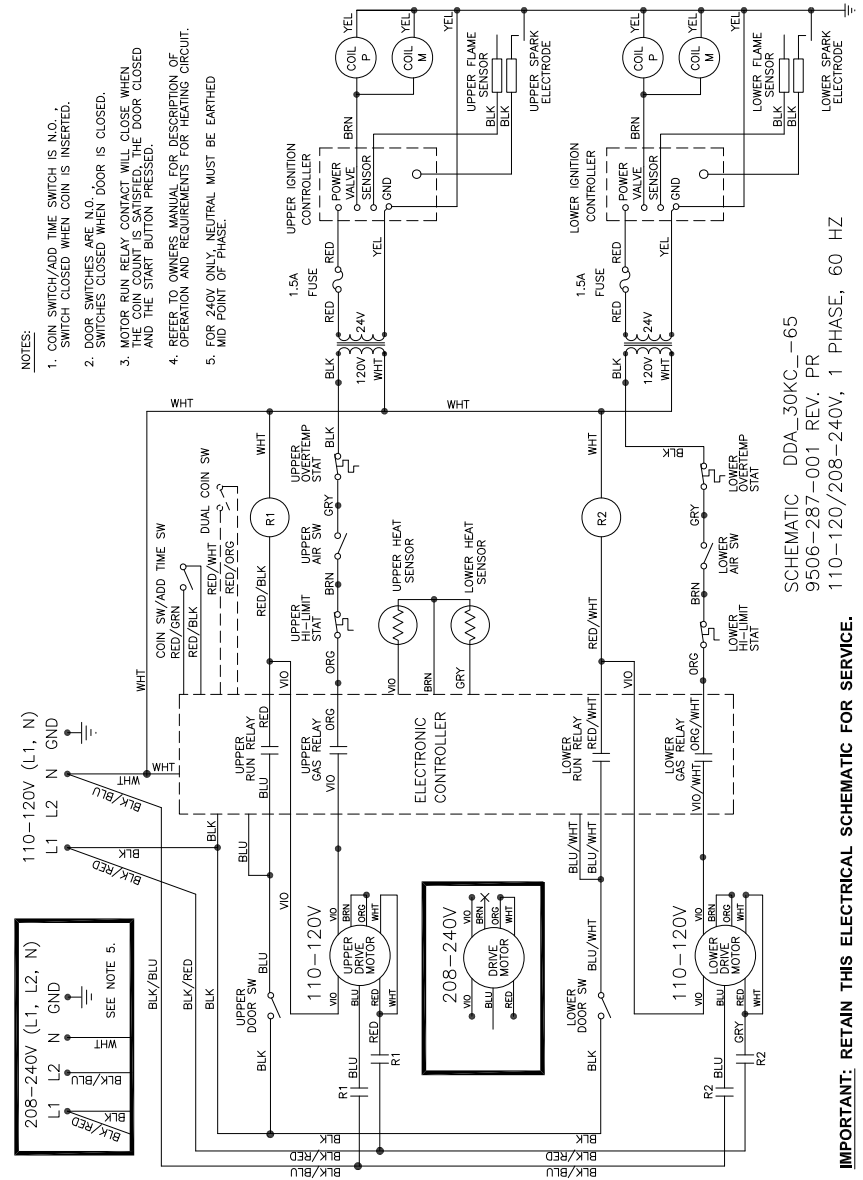
9506-288-001 REV. PR WIRING DIAGRAM DDA_30KC_-65

IMPORTANT: RETAIN THIS ELECTRICAL DIAGRAM FOR SERVICE

Part # 8533-061-001 9/21

77

Wiring Schematic for DDAD Dryer



NOTES:

1. COIN SWITCH/ADD TIME SWITCH IS N.O. SWITCH CLOSED WHEN COIN IS INSERTED.
2. DOOR SWITCHES ARE N.O. SWITCHES CLOSED WHEN DOOR IS CLOSED.
3. MOTOR RUN RELAY CONTACT WILL CLOSE WHEN THE COIN COUNT IS SATISFIED, THE DOOR CLOSED AND THE START BUTTON PRESSED.
4. REFER TO OWNERS MANUAL FOR DESCRIPTION OF OPERATION AND REQUIREMENTS FOR HEATING CIRCUIT.
5. FOR 240V ONLY, NEUTRAL MUST BE EARTHED MID POINT OF PHASE.

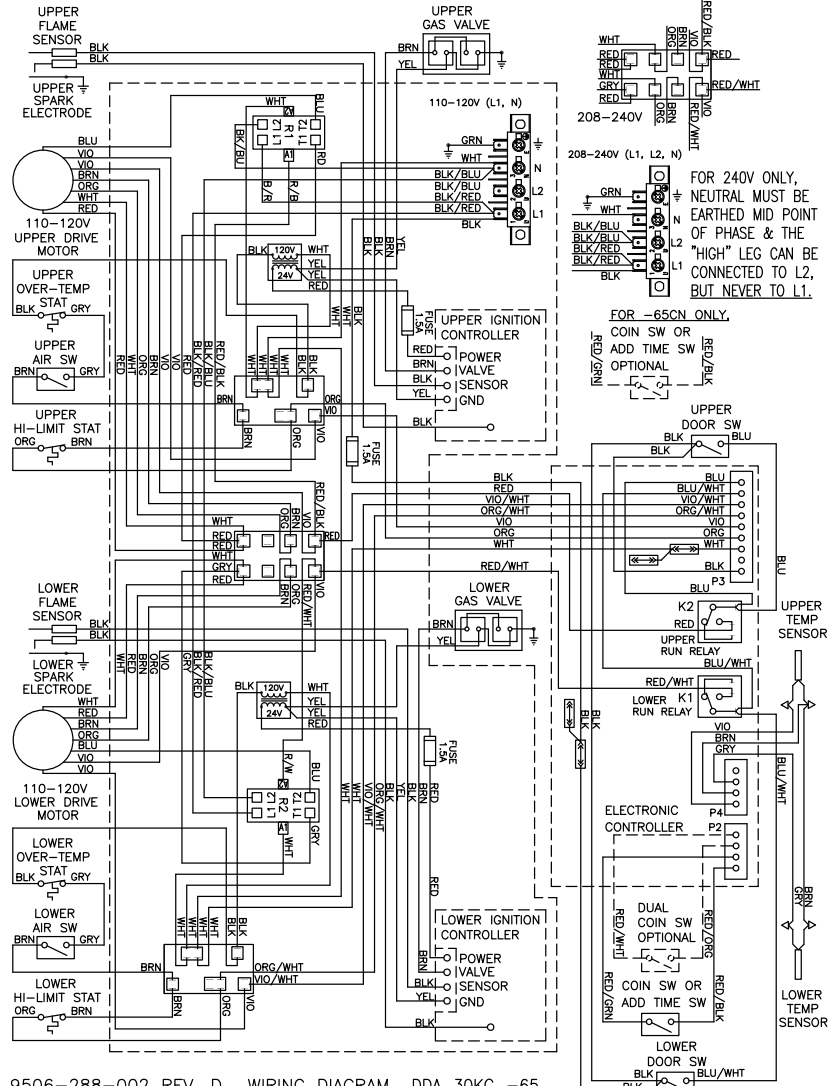
SCHEMATIC DDA_30KC_-65
9506-287-001 REV. PR
110-120/208-240V, 1 PHASE, 60 HZ

IMPORTANT: RETAIN THIS ELECTRICAL SCHEMATIC FOR SERVICE.

78

Part # 8533-061-001 9/21

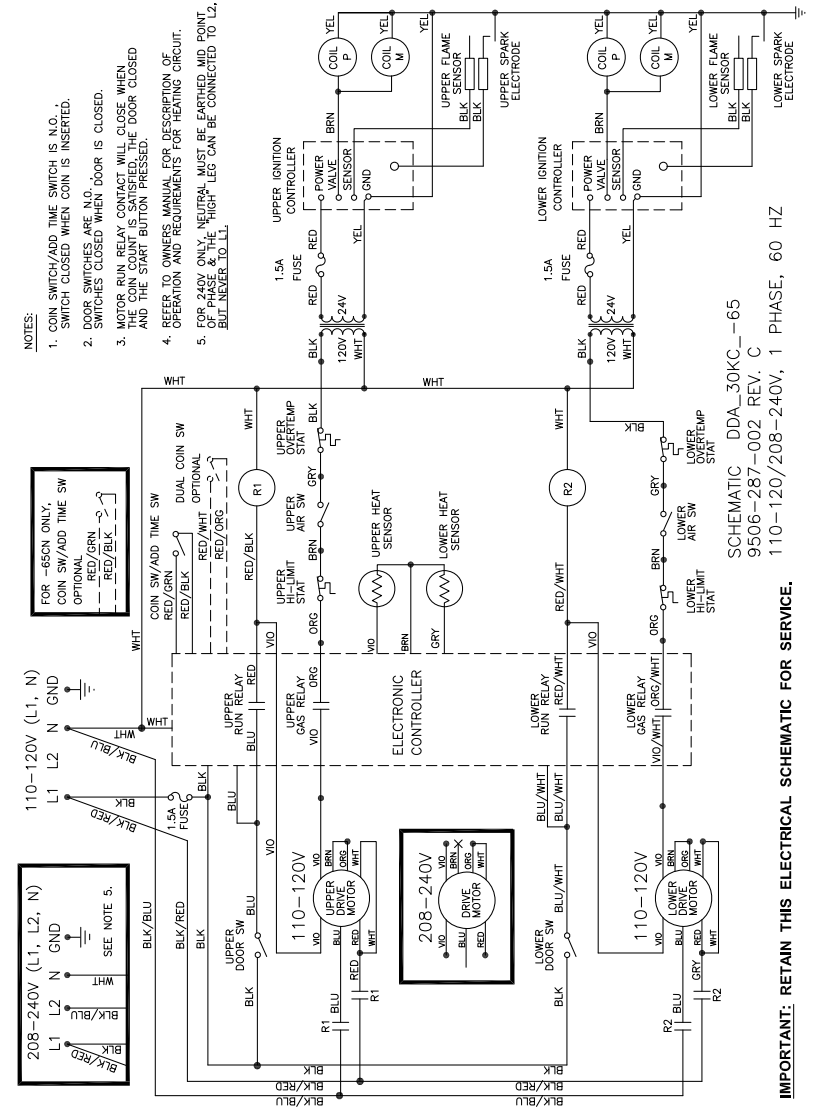
Wiring Diagram for DDAD Dryer w/control Protection Fuse



9506-288-002 REV. D WIRING DIAGRAM DDA_30KC_-65

IMPORTANT: RETAIN THIS ELECTRICAL DIAGRAM FOR SERVICE.

Wiring Schematic for DDAD Dryer w/control Protection Fuse



- NOTES:
1. COIN SWITCH/ADD TIME SWITCH IS N.O. SWITCH CLOSED WHEN COIN IS INSERTED.
 2. DOOR SWITCHES ARE N.O. SWITCHES CLOSED WHEN DOOR IS CLOSED.
 3. MOTOR RUN RELAY CONTACT WILL CLOSE WHEN COIN SW/ADD TIME SW IS PRESSED AND THE START BUTTON PRESSED.
 4. REFER TO OWNERS MANUAL FOR DESCRIPTION OF OPERATION AND REQUIREMENTS FOR HEATING CIRCUIT.
 5. FOR 240V ONLY, NEUTRAL MUST BE EARTHED MID POINT. NEUTRAL MUST BE EARTHED MID POINT, BUT NEVER TO L1.

SCHEMATIC DDA_30KC_-65
9506-287-002 REV. C
110-120V/208-240V, 1 PHASE, 60 HZ

IMPORTANT: RETAIN THIS ELECTRICAL SCHEMATIC FOR SERVICE.