



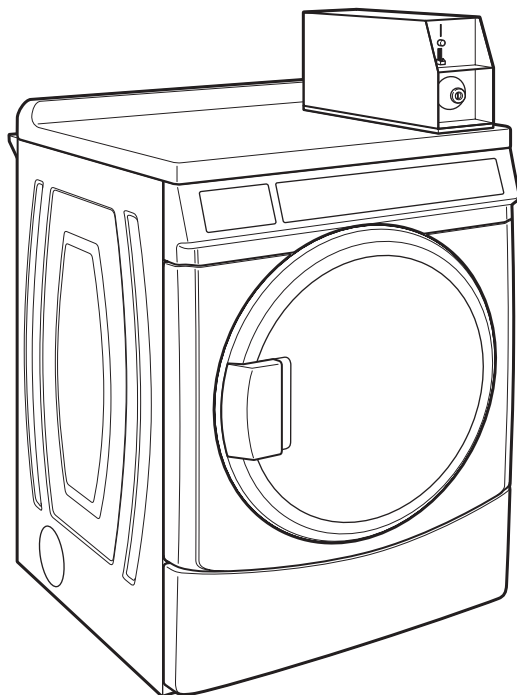
# INSTALLATION INSTRUCTIONS

## Commercial Dryer Gas or Electric

# INSTRUCTIONS D'INSTALLATION

## Sécheuse à usage commercial à gaz ou électrique

---



### TABLE OF CONTENTS

	Page
Dryer Safety .....	2
Tools & Parts .....	5
Dimensions/Clearances .....	6
Gas Dryer Installation Requirements .....	7
Electric Dryer Installation Requirements .....	10
Dryer Venting Requirements .....	13
Gas Supply Connection .....	15
Installing Leveling Legs, Coin Slide, and Coin Box .....	17
Electric Dryer Electrical Connections .....	18
Leveling .....	22
Complete Installation .....	23
Reversing Dryer Door Swing .....	24
Maintenance Instructions .....	26
If You Need Assistance .....	26
Electronic Control Setup Instructions .....	27
Warranty .....	32

### TABLE DES MATIÈRES

	Page
Sécurité de la sécheuse.....	33
Outils et pièces .....	36
Dimensions/Distances de dégagement .....	37
Exigences d'installation pour la sécheuse à gaz .....	38
Exigences d'installation pour la sécheuse électrique .....	41
Exigences concernant l'évacuation de la sécheuse .....	43
Raccordement à la canalisation de gaz .....	45
Installation des pieds de nivellement, de la glissière à monnaie et de la caisse à monnaie .....	47
Nivellement .....	48
Achever l'installation .....	49
Inversion du sens d'ouverture de la porte de la sécheuse	50
Instructions d'entretien .....	52
Si vous avez besoin d'assistance .....	52
Instructions de réglage du tableau de commande électronique .....	53
Garantie .....	59

# DRYER SAFETY

## Your safety and the safety of others are very important.

We have provided many important safety messages in this manual and on your appliance. Always read and obey all safety messages.



This is the safety alert symbol.

This symbol alerts you to potential hazards that can kill or hurt you and others.

All safety messages will follow the safety alert symbol and either the word “DANGER” or “WARNING.” These words mean:

**⚠ DANGER**

You can be killed or seriously injured if you don't immediately follow instructions.

**⚠ WARNING**

You can be killed or seriously injured if you don't follow instructions.

All safety messages will tell you what the potential hazard is, tell you how to reduce the chance of injury, and tell you what can happen if the instructions are not followed.



## **WARNING - “Risk of Fire”**

- Clothes dryer installation must be performed by a qualified installer.
- Install the clothes dryer according to the manufacturer's instructions and local codes.
- Do not install a clothes dryer with flexible plastic venting materials or flexible metal (foil type) duct. If flexible metal duct is installed, it must be of a specific type identified by the appliance manufacturer as suitable for use with clothes dryers. Flexible venting materials are known to collapse, be easily crushed, and trap lint. These conditions will obstruct clothes dryer airflow and increase the risk of fire.
- To reduce the risk of severe injury or death, follow all installation instructions.
- Save these instructions.

- It is recommended that the owner post, in a prominent location, instructions for the customer's use in the event the customer smells gas. This information should be obtained from your gas supplier.
- Post the following warning in a prominent location.

### FOR YOUR SAFETY

Do not store or use gasoline or other flammable vapors and liquids in the vicinity of this or any other appliance.

**WARNING:** For your safety, the information in this manual must be followed to minimize the risk of fire or explosion, or to prevent property damage, personal injury, or death.

- Do not store or use gasoline or other flammable vapors and liquids in the vicinity of this or any other appliance.
- **WHAT TO DO IF YOU SMELL GAS:**
  - Do not try to light any appliance.
  - Do not touch any electrical switch; do not use any phone in your building.
  - Clear the room, building, or area of all occupants.
  - Immediately call your gas supplier from a neighbor's phone. Follow the gas supplier's instructions.
  - If you cannot reach your gas supplier, call the fire department.
- Installation and service must be performed by a qualified installer, service agency, or the gas supplier.

**WARNING:** Gas leaks cannot always be detected by smell.

Gas suppliers recommend that you use a gas detector approved by UL or CSA.

For more information, contact your gas supplier.

If a gas leak is detected, follow the “What to do if you smell gas” instructions.

In the State of Massachusetts, the following installation instructions apply:

- Installations and repairs must be performed by a qualified or licensed contractor, plumber, or gasfitter qualified or licensed by the State of Massachusetts.
- If using a ball valve, it shall be a T-handle type.
- A flexible gas connector, when used, must not exceed 3 feet.

**IMPORTANT:** The gas installation must conform with local codes, or in the absence of local codes, with the National Fuel Gas Code, ANSI Z223.1/NFPA 54 or the Canadian Natural Gas and Propane Installation Code, CSA B149.1.

The dryer must be electrically grounded in accordance with local codes, or in the absence of local codes, with the National Electrical Code, ANSI/NFPA 70 or Canadian Electrical Code, CSA C22.1.

**IMPORTANT:** When discarding or storing your old clothes dryer, remove the door.

# DRYER SAFETY

## IMPORTANT SAFETY INSTRUCTIONS

**WARNING:** To reduce the risk of fire, electric shock, or injury to persons when using the dryer, follow basic precautions, including the following:

- Read all instructions before using the dryer.
- This dryer is intended only for drying clothes and textiles that have been washed in water. Do not use for any other purpose.
- **WARNING:** If you smell gas, do not use the dryer or any electrical equipment nearby. Warn other people to clear the area. Contact the dryer owner immediately.
- Do not place items exposed to cooking oils in your dryer. Items contaminated with cooking oils may contribute to a chemical reaction that could cause a load to catch fire.
- Do not dry articles that have been previously cleaned in, washed in, soaked in, or spotted with gasoline, dry-cleaning solvents, other flammable, or explosive substances as they give off vapors that could ignite or explode.
- Do not dry unwashed items in the dryer.
- Do not allow children to play on or in the dryer. Close supervision of children is necessary when the dryer is used near children.
- Before the dryer is removed from service or discarded, remove the doors to the dryer compartment.
- Do not reach into the dryer if the drum is moving.
- Do not open door while dryer is in operation. It will stop.
- Do not install or store the dryer where it will be exposed to water and/or the weather.
- Do not tamper with controls.
- Clean dryer lint screen before or after each load.
- Do not use this dryer without the lint screen in place.
- Do not repair or replace any part of the dryer or attempt any servicing unless specifically recommended in this Installation Instructions or in published user-repair instructions that you understand and have the skills to carry out.
- Do not use fabric softeners or products to eliminate static unless recommended by the manufacturer of the fabric softener or product.
- Do not use heat to dry articles containing foam rubber or similarly textured rubber-like materials.
- The final part of a tumble dryer cycle occurs without heat (cool-down cycle) to ensure that the articles are left at a temperature that ensures that the items will not be damaged.
- **WARNING:** Never stop a tumble dryer before the end of the drying cycle unless all items are quickly removed and spread out so that the heat is dissipated. (Avoids risk of spontaneous combustion).
- Keep area around the exhaust opening and adjacent surrounding areas free from the accumulation of lint, dust, and dirt.
- The interior of the dryer and dryer exhaust vent should be cleaned periodically by qualified service personnel.
- See "Electrical Requirements" section for grounding instructions.

## SAVE THESE INSTRUCTIONS

State of California Proposition 65 Warnings:

**WARNING:** This product contains one or more chemicals known to the State of California to cause cancer.

**WARNING:** This product contains one or more chemicals known to the State of California to cause birth defects or other reproductive harm.

# TOOLS & PARTS

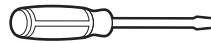
## Tools Needed:



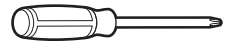
8" (200 mm)  
or 10" (250 mm)  
Pipe Wrench



8" (200 mm) or 10" (250 mm)  
Adjustable Wrench  
that opens to 1" (25 mm)



Flat-Blade Screwdriver



Phillips Screwdriver



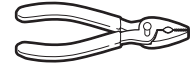
Torx T-20<sup>®†</sup> Security  
Screwdriver or Bit



1" (25 mm) Hex-Head  
Socket Wrench



1/4" Socket Wrench



Pliers (that open to  
1<sup>9</sup>/<sub>16</sub>" [39 mm])



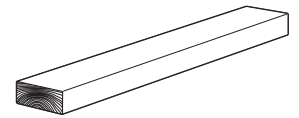
Level



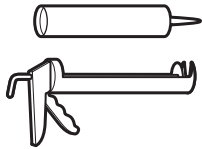
Utility Knife



1/4" (6 mm) Nut Driver



27" (686 mm)  
Wood Block



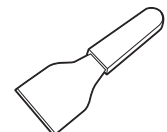
Caulk Gun and Caulk  
(for installing new exhaust vent)



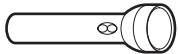
Vent Clamps



Pipe-Joint Compound  
suitable for gas type



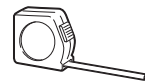
Putty Knife



Flashlight (optional)



1" (25 mm)  
Open-End Wrenches

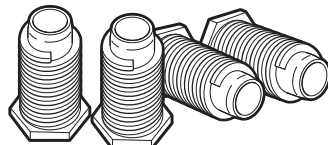


Ruler or Measuring Tape

## Parts Supplied:



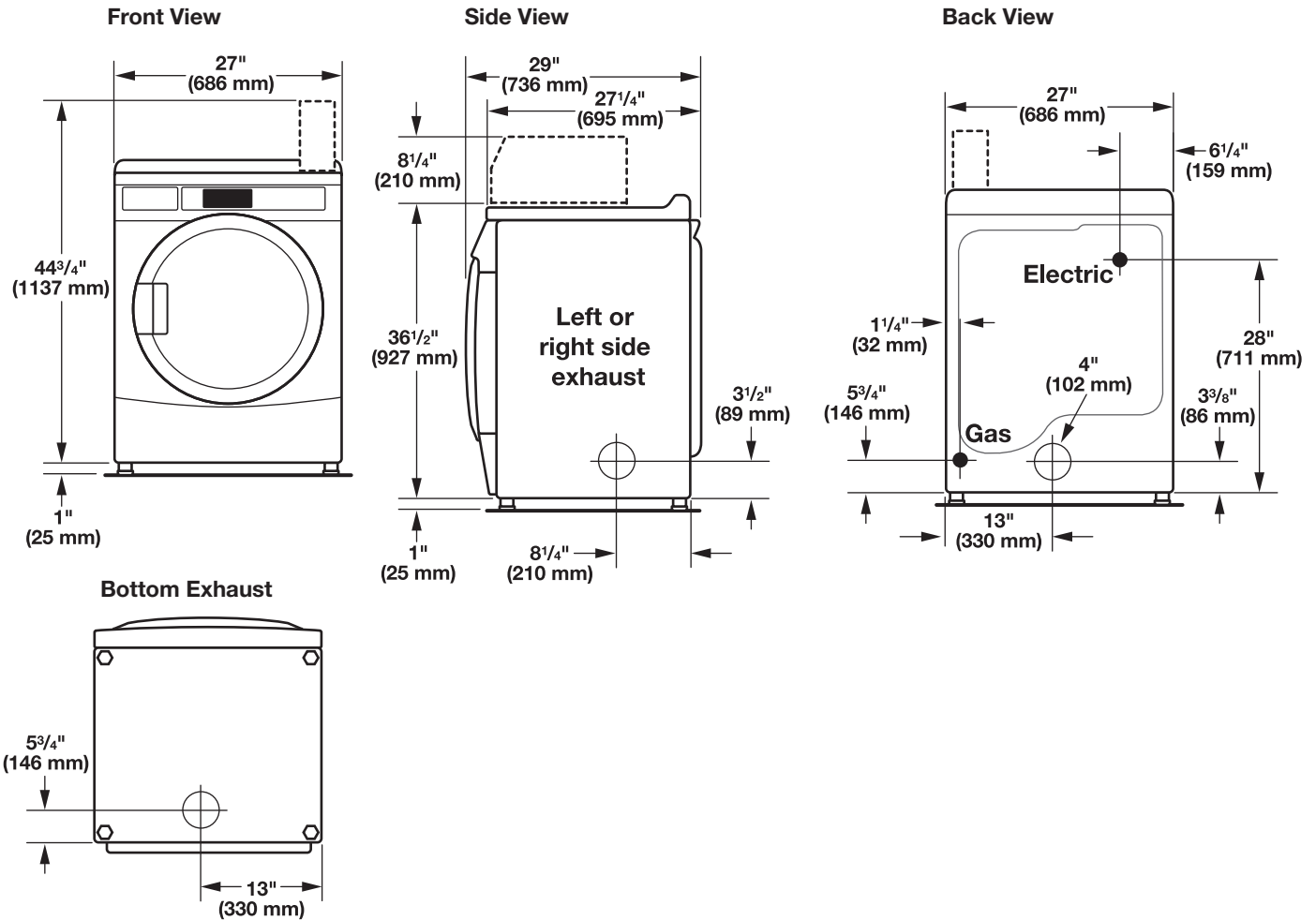
Foot Boots (4)



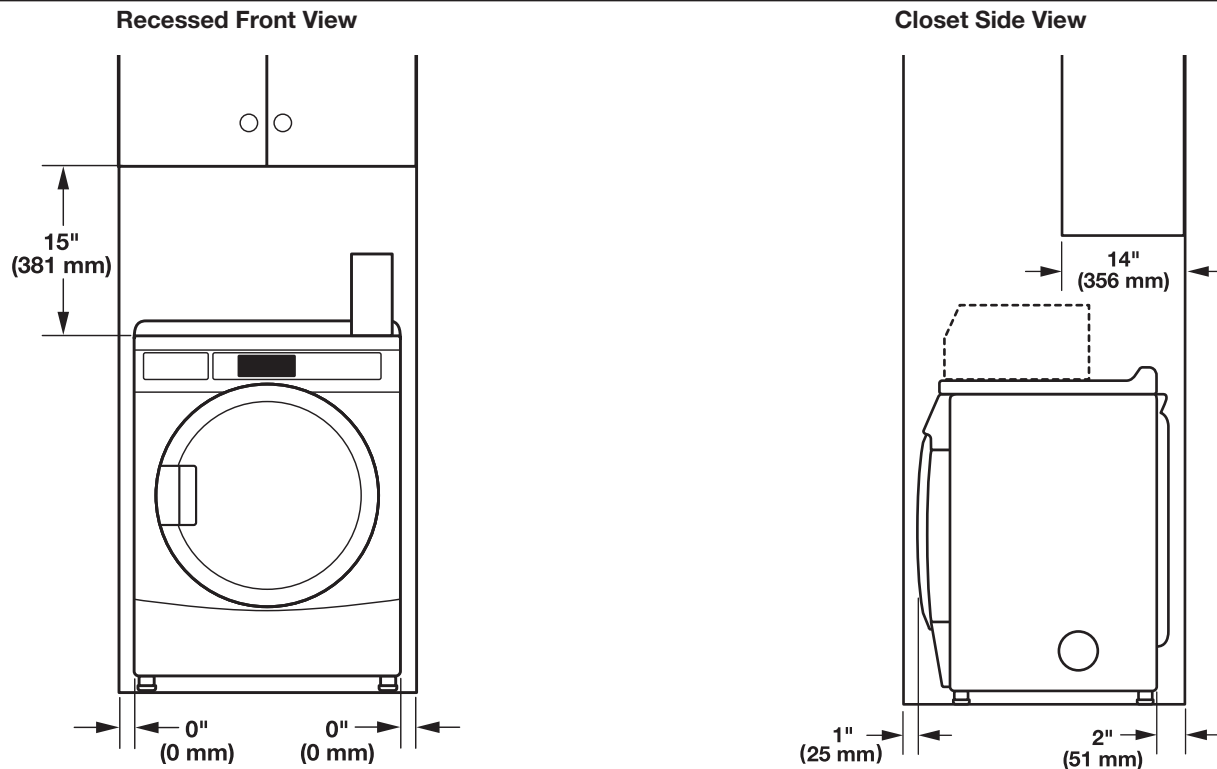
Leveling Legs (4)

# DIMENSIONS/CLEARANCES

## Dimensions



## Clearances



# GAS DRYER INSTALLATION REQUIREMENTS

## Location Requirements

### **⚠ WARNING**



#### **Explosion Hazard**

**Keep flammable materials and vapors, such as gasoline, away from dryer.**

**Do not install in a garage.**

**Failure to do so can result in death, explosion, or fire.**

Your dryer can be installed in a basement, laundry room, or recessed area.

This dryer is not intended for installation in a mobile home.

Companion appliance location requirements should also be considered.

**IMPORTANT:** Do not install or store the dryer where it will be exposed to water and/or the weather. Proper installation is your responsibility.

#### **You will need:**

- A grounded electrical outlet located within 6 ft. (1.8 m) of where the power cord is attached to the back of the dryer. See "Electrical Requirements."
- A level floor with a maximum slope of 1" (25 mm) under entire dryer. Installing the dryer on soft floor surfaces, such as carpets or surfaces with foam backing, is not recommended.

#### **Gas dryer installation clearances**

- The location must be large enough to allow the dryer door to be fully opened.
- Additional spacing should be considered for ease of installation and servicing. The door opens more than 180°.
- Additional clearances might be required for wall, door, and floor moldings.
- Additional spacing of 1" (25 mm) on all sides of the dryer is recommended to reduce noise transfer.

#### **When installing a gas dryer:**

**IMPORTANT:** Observe all governing codes and ordinances.

- Check code requirements: Some codes limit or do not permit installation of clothes dryers in garages, closets, or sleeping quarters. Contact your local building inspector.
- Make sure that lower edges of the cabinet, plus the back and bottom sides of the dryer, are free of obstructions to permit adequate clearance of air openings for combustion air. See "Recessed Area and Closet Installation Instructions" below for minimum spacing requirements.

#### **Recessed Area and Closet Installation Instructions**

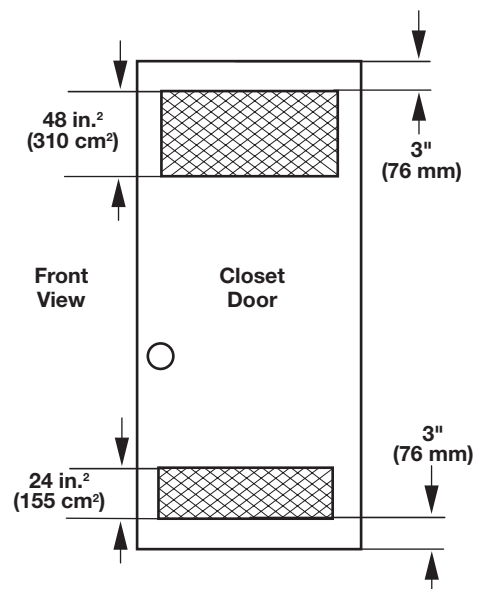
This dryer may be installed in a recessed area or closet. For recessed area and closet installations, minimum clearances can be found on the warning label on the rear of the dryer or in "Dimensions/Clearances."

The installation spacing is in inches and is the minimum allowable. Additional spacing should be considered for ease of installation, servicing, and compliance with local codes and ordinances.

If closet door is installed, the minimum unobstructed air opening in the top and bottom is required. Louvered doors with equivalent air openings are acceptable.

The dryer must be exhausted outdoors.

No other fuel-burning appliance may be installed in the same closet as the dryer.



# GAS DRYER INSTALLATION REQUIREMENTS

## Electrical Requirements

### **⚠ WARNING**



#### **Electrical Shock Hazard**

**Plug into a grounded 3 prong outlet.**

**Do not remove ground prong.**

**Do not use an adapter.**

**Do not use an extension cord.**

**Failure to follow these instructions can result in death, fire, or electrical shock.**

**IMPORTANT:** The dryer must be electrically grounded in accordance with local codes and ordinances or, in the absence of local codes, with the National Electrical Code, ANSI/NFPA 70, latest edition, or Canadian Electrical Code, CSA C22.1. If codes permit and a separate ground wire is used, it is recommended that a qualified electrical installer determine that the ground path is adequate.

A copy of the above code standards can be obtained from:

National Fire Protection Association  
One Batterymarch Park, Quincy, MA 02269

CSA International  
8501 East Pleasant Valley Road  
Cleveland, Ohio 44131-5575

- Do not ground to a gas pipe.
- Do not have a fuse in the neutral or ground circuit.
- A 120 volt, 60 Hz, AC only, 15- or 20-amp, fused electrical circuit is required. A time-delay fuse or circuit breaker is also recommended. It is recommended that a separate circuit serving only this dryer be provided.
- This dryer is equipped with a power supply cord having a 3-prong grounding plug.
- To minimize the possibility of shock, the cord must be plugged into a mating, 3 prong, grounding-type outlet, grounded in accordance with local codes and ordinances. If a mating outlet is not available, it is the personal responsibility and obligation of the customer to have the properly grounded outlet installed by a qualified electrician.
- If codes permit and a separate ground wire is used, it is recommended that a qualified electrician determine that the ground path is adequate.
- Check with a qualified electrician if you are not sure the dryer is properly grounded.

## Gas Dryer Grounding

### **GROUNDING INSTRUCTIONS**

- For a grounded, cord-connected dryer:  
This dryer must be grounded. In the event of malfunction or breakdown, grounding will reduce the risk of electric shock by providing a path of least resistance for electric current. This dryer is equipped with a cord having an equipment-grounding conductor and a grounding plug. The plug must be plugged into an appropriate outlet that is properly installed and grounded in accordance with all local codes and ordinances.

**WARNING:** Improper connection of the equipment-grounding conductor can result in a risk of electric shock. Check with a qualified electrician or service representative or personnel if you are in doubt as to whether the dryer is properly grounded. Do not modify the plug provided with the dryer: if it will not fit the outlet, have a proper outlet installed by a qualified electrician.

### **SAVE THESE INSTRUCTIONS**



# GAS DRYER INSTALLATION REQUIREMENTS

## Gas Supply

### **⚠ WARNING**



#### **Explosion Hazard**

**Use a new CSA International approved gas supply line.**

**Install a shut-off valve.**

**Securely tighten all gas connections.**

**If connected to LP, have a qualified person make sure gas pressure does not exceed 13" (330 mm) water column.**

**Examples of a qualified person include:**

**licensed heating personnel,  
authorized gas company personnel, and  
authorized service personnel.**

**Failure to do so can result in death, explosion, or fire.**

Gas supply pressure required to operate this dryer is a minimum of 5.2" wc (1.30 kPa) and a maximum of 10.5" wc (2.62 kPa).

**IMPORTANT:** Observe all governing codes and ordinances.

This installation must conform with all local codes and ordinances. In the absence of local codes, installation must conform with American National Standard, National Fuel Gas Code ANSI Z223.1/NFPA 54 or CAN/CSA B149.

A copy of the above code standards can be obtained from:

National Fire Protection Association  
One Batterymarch Park, Quincy, MA 02269

CSA International  
8501 East Pleasant Valley Road  
Cleveland, Ohio 44131-5575


The design of this dryer has been certified by CSA International for use at altitudes up to 10,000 feet (3048 m) above sea level at the B.T.U. rating indicated on the model/serial plate. Burner input adjustments are not required when the dryer is operated up to this elevation.

When installed above 10,000 feet (3048 m), a four percent (4%) reduction of the burner B.T.U. rating shown on the model/serial plate is required for each 1,000 foot (305 m) increase in elevation. For assistance when converting to other gas types and/or installing above 10,000 feet (3048 m) elevation, contact your local service company.

# ELECTRIC DRYER INSTALLATION REQUIREMENTS

## Location Requirements

**⚠ WARNING**



**Explosion Hazard**

**Keep flammable materials and vapors, such as gasoline, away from dryer.**

**Do not install in a garage.**

**Failure to do so can result in death, explosion, or fire.**

Your dryer can be installed in a basement, laundry room, or recessed area.

This dryer is not intended for installation in a mobile home.

Companion appliance location requirements should also be considered.

**IMPORTANT:** Do not install or store the dryer where it will be exposed to water and/or the weather. Proper installation is your responsibility.

### You will need:

- A grounded electrical outlet located within 6 ft. (1.8 m) of where the power cord is attached to the back of the dryer. See “Electrical Requirements.”
- A level floor with a maximum slope of 1" (25 mm) under entire dryer. Installing the dryer on soft floor surfaces, such as carpets or surfaces with foam backing, is not recommended.

### Electric dryer installation clearances

- The location must be large enough to allow the dryer door to be fully opened.
- Additional spacing should be considered for ease of installation and servicing. The door opens more than 180°.
- Additional clearances might be required for wall, door, and floor moldings.
- Additional spacing of 1" (25 mm) on all sides of the dryer is recommended to reduce noise transfer.

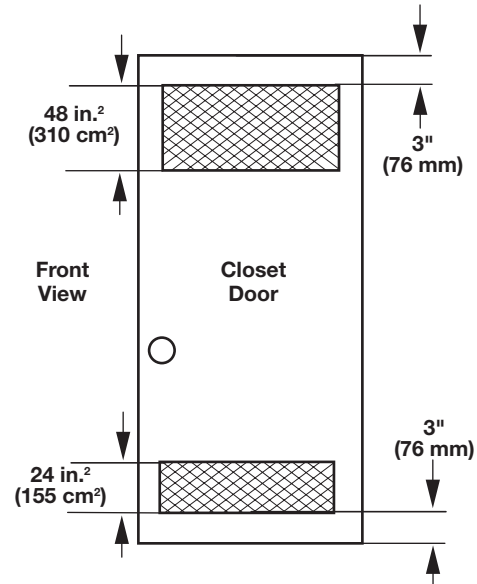
### Recessed Area and Closet Installation Instructions

This dryer may be installed in a recessed area or closet. For recessed area and closet installations, minimum clearances can be found on the warning label on the rear of the dryer or in “Dimensions/Clearances.”

The installation spacing is in inches and is the minimum allowable. Additional spacing should be considered for ease of installation, servicing, and compliance with local codes and ordinances.

If closet door is installed, the minimum unobstructed air opening in the top and bottom is required. Louvered doors with equivalent air openings are acceptable.

The dryer must be exhausted outdoors.



## Electrical Requirements – U.S.A. only

### It is your responsibility:

- To contact a qualified electrical installer.
- To be sure that the electrical connection is adequate and in conformance with the National Electrical Code, ANSI/NFPA 70-latest edition and all local codes and ordinances.
- The National Electrical Code requires a 4-wire power supply connection for homes built after 1996, dryer circuits involved in remodeling after 1996, and all mobile home installations.
- A copy of the above code standards can be obtained from: National Fire Protection Association, One Batterymarch Park, Quincy, MA 02269.
- To supply the required 3 or 4 wire, single phase, 120/240 volt, 60 Hz., AC only electrical supply (or 3 or 4 wire, 120/208 volt electrical supply, if specified on the serial/rating plate) on a separate 30-amp circuit, fused on both sides of the line. A time delay fuse or circuit breaker is recommended. Connect to an individual branch circuit. Do not have a fuse in the neutral or grounding circuit.
- Do not use an extension cord.
- If codes permit and a separate ground wire is used, it is recommended that a qualified electrician determine that the ground path is adequate.

# ELECTRIC DRYER INSTALLATION REQUIREMENTS

## Electrical Requirements – U.S.A. only (cont.)

### Electrical Connection

To properly install your dryer, you must determine the type of electrical connection you will be using and follow the instructions provided for it here.

- This dryer is manufactured ready to install with a 3-wire electrical supply connection. The neutral ground conductor is permanently connected to the neutral conductor (white wire) within the dryer. If the dryer is installed with a 4-wire electrical supply connection, the neutral ground conductor must be removed from the external ground connector (green screw), and secured under the neutral terminal (center or white wire) of the terminal block. When the neutral ground conductor is secured under the neutral terminal (center or white wire) of the terminal block, the dryer cabinet is isolated from the neutral conductor.
- If local codes do not permit the connection of a neutral ground wire to the neutral wire, see “Optional 3-wire connection” section.
- A 4-wire power supply connection must be used when the appliance is installed in a location where grounding through the neutral conductor is prohibited. Grounding through the neutral is prohibited for (1) new branch-circuit installations and (2) areas where local codes prohibit grounding through the neutral conductor.

### Electric Dryer Grounding

#### GROUNDING INSTRUCTIONS

- For a grounded, cord-connected dryer:  
This dryer must be grounded. In the event of malfunction or breakdown, grounding will reduce the risk of electric shock by providing a path of least resistance for electric current. This dryer uses a cord having an equipment-grounding conductor and a grounding plug. The plug must be plugged into an appropriate outlet that is properly installed and grounded in accordance with all local codes and ordinances.
- For a permanently connected dryer:  
This dryer must be connected to a grounded metal, permanent wiring system, or an equipment-grounding conductor must be run with the circuit conductors and connected to the equipment-grounding terminal or lead on the dryer.

**WARNING:** Improper connection of the equipment-grounding conductor can result in a risk of electric shock. Check with a qualified electrician or service representative or personnel if you are in doubt as to whether the dryer is properly grounded. Do not modify the plug on the power supply cord: if it will not fit the outlet, have a proper outlet installed by a qualified electrician.

**SAVE THESE INSTRUCTIONS**

### Electric Dryer Power Supply Cord

#### **WARNING**



#### Fire Hazard

- Use a new UL listed 30 amp power supply cord.**
- Use a UL listed strain relief.**
- Disconnect power before making electrical connections.**
- Connect neutral wire (white or center wire) to center terminal.**
- Ground wire (green or bare wire) must be connected to green ground connector.**
- Connect remaining 2 supply wires to remaining 2 terminals (gold).**
- Securely tighten all electrical connections.**
- Failure to do so can result in death, fire, or electrical shock.**

#### If using a power supply cord:

Use a UL listed power supply cord kit marked for use with clothes dryers. The kit should contain:

- A UL listed 30-amp power supply cord, rated 120/240 volt minimum. The cord should be type SRD or SRDT and be at least 4 ft. (1.22 m) long. The wires that connect to the dryer must end in ring terminals or “U” shaped spade terminals with upturned ends.
- A UL listed strain relief.

#### If your outlet looks like this:



**4-wire  
receptacle  
(14-30R)**

Then choose a 4-wire power supply cord with ring or spade terminals and UL listed strain relief. The 4-wire power supply cord, at least 4 ft. (1.22 m) long, must have four 10-gauge copper wires and match a 4-wire receptacle of NEMA Type 14-30R. The ground wire (ground conductor) may be either green or bare. The neutral conductor must be identified by a white cover.

#### If your outlet looks like this:




**3-wire  
receptacle  
(10-30R)**

Then choose a 3-wire power supply cord with ring or spade terminals and UL listed strain relief. The 3-wire power supply cord, at least 4 ft. (1.22 m) long, must have three 10-gauge copper wires and match a 3-wire receptacle of NEMA Type 10-30R.

# ELECTRIC DRYER INSTALLATION REQUIREMENTS

## Direct Wire

**⚠ WARNING**



**Fire Hazard**

**Use 10 gauge copper wire.**

**Use a UL listed strain relief.**

**Disconnect power before making electrical connections.**

**Connect neutral wire (white or center wire) to center terminal.**

**Ground wire (green or bare wire) must be connected to green ground connector.**

**Connect remaining 2 supply wires to remaining 2 terminals (gold).**

**Securely tighten all electrical connections.**

**Failure to do so can result in death, fire, or electrical shock.**


### If connecting by direct wire:

Power supply cable must match power supply (4-wire or 3-wire) and be:

- Flexible armored cable or nonmetallic sheathed copper cable (with ground wire), covered with flexible metallic conduit. All current-carrying wires must be insulated.
- 10-gauge solid copper wire (do not use aluminum).
- At least 5 ft. (1.52 m) long.

## Electrical Requirements – Canada only

**⚠ WARNING**



**Electrical Shock Hazard**

**Plug into a grounded 4 prong outlet.**

**Failure to do so can result in death or electrical shock.**

- Do not use an extension cord.

If you are using a replacement power supply cord, it is recommended that you use Power Supply Cord Replacement Part Number 8579325. For further information, please reference the service numbers located in the “Assistance or Service” section.

### GROUNDING INSTRUCTIONS

- For a grounded, cord-connected dryer:  
This dryer must be grounded. In the event of malfunction or breakdown, grounding will reduce the risk of electric shock by providing a path of least resistance for electric current. This dryer is equipped with a cord having an equipment-grounding conductor and a grounding plug. The plug must be plugged into an appropriate outlet that is properly installed and grounded in accordance with all local codes and ordinances.

**WARNING:** Improper connection of the equipment-grounding conductor can result in a risk of electric shock. Check with a qualified electrician or service representative or personnel if you are in doubt as to whether the dryer is properly grounded. Do not modify the plug provided with the dryer: if it will not fit the outlet, have a proper outlet installed by a qualified electrician.

### SAVE THESE INSTRUCTIONS

### It is your responsibility:

- To contact a qualified electrical installer.
- To be sure that the electrical connection is adequate and in conformance with the Canadian Electrical Code, C22.1 – latest edition and all local codes. A copy of the above codes standard may be obtained from: Canadian Standards Association, 178 Rexdale Blvd., Toronto, ON M9W 1R3 CANADA.
- To supply the required 4 wire, single phase, 120/240 volt, 60 Hz., AC only electrical supply on a separate 30-amp circuit, fused on both sides of the line. A time-delay fuse or circuit breaker is recommended. Connect to an individual branch circuit.
- This dryer is equipped with a CSA International Certified Power Cord intended to be plugged into a standard 14-30R wall receptacle. The cord is 5 ft (1.52 m) in length. Be sure wall receptacle is within reach of dryer's final location.



4-wire  
receptacle  
(14-30R)

# DRYER VENTING REQUIREMENTS

## ⚠ WARNING



### Fire Hazard

Use a heavy metal vent.

Do not use a plastic vent.

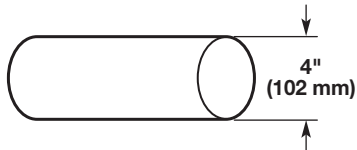
Do not use a metal foil vent.

Failure to follow these instructions can result in death or fire.

**WARNING:** To reduce the risk of fire, this dryer MUST BE EXHAUSTED OUTDOORS.

**IMPORTANT:** Observe all governing codes and ordinances.

Dryer exhaust must not be connected into any gas vent, chimney, wall, ceiling, attic, crawlspace, or a concealed space of a building. Only rigid or flexible metal vent shall be used for exhausting.



4" (102 mm) heavy, metal exhaust vent

- Only a 4" (102 mm) heavy, metal exhaust vent and clamps may be used.
- Do not use plastic or metal foil vent.

### Rigid metal vent:

- Recommended for best drying performance and to avoid crushing and kinking.

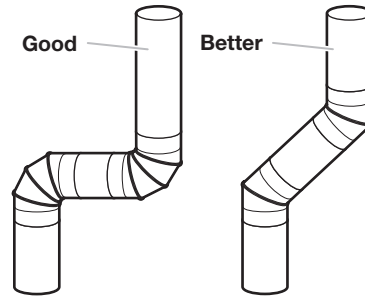
### Flexible metal vent: (Acceptable only if accessible to clean)

- Must be fully extended and supported in final dryer location.
- Remove excess to avoid sagging and kinking that may result in reduced airflow and poor performance.
- Do not install in enclosed walls, ceilings, or floors.
- The total length should not exceed 7¾ ft. (2.4 m).

**NOTE:** If using an existing vent system, clean lint from entire length of the system and make sure exhaust hood is not plugged with lint. Replace plastic or metal foil vents with rigid metal or flexible metal vents. Review "Vent System Chart" and if necessary, modify existing vent system to achieve best drying performance.

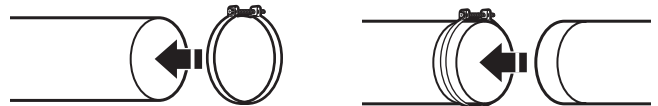
### Elbows:

- 45° elbows provide better airflow than 90° elbows.



### Clamps:

- Use clamps to seal all joints.
- Exhaust vent must not be connected or secured with screws or other fastening devices that extend into interior of duct and catch lint. Do not use duct tape.



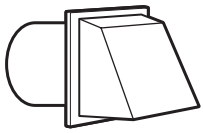
### Improper venting can cause moisture and lint to collect indoors, which may result in:

- Moisture damage to woodwork, furniture, paint, wallpaper, carpets, etc.
- Housecleaning problems and health problems.

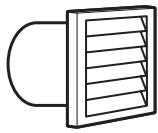
# DRYER VENTING REQUIREMENTS

## Vent Hoods

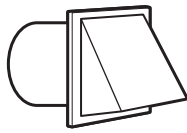
### 4" (102 mm) Diameter Exhaust Hoods



Box Hood

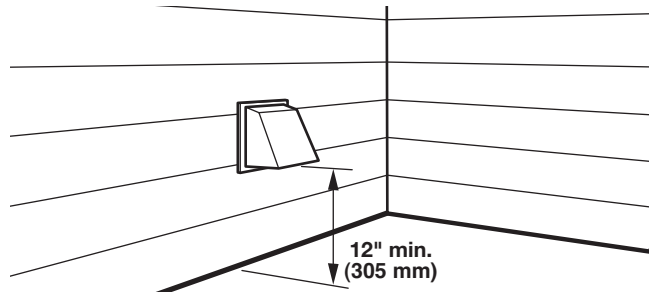


Louvered Hood



Angled Hood

Exhaust hood must be at least 12" (305 mm) from the ground or any object that may be in the path of the exhaust (such as flowers, rocks, bushes, or snow).



## Vent System Length

### Maximum Vent Length/Vent Connection

Maximum length of vent system depends upon the type of vent used, number of elbows, and type of exhaust hood.

Vent System Chart (Rigid Metal Vent)

No. of 90° Turns	Box and Louvered Hood	Angled Hood
0	130 ft. (39.6 m)	129 ft. (39.3 m)
1	125 ft. (38.1 m)	119 ft. (36.3 m)
2	115 ft. (35.1 m)	109 ft. (33.2 m)
3	106 ft. (32.3 m)	100 ft. (30.5 m)
4	98 ft. (29.9 m)	92 ft. (28.0 m)

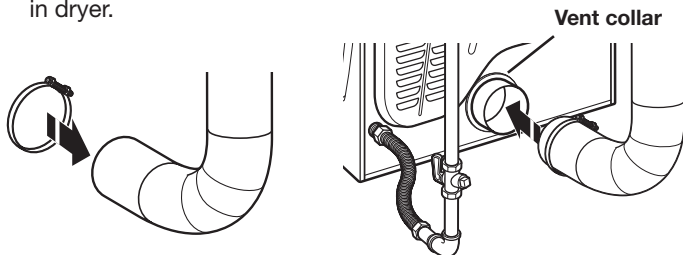
For vent systems not covered by the vent specification chart, see your parts distributor.

Provision must be made for enough air for combustion and ventilation. (Check governing codes and ordinances.) See "Recessed Area and Closet Installation Instructions" in the "Location Requirements" sections.

A 4" (102 mm) outlet hood is preferred. However, a 2½" (64 mm) outlet exhaust hood may be used. A 2½" (64 mm) outlet creates greater back pressure than other hood types. For permanent installation, a stationary vent system is required.

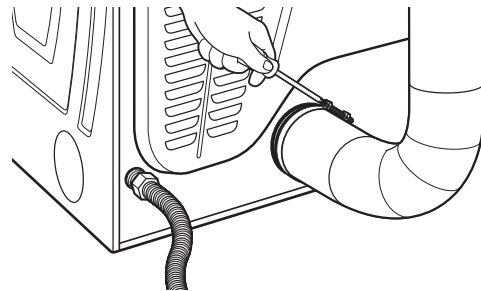
### Connect Vent

1. If connecting to existing vent, make sure the vent is clean.
2. Using a 4" (102 mm) clamp, connect vent to exhaust outlet in dryer.

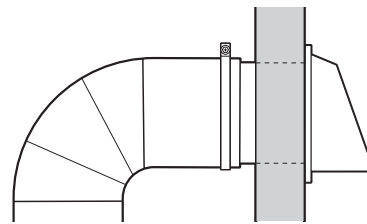


**NOTE:** Do not remove vent collar.

3. Tighten hose clamp with Phillips screwdriver.



4. Make sure the vent is secured to exhaust hood with a 4" (102 mm) clamp.

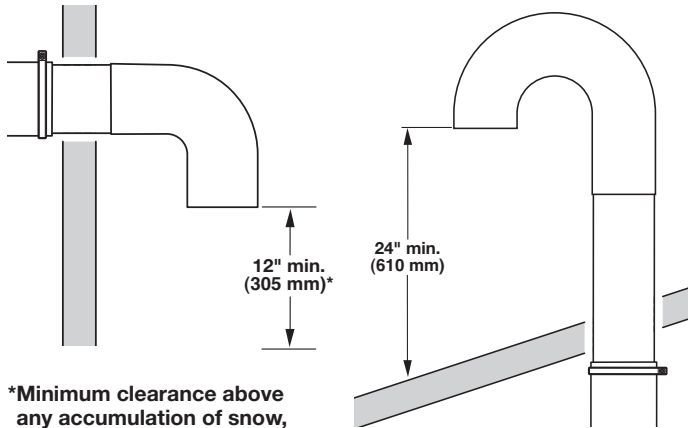


5. Move dryer into final position. Do not crush or kink vent. Make sure dryer is level.

# DRYER VENTING REQUIREMENTS

## If an Exhaust Hood Cannot be Used

The outside end of main vent should have a sweep elbow directed downward.



\*Minimum clearance above any accumulation of snow, ice, or debris such as leaves

If main vent travels vertically through the roof, rather than through wall, install a 180° sweep elbow on end of vent at least 2 ft. (610 mm) above surface of roof.

The opening in wall or roof shall have a diameter 1/2" (13 mm) larger than vent diameter. Vent should be centered in opening.

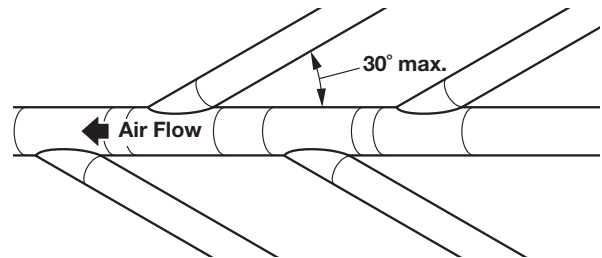
Do not install screening over end of vent for best performance.

## Multiple Dryer Venting

A main vent can be used for venting a group of dryers. The main vent should be sized to remove 5663 l/min. (200 CFM) of air per dryer. Large-capacity lint screens of proper design may be used in main vent if checked and cleaned frequently. The room where the dryers are located should have make-up air equal to or greater than CFM of all the dryers in the room.

Back-draft Damper Kit is available from your distributor and should be installed in the vent of each dryer to keep exhausted air from returning into dryers and to keep exhaust in balance within main vent. Unobstructed return air openings are required.

Each vent should enter the main vent at an angle pointing in the direction of the airflow. Vents entering from the opposite side should be staggered to reduce the exhausted air from interfering with the other vents.



The maximum angle of each vent entering the main vent should be no more than 30°.

Keep air openings free of dry cleaning fluid fumes. Fumes create acids which, when drawn through the dryer heating units, can damage dryers and items being dried.

A clean-out cover should be located on the main vent for periodic cleaning of the vent system.

# GAS SUPPLY CONNECTION

## Make Gas Connection

### **⚠ WARNING**

#### **Excessive Weight Hazard**

**Use two or more people to move and install dryer.**

**Failure to do so can result in back or other injury.**

1. Remove red cap from gas pipe on back of dryer.
2. Connect gas supply to dryer. Use a pipe thread compound approved for the type of gas supplied. If flexible metal tubing is used, be certain there are no kinks.  
If necessary for service, open the front lower service panel by using a 1/4" nutdriver to remove the 2 hex-head screws from the bottom of the panel. Then lift up on the panel while pulling the bottom of the panel away from the dryer.
3. Open the shut-off valve in the gas supply line and make sure the dryer has its own gas supply opened.
4. Test all connections by brushing on an approved noncorrosive leak-detection solution. Bubbles will show a leak. Correct any leaks found.

# GAS SUPPLY CONNECTION

## Type of Gas

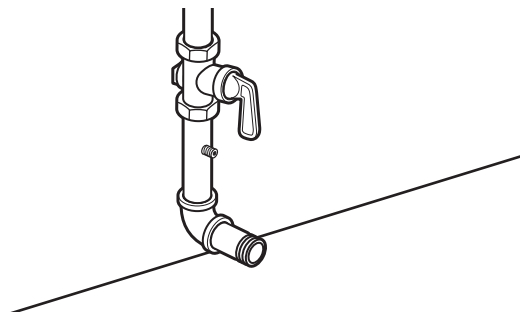
This dryer is equipped for use with natural gas. It is design-certified by CSA International for LP (propane and butane) gases with appropriate conversion. No attempt shall be made to convert dryer from gas specified on serial/rating plate for use with a different gas without consulting the serving gas supplier. Conversion must be done by a qualified service technician.

Gas conversion kit part numbers are listed on gas valve burner base.

## Gas Supply Line

### Recommended Method

Provide a gas supply line of 1/2" (13 mm) rigid (IPS) pipe to dryer location. Pipe joint compounds that resist action of LP gas must be used. Do not use TEFLON<sup>®†</sup> tape. With LP gas, piping or tubing size can be 1/2" (13 mm) minimum. Usually, LP gas suppliers determine size and materials used in the system.



### Gas Supply Pressure Testing

A 1/8" NPT minimum plugged tapping, accessible for gauge testing, must be installed immediately downstream of the installed shut-off valve to the dryer (as shown above). The dryer must be disconnected from the gas supply piping system during any pressure testing of the system at test pressures in excess of 1/2" psig (352 kg/m<sup>2</sup>).

### Alternate Method

The gas supply may also be connected using 3/8" (10 mm) approved copper or aluminum tubing. If the total length of the supply line is more than 20 ft. (6.1 m), larger tubing will be required.

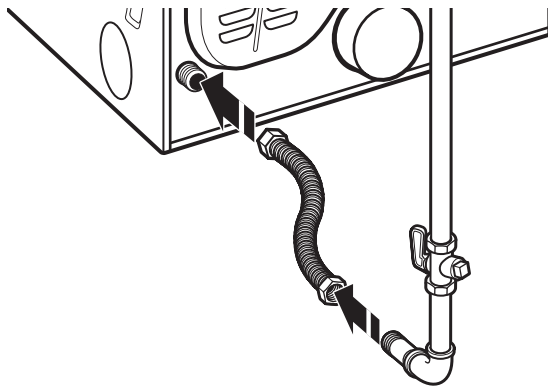
If using natural gas, do not use copper tubing. Pipe joint compounds that resist action of type of gas supplied must be used.

### Shut-off valve required

The supply line must be equipped with a manual shut-off valve installed within 6 ft. (1.8 m) of dryer in accordance with National Fuel Gas Code, ANSI Z223.1. This valve should be located in same room as dryer. It should be in a location that allows ease of opening and closing. Do not block access to shut-off valve. In Canada, an individual manual shut-off valve must be installed in accordance with the B149 installation codes CAN/CGA B149.1 and CAN/CGA B149.2.

### Flexible Metal Appliance Connector

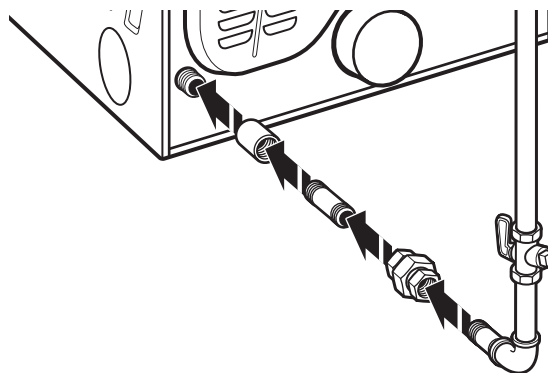
It is recommended that a new flexible stainless steel gas line, design-certified by CSA International, be used for connecting the dryer to the gas supply line. (The gas pipe which extends through the lower rear of the dryer is provided with 3/8" male pipe thread.)



**NOTE:** Do not kink or damage the flexible stainless steel gas line when moving the dryer.

### Rigid Pipe Connection

The rigid pipe connection requires a combination of pipe fittings to obtain an in-line connection to the dryer.





# INSTALLING LEVELING LEGS, COIN SLIDE, AND COIN BOX

The coin slide mechanism, control panel lock and key, and coin box lock and key are not included and are available from usual industry sources. A special coin slide extension must be used on this model and can be purchased from the coin slide distributor.

## **⚠ WARNING**

### **Excessive Weight Hazard**

**Use two or more people to move and install dryer.**

**Failure to do so can result in back or other injury.**

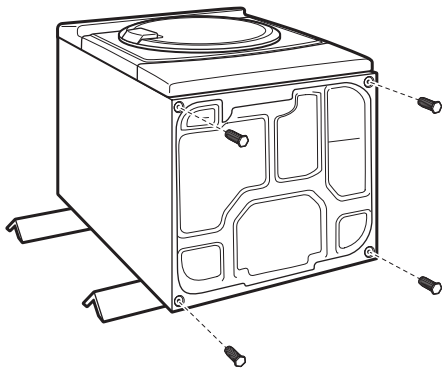
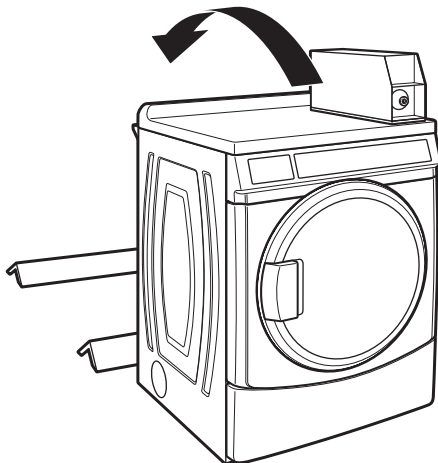
### **1. Prepare dryer for leveling legs**

**NOTE:** Slide dryer onto cardboard or hardboard before moving to avoid damaging floor covering.

Using two or more people, move dryer to desired installation location.

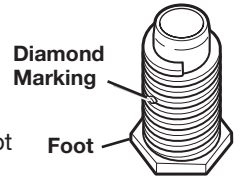
Take tape off front corners of dryer. Open dryer and remove the literature and parts packages. Wipe drum interior with damp cloth to remove any dust.

Take two cardboard corners from the dryer carton and place them on the floor in back of the dryer. Firmly grasp body of the dryer and gently lay it on its back on the cardboard corners.



### **2. Screw in leveling legs**

Examine leveling legs and find diamond marking. Screw legs into leg holes by hand. Use an adjustable wrench or 1" (25 mm) hex-head socket wrench to finish turning legs until diamond marking is no longer visible. Then fit a covered foot boot over each leg foot.

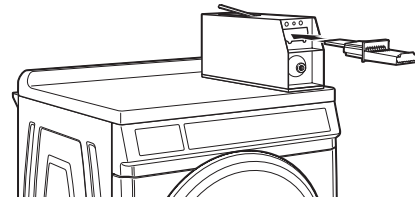


To protect the floor, use a large piece of cardboard from the dryer carton. Stand dryer up on the cardboard. Slide the dryer until it is close to its final location. Leave enough room for electrical connection and to connect the exhaust vent.

**On some models:** The meter case houses the factory-installed coin slide mechanism, service lock and key, and coin box lock and key.

### **3. Install coin slide and coin box**

Remove the service door of the meter case by lifting it up at the back. Install the money-accepting device. (Refer to manufacturer's instructions for proper installation.)



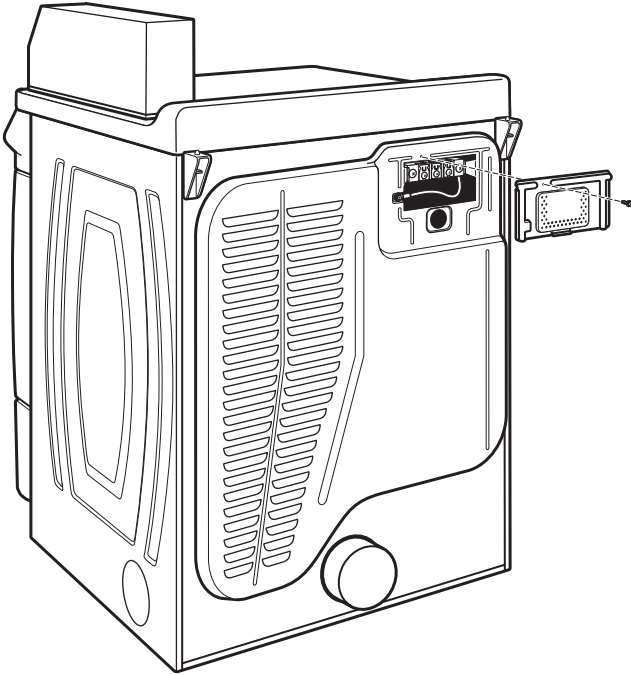
Replace the meter case service door. Put the coin vault with lock and key in the meter case opening.

Remove cardboard or hardboard from under dryer. Adjust the legs of the dryer up or down until the dryer is level.

# ELECTRIC DRYER ELECTRICAL CONNECTIONS

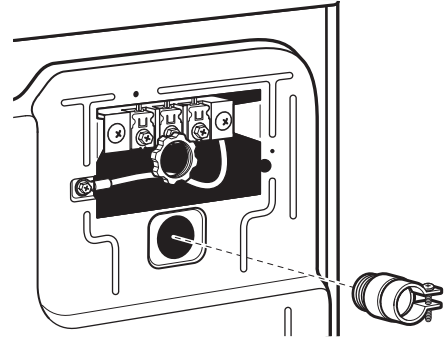
## Strain Relief

### Remove Terminal Block Cover

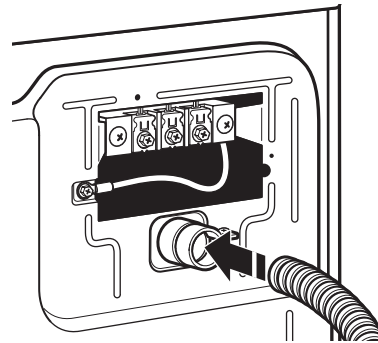


### Direct Wire Strain Relief

1. Insert strain relief.

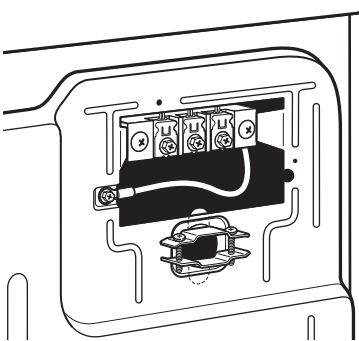


2. Insert conduit into strain relief and tighten clamp.

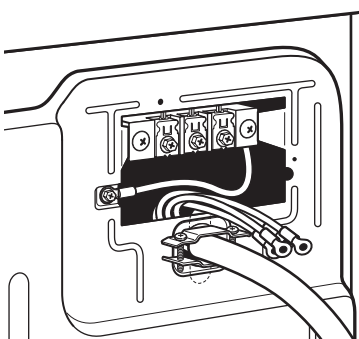


### Power Supply Cord Strain Relief

1. Insert strain relief.



2. Insert power cord into strain relief.

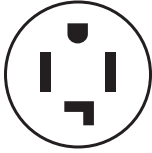


# ELECTRIC DRYER ELECTRICAL CONNECTIONS

## Connection Options

### Power Cord

4-wire receptacle (NEMA Type 14-30R)

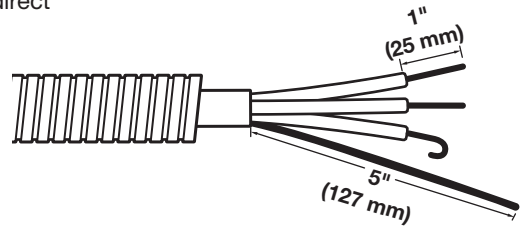


3-wire receptacle (NEMA Type 10-30R)

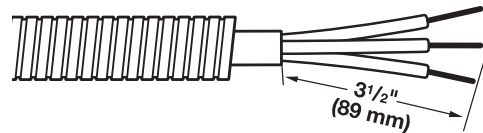


### Direct Wire

4-wire direct



3-wire direct



## Connecting 4-Wire Connection: Power Supply Cord

**IMPORTANT:** A 4-wire connection is required for mobile homes and where local codes do not permit the use of 3-wire connections.

### Standard Power Supply Cord Connectors



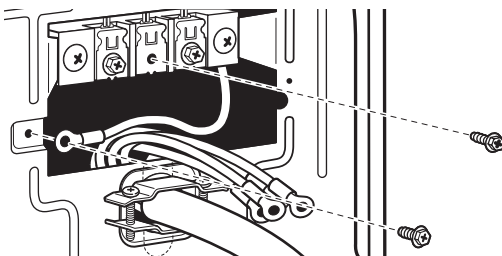
Flanged Spade Connector



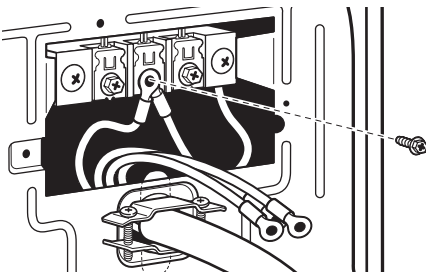
Ring Connector

### Connecting Ground and Neutral Wires

1. Remove center terminal block screw and the ground wire by removing the external ground connector screw.

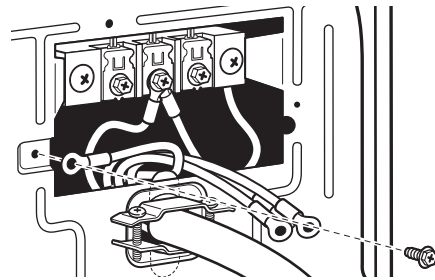


2. Connect ground and neutral wire to center terminal block.



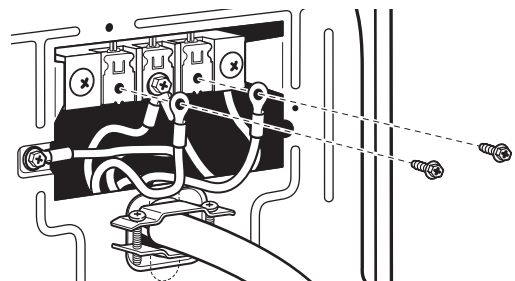
### Connecting Power Cord Ground Wire

3. Connect ground wire (green or bare) with external ground connector screw.



### Connecting Remaining Wires

4. Connect remaining wires with outer terminal block screws.



# ELECTRIC DRYER ELECTRICAL CONNECTIONS

## Connecting 3-Wire Connection: Power Supply Cord

### Standard Power Cord Connectors



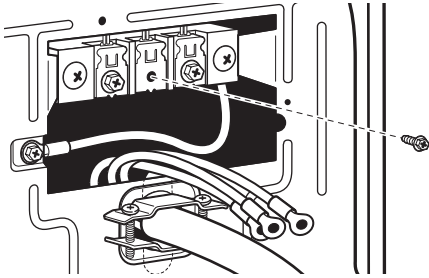
Flanged Spade Connector



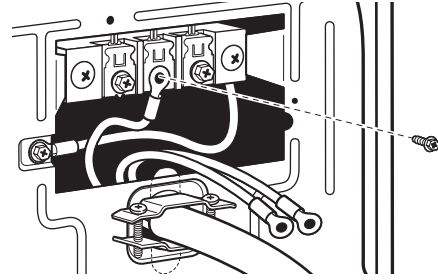
Ring Connector

### Connecting Neutral Wire

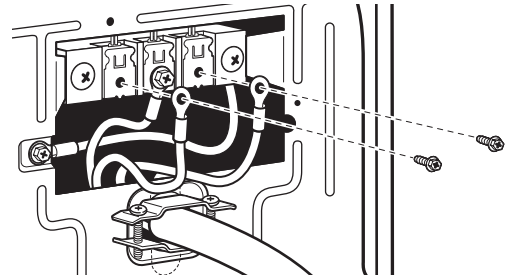
1. Loosen or remove center terminal block screw.



2. Connect neutral wire to center terminal block.



3. Connect remaining wires with outer terminal block screws.



## Connecting 4-Wire Connection: Direct Wire

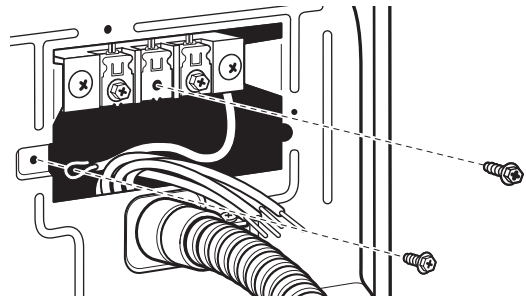
**IMPORTANT:** A 4-wire connection is required for mobile homes and where local codes do not permit the use of 3-wire connections.

Direct wire cable must have 5 ft. (1.52 m) of extra length so dryer can be moved if needed.

Strip 5" (127 mm) of outer covering from end of cable, leaving bare ground wire at 5" (127 mm). Cut 1½" (38 mm) from 3 remaining wires. Strip insulation back 1" (25 mm). Shape ends of wires into a hook shape.

### Connecting Ground and Neutral Wires

1. Remove center terminal block screw and the ground wire by removing the external ground connector screw.

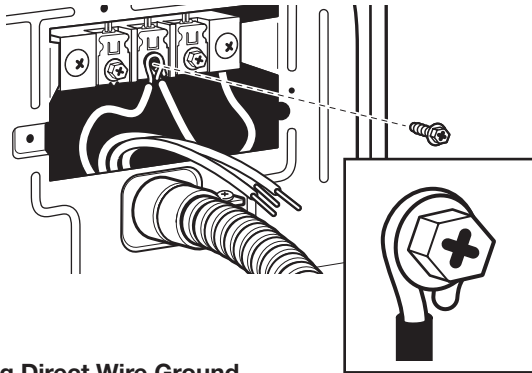


# ELECTRIC DRYER ELECTRICAL CONNECTIONS

## Connecting 4-Wire Connection: Direct Wire

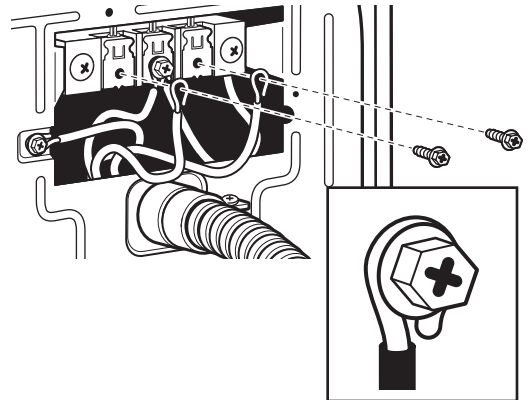
### Connecting Ground and Neutral Wires (cont.)

2. Connect ground and neutral wire to center terminal block.



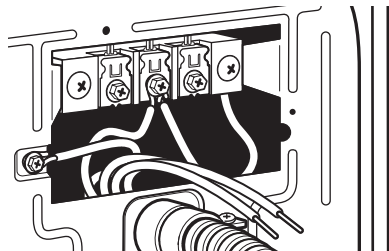
### Connecting Remaining Wires

4. Connect remaining wires to outer terminal block.



### Connecting Direct Wire Ground

3. Connect ground wire (green or bare) with external ground connector screw.



## Connecting 3-Wire Connection: Direct Wire

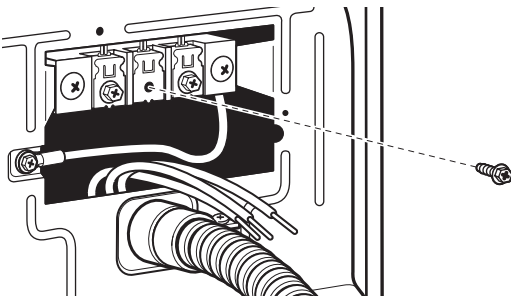
### Use where local codes permit connecting cabinet-ground conductor to neutral wire.

Direct wire cable must have 5 ft. (1.52 m) of extra length so dryer can be moved if needed.

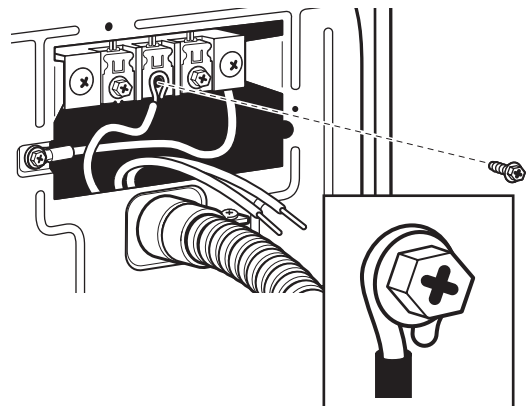
Strip 3½" (89 mm) of outer covering from end of cable. Strip insulation back 1" (25 mm). If using 3-wire cable with ground wire, cut bare wire even with outer covering. Shape ends of wires into a hook shape.

### Connecting Neutral Wire

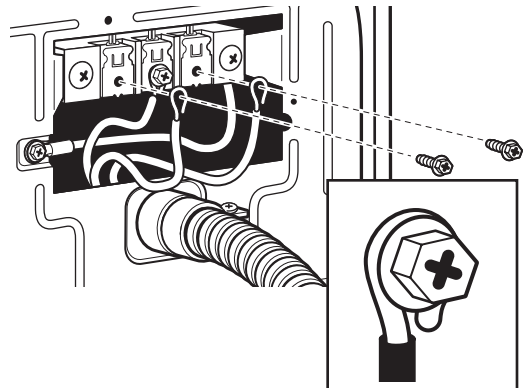
1. Loosen or remove center terminal block screw.



2. Connect neutral wire to center terminal block.



3. Connect remaining wires to outer terminal block.



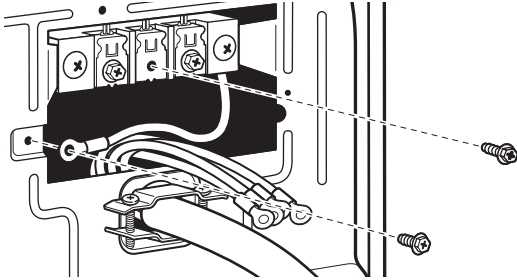
# ELECTRIC DRYER ELECTRICAL CONNECTIONS

## Connecting 3-Wire Connection: Optional

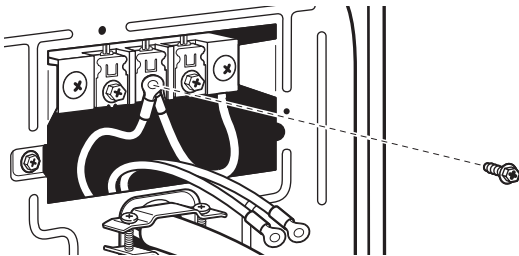
Use for direct wire or power supply cord where local codes do not permit connecting cabinet-ground conductor to neutral wire.

### Connecting Neutral Wire

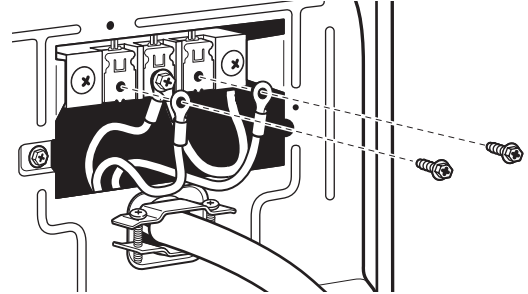
1. Remove center terminal block screw. Also remove neutral ground wire by removing external ground conductor screw.



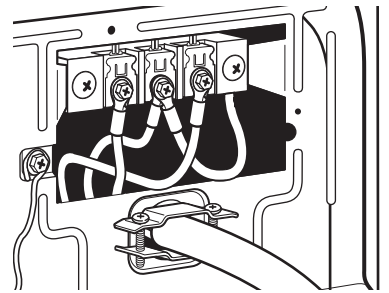
2. Connect neutral wire and neutral wire of power supply cord/cable to center terminal block.



3. Connect remaining wires to outer terminal block.



4. Connect a separate copper ground wire from the external ground conductor to an adequate ground.



## LEVELING

Leveling your dryer properly reduces excess noise and vibration.

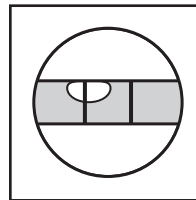
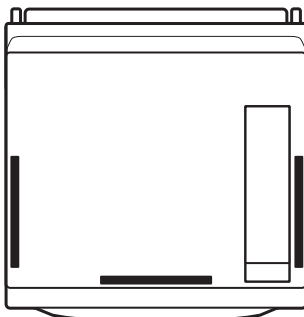
### **⚠ WARNING**

#### **Excessive Weight Hazard**

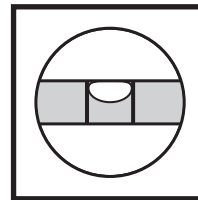
**Use two or more people to move and install dryer.**

**Failure to do so can result in back or other injury.**

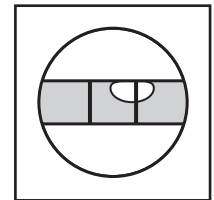
1. Remove cardboard from beneath dryer. Place a level on top edges of dryer, checking each side and front. If not level, tip dryer and adjust feet up or down, repeating as necessary.



Not Level

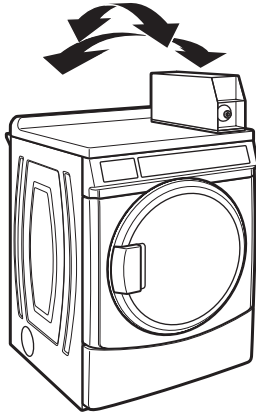


LEVEL



Not Level

2. Grip dryer from top and rock back and forth, making sure all four feet are firmly on floor. Repeat, rocking dryer from side to side. If dryer rocks, adjust leveling feet.



3. If dryer is not level, turn the leveling feet counterclockwise to lower the dryer or clockwise to raise the dryer. Recheck levelness of dryer and that all four feet are firmly in contact with the floor. Repeat as needed.

**HELPFUL TIP:** You may want to prop up front of dryer about 4" (102 mm) with a wood block or similar object that will support weight of dryer.

## COMPLETE INSTALLATION

1. Check the electrical requirements. Be sure that you have the correct electrical supply and the recommended grounding method. See "Electrical Requirements."
2. Check that all parts are now installed. If there is an extra part, go back through the steps.
3. Check that you have all of your tools.
4. Dispose of/recycle all packaging materials.

6. Check dryer operation. Close dryer door. Insert coins in slide and press slide in slowly. Select the Whites and Colors cycle and let the dryer run for at least five minutes.

**NOTE:** Dryer door must be closed for dryer to operate.

7. Open the dryer door. Check that the inside of the dryer is warm. If the burner does not ignite and you can feel no heat inside the dryer, shut off dryer for five minutes. Check that all supply valve controls are in "ON" position and that the electrical cord is plugged in. Repeat five-minute test.
8. If drying time is too long, make sure that the lint screen is clean and that there are no obstructions to airflow in the dryer vent system.
9. Restart the dryer and allow it to complete a full cycle to make sure it is working properly.

### **⚠ WARNING**



#### **Electrical Shock Hazard**

**Plug into a grounded 3 prong outlet.**

**Do not remove ground prong.**

**Do not use an adapter.**

**Do not use an extension cord.**

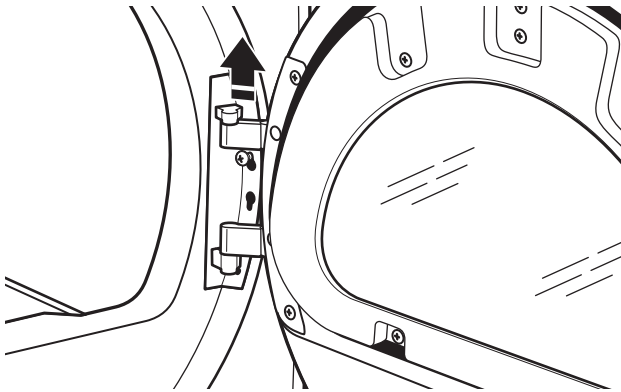
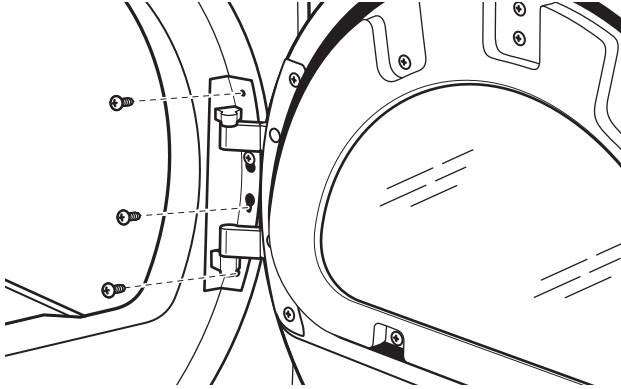
**Failure to follow these instructions can result in death, fire, or electrical shock.**

5. Plug into a grounded outlet, or connect power.

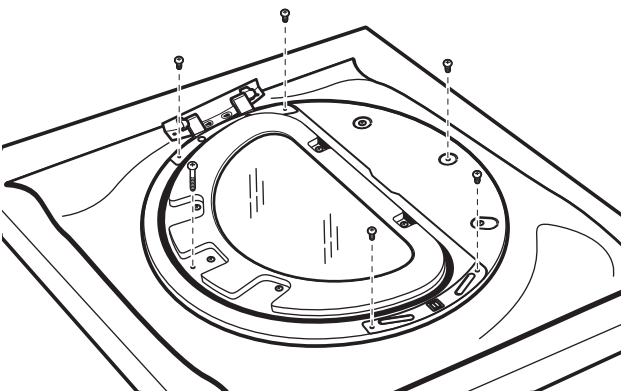
# REVERSING DRYER DOOR SWING (OPTIONAL)

## Remove the Door Assembly

1. Place a towel or soft cloth on top of dryer or work space to avoid scratching of the surface.
2. Remove 3 of the 4 screws that hold the door hinge on the front panel of the dryer. Partially loosen the remaining screw with keyhole opening and lift the door off the screw.

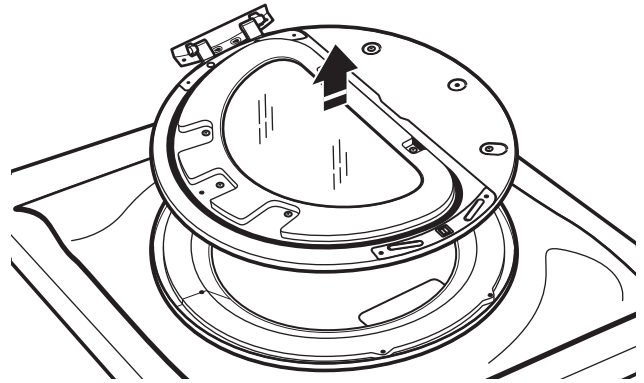


3. Lay the door assembly on a previously prepared flat surface with the inside (inner door assembly) facing up, and remove 6 phillips-head screws to release outer door assembly from inner door assembly.

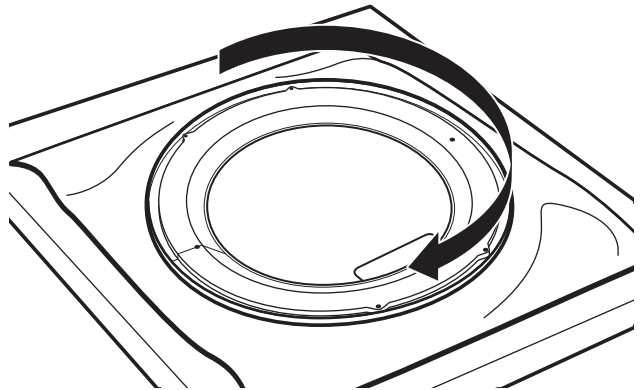


**NOTE:** It is important that you remove only 6 indicated screws.

4. Lift the inner door assembly off outer door assembly.

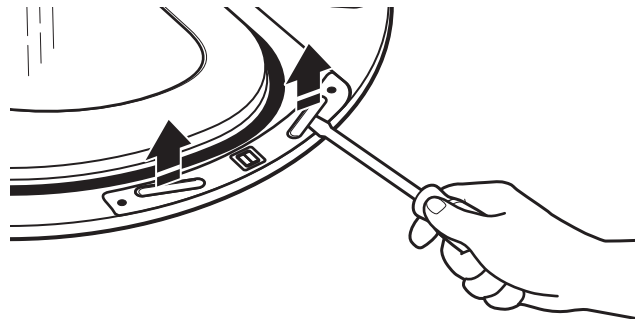


5. Rotate outer door 180°.

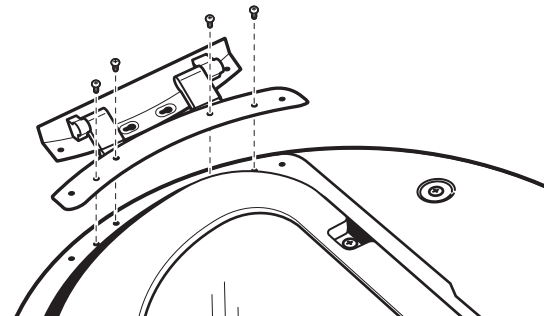


## Reverse Hinge

1. Use a small flat-blade screwdriver to remove 2 plug strips from the inner door. Slide the head of the screwdriver under the plugs, without scratching inner door surface, and lift up strip.



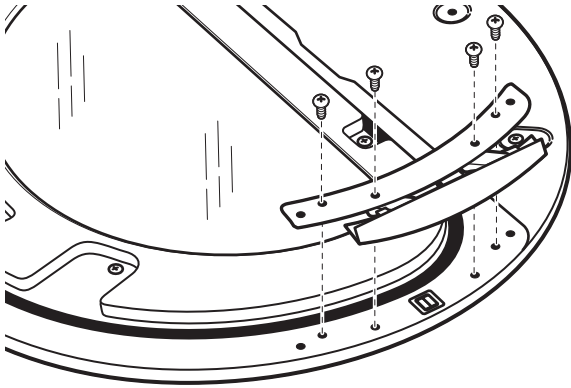
2. Remove the 4 screws that attach to inner door hinge.



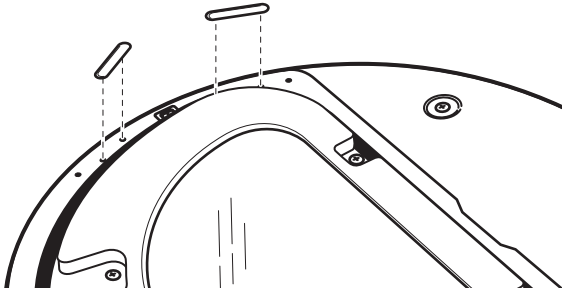


# REVERSING DRYER DOOR SWING (OPTIONAL)

3. Move hinge to other side. Reinstall 4 screws.



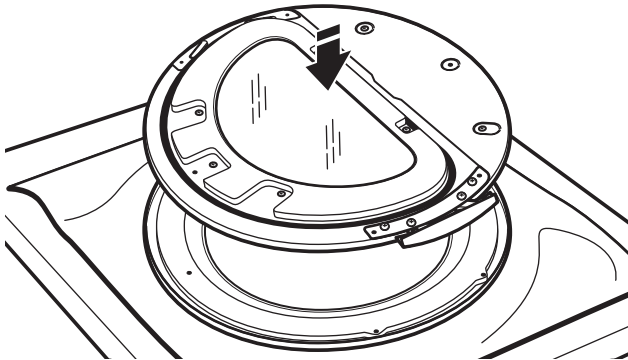
4. Reinstall plug strips on opposite side of the inner door.



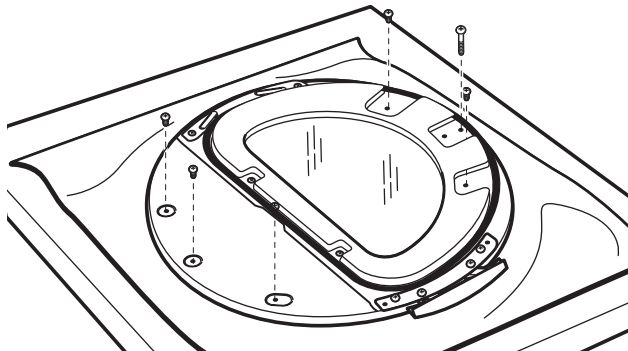
5. Check for fingerprints on the glass. Clean if necessary.

## Replace the Door Assembly

1. Place the inner door assembly inside the outer door assembly.

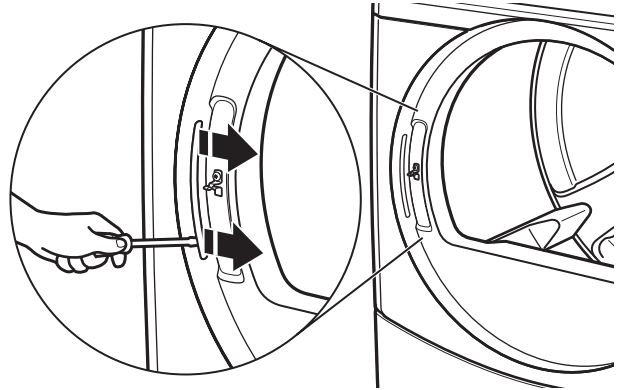


2. Reassemble the inner and outer door assemblies with the 6 screws.

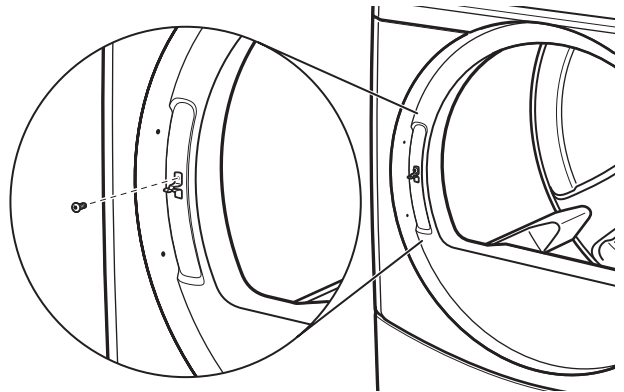


## Reverse the strike

1. Use a small flat-blade screwdriver to remove plug strip from the dryer door opening. Slide the head of the screwdriver under the plugs, without scratching dryer surface, and lift up strip.



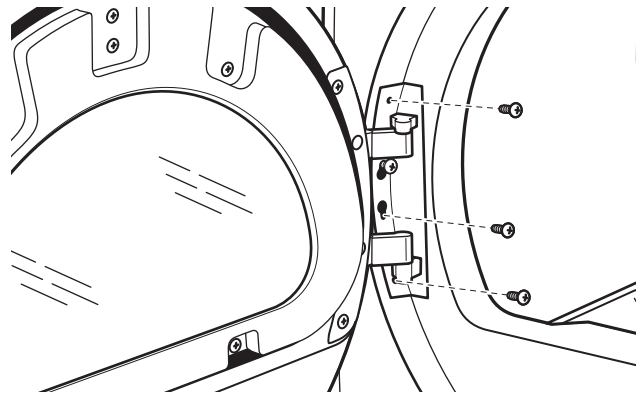
2. Remove the strike using a Phillips screwdriver.



3. Insert strike on the opposite side.

## Reinstall the door

1. Partially insert the third screw from the top; then slide the hinge onto this screw while hooking the hinge into the front panel hole. Reattach door to dryer front panel with the remaining three screws.



2. Check for fingerprints on the glass. Clean if necessary.  
3. Close door and check that it latches securely.

# MAINTENANCE INSTRUCTIONS

---

- Clean lint screen before and after each cycle.
- Removing accumulated lint:
  - From inside the dryer cabinet:  
Lint should be removed every 2 years or more often, depending on dryer usage. Cleaning should be done by a qualified person.
  - From the exhaust vent:  
Lint should be removed every 2 years, or more often, depending on dryer usage.
- Keep area around dryer clear and free from combustible materials, gasoline, and other flammable vapors and liquids.
- Keep dryer area clear and free from items that would obstruct the flow of combustion and ventilation air.

## **If dryer does not operate, check the following:**

- Electrical supply is connected.
- Circuit breaker is not tripped or house fuse is not blown.
- Door is closed. Listen closely to hear the door switch activate.
- Control is set up properly and display shows cycle time.
- Cycle selection button has been pushed firmly.
- For gas dryers, check that gas supply shut-off valves are set in open position.

# IF YOU NEED ASSISTANCE

---

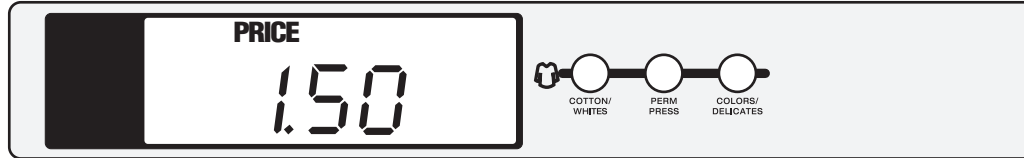
Contact your authorized Whirlpool Commercial Laundry® distributor. To locate your authorized Whirlpool Commercial Laundry® distributor, or for web inquiries, visit [www.WhirlpoolCommercialLaundry.com](http://www.WhirlpoolCommercialLaundry.com).

If you cannot locate your distributor, the Commercial Laundry Support Center will answer any questions about operating or maintaining your dryer not covered in the “Installation Instructions.”

Just dial **1-800-662-3587** — the call is toll free.

When you call, you will need the dryer model number and serial number. Both numbers can be found on the serial-rating plate located in the dryer door opening.

# ELECTRONIC CONTROL SETUP INSTRUCTIONS



**NOTE:** After the dryer has been installed and plugged in, the display will show "0 MINUTES." After the door has been opened and closed, the display will show the vend price.

## General User Information

### SCROLLING "OUT OF ORDER" MESSAGE, FOLLOWED BY A FAILURE OR DIAGNOSTIC CODE, SHOWING IN DISPLAY –

This condition indicates the dryer is inoperative.

**"0 MINUTES" SHOWING IN DISPLAY –** This indicates the dryer cannot be operated. Coins dropped or debit inputs during this condition will be stored in escrow but cannot be used until normal operation is restored by opening and closing the door. If a door switch has failed, causing "0 MINUTES" to remain in the display after the door is opened and closed, it must be replaced before normal operation can be restored.

**COLD START (Initial first use) –** Dryer is programmed at the factory as follows: \$1.50 dry price (30 minutes).  
9060 model only: \$0 dry price (30 minutes)

**WARM START (after power failure) –** A few seconds after power is restored, if a cycle was in progress at the time of the power failure, "RESELECT CYCLE" will flash in the display, indicating the need for a fabric setting button to be pressed to restart dryer.

**PRICING –** After the door is opened and then closed following the completion of a cycle, the display indicates the cycle price (unless set for free operation, where the display will flash "SELECT CYCLE"). As coins are dropped or debit inputs arrive, the display will change to lead the user through the initiation of a cycle.

### There are four (4) types of dryer pricing:

#### Fixed "Vend" Pricing

A dryer setup for "Fixed Cycle" operation can only accept additional time accumulated by increments equal to the length of a complete dry cycle. A maximum of 99 minutes may be purchased; no additional credit is given for coins dropped with 99 minutes in the display.

#### Accumulator Pricing

If option d is set to d. 00, and the 6 code is set to one coin 1, then accumulator pricing is in effect. Cycle time can be purchased one coin at a time up to the maximum time of 99 minutes.

### Fixed Cycle With Top Off Pricing (available for use with coin drops or card readers only)

A dryer set to offer "Top Off" capability will allow time to be added to an existing dry cycle in increments equal to the number of minutes of dry time per quarter (coin 1), up to 99 minutes, regardless of the cost required to start the dryer. No credit is given for coins or debit inputs entered when the control is displaying 99 minutes.

**FREE CYCLES –** This is established by setting the cycle price to zero. When this happens, "SELECT CYCLE" will appear rather than a cycle price. Any cycle started as a free cycle will automatically terminate when the door is opened.

**DEBIT CARD READY –** This dryer is debit card ready. It will accept a variety of debit card systems, but does NOT come with a debit card reader. Refer to the debit card reader manufacturer for proper dryer setup. When a Generation 2 card reader is installed, the dryer is placed in enhanced debit mode.

In Enhanced Debit Mode, the top off price can be set independently (see VALUE OF COIN 2), and the top off time is calculated according to the following equation:

$$\frac{\text{top off price}}{\text{full cycle price}} = \frac{\text{top off time}}{\text{full cycle length}}$$

In models converted to a Generation 1 debit card system, debit pulses represent the equivalent of one coin (coin 1).

**NOTE:** Enhanced debit mode cannot be deselected.

## Control Set-up Procedures

**IMPORTANT:** Read all instructions before operating.

The fabric setting buttons along with the digital display are used to set up the dryer controls.

The display can contain 4 numbers and/or letters and a decimal point. These are used to indicate the set-up codes and related code values available for use in programming the dryer.

# ELECTRONIC CONTROL SETUP INSTRUCTIONS

## How to Use the Buttons to Program the Controls

1. The COTTON/WHITES button is used to adjust the values associated with set-up codes. Pressing the button will change the value by increments. Rapid adjustment is possible by holding down the button.
2. The PERM PRESS button will advance through the set-up codes. Pressing this button will advance to the next available set-up code. Holding down the button will automatically advance through the set-up codes at a rate faster than 1 per second.
3. The COLORS/DELICATES button is used to select or deselect options.

## Start Operating Set-up

Insert service access door key, turn, and lift to remove service access door.

### Dryers with Card Reader Installed:

Once the debit card reader is installed (according to the reader manufacturer's instructions), the set-up mode can be entered by inserting a manual set-up card (supplied by the reader manufacturer) into the card slot. If manual set-up card is not available, only the diagnostic mode can be entered by removing the service access door.

**IMPORTANT:** To access set-up mode or diagnostic mode, use a service key (9050 models) to open the service access door. If a card reader is installed, a service card is available for accessing diagnostics. If a service key is not available (9060 models), the AA1 connector must be removed for access. The console must not be opened unless power is first disconnected from the dryer. To access connector AA1:

1. Unplug dryer or disconnect power.
2. Open console, remove plug on AA1, close console.
3. Plug in dryer or reconnect power.

The dryer is now in the set-up mode.

**NOTE:** It is not necessary to set up the dryer with the following codes; the dryer is pre-set at the factory. These codes can be used to change settings, if desired.

## Set-Up Codes

- The PERM PRESS button will advance from code to code.
- The COTTON/WHITES button will change the code value.
- The COLORS/DELICATES button will select or deselect options.

The set-up code is indicated by the one or two left-hand characters. The set-up code value is indicated by the two or three right-hand characters.

**NOTE:** The first line of each code indicates the factory default.

Code	Explanation
6 01	<b>REGULAR CYCLE PRICE</b>
6 01	When the d.xx is set to d.CS, this 6 xx value represents the number of push-in actuations of the coin slide to start the dryer. 6 01 would equal one coin slide activation.
6 00	When the d.xx is set to d.00, this 6 xx value represents the number of coins (coin 1) needed to start the dryer; may adjust from 0–39. Change this value by pressing the COTTON/WHITES button. 6 06 = 6 coins = \$1.50. (9060 models default to 6 00.) <ul style="list-style-type: none"><li>• Press the PERM PRESS button once to advance to next code.</li></ul>
7 05	<b>REGULAR DRY TIME</b>
7 05	When set to Coin Drop or Card Reader operation, the dry time equals the Regular Dry Time value multiplied by the Regular Cycle Price value. Example: 6 06 and 7 05 = (06 x 05 = 30 minutes).
7 30	For coinslide or OPL operation, the value is the amount of minutes of dry time. Factory default of 30 minutes. Pressing COTTON/WHITES adjusts the value from 1–99 minutes. <ul style="list-style-type: none"><li>• Press the PERM PRESS button once to advance to next code.</li></ul>
8 00	<b>TYPE OF DRYER PRICING</b>
8 00	Fixed Cycle with Top Off. Only available for use with coin drops or card readers. For detailed description, see General User Information.
8 FC	Fixed Cycle. For detailed description, see General User Information. Use COLORS/DELICATES button to make this selection. <ul style="list-style-type: none"><li>• Press the PERM PRESS button once to advance to next code.</li></ul>
9 00	<b>CYCLE COUNTER OPTION</b> This option is either NOT SELECTED "OFF" or SELECTED "ON."
9 00	Not Selected "OFF."
9 0C	Selected "ON" and not able to be deselected. <ul style="list-style-type: none"><li>• Press the COLORS/DELICATES button 3 consecutive times to select "ON." Once selected "ON" it cannot be deselected.</li><li>• Press the PERM PRESS button once to advance to next code.</li></ul>

# ELECTRONIC CONTROL SETUP INSTRUCTIONS

Code	Explanation
1. 00	<b>MONEY COUNTER OPTION</b> This option is either NOT SELECTED "OFF" or SELECTED "ON."
1. 00	Not Selected "OFF."
1. 0C	Selected "ON." <ul style="list-style-type: none"> <li>Press the COLORS/DELICATES button 3 consecutive times to select "ON" and 3 consecutive times to deselect (Not Selected "OFF"). Counter resets by going from "OFF" to "ON."</li> </ul>
1. C0	Selected "ON" and not able to be deselected. <ul style="list-style-type: none"> <li>To select "ON" and not able to be deselected, first select "ON," then within 2 seconds, press the COLORS/DELICATES button twice, the COTTON/WHITES button once, and exit set-up mode.</li> <li>Press the PERM PRESS button once to advance to next code.</li> </ul>
2. 00	This option is not available.
b. 30	<b>VALUE OF COIN 1</b>
b. 30	With coin slide activation, this represents the total vend price in nickels. Example: b. 30 is equal to \$1.50.
b. 05	This represents the value of coin 1 in number of nickels: 05 = \$0.25 (default for 9060 models). <ul style="list-style-type: none"> <li>By pressing the COTTON/WHITES button, there is an option of 1–199 nickels.</li> <li>Press the PERM PRESS button once to advance to next code.</li> </ul>
C. 20	<b>VALUE OF COIN 2</b>
C. 20	This represents the value of coin 2 in number of nickels: 20 = \$1.00. <ul style="list-style-type: none"> <li>By pressing the COTTON/WHITES button, there is an option of 1–199 nickels.</li> </ul>
C. 05	When a Gen 2 card reader is used, this code represents the value of top off in nickels. C. 05 = \$0.25. <ul style="list-style-type: none"> <li>Press the PERM PRESS button once to advance to next code.</li> </ul>
d. CS	<b>COIN SLIDE OPTION</b> This option is either Selected "ON" or Not Selected "OFF." Press the COLORS/DELICATES button 3 consecutive times to select/deselect this option.
d. CS	Selected "ON." (default for 9050 models) When coin slide mode is selected, set "b." equal to value of vend price in nickels. Set set-up code 6 xx (regular cycle price) to number of slide operations. If the installer sets up "CS" on a coin drop operated model, it will not register coins.
d. 00	Not Selected "OFF." (default for 9060 models) <ul style="list-style-type: none"> <li>Press the PERM PRESS button once to advance to next code.</li> </ul>

Code	Explanation
J. Cd	<b>PAYMENT MODE (COIN/DEBIT OPTION)</b>
J. Cd	Both coin and debit selected. Press the COLORS/DELICATES button 3 consecutive times to change this selection.
J. C_	Coins selected, debit disabled. Press the COLORS/DELICATES button 3 consecutive times to change this selection.
J. _d	Debit Card selected, coin disabled (default for 9060 models). This selection must be used for free vend. Press the COLORS/DELICATES button 3 consecutive times to change this selection.
J. Ed	Enhanced Debit is self-selected when a Generation 2 card reader is installed in the dryer. The "Ed" option cannot be manually selected or deselected. <ul style="list-style-type: none"> <li>Press the PERM PRESS button once to advance to next code.</li> </ul>
n. CE	<b>CLEAR ESCROW OPTION</b> This option is either Selected "ON" or Not Selected "OFF." When selected, money held in escrow for 30 minutes without further escrow or cycle activity will be cleared.
n. 00	Not Selected "OFF."
n. CE	Selected "ON." <ul style="list-style-type: none"> <li>Press the COLORS/DELICATES button once to change this selection.</li> <li>Press the PERM PRESS button once to advance to next code.</li> </ul>

**If cycle counter (9 0C) is selected, the following is true:**

1 00	Cycles in HUNDREDS	1 <u>02</u> = 200
2 00	Cycles in ONES	2 <u>25</u> = 25
		TOTAL CYCLES = 225

This is "VIEW ONLY" and cannot be cleared.

- Press the PERM PRESS button once to advance to next code.

**If money counter (1.0C or 1.C0) is selected, the following is true:**

3 00	Dollars in HUNDREDS	3 <u>01</u> = \$100.00
4 00	Dollars in ONES	4 <u>68</u> = \$ 68.00
5 00	Number of CENTS	5 <u>75</u> = \$ 00.75
		TOTAL = \$168.75

END of SET-UP PROCEDURES

**TO EXIT FROM SET-UP MODE**

- Close the service access door.
- Disconnect dryer from power before reinstalling the AA1 connector, if it was removed.
- Remove the manual set-up card.

# ELECTRONIC CONTROL SETUP INSTRUCTIONS

## Diagnostic Codes

If the set-up mode is entered and one of the following has previously occurred, the appropriate diagnostic code will be in the display.

Dryer Display	Explanation
d 5	Blocked coin 1 or coin drop UI control circuit failure (coin recognition and customer display disabled while blockage persists).
d 9	Voltage detected below 90 VAC for 8 seconds.
d 13	Blocked coin 2 or coin drop UI control circuit failure (coin recognition and customer display disabled while blockage persists).
d 16	Not receiving communications from installed debit card reader in Enhanced (Generation 2) Debit mode.
F 01	Dryer motor control circuit error (cycles and price display disabled until diagnostic code is manually cleared). The control doesn't know if the motor relay is bad (stuck on), the motor relay drive circuit is bad (shorted), causing the motor relay to stay on, or the motor relay feedback circuit is bad.
F 22	Exhaust thermistor open, temperature drops below 18°F (>50 kΩ) for 1 minute in Run mode, or immediately in Factory Diagnostic Mode.
F 23	Exhaust thermistor shorted, temperature above 250°F (<500Ω) for 1 minute in Run mode, or immediately in Factory Diagnostic Mode.
F 70	UI is not receiving communications from CCU (cycles and price display disabled while error persists or is manually cleared).
F 71	CCU is not receiving communications from UI (cycles and price display disabled while error persists or is manually cleared).
F 73	UI Microprocessor is not able to read or verify EEPROM (cycles and price display disabled until diagnostic code is manually cleared).
F 74	UI EEPROM memory is a CRC failure (cycles and price display disabled until diagnostic code is manually cleared).

## Dryer Diagnostic Mode

This mode is entered by depressing COLORS/DELICATES for one second while in either of the set-up codes 6 xx or 7 xx or with a diagnostic code present. Diagnostic codes are cleared on entry and all display segments should flash. If a diagnostic code persists, it must be corrected before the diagnostic cycle can be entered.

### All Models:

With all segments flashing, the diagnostic cycle is started by depressing the PERM PRESS button. The cycle consists of 7 minutes of heat and 1 minute of cooldown.

The COTTON/WHITES button will increment the diagnostic cycle minutes up to 99, then roll over to 2 minutes. The COLORS/DELICATES button will cancel this cycle and exit the diagnostic mode.

### Dryer Help Mode

Dryer help mode is entered by pressing the COTTON/WHITES button while in special pricing option 2.XX. In help mode, the software revision is displayed. The help mode is advanced by pressing the PERM PRESS button. See Help Mode Submenu below for the order in which items are displayed. Press the COTTON/WHITES button at any time to exit help mode.

### Help Codes

Help Code	Description
71	Generation 2 debit card cycle polling message out of sequence.
74	Generation 2 debit card remaining balance message out of sequence.
75	Generation 2 debit card new card balance message out of sequence.
88	Invalid messaging state found in data acquisition communications comm_suprv ( ) routine.

# ELECTRONIC CONTROL SETUP INSTRUCTIONS

## Help Mode Submenu

Step	Display Indication	Explanation
1	1h.XX	Help Code 1, where XX is the help code number. *
2	2h.XX	Help Code 2, where XX is the help code number. *
3	3h.XX	Help Code 3, where XX is the help code number. *
4	1.X##	Error history code 1, where X is the F or d code, and ## is the code number. **
5	2.X##	Error history code 2, where X is the F or d code, and ## is the code number. **
6	3.X##	Error history code 3, where X is the F or d code, and ## is the code number. **
7	4.X##	Error history code 4, where X is the F or d code, and ## is the code number. **
8	SC.XX	CCU software revision, where XX is the software revision number.
9	SU.XX	UI software revision, where XX is the software number.
10	EU.XX	UI EEPROM revision, where XX is the EEPROM number.

\* To erase the 3 help codes, press COLORS/DELICATES button.

\*\* The Errors displayed in this section are the history errors that have occurred in the dryer (not necessarily an error that is in progress). The current error is displayed in the MANUAL KEY FUNCTION IN DIAGNOSTIC SUB-MODE.

In help mode, other display symbols and elements are mapped to reflect the state of various inputs and outputs as follows:

### All Dryers

\*.....low voltage present (below about 90 VAC)  
 °(circle above digit) ..... door closed  
 OR..... motor sensed running  
 AIR.....heater/gas valve relay on  
 FLUFF.....motor relay on

---

# WHIRLPOOL® COMMERCIAL LAUNDRY WARRANTY:

CHW9050, CHW9060, CED9050, CED9060, CGD9050, CGD9060

---

## 90 DAY LIMITED WARRANTY (PARTS AND LABOR)

For 90 days from the original date of purchase, when this commercial appliance is installed, maintained, and operated according to instructions attached to or furnished with the product, Whirlpool Corporation (hereafter "Whirlpool") will pay for factory specified replacement parts and repair labor to correct defects in materials or workmanship that existed when this commercial appliance was purchased.

## TWO YEAR LIMITED WARRANTY (PARTS ONLY)

For the first two years from the date of purchase, when this commercial appliance is installed, maintained, and operated according to the instructions attached to or furnished with the product, Whirlpool will pay for factory specified replacement parts to correct defects in materials or workmanship that existed when this commercial appliance was purchased.

YOUR SOLE AND EXCLUSIVE REMEDY UNDER THE LIMITED WARRANTY SHALL BE PRODUCT REPAIR AS PROVIDED HEREIN. Whirlpool recommends that you use an "in network" service provider to diagnose and repair your Commercial Laundry product. Whirlpool will not be responsible under this warranty to provide additional replacement parts as a result of incorrect diagnosis or repair by "out of network" service company. This limited warranty is valid in the United States or Canada and applies only when the commercial appliance is used in the country in which it was purchased. This limited warranty is effective from the date of the original consumer purchase. Proof of original purchase date is required to obtain service under this limited warranty.

---

## ITEMS EXCLUDED FROM WARRANTY

This limited warranty does not cover:

1. All other costs including labor, transportation, shipping, or custom duties for covered parts.
2. Factory specified replacement parts if this commercial appliance is used for other than normal, commercial use or when it is used in a manner that is inconsistent to published user or operator instructions and/or installation instructions.
3. Service calls to correct the installation of your commercial appliance, to instruct you how to use your commercial appliance, to replace or repair fuses, or to correct external wiring or plumbing.
4. Damage resulting from improper handling of product during delivery, theft, accident, alteration, misuse, abuse, fire, flood, acts of God, improper installation, installation not in accordance with local electrical or plumbing codes, or use of products not approved by Whirlpool.
5. Pickup and Delivery. This commercial appliance is designed to be repaired on location.
6. Repairs to parts or systems resulting from unauthorized modifications made to the commercial appliance.
7. The removal and reinstallation of your commercial appliance if it is installed in an inaccessible location or is not installed in accordance with published installation instructions.
8. Damage resulting from exposure to chemicals.
9. Changes to the building, room, or location needed in order to make the commercial appliance operate correctly.
10. Factory specified replacement parts on commercial appliances with original model/serial numbers that have been removed, altered, or cannot be easily determined.
11. Discoloration, rust, or oxidation of stainless steel surfaces.
12. Factory specified replacement parts as a result of incorrect diagnosis or repair by an "out of network" service company.

**The cost of repair or replacement under these excluded circumstances shall be borne by the customer.**

---

## DISCLAIMER OF IMPLIED WARRANTIES

IMPLIED WARRANTIES, INCLUDING ANY IMPLIED WARRANTY OF MERCHANTABILITY OR IMPLIED WARRANTY OF FITNESS FOR A PARTICULAR PURPOSE, ARE LIMITED TO THREE YEARS OR THE SHORTEST PERIOD ALLOWED BY LAW. Some states and provinces do not allow limitations on the duration of implied warranties of merchantability or fitness, so this limitation may not apply to you. This warranty gives you specific legal rights, and you also may have other rights that vary from state to state or province to province.

---

## DISCLAIMER OF REPRESENTATIONS OUTSIDE OF WARRANTY

Whirlpool makes no representations about the quality, durability, or need for service or repair of this commercial appliance other than the representations contained in this Warranty. If you want a longer or more comprehensive warranty than the limited warranty that comes with this commercial appliance, you should ask Whirlpool or your retailer about buying an extended warranty.

---

## LIMITATION OF REMEDIES; EXCLUSION OF INCIDENTAL AND CONSEQUENTIAL DAMAGES

YOUR SOLE AND EXCLUSIVE REMEDY UNDER THIS LIMITED WARRANTY SHALL BE PRODUCT REPAIR AS PROVIDED HEREIN. WHIRLPOOL SHALL NOT BE LIABLE FOR INCIDENTAL OR CONSEQUENTIAL DAMAGES. Some states and provinces do not allow the exclusion or limitation of incidental or consequential damages, so these limitations and exclusions may not apply to you. This warranty gives you specific legal rights, and you also may have other rights that vary from state to state or province to province.

---

If you need service, please contact your authorized Whirlpool® Commercial Laundry distributor. To locate your authorized Whirlpool® Commercial Laundry distributor, call 1-800-662-3587, or for web inquiries, visit [www.WhirlpoolCommercialLaundry.com](http://www.WhirlpoolCommercialLaundry.com).

For written correspondence:  
Whirlpool® Commercial Laundry Service Department  
2000 N M 63  
Benton Harbor, MI 49022-2632 USA

07/14



## Votre sécurité et celle des autres est très importante.

Nous donnons de nombreux messages de sécurité importants dans ce manuel et sur votre appareil ménager. Assurez-vous de toujours lire tous les messages de sécurité et de vous y conformer.



Voici le symbole d'alerte de sécurité.

Ce symbole d'alerte de sécurité vous signale les dangers potentiels de décès et de blessures graves à vous et à d'autres.

Tous les messages de sécurité suivront le symbole d'alerte de sécurité et le mot "DANGER" ou "AVERTISSEMENT". Ces mots signifient :

 **DANGER**

Risque possible de décès ou de blessure grave si vous ne suivez pas immédiatement les instructions.

 **AVERTISSEMENT**

Risque possible de décès ou de blessure grave si vous ne suivez pas les instructions.

Tous les messages de sécurité vous diront quel est le danger potentiel et vous disent comment réduire le risque de blessure et ce qui peut se produire en cas de non-respect des instructions.



## **AVERTISSEMENT - "Risque d'incendie"**

- L'installation de la sècheuse à linge doit être effectuée par un installateur qualifié.
- Installer la sècheuse conformément aux instructions du fabricant et aux codes locaux.
- Ne pas installer de sècheuse à linge avec des matériaux d'évacuation en plastique souple ou un conduit métallique souple (de type papier d'aluminium). Si un conduit métallique souple est installé, celui-ci doit être d'un type spécifique identifié par le fabricant de l'appareil et convenir à une utilisation avec les sècheuses à linge. Les matériaux d'évacuation souples sont connus pour s'affaisser, être facilement écrasés et bloquer la charpie. Ces situations obstrueront le débit d'air de la sècheuse à linge et augmenteront le risque d'incendie.
- Pour réduire le risque de blessure grave ou de décès, suivre toutes les instructions d'installation.
- Conserver ces instructions.

- On recommande que le propriétaire place les instructions à l'usage du client en un lieu bien visible, au cas où le client percevrait une odeur de gaz. Ces renseignements doivent être obtenus auprès de votre fournisseur en gaz.
- Placer l'avertissement qui suit à un endroit bien visible.

### POUR VOTRE SÉCURITÉ

Ne pas remiser ou utiliser de l'essence ou tout autre liquide ou vapeur inflammable à proximité de cet appareil ou de tout autre appareil.

# SÉCURITÉ DE LA SÈCHEUSE

**AVERTISSEMENT** : Pour votre sécurité, les renseignements dans ce manuel doivent être observés pour réduire au minimum les risques d'incendie ou d'explosion ou pour éviter des dommages au produit, des blessures ou un décès.

- Ne pas entreposer ou utiliser de l'essence ou d'autres vapeurs ou liquides inflammables à proximité de cet appareil ou de tout autre appareil électroménager.
- **QUE FAIRE DANS LE CAS D'UNE ODEUR DE GAZ :**
  - Ne pas tenter d'allumer un appareil.
  - Ne pas toucher à un commutateur électrique; ne pas utiliser le téléphone se trouvant sur les lieux.
  - Évacuer tous les gens de la pièce, de l'édifice ou du quartier.
  - Appeler immédiatement le fournisseur de gaz d'un téléphone voisin. Suivre ses instructions.
  - À défaut de joindre votre fournisseur de gaz, appeler les pompiers.
- L'installation et l'entretien doivent être effectués par un installateur qualifié, une agence de service ou le fournisseur de gaz.

**AVERTISSEMENT** : L'odorat ne permet pas toujours la détection d'une fuite de gaz.

Les distributeurs de gaz recommandent l'emploi d'un détecteur de gaz (homologation UL ou CSA).

Pour d'autre information, contacter le fournisseur de gaz local.

En cas de détection d'une fuite de gaz, exécuter les instructions "Que faire dans le cas d'une odeur de gaz".

Dans l'État du Massachusetts, les instructions d'installation suivantes sont applicables :

- Les travaux d'installation et réparation doivent être exécutés par un plombier ou tuyauteur qualifié ou licencié, ou par le personnel qualifié d'une entreprise licenciée par l'État du Massachusetts.
- Si une vanne à boisseau sphérique est utilisée, elle doit comporter une manette "T".
- Si un conduit de raccordement flexible est utilisé, sa longueur ne doit pas dépasser 3 pi.

**IMPORTANT** : L'installation du gaz doit se conformer aux codes locaux, ou en l'absence de codes locaux, au code canadien d'installation B149.1 du gaz naturel ou du propane.

La sècheuse doit être électriquement reliée à la terre conformément aux codes locaux, ou en l'absence de codes locaux, au Code canadien de l'électricité, CSA C22.1.

**IMPORTANT** : Pour mettre l'ancienne sècheuse au rebut ou pour la remiser, enlever la porte.

## IMPORTANTES INSTRUCTIONS DE SÉCURITÉ

**AVERTISSEMENT :** Pour réduire les risques d'incendie, de choc électrique ou de blessures lors de l'utilisation de la sècheuse, suivre les précautions fondamentales dont les suivantes :

- Lire toutes les instructions avant d'utiliser la sècheuse.
- Cette sècheuse est conçue uniquement pour le séchage de vêtements et de textiles ayant été nettoyés à l'eau. Ne pas l'utiliser à toute autre fin.
- **AVERTISSEMENT:** Si l'on détecte une odeur de gaz, ne pas utiliser le sèche-linge ou tout autre équipement électrique situé à proximité. Avertir les autres personnes qu'elles doivent évacuer cette zone. Contacter le propriétaire de la sècheuse immédiatement.
- Ne pas placer des articles exposés aux huiles de cuisson dans votre sècheuse. Les articles contaminés par des huiles de cuisson peuvent contribuer à une réaction chimique qui pourrait causer à la charge de s'enflammer.
- Ne pas faire sécher des articles qui ont été nettoyés ou lavés avec de l'essence ou imbibés d'essence, solvants de nettoyage à sec, ou autres substances inflammables ou explosives; ces substances peuvent émettre des vapeurs susceptibles de s'enflammer ou d'exploser.
- Ne pas faire sécher dans la sècheuse des articles nonlavés.
- Ne pas laisser des enfants jouer sur ou à l'intérieur de la sècheuse. Bien surveiller les enfants lorsque la sècheuse est utilisée à proximité d'enfants.
- Avant de retirer la sècheuse pour un dépannage ou pour le jeter, ôter les portes des compartiments de la sècheuse
- Ne pas tenter d'atteindre un article à l'intérieur de la cuve de la sècheuse lorsque le tambour est en mouvement.
- Ne pas ouvrir le couvercle lorsque la sècheuse est en marche. Il s'arrêtera.
- Ne pas installer ou remiser cette sècheuse à un endroit où il serait exposée à l'eau et/ou aux intempéries.
- Ne pas modifier les organes de commande.
- Nettoyer le filtre à charpie avant et après chaque charge.
- Ne pas utiliser cette sècheuse si le filtre à peluches n'est pas installé.
- Ne pas réparer ou remplacer un composant quelconque de la sècheuse, ni entreprendre une opération de service, si ce n'est spécifiquement recommandé dans ce manuel ou dans un manuel d'instructions de réparations destiné à l'utilisateur; il est alors essentiel que la personne concernée comprenne ces instructions et soit compétente pour les exécuter.
- Ne pas utiliser un produit assouplissant de tissu ou des produits pour éliminer la statique à moins qu'ils ne soient recommandés par le fabricant du produit assouplissant de tissu ou du produit.
- Ne pas utiliser la chaleur pour faire sécher des articles fabriqués avec du caoutchouc mousse ou de matériaux semblables.
- La dernière partie d'un programme de séchage par culbutage a lieu sans chaleur (programme de refroidissement) pour faire en sorte que les articles soient laissés à une température qui garantit que les articles ne seront pas endommagés.
- **AVERTISSEMENT:** Ne jamais arrêter le séchage par culbutage avant la fin du programme de séchage sauf si tous les articles sont retirés rapidement et répartis pour une dissipation de la chaleur (permet d'éviter le risque de combustion spontanée).
- Ne pas laisser la charpie, la poussière, ou la saleté s'accumuler autour du système d'évacuation ou autour de l'appareil.
- Un nettoyage périodique de l'intérieur de la sècheuse et du conduit d'évacuation doit être effectué par une personne qualifiée.
- Voir la section "Spécifications électriques" pour les instructions de mise à la terre.

## CONSERVEZ CES INSTRUCTIONS

Avertissements de la proposition 65 de l'État de Californie :

**AVERTISSEMENT :** Ce produit contient au moins un produit chimique connu par l'État de Californie pour être à l'origine de cancers.

**AVERTISSEMENT :** Ce produit contient au moins un produit chimique connu par l'État de Californie pour être à l'origine de malformations et autres déficiences de naissance.

# OUTILS ET PIÈCES

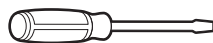
## Outillage nécessaire :



Clé à tuyau  
de 8" (200 mm)  
ou 10" (250 mm)



Clé à molette de 8" (200 mm)  
ou 10" (250 mm) (ouverture  
jusqu'à 1" [25 mm])



Tournevis à lame plate



Tournevis Phillips



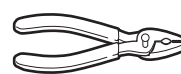
Tournevis isolé ou foret  
Torx T-20®



Clé à douille hexagonale  
de 1" (25 mm)



Clé à douille de 1/4" (6 mm)



Pince (ouverture  
jusqu'à 1<sup>9</sup>/<sub>16</sub>" [39 mm])



Niveau



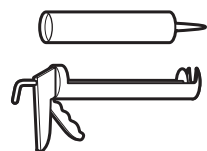
Couteau utilitaire



Tourne-écrou de 1/4" (6 mm)



Cale de bois  
de 27" (686 mm)



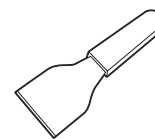
Pistolet à calfeutrage et  
composé de calfeutrage  
(pour l'installation d'un nouveau  
conduit d'évacuation)



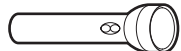
Brides de conduit



Composé d'étanchéité  
des tuyauteries résistant au type  
de gaz utilisé



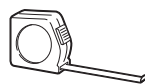
Couteau à mastic



Lampe de poche  
(facultative)



Clés plates de 1" (25 mm)

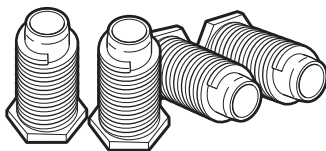


Règle ou mètre ruban

## Pièces fournies :



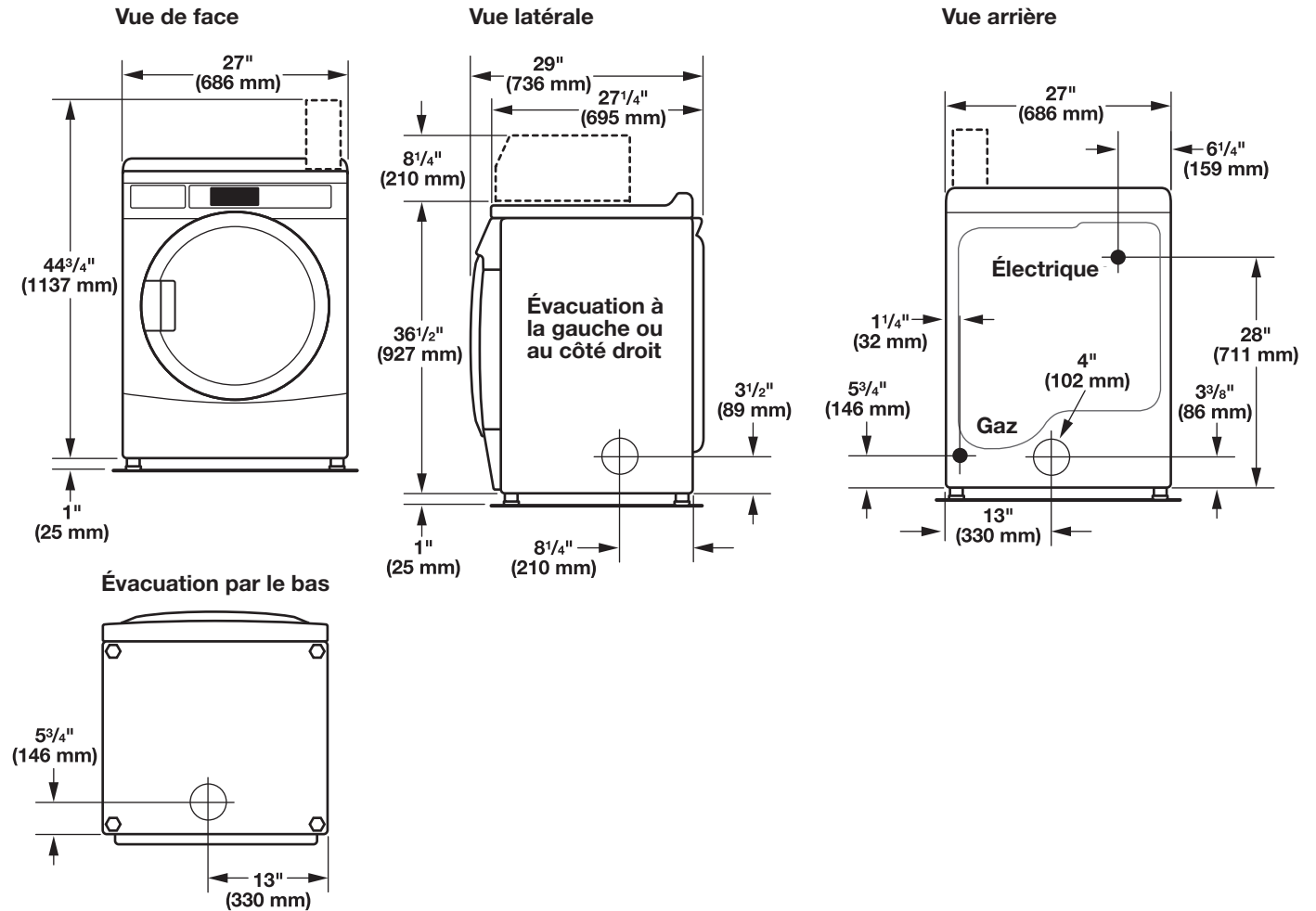
Patins (4)



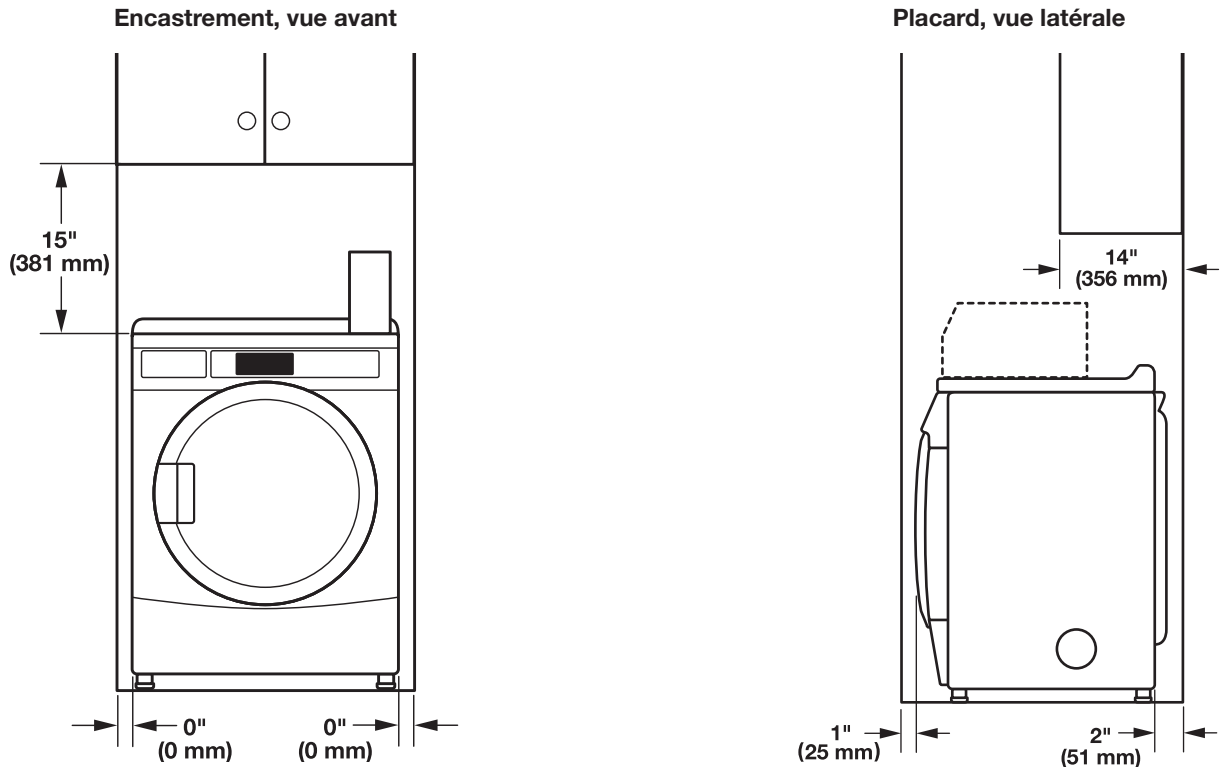
Pieds de la sècheuses (4)

# DIMENSIONS/DISTANCES DE DÉGAGEMENT

## Dimensions



## Distances de dégagement



# EXIGENCES D'INSTALLATION POUR LA SÈCHEUSE À GAZ

## Exigences de l'emplacement

### **⚠ AVERTISSEMENT**



#### Risque d'explosion

**Garder les matières et les vapeurs inflammables, telle que l'essence, loin de la sècheuse.**

**Ne pas installer dans un garage.**

**Le non-respect de ces instructions peut causer un décès, une explosion ou un incendie.**

La sècheuse peut être installée dans un sous-sol, une salle de buanderie ou un encastrement.

Cette sècheuse ne peut pas être installée dans une résidence mobile.

Il faut aussi prendre en compte les exigences d'emplacement des appareils voisins.

**IMPORTANT :** Ne pas installer ou remiser la sècheuse dans un endroit où elle sera exposée à l'eau et/ou aux intempéries. C'est à l'utilisateur qu'incombe la responsabilité de réaliser une installation correcte.

#### Il vous faudra :

- Une prise électrique reliée à la terre située à moins de 6 pi (1,8 m) de la prise du cordon électrique se trouvant à l'arrière de la sècheuse. Voir "Spécifications électriques".
- Un plancher de niveau ayant une pente maximale de 1" (25 mm) sous l'ensemble de la sècheuse. L'installation de la sècheuse sur des surfaces de sol molles, telles que tapis ou surfaces avec sous-couche en mousse n'est pas recommandée.

#### Distances de dégagement pour l'installation pour la sècheuse à gaz

- L'emplacement doit être assez grand pour permettre d'ouvrir complètement la porte de la sècheuse.
- Prévoir davantage d'espace pour faciliter l'installation et l'entretien. La porte s'ouvre à plus de 180°.
- Un espace supplémentaire peut être requis pour les moulures de porte et de plancher et pour les plinthes.
- Un espace supplémentaire de 1" (25 mm) de tous les côtés de la sècheuse est recommandé pour réduire le transfert du bruit.

#### Lors de l'installation d'une sècheuse à gaz :

**IMPORTANT :** Observer les dispositions de tous les codes et règlements en vigueur.

- Vérifier les exigences des codes : Certains codes limitent ou n'autorisent pas l'installation d'une sècheuse dans un garage, un placard ou une chambre à coucher. Communiquer avec l'inspecteur en bâtiments local.
- S'assurer que les rebords inférieurs de la caisse ainsi que les côtés arrière et inférieurs de la sècheuse, sont bien dégagés pour permettre une évacuation adéquate de l'air de combustion. Voir la section "Instructions d'installation dans un encastrement ou un placard" ci-dessous pour connaître les distances de dégagement minimales.

#### Instructions d'installation dans un encastrement ou un placard

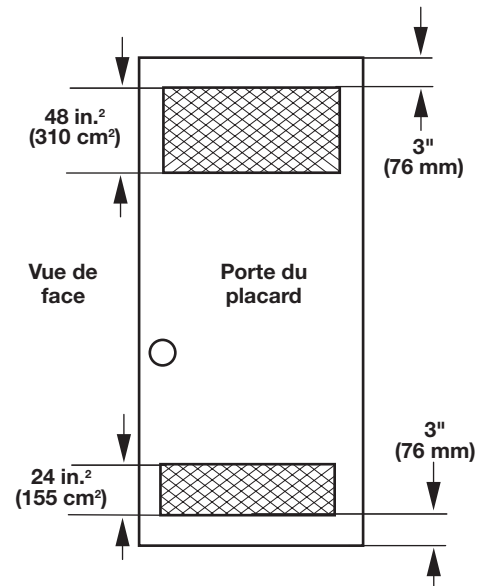
Cette sècheuse peut être installée dans un encastrement ou un placard. Pour les installations dans un encastrement ou un placard, les distances de dégagement minimales sont indiquées sur l'étiquette d'avertissement à l'arrière de la sècheuse ou à la section "Dimensions/Distances de dégagement".

Les dimensions d'installation sont en pouces et constituent le minimum applicable. Un espace supplémentaire peut être nécessaire pour faciliter l'installation, l'entretien et pour observer les codes et règlements locaux.

Si une porte de placard est installée, une ouverture d'évacuation de l'air minimale est nécessaire dans les parties supérieure et inférieure. Les portes à claire-voie offrant des ouvertures équivalentes sont acceptables.

La sècheuse doit être évacuée à l'extérieur.

Aucun autre appareil utilisant un combustible ne doit être installé dans le même placard.



# EXIGENCES D'INSTALLATION POUR LA SÈCHEUSE À GAZ

## Spécifications électriques

### **AVERTISSEMENT**



#### Risque de choc électrique

**Brancher sur une prise à 3 alvéoles reliée à la terre.**

**Ne pas enlever la broche de liaison à la terre.**

**Ne pas utiliser un adaptateur.**

**Ne pas utiliser un câble de rallonge.**

**Le non-respect de ces instructions peut causer un décès, un incendie ou un choc électrique.**

**IMPORTANT :** La sècheuse doit être reliée à la terre conformément aux codes et règlements locaux en vigueur, ou en l'absence de tels codes, avec la dernière édition du National Electrical Code, ANSI/NFPA 70, ou du Canadian Electrical Code, CSA C22.1. Si les codes le permettent et si on utilise un conducteur distinct de liaison à la terre, il est recommandé qu'un électricien qualifié vérifie la qualité de la liaison à la terre. Pour obtenir un exemplaire des normes des codes ci-dessus, contacter :

National Fire Protection Association  
One Batterymarch Park, Quincy, MA 02269  
CSA International  
8501 East Pleasant Valley Road  
Cleveland, Ohio 44131-5575

- Ne pas utiliser une tuyauterie de gaz pour le raccordement à la terre.
- Ne pas installer un fusible dans le conducteur neutre ou le circuit de liaison à la terre.
- Une alimentation de 120 volts, 60 Hz, CA seulement, de 15 ou 20 ampères, protégée par un fusible est requise. On recommande également d'utiliser un fusible ou un disjoncteur temporisé. Il est recommandé de raccorder la sècheuse sur un circuit distinct exclusif à cet appareil.
- Cette sècheuse comporte un cordon d'alimentation électrique à trois broches pour liaison à la terre.
- Pour minimiser le risque de choc électrique, on doit brancher le cordon sur une prise de courant de configuration correspondante, à 3 alvéoles, reliée à la terre et installée conformément aux codes et règlements locaux. Si une prise de courant de configuration correspondante n'est pas disponible, le client a la responsabilité et l'obligation de faire installer par un électricien qualifié une prise de courant correctement reliée à la terre.
- Si les codes le permettent et si l'on utilise un conducteur distinct de liaison à la terre, il est recommandé qu'un électricien qualifié vérifie la qualité de la liaison à la terre.
- En cas de doute quant à la qualité de la liaison à la terre de la sècheuse, consulter un électricien qualifié.

## Mise à la terre de la sècheuse à gaz

### INSTRUCTIONS DE LIAISON À LA TERRE

- Pour une sècheuse reliée à la terre et connectée par un cordon :

Cette sècheuse doit être reliée à la terre. En cas de mauvais fonctionnement ou de panne, la liaison à la terre réduira le risque de choc électrique en offrant au courant électrique un acheminement d'évacuation de moindre résistance. Cette sècheuse est alimentée par un cordon électrique comportant un conducteur relié à la terre et une fiche de branchement munie d'une broche de liaison à la terre. La fiche doit être branchée sur une prise appropriée qui est bien installée et reliée à la terre conformément à tous les codes et règlements locaux.

**AVERTISSEMENT :** Le raccordement incorrect de cet appareil au conducteur de liaison à la terre peut susciter un risque de choc électrique. En cas de doute quant à la qualité de liaison à la terre de la sècheuse, consulter un électricien ou un technicien ou un personnel qualifié. Ne pas modifier la fiche de branchement fournie avec la sècheuse; si la fiche ne correspond pas à la configuration de la prise de courant, demander à un électricien qualifié d'installer une prise de courant appropriée.

### CONSERVEZ CES INSTRUCTIONS

# EXIGENCES D'INSTALLATION POUR LA SÈCHEUSE À GAZ

## Alimentation en gaz

### **AVERTISSEMENT**



#### **Risque d'explosion**

**Utiliser une canalisation neuve d'arrivée de gaz approuvée par CSA International.**

**Installer un robinet d'arrêt.**

**Bien serrer chaque organe de connexion de la canalisation de gaz.**

**En cas de connexion au gaz propane, demander à une personne qualifiée de s'assurer que la pression de gaz ne dépasse pas 330 mm (13 po) de la colonne d'eau.**

**Par personne qualifiée, on comprend :**

**le personnel autorisé de chauffage,  
le personnel autorisé d'une compagnie de gaz, et  
le personnel d'entretien autorisé.**

**Le non-respect de ces instructions peut causer un décès, un explosion ou un incendie.**

La pression de la canalisation de gaz requise pour le fonctionnement de cette sècheuse doit être de 5,2" de colonne d'eau (1,30 kPa) au minimum et de 10,5" de colonne d'eau (2,62 kPa) au maximum.

**IMPORTANT :** Observer les dispositions de tous les codes et règlements en vigueur.

L'installation doit satisfaire aux critères de tous les codes et règlements locaux. En l'absence de code local, l'installation doit satisfaire aux prescriptions de la norme American National Standard, National Fuel Gas Code ANSI Z223.1/NFPA 54 ou CAN/CSA B149.

Pour obtenir un exemplaire des normes des codes ci-dessus, contacter :

National Fire Protection Association  
One Batterymarch Park, Quincy, MA 02269

CSA International  
8501 East Pleasant Valley Road  
Cleveland, Ohio 44131-5575

La conception de cette sècheuse a été homologuée par CSA International pour une utilisation jusqu'à une altitude de 10 000 pieds (3 048 m) au-dessus du niveau de la mer pour le débit thermique indiqué sur la plaque signalétique. Aucun réglage du brûleur n'est nécessaire lorsque la sècheuse est utilisée à une altitude inférieure ou égale à cette valeur maximale.

Lorsque l'appareil est installé à une altitude supérieure à 10 000 pieds (3 048 m), on doit réduire de 4 % le débit thermique du brûleur indiqué sur la plaque signalétique pour chaque tranche de 1 000 pieds (305 m) d'augmentation de l'altitude. Pour obtenir de l'aide lors de la conversion à d'autres types de gaz et/ou l'installation de l'appareil à une altitude supérieure à 10 000 pieds (3048 m), contacter la société de dépannage la plus proche.



# EXIGENCES D'INSTALLATION POUR LA SÈCHEUSE ÉLECTRIQUE

## Exigences de l'emplacement

**⚠ AVERTISSEMENT**



**Risque d'explosion**

**Garder les matières et les vapeurs inflammables, telle que l'essence, loin de la sècheuse.**

**Ne pas installer dans un garage.**

**Le non-respect de ces instructions peut causer un décès, une explosion ou un incendie.**

La sècheuse peut être installée dans un sous-sol, une salle de buanderie ou un encastrement.

Cette sècheuse ne peut pas être installée dans une résidence mobile.

Il faut aussi prendre en compte les exigences d'emplacement des appareils voisins.

**IMPORTANT :** Ne pas installer ou remiser la sècheuse dans un endroit où elle sera exposée à l'eau et/ou aux intempéries. C'est à l'utilisateur qu'incombe la responsabilité de réaliser une installation correcte.

### Il vous faudra :

- Une prise électrique reliée à la terre située à moins de 6 pi (1,8 m) de la prise du cordon électrique se trouvant à l'arrière de la sècheuse. Voir "Spécifications électriques".
- Un plancher de niveau ayant une pente maximale de 1" (25 mm) sous l'ensemble de la sècheuse. L'installation de la sècheuse sur des surfaces de sol molles, telles que tapis ou surfaces avec sous-couche en mousse n'est pas recommandée.

### Distances de dégagement pour l'installation pour la sècheuse électrique

- L'emplacement doit être assez grand pour permettre d'ouvrir complètement la porte de la sècheuse.
- Prévoir davantage d'espace pour faciliter l'installation et l'entretien. La porte s'ouvre à plus de 180°.
- Un espace supplémentaire peut être requis pour les moulures de porte et de plancher et pour les plinthes.
- Un espace supplémentaire de 1" (25 mm) de tous les côtés de la sècheuse est recommandé pour réduire le transfert du bruit.

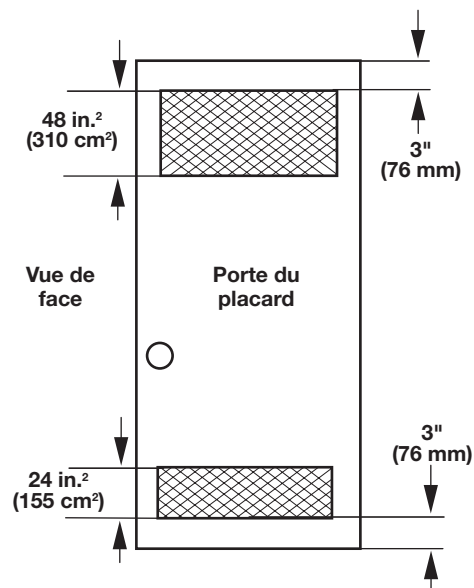
### Instructions d'installation dans un encastrement ou un placard

Cette sècheuse peut être installée dans un encastrement ou un placard. Pour les installations dans un encastrement ou un placard, les dimensions minimales de dégagement sont indiquées sur l'étiquette d'avertissement, à l'arrière de la sècheuse ou dans la section "Dimensions/distances de dégagement".

Les dimensions d'installation sont en pouces et constituent le minimum applicable. Un espace supplémentaire peut être nécessaire pour faciliter l'installation, l'entretien et pour observer les codes et règlements locaux.

Si une porte de placard est installée, une ouverture d'évacuation de l'air minimale est nécessaire dans les parties supérieure et inférieure. Les portes à claire-voie offrant des ouvertures équivalentes sont acceptables.

La sècheuse doit être évacuée à l'extérieur.



# EXIGENCES D'INSTALLATION POUR LA SÈCHEUSE ÉLECTRIQUE

## Spécifications électriques

### **⚠ AVERTISSEMENT**



#### Risque de choc électrique

**Brancher sur une prise à 4 alvéoles reliée à la terre.**

**Le non-respect de cette instruction peut causer un décès ou un choc électrique.**

#### C'est à l'utilisateur qu'incombe la responsabilité de :

- Communiquer avec un électricien qualifié.
- S'assurer que les connexions électriques sont adéquates et conformes au Code canadien de l'électricité, C22.1 – dernière édition et à tous les codes locaux. Pour obtenir un exemplaire de la norme des codes ci-dessus, contacter : Association canadienne de normalisation, 178 Rexdale Blvd., Toronto, ON M9W 1R3 CANADA.
- Alimenter l'appareil uniquement par un circuit monophasé de 120/240 volts CA seulement, 60 Hz à 4 fils, sur un circuit séparé de 30 ampères, fusionné aux deux extrémités de la ligne. On recommande l'emploi d'un fusible temporisé ou disjoncteur. On recommande également que cet appareil soit alimenté par un circuit indépendant.
- Cette sècheuse est équipée d'un cordon électrique homologué par la CSA International à introduire dans une prise murale standard 14-30R. Le cordon mesure 5 pi (1,52 m). Veiller à ce que la prise murale se trouve à proximité de l'emplacement définitif de la sècheuse.



Prise murale  
à 4 fils  
(14-30R)

- Ne pas utiliser de câble de rallonge.

Si on utilise un cordon d'alimentation de rechange, il est recommandé d'utiliser le cordon d'alimentation de rechange numéro de pièce 8579325. Pour plus d'information, veuillez consulter les numéros de service qui se trouvent à la section "Assistance ou service".

### INSTRUCTIONS DE LIAISON À LA TERRE

- Pour une sècheuse reliée à la terre et connectée par un cordon :

Cette sècheuse doit être reliée à la terre. En cas de mauvais fonctionnement ou de panne, la liaison à la terre réduira le risque de choc électrique en offrant au courant électrique un acheminement d'évacuation de moindre résistance. Cette sècheuse est alimentée par un cordon électrique comportant un conducteur relié à la terre et une fiche de branchement munie d'une broche de liaison à la terre. La fiche doit être branchée sur une prise appropriée qui est bien installée et reliée à la terre conformément à tous les codes et règlements locaux.

**AVERTISSEMENT :** Le raccordement incorrect de cet appareil au conducteur de liaison à la terre peut susciter un risque de choc électrique. En cas de doute quant à la qualité de liaison à la terre de la sècheuse, consulter un électricien ou un technicien ou un personnel qualifié. Ne pas modifier la fiche de branchement fournie avec la sècheuse; si la fiche ne correspond pas à la configuration de la prise de courant, demander à un électricien qualifié d'installer une prise de courant appropriée.

### CONSERVEZ CES INSTRUCTIONS

# EXIGENCES CONCERNANT L'ÉVACUATION DE LA SÈCHEUSE

## AVERTISSEMENT



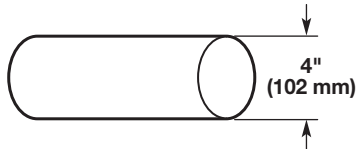
### Risque d'incendie

- Utiliser un conduit d'évacuation en métal lourd.
- Ne pas utiliser un conduit d'évacuation en plastique.
- Ne pas utiliser un conduit d'évacuation en feuille de métal.
- Le non-respect de ces instructions peut causer un décès ou un incendie.

**AVERTISSEMENT :** Pour réduire le risque d'incendie, cette sècheuse doit ÉVACUER L'AIR À L'EXTÉRIEUR.

**IMPORTANT :** Observer les dispositions de tous les codes et règlements en vigueur.

Le conduit d'évacuation de la sècheuse ne doit pas être raccordé à une évacuation de gaz, une cheminée, un mur, un plafond, un grenier, un vide sanitaire ou un vide de construction. Seul un conduit d'évacuation métallique rigide ou souple doit être utilisé pour le système d'évacuation.



Conduit d'évacuation en métal lourd de 4" (102 mm)

- Utiliser uniquement un conduit d'évacuation en métal lourd de 4" (102 mm) et des brides de serrage.
- Ne pas utiliser de conduit de plastique ou de métal très mince.

### Conduit métallique rigide :

- Recommandé pour une performance de séchage idéale afin d'éviter tout écrasement ou déformation.

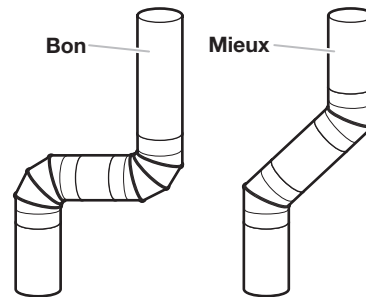
**Conduit métallique flexible :** (Acceptable uniquement si son accès reste facile pour le nettoyage)

- Doit être entièrement déployé et soutenu à l'emplacement d'installation final de la sècheuse.
- Enlever tout excès de conduit flexible pour éviter tout affaissement et déformation susceptible de réduire la capacité d'évacuation et le rendement.
- Ne pas installer le conduit métallique flexible dans des cavités fermées de mur, plafonds ou planchers.
- La longueur totale ne doit pas dépasser 7<sup>3</sup>/<sub>4</sub> pi (2,4 m).

**REMARQUE :** Lors de l'utilisation d'un système d'évacuation existant, nettoyer et éliminer la charpie sur toute la longueur du système, et veiller à ce que le clapet d'évacuation ne soit pas obstrué par de la charpie. Remplacer tout conduit de plastique ou en aluminium par un conduit métallique rigide ou souple. Consulter à nouveau le "Tableau des systèmes d'évacuation" et modifier le système d'évacuation existant au besoin pour obtenir un meilleur séchage.

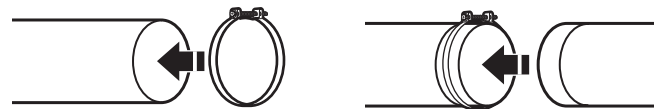
### Coudes :

- Les coudes à 45° permettent une meilleure circulation de l'air que les coudes à 90°.



### Brides de serrage :

- Utiliser des brides pour sceller tous les joints.
- Le conduit d'évacuation ne doit pas être raccordé ou fixé avec des vis ou tout autre dispositif de serrage qui se prolongerait à l'intérieur du conduit et retiendrait la charpie. Ne pas utiliser de ruban adhésif pour conduit.



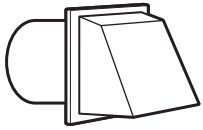
**Une mauvaise évacuation de l'air peut causer de l'humidité et une accumulation de charpie à l'intérieur de la maison, ce qui peut provoquer :**

- Dommages par l'humidité aux boiseries, meubles, peinture, papier-peint, tapis, etc.
- Problèmes de nettoyage dans la maison et problèmes de santé.

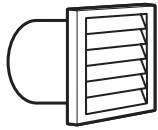
# EXIGENCES CONCERNANT L'ÉVACUATION DE LA SÈCHEUSE

## Hottes d'extraction

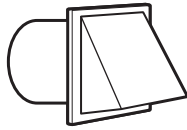
### Clapets d'évacuation – Diamètre de 4" (102 mm)



Clapet de type boîte

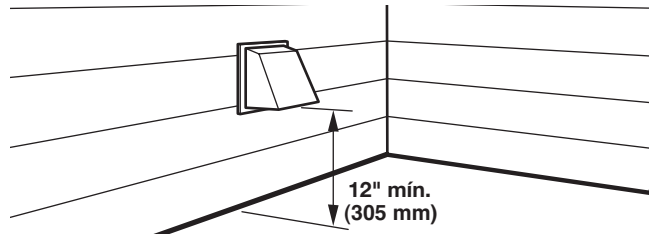


Clapet à persiennes



Clapet incliné

Le clapet de décharge doit se trouver à au moins 12" (305 mm) au-dessus du sol ou de tout autre objet susceptible de se trouver sur le trajet de l'air humide rejeté (par exemple, fleurs, roches, buissons ou neige).



## Longueur du système d'évacuation

### Longueur maximale du conduit/raccord

La longueur maximale du système d'évacuation dépend du type de conduit utilisé, du nombre de coudes et du type de clapet d'évacuation.

Tableau des systèmes d'évacuation (conduit en métal rigide)

Nbre de changements de direction à 90°	Clapet de type de boîte ou à persiennes	Clapet incliné
0	130 pi (39,6 m)	129 pi (39,3 m)
1	125 pi (38,1 m)	119 pi (36,3 m)
2	115 pi (35,1 m)	109 pi (33,2 m)
3	106 pi (32,3 m)	100 pi (30,5 m)
4	98 pi (29,9 m)	92 pi (28,0 m)

Pour les systèmes d'évacuation autres que ceux indiqués dans le tableau des systèmes d'évacuation, consulter le revendeur de pièces.

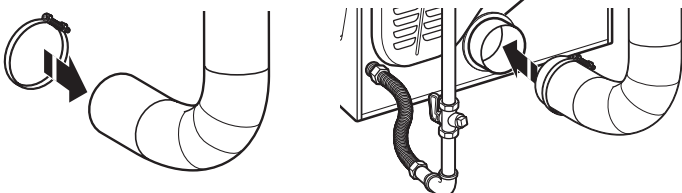
Prévoir un espace suffisant pour la combustion et la ventilation de l'air. (Vérifier les dispositions des codes et règlements en vigueur). Voir "Instructions d'installation dans un encastrement ou un placard" dans les sections "Exigences de l'emplacement".

Il est préférable d'utiliser une sortie de hotte de 4" (102 mm). Cependant, on peut utiliser un clapet d'évacuation de 2½" (64 mm). Une sortie de 2½" (64 mm) cause davantage de contre-pression que les autres types d'installation. Pour une installation permanente, un système d'évacuation fixe est requis.

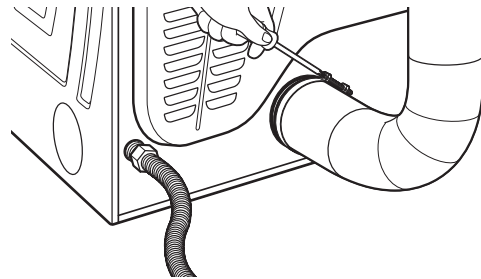
### Raccordement du conduit d'évacuation

1. Si on utilise le conduit d'évacuation existant, s'assurer qu'il est propre.
2. À l'aide d'une bride de fixation de 4" (102 mm), relier le conduit d'évacuation à la bouche d'évacuation de la sècheuse.

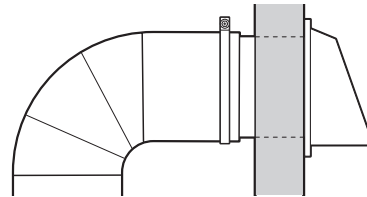
Raccord de sortie



3. Serrer la bride de serrage de tuyau avec un tournevis Phillips.



4. S'assurer que le conduit d'évacuation est fixé au clapet d'évacuation à l'aide d'une bride de fixation de 4" (102 mm).



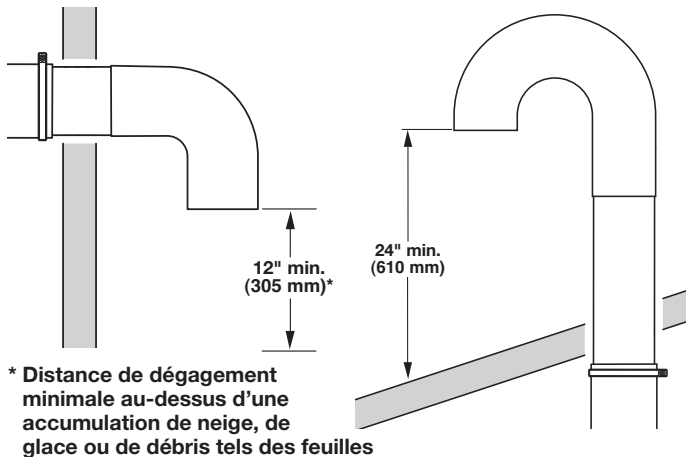
5. Placer la sècheuse à son emplacement final. Ne pas écraser ni pincer le conduit d'évacuation. Vérifier que la sècheuse est d'aplomb.

**REMARQUE :** Ne pas enlever le raccord de sortie.

# EXIGENCES CONCERNANT L'ÉVACUATION DE LA SÈCHEUSE

## Si on ne peut pas utiliser de clapet d'évacuation

L'extérieur du conduit d'évacuation principal doit comporter un conduit de déviation orienté vers le bas.



Si le conduit principal monte verticalement à travers le toit et non à travers le mur, installer un coude de déviation à 180° à l'extrémité du conduit d'au moins 2 pi (610 mm) au-dessus de la surface ou du toit.

Le diamètre de l'ouverture dans le toit ou le mur doit être supérieur de 1/2" (13 mm) à celui du conduit. Le conduit doit être centré dans l'ouverture.

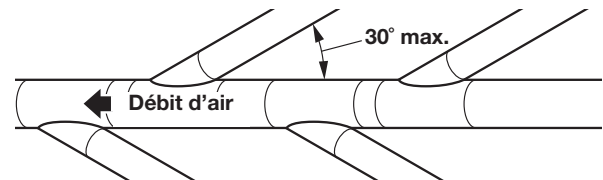
Pour de meilleures performances, ne pas installer de grillage à l'extrémité de l'évacuation.

## Évacuation pour plusieurs sècheuses

On peut utiliser un conduit principal pour assurer l'évacuation d'un ensemble de sècheuses. La taille du conduit principal doit permettre une évacuation de 200 CFM d'air pour chaque sècheuse. On peut utiliser des filtres à charpie haute capacité correctement conçus dans le conduit principal s'ils sont inspectés et nettoyés régulièrement. La pièce dans laquelle se trouvent les sècheuses doit comporter un système d'air d'appoint au moins égal au CFM de toutes les sècheuses qui se trouvent dans la pièce.

Un ensemble clapet anti-retour est disponible auprès de votre distributeur et doit être installé sur la ligne d'évacuation de chaque sècheuse pour éviter que l'air évacué revienne dans les sècheuses et pour maintenir l'évacuation en équilibre avec le conduit de sortie principal. Des ouvertures dégagées pour le retour d'air sont nécessaires.

Chaque conduit doit pénétrer dans le conduit principal en direction du mouvement de circulation de l'air. Les évacuations par l'autre côté doivent être placées en quinconce (décalées) pour réduire les interférences avec l'air sortant des autres évacuations en face.



L'inclinaison maximale de chaque conduit qui pénètre dans le conduit principal ne doit pas dépasser 30°.

Veiller à ce que les ouvertures de passage d'air demeurent exemptes de vapeurs de solvants de nettoyage à sec. Les vapeurs sont source de formation de composés acides, dont l'introduction via les modules de chauffage de la sècheuse peut provoquer la détérioration de la sècheuse et du linge en cours de séchage.

L'ouverture principale comporte normalement un couvercle amovible, ce qui permet le nettoyage périodique du circuit d'extraction.

## RACCORDEMENT À LA CANALISATION DE GAZ

### Raccordement à la canalisation de gaz

#### **⚠ AVERTISSEMENT**

##### **Risque du poids excessif**

**Utiliser deux ou plus de personnes pour déplacer et installer la sècheuse.**

**Le non-respect de cette instruction peut causer une blessure au dos ou d'autre blessure.**

1. Retirer le capuchon rouge de la canalisation de gaz.
2. Raccorder la canalisation de gaz à la sècheuse. Utiliser un composé d'étanchéité compatible avec le gaz propane. Si un conduit métallique flexible est utilisé, vérifier qu'il n'est pas déformé.

Si nécessaire pour une intervention d'entretien ou de réparation, ouvrir la plinthe en ôtant les 2 vis de 1/4" (6 mm) à tête hexagonale du fond du panneau. Soulever ensuite le panneau tout en tirant le fond du panneau hors de la sècheuse.

3. Ouvrir le robinet d'arrêt de la canalisation d'arrivée de gaz et vérifier que la canalisation de gaz à la sècheuse est ouverte.
4. Vérifier tous les raccords en badigeonnant d'une solution de détection des fuites non corrosive approuvée. L'apparition de bulles indique une fuite. Réparer toute fuite éventuelle.

# RACCORDEMENT À LA CANALISATION DE GAZ

## Type de gaz

Cette sècheuse est équipée pour une alimentation au gaz naturel. Sa conception est homologuée par CSA International pour l'alimentation au gaz de pétrole liquéfié (propane ou butane), avec conversion appropriée. Ne pas entreprendre de convertir la sècheuse pour une utilisation avec un gaz différent

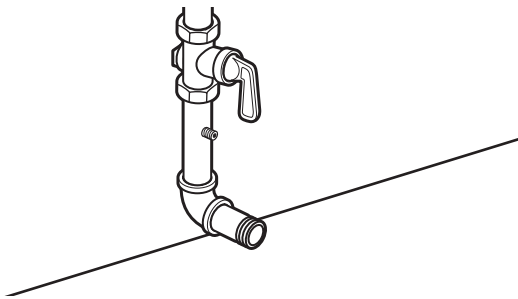
de celui indiqué sur la plaque signalétique sans consulter le fournisseur de gaz au préalable. L'opération de conversion doit être exécutée par un technicien de réparation qualifié.

Les numéros de pièce de l'ensemble de conversion de gaz sont indiqués sur la base des brûleurs.

## Canalisation d'alimentation en gaz

### Méthode recommandée

Installer une canalisation de gaz rigide de 1/2" (13 mm) jusqu'à l'emplacement d'installation de la sècheuse. On doit utiliser un composé d'étanchéité des tuyauteries résistant à l'action du gaz de pétrole liquéfié. Ne pas utiliser de ruban TEFLON<sup>†</sup>. Pour l'alimentation au propane, le diamètre des canalisations ou tuyaux doit être de 1/2" (13 mm) minimum. En général, le fournisseur de gaz propane détermine les matériaux à utiliser et le diamètre approprié pour le circuit.



### Test de pressurisation de la canalisation de gaz

Un piquage bouché de 1/8" NPT minimum, accessible pour le contrôle de pression, doit être installé immédiatement en aval du robinet d'arrêt installé pour la sècheuse (comme illustré ci-dessous). Lors de toute épreuve de pressurisation du système à une pression supérieure à 1/2 lb/po<sup>2</sup> (352 kg/m<sup>2</sup>), on doit déconnecter la sècheuse de la tuyauterie de l'alimentation en gaz.

### Méthode alternative

L'alimentation en gaz peut aussi être raccordée à l'aide d'un conduit en cuivre ou en aluminium homologué de 3/8" (10 mm). Si la longueur totale de la canalisation d'alimentation est supérieure à 20 pi (6,1 m), utiliser un conduit de taille supérieure.

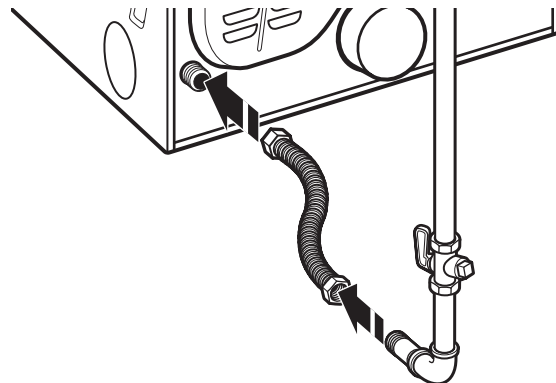
Pour le gaz naturel, ne pas utiliser de conduits en cuivre. On doit utiliser un composé d'étanchéité des tuyauteries résistant à l'action du gaz d'alimentation.

### Robinet d'arrêt nécessaire

La canalisation d'alimentation doit comporter un robinet d'arrêt individuel manuel installé à 6 pi (1,8 m) maximum de la sècheuse conformément au National Fuel Gas Code, ANSI Z223.1. Le robinet doit se trouver dans la même pièce que la sècheuse. La canalisation doit se trouver en un endroit facilement accessible pour les manœuvres d'ouverture/fermeture. Ne pas entraver l'accès au robinet d'arrêt manuel. Au Canada, un robinet d'arrêt individuel doit être installé conformément aux codes d'installation B149.1 CAN/CGA B149.1 et CAN/CGA B149.2.

### Raccord métallique flexible pour appareil ménager :

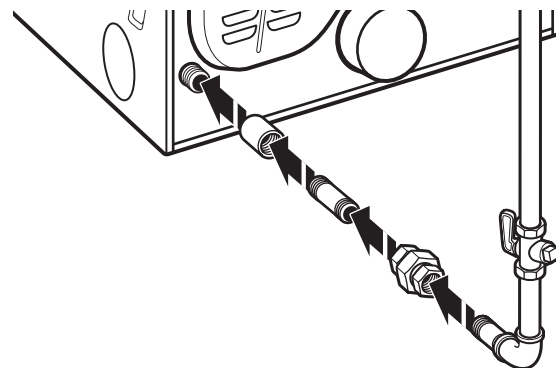
Il est recommandé d'utiliser une canalisation en acier inoxydable souple neuve, conception homologuée par CSA International, pour raccorder la sècheuse à la conduite d'alimentation en gaz. (La canalisation d'arrivée de gaz émergeant au niveau de la partie inférieure arrière de la sècheuse est dotée d'un filetage mâle de 3/8").



**REMARQUE :** Ne pas déformer/endommager la canalisation en acier inoxydable flexible lors du déplacement de la porte.

### Raccordement par conduit rigide

On doit utiliser un ensemble de raccords pour réaliser un raccordement rigide à la sècheuse.



# INSTALLATION DES PIEDS DE NIVELLEMENT, DE LA GLISSIÈRE À MONNAIE ET DE LA CAISSE À MONNAIE

Le mécanisme de paiement, la serrure et la clé du tableau de commande et la serrure et la clé de réceptacle des pièces ne sont pas inclus; on peut les obtenir auprès des sources usuelles de l'industrie. Pour ce modèle, on doit utiliser un dispositif spécial d'extension de glissière que l'on peut acheter auprès d'un distributeur de glissières.

## **⚠ AVERTISSEMENT**

### **Risque du poids excessif**

**Utiliser deux ou plus de personnes pour déplacer et installer la sècheuse.**

**Le non-respect de cette instruction peut causer une blessure au dos ou d'autre blessure.**

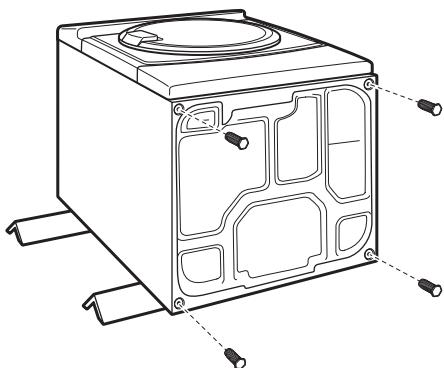
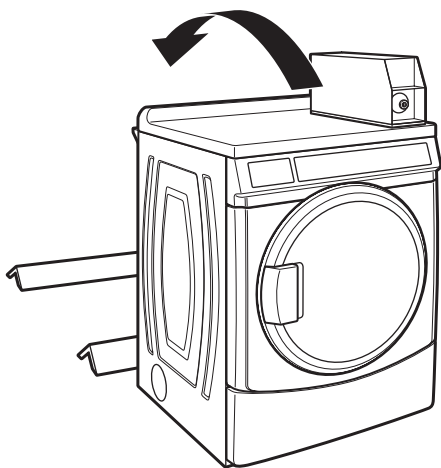
### **1. Préparation de la sècheuse pour les pieds de nivellement**

**NOTE :** Placer la sècheuse sur une feuille de carton ou un panneau de bois dur avant de la déplacer sur le plancher, afin d'éviter d'endommager le revêtement du sol.

À l'aide de deux personnes ou plus, déplacer la sècheuse à l'emplacement d'installation désiré.

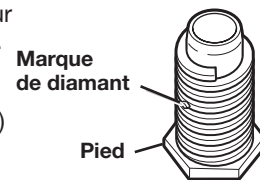
Enlever le ruban adhésif dans les angles avant de la sècheuse. Ouvrir la sècheuse; enlever les brochures et sachets de pièces. Essuyer parfaitement la surface interne du tambour avec un chiffon humide.

Prendre deux cornières de carton de l'emballage et les placer sur le plancher à l'arrière de la sècheuse. Saisir fermement la sècheuse et la placer doucement en appui sur la face arrière, sur les cornières de carton.



### **2. Vissage des pieds de nivellement**

Examiner les pieds de nivellement pour trouver le repère en forme de diamant. Introduire manuellement les pieds dans les trous des pieds. Utiliser une clé à molette ou une clé de 1" (25 mm) pour faire tourner les pieds jusqu'à ce que la marque de repérage (losange) ne soit plus visible. Placer ensuite un cache-pied sur chaque pied.

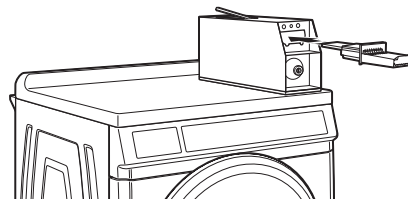


Pour protéger le plancher, utiliser un grand morceau de carton provenant de l'emballage de la sècheuse. Redresser la sècheuse sur le morceau de carton. Faire glisser la sècheuse jusqu'à ce qu'elle se trouve à proximité de son emplacement final. Laisser suffisamment d'espace pour pouvoir réaliser le raccordement électrique et raccorder le conduit d'évacuation.

**Sur certains modèles :** Le boîtier du compteur abrite le mécanisme de glissière à pièces, le verrou et la clé de service ainsi que le verrou et la clé de la boîte à monnaie.

### **3. Installation d'une glissière et d'une caisse à monnaie**

Ôter la plaque de l'ouverture d'accès du boîtier de commande. Soulever la plaque à l'arrière pour l'enlever. Installer le dispositif d'introduction de pièces (pour l'installation, consulter les instructions d'installation du fabricant).



Réinstaller la plaque de l'ouverture d'accès du boîtier de commande. Placer la boîte à pièces avec la serrure et la clé dans l'ouverture d'accès du boîtier de commande.

Retirer la feuille de carton ou le panneau de bois dur placé sous la sècheuse. Relever ou abaisser les pieds de la sècheuse jusqu'à ce que la sècheuse soit d'aplomb.

# NIVELLEMENT

Le nivellement de la sécheuse permet le bruit et les vibrations excessifs.

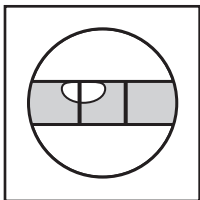
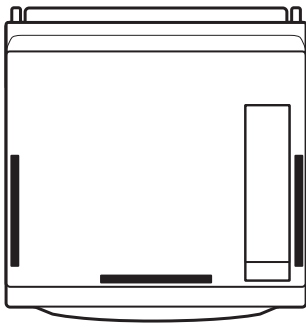
## **AVERTISSEMENT**

### Risque du poids excessif

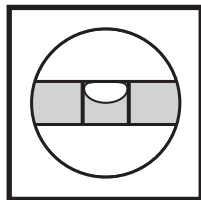
Utiliser deux ou plus de personnes pour déplacer et installer la sécheuse.

Le non-respect de cette instruction peut causer une blessure au dos ou d'autre blessure.

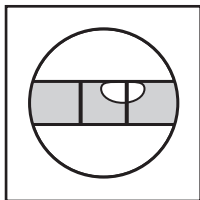
1. Enlever la plaque de carton placée sous la sécheuse. Placer un niveau sur les bords supérieurs de la sécheuse en contrôlant chaque côté et l'avant. Si elle n'est pas d'aplomb, faire basculer la sécheuse et régler les pieds vers le haut ou vers le bas, et recommencer si nécessaire.



Pas d'aplomb

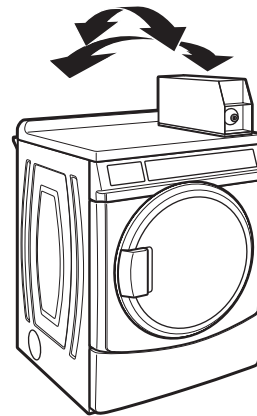


D'APLOMB



Pas d'aplomb

2. Saisir la sécheuse par le dessus et la faire basculer d'avant en arrière tout en s'assurant que les quatre pieds sont en contact ferme avec le sol. Faire de nouveau basculer la sécheuse, transversalement. Si la sécheuse bascule, ajuster les pieds de nivellement.



3. Si la sécheuse n'est pas d'aplomb, tourner ensuite les pieds de nivellement dans le sens antihoraire pour abaisser la sécheuse ou dans le sens horaire pour les soulever. Contrôler à nouveau l'aplomb de la sécheuse et vérifier que les quatre pieds sont en contact ferme avec le sol. Répéter si nécessaire.

**CONSEIL UTILE :** Il serait judicieux de soulever l'avant de la sécheuse d'environ 4" (102 mm) à l'aide d'une cale en bois ou d'un objet similaire qui soutiendra le poids de la sécheuse.



# ACHEVER L'INSTALLATION

1. Consulter les spécifications électriques. Vérifier que la tension électrique disponible est correcte et que la prise de courant est convenablement reliée à la terre. Voir "Spécifications électriques".
2. Vérifier que toutes les pièces sont maintenant installées. S'il reste une pièce, passer en revue les différentes étapes.
3. Vérifier la présence de tous les outils.
4. Éliminer/recycler tous les matériaux d'emballage.

## **AVERTISSEMENT**



### **Risque de choc électrique**

**Brancher sur une prise à 3 alvéoles reliée à la terre.**

**Ne pas enlever la broche de liaison à la terre.**

**Ne pas utiliser un adaptateur.**

**Ne pas utiliser un câble de rallonge.**

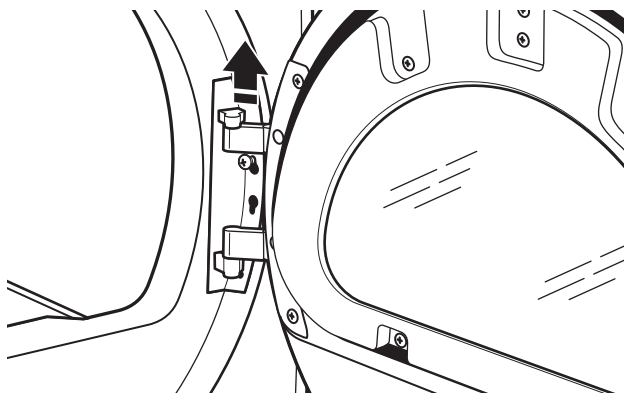
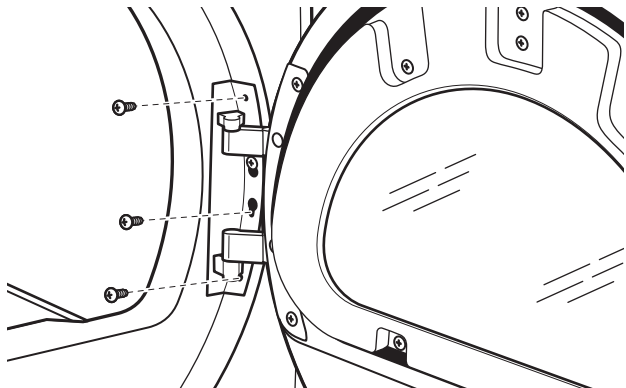
**Le non-respect de ces instructions peut causer un décès, un incendie ou un choc électrique.**

5. Brancher sur une prise reliée à la terre ou connecter la source de courant électrique.
6. Contrôler le bon fonctionnement de la sècheuse: Fermer la porte de la sècheuse. Insérer les pièces dans le mécanisme à glissière et enfoncer doucement le mécanisme à glissière. Sélectionner le programme Whites and Colors (blancs et couleurs) et laisser la sècheuse fonctionner pendant au moins 5 minutes.  
**REMARQUE :** Il faut que la porte soit fermée pour que la sècheuse puisse fonctionner.
7. Ouvrir la porte de la sècheuse. Vérifier que l'intérieur de la sècheuse est chaud. Si le brûleur ne s'allume pas et qu'on ne ressent pas de chaleur à l'intérieur de la sècheuse, éteindre la sècheuse pendant cinq minutes. Vérifier que toutes les manettes des vannes d'alimentation sont en position ouverte ("ON") et que le cordon électrique est branché. Répéter le test de 5 minutes décrit ci-dessus.
8. Si le temps de séchage est trop long, s'assurer que le filtre à charpie est propre, et vérifier qu'il n'y a aucun obstacle au débit d'air du circuit d'évacuation de la sècheuse.
9. Démarrer à nouveau la sècheuse et la laisser exécuter le programme pour vérifier qu'elle fonctionne correctement.

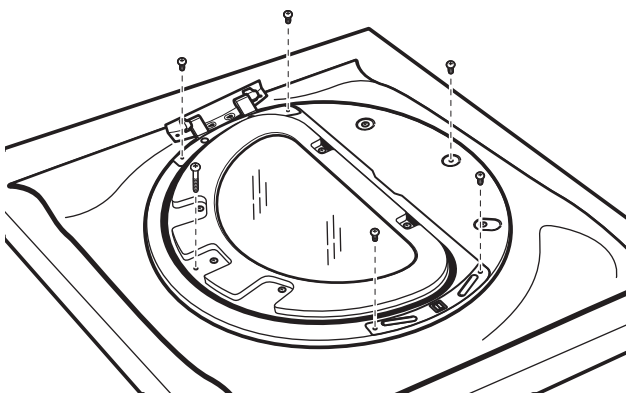
# INVERSION DU SENS D'OUVERTURE DE LA PORTE DE LA SÉCHEUSE (FACULTATIF)

## Dépose de la porte

1. Placer une serviette ou un chiffon doux sur le dessus de la sécheuse ou du plan de travail pour éviter d'érafler la surface.
2. Enlever 3 des 4 vis qui maintiennent la charnière de la porte sur le panneau avant de la sécheuse. Desserrer partiellement la vis restante dans l'ouverture en forme de trou de serrure et soulever la porte pour la dégager de la vis.

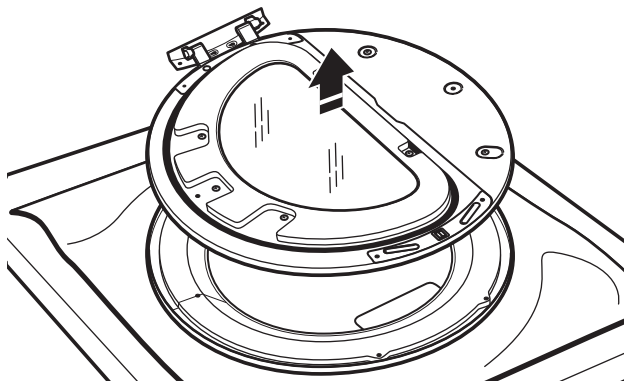


3. Poser la porte sur une surface plane préparée à l'avance en orientant l'intérieur (partie interne de la porte) vers le haut et retirer les 6 vis Phillips pour séparer la partie externe de la porte de la partie interne.

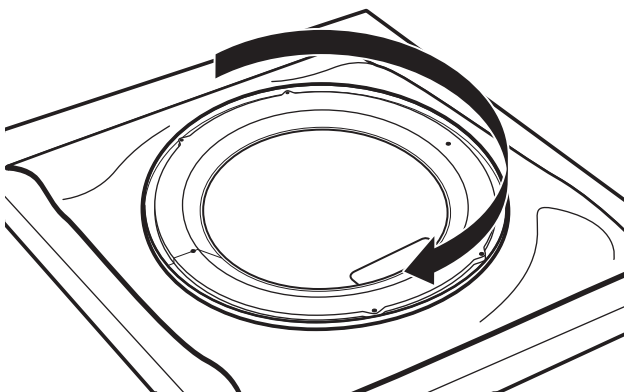


**REMARQUE:** Il est important d'enlever uniquement les 6 vis indiquées.

4. Soulever la partie interne de la porte pour la dégager de la partie externe.

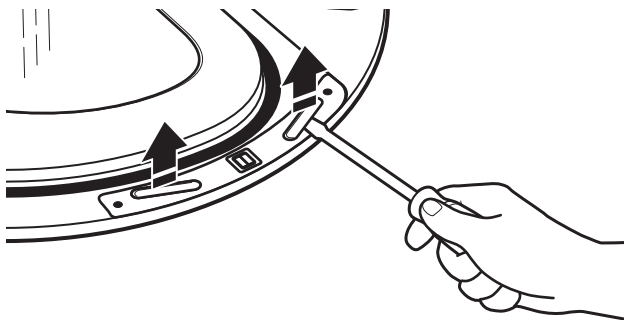


5. Faire pivoter la partie externe de 180°.

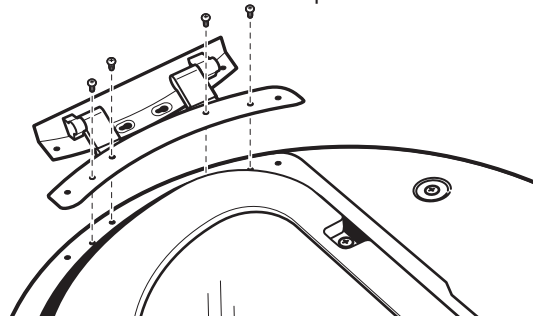


## Inversion de la charnière

1. Utiliser un petit tournevis à lame plate pour enlever 2 pitons d'obturation de la partie interne de la porte. Faire glisser la tête du tournevis sous les pitons, en veillant à ne pas érafler la partie interne de la porte et soulever la languette.

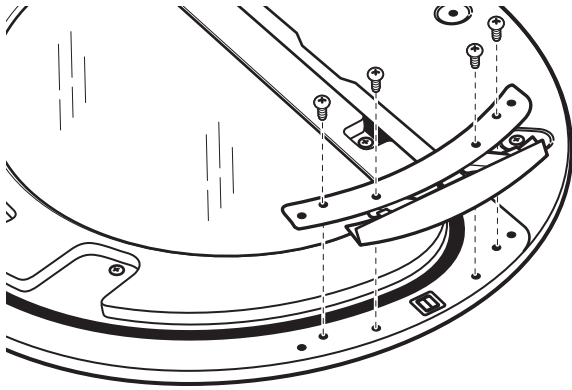


2. Retirer les 4 vis fixant la charnière de porte interne.

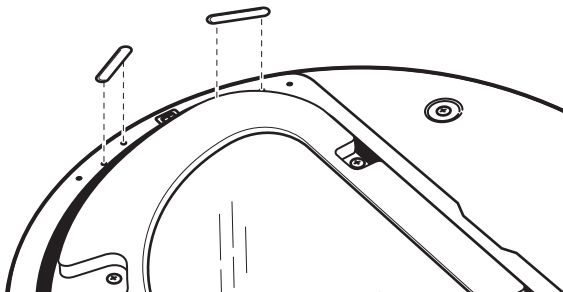


# INVERSION DU SENS D'OUVERTURE DE LA PORTE DE LA SÉCHEUSE (FACULTATIF)

3. Déplacer la charnière de l'autre côté. Réinstaller les 4 vis.



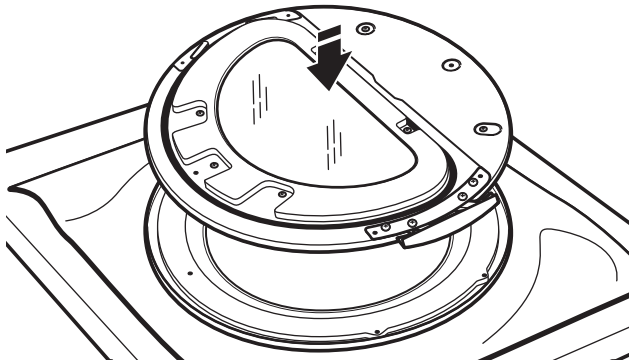
4. Réinstaller les pitons d'obturation sur le côté opposé de la porte interne.



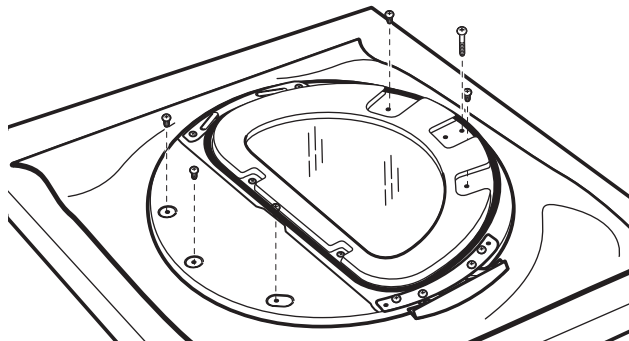
5. Vérifier qu'il n'y a pas de marques de doigts sur le verre. Nettoyer au besoin.

## Remplacement de la porte

1. Placer la partie interne de la porte à l'intérieur de la partie externe.

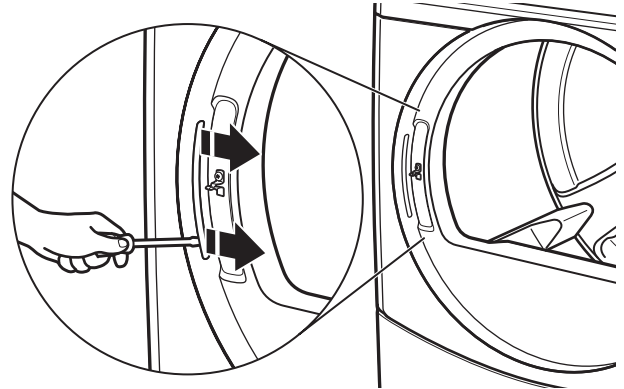


2. Assembler de nouveau les parties interne et externe de la porte avec les 6 vis.

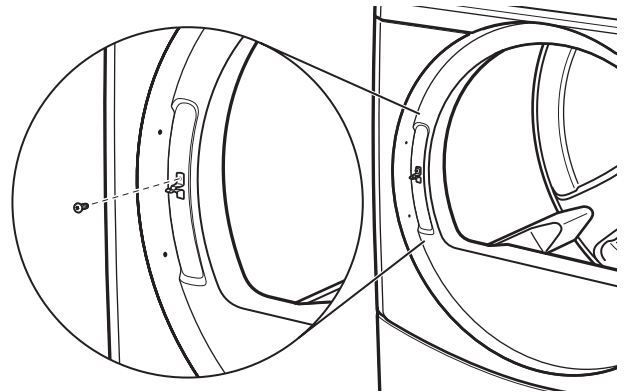


## Inversion de la gâche

1. Utiliser un petit tournevis à lame plate pour enlever les pitons d'obturation dans l'ouverture de la porte du sèche-linge. Faire glisser la tête du tournevis sous les pitons, en veillant à ne pas érafler la surface de la sécheuse et soulever la languette.



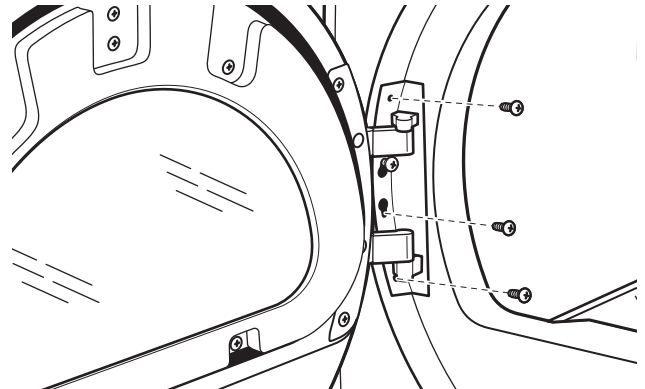
2. Retirer la gâche à l'aide d'un tournevis Phillips.



3. Installer la gâche du côté opposé.

## Réinstallation de la porte

1. Insérer partiellement la troisième vis depuis le dessus et faire coulisser la charnière sur la vis tout en insérant la charnière dans le trou du panneau avant. Fixer de nouveau la porte sur le panneau avant de la sécheuse avec les 3 vis restantes.



2. Vérifier qu'il n'y a pas de marques de doigts sur le verre. Nettoyer au besoin.

3. Fermer la porte et vérifier qu'elle s'enclenche solidement.

# INSTRUCTIONS D'ENTRETIEN

---

- Nettoyer le filtre à charpie avant ou après chaque programme.
- Comment enlever la charpie accumulée :  
À l'intérieur de la caisse de la sécheuse :  
Il faut retirer la charpie accumulée dans le conduit d'évacuation tous les 2 ans ou plus souvent, selon l'utilisation de la sécheuse. Le nettoyage doit être effectué par une personne qualifiée.  
De l'intérieur du conduit d'évacuation :  
Retirer la charpie tous les 2 ans, ou plus souvent, selon l'utilisation de la sécheuse.
- Dégager l'espace autour de la sécheuse; aucune matière combustible, essence ou autres vapeurs ou liquides inflammables ne doit s'y trouver.
- Dégager l'emplacement de la sécheuse de façon à ce qu'il soit libre de tout élément susceptible d'obstruer le débit d'air de combustion et de ventilation.

## Si la sécheuse ne fonctionne pas, contrôler ce qui suit :

- La prise de courant est correctement alimentée.
- Le disjoncteur ne s'est pas déclenché et aucun fusible n'est grillé.
- La porte est fermée. Écouter attentivement pour vérifier que le loquet de porte s'enclenche.
- Le tableau de commande est installé correctement et l'affichage affiche la durée de cycle.
- Le bouton de sélection de programmes a été fermement enfoncé.
- Pour une sécheuse à gaz, vérifier que les robinets de la canalisation de gaz sont ouverts.

# SI VOUS AVEZ BESOIN D'ASSISTANCE

---

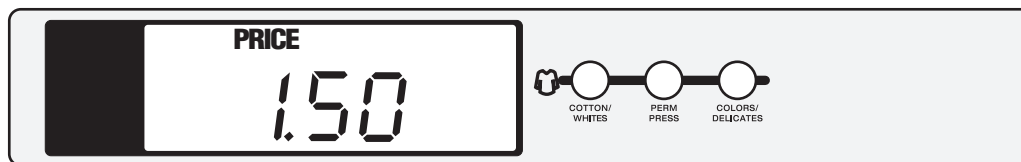
Contactez le revendeur autorisé d'appareils de buanderie à usage commercial. Pour localiser votre revendeur autorisé d'appareils de buanderie à usage commercial ou pour toute question via internet, consultez [www.WhirlpoolCommercialLaundry.com](http://www.WhirlpoolCommercialLaundry.com).

Si vous ne parvenez pas à localiser un revendeur, le centre d'aide pour les appareils de buanderie à usage commercial répond à toute question qui n'aurait pas été abordée dans les "Instructions d'installation" au sujet du fonctionnement ou de l'entretien de la sécheuse.

Il suffit de composer le **1-800-662-3587** – l'appel est gratuit.

Lors de votre appel, vous aurez besoin du numéro de modèle et de série de la sécheuse. Ces deux numéros figurent sur la plaque signalétique située dans l'encadrement de la porte de la sécheuse.

# INSTRUCTIONS DE RÉGLAGE DU TABLEAU DE COMMANDE ÉLECTRONIQUE



**REMARQUE :** Une fois la sècheuse est installée et branchée, l’affichage indique “0 MINUTES.” Une fois la porte est ouverte et fermée, l’affichage indique le prix d’utilisation.

## Informations générales d’utilisation

**DÉFILEMENT D’UN MESSAGE DE “OUT OF ORDER” (EN PANNE), SUIVI DU CODE DE DÉFAILLANCE OU DE DIAGNOSTIC, SUR L’AFFICHAGE** – Cette situation indique que la sècheuse ne fonctionne pas.

**“0 MINUTES” INDIQUÉ SUR L’AFFICHAGE** – Cette mention indique que la sècheuse ne peut pas être remise en marche. Les pièces introduites ou le débit par carte engagé pendant cette phase sont stockées en avoir, mais ne sont pas utilisables tant que le fonctionnement normal n’est pas rétabli par l’ouverture et la fermeture de la porte. En cas de défaillance du contacteur d’une porte, qui provoque le maintien de l’affichage “0 MINUTES” après l’ouverture et la fermeture de la porte, le contacteur doit être remplacé avant le rétablissement d’un fonctionnement normal.

**DÉMARRAGE À FROID (première utilisation)** – La sècheuse est programmée en usine de la manière suivante :  
Prix du séchage 1,50 \$ (30 minutes).  
Modèles 9060 seulement : Prix du séchage 0,00 \$ (30 minutes).

**DÉMARRAGE À CHAUD (après coupure d’électricité)** – Quelques secondes après le rétablissement de l’alimentation, si un programme était en cours au moment de la coupure, “RESELECT CYCLE” (resélectionner programme) clignote sur l’affichage, indiquant qu’il faut appuyer sur un bouton de réglage du type de tissu pour redémarrer la sècheuse.

**TARIFS** – Une fois la porte ouverte, puis fermée après la fin de programme, l’affichage indique le prix du programme (à moins d’un réglage pour un fonctionnement gratuit, où l’affichage clignote en indiquant “SELECT CYCLE” (sélectionner programme)). Après l’insertion de pièces ou un débit de la carte de débit, l’affichage change pour guider l’utilisateur dans le lancement d’un programme.

## Il existe quatre (4) types de tarif de la sècheuse :

### Tarif de vente fixe

Un paramétrage de la sècheuse pour un fonctionnement en programme fixe peut accepter uniquement les durées supplémentaires accumulées par paliers égaux à la durée d’un programme de séchage complet. Un maximum de 99 minutes peut être acheté ; aucun crédit supplémentaire n’est accordé pour les pièces insérées lorsque 99 minutes est affiché.

### Tarif par accumulation

Si l’option d est fixée à d.00, et le code 6 est fixé à une pièce 1, est défini sur une pièce 1, alors le tarif par accumulation est en vigueur. La durée du programme peut être augmentée avec une pièce à la fois jusqu’à une durée maximale de 99 minutes.

## Programme fixe avec tarif d’appoint (disponible pour l’utilisation avec des dépôts de pièces ou des lecteurs de carte seulement)

Une sècheuse réglée pour proposer une fonctionnalité “Top Off” (appoint) permet d’ajouter une durée à un programme de séchage existant par paliers égaux au nombre de minutes de durée de séchage par pièce de 0,25 \$, jusqu’à 99 minutes, quel que soit le coût nécessaire pour mettre en marche la sècheuse. Aucun crédit n’est accordé pour les pièces insérées ou les apports par carte de débit lorsque l’affichage indique 99 minutes.

**PROGRAMMES GRATUITS** – Cette fonction est établie en réglant le prix du programme sur zéro. Dans ce cas, “SELECT CYCLE” (sélectionner programme) s’affiche à la place du prix du programme. Tout programme commencé comme programme gratuit prend fin automatiquement lors de l’ouverture de la porte.

**COMPATIBLE CARTE DE DÉBIT** – Cette sècheuse est compatible pour avec les lecteurs de carte de débit. Elle accepte divers systèmes de cartes de débit, mais est livré SANS lecteur de carte de débit. Consulter le fabricant du lecteur de carte de débit pour une installation correcte avec la sècheuse. Lorsqu’un lecteur de carte de Génération 2 est installé, la sècheuse est placée en mode paiement débit amélioré.

En mode débit amélioré, le prix d’appoint peut être réglé indépendamment (voir VALEUR DE LA PIÈCE 2), et la durée de l’appoint est calculé en fonction de l’équation suivante :

$$\frac{\text{prix de l'appoint}}{\text{prix du programme complet}} = \frac{\text{Durée de l'appoint}}{\text{durée du programme complet}}$$

Dans les modèles convertis en un système à carte de débit de 1e génération, les impulsions de débit représentent l’équivalent d’une pièce (pièce 1).

**NOTE :** Le mode paiement débit amélioré ne peut être désélectionné.

## Procédures de paramétrage des commandes

**IMPORTANT :** Lire toutes les instructions avant la mise en marche.

Les boutons de réglage du type de tissu avec l’affichage numérique servent à paramétrer les commandes de la sècheuse.

L’affichage peut contenir 4 chiffres et/ou lettres et un point décimal. Il indique les codes de paramétrage et les valeurs correspondantes pour la programmation de la sècheuse.

# INSTRUCTIONS DE RÉGLAGE DU TABLEAU DE COMMANDE ÉLECTRONIQUE

## Utilisation des boutons pour la programmation des commandes

1. Le bouton COTTON/WHITES (coton/ blanc) sert à régler les valeurs associées aux codes de paramétrage. En appuyant sur le bouton, la valeur change par paliers. Un réglage rapide possible en maintenant le bouton enfoncé.
2. Le bouton PERM. PRESS (pressage permanent) fait défiler les codes de paramétrage. En appuyant sur le bouton, la sécheuse avancement au code de paramétrage suivant. Maintenir le bouton enfoncé pour faire défiler automatiquement les codes de paramétrage à une vitesse supérieure à 1 par seconde.
3. Le bouton COLORS/DELICATES (couleur/articles délicats) sert à sélectionner ou désélectionner les options.

## Paramétrage en début d'exploitation

Insérer la clé de la porte d'accès de service; tourner et soulever pour enlever la porte d'accès de service.

### Sécheuses avec lecteur de carte installé :

Après installation du lecteur de carte de débit (conformément aux instructions du fabricant du lecteur de carte), pour accéder au mode de paramétrage, insérer la carte de paramétrage manuel (fournie par le fabricant du lecteur de carte) dans le lecteur de carte. Si une carte de paramétrage manuel n'est pas disponible, seul le mode de diagnostic est accessible en enlevant la porte d'accès de service.

**IMPORTANT :** Pour accéder au mode de paramétrage ou de diagnostic, utiliser une clé de service (modèles 9050) pour ouvrir la porte d'accès pour entretien. Si un lecteur de carte est installé, une carte de service est disponible pour accéder aux diagnostics. Si aucune clé de service n'est disponible (modèles 9060), le connecteur AA1 doit être déposé pour y avoir accès. Ne pas ouvrir la console avant d'avoir déconnecté la sécheuse de toute source d'énergie. Pour accéder au connecteur AA1 :

1. Débrancher la sécheuse ou déconnecter la source de courant électrique.
2. Ouvrir la console, déposer le connecteur AA1, refermer la console.
3. Brancher la sécheuse ou reconnecter la source de courant électrique.

La sécheuse est maintenant au mode de configuration/paramétrage.

**REMARQUE :** Il n'est pas nécessaire de paramétrer la sécheuse avec les codes suivants; la sécheuse est déjà paramétrée à l'usine. Ces codes peuvent être utilisés pour modifier les réglages si désiré.

## Codes de paramétrage

- La touche PERM PRESS (pressage permanent) permet de passer d'un code au suivant.
- La touche COTTON/WHITES (coton/blanc) fait changer la valeur du code.
- La touche COLORS/DELICATES (couleur/articles délicats) permet de sélectionner et désélectionner les options.

Le caractère ou les deux caractères situés le plus à gauche correspondent au code de paramétrage. Les deux ou les trois caractères situés le plus à droite correspondent à la valeur du code de paramétrage.

**NOTE :** La première ligne de chaque code indique la configuration à l'usine.

Code	Explication
<b>6 01 PRIX DU PROGRAMME NORMAL</b>	
6 01	Lorsque le d.xx est réglé à d.CS, cette valeur 6 xx représente le nombre de manoeuvres à effectuer sur la glissière d'insertion des pièces pour la mise en marche de la sécheuse. 6 01 représente une manoeuvre de la glissière à pièces de monnaie.
6 00	Lorsque le d.xx est réglé à d.00, cette valeur 6 xx représente le nombre de pièces pour la mise en marche de la sécheuse; réglage dans la plage 0–39. Pour changer cette valeur, appuyer sur la touche COTTON/WHITES (coton/blanc). 6 06 = 6 pièces = 1,50 \$. (Le défaut pour les modèles 9060 est 6 00.) <ul style="list-style-type: none"><li>• Appuyer une fois sur la touche PERM PRESS (pressage permanent) pour passer au code suivant.</li></ul>
<b>7 05 TEMPS DE SÉCHAGE RÉGULIER</b>	
7 05	Lorsqu'il est réglé à fonctionnement par dépôt de pièce ou par lecteur de carte, le temps de séchage est égal à la valeur de temps de séchage régulier x la valeur de prix pour programme régulier. Exemple : 6 06 et 7 05 = (06 x 05 = 30 minutes).
7 30	Pour le fonctionnement par glissière à pièces ou OPL, la valeur correspond au montant en minutes de temps de séchage. Configuré à l'usine pour 30 minutes. La touche COTTON/WHITES (coton/blanc) permet de faire varier la valeur dans la plage 1–99 minutes. <ul style="list-style-type: none"><li>• Appuyer une fois sur la touche PERM PRESS (pressage permanent) pour passer au code suivant.</li></ul>
<b>8 00 TYPE DE TARIFICATION DU SÉCHAGE</b>	
8 00	Programme fixe avec Top Off. Uniquement disponible pour l'utilisation avec dépôts de pièces ou lecteurs de carte. Voir la description détaillée dans Information générale pour l'utilisateur.
8 FC	Programme fixe. Voir la description détaillée dans Information générale pour l'utilisateur. Utiliser la touche COLORS/DELICATES (couleur/articles délicats) pour effectuer cette sélection. <ul style="list-style-type: none"><li>• Appuyer une fois sur la touche PERM PRESS (pressage permanent) pour passer au code suivant.</li></ul>
<b>9 00 OPTION DE COMPTAGE DU NOMBRE DE PROGRAMMES</b>	
9 00	Cette option peut être Pas sélectionnée ("OFF") ou Sélectionnée ("ON").
9 00	Pas sélectionnée ("OFF").
9 0C	Option sélectionnée et impossibilité de désélection. <ul style="list-style-type: none"><li>• Appuyer 3 fois consécutives sur la touche COLORS/DELICATES (couleur/articles délicats) pour sélectionner "ON" (active). Lorsque "ON" a été sélectionné, on ne peut désélectionner l'option.</li><li>• Appuyer une fois sur la touche PERM PRESS (pressage permanent) pour passer au code suivant.</li></ul>

# INSTRUCTIONS DE RÉGLAGE DU TABLEAU DE COMMANDE ÉLECTRONIQUE

Code	Explication	Code	Explication
1. 00	<b>OPTION DE COMPTAGE DE MONNAIE</b> Cette option est soit non sélectionnée ("OFF"), soit sélectionnée ("ON").	C. 20	<b>VALEUR DE LA PIÈCE 2</b>
1. 00	Non sélectionnée : "OFF".	C. 20	Représente la valeur de la pièce 2 en nombre de pièces de 0,05 : 20 = \$1.00 <ul style="list-style-type: none"> <li>En appuyant sur le bouton COTTON/WHITES (coton/blanc), sélectionner entre 1 et 199 pièces de 0,05 \$.</li> </ul>
1. 0C	Sélectionnée : "ON". <ul style="list-style-type: none"> <li>Appuyer sur le bouton COLORS/DELICATES (couleur/articles délicats) 3 fois de suite pour sélectionner "ON", puis 3 fois de suite pour désélectionner l'option (non sélectionnée : "OFF"). Le compteur se remet à zéro en passant de l'option "OFF" à l'option "ON."</li> </ul>	C. 05	Lorsqu'un lecteur de carte Gen 2 est utilisé, ce code représente la valeur de l'addition de temps en pièces de 0,25 \$. C. 05 = 0,25 \$. <ul style="list-style-type: none"> <li>Appuyer une fois sur la touche PERM PRESS (pressage permanent) pour passer au code suivant.</li> </ul>
1. C0	Sélectionnée : "ON" ; ne peut pas être désélectionnée. <ul style="list-style-type: none"> <li>Pour sélectionner "ON" et bloquer l'option sur cette valeur, sélectionner d'abord "ON," et en moins de 2 secondes, appuyer deux fois sur le bouton COLORS/DELICATES (couleur/articles délicats) et une fois sur le bouton COTTON/WHITES (coton/blanc), puis quitter le mode de paramétrage.</li> <li>Appuyer une fois sur la touche PERM PRESS (pressage permanent) pour passer au code suivant.</li> </ul>	d. CS	<b>OPTION GLISSIÈRE À PIÈCES</b> Cette option peut être SÉLECTIONNÉE ("ON") ou PAS SÉLECTIONNÉE ("OFF"). Appuyer 3 fois consécutives sur le bouton COLORS/DELICATES (couleur/articles délicats) pour sélectionner/désélectionner cette option.
2. 00	Cette option n'est pas disponible.	d. CS	Option sélectionnée ("ON") (le défaut pour les modèles 9050). Lorsqu'on sélectionne le mode de glissière à pièces, sélectionner une valeur "b." égale à la valeur du prix de la vente, en multiples de 0,05 \$. Régler le code de paramétrage 6 xx (prix pour programme régulier) pour le nombre de manoeuvres de la glissière. Si l'installateur sélectionne le paramétrage "CS" sur un modèle à pièces, la sècheuse n'enregistrera pas les pièces.
b. 30	<b>VALEUR DE LA PIÈCE 1</b>	d. 00	Pas sélectionnée ("OFF") (le défaut pour les modèles 9060). <ul style="list-style-type: none"> <li>Appuyer une fois sur la touche PERM PRESS (pressage permanent) pour passer au code suivant.</li> </ul>
b. 30	Avec une manoeuvre de la glissière d'insertion des pièces, ce paramètre présente le total de la vente, en multiples de 0,05 \$. Exemple : b. 30 représente 1,50 \$.		
b. 05	Représente la valeur de la pièce 1 en nombre de pièces de 0,05 \$ : 05 = 0,25 \$ (le défaut pour les modèles 9060). <ul style="list-style-type: none"> <li>En appuyant sur le bouton COTTON/WHITES (coton/blanc), sélectionner entre 1 et 199 pièces de 0,05 \$.</li> <li>Appuyer une fois sur la touche PERM PRESS (pressage permanent) pour passer au code suivant.</li> </ul>		

# INSTRUCTIONS DE RÉGLAGE DU TABLEAU DE COMMANDE ÉLECTRONIQUE

---

## Code Explication

### J. Cd **MODE DE PAIEMENT (OPTION DE PIÈCES/DÉBIT)**

J. Cd Modes pièces et carte de débit sélectionnés. Appuyer sur le bouton COLORS/DELICATES (couleur/articles délicats) 3 fois de suite pour changer cette sélection.

J. C\_ Mode pièces sélectionné, mode carte de débit désactivé. Appuyer sur le bouton COLORS/DELICATES (couleur/articles délicats) 3 fois de suite pour changer cette sélection.

J. \_d Paiement par carte de débit sélectionné, paiement par pièces désactivé (le défaut pour les modèles 9060). Cette sélection doit être utilisée pour une utilisation gratuite. Appuyer 3 fois consécutives sur la touche COLORS/DELICATES (couleur/articles délicats) pour changer cette sélection.

J. Ed L'option débit amélioré est automatiquement sélectionnée lorsqu'un lecteur de cartes de 2e génération est installé dans la sècheuse. L'option "Ed" ne peut pas être sélectionnée ou désactivée manuellement.

- Appuyer une fois sur la touche PERM PRESS (pressage permanent) pour passer au code suivant.

---

### n. CE **OPTION D'ANNULATION D'AVOIR**

Cette option peut être Sélectionnée ("ON") ou Pas sélectionnée ("OFF"). Lorsque cette option est sélectionnée, l'argent mémorisé en avoir pendant 30 minutes sans ajout supplémentaire ou activités de programme est effacé.

n. 00 Non sélectionnée : "OFF".

n. CE Sélectionnée : "ON".

- Appuyer une fois sur le bouton COLORS/DELICATES (couleur/articles délicats) pour changer cette sélection.
  - Appuyer une fois sur la touche PERM PRESS (pressage permanent) pour passer au code suivant.
- 

**Si le compteur de programmes (9 0C) est sélectionné, le calcul du total est le suivant :**

1 00	CENTAINES de programmes	1 <u>02</u> = 200
2 00	Programmes UNITAIRES	2 <u>25</u> = 25
		NOMBRE TOTAL = 225

Affichage seulement : l'effacement n'est pas possible.

- Appuyer une fois sur la touche PERM PRESS (pressage permanent) pour passer au code suivant.

---

**Si le compteur de monnaie (1.0C ou 1.C0) est sélectionné, le calcul du total est le suivant :**

3 00	CENTAINES de dollars	3 <u>01</u> = \$100.00
4 00	Dollars UNITAIRES	4 <u>68</u> = \$ 68.00
5 00	Nombre de CENTS	5 <u>75</u> = \$ 00.75
		TOTAL = \$168.75

FIN des OPÉRATIONS DE PARAMÉTRAGE

### QUITTER LE MODE DE PARAMÉTRAGE

1. Fermer la porte d'accès de service.
2. Déconnecter la source de courant électrique de la sècheuse avant de réinstaller le connecteur AA1, s'il a été retiré.
3. Enlever la carte de paramétrage manuel.



# INSTRUCTIONS DE RÉGLAGE DU TABLEAU DE COMMANDE ÉLECTRONIQUE

## Codes de diagnostic

Si un des événements suivants est survenu avant qu'on accède au mode de paramétrage, le code de diagnostic approprié sera visible sur l'afficheur

Affichage de la sécheuse	Explication
d 5	Blocage d'une pièce 1 ou défaillance du circuit de contrôle de l'introduction de pièces (système de reconnaissance de pièce et affichage du client désactivés jusqu'à l'élimination du blocage).
d 9	Détection d'une tension inférieure à 90 V CA pendant 8 secondes.
d 13	Blocage d'une pièce 2 ou défaillance du circuit de contrôle de l'introduction de pièces (système de reconnaissance de pièce et affichage du client désactivés jusqu'à l'élimination du blocage).
d 16	Aucune réception de communication du lecteur de carte de débit installé au mode de paiement amélioré Génération 2.
F 01	Sécheuse – Détection d'une erreur sur le circuit de commande du moteur (affichage programmes/prix désactivé jusqu'à l'élimination manuelle du code de diagnostic). La commande ne peut détecter si le relais du moteur est défectueux (bloqué), si le circuit d'entraînement du relais est défectueux (court-circuit), le relais du moteur reste donc actif, ou si le circuit de retour du relais du moteur est défectueux.
F 22	Thermistance de décharge (circuit ouvert) – La température descend au-dessous de 18°F (> 50 kΩ) pendant 1 minute au mode de fonctionnement ou immédiatement au mode de diagnostic de l'usine.

## Codes de diagnostic (suite)

Affichage de la sécheuse	Explication
F 23	Thermistance de décharge (court-circuit) – La température monte au-dessus de 250°F (< 500Ω) pendant 1 minute au mode de fonctionnement ou immédiatement au mode de diagnostic de l'usine.
F 70	L'interface-utilisateur ne reçoit pas d'information du module de commande central (MCC) (l'affichage de programmes et de prix est désactivé, alors que l'erreur persiste ou est supprimée manuellement).
F 71	Le mode de commande central (MCC) ne reçoit pas d'information de l'interface-utilisateur (IU) (l'affichage de programmes et de prix est désactivé, alors que l'erreur persiste ou est supprimée manuellement).
F 73	Le microprocesseur de l'interface-utilisateur ne peut pas lire ou vérifier la mémoire EEPROM (l'affichage de programmes et de prix est désactivé jusqu'à ce que le code de diagnostic soit supprimé manuellement).
F 74	La mémoire EEPROM de l'interface-utilisateur indique une erreur CRC (l'affichage de programmes et de prix est désactivé jusqu'à ce que le code de diagnostic soit supprimé manuellement).

# INSTRUCTIONS DE RÉGLAGE DU TABLEAU DE COMMANDE ÉLECTRONIQUE

## Sécheuse – mode de diagnostic

Pour accéder à ce mode, appuyer pendant une seconde sur la touche COLORS/DELICATES (couleur/articles délicats) alors que l'afficheur présente les codes de paramétrage 6 xx ou 7 xx ou lorsqu'un code de diagnostic est affiché. Les codes de diagnostic sont alors effacés et tous les segments de l'afficheur devraient clignoter. Si l'affichage d'un code de diagnostic persiste, on doit effectuer les opérations correctives nécessaires avant d'accéder le programme de diagnostic.

### Tous les modèles :

Alors que tous les segments de l'afficheur clignotent, pour lancer le programme de diagnostic, appuyer sur la touche PERM PRESS. Le programme comporte 7 minutes d'utilisation avec chaleur et 1 minute de refroidissement.

La touche COTTON/WHITES (coton/blanc) permet d'augmenter la durée (minutes) du programme de diagnostic jusqu'à 99; après 99, on repasse à 2 minutes. La touche COLORS/DELICATES (couleur/articles délicats) commande l'annulation de ce programme et fait quitter le mode de diagnostic.

## Sécheuse – mode aide

Pour accéder au mode Aide de la sécheuse, appuyer sur la touche COTTON/WHITES (coton/blanc) alors que l'option de prix spécial (mode 2.XX) est active. Au mode d'aide, le numéro de version du logiciel est affiché. Pour avancer dans le mode Aide, appuyer sur la touche PERM PRESS (pressage permanent). Voir Menu secondaire en mode Aide ci-dessous pour identifier l'ordre des différents affichages. Appuyer sur la touche COTTON/WHITES (coton/blanc) à n'importe quel moment pour quitter le mode d'aide.

### Codes d'aide

Codes d'aide	Description
71	Message d'interrogation de programme de carte de débit de génération 2 hors séquence.
74	Message de solde restant de carte de débit de génération 2 hors séquence.
75	Message de solde de carte nouveau de carte de débit de génération 2 hors séquence.
88	État de message non valide détecté dans la routine de communications de saisie de données comm_suprv ( ).

## Menu secondaire en mode Aide

Étape	Affichage de l'indication	Explication
1	1h.XX	Code Aide 1, où XX est le numéro de code d'aide.*
2	2h.XX	Code Aide 2, où XX est le numéro de code d'aide.*
3	3h.XX	Code Aide 3, où XX est le numéro de code d'aide.*
4	1.X##	Code d'historique d'erreur 1, où X est le code F ou d, et ## est le numéro de code.**
5	2.X##	Code d'historique d'erreur 2, où X est le code F ou d, et ## est le numéro de code.**
6	3.X##	Code d'historique d'erreur 3, où X est le code F ou d, et ## est le numéro de code.**
7	4.X##	Code d'historique d'erreur 4, où X est le code F ou d, et ## est le numéro de code.**
8	SC.XX	Actualisation du logiciel du MCC, où XX est le numéro d'actualisation du logiciel.
9	SU.XX	Actualisation du logiciel de l'interface-utilisateur, où XX est le numéro du logiciel.
10	EU.XX	Actualisation du EEPROM de l'interface-utilisateur, où XX est le numéro du EEPROM.

\* Pour effacer les 3 codes d'aide, appuyer sur la touche COLORS/DELICATES (couleur/articles délicats).

\*\* Les erreurs affichées dans cette section sont des erreurs d'historique qui se sont produites dans la sécheuse (et non l'indication d'une erreur en cours). L'erreur actuelle est affichée dans la FONCTION MANUELLE DE LA TOUCHE EN SOUS-MODE DE DIAGNOSTIQUE (MANUAL KEY FUNCTION IN DIAGNOSTIC SUB-MODE).

Au mode d'Aide, d'autres symboles et éléments de l'affichage reflètent la situation de divers signaux d'entrée et de sortie, comme suit :

### Toutes les sécheuses

\*..... basse tension présente (inférieure à 90 V CA)  
 °(cercle au-dessus d'un chiffre) ..... porte fermée  
 OR. .... détection du fonctionnement du moteur AIR. . . relais actif pour élément chauffant/électrovanne de gaz FLUFF. .... relais du moteur actif

# **GARANTIE DE LA BUANDERIE COMMERCIALE WHIRLPOOL®:**

## **CHW9050, CHW9060, CED9050, CED9060, CGD9050, CGD9060**

### **GARANTIE LIMITÉE DE 90 JOURS (PIÈCES ET MAIN-D'OEUVRE)**

Pendant 90 jours à compter de la date d'achat d'origine, lorsque cet appareil ménager à usage commercial est installé, entretenu et utilisé conformément aux instructions jointes à ou fournies avec le produit, Whirlpool Corporation (ci-après désignée "Whirlpool") paiera pour la main d'œuvre et les pièces de rechange spécifiées par l'usine pour corriger les vices de matériaux ou de fabrication qui existaient déjà lorsque cet appareil ménager à usage commercial a été acheté.

### **GARANTIE LIMITÉE DE DEUX ANS (PIÈCES UNIQUEMENT)**

Pendant les deux premières années à compter de la date d'achat, lorsque cet appareil ménager à usage commercial est installé, entretenu et utilisé conformément aux instructions jointes à ou fournies avec le produit, Whirlpool paiera pour les pièces de rechange spécifiées par l'usine pour corriger les vices de matériaux ou de fabrication qui existaient déjà lorsque cet appareil ménager à usage commercial a été acheté.

LE SEUL ET EXCLUSIF RECOURS DU CLIENT DANS LE CADRE DE LA PRÉSENTE GARANTIE LIMITÉE CONSISTE EN LA RÉPARATION PRÉVUE PAR LA PRÉSENTE. Whirlpool recommande que l'utilisateur emploie les services d'une agence "intra-réseau" pour diagnostiquer et réparer le produit de buanderie à usage commercial concerné. Whirlpool ne sera pas responsable de l'obtention de pièces de rechange supplémentaires dans le cadre de la présente garantie suite à un diagnostic erroné ou à une réparation erronée effectuée par un service de dépannage "hors réseau". Cette garantie limitée est valide uniquement aux États-Unis ou au Canada et s'applique exclusivement lorsque l'appareil ménager à usage commercial concerné est utilisé dans le pays où il a été acheté. La présente garantie limitée est valable à compter de la date d'achat initial par le consommateur. Une preuve de la date d'achat initial est exigée pour obtenir un dépannage dans le cadre de la présente garantie limitée.

### **ÉLÉMENTS EXCLUS DE LA GARANTIE**

**La présente garantie limitée ne couvre pas :**

1. Tous autres frais y compris frais de main d'œuvre, transport, frais d'expédition ou droits de douane pour les pièces couvertes.
2. Les pièces de rechange spécifiées par l'usine lorsque cet appareil ménager à usage commercial est utilisé à des fins autres qu'un usage commercial normal ou lorsque les instructions d'installation et/ou les instructions de l'opérateur ou de l'utilisateur fournies ne sont pas respectées.
3. Les visites de service pour rectifier l'installation de l'appareil ménager à usage commercial, montrer à l'utilisateur comment utiliser l'appareil ménager à usage commercial, remplacer ou réparer des fusibles ou rectifier le câblage ou la plomberie externe.
4. Les dommages imputables à : mauvaise manipulation du produit lors de la livraison, vol, accident, modification, usage impropre ou abusif, incendie, inondation, catastrophes naturelles, installation fautive ou non conforme aux codes locaux d'électricité ou de plomberie, ou l'utilisation de produits non approuvés par Whirlpool.
5. Le ramassage et la livraison. Cet appareil ménager à usage commercial est conçu pour être réparé sur site.
6. Les réparations des pièces ou systèmes résultant d'une modification non autorisée apportée à l'appareil ménager à usage commercial.
7. L'enlèvement et la réinstallation de l'appareil ménager à usage commercial si celui-ci est installé dans un endroit inaccessible ou n'est pas installé conformément aux instructions d'installation fournies.
8. Dommages entraînés par l'exposition du produit à des produits chimiques.
9. Des modifications apportées à l'immeuble, à la pièce ou aux lieux afin de permettre à l'appareil ménager à usage commercial de fonctionner correctement.
10. Les pièces de rechange spécifiées par l'usine pour les appareils ménagers à usage commercial dont les numéros de série et de modèle d'origine ont été supprimés, modifiés ou qui ne peuvent pas être facilement identifiés.
11. La décoloration ou l'oxydation des surfaces en acier inoxydable ou encore l'apparition de rouille sur ces surfaces.
12. Les pièces de rechange spécifiées par l'usine suite à un diagnostic erroné ou à une réparation erronée effectuée par un service de dépannage "hors réseau".

**Le coût d'une réparation ou d'un remplacement dans le cadre de ces circonstances exclues est à la charge du client.**

### **CLAUSE D'EXONÉRATION DE RESPONSABILITÉ AU TITRE DES GARANTIES IMPLICITES**

LES GARANTIES IMPLICITES, Y COMPRIS LES GARANTIES IMPLICITES APPLICABLES DE QUALITÉ MARCHANDE OU D'APTITUDE À UN USAGE PARTICULIER, SONT LIMITÉES À TROIS ANS OU À LA PLUS COURTE PÉRIODE AUTORISÉE PAR LA LOI. Certaines juridictions ne permettent pas les limitations de la durée des garanties implicites de qualité marchande ou d'aptitude à un usage particulier, de sorte que cette limitation peut ne pas s'appliquer dans votre cas. Cette garantie vous confère des droits juridiques spécifiques et vous pouvez également jouir d'autres droits qui peuvent varier d'une juridiction à une autre.

### **EXONÉRATION DE RESPONSABILITÉ DANS LES DOMAINES NON COUVERTS PAR LA GARANTIE**

Whirlpool décline toute responsabilité au titre de la qualité ou de la durabilité de l'appareil, ou en cas de dépannage ou de réparation nécessaire sur cet appareil ménager à usage commercial autre que les responsabilités énoncées dans la présente garantie. Si vous souhaitez une garantie plus étendue ou plus complète que la garantie limitée fournie avec cet appareil ménager à usage commercial, adressez-vous à Whirlpool ou à votre détaillant pour obtenir les modalités d'achat d'une garantie étendue.

### **LIMITATION DES RECOURS; EXCLUSION DES DOMMAGES FORTUITS OU INDIRECTS**

LE SEUL ET EXCLUSIF RECOURS DU CLIENT DANS LE CADRE DE LA PRÉSENTE GARANTIE LIMITÉE CONSISTE EN LA RÉPARATION PRÉVUE CI-DESSUS. WHIRLPOOL N'ASSUME AUCUNE RESPONSABILITÉ POUR LES DOMMAGES FORTUITS OU INDIRECTS. Certaines juridictions ne permettent pas l'exclusion ou la limitation des dommages fortuits ou indirects, de sorte que ces exclusions ou limitations peuvent ne pas s'appliquer dans votre cas. Cette garantie vous confère des droits juridiques spécifiques et vous pouvez également jouir d'autres droits qui peuvent varier d'une juridiction à une autre.

Si vous avez besoin de service, veuillez contacter votre distributeur de buanderie commerciale Whirlpool® autorisé. Pour localiser votre distributeur de buanderie commerciale Whirlpool® autorisé, composez le 1-800-662-3587, ou pour toute question par Internet, consultez [www.WhirlpoolCommercialLaundry.com](http://www.WhirlpoolCommercialLaundry.com).

Pour toute correspondance écrite :  
Whirlpool® Commercial Laundry Service Department  
2000 N M 63  
Benton Harbor, MI 49022-2632 USA

07/14

59

