



---

**W575H-W5300H Compass**

Washer extractor

Tvättmaskin

---

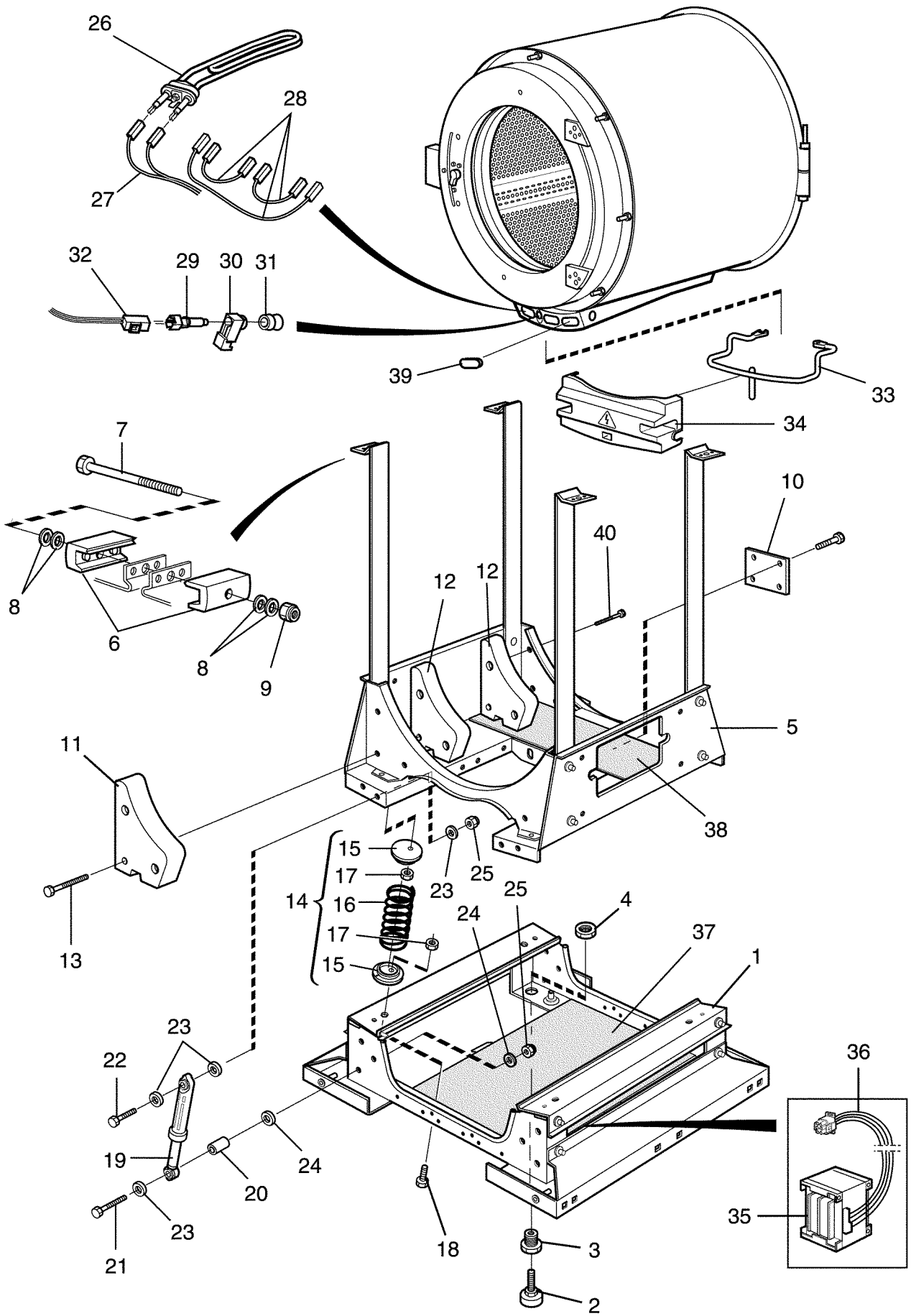
## List of issues

### **W575H Compass, W5105H Compass, W5130H Compass, W5180H Compass, W5240H Compass, W5300H C**

| Illustration | Page | Table of contents                               |
|--------------|------|---|
| 500199       | 105  | Electronic coin meter                           |
| 500201       | 107  | Coin meter                                      |
| 500231       | 55   | CPU   |
| 500280       | 25   | Lining and top panel                            |
| 500281       | 35   | Drum, rear gable                                |
| 500282       | 39   | Door and hinged joint                           |
| 500284       | 45   | Motor   |
| 500285       | 47   | Motor control unit                              |
| 500286       | 63   | Electric components connection                  |
| 500287       | 65   | Drain valve and hoses                           |
| 500288       | 69   | Water connections                               |
| 500289       | 71   | Inlet valves and cable set                      |
| 500290       | 73   | Inlet valves and cable set                      |
| 500291       | 75   | Inlet valves and cable set                      |
| 500292       | 77   | Inlet valves and cable set                      |
| 500293       | 83   | Drain valve                                     |
| 500294       | 85   | Drain valve, electrical                         |
| 500295       | 89   | Drain pump                                      |
| 500296       | 91   | Steam components                                |
| 500297       | 93   | Detergent container                             |
| 500298       | 7    | Base and outer drum                             |
| 500299       | 9    | Base and outer drum                             |
| 500300       | 11   | Base and outer drum                             |
| 500301       | 29   | Lining and top panel                            |
| 500302       | 79   | Inlet valves and cable set                      |
| 500303       | 81   | Inlet valves and cable set                      |
| 500304       | 95   | Out of balance switch                           |
| 500305       | 15   | Base and outer drum                             |
| 500306       | 19   | Base and outer drum                             |
| 500307       | 23   | Base and outer drum                             |
| 500315       | 97   | Emergency stop                                  |
| 500316       | 99   | Key switch                                      |
| 500323       | 59   | Program selector                                |
| 500361       | 49   | Power balance unit                              |
| 500371       | 51   | Control panel                                   |
| 500372       | 53   | Control panel                                   |
| 500446       | 109  | Coin meter (for coinbox height 90mm)            |
| 500452       | 101  | Coinbox housing (for coinbox height 70mm)       |
| 500453       | 103  | Coinbox housing (for coinbox height 90mm)       |
| 500470       | 113  | Liquid detergent USA                            |
| 500489       | 41   | Door lock                                       |
| 500544       | 111  | Electronic coin meter (for coinbox height 90mm) |
| 500565       | 67   | Drain with recirculation                        |
| 500577       | 87   | Drain valve, gas heating                        |
| 500582       | 57   | Cables  |

**W575H Compass,W5105H Compass,W5130H Compass,W5180H Compass,W5240H Compass,W5300H C**

| Table of contents                               | Innehållsförteckning                            | Page/Sida |
|---|---|-----------|
| Base and outer drum                             | Stativ och yttertrumma                          | 7         |
| Base and outer drum                             | Stativ och yttertrumma                          | 9         |
| Base and outer drum                             | Stativ och yttertrumma                          | 11        |
| Base and outer drum                             | Stativ och yttertrumma                          | 15        |
| Base and outer drum                             | Stativ och yttertrumma                          | 19        |
| Base and outer drum                             | Stativ och yttertrumma                          | 23        |
| *Lining and top panel                           | Klädselplåtar och topplock                      | 25        |
| Lining and top panel                            | Klädselplåtar och topplock                      | 29        |
| Drum, rear gable                                | Trumma,bakgavel                                 | 35        |
| Door and hinged joint                           | Lucka och gångled                               | 39        |
| Door lock                                       | Lucklås   | 41        |
| Motor   | Motor   | 45        |
| *Motor control unit                             | Motorstyrningsenhet                             | 47        |
| Power balance unit                              | Obalanskontroll enhet                           | 49        |
| *Control panel                                  | Manöverpanel                                    | 51        |
| *Control panel                                  | Manöverpanel                                    | 53        |
| *CPU  | CPU   | 55        |
| Cables  | Kablage   | 57        |
| Program selector                                | Programväljare                                  | 59        |
| Electric components connection                  | Eldetaljer anslutning                           | 63        |
| Drain valve and hoses                           | Avloppsventil och slangar                       | 65        |
| *Drain with recirculation                       | Avlopp med recirkulation                        | 67        |
| Water connections                               | Vattenanslutningar                              | 69        |
| Inlet valves and cable set                      | Inloppsventiler och ledningssatser              | 71        |
| Inlet valves and cable set                      | Inloppsventiler och ledningssatser              | 73        |
| Inlet valves and cable set                      | Inloppsventiler och ledningssatser              | 75        |
| Inlet valves and cable set                      | Inloppsventiler och ledningssatser              | 77        |
| Inlet valves and cable set                      | Inloppsventiler och ledningssatser              | 79        |
| Inlet valves and cable set                      | Inloppsventiler och ledningssatser              | 81        |
| Drain valve                                     | Avloppsventil                                   | 83        |
| *Drain valve, electrical                        | Avloppsventil, elektrisk                        | 85        |
| Drain valve, gas heating                        | Avloppsventil, gasuppvärmning                   | 87        |
| *Drain pump                                     | Avloppspump                                     | 89        |
| Steam components                                | Ångdetaljer                                     | 91        |
| Detergent container                             | Tvättmedelsbehållare                            | 93        |
| Out of balance switch                           | Obalansbrytare                                  | 95        |
| Emergency stop                                  | Nödstop   | 97        |
| Key switch                                      | Nyckelbrytare                                   | 99        |
| Coinbox housing (for coinbox height 70mm)       | Mynthus (för myntlåda höjd 70mm)                | 101       |
| Coinbox housing (for coinbox height 90mm)       | Mynthus (för myntlåda höjd 90mm)                | 103       |
| Electronic coin meter                           | Elektronisk myntmätare                          | 105       |
| Coin meter                                      | Myntmätare                                      | 107       |
| Coin meter (for coinbox height 90mm)            | Myntmätare (för myntlåda höjd 90mm)             | 109       |
| Electronic coin meter (for coinbox height 90mm) | Elektronisk myntmätare (för myntlåda höjd 90mm) | 111       |
| *Liquid detergent USA                           | Flytande tvättmedel USA                         | 113       |

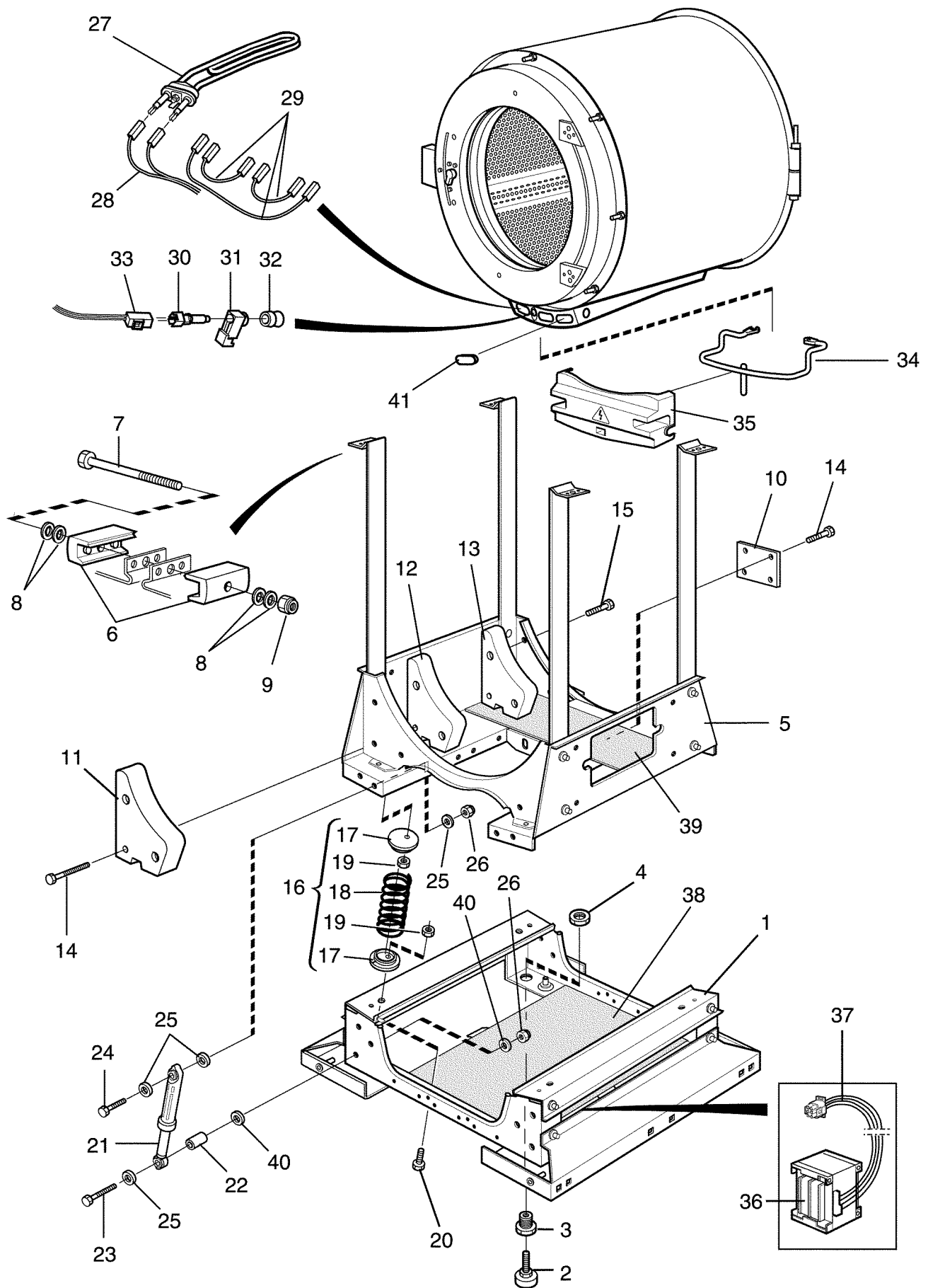


**W575H Compass****Base and outer drum**

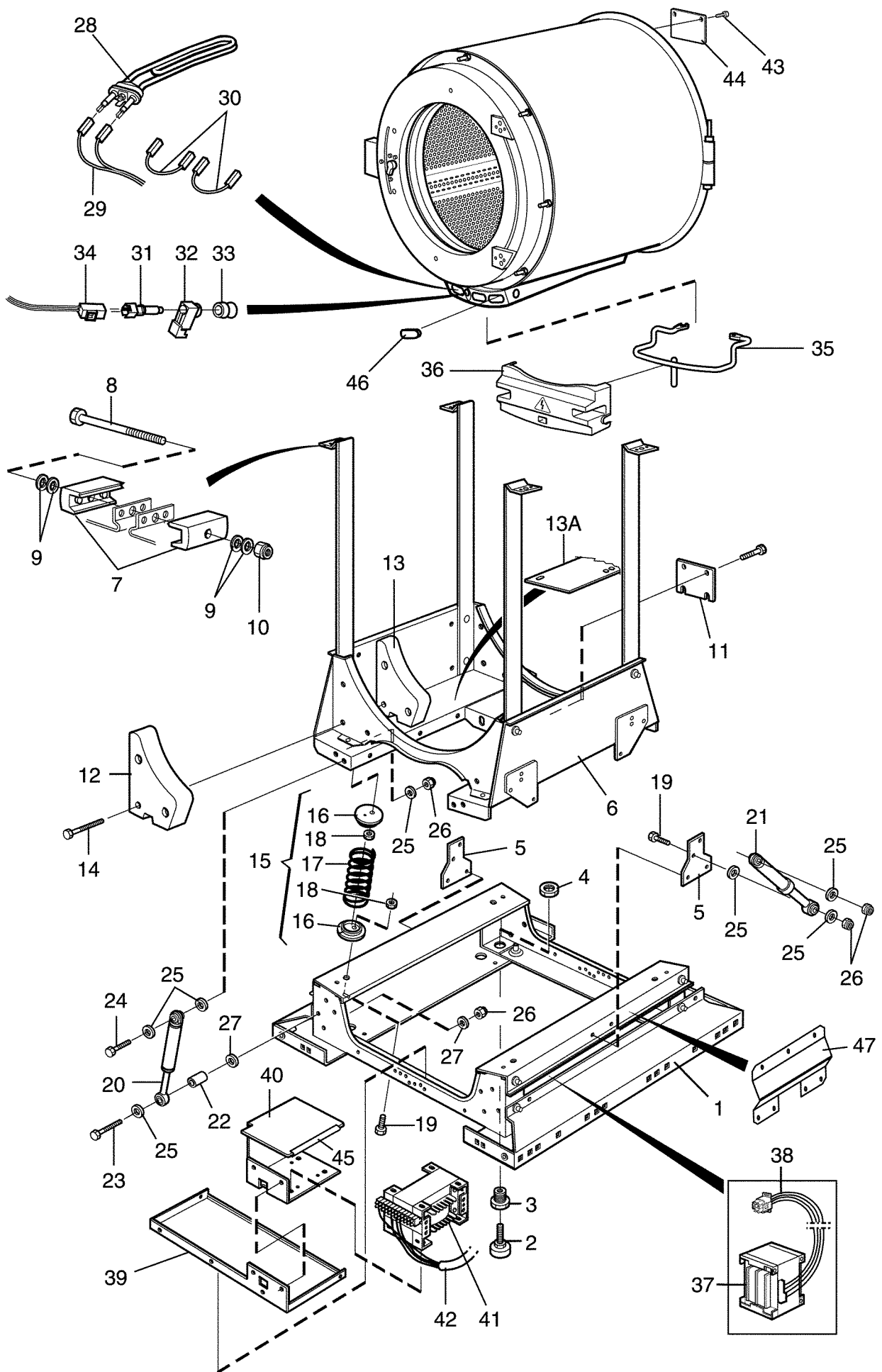
|               |          |          |             |
|---------------|----------|----------|-------------|
| Illustration  | Issue    | Month    | Year        |
| Illustration  | Utgåva   | Månad    | År          |
| <b>500298</b> | <b>1</b> | <b>4</b> | <b>2013</b> |

**Stativ och yttertrumma**

| Item Pos. | Qua. Ant. | Art.No Art.nr | Description      | Benämning     | Info Info | Notes Anmärkning    |
|-----------|-----------|---------------|------------------|---------------|-----------|---------------------|
| 1         | 1         | 432 1211-02   | Frame            | Stativ        |           | Lower               |
| 2         | 4         | 438 8160-01   | •Foot            | •Fot          |           |                     |
| 3         | 4         | 432 1458-01   | •Bushing         | •Bussning     |           | M10                 |
| 4         | 4         | 471 8413-01   | •Nut             | •Mutter       |           | M20                 |
| 5         | 1         | 432 1212-03   | Frame            | Stativ        |           | Upper               |
| 6         | 4         | 432 1453-01   | •Tensioner       | •Spänne       |           |                     |
| 7         | 2         | 725 2465-71   | •Screw           | •Skruv        |           | M8X70               |
| 8         | 8         | 471 7807-02   | •Tension plate   | •Spännbricka  |           | 18x8,4x2            |
| 9         | 2         | 732 2118-01   | •Locking nut     | •Låsmutter    |           | M8                  |
| 10        | 1         | 432 1459-02   | •Bracket         | •Vridskydd    |           |                     |
| 11        | 2         | 432 1206-01   | •Counterweight   | •Motvikt      |           |                     |
| 12        | Rq        | 432 1257-01   | •Counterweight   | •Motvikt      |           |                     |
| 13        | 6         | 471 8328-07   | •Screw           | •Skruv        |           | M8X65               |
| 14        | 1         | 472 9913-03   | Suspension       | Fjäderenhät   |           | Kit compl.          |
| 15        | 8         |               | •Spring retainer | •Fjäderfäste  |           |                     |
| 16        | 4         |               | •Spring          | •Fjäder       |           |                     |
| 17        | 8         |               | •Nut             | •Mutter       |           |                     |
| 18        | 8         | 471 8328-06   | Screw            | Skruv         |           |                     |
| 19        | 1         | 472 9913-08   | Shock absorber   | Stötdämpare   |           | Complete kit, 4 pcs |
| 20        | 4         | 471 8555-03   | Bushing          | Bussning      |           |                     |
| 21        | 4         | 725 2464-51   | Screw            | Skruv         |           | M8X65               |
| 22        | 4         | 725 2461-51   | Screw            | Skruv         |           | M8X50               |
| 23        | 12        | 471 8502-34   | Washer           | Bricka        |           | 8,4x24x2            |
| 24        | 12        | 471 8502-34   | Washer           | Bricka        |           | 8,4x24x2            |
| 25        | 8         | 732 2118-01   | Locking nut      | Låsmutter     |           | M8                  |
| 26        | 3         | 471 9837-01   | Heating element  | Element       |           | 2,5kW 240V          |
|           | 3         | 471 9837-04   | Heating element  | Element       |           | 1kW 240V            |
|           | 3         | 471 9837-05   | Heating element  | Element       |           | 1,8kW 240V          |
|           | 3         | 471 9837-06   | Heating element  | Element       |           | 0,665kW 240V        |
|           | 3         | 471 9837-07   | Heating element  | Element       |           | 2,5kW 254V          |
|           | 3         | 471 9837-08   | Heating element  | Element       |           | 2,5kW 277V          |
|           | 3         | 471 9839-01   | Heating element  | Element       |           | 2,5kW 240V Mop      |
| 27        | 1         | 432 2950-02   | Cable set        | Ledningssats  |           |                     |
| 28        | 1         | 432 2953-10   | Cable set        | Ledningssats  |           | Kit                 |
| 29        | 1         | 472 9904-98   | Sensor           | Givare        |           | Complete            |
| 30        | 1         |               | •Discharge       | •Avlastning   |           |                     |
| 31        | 1         |               | •Bushing         | •Bussning     |           |                     |
| 32        | 1         | 413 3272-06   | Cable set        | Ledningssats  |           |                     |
| 33        | 1         | 432 1653-01   | Clamp            | Bygel         |           |                     |
| 34        | 1         | 432 1654-01   | Cover            | Skydd         |           |                     |
| 35        | 1         | 438 9569-01   | Transformer      | Transformator |           | 200V                |
|           | 1         | 438 9565-01   | Transformer      | Transformator |           | 100-120V            |
|           | 1         | 438 9566-01   | Transformer      | Transformator |           | 400-480V            |
| 36        | 1         | 432 2985-01   | Cable set        | Ledningssats  |           | 200V                |
|           | 1         | 432 2998-01   | Cable set        | Ledningssats  |           | 100-120V, 400-480V  |
| 37        | 1         | 438 7509-01   | Insulation       | Isolering     |           |                     |
| 38        | Rq        |               |                  |               |           | Not used            |
| 39        | Rq        | 471 9821-99   | Plug             | Propp         |           |                     |
| 40        | 6         | 471 8328-05   | Screw            | Skruv         |           | M8X20               |

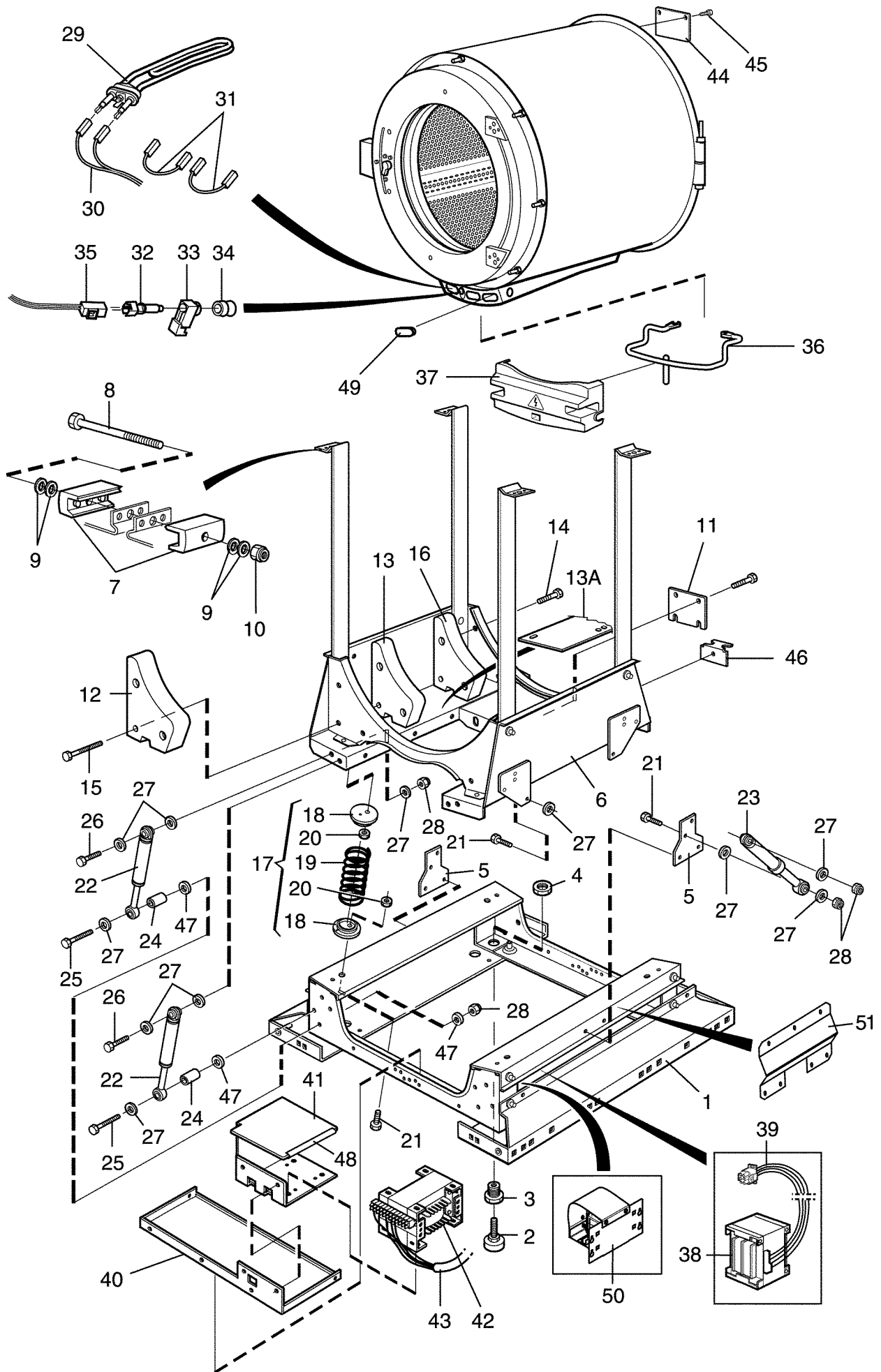


| <b>W5105H Compass</b>         |              |                  |                  |               | Illustration  | Issue               | Month    | Year        |
|-------------------------------|--------------|------------------|------------------|---------------|---------------|---------------------|----------|-------------|
| <b>Base and outer drum</b>    |              |                  |                  |               | Illustration  | Utgåva              | Månad    | År          |
| <b>Stativ och yttertrumma</b> |              |                  |                  |               | <b>500299</b> | <b>1</b>            | <b>4</b> | <b>2013</b> |
| Item<br>Pos.                  | Qua.<br>Ant. | Art.No<br>Art.nr | Description      | Benämning     | Info<br>Info  | Notes<br>Anmärkning |          |             |
| 1                             | 1            | 432 1261-01      | Frame            | Stativ        |               | Lower               |          |             |
| 2                             | 4            | 438 8160-01      | •Foot            | •Fot          |               |                     |          |             |
| 3                             | 4            | 432 1458-01      | •Bushing         | •Bussning     |               | M10                 |          |             |
| 4                             | 4            | 471 8413-01      | •Nut             | •Mutter       |               | M20                 |          |             |
| 5                             | 1            | 432 1262-02      | Frame            | Stativ        |               | Upper               |          |             |
| 6                             | 4            | 432 1453-01      | •Tensioner       | •Spänne       |               |                     |          |             |
| 7                             | 2            | 725 2465-71      | •Screw           | •Skruv        |               | M8X70               |          |             |
| 8                             | 8            | 471 7807-02      | •Tension plate   | •Spännbricka  |               | 18x8,4x2            |          |             |
| 9                             | 2            | 732 2118-01      | •Locking nut     | •Låsmutter    |               | M8                  |          |             |
| 10                            | 1            | 432 1459-01      | •Bracket         | •Vridskydd    |               |                     |          |             |
| 11                            | 2            | 432 1256-01      | •Counterweight   | •Motvikt      |               |                     |          |             |
| 12                            | 2            | 432 1264-01      | •Counterweight   | •Motvikt      |               |                     |          |             |
| 13                            | 2            | 432 1265-01      | •Counterweight   | •Motvikt      |               |                     |          |             |
| 14                            | 6            | 471 8328-07      | •Screw           | •Skruv        |               | M8X65               |          |             |
| 15                            | 10           | 471 8328-05      | •Screw           | •Skruv        |               | M8X20               |          |             |
| 16                            | 1            | 472 9913-04      | Suspension       | Fjäderenhet   |               | Kit compl.          |          |             |
| 17                            | 8            |                  | •Spring retainer | •Fjäderfäste  |               |                     |          |             |
| 18                            | 4            |                  | •Spring          | •Fjäder       |               |                     |          |             |
| 19                            | 8            |                  | •Nut             | •Mutter       |               |                     |          |             |
| 20                            | 8            | 471 8328-06      | Screw            | Skruv         |               |                     |          |             |
| 21                            | 1            | 472 9913-08      | Shock absorber   | Stötdämpare   |               | Complete kit, 4 pcs |          |             |
| 22                            | 4            | 471 8555-03      | Bushing          | Bussning      |               |                     |          |             |
| 23                            | 4            | 725 2464-51      | Screw            | Skruv         |               | M8X65               |          |             |
| 24                            | 4            | 725 2461-51      | Screw            | Skruv         |               | M8X50               |          |             |
| 25                            | 12           | 471 8502-34      | Washer           | Bricka        |               | 8,4x24x2            |          |             |
| 26                            | 8            | 732 2118-01      | Locking nut      | Låsmutter     |               | M8                  |          |             |
| 27                            | 3            | 471 9837-11      | Heating element  | Element       |               | 3,33kW 240V         |          |             |
|                               | 3            | 471 9837-12      | Heating element  | Element       |               | 2,5kW 240V          |          |             |
|                               | 3            | 471 9837-13      | Heating element  | Element       |               | 3,33kW 254V         |          |             |
|                               | 3            | 471 9837-15      | Heating element  | Element       |               | 3.3kW 277V          |          |             |
|                               | 3            | 471 9837-14      | Heating element  | Element       |               | 1kW 240V            |          |             |
|                               | 3            | 471 9839-11      | Heating element  | Element       |               | 3.33kW 240V Mop     |          |             |
| 28                            | 1            | 432 2950-02      | Cable set        | Ledningssats  |               |                     |          |             |
| 29                            | 1            | 432 2953-10      | Cable set        | Ledningssats  |               | Kit                 |          |             |
| 30                            | 1            | 472 9904-98      | Sensor           | Givare        |               | Complete            |          |             |
| 31                            | 1            |                  | •Discharge       | •Avlastning   |               |                     |          |             |
| 32                            | 1            |                  | •Bushing         | •Bussning     |               |                     |          |             |
| 33                            | 1            | 413 3272-09      | Cable set        | Ledningssats  |               |                     |          |             |
| 34                            | 1            | 432 1653-01      | Clamp            | Bygel         |               |                     |          |             |
| 35                            | 1            | 432 1654-01      | Cover            | Skydd         |               |                     |          |             |
| 36                            | 1            | 438 9565-01      | Transformer      | Transformator |               | 100-120V            |          |             |
|                               | 1            | 438 9569-01      | Transformer      | Transformator |               | 200V                |          |             |
|                               | 1            | 438 9566-01      | Transformer      | Transformator |               | 400-480V            |          |             |
| 37                            | 1            | 432 2985-01      | Cable set        | Ledningssats  |               | 200V                |          |             |
|                               | 1            | 432 2998-01      | Cable set        | Ledningssats  |               | 100-120V, 400-480V  |          |             |
| 38                            | 1            | 438 7509-02      | Insulation       | Isolering     |               |                     |          |             |
| 39                            | 1            | 438 7510-01      | Insulation       | Isolering     |               |                     |          |             |
| 40                            | 8            | 471 8502-34      | Washer           | Bricka        |               | 8,4x24x2            |          |             |
| 41                            | 3            | 471 9821-99      | Plug             | Propp         |               |                     |          |             |

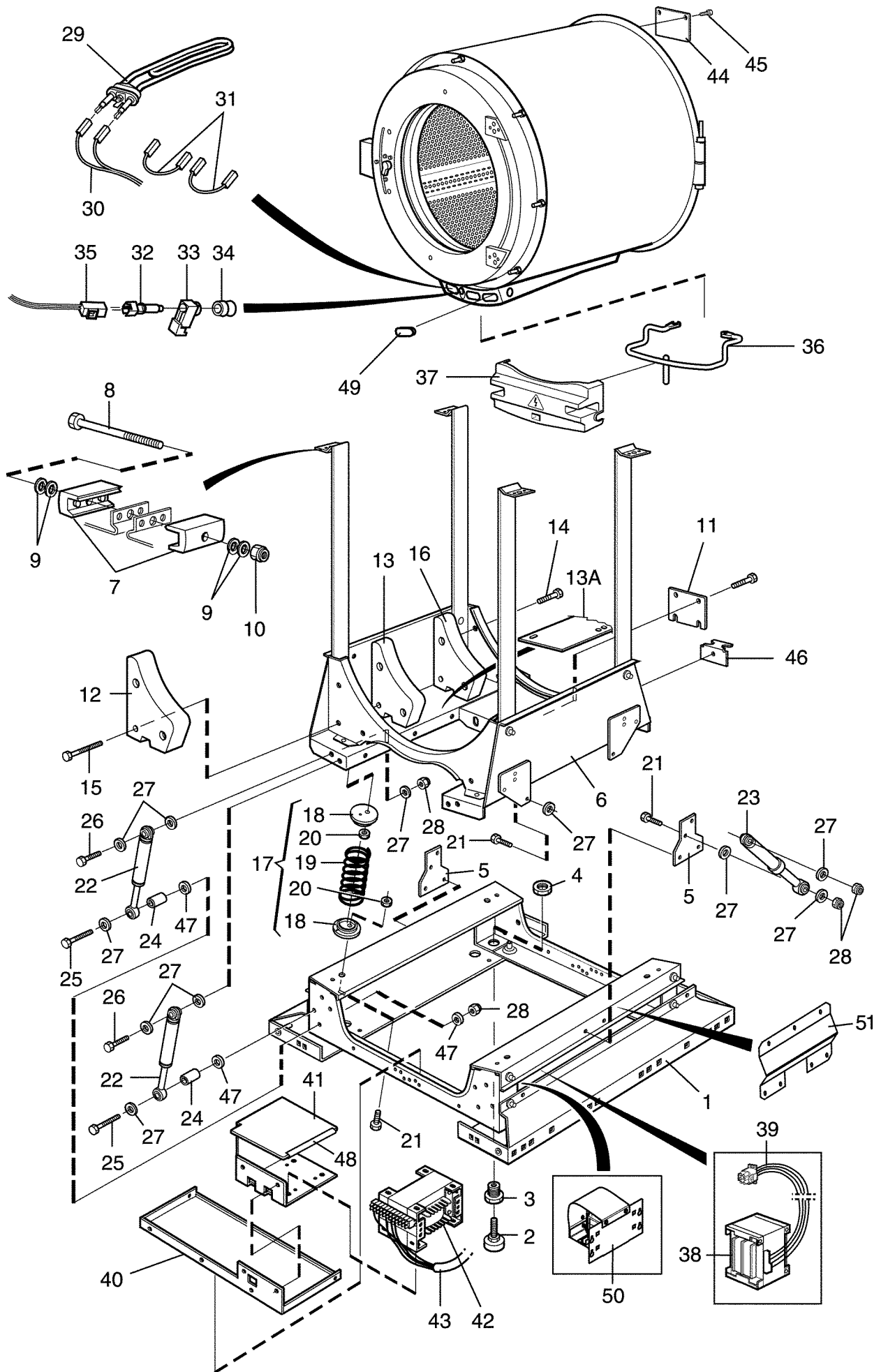




| W5130H Compass         |           |               |                   |                 | Illustration | Issue               | Month | Year |
|------------------------|-----------|---------------|-------------------|-----------------|--------------|---------------------|-------|------|
| Base and outer drum    |           |               |                   |                 | Illustration | Utgåva              | Månad | År   |
| Stativ och yttertrumma |           |               |                   |                 | 500300       | 1                   | 4     | 2013 |
| Item Pos.              | Qua. Ant. | Art.No Art.nr | Description       | Benämning       | Info Info    | Notes Anmärkning    |       |      |
| 1                      | 1         | 432 1311-01   | Frame             | Stativ          |              | Lower               |       |      |
| 2                      | 4         | 438 8156-01   | •Foot             | •Fot            |              | M10                 |       |      |
| 3                      | 4         | 432 1458-01   | •Bushing          | •Bussning       |              | M10                 |       |      |
| 4                      | 4         | 471 8413-01   | •Nut              | •Mutter         |              | M20                 |       |      |
| 5                      | 2         | 432 1470-01   | •Bracket          | •Fäste          |              | Middle              |       |      |
| 6                      | 1         | 432 1312-02   | Frame             | Stativ          |              | Upper               |       |      |
| 7                      | 4         | 432 1453-01   | •Tensioner        | •Spänne         |              |                     |       |      |
| 8                      | 2         | 725 2465-71   | •Screw            | •Skruv          |              | M8X70               |       |      |
| 9                      | 8         | 471 7807-02   | •Tension plate    | •Spännbricka    |              | 18x8,4x2            |       |      |
| 10                     | 2         | 732 2118-01   | •Locking nut      | •Låsmutter      |              | M8                  |       |      |
| 11                     | 1         | 432 1650-01   | •Bracket          | •Fäste          |              |                     |       |      |
| 12                     | 2         | 432 1306-01   | •Counterweight    | •Motvikt        |              |                     |       |      |
| 13                     | 2         | 432 1307-01   | •Counterweight    | •Motvikt        |              |                     |       |      |
| 13A                    | 1         | 413 5068-01   | •Counterweight    | •Motvikt        |              |                     |       |      |
| 14                     | 6         | 471 8328-08   | •Screw            | •Skruv          |              | M10X80              |       |      |
| 15                     | 1         | 472 9913-05   | Suspension        | Fjäderenhet     |              | Kit compl.          |       |      |
| 16                     | 8         |               | •Spring retainer  | •Hållare fjäder |              |                     |       |      |
| 17                     | 4         |               | •Spring           | •Fjäder         |              |                     |       |      |
| 18                     | 8         |               | •Nut              | •Mutter         |              |                     |       |      |
| 19                     | 12        | 471 8328-05   | Screw             | Skruv           |              | M8X20               |       |      |
| 20                     | 1         | 472 9913-09   | Shock absorber    | Stötdämpare     |              | Complete kit, 4 pcs |       |      |
| 21                     | 1         | 472 9913-11   | Shock absorber    | Stötdämpare     |              | Complete kit, 2 pcs |       |      |
| 22                     | 8         | 471 8555-03   | Bushing           | Bussning        |              |                     |       |      |
| 23                     | 8         | 725 2464-51   | Screw             | Skruv           |              | M8X65               |       |      |
| 24                     | 16        | 725 2461-51   | Screw             | Skruv           |              | M8X50               |       |      |
| 25                     | 18        | 471 8502-34   | Washer            | Bricka          |              | 8,4x24x2            |       |      |
| 26                     | 12        | 732 2118-01   | Locking nut       | Låsmutter       |              | M8                  |       |      |
| 27                     | 8         | 471 8502-34   | Washer            | Bricka          |              | 8,4x24x2            |       |      |
| 28                     | 3         | 471 9825-01   | Heating element   | Element         |              | 4.33kW 240V         |       |      |
|                        | 3         | 471 9825-02   | Heating element   | Element         |              | 4.33kW 254V         |       |      |
|                        | 3         | 471 9825-03   | Heating element   | Element         |              | 1.6kW 240V          |       |      |
|                        | 3         | 471 9825-04   | Heating element   | Element         |              | 4.33kW 277V         |       |      |
|                        | 3         | 471 9829-01   | Heating element   | Element         |              | 4.33kW 240V MOP     |       |      |
|                        | 3         | 471 9829-02   | Heating element   | Element         |              | 4.33kW 254V MOP     |       |      |
|                        | 3         | 471 9829-04   | Heating element   | Element         |              | 4.33kW 277V MOP     |       |      |
| 29                     | 1         | 413 2965-12   | Cable set         | Ledningssats    |              | 400V                |       |      |
|                        | 1         | 413 2965-13   | Cable set         | Kabelsats       |              | 230V                |       |      |
|                        | 1         | 413 2965-24   | Cable set         | Ledningssats    |              | EL/DS               |       |      |
| 30                     | 1         | 413 2965-11   | Cable set         | Ledningssats    |              | 400-480V            |       |      |
| 31                     | 1         | 472 9904-98   | Sensor            | Givare          |              | Complete            |       |      |
| 32                     | 1         |               | •Discharge        | •Avlastning     |              |                     |       |      |
| 33                     | 1         |               | •Bushing          | •Bussning       |              |                     |       |      |
| 34                     | 1         | 413 3272-17   | Cable set         | Ledningssats    |              |                     |       |      |
| 35                     | 1         | 432 1653-01   | Clamp             | Bygel           |              |                     |       |      |
| 36                     | 1         | 432 1654-01   | Cover             | Skydd           |              |                     |       |      |
| 37                     | 1         | 438 9569-01   | Transformer       | Transformator   |              | 200V                |       |      |
| 38                     | 1         | 432 2985-01   | Cable set         | Ledningssats    |              | 200V                |       |      |
| 39                     | 1         | 432 1418-01   | Beam              | Balk            |              |                     |       |      |
| 40                     | 1         | 432 1295-01   | Bracket           | Konsol          |              | Trafo 200V          |       |      |
|                        | 1         | 432 1419-01   | Bracket           | Konsol          |              |                     |       |      |
| 41                     | 1         | 438 9572-01   | Transformer       | Transformator   |              | 100-120V            |       |      |
|                        | 1         | 438 9562-01   | Transformer       | Transformator   |              | 380-480V            |       |      |
| 42                     | 1         | 432 2977-01   | Cable set         | Ledningssats    |              | 100-120V 380-480V   |       |      |
| 43                     | 8         | 471 8328-05   | Screw             | Skruv           |              | M8X20               |       |      |
| 44                     | 1         | 432 1649-01   | Plate             | Platta          |              |                     |       |      |
| 45                     | 1         | 471 8180-10   | Strip             | List            |              |                     |       |      |
| 46                     | 3         | 471 9822-99   | Plug              | Propp           |              |                     |       |      |
| 47                     | 2         | 432 1438-01   | Transport support | Transportstöd   |              |                     |       |      |



| <b>W5180H Compass</b>         |              |                  |                  | Illustration  | Issue        | Month               | Year        |
|-------------------------------|--------------|------------------|------------------|---------------|--------------|---------------------|-------------|
| <b>Base and outer drum</b>    |              |                  |                  | Illustration  | Utgåva       | Månad               | År          |
| <b>Stativ och yttertrumma</b> |              |                  |                  | <b>500305</b> | <b>1</b>     | <b>4</b>            | <b>2013</b> |
| Item<br>Pos.                  | Qua.<br>Ant. | Art.No<br>Art.nr | Description      | Benämning     | Info<br>Info | Notes<br>Anmärkning |             |
| 1                             | 1            | 432 1361-01      | Frame            | Stativ        |              | Lower               |             |
| 2                             | 4            | 438 8156-01      | •Foot            | •Fot          |              | M10                 |             |
| 3                             | 4            | 432 1458-01      | •Bushing         | •Bussning     |              | M10                 |             |
| 4                             | 4            | 471 8413-01      | •Nut             | •Mutter       |              | M20                 |             |
| 5                             | 2            | 432 1470-01      | •Bracket         | •Fäste        |              | Middle              |             |
| 6                             | 1            | 432 1362-01      | Frame            | Stativ        |              | Upper               |             |
| 7                             | 4            | 432 1453-01      | •Tensioner       | •Spänne       |              |                     |             |
| 8                             | 2            | 725 2465-71      | •Screw           | •Skruv        |              | M8X70               |             |
| 9                             | 8            | 471 7807-02      | •Tension plate   | •Spännbricka  |              | 18x8,4x2            |             |
| 10                            | 2            | 732 2118-01      | •Locking nut     | •Låsmutter    |              | M8                  |             |
| 11                            | 1            | 432 1651-01      | •Bracket         | •Vridskydd    |              |                     |             |
| 12                            | 2            | 432 1356-01      | •Counterweight   | •Motvikt      |              |                     |             |
| 13                            | 2            | 432 1357-01      | •Counterweight   | •Motvikt      |              |                     |             |
| 14                            | 6            | 471 8328-09      | •Screw           | •Skruv        |              | M10X20              |             |
| 15                            | 6            | 471 8328-11      | •Screw           | •Skruv        |              |                     |             |
| 16                            | 2            | 432 1360-01      | •Counterweight   | •Motvikt      |              |                     |             |
| 16A                           | 1            | 413 5068-01      | •Counterweight   | •Motvikt      |              |                     |             |
| 17                            | 1            | 472 9913-06      | Suspension       | Fjäderenhet   |              | Kit compl.          |             |
| 18                            | 8            |                  | •Spring retainer | •Fjäderfäste  |              |                     |             |
| 19                            | 4            |                  | •Spring          | •Fjäder       |              |                     |             |
| 20                            | 8            |                  | •Nut             | •Mutter       |              |                     |             |
| 21                            | 8            | 471 8328-05      | Screw            | Skruv         |              | M8X20               |             |
| 22                            | 1            | 472 9913-10      | Shock absorber   | Stötdämpare   |              | Complete kit 8, pcs |             |
| 23                            | 1            | 472 9913-11      | Shock absorber   | Stötdämpare   |              | Complete kit, 2 pcs |             |
| 24                            | 8            | 471 8555-03      | Bushing          | Bussning      |              |                     |             |
| 25                            | 8            | 725 2464-51      | Screw            | Skruv         |              | M8X65               |             |
| 26                            | 12           | 725 2461-51      | Screw            | Skruv         |              | M8X50               |             |
| 27                            | 32           | 471 8502-34      | Washer           | Bricka        |              | 8,4x24x2            |             |
| 28                            | 20           | 732 2118-01      | Locking nut      | Låsmutter     |              | M8                  |             |
| 29                            | 3            | 471 9825-11      | Heating element  | Element       |              | 6kW 240V            |             |
|                               | 3            | 471 9825-12      | Heating element  | Element       |              | 6kW 254V            |             |
|                               | 3            | 471 9825-13      | Heating element  | Element       |              | 6kW 277V            |             |
|                               | 3            | 471 9829-11      | Heating element  | Element       |              | 6kW 240V MOP        |             |
|                               | 3            | 471 9829-12      | Heating element  | Element       |              | 6kW 254V MOP        |             |
|                               | 3            | 471 9829-13      | Heating element  | Element       |              | 6kW 277V MOP        |             |
| 30                            | 1            | 413 2965-22      | Cable set        | Ledningssats  |              | 400V                |             |
|                               | 1            | 413 2965-23      | Cable set        | Ledningssats  |              | 230V 1AC/230V 3AC   |             |
|                               | 1            | 413 2965-24      | Cable set        | Ledningssats  |              | EL/DS               |             |
|                               | 1            | 413 2965-25      | Cable set        | Ledningssats  |              | 1AC 240V/3AC 415V   |             |
| 31                            | 2            | 413 2965-01      | Cable set        | Ledningssats  |              | 400V                |             |
| 32                            | 1            | 472 9904-98      | Sensor           | Givare        |              | Complete            |             |
| 33                            | 1            |                  | •Discharge       | •Avlastning   |              |                     |             |
| 34                            | 1            |                  | •Bushing         | •Bussning     |              |                     |             |
| 35                            | 1            | 413 3272-22      | Cable set        | Ledningssats  |              |                     |             |
| 36                            | 1            | 432 1653-01      | Clamp            | Bygel         |              |                     |             |
| 37                            | 1            | 432 1654-01      | Cover            | Skydd         |              |                     |             |
| 38                            | 1            | 438 9569-01      | Transformer      | Transformator |              | 200V                |             |
| 39                            | 1            | 432 2985-01      | Cable set        | Ledningssats  |              | 200V                |             |
| 40                            | 1            | 432 1420-01      | Beam             | Balk          |              |                     |             |
| 41                            | 1            | 432 1421-01      | Bracket          | Konsol        |              |                     |             |
|                               | 1            | 432 1295-01      | Bracket          | Konsol        |              | Trafo 200V          |             |
| 42                            | 1            | 438 9573-01      | Transformer      | Transformator |              | 100-120V            |             |
|                               | 1            | 438 9563-01      | Transformer      | Transformator |              | 380-480V            |             |
| 43                            | 1            | 432 2977-01      | Cable set        | Ledningssats  |              | 100-120V 380-480V   |             |
| 44                            | 1            | 432 1649-01      | Plate            | Platta        |              |                     |             |
| 45                            | 8            | 471 8328-05      | Screw            | Skruv         |              | M8X20               |             |
| 46                            | 2            | 432 1336-01      | Guide            | Styrning      |              |                     |             |
| 47                            | 16           | 471 8502-34      | Washer           | Bricka        |              | 8,4x24x2            |             |
| 48                            | 1            | 471 8180-10      | Strip            | List          |              |                     |             |



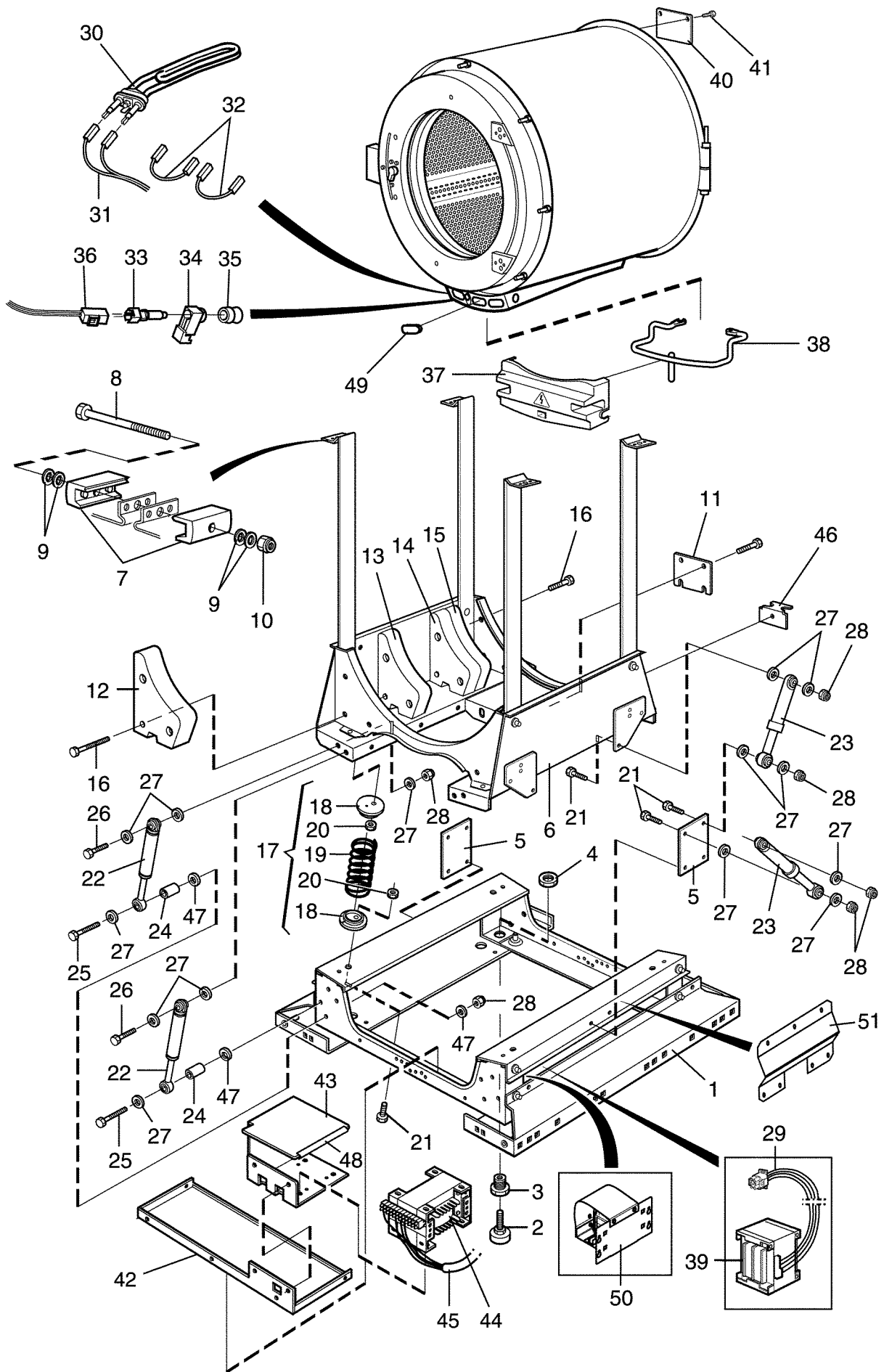
**W5180H Compass**

**Base and outer drum**

**Stativ och yttertrumma**

|               |          |          |             |
|---------------|----------|----------|-------------|
| Illustration  | Issue    | Month    | Year        |
| Illustration  | Utgåva   | Månad    | År          |
| <b>500305</b> | <b>1</b> | <b>4</b> | <b>2013</b> |

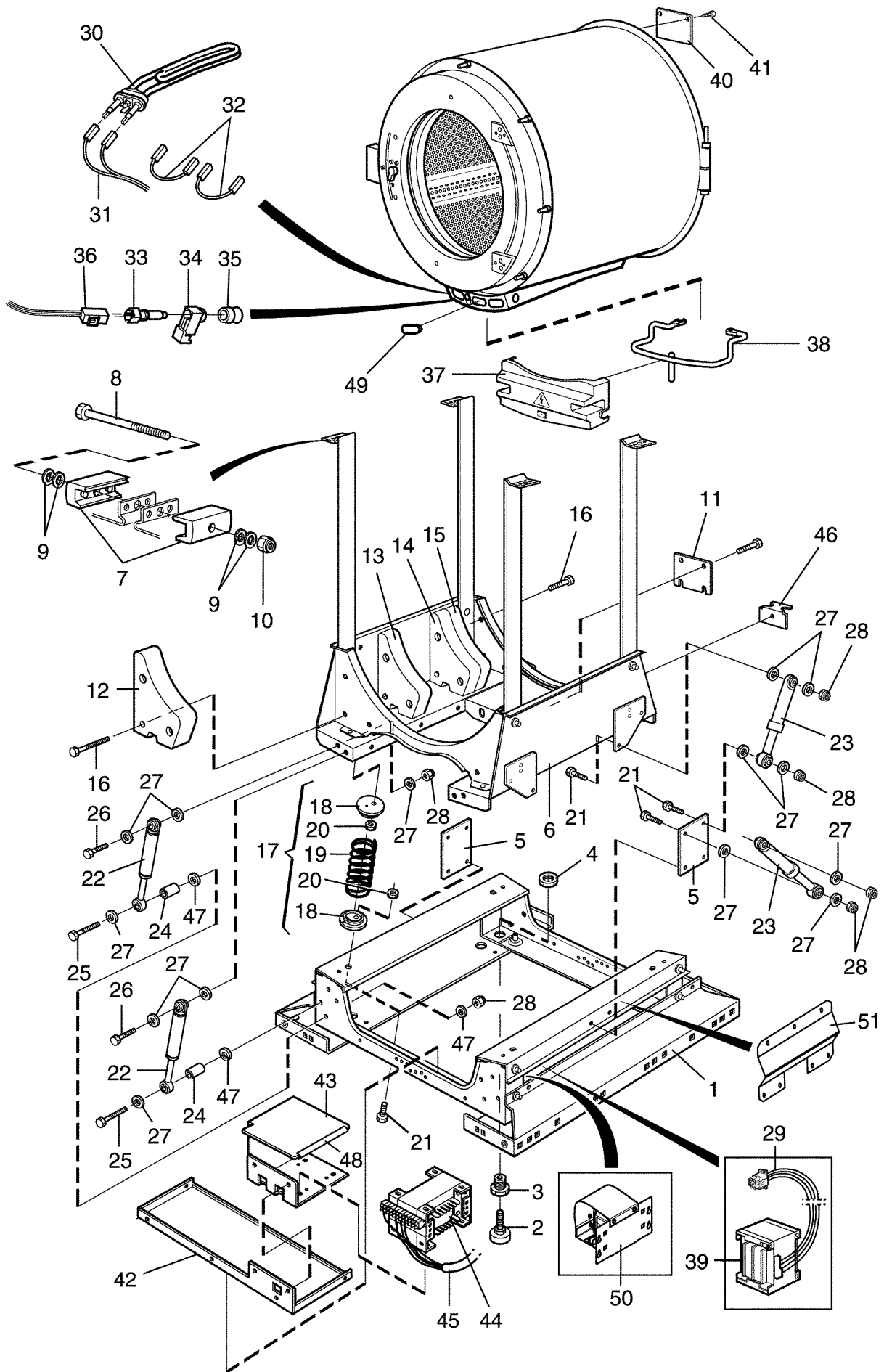
| Item Pos. | Qua. Ant. | Art.No Art.nr | Description       | Benämning     | Info Info | Notes Anmärkning |
|-----------|-----------|---------------|-------------------|---------------|-----------|------------------|
| 49        | 3         | 471 9822-99   | Plug              | Propp         |           | 15A              |
| 50        | 1         | 413 3704-12   | Choke             | Choke         |           |                  |
| 51        | 2         | 432 1438-01   | Transport support | Transportstöd |           |                  |



**W5240H Compass****Base and outer drum****Stativ och yttertrumma**

|               |          |          |             |
|---------------|----------|----------|-------------|
| Illustration  | Issue    | Month    | Year        |
| Illustration  | Utgåva   | Månad    | År          |
| <b>500306</b> | <b>1</b> | <b>4</b> | <b>2013</b> |

| Item Pos. | Qua. Ant. | Art.No Art.nr | Description      | Benämning     | Info Info | Notes Anmärkning    |
|-----------|-----------|---------------|------------------|---------------|-----------|---------------------|
| 1         | 1         | 432 1411-01   | Frame            | Stativ        |           | Lower               |
| 2         | 4         | 438 8156-01   | •Foot            | •Fot          |           | M10                 |
| 3         | 4         | 432 1458-01   | •Bushing         | •Bussning     |           | M10                 |
| 4         | 4         | 471 8413-01   | •Nut             | •Mutter       |           | M20                 |
| 5         | 2         | 432 1468-01   | •Bracket         | •Fäste        |           | Middle              |
| 6         | 1         | 432 1412-01   | Frame            | Stativ        |           | Upper               |
| 7         | 4         | 432 1453-01   | •Tensioner       | •Spänne       |           |                     |
| 8         | 2         | 725 2465-71   | •Screw           | •Skruv        |           | M8X70               |
| 9         | 8         | 471 7807-02   | •Tension plate   | •Spännbricka  |           | 18x8,4x2            |
| 10        | 2         | 732 2118-01   | •Locking nut     | •Låsmutter    |           | M8                  |
| 11        | 1         | 432 1652-01   | •Bracket         | •Vridskydd    |           |                     |
| 12        | 2         | 432 1406-01   | •Counterweight   | •Motvikt      |           |                     |
| 13        | 2         | 432 1406-02   | •Counterweight   | •Motvikt      |           |                     |
| 14        | 2         | 432 1407-01   | •Counterweight   | •Motvikt      |           |                     |
| 15        | 2         | 432 1407-02   | •Counterweight   | •Motvikt      |           |                     |
| 16        | 12        | 471 8328-08   | •Screw           | •Skruv        |           | M10X80              |
| 17        | 1         | 472 9913-07   | Suspension       | Fjäderenhhet  |           | Kit compl.          |
| 18        | 8         |               | •Spring retainer | •Fjäderfäste  |           |                     |
| 19        | 4         |               | •Spring          | •Fjäder       |           |                     |
| 20        | 8         |               | •Nut             | •Mutter       |           |                     |
| 21        | 14        | 471 8328-09   | Screw            | Skruv         |           | M10X20              |
| 22        | 1         | 472 9913-10   | Shock absorber   | Stötdämpare   |           | Complete kit 8, pcs |
| 23        | 1         | 472 9913-08   | Shock absorber   | Stötdämpare   |           | Complete kit, 4 pcs |
| 24        | 8         | 471 8555-03   | Bushing          | Bussning      |           |                     |
| 25        | 8         | 725 2464-51   | Screw            | Skruv         |           | M8X65               |
| 26        | 16        | 725 2461-51   | Screw            | Skruv         |           | M8X50               |
| 27        | Rq        | 471 8502-34   | Washer           | Bricka        |           | 8,4x24x2            |
| 28        | Rq        | 732 2118-01   | Locking nut      | Låsmutter     |           | M8                  |
| 29        | 1         | 432 2985-01   | Cable set        | Ledningssats  |           | 200V                |
| 30        | 3         | 471 9825-24   | Heating element  | Element       |           | 6.36kW 230V         |
|           | 3         | 471 9825-21   | Heating element  | Element       |           | 6.6kW 240V          |
|           | 3         | 471 9825-22   | Heating element  | Element       |           | 7kW 254V            |
|           | 3         | 471 9825-23   | Heating element  | Element       |           | 7.6kW 277V          |
|           | 3         | 471 9829-21   | Heating element  | Element       |           | 7.66kW 240V MOP     |
|           | 3         | 471 9829-22   | Heating element  | Element       |           | 7.66kW 254V MOP     |
|           | 3         | 471 9829-23   | Heating element  | Element       |           | 7.66kW 277V MOP     |
| 31        | 1         | 413 2965-04   | Cable set        | Ledningssats  |           | EL/DS               |
|           | 1         | 413 2965-02   | Cable set        | Ledningssats  |           | 400V                |
|           | 1         | 413 2965-05   | Cable set        | Ledningssats  |           | 1AC 230V/3AC 415V   |
|           | 1         | 413 2965-03   | Cable set        | Ledningssats  |           | 230V                |
| 32        | 2         | 413 2965-01   | Cable set        | Ledningssats  |           | 400V                |
| 33        | 1         | 472 9904-98   | Sensor           | Givare        |           | Complete            |
| 34        | 1         |               | •Discharge       | •Avlastning   |           |                     |
| 35        | 1         |               | •Bushing         | •Bussning     |           |                     |
| 36        | 1         | 413 3272-15   | Cable set        | Ledningssats  |           |                     |
| 37        | 1         | 432 1654-01   | Cover            | Skydd         |           |                     |
| 38        | 1         | 432 1653-01   | Clamp            | Bygel         |           |                     |
| 39        | 1         | 438 9569-01   | Transformer      | Transformator |           | 200V                |
| 40        | 1         | 432 1649-01   | Plate            | Platta        |           |                     |
| 41        | 8         | 471 8328-05   | Screw            | Skruv         |           | M8X20               |
| 42        | 1         | 432 1426-01   | Beam             | Balk          |           |                     |
| 43        | 1         | 432 1421-01   | Bracket          | Konsol        |           |                     |
|           | 1         | 432 1295-01   | Bracket          | Konsol        |           | Trafo 200V          |
| 44        | 1         | 438 9573-01   | Transformer      | Transformator |           | 100-120V            |
|           | 1         | 438 9563-01   | Transformer      | Transformator |           | 380-480V            |
| 45        | 1         | 432 2977-01   | Cable set        | Ledningssats  |           | 100-120V 380-480V   |
| 46        | 2         | 432 1335-01   | Guide            | Styrning      |           |                     |
| 47        | 16        | 471 8502-34   | Washer           | Bricka        |           | 8,4x24x2            |
| 48        | 4         | 471 8180-10   | Strip            | List          |           |                     |





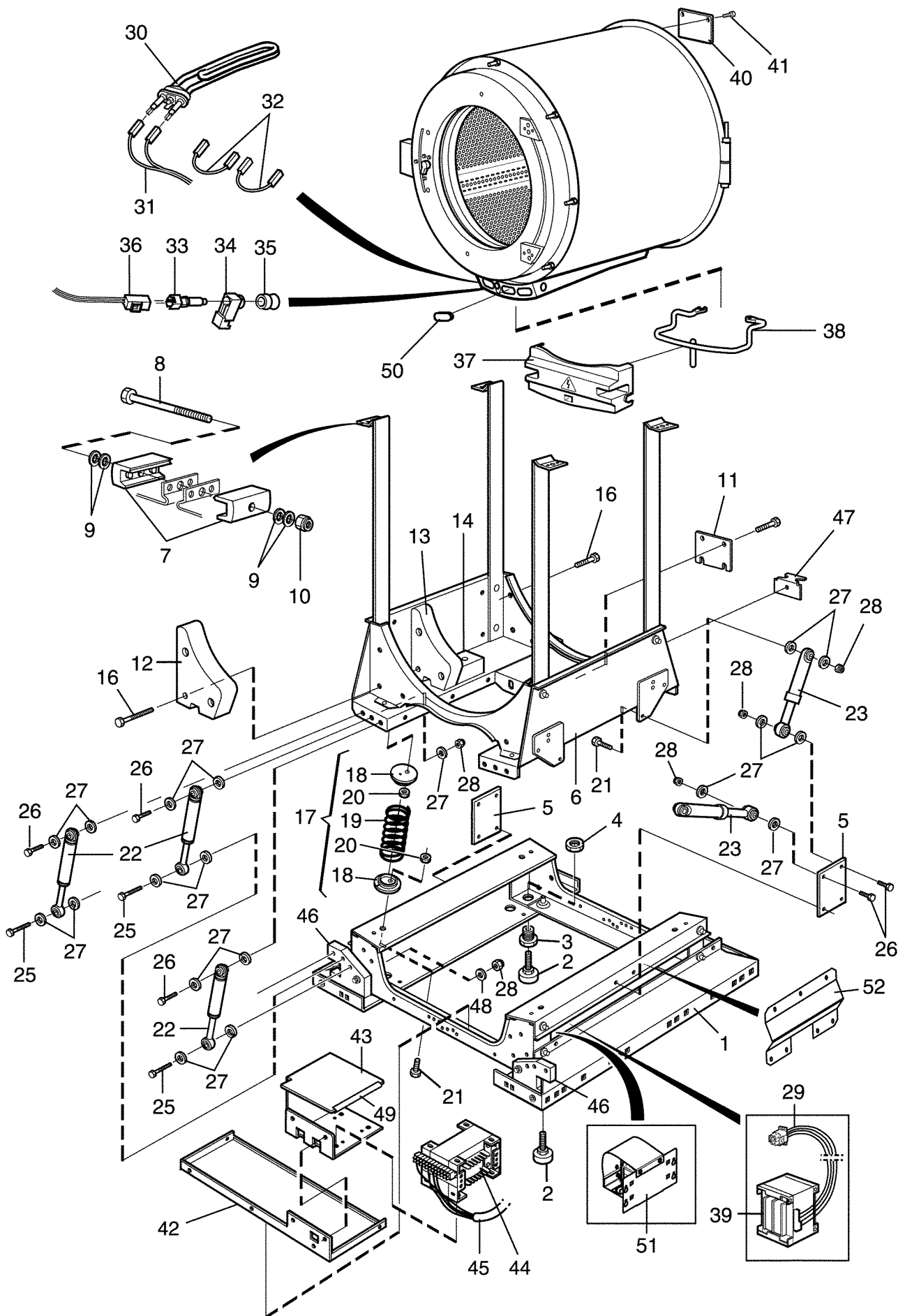
**W5240H Compass**

**Base and outer drum**

**Stativ och yttertrumma**

|               |          |          |             |
|---------------|----------|----------|-------------|
| Illustration  | Issue    | Month    | Year        |
| Illustration  | Utgåva   | Månad    | År          |
| <b>500306</b> | <b>1</b> | <b>4</b> | <b>2013</b> |

| Item Pos. | Qua. Ant. | Art.No Art.nr | Description       | Benämning     | Info Info | Notes Anmärkning |
|-----------|-----------|---------------|-------------------|---------------|-----------|------------------|
| 49        | 3         | 471 9822-99   | Plug              | Propp         |           |                  |
| 50        | 1         | 413 3704-12   | Choke             | Choke         |           | 15A              |
| 51        | 2         | 432 1438-01   | Transport support | Transportstöd |           |                  |

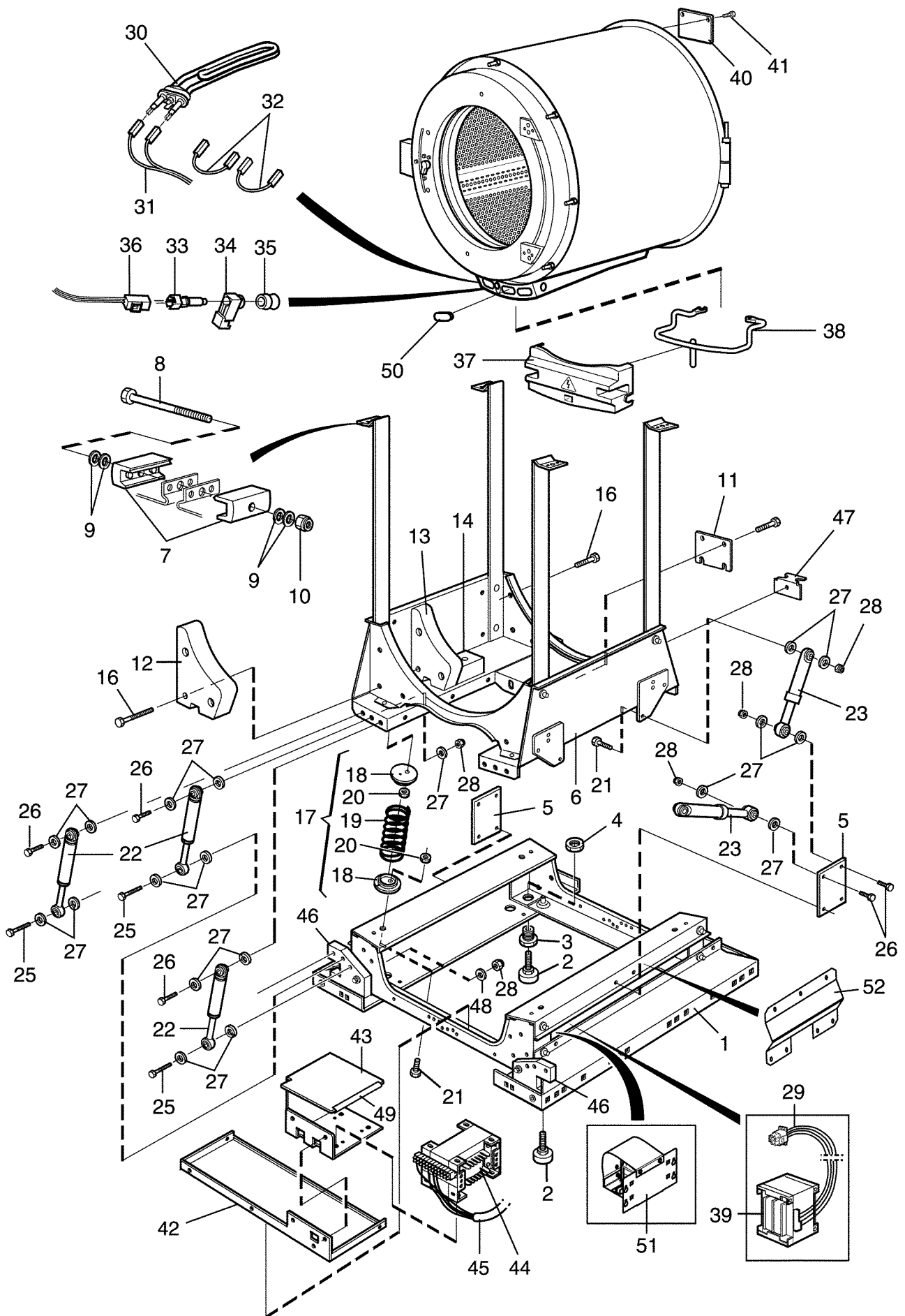


**W5300H Compass****Base and outer drum**

| Illustration  | Issue    | Month    | Year        |
|---------------|----------|----------|-------------|
| Illustration  | Utgåva   | Månad    | År          |
| <b>500307</b> | <b>1</b> | <b>4</b> | <b>2013</b> |

**Stativ och yttertrumma**

| Item Pos. | Qua. Ant. | Art.No Art.nr | Description      | Benämning     | Info Info | Notes Anmärkning    |
|-----------|-----------|---------------|------------------|---------------|-----------|---------------------|
| 1         | 1         | 432 1413-01   | Frame            | Stativ        |           | Lower               |
| 2         | 4         | 438 8156-03   | •Foot            | •Fot          |           | M12                 |
| 3         | Rq        |               |                  |               |           | Not used            |
| 4         | 4         | 471 8413-01   | •Nut             | •Mutter       |           | M20                 |
| 5         | 2         | 432 1468-01   | •Bracket         | •Fäste        |           | Middle              |
| 6         | 1         | 432 1414-01   | Frame            | Stativ        |           | Upper               |
| 7         | 4         | 432 1453-01   | •Tensioner       | •Spänne       |           |                     |
| 8         | 2         | 725 2465-71   | •Screw           | •Skruv        |           | M8X70               |
| 9         | 8         | 471 7807-02   | •Tension plate   | •Spännbricka  |           | 18x8,4x2            |
| 10        | 2         | 732 2118-01   | •Locking nut     | •Låsmutter    |           | M8                  |
| 11        | 1         |               | •Bracket         | •Vridskydd    |           |                     |
| 12        | 1         | 432 1406-01   | •Counterweight   | •Motvikt      |           | Left                |
|           | 1         | 432 1406-02   | •Counterweight   | •Motvikt      |           | Right               |
| 13        | 1         | 432 1407-01   | •Counterweight   | •Motvikt      |           | Left                |
|           | 1         | 432 1407-02   | •Counterweight   | •Motvikt      |           | Right               |
| 14        | 2         | 432 1437-01   | •Counterweight   | •Motvikt      |           |                     |
| 15        | Rq        |               |                  |               |           | Not used            |
| 16        | 12        | 471 8328-08   | •Screw           | •Skruv        |           | M10X80              |
| 17        | 1         | 472 9913-63   | Suspension       | Fjäderenhet   |           | Kit compl.          |
| 18        | 8         |               | •Spring retainer | •Fjäderfäste  |           |                     |
| 19        | 4         |               | •Spring          | •Fjäder       |           |                     |
| 20        | 8         |               | •Nut             | •Mutter       |           |                     |
| 21        | 14        | 471 8328-09   | Screw            | Skruv         |           | M10X20              |
| 22        | 1         | 472 9913-33   | Shock absorber   | Stötdämpare   |           | Complete kit 10 pcs |
| 23        | 1         | 472 9913-08   | Shock absorber   | Stötdämpare   |           | Complete kit, 4 pcs |
| 24        | 6         | 471 8555-03   | Bushing          | Bussning      |           |                     |
| 25        | 9         | 725 2464-51   | Screw            | Skruv         |           | M8X65               |
| 26        | 17        | 725 2461-51   | Screw            | Skruv         |           | M8X50               |
| 27        | Rq        | 471 8502-34   | Washer           | Bricka        |           | 8,4x24x2            |
| 28        | Rq        | 732 2118-01   | Locking nut      | Låsmutter     |           | M8                  |
| 29        | 1         | 432 2985-01   | Cable set        | Ledningssats  |           | 200V                |
| 30        | 3         | 471 9825-24   | Heating element  | Element       |           | 6.36kW 230V         |
|           | 3         | 471 9825-21   | Heating element  | Element       |           | 6.6kW 240V          |
|           | 3         | 471 9825-22   | Heating element  | Element       |           | 7kW 254V            |
|           | 3         | 471 9825-23   | Heating element  | Element       |           | 7.6kW 277V          |
|           | 3         | 471 9829-21   | Heating element  | Element       |           | 7.66kW 240V MOP     |
|           | 3         | 471 9829-22   | Heating element  | Element       |           | 7.66kW 254V MOP     |
|           | 3         | 471 9829-23   | Heating element  | Element       |           | 7.66kW 277V MOP     |
| 31        | 1         | 413 2965-02   | Cable set        | Ledningssats  |           | 400V                |
|           | 1         | 413 2965-03   | Cable set        | Ledningssats  |           | 230V                |
|           | 1         | 413 2965-04   | Cable set        | Ledningssats  |           | EL/DS               |
| 32        | 2         | 413 2965-01   | Cable set        | Ledningssats  |           | 400V 400V           |
| 33        | 1         | 472 9904-98   | Sensor           | Givare        |           | Complete            |
| 34        | 1         |               | •Discharge       | •Avlastning   |           |                     |
| 35        | 1         |               | •Bushing         | •Bussning     |           |                     |
| 36        | 1         | 413 3272-15   | Cable set        | Ledningssats  |           |                     |
| 37        | 1         | 432 1654-01   | Cover            | Skydd         |           |                     |
| 38        | 1         | 432 1653-01   | Clamp            | Bygel         |           |                     |
| 39        | 1         | 438 9569-01   | Transformer      | Transformator |           | 200V                |
| 40        | 1         | 432 1649-01   | Plate            | Platta        |           |                     |
| 41        | 8         | 471 8328-05   | Screw            | Skruv         |           | M8X20               |
| 42        | 1         | 432 1426-01   | Beam             | Balk          |           |                     |
| 43        | 1         | 432 1421-01   | Bracket          | Konsol        |           |                     |
|           | 1         | 432 1295-01   | Bracket          | Konsol        |           | Trafo 200V          |
| 44        | 1         | 438 9573-01   | Transformer      | Transformator |           | 100-120V            |
|           | 1         | 438 9563-01   | Transformer      | Transformator |           | 380-480V            |
| 45        | 1         | 432 2977-01   | Cable set        | Ledningssats  |           | 100-120V 380-480V   |
| 46        | 4         | 432 1399-02   | Bracket          | Fäste         |           |                     |
| 47        | 2         | 432 1335-01   | Guide            | Styrning      |           |                     |



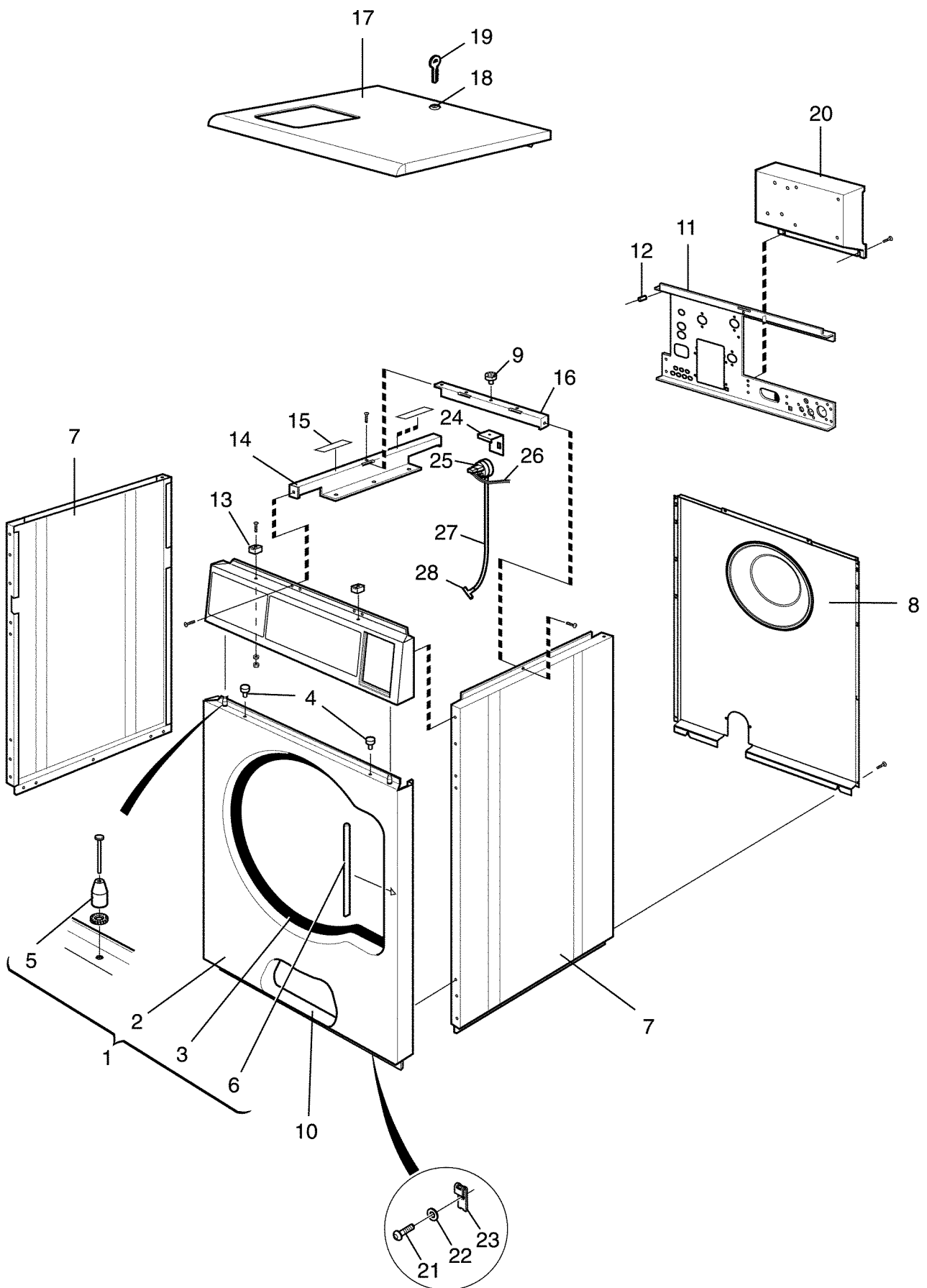
**W5300H Compass**

**Base and outer drum**

**Stativ och yttertrumma**

Illustration Issue Month Year  
 Illustration Utgåva Månad År  
**500307 1 4 2013**

| Item Pos. | Qua. Ant. | Art.No Art.nr | Description       | Benämning     | Info Info | Notes Anmärkning |
|-----------|-----------|---------------|-------------------|---------------|-----------|------------------|
| 48        | Rq        | 471 8502-34   | Washer            | Bricka        |           | 8,4x24x2         |
| 49        | 1         | 471 8180-10   | Strip             | List          |           |                  |
| 50        | 1         | 471 9822-99   | Plug              | Propp         |           |                  |
| 51        | 1         | 413 3704-12   | Choke             | Choke         |           | 15A              |
| 52        | 2         | 432 1438-02   | Transport support | Transportstöd |           |                  |

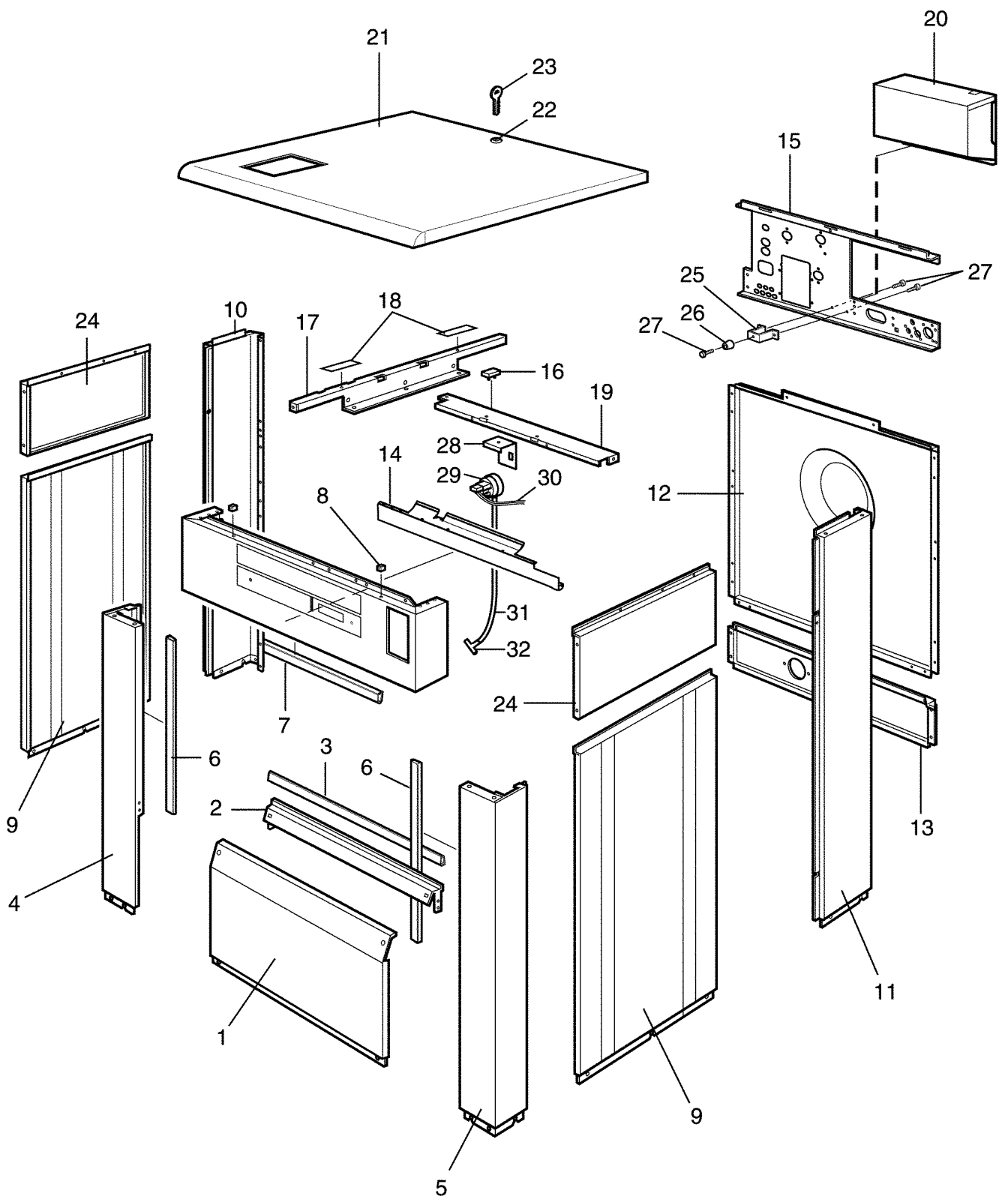


**W575H Compass,W5105H Compass****Lining and top panel**

| Illustration  | Issue    | Month    | Year        |
|---------------|----------|----------|-------------|
| Illustration  | Utgåva   | Månad    | År          |
| <b>500280</b> | <b>7</b> | <b>3</b> | <b>2015</b> |

**Klädselplåtar och topplock**

| Item Pos. | Quantity Antal | Art.No Art.nr | Description    | Benämning     | Info Info | Notes Anmärkning       |
|-----------|----------------|---------------|----------------|---------------|-----------|------------------------|
|           |                |               | W575H Compass  |               |           |                        |
|           |                |               | W5105H Compass |               |           |                        |
| 1         | 1              | 472 9951-01   | Front panel    | Frontplåt     |           | Grey/Blue Complete     |
|           | 1              | 472 9951-11   | Front panel    | Frontplåt     |           | Stainless Complete     |
|           | 1              | 472 9951-21   | Front panel    | Frontplåt     |           | White Complete         |
|           | 1              | 472 9951-03   | Front panel    | Frontplåt     |           | Grey/Blue Complete     |
|           | 1              | 472 9951-13   | Front panel    | Frontplåt     |           | Stainless Complete     |
|           | 1              | 472 9951-23   | Front panel    | Frontplåt     |           | White Complete         |
| 2         | 1              |               | •Front panel   | •Frontplåt    |           |                        |
| 3         | 1              | 432 2164-11   | •Strip         | •List         |           |                        |
|           | 1              | 432 2164-12   | •Strip         | •List         |           |                        |
| 4         | 2              | 471 8196-01   | •Plug          | •Plugg        |           |                        |
| 5         | 2              | 438 5109-02   | •Guide pin     | •Styrpinne    |           |                        |
| 6         | 1              | 471 4672-67   | •Protection    | •Skydd        |           |                        |
| 7         | 2              | 432 2057-03   | Side panel     | Sidoplåt      |           | Grey                   |
|           | 2              | 432 2057-10   | Side panel     | Sidoplåt      |           | Stainless              |
|           | 2              | 432 2058-03   | Side panel     | Sidoplåt      |           | Grey                   |
|           | 2              | 432 2058-10   | Side panel     | Sidoplåt      |           | Stainless              |
| 8         | 1              | 413 5006-01   | Rear panel     | Bakstycke     |           |                        |
| *         | 1              | 432 2077-02   | Rear panel     | Bakstycke     |           | GAS                    |
|           | 1              | 413 5008-01   | Rear panel     | Bakstycke     |           |                        |
| 9         | 1              | 471 8641-02   | Plug           | Propp         |           |                        |
| 10        | 1              | 438 7507-01   | Insulation     | Isolering     |           |                        |
| 11        | 1              | 432 2351-01   | Brace bracket  | Stagplåt      |           |                        |
|           | 1              | 432 2354-01   | Brace bracket  | Stagplåt      |           |                        |
| 12        | 2              | 432 2180-01   | Spacer         | Distans       |           |                        |
| 13        | 2              | 432 2273-01   | Guide          | Styrning      |           |                        |
| 14        | 1              | 432 2130-01   | Brace          | Stag          |           |                        |
|           | 1              | 432 2130-03   | Brace          | Stag          |           |                        |
| 15        | 4              | 471 7565-21   | Velcro tape    | Kardborreband |           |                        |
| 16        | 1              | 432 2120-01   | Brace          | Stag          |           |                        |
|           | 1              | 432 2122-01   | Brace          | Stag          |           |                        |
| 17        | 1              | 432 2280-65   | Top panel      | Topplöck      |           |                        |
|           | 1              | 432 2280-66   | Top panel      | Topplöck      |           | No detergent container |
|           | 1              | 413 2201-21   | Top panel      | Topplöck      |           | With lock              |
|           | 1              | 413 2201-22   | Top panel      | Topplöck      |           | No detergent container |
|           |                |               |                |               |           | With lock              |
|           | 1              | 432 2281-65   | Top panel      | Topplöck      |           |                        |
|           | 1              | 432 2281-66   | Top panel      | Topplöck      |           | No detergent container |
|           | 1              | 413 2201-23   | Top panel      | Topplöck      |           | With lock Coin-meter   |
|           | 1              | 413 2201-24   | Top panel      | Topplöck      |           | No detergent container |
|           |                |               |                |               |           | With lock              |
| 18        | 1              | 471 7826-10   | •Lock          | •Lås          |           |                        |
| 19        | 1              | 472 9900-99   | •Key           | •Nyckel       |           | SET                    |
| 20        | 1              | 432 2215-01   | Plate          | Plåt          |           |                        |
| 21        | 2              | 471 8344-35   | Screw          | Skruv         |           | M6X16                  |
| 22        | 2              | 735 2153-01   | Lock washer    | Låsbricka     |           | 6,4                    |
| 23        | 2              | 471 7864-01   | Clip           | Clips         |           | M6                     |
| 24        | 1              | 432 6318-01   | Bracket        | Hållare       |           |                        |
| 25        | 1              | 471 8861-02   | Level control  | Nivåkontroll  |           |                        |
| 26        | 1              | 413 2915-02   | Cable set      | Ledningssats  |           | MOP Heating            |
|           | 1              | 413 2915-01   | Cable set      | Ledningssats  |           |                        |
| 27        | 1              | 471 2436-10   | Hose           | Slang         |           |                        |
| 28        | 1              | 471 2265-69   | T-pipe         | T-rör         |           |                        |





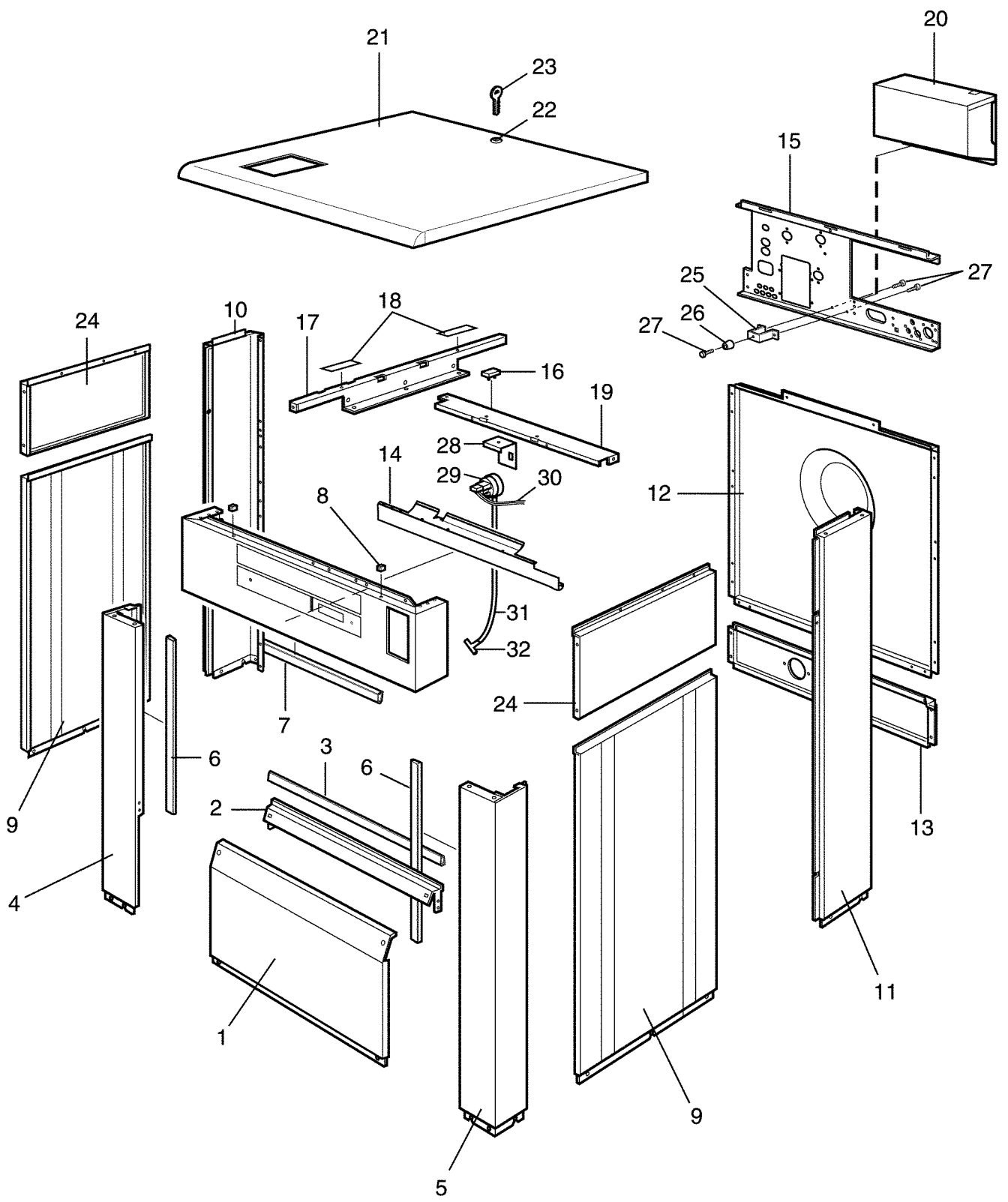
**W5130H Compass,W5180H Compass,W5240H Compass,W5300H Compass**

**Lining and top panel**

Illustration Issue Month Year  
Illustration Utgåva Månad År  
**500301 3 2 2015**

**Klädselplåtar och topplock**

| Item Pos. | Quantity Antal | Art.No Art.nr | Description    | Benämning | Info Info | Notes Anmärkning |
|-----------|----------------|---------------|----------------|-----------|-----------|------------------|
|           |                |               | W5130H Compass |           |           |                  |
|           |                |               | W5180H Compass |           |           |                  |
|           |                |               | W5240H Compass |           |           |                  |
|           |                |               | W5300H Compass |           |           |                  |
| 1         | 1              | 432 2002-01   | Front plate    | Frontplåt |           | Stainless        |
|           | 1              | 432 2003-01   | Front plate    | Frontplåt |           | Stainless        |
|           | 1              | 432 2004-01   | Front plate    | Frontplåt |           | Stainless        |
| 2         | 1              | 432 2135-01   | Brace          | Stag      |           |                  |
|           | 1              | 432 2135-02   | Brace          | Stag      |           |                  |
| 3         | 1              | 432 2163-13   | Rubber strip   | Gummilist |           | L=725            |
| 4         | 1              | 432 2050-01   | Pillar         | Stolpe    |           | Stainless Left   |
|           | 1              | 432 2051-01   | Pillar         | Stolpe    |           | Stainless Left   |
|           | 1              | 432 2052-01   | Pillar         | Stolpe    |           | Stainless Left   |
| 5         | 1              | 432 2050-02   | Pillar         | Stolpe    |           | Stainless Right  |
|           | 1              | 432 2051-02   | Pillar         | Stolpe    |           | Stainless Right  |
|           | 1              | 432 2052-02   | Pillar         | Stolpe    |           | Stainless Right  |
| 6         | 2              | 432 2163-11   | Rubber strip   | Gummilist |           | L=665            |
|           | 2              | 432 2163-13   | Rubber strip   | Gummilist |           | L=725            |
| 7         | 1              | 432 2163-13   | Rubber strip   | Gummilist |           | L=725            |
| 8         | 2              | 432 2273-01   | Guide          | Styrning  |           |                  |
| 9         | 2              | 432 2032-03   | Side panel     | Sidoplåt  |           | Grey             |
|           | 2              | 432 2032-10   | Side panel     | Sidoplåt  |           | Stainless        |
|           | 2              | 432 2034-03   | Side panel     | Sidoplåt  |           | Grey             |
|           | 2              | 432 2034-10   | Side panel     | Sidoplåt  |           | Stainless        |
|           | 2              | 432 2036-03   | Side panel     | Sidoplåt  |           | Grey             |
|           | 2              | 432 2036-10   | Side panel     | Sidoplåt  |           | Stainless        |
|           | 2              | 432 2207-33   | Side panel     | Sidoplåt  |           | Grey             |
|           | 2              | 432 2207-40   | Side panel     | Sidoplåt  |           | Grey             |
| 10        | 1              | 432 2033-31   | Side panel     | Sidoplåt  |           | Grey Left        |
|           | 1              | 432 2033-10   | Side panel     | Sidoplåt  |           | Stainless Left   |
|           | 1              | 432 2035-31   | Side panel     | Sidoplåt  |           | Grey Left        |
|           | 1              | 432 2035-10   | Side panel     | Sidoplåt  |           | Stainless Left   |
|           | 1              | 432 2037-31   | Side panel     | Sidoplåt  |           | Grey Left        |
|           | 1              | 432 2037-10   | Side panel     | Sidoplåt  |           | Stainless Left   |
|           | 1              | 432 2059-05   | Side panel     | Sidoplåt  |           | Grey Left        |
|           | 1              | 432 2059-10   | Side panel     | Sidoplåt  |           | Stainless Left   |
| 11        | 1              | 432 2033-32   | Side panel     | Sidoplåt  |           | Grey             |
|           | 1              | 432 2033-11   | Side panel     | Sidoplåt  |           | Stainless Right  |
|           | 1              | 432 2035-32   | Side panel     | Sidoplåt  |           | Grey Right       |
|           | 1              | 432 2035-11   | Side panel     | Sidoplåt  |           | Stainless Right  |
|           | 1              | 432 2037-32   | Side panel     | Sidoplåt  |           | Grey Right       |
|           | 1              | 432 2037-11   | Side panel     | Sidoplåt  |           | Stainless Right  |
|           | 1              | 432 2059-06   | Side panel     | Sidoplåt  |           | Grey Right       |
|           | 1              | 432 2059-11   | Side panel     | Sidoplåt  |           | Stainless Right  |
| 12        | 1              | 432 2064-01   | Rear panel     | Bakstycke |           | Upper            |
|           | 1              | 432 2066-01   | Rear panel     | Bakstycke |           | Upper            |
|           | 1              | 432 2068-01   | Rear panel     | Bakstycke |           | Upper            |
| 13        | 1              | 432 2065-01   | Rear panel     | Bakstycke |           | Lower            |
|           | 1              | 432 2067-01   | Rear panel     | Bakstycke |           | Lower            |
|           | 1              | 432 2069-01   | Rear panel     | Bakstycke |           | Lower            |
| 14        | 1              | 432 2372-01   | Brace          | Stag      |           |                  |
| 15        | 1              | 432 2352-01   | Brace bracket  | Stagplåt  |           |                  |
|           | 1              | 432 2355-01   | Brace bracket  | Stagplåt  |           |                  |
|           | 1              | 432 2356-01   | Brace bracket  | Stagplåt  |           |                  |
| 16        | 2              | 471 8641-02   | Plug           | Propp     |           |                  |
|           | 2              | 471 2437-15   | Plug           | Propp     |           |                  |
|           | 2              | 471 8641-02   | Plug           | Propp     |           |                  |
| 17        | 1              | 432 2131-01   | Brace          | Stag      |           |                  |
|           | 1              | 432 2131-02   | Brace          | Stag      |           |                  |



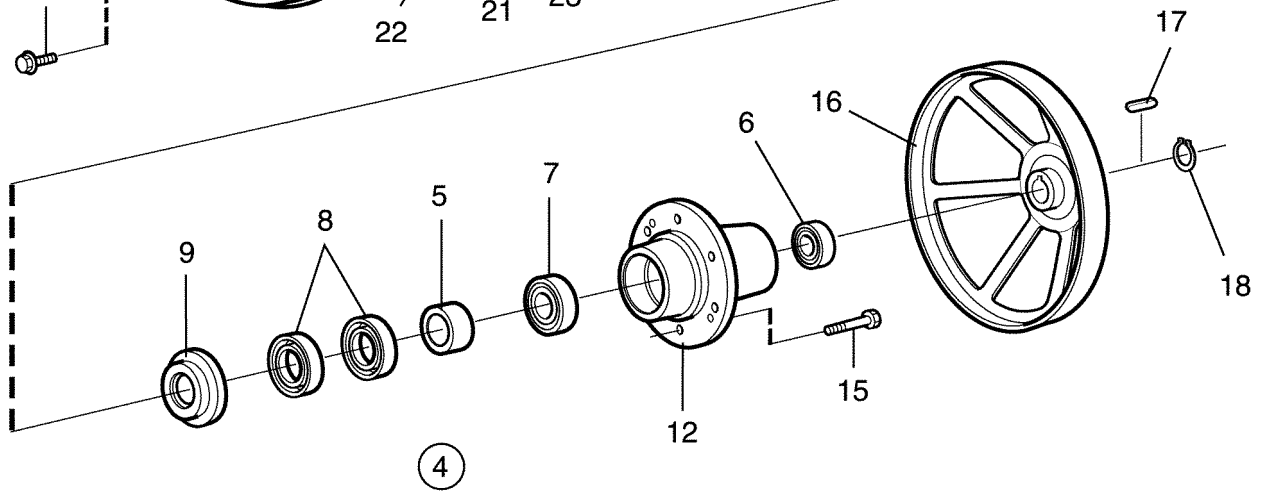
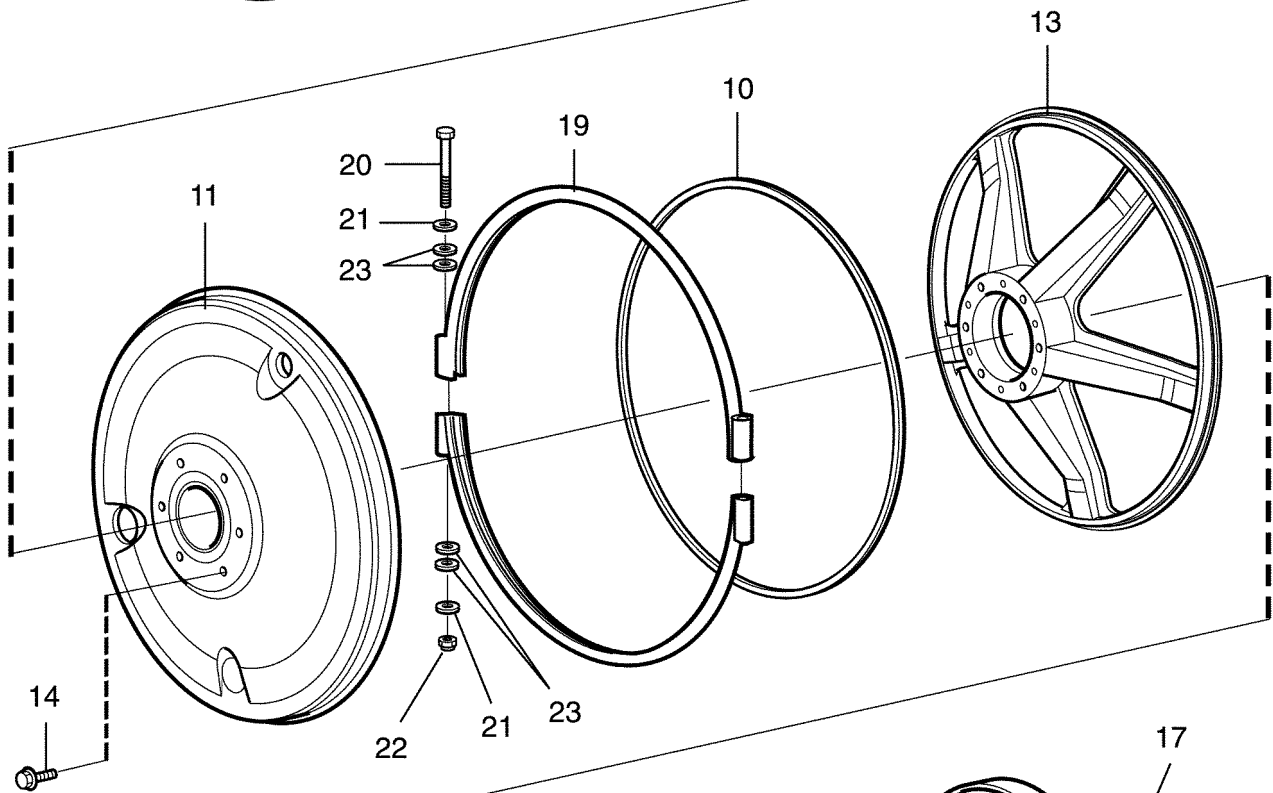
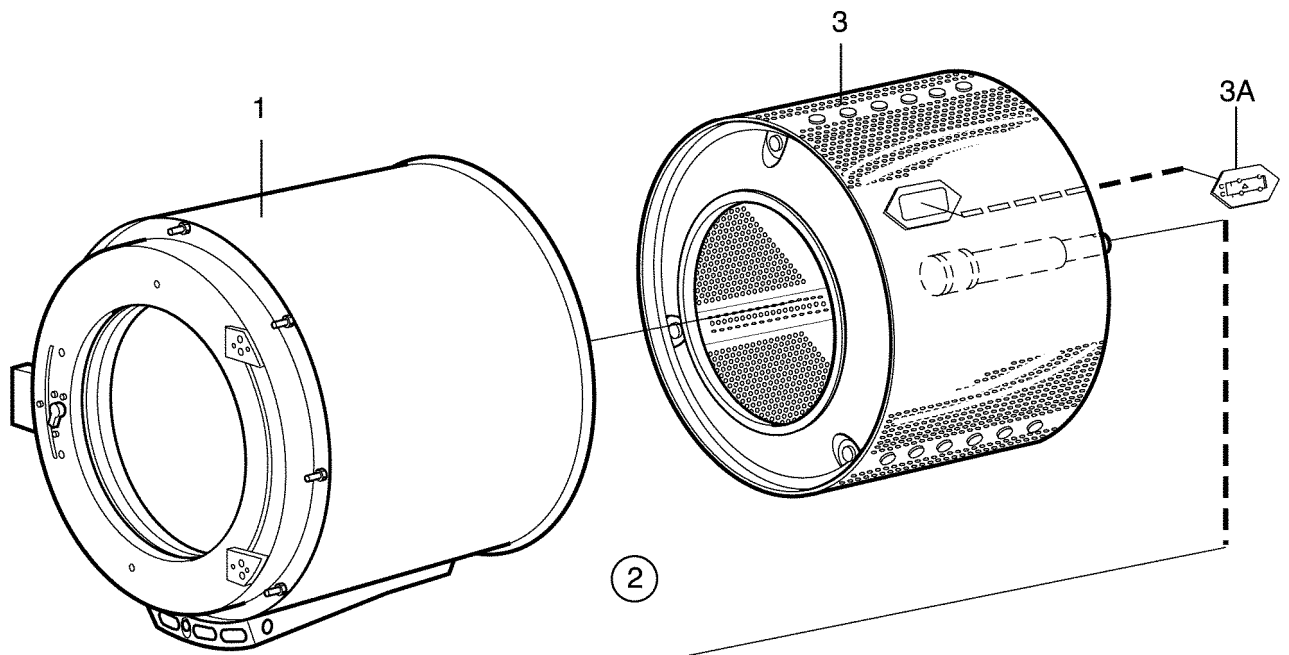
**W5130H Compass,W5180H Compass,W5240H Compass,W5300H Compass**

**Lining and top panel**

Illustration Issue Month Year  
Illustration Utgåva Månad År  
**500301 3 2 2015**

**Klädselplåtar och topplock**

| Item Pos. | Quantity Antal |   | Art.No Art.nr | Description | Benämning   | Info Info | Notes Anmärkning       |
|-----------|----------------|---|---------------|-------------|-------------|-----------|------------------------|
|           | W5130H Compass |   |               |             |             |           |                        |
|           | W5180H Compass |   |               |             |             |           |                        |
|           | W5240H Compass |   |               |             |             |           |                        |
|           | W5300H Compass |   |               |             |             |           |                        |
|           |                | 1 |               | 432 2131-03 | Brace       |           | Stag                   |
|           |                | 1 |               | 432 2131-04 | Brace       |           | Stag                   |
| 18        | 4              | 4 | 4             | 5           | 471 7565-21 |           | Kardborreband          |
| 19        | 1              |   |               |             | 432 2121-02 |           | Stag                   |
|           |                | 1 |               |             | 432 2121-03 |           | Stag                   |
|           |                | 2 | 2             |             | 432 2121-04 |           | Stag                   |
| 20        | 1              |   |               |             | 432 2259-01 |           | Plåt                   |
|           | 1              |   |               |             | 432 2215-01 |           | Plåt                   |
|           |                | 1 |               |             | 432 2259-01 |           | Plåt                   |
|           |                | 1 |               |             | 432 2215-01 |           | Plåt                   |
|           |                | 1 |               |             | 432 2259-01 |           | Plåt                   |
|           |                | 1 |               |             | 432 2215-01 |           | Plåt                   |
|           |                | 1 |               |             | 432 2259-01 |           | Plåt                   |
|           |                | 1 |               |             | 432 2215-01 |           | Plåt                   |
| 21        | 1              |   |               |             | 472 9952-08 |           | Toppllock              |
|           | 1              |   |               |             | 472 9952-10 |           | Toppllock              |
|           | 1              |   |               |             | 472 9952-01 |           | Toppllock              |
|           |                | 1 |               |             | 472 9952-02 |           | Toppllock              |
|           |                | 1 |               |             | 472 9952-11 |           | Toppllock              |
|           |                | 1 |               |             | 472 9952-03 |           | Toppllock              |
|           |                | 1 |               |             | 472 9952-04 |           | Toppllock              |
|           |                | 1 |               |             | 472 9952-12 |           | Toppllock              |
|           |                | 1 |               |             | 472 9952-05 |           | Toppllock              |
|           |                | 1 |               |             | 472 9952-06 |           | Toppllock              |
|           |                | 1 |               |             | 472 9952-13 |           | Toppllock              |
|           |                | 1 |               |             | 472 9952-07 |           | Toppllock              |
| 22        | 1              | 1 | 1             |             | 471 7826-10 |           | •Lock                  |
| 23        | 1              | 1 | 1             |             | 472 9900-99 |           | •Nyckel                |
| 24        | 2              | 2 |               |             | 432 2038-03 |           | Sidoplåt               |
|           | 2              | 2 |               |             | 432 2038-10 |           | Sidoplåt               |
|           |                | 2 | 2             |             | 432 2040-03 |           | Sidoplåt               |
|           |                | 2 | 2             |             | 432 2040-10 |           | Sidoplåt               |
| 25        | 1              |   |               |             | 432 2147-01 |           | Konsol                 |
|           |                | 1 |               |             | 432 2139-01 |           | Konsol                 |
|           |                | 1 | 1             |             | 432 2137-01 |           | Konsol                 |
| 26        | 1              | 1 | 1             | 1           | 471 7980-01 |           | Stopp                  |
| 27        | 3              | 3 | 3             | 3           | 471 8342-15 |           | Skruv                  |
| 28        | 1              | 1 | 1             | 1           | 432 6318-01 |           | Hållare                |
| 29        | 1              | 1 | 1             | 1           | 471 8861-02 |           | Nivåkontroll           |
| 30        | 1              | 1 | 1             | 1           | 413 2915-01 |           | Ledningssats           |
| 31        | 1              | 1 | 1             | 1           | 471 2436-10 |           | Slang                  |
| 32        | 1              | 1 | 1             | 1           | 471 2265-69 |           | T-rör                  |
|           |                |   |               |             |             |           | With lock              |
|           |                |   |               |             |             |           | No detergent container |
|           |                |   |               |             |             |           | With lock              |
|           |                |   |               |             |             |           | No detergent container |
|           |                |   |               |             |             |           | With lock              |
|           |                |   |               |             |             |           | No detergent container |
|           |                |   |               |             |             |           | With lock              |
|           |                |   |               |             |             |           | No detergent container |
|           |                |   |               |             |             |           | SET                    |
|           |                |   |               |             |             |           | Grey Upper             |
|           |                |   |               |             |             |           | Stainless Upper        |
|           |                |   |               |             |             |           | Grey Upper             |
|           |                |   |               |             |             |           | Stainless Upper        |



**W575H Compass,W5105H Compass,W5130H Compass,W5180H Compass,W5240H Compass,W5300H Compass**

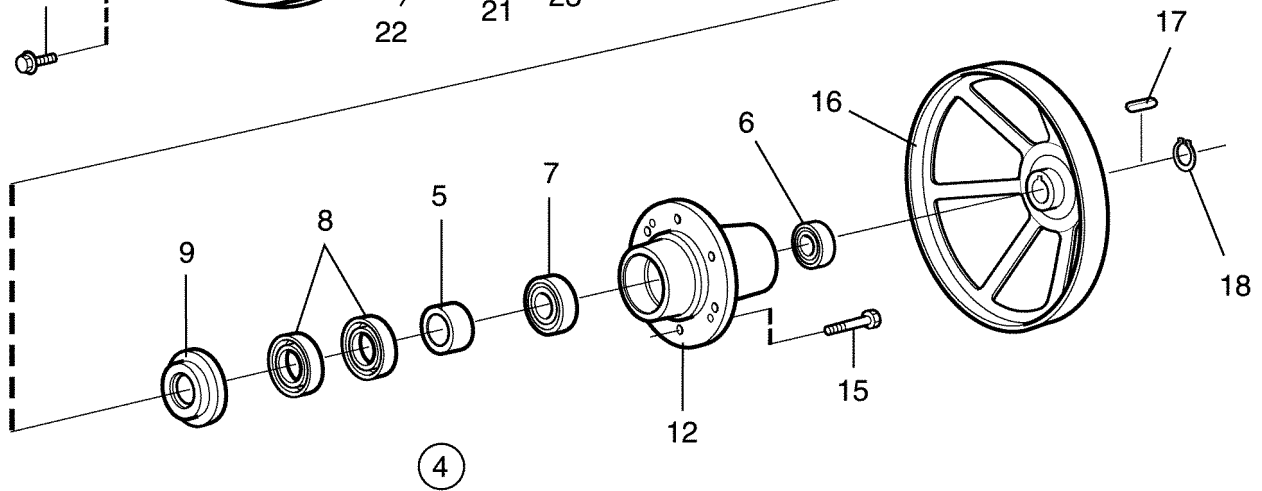
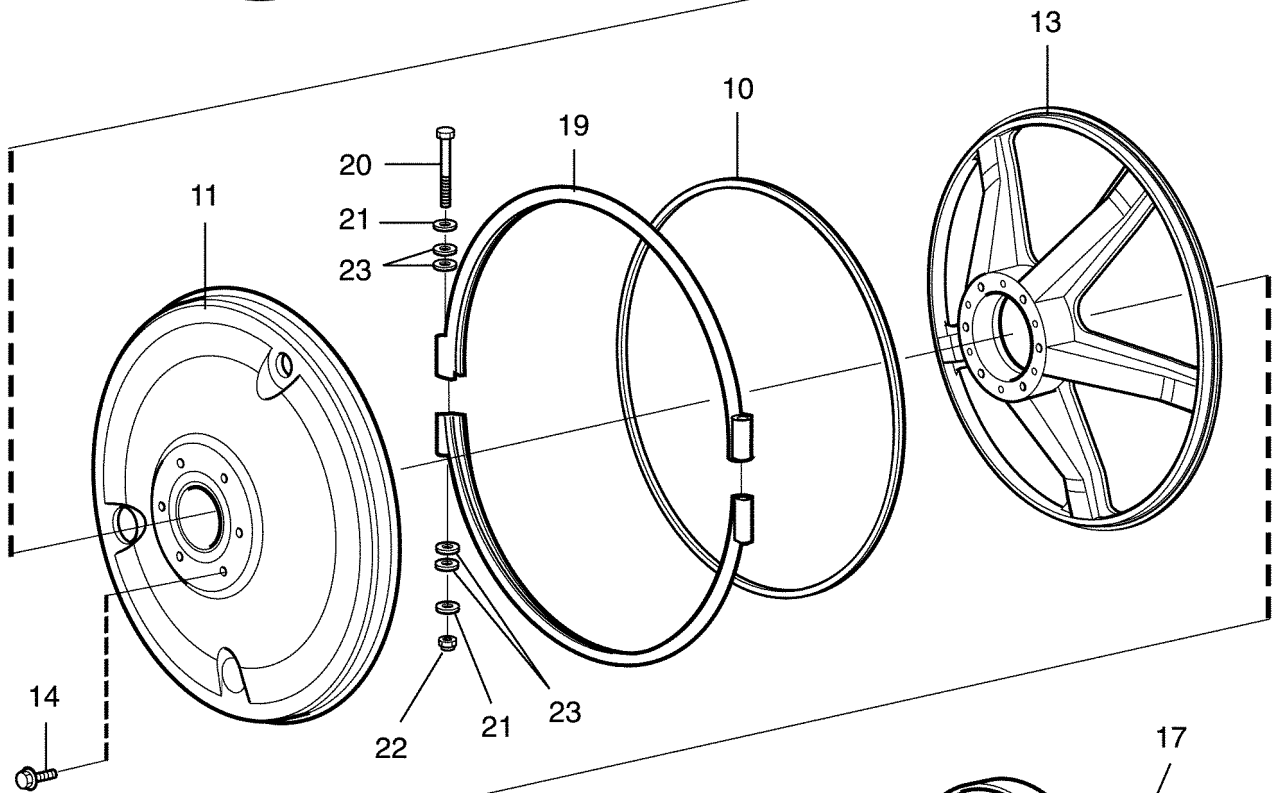
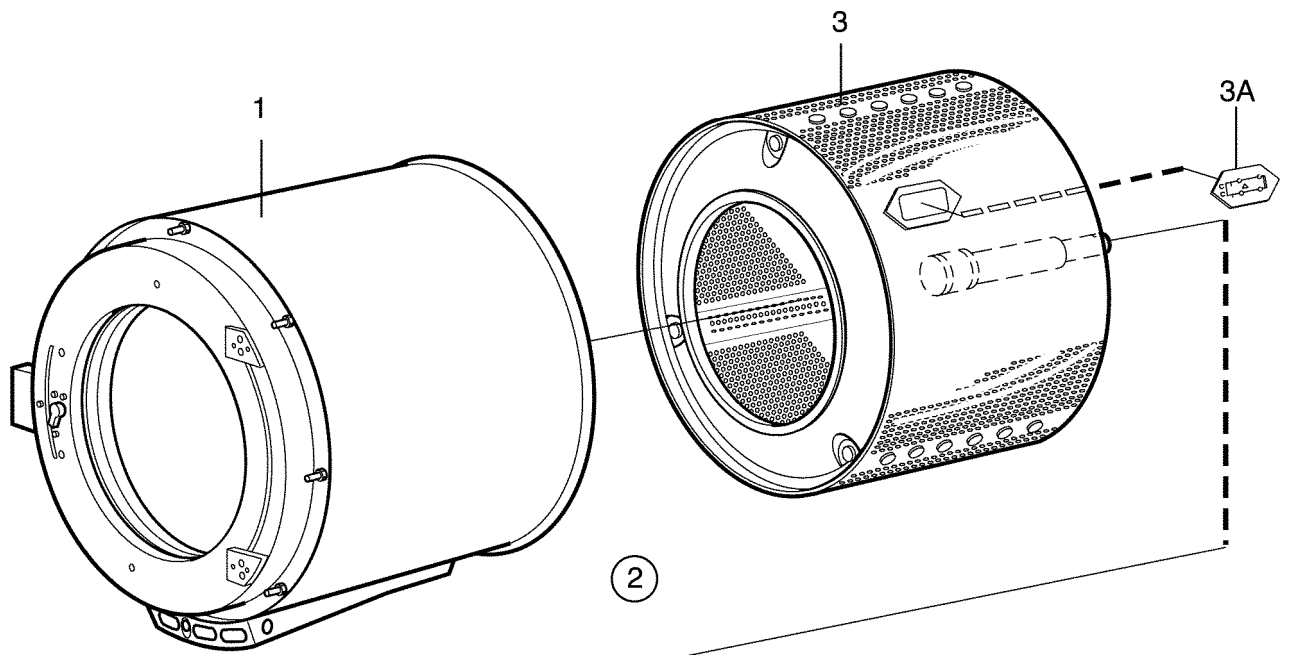
**Drum, rear gable**

Illustration Issue Month Year  
Illustration Utgåva Månad År

**Trumma,bakgavel**

**500281 2 3 2015**

| Item Pos. | Quantity Antal | Art.No Art.nr | Description | Benämning    | Info Info    | Notes Anmärkning       |                                       |
|-----------|----------------|---------------|-------------|--------------|--------------|------------------------|---------------------------------------|
| 1         | W575H Compass  |               |             |              |              |                        |                                       |
|           | W5105H Compass |               |             |              |              |                        |                                       |
|           | W5130H Compass |               |             |              |              |                        |                                       |
|           | W5180H Compass |               |             |              |              |                        |                                       |
|           | W5240H Compass |               |             |              |              |                        |                                       |
|           | W5300H Compass |               |             |              |              |                        |                                       |
|           | 1              | 1             | 432 1570-11 | Outer drum   | Yttertrumma  |                        | Non-heated                            |
|           |                | 1             | 432 1570-12 | Outer drum   | Yttertrumma  |                        | El/Dual heating                       |
|           |                | 1             | 432 1570-13 | Outer drum   | Yttertrumma  |                        | Steam                                 |
|           |                | 1             | 432 1571-01 | Outer drum   | Yttertrumma  |                        | Non-heated                            |
|           |                | 1             | 432 1571-02 | Outer drum   | Yttertrumma  |                        | El/Dual heating                       |
|           |                | 1             | 432 1571-03 | Outer drum   | Yttertrumma  |                        | Steam                                 |
|           |                | 1             | 432 1572-01 | Outer drum   | Yttertrumma  |                        | Non-heated                            |
|           |                | 1             | 432 1572-02 | Outer drum   | Yttertrumma  |                        | El/Dual heating                       |
|           |                | 1             | 432 1572-03 | Outer drum   | Yttertrumma  |                        | Steam                                 |
|           |                | 1             | 432 1573-01 | Outer drum   | Yttertrumma  |                        | Non-heated                            |
|           |                | 1             | 432 1573-02 | Outer drum   | Yttertrumma  |                        | El/Dual heating                       |
|           |                | 1             | 432 1573-03 | Outer drum   | Yttertrumma  |                        | Steam                                 |
|           |                | 1             | 472 9962-01 | Outer drum   | Yttertrumma  |                        | Recirculation<br>With hose connection |
|           |                | 1             | 432 1574-01 | Outer drum   | Yttertrumma  |                        | Non-heated                            |
|           |                | 1             | 432 1574-02 | Outer drum   | Yttertrumma  |                        | El/Dual heating                       |
|           | 1              | 432 1574-03   | Outer drum  | Yttertrumma  |              | Steam                  |                                       |
| 2         |                | 1             | 432 1574-21 | Outer drum   | Yttertrumma  | Non-heated             |                                       |
|           |                | 1             | 432 1574-22 | Outer drum   | Yttertrumma  | EL.                    |                                       |
|           |                | 1             | 432 1574-23 | Outer drum   | Yttertrumma  | DS                     |                                       |
|           | 1              | 1             | 432 1605-21 | Rear gable   | Bakgavel     | Complete               |                                       |
|           |                | 1             | 432 1605-26 | Rear gable   | Bakgavel     | Gas heated<br>Complete |                                       |
|           |                | 1             | 432 1605-25 | Rear gable   | Bakgavel     | MOP Complete           |                                       |
|           |                | 1             | 432 1606-01 | Rear gable   | Bakgavel     | Complete               |                                       |
|           |                | 1             | 432 1606-02 | Rear gable   | Bakgavel     | Gas Complete           |                                       |
|           |                | 1             | 432 1606-06 | Rear gable   | Bakgavel     | MOP Complete           |                                       |
|           |                | 1             | 432 1607-01 | Rear gable   | Bakgavel     | Without<br>lubrication |                                       |
|           |                | 1             | 432 1607-02 | Rear gable   | Bakgavel     | DBS Level tube         |                                       |
|           |                | 1             | 432 1607-04 | Rear gable   | Bakgavel     | Level tube             |                                       |
|           |                | 1             | 432 1607-05 | Rear gable   | Bakgavel     | DBS                    |                                       |
|           |                | 1             | 432 1607-07 | Rear gable   | Bakgavel     | MOP Complete           |                                       |
|           |                | 1             | 432 1608-01 | Rear gable   | Bakgavel     | Without<br>lubrication |                                       |
|           |                | 1             | 432 1608-03 | Rear gable   | Bakgavel     | Level tube             |                                       |
|           |                | 1             | 432 1608-07 | Rear gable   | Bakgavel     | MOP Complete           |                                       |
|           |                | 1             | 432 1609-01 | Rear gable   | Bakgavel     | Without<br>lubrication |                                       |
|           | 1              | 432 1609-04   | Rear gable  | Bakgavel     | Level tube   |                        |                                       |
|           | 1              | 432 1609-07   | Rear gable  | Bakgavel     | MOP Complete |                        |                                       |
| 3         |                | 1             | 432 1609-51 | Rear gable   | Bakgavel     | Complete               |                                       |
|           |                | 1             | 432 1609-52 | Rear gable   | Bakgavel     | With level tube        |                                       |
|           |                | 1             | 432 1609-53 | Rear gable   | Bakgavel     | MOP Complete           |                                       |
|           | 1              | 1             | 432 1500-11 | •Inner drum  | •Innertrumma |                        |                                       |
|           |                | 1             | 432 1500-15 | •Inner drum  | •Innertrumma | MOP                    |                                       |
|           |                | 1             | 432 1501-01 | •Inner drum  | •Innertrumma |                        |                                       |
|           |                | 1             | 432 1501-05 | •Inner drum  | •Innertrumma | MOP                    |                                       |
|           |                | 1             | 432 1502-01 | •Inner drum  | •Innertrumma |                        |                                       |
|           |                | 1             | 432 1502-03 | •Inner drum  | •Innertrumma | DBS                    |                                       |
|           |                | 1             | 432 1502-05 | •Inner drum  | •Innertrumma | MOP                    |                                       |
|           | 1              | 432 1503-01   | •Inner drum | •Innertrumma |              |                        |                                       |



**W575H Compass,W5105H Compass,W5130H Compass,W5180H Compass,W5240H Compass,W5300H Compass**

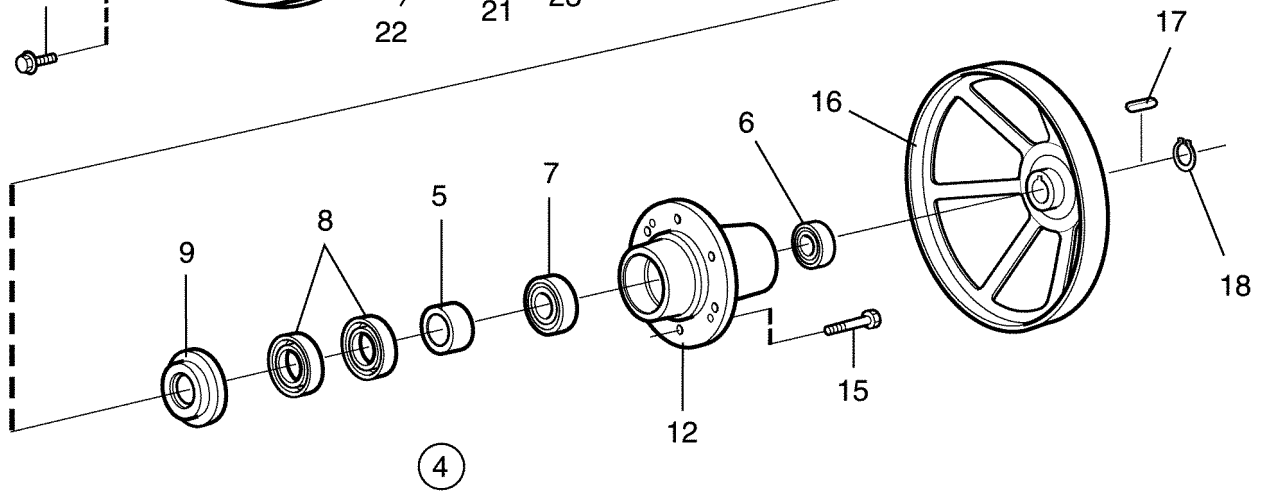
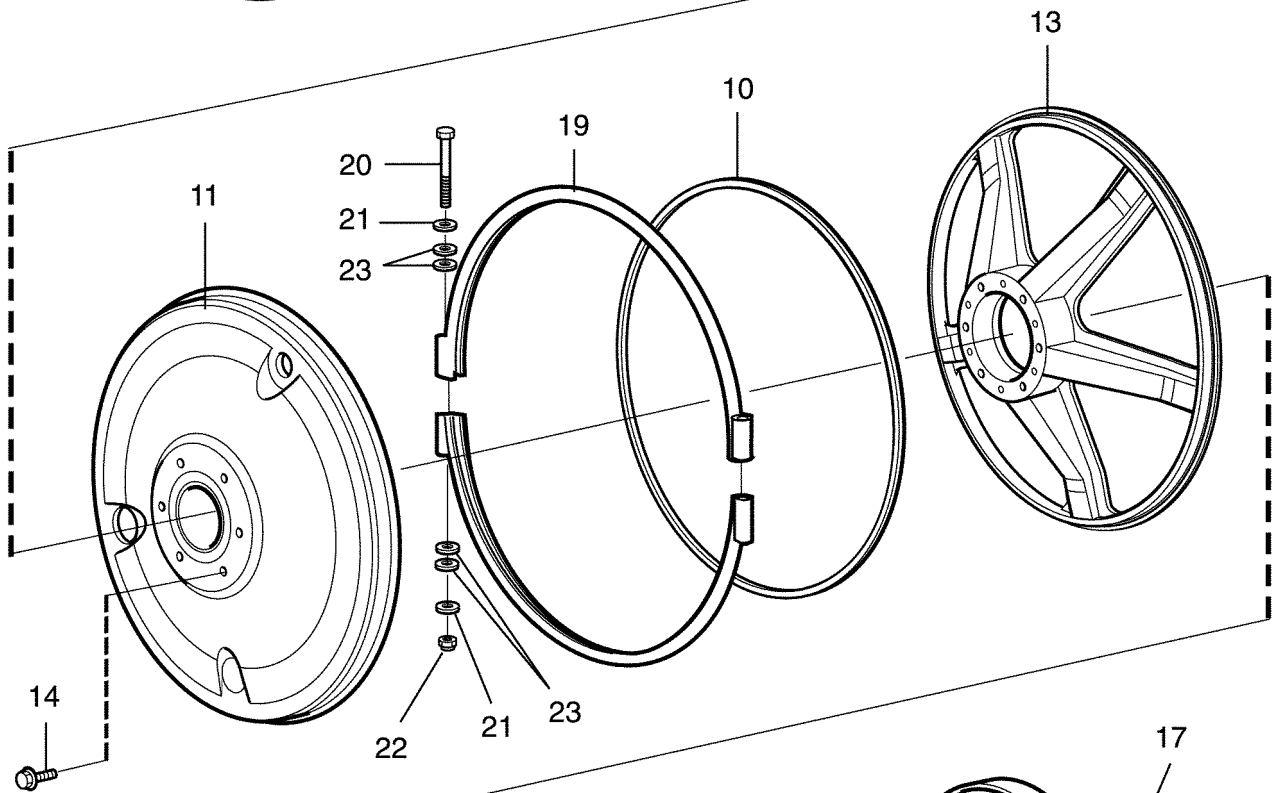
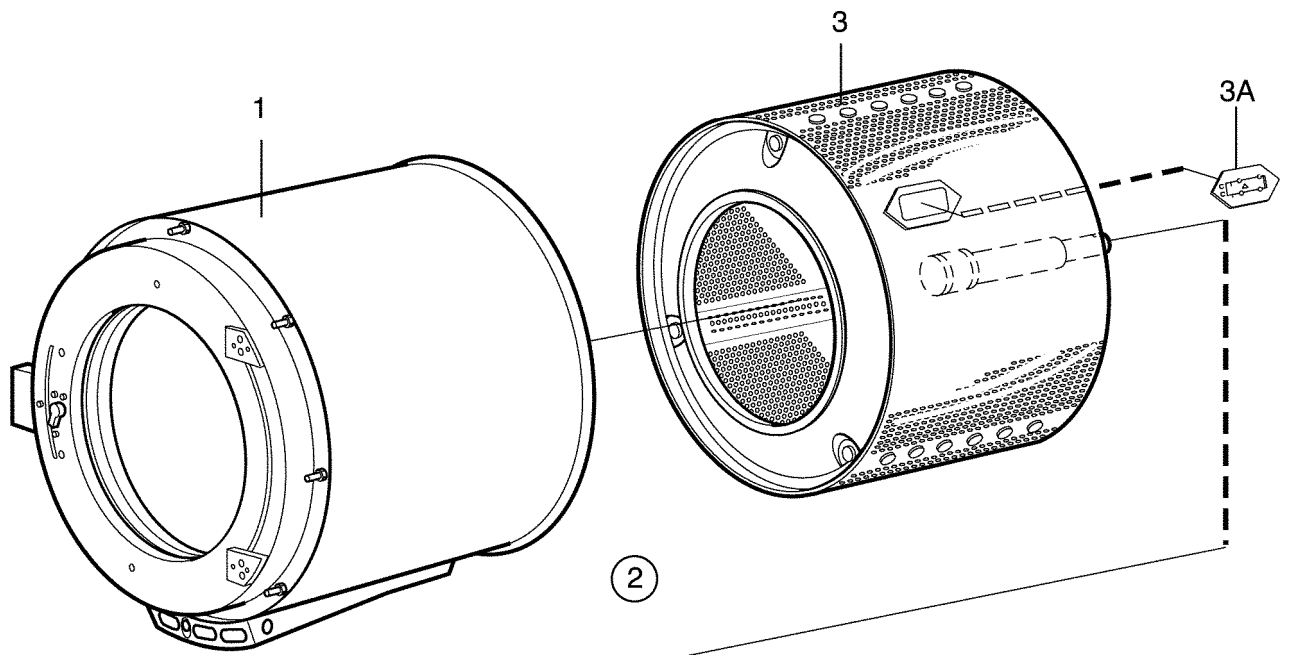
**Drum, rear gable**

Illustration Issue Month Year  
Illustration Utgåva Månad År

**Trumma,bakgavel**

**500281 2 3 2015**

| Item Pos. | Quantity Antal |   | Art.No Art.nr | Description | Benämning   | Info Info | Notes Anmärkning |                  |          |
|-----------|----------------|---|---------------|-------------|-------------|-----------|------------------|------------------|----------|
|           | W575H Compass  |   |               |             |             |           |                  |                  |          |
|           | W5105H Compass |   |               |             |             |           |                  |                  |          |
|           | W5130H Compass |   |               |             |             |           |                  |                  |          |
|           | W5180H Compass |   |               |             |             |           |                  |                  |          |
|           | W5240H Compass |   |               |             |             |           |                  |                  |          |
|           | W5300H Compass |   |               |             |             |           |                  |                  |          |
|           |                | 1 |               | 432 1503-05 | •Inner drum |           | MOP              |                  |          |
|           |                | 1 |               | 432 1504-01 | •Inner drum |           |                  |                  |          |
|           |                | 1 |               | 432 1504-05 | •Inner drum |           | MOP              |                  |          |
|           |                | 1 |               | 432 1504-41 | •Inner drum |           |                  |                  |          |
|           |                | 1 |               | 432 1504-42 | •Inner drum |           | MOP              |                  |          |
| 3A        | 1              | 1 | 2             | 2           | 2           | 2         | 472 9768-01      | •Door            |          |
| 4         | 1              |   |               |             |             |           | 472 9913-12      | •Repair kit      |          |
|           |                | 1 |               |             |             |           | 472 9913-13      | •Repair kit      |          |
|           |                |   | 1             |             |             |           | 472 9913-17      | •Repair kit      |          |
|           |                |   |               | 1           |             |           | 472 9913-18      | •Repair kit      |          |
|           |                |   |               |             | 1           |           | 472 9913-19      | •Repair kit      |          |
| 5         | 1              | 1 | 1             | 1           | 1           | 1         | 472 9913-64      | •Repair kit      |          |
| 6         | 1              | 1 | 1             | 1           | 1           | 1         |                  | •Bushing         |          |
| 7         | 1              | 1 | 1             | 1           | 1           | 1         |                  | •Ball bearing    |          |
| 8         | 2              | 2 | 2             | 2           | 2           | 2         |                  | •Ball bearing    |          |
| 9         | 1              | 1 | 1             | 1           | 1           | 1         |                  | •Sealing ring    |          |
| 10        | 1              |   |               |             |             |           |                  | •Sealing ring    |          |
|           |                | 1 |               |             |             |           | 438 8155-01      | •Seal            |          |
|           |                |   | 1             |             |             |           | 438 8155-02      | •Seal            |          |
|           |                |   |               | 1           |             |           | 438 8155-03      | •Seal            |          |
|           |                |   |               |             | 1           |           | 438 8155-04      | •Seal            |          |
|           |                |   |               |             |             | 1         | 438 8155-05      | •Seal            |          |
| 11        | 1              |   |               |             |             |           | 432 1545-01      | •Lining          |          |
|           | 1              |   |               |             |             |           | 432 1655-01      | •Lining          |          |
|           |                | 1 |               |             |             |           | 432 1546-01      | •Lining          | Gas      |
|           |                |   | 1             |             |             |           | 432 1656-01      | •Lining          | Gas      |
|           |                |   |               | 1           |             |           | 432 1547-01      | •Lining          |          |
|           |                |   |               |             | 1           |           | 432 1548-01      | •Lining          |          |
| 12        | 1              |   |               |             | 1           | 1         | 432 1549-01      | •Lining          |          |
|           |                | 1 |               |             |             |           | 432 1560-01      | •Bearing housing |          |
|           |                |   | 1             |             |             |           | 432 1561-01      | •Bearing housing |          |
|           |                |   |               | 1           |             |           | 432 1562-01      | •Bearing housing |          |
|           |                |   |               |             | 1           |           | 432 1563-01      | •Bearing housing |          |
|           |                |   |               |             |             | 1         | 432 1564-01      | •Bearing housing |          |
| 13        | 1              |   |               |             |             | 1         | 432 1589-01      | •Bearing housing |          |
|           |                | 1 |               |             |             |           | 432 1540-01      | •End piece       |          |
|           |                |   | 1             |             |             |           | 432 1541-01      | •End piece       |          |
|           |                |   |               | 1           |             |           | 432 1542-01      | •End piece       |          |
|           |                |   |               |             | 1           |           | 432 1543-01      | •End piece       |          |
|           |                |   |               |             |             | 1         | 432 1544-01      | •End piece       |          |
| 14        | 6              | 8 | 8             | 10          | 10          | 10        | 471 8323-01      | •Screw           | M6X12    |
| 15        | 6              | 8 | 8             | 10          | 10          | 10        | 471 8328-02      | •Screw           | M12X50   |
| 16        | 1              |   |               |             |             |           | 432 1550-01      | •Pulley          |          |
|           |                | 1 |               |             |             |           | 432 1551-01      | •Pulley          |          |
|           |                |   | 1             |             |             |           | 432 1552-01      | •Pulley          |          |
|           |                |   |               | 1           |             |           | 432 1553-01      | •Pulley          |          |
|           |                |   |               |             | 1           | 1         | 432 1554-01      | •Pulley          |          |
| 17        | 1              |   |               |             |             |           | 735 9370-01      | •Wedge           | 10x8x45  |
|           |                | 1 | 1             |             |             |           | 735 9501-01      | •Wedge           | 14x9x50  |
|           |                |   |               | 1           | 1           | 1         | 735 9630-01      | •Wedge           | 18x11x63 |
| 18        | 1              |   |               |             |             |           | 735 3133-00      | •C-clamp         | SGA35    |
|           |                | 1 | 1             |             |             |           | 735 3139-00      | •C-clamp         | SGA 45   |
|           |                |   |               | 1           |             |           | 735 3144-00      | •C-clamp         | SgA55    |





**W575H Compass,W5105H Compass,W5130H Compass,W5180H Compass,W5240H Compass,W5300H Compass**

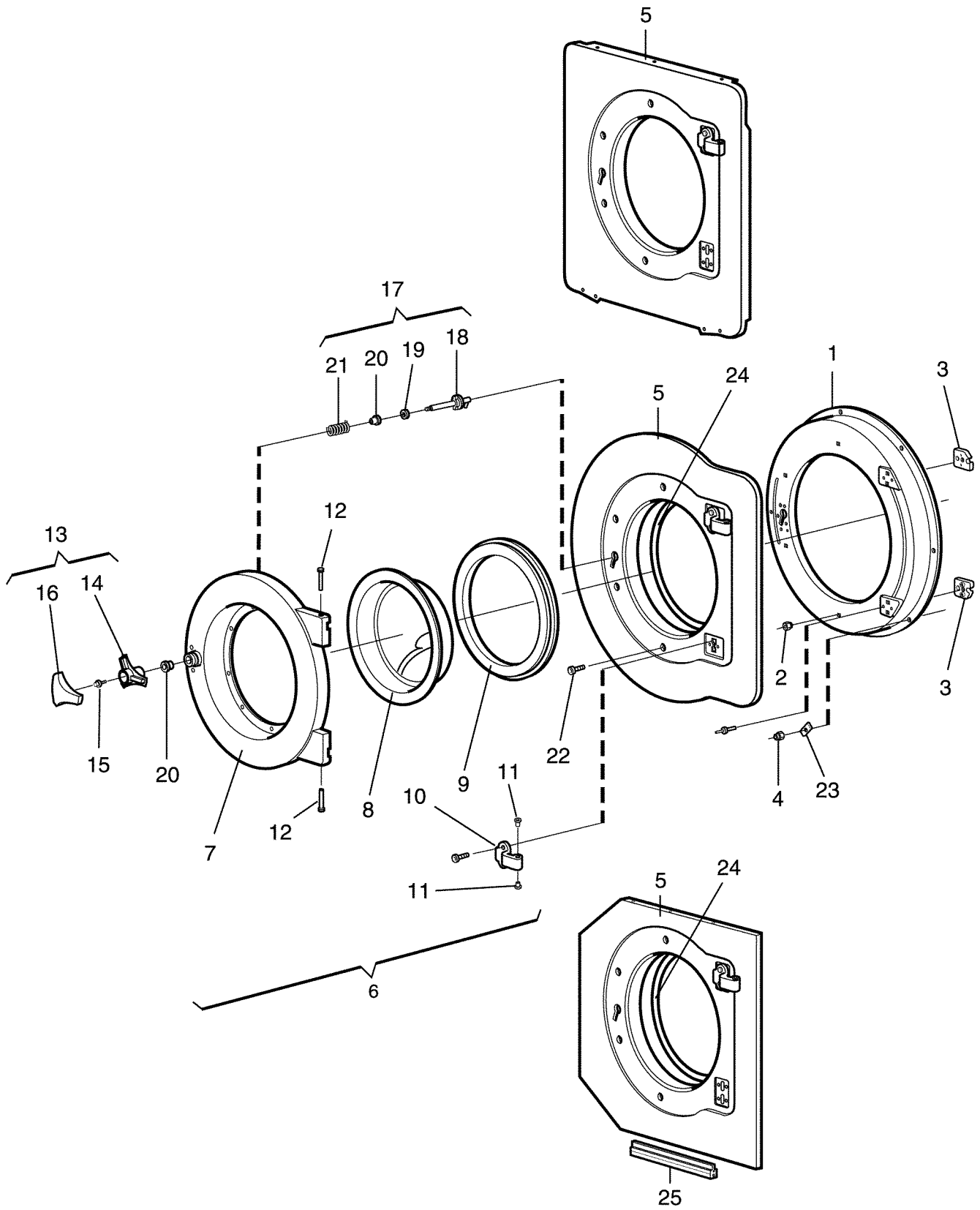
**Drum, rear gable**

Illustration Issue Month Year  
Illustration Utgåva Månad År

**Trumma,bakgavel**

**500281 2 3 2015**

| Item Pos. | Quantity Antal |    | Art.No Art.nr | Description        | Benämning          | Info Info     | Notes Anmärkning                       |        |
|-----------|----------------|----|---------------|--------------------|--------------------|---------------|--|--------|
| <b>19</b> | W575H Compass  |    |               |                    |                    |               |  |        |
|           | W5105H Compass |    |               |                    |                    |               |  |        |
|           | W5130H Compass |    |               |                    |                    |               |  |        |
|           | W5180H Compass |    |               |                    |                    |               |  |        |
|           | W5240H Compass |    |               |                    |                    |               |  |        |
|           | W5300H Compass |    |               |                    |                    |               |  |        |
|           |                |    | 1             | 1                  | <b>735 3147-00</b> | •C-clamp      | •Spårring                              | SGA 60 |
|           |                | 2  |               |                    | <b>432 1565-01</b> | Tension strap | Spännband                              |        |
|           |                |    | 2             |                    | <b>432 1566-01</b> | Tension strap | Spännband                              |        |
|           |                |    |               | 2                  | <b>432 1567-01</b> | Tension strap | Spännband                              |        |
|           |                |    | 2             | <b>432 1568-01</b> | Tension strap      | Spännband     |  |        |
|           |                |    | 2             | <b>432 1569-01</b> | Tension strap      | Spännband     |  |        |
| <b>20</b> | 2              | 2  | 2             | <b>471 9222-59</b> | Screw              | Skruv         |  |        |
| <b>21</b> | 4              | 4  | 4             | <b>471 8502-14</b> | Washer             | Bricka        |  |        |
| <b>22</b> | 2              | 2  | 2             | <b>732 2118-01</b> | Locking nut        | Låsmutter     |  |        |
| <b>23</b> | Rq             | Rq | Rq            | Rq                 | Rq                 | Rq            | M8X140<br>BRB 8,4X17<br>M8<br>Not used |        |



**W575H Compass,W5105H Compass,W5130H Compass,W5180H Compass,W5240H Compass,W5300H Compass**

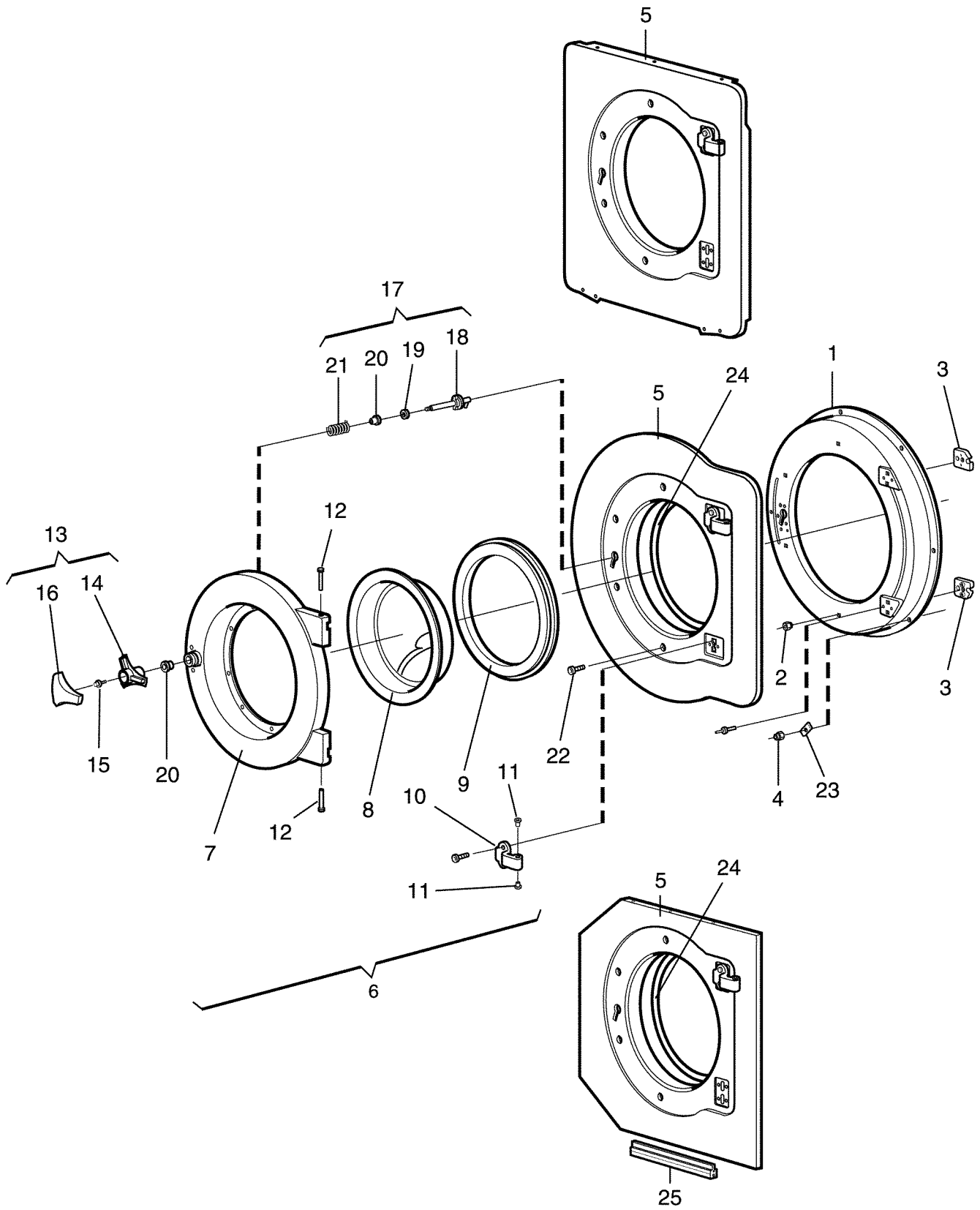
**Door and hinged joint**

Illustration Issue Month Year  
Illustration Utgåva Månad År

**Lucka och gångled**

**500282 3 12 2014**

| Item Pos. | Quantity Antal                |   |    |    |    |  | Art.No Art.nr | Description   | Benämning     | Info Info | Notes Anmärkning          |
|-----------|-------------------------------|---|----|----|----|--|---------------|---------------|---------------|-----------|---------------------------|
|           | W575H Compass                 |   |    |    |    |  |               |               |               |           |                           |
|           | W5105H Compass                |   |    |    |    |  |               |               |               |           |                           |
|           | W5130H Compass                |   |    |    |    |  |               |               |               |           |                           |
|           | W5180H Compass                |   |    |    |    |  |               |               |               |           |                           |
|           | W5240H Compass,W5300H Compass |   |    |    |    |  |               |               |               |           |                           |
| 1         | 1                             |   |    |    |    |  | 432 1870-01   | Support frame | Fästplatta    |           |                           |
|           |                               | 1 |    |    |    |  | 432 1871-01   | Support frame | Fästplatta    |           |                           |
|           |                               |   | 1  |    |    |  | 432 1872-01   | Support frame | Fästplatta    |           |                           |
|           |                               |   |    | 1  |    |  | 432 1873-01   | Support frame | Fästplatta    |           |                           |
|           |                               |   |    |    | 1  |  | 432 1874-01   | Support frame | Fästplatta    |           |                           |
| 2         | 4                             | 4 | 4  | 4  | 4  |  | 471 8458-02   | Nut           | Mutter        |           | M6                        |
| 3         | 2                             | 2 | 4  | 4  | 4  |  | 432 1951-01   | •Bracket      | •Fäste        |           |                           |
| 4         | 9                             | 9 | 11 | 11 | 11 |  | 471 8404-02   | Locking nut   | Låsmutter     |           | M6                        |
| 5         | 1                             |   |    |    |    |  | 432 1885-03   | Trim panel    | Dekorplåt     |           |                           |
|           | 1                             |   |    |    |    |  | 432 1885-11   | Trim panel    | Dekorplåt     |           | Stainless                 |
|           |                               | 1 |    |    |    |  | 432 1886-02   | Trim panel    | Dekorplåt     |           |                           |
|           |                               | 1 |    |    |    |  | 432 1886-11   | Trim panel    | Dekorplåt     |           | Stainless                 |
|           |                               |   | 1  |    |    |  | 432 1887-03   | Trim panel    | Dekorplåt     |           |                           |
|           |                               |   | 1  |    |    |  | 432 1887-04   | Trim panel    | Dekorplåt     |           | With coin meter           |
|           |                               |   | 1  |    |    |  | 432 1887-11   | Trim panel    | Dekorplåt     |           | Stainless                 |
|           |                               |   | 1  |    |    |  | 432 1887-12   | Trim panel    | Dekorplåt     |           | Stainless With coin meter |
|           |                               |   |    | 1  | 1  |  | 432 1888-04   | Trim panel    | Dekorplåt     |           |                           |
|           |                               |   |    | 1  | 1  |  | 432 1888-05   | Trim panel    | Dekorplåt     |           | With coin meter           |
|           |                               |   |    | 1  | 1  |  | 432 1888-11   | Trim panel    | Dekorplåt     |           | Stainless                 |
|           |                               |   |    | 1  | 1  |  | 432 1888-12   | Trim panel    | Dekorplåt     |           | Stainless With coin meter |
| 6         | 1                             |   |    |    |    |  | 472 9953-01   | Door          | Lucka         |           | Complete                  |
|           |                               | 1 |    |    |    |  | 472 9953-02   | Door          | Lucka         |           | Complete                  |
|           |                               |   | 1  |    |    |  | 472 9953-03   | Door          | Lucka         |           | Complete                  |
|           |                               |   |    | 1  | 1  |  | 472 9953-04   | Door          | Lucka         |           | Complete                  |
|           |                               |   |    | 1  | 1  |  | 413 4312-02   | Door          | Lucka         |           | Complete Lagoon           |
| 7         | 1                             |   |    |    |    |  | •Door         | •Door         | •Lucka        |           |                           |
|           |                               | 1 |    |    |    |  | •Door         | •Door         | •Lucka        |           |                           |
|           |                               |   | 1  |    |    |  | •Door         | •Door         | •Lucka        |           |                           |
|           |                               |   |    | 1  | 1  |  | •Door         | •Door         | •Lucka        |           |                           |
| 8         | 1                             |   |    |    |    |  | 432 1855-01   | •Door glass   | •Luckglas     |           |                           |
|           |                               | 1 |    |    |    |  | 432 1856-01   | •Door glass   | •Luckglas     |           |                           |
|           |                               |   | 1  |    |    |  | 432 1857-01   | •Door glass   | •Luckglas     |           |                           |
|           |                               |   | 1  |    |    |  | 432 1857-02   | •Door glass   | •Luckglas     |           | Lagoon/<br>AquaClean      |
|           |                               |   |    | 1  | 1  |  | 432 1858-01   | •Door glass   | •Luckglas     |           |                           |
|           |                               |   |    | 1  | 1  |  | 432 1858-02   | •Door glass   | •Luckglas     |           | Lagoon/<br>AquaClean      |
| 9         | 1                             |   |    |    |    |  | 432 1840-02   | •Door gasket  | •Luckpackning |           | Black                     |
|           | 1                             |   |    |    |    |  | 432 1840-03   | •Door gasket  | •Luckpackning |           | EPDM Grey                 |
|           |                               | 1 |    |    |    |  | 432 1841-02   | •Door gasket  | •Luckpackning |           | Black                     |
|           |                               |   | 1  |    |    |  | 432 1841-04   | •Door gasket  | •Luckpackning |           | Silicon Grey              |
|           |                               |   | 1  |    |    |  | 432 1842-02   | •Door gasket  | •Luckpackning |           | Black                     |
|           |                               |   | 1  |    |    |  | 432 1842-03   | •Door gasket  | •Luckpackning |           | EPDM Grey                 |
|           |                               |   |    | 1  | 1  |  | 432 1843-02   | •Door gasket  | •Luckpackning |           | Black                     |
|           |                               |   |    | 1  | 1  |  | 432 1843-04   | •Door gasket  | •Luckpackning |           | Silicon Grey              |
| 10        | 2                             | 2 | 2  | 4  | 4  |  | 432 1950-02   | •Hinged joint | •Gångled      |           |                           |
| 11        | 4                             | 4 | 4  | 8  | 8  |  | 438 4062-01   | •Bushing      | •Bussning     |           |                           |
| 12        | 2                             | 2 |    |    |    |  | 432 1961-01   | •Pin          | •Tapp         |           |                           |
|           |                               |   | 2  | 2  | 2  |  | 432 1962-01   | •Pin          | •Tapp         |           |                           |
| 13        | 1                             | 1 | 1  | 1  | 1  |  | 472 9957-01   | •Knob         | •Vred         |           | Complete                  |
| 14        | 1                             | 1 | 1  | 1  | 1  |  | •Knob         | ••Vred        |               |           | Complete                  |
| 15        | 1                             | 1 | 1  | 1  | 1  |  | 725 2366-61   | ••Screw       | ••Skruv       |           | M6SF 6X12                 |



**W575H Compass,W5105H Compass,W5130H Compass,W5180H Compass,W5240H Compass,W5300H Compass**

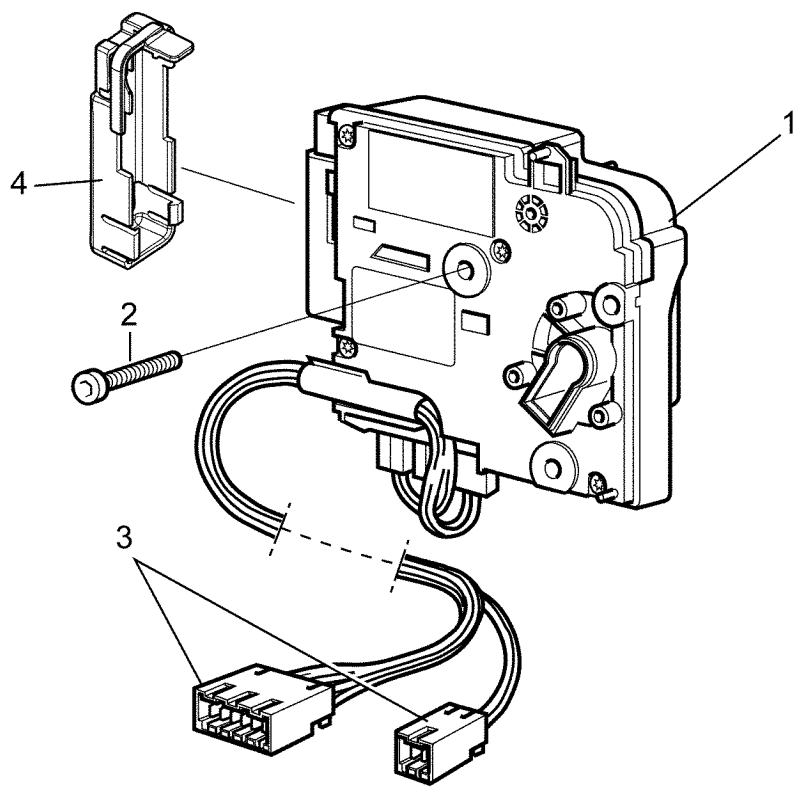
**Door and hinged joint**

Illustration Issue Month Year  
Illustration Utgåva Månad År

**Lucka och gångled**

**500282 3 12 2014**

| Item Pos. | Quantity Antal                |    |    |    |    | Art.No Art.nr | Description      | Benämning    | Info Info | Notes Anmärkning |
|-----------|-------------------------------|----|----|----|----|---------------|------------------|--------------|-----------|------------------|
|           | W575H Compass                 |    |    |    |    |               |                  |              |           |                  |
|           | W5105H Compass                |    |    |    |    |               |                  |              |           |                  |
|           | W5130H Compass                |    |    |    |    |               |                  |              |           |                  |
|           | W5180H Compass                |    |    |    |    |               |                  |              |           |                  |
|           | W5240H Compass,W5300H Compass |    |    |    |    |               |                  |              |           |                  |
| 16        | 1                             | 1  | 1  | 1  | 1  | 432 2270-02   | ••Knob           | ••Vred       |           |                  |
| 17        | 1                             | 1  | 1  | 1  | 1  | 472 9920-01   | •Lock shaft      | •Låsaxel     |           | Complete         |
| 18        | 1                             | 1  | 1  | 1  | 1  |               | ••Lock shaft     | ••Låsaxel    |           |                  |
| 19        | 1                             | 1  | 1  | 1  | 1  |               | ••Washer         | ••Bricka     |           |                  |
| 20        | 2                             | 2  | 2  | 2  | 2  |               | ••Bushing        | ••Bussning   |           |                  |
| 21        | 1                             | 1  | 1  | 1  | 1  |               | ••Torsion spring | ••Vridfjäder |           |                  |
| 22        | 4                             | 4  | 8  | 8  | 8  | 471 8344-36   | Screw            | Skruv        |           |                  |
| 23        |                               |    | 11 | 11 | 11 | 471 8527-01   | Spring washer    | Fjäderbricka |           |                  |
| 24        | Rq                            | Rq | Rq | Rq | Rq |               |                  |              |           | Not used         |
| 25        | Rq                            | Rq | Rq | Rq | Rq |               |                  |              |           | Not used         |



**W575H Compass,W5105H Compass,W5130H Compass,W5180H Compass,W5240H Compass,W5300H Compass**

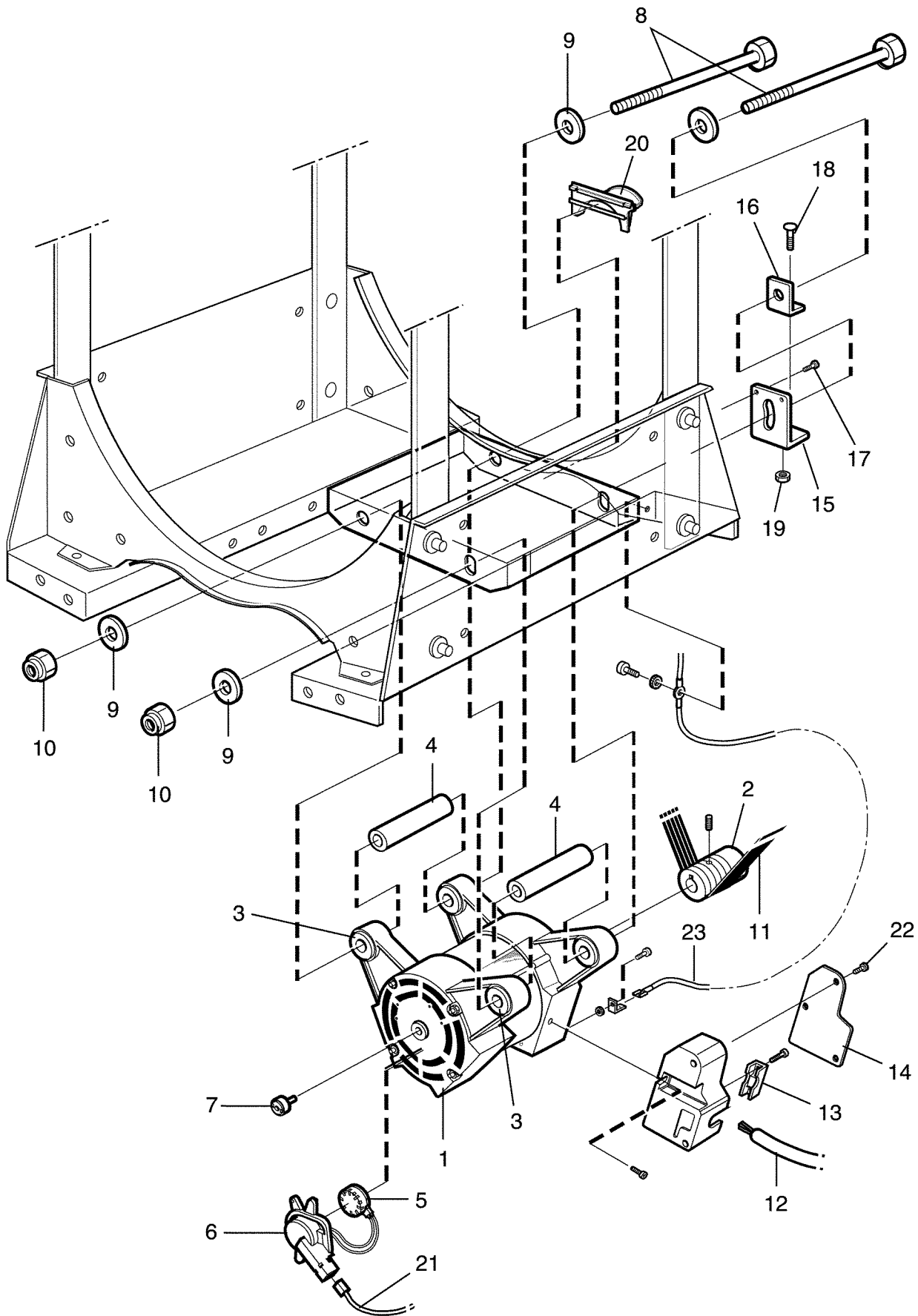
**Door lock**

Illustration Issue Month Year  
Illustration Utgåva Månad År

**Lucklås**

**500489 1 4 2013**

| Item Pos. | Quantity Antal |   |   |   |   |   |   | Art.No Art.nr | Description         | Benämning    | Info Info | Notes Anmärkning |
|-----------|----------------|---|---|---|---|---|---|---------------|---------------------|--------------|-----------|------------------|
|           | W575H Compass  |   |   |   |   |   |   |               |                     |              |           |                  |
|           | W5105H Compass |   |   |   |   |   |   |               |                     |              |           |                  |
|           | W5130H Compass |   |   |   |   |   |   |               |                     |              |           |                  |
|           | W5180H Compass |   |   |   |   |   |   |               |                     |              |           |                  |
|           | W5240H Compass |   |   |   |   |   |   |               |                     |              |           |                  |
|           | W5300H Compass |   |   |   |   |   |   |               |                     |              |           |                  |
| 1         | 1              | 1 | 1 | 1 | 1 | 1 | 1 | 438 9561-01   | Door locking device | Lucklås      |           | Complete M6X25   |
| 2         | 3              | 3 | 3 | 3 | 3 | 3 | 3 | 471 8342-47   | Screw               | Skruv        |           |                  |
| 3         | 1              | 1 | 1 | 1 | 1 | 1 | 1 | 432 2905-27   | Cable set           | Ledningssats |           |                  |
|           |                | 1 | 1 | 1 | 1 | 1 | 1 | 432 2905-29   | Cable set           | Ledningssats |           |                  |
|           |                |   | 1 | 1 | 1 | 1 | 1 | 432 2905-31   | Cable set           | Ledningssats |           |                  |
|           |                |   |   | 1 | 1 | 1 | 1 | 432 2905-33   | Cable set           | Ledningssats |           |                  |
|           |                |   |   |   | 1 | 1 | 1 | 432 2905-35   | Cable set           | Ledningssats |           |                  |
| 4         | 1              | 1 | 1 | 1 | 1 | 1 | 1 | 432 1982-01   | Cover               | Skydd        |           | Not used         |





**W575H Compass,W5105H Compass,W5130H Compass,W5180H Compass,W5240H Compass,W5300H Compass**

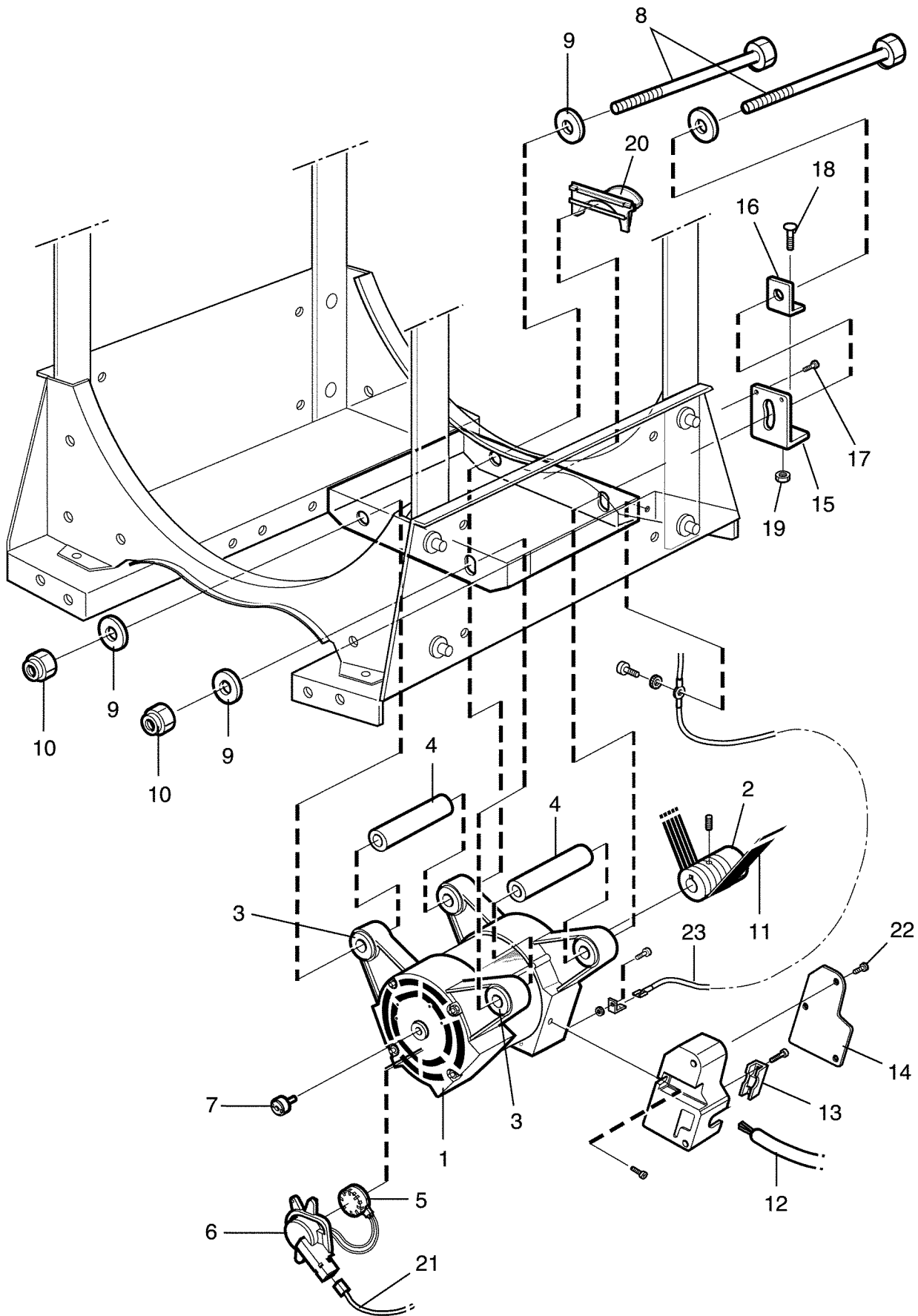
**Motor**

Illustration Issue Month Year  
Illustration Utgåva Månad År

**Motor**

**500284 3 3 2014**

| Item Pos. | Quantity Antal | Art.No Art.nr | Description     | Benämning      | Info Info | Notes Anmärkning        |
|-----------|----------------|---------------|-----------------|----------------|-----------|-------------------------|
|           |                |               | W575H Compass   |                |           |                         |
|           |                |               | W5105H Compass  |                |           |                         |
|           |                |               | W5130H Compass  |                |           |                         |
|           |                |               | W5180H Compass  |                |           |                         |
|           |                |               | W5240H Compass  |                |           |                         |
|           |                |               | W5300H Compass  |                |           |                         |
| 1         | 1              | 413 9701-31   | Motor           | Motor          |           | Complete                |
|           | 1              | 438 9702-71   | Motor           | Motor          |           | Complete                |
|           | 1              | 438 9703-21   | Motor           | Motor          |           | Complete                |
|           | 1              | 438 9705-61   | Motor           | Motor          |           | Complete                |
|           | 1              | 438 9705-71   | Motor           | Motor          |           | Complete                |
|           | 1              | 438 9705-21   | Motor           | Motor          |           | Complete                |
| 2         | 1              |               | •Pulley         | •Remskiva      |           |                         |
|           | 1              |               | •Pulley         | •Remskiva      |           |                         |
|           | 1              |               | •Pulley         | •Remskiva      |           |                         |
|           | 1              |               | •Pulley         | •Remskiva      |           |                         |
|           | 1              |               | •Pulley         | •Remskiva      |           |                         |
|           | 1              |               | •Pulley         | •Remskiva      |           |                         |
| 3         | 4              | 438 8172-01   | •Rubber bushing | •Gummibussning |           |                         |
|           | 4              | 438 8158-01   | •Rubber bushing | •Gummibussning |           |                         |
|           | 4              | 438 8158-02   | •Rubber bushing | •Gummibussning |           |                         |
| 4         | 2              | 438 5124-05   | •Pipe           | •Rör           |           |                         |
|           | 2              | 432 0641-01   | •Pipe           | •Rör           |           |                         |
| 5         | 1              | 471 8826-01   | •Tacho sensor   | •Tachogivare   |           |                         |
| 6         | 1              | 432 1229-01   | •Cover          | •Kåpa          |           |                         |
| 7         | 1              | 471 8827-01   | •Magnet         | •Magnet        |           |                         |
| 8         | 2              | 471 8356-14   | Screw           | Skruv          |           | M8x190                  |
|           | 2              | 471 8356-05   | Screw           | Skruv          |           | M12x240                 |
|           | 2              | 471 8356-06   | Screw           | Skruv          |           | M12x260                 |
|           | 2              | 471 8356-08   | Screw           | Skruv          |           | M12X300                 |
| 9         | 4              | 471 8502-14   | Washer          | Bricka         |           | BRB 8,4X17              |
|           | 4              | 471 8502-10   | Washer          | Bricka         |           | 12x35                   |
|           | 4              | 471 8502-00   | Washer          | Bricka         |           |                         |
|           | 4              | 471 8502-10   | Washer          | Bricka         |           | 12x35                   |
|           | 4              | 734 1178-01   | Washer          | Bricka         |           | BRB 13X24               |
| 10        | 2              | 732 2118-01   | Locking nut     | Låsmutter      |           | M8                      |
|           | 2              | 732 2122-01   | Locking nut     | Låsmutter      |           | M12                     |
| 11        | 1              | 471 7711-13   | Ribbed belt     | Poly-V-rem     |           |                         |
|           | 1              | 471 7711-07   | Ribbed belt     | Poly-V-rem     |           |                         |
|           | 1              | 471 7711-12   | Ribbed belt     | Poly-V-rem     |           |                         |
|           | 1              | 471 7705-02   | Ribbed belt     | Poly-V-rem     |           |                         |
|           | 1              | 471 7705-03   | Ribbed belt     | Poly-V-rem     |           |                         |
| 12        | 1              | 432 2990-01   | Cable set       | Ledningsatts   |           |                         |
|           | 1              | 432 2990-02   | Cable set       | Kabelsats      |           |                         |
|           | 1              | 432 2991-01   | Cable set       | Ledningsatts   |           |                         |
| 13        | 1              | 438 9799-02   | Clamp           | Klamma         |           |                         |
| 14        | 1              | 438 9799-03   | Cover           | Lock           |           |                         |
| 15        | Rq             |               |                 |                |           | Not used                |
| 16        | Rq             | 432 1454-01   | Belt tensioner  | Remspännare    |           | Not used                |
| 17        | Rq             | 432 1455-01   | Washer          | Bricka         |           |                         |
| 18        | Rq             | 471 8342-23   | Screw           | Skruv          |           | Not used<br>MRT-TT 5X10 |
| 19        | Rq             | 471 8322-03   | Screw           | Skruv          |           | Not used<br>M8X50       |
| 20        | Rq             | 732 2118-01   | Locking nut     | Låsmutter      |           | Not used<br>M8          |
|           | Rq             | 432 1473-01   | Drip guard      | Droppskydd     |           | Not used                |



**W575H Compass,W5105H Compass,W5130H Compass,W5180H Compass,W5240H Compass,W5300H Compass**

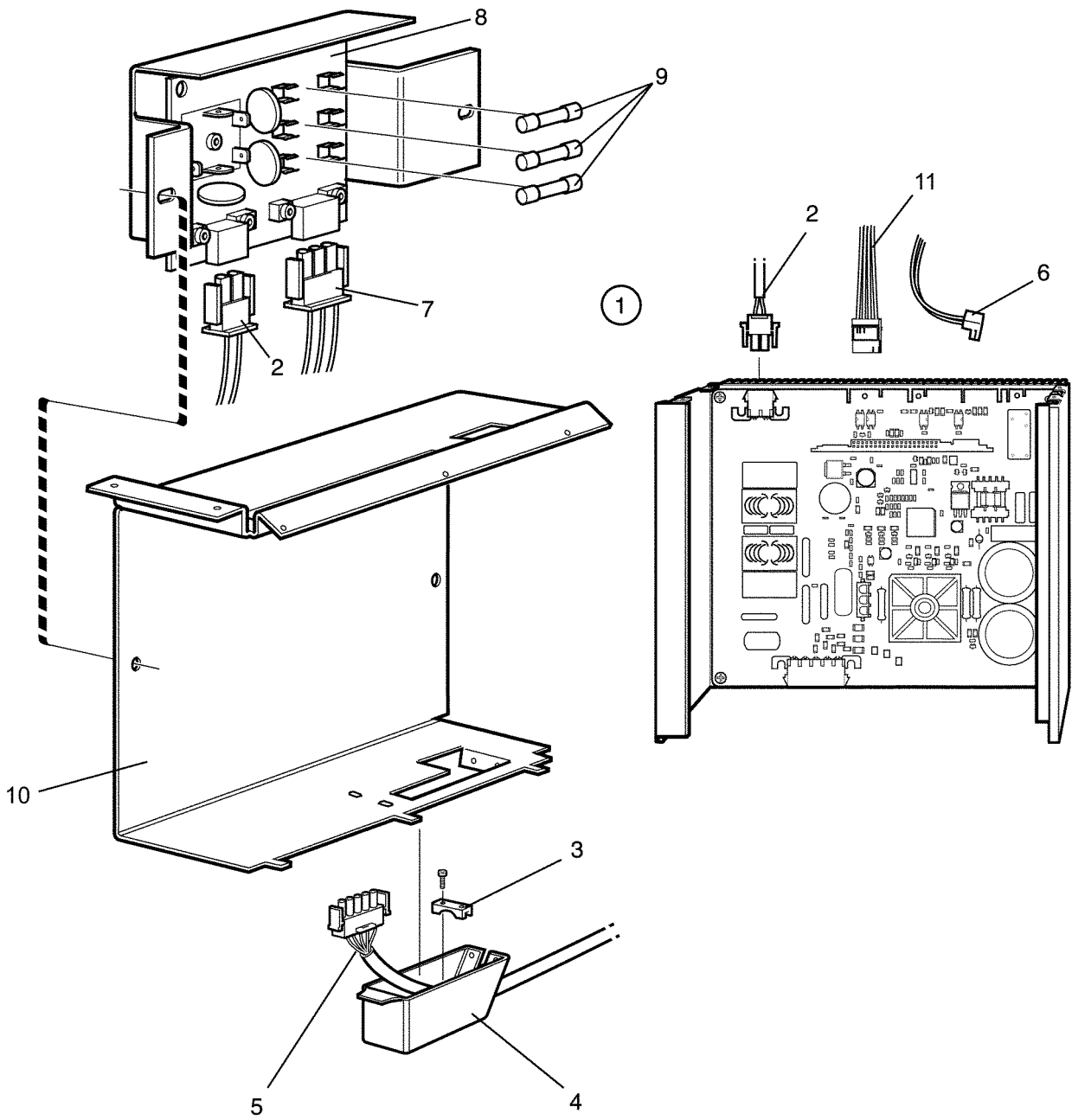
**Motor**

Illustration Issue Month Year  
Illustration Utgåva Månad År

**Motor**

**500284 3 3 2014**

| Item Pos. | Quantity Antal |   | Art.No Art.nr |   | Description | Benämning | Info Info          | Notes Anmärkning |              |                        |
|-----------|----------------|---|---------------|---|-------------|-----------|--------------------|------------------|--------------|------------------------|
|           | W575H Compass  |   |               |   |             |           |                    |                  |              |                        |
|           | W5105H Compass |   |               |   |             |           |                    |                  |              |                        |
|           | W5130H Compass |   |               |   |             |           |                    |                  |              |                        |
|           | W5180H Compass |   |               |   |             |           |                    |                  |              |                        |
|           | W5240H Compass |   |               |   |             |           |                    |                  |              |                        |
|           | W5300H Compass |   |               |   |             |           |                    |                  |              |                        |
| <b>21</b> | 1              | 1 | 1             | 1 | 1           | 1         |                    | Cable set        | Ledningssats | See illustr.<br>500489 |
| <b>22</b> | 3              | 3 | 3             | 3 | 3           | 3         | <b>471 8342-13</b> | Screw            | Skruv        | MRT-TT 4X10            |
| <b>23</b> | 1              | 1 |               |   |             |           | <b>432 2983-01</b> | Cable set        | Ledningssats | Main switch            |
|           |                |   | 1             | 1 | 1           | 1         | <b>432 2983-02</b> | Cable set        | Ledningssats | Main switch            |



**W575H Compass,W5105H Compass,W5130H Compass,W5180H Compass,W5240H Compass,W5300H Compass**

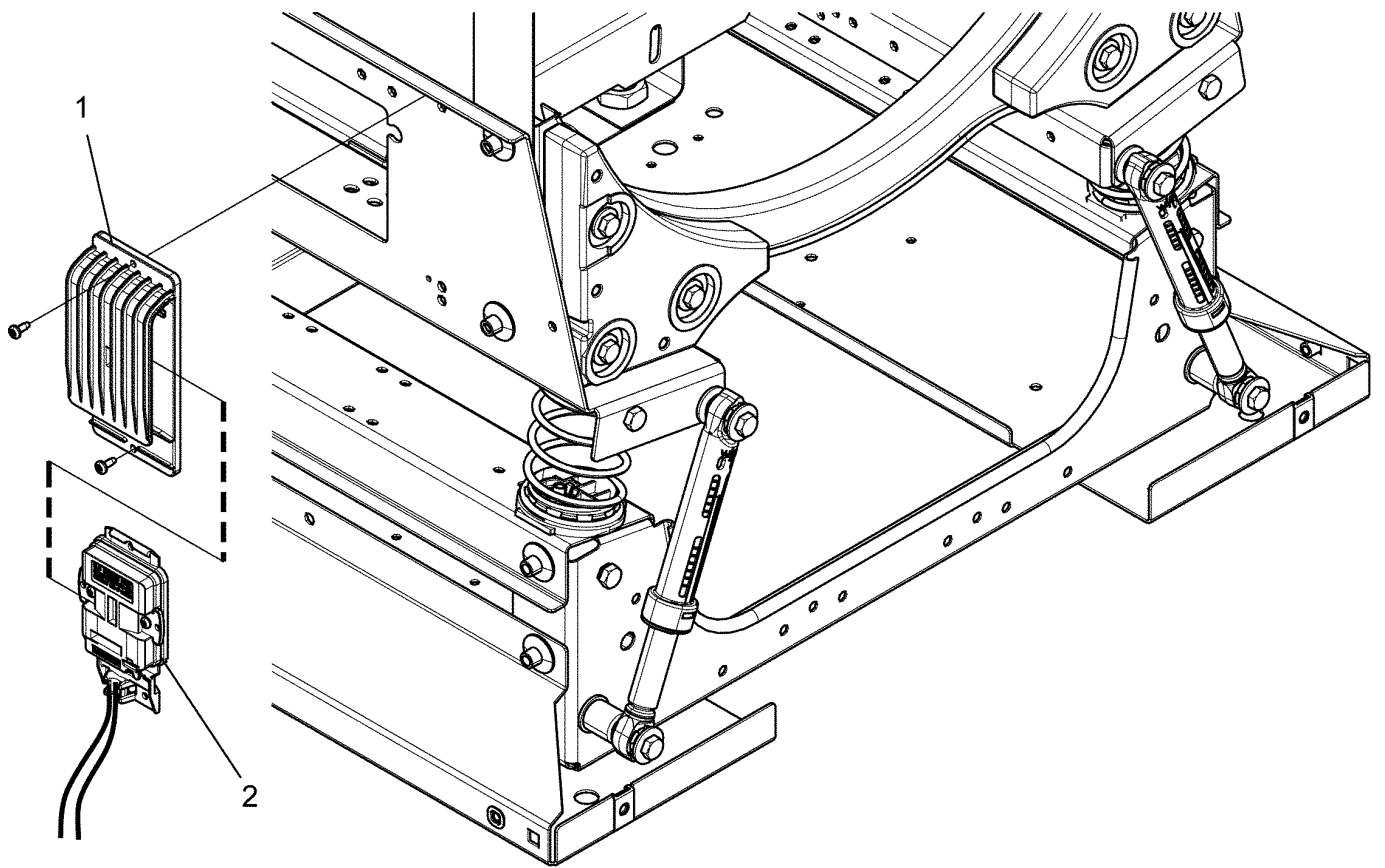
**Motor control unit**

Illustration Issue Month Year  
Illustration Utgåva Månad År

**Motorstyrningsenhet**

**500285 6 4 2013**

| Item Pos. | Quantity Antal |   | Art.No Art.nr | Description           | Benämning           | Info Info | Notes Anmärkning           |
|-----------|----------------|---|---------------|-----------------------|---------------------|-----------|----------------------------|
|           | W575H Compass  |   |               |                       |                     |           |                            |
|           | W5105H Compass |   |               |                       |                     |           |                            |
|           | W5130H Compass |   |               |                       |                     |           |                            |
|           | W5180H Compass |   |               |                       |                     |           |                            |
|           | W5240H Compass |   |               |                       |                     |           |                            |
|           | W5300H Compass |   |               |                       |                     |           |                            |
| 1         | 1              | 1 | 472 9929-31   | Motor control unit    | Motorstyrningsenhet |           | 200-240V                   |
|           | 1              | 1 | 472 9929-32   | Motor control unit    | Motorstyrningsenhet |           | 200-240V<br>Japan/TW       |
|           |                | 1 | 472 9929-41   | Motor control unit    | Motorstyrningsenhet |           | 200-240V                   |
| 2         | 1              | 1 | 472 9929-51   | Motor control unit    | Motorstyrningsenhet |           | 200-240V                   |
|           | 1              | 1 | 413 2918-01   | •Cable set            | •Ledningssats       |           | 2-pole 10A                 |
|           | 1              | 1 | 413 2918-02   | •Cable set            | •Ledningssats       |           | 2-pole Trafo and choke 10A |
|           | 1              | 1 | 413 2918-09   | •Cable set            | •Ledningssats       |           | 2-pole Japan/TW 10A        |
|           |                | 1 | 413 2918-03   | •Cable set            | •Ledningssats       |           | 2-pole 16A                 |
|           |                | 1 | 413 2918-04   | •Cable set            | •Ledningssats       |           | 2-pole Trafo and choke 16A |
|           |                | 1 | 413 2918-07   | •Cable set            | •Ledningssats       |           | 2-pole Japan/TW 16A        |
|           |                | 1 | 413 2918-05   | •Cable set            | •Ledningssats       |           | 4-pole 20A                 |
|           |                | 1 | 413 2918-06   | •Cable set            | •Ledningssats       |           | 4-pole Trafo and choke 20A |
|           |                | 1 | 413 2918-08   | •Cable set            | •Ledningssats       |           | 4-pole Japan/TW 20A        |
| * 3       | 1              | 1 | 438 9799-13   | Clamp                 | Klamma              |           |                            |
| 4         | 1              | 1 | 438 9799-01   | Cover                 | Kåpa                |           |                            |
| 5         |                |   |               | Cable set             | Ledningssats        |           | See motor                  |
| 6         | 1              |   | 413 3084-10   | Cable set             | Ledningssats        |           | P-bus-X302                 |
|           |                | 1 | 413 3084-21   | Cable set             | Ledningssats        |           | P-bus-X302                 |
|           |                | 1 | 413 3084-22   | Cable set             | Ledningssats        |           | P-bus-X302                 |
|           |                | 1 | 413 3084-23   | Cable set             | Ledningssats        |           | P-bus-X302                 |
|           |                |   | 413 3084-24   | Cable set             | Ledningssats        |           | P-bus-X302                 |
| 7         | 1              | 1 | 432 2961-01   | Cable set             | Ledningssats        |           | 3AC                        |
| 8         | 1              | 1 | 438 8774-02   | Printed circuit board | Kretskort           |           |                            |
| 9         | 3              | 3 | 471 8768-02   | Fuse                  | Säkring             |           | 15A                        |
| 10        | 1              | 1 | 472 9938-01   | Cover                 | Skydd               |           |                            |
|           |                | 1 | 472 9938-02   | Cover                 | Skydd               |           |                            |
|           |                | 1 | 472 9938-03   | Cover                 | Skydd               |           |                            |
| 11        | 1              |   | 413 3276-07   | Cable set             | Ledningssats        |           | M-COM                      |
|           |                | 1 | 413 3276-08   | Cable set             | Ledningssats        |           | M-COM                      |
|           |                | 1 | 413 3276-11   | Cable set             | Ledningssats        |           | M-COM                      |
|           |                |   | 413 3276-09   | Cable set             | Ledningssats        |           | M-COM                      |



**W575H Compass,W5105H Compass,W5130H Compass,W5180H Compass,W5240H Compass,W5300H Compass**

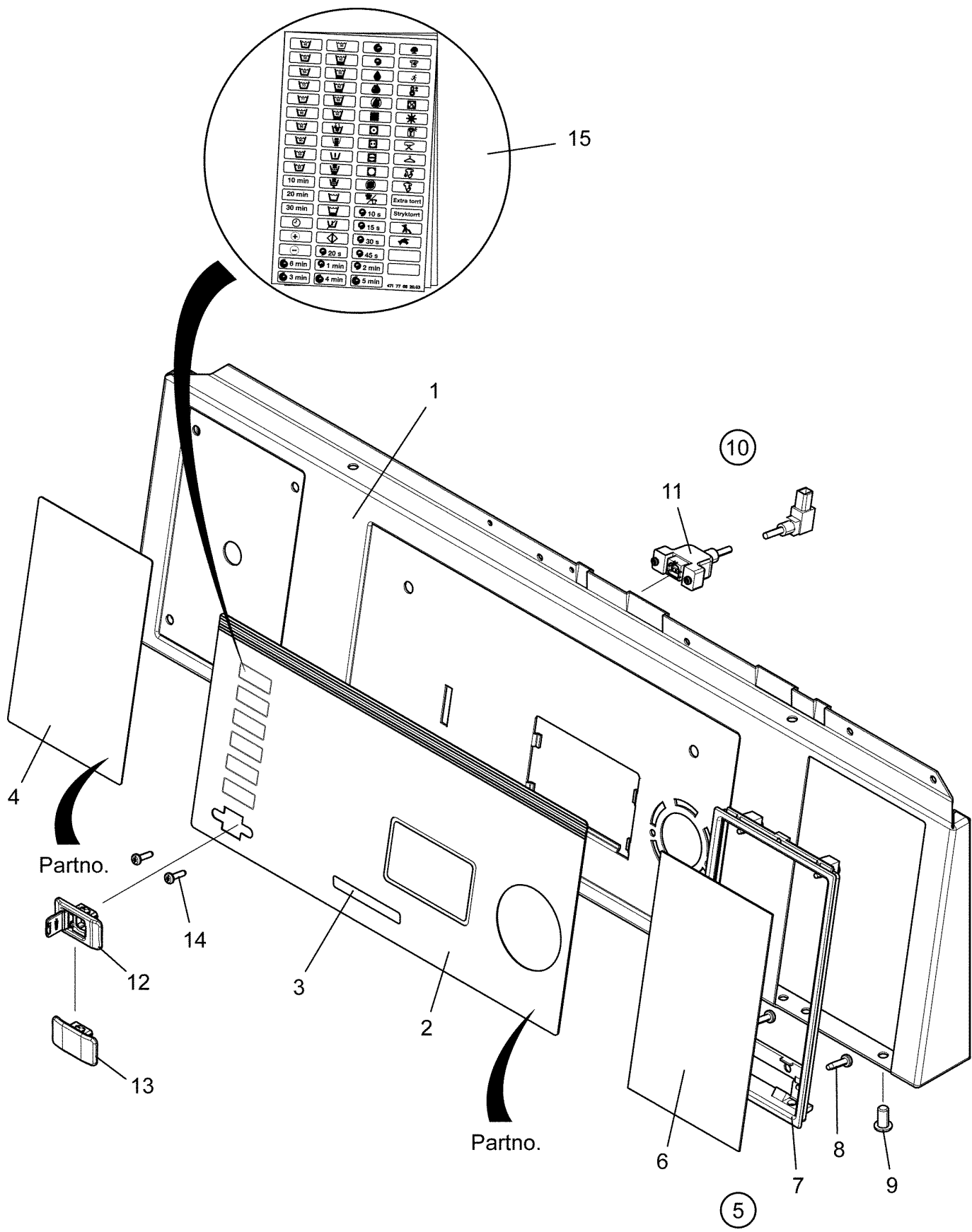
**Power balance unit**

Illustration Issue Month Year  
Illustration Utgåva Månad År

**Obalanskontroll enhet**

**500361 2 8 2013**

| Item Pos. | Qua. Ant. | Art.No<br>Art.nr   | Description | Benämning | Info<br>Info | Notes<br>Anmärkning |
|-----------|-----------|--------------------|-------------|-----------|--------------|---------------------|
| <b>1</b>  | 1         | <b>413 1221-01</b> | Bracket     | Hållare   |              |                     |
| <b>2</b>  | 1         | <b>432 6937-01</b> | I/O module  | I/O modul |              | Type 6              |





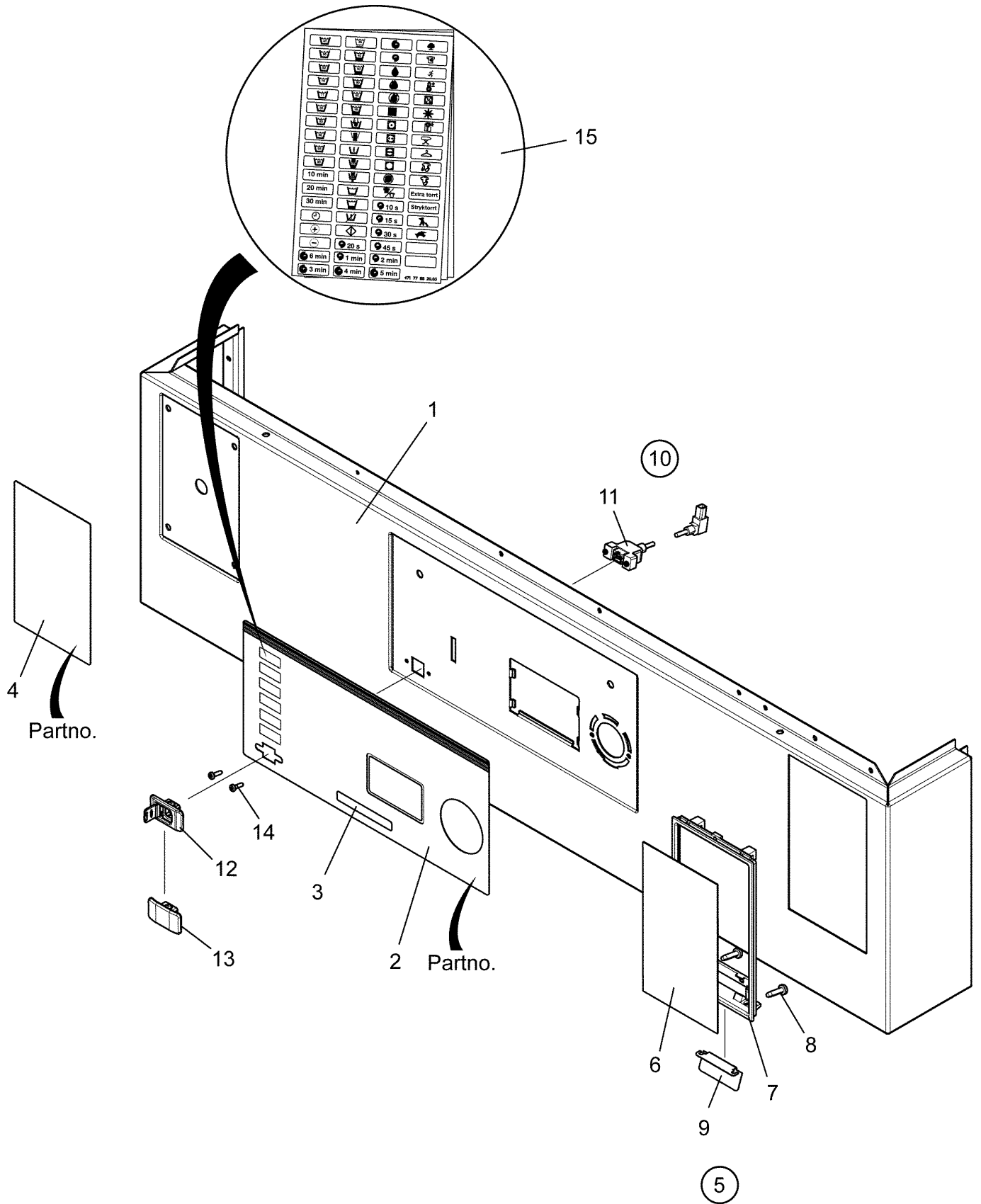
**W575H Compass,W5105H Compass**

**Control panel**

**Manöverpanel**

Illustration Issue Month Year  
Illustration Utgåva Månad År  
**500371 2 9 2015**

| Item Pos.      | Quantity Antal | Art.No Art.nr | Description       | Benämning         | Info Info | Notes Anmärkning                   |
|----------------|----------------|---------------|-------------------|-------------------|-----------|------------------------------------|
| W575H Compass  |                |               |                   |                   |           |                                    |
| W5105H Compass |                |               |                   |                   |           |                                    |
| 1              | 1              | 432 2361-01   | Front panel       | Frontpanel        |           |                                    |
| 2              | 1              | 432 2362-01   | Front panel       | Frontpanel        |           |                                    |
|                |                |               | Panel sign        | Panelskylt        |           | Check sign for correct part number |
|                | 1              | 472 5797-10   | Panel sign        | Panelskylt        |           |                                    |
|                | 1              | 472 5797-12   | Panel sign        | Panelskylt        |           |                                    |
|                | 1              | 472 5797-13   | Panel sign        | Panelskylt        |           |                                    |
|                | 1              | 472 5797-30   | Panel sign        | Panelskylt        |           |                                    |
|                | 1              | 472 5797-35   | Panel sign        | Panelskylt        |           |                                    |
|                | 1              | 472 5797-40   | Panel sign        | Panelskylt        |           |                                    |
|                | 1              | 472 5797-80   | Panel sign        | Panelskylt        |           |                                    |
|                | 1              | 472 5797-50   | Panel sign        | Panelskylt        |           | Coin Wascomat                      |
|                | 1              | 472 5797-51   | Panel sign        | Panelskylt        |           | OPL Wascomat                       |
| *              | 1              | 472 5797-20   | Panel sign        | Panelskylt        |           |                                    |
| *              | 1              | 472 5797-23   | Panel sign        | Panelskylt        |           |                                    |
| 3              | 1              | 413 2621-01   | Type plate        | Typskylt          |           | W575H                              |
|                | 1              | 413 2621-02   | Type plate        | Typskylt          |           | W575H LE                           |
|                | 1              | 413 2623-02   | Type plate        | Typskylt          |           | W575H Wool                         |
|                | 1              | 413 2631-16   | Type plate        | Typskylt          |           | EX718co                            |
|                | 1              | 413 2631-18   | Type plate        | Typskylt          |           | EX718cc                            |
|                | 1              | 413 2623-01   | Type plate        | Typskylt          |           | W5105H                             |
|                | 1              | 413 2631-19   | Type plate        | Typskylt          |           | EX725co                            |
|                | 1              | 413 2631-21   | Type plate        | Typskylt          |           | EX725cc                            |
| 4              |                |               | Instruction plate | Instruktionsskylt |           | Check sign for correct part number |
|                | 1              | 432 2653-10   | Instruction plate | Instruktionsskylt |           |                                    |
|                | 1              | 432 2653-11   | Instruction plate | Instruktionsskylt |           |                                    |
|                | 1              | 432 2653-12   | Instruction plate | Instruktionsskylt |           |                                    |
|                | 1              | 432 2653-14   | Instruction plate | Instruktionsskylt |           |                                    |
|                | 1              | 432 2653-15   | Instruction plate | Instruktionsskylt |           |                                    |
|                | 1              | 432 2653-30   | Instruction plate | Instruktionsskylt |           |                                    |
|                | 1              | 432 2653-31   | Instruction plate | Instruktionsskylt |           |                                    |
|                | 1              | 432 2653-80   | Instruction plate | Instruktionsskylt |           |                                    |
| 5              | 1              | 472 9955-07   | Cover plates      | Täckplåtar        |           | Kit compl.                         |
| 6              | 1              |               | •Cover plate      | •Täckplåt         |           |                                    |
| 7              | 1              |               | •Frame            | •Ram              |           |                                    |
| 8              | 4              |               | •Screw            | •Skruv            |           |                                    |
| 9              | 2              |               | •Screw            | •Skruv            |           |                                    |
| 10             | 1              | 472 9956-03   | Cable             | Kabel             |           | USB Kit                            |
| 11             | 1              | 413 2936-01   | •Cable            | •Kabel            |           | USB                                |
| 12             | 1              | 472 9956-01   | •Cover            | •Skydd            |           | Kit                                |
| 13             | 1              | 472 9956-02   | •Blind plug       | •Blindpropp       |           | Kit                                |
| 14             | 2              | 471 8340-13   | Screw             | Skruv             |           | RTS 3,5X13                         |
| 15             | 1              | 472 9940-02   | Stickers kit      | Etikett sats      |           |                                    |
|                | 1              | 472 9940-04   | Stickers kit      | Etikett sats      |           | Japan                              |



**W5130H Compass,W5180H Compass,W5240H Compass,W5300H Compass**

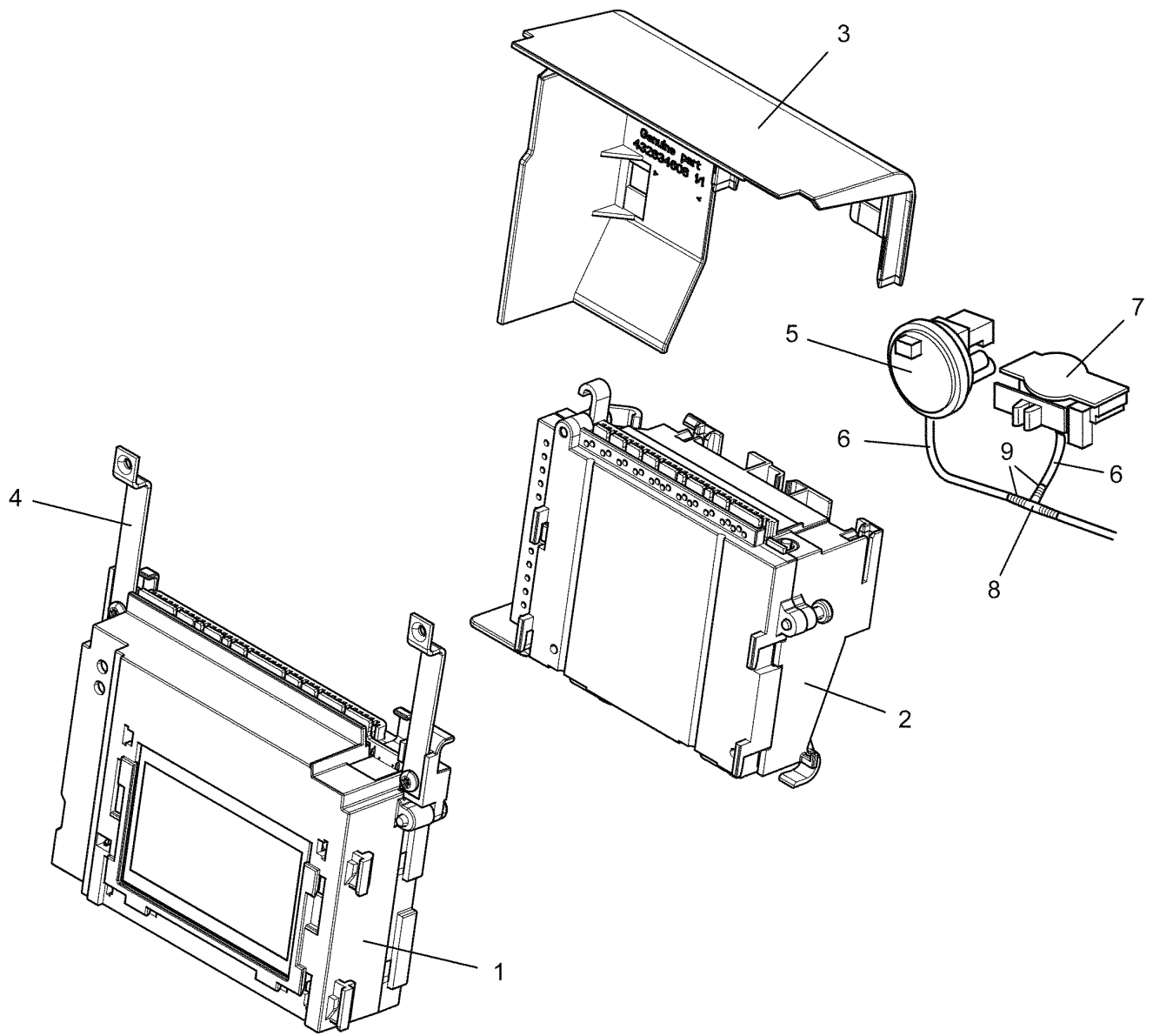
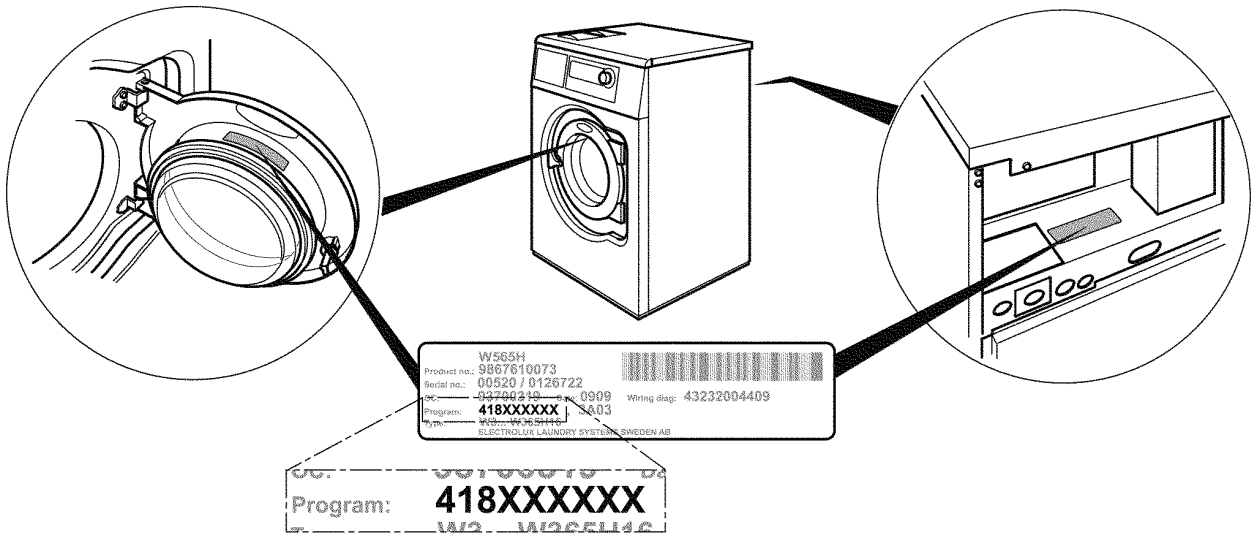
**Control panel**

Illustration Issue Month Year  
Illustration Utgåva Månad År

**Manöverpanel**

**500372 3 9 2015**

| Item Pos. | Quantity Antal |   |   |   | Art.No Art.nr | Description       | Benämning         | Info Info | Notes Anmärkning   |
|-----------|----------------|---|---|---|---------------|-------------------|-------------------|-----------|--|
|           | W5130H Compass |   |   |   |               |                   |                   |           |  |
|           | W5180H Compass |   |   |   |               |                   |                   |           |  |
|           | W5240H Compass |   |   |   |               |                   |                   |           |  |
|           | W5300H Compass |   |   |   |               |                   |                   |           |  |
| 1         | 1              |   |   |   | 432 2366-01   | Front panel       | Frontpanel        |           |  |
|           |                | 1 |   |   | 432 2367-01   | Front panel       | Frontpanel        |           |  |
| 2         |                |   | 1 | 1 | 432 2368-01   | Front panel       | Frontpanel        |           | Check sign for correct part number   |
|           |                |   |   |   |               | Panel sign        | Panelskylt        |           |  |
|           | 1              | 1 | 1 | 1 | 472 5797-10   | Panel sign        | Panelskylt        |           |  |
|           | 1              | 1 | 1 | 1 | 472 5797-12   | Panel sign        | Panelskylt        |           |  |
|           | 1              | 1 | 1 | 1 | 472 5797-13   | Panel sign        | Panelskylt        |           |  |
|           | 1              | 1 | 1 | 1 | 472 5797-30   | Panel sign        | Panelskylt        |           |  |
|           | 1              | 1 | 1 | 1 | 472 5797-35   | Panel sign        | Panelskylt        |           |  |
|           | 1              | 1 | 1 | 1 | 472 5797-40   | Panel sign        | Panelskylt        |           |  |
|           | 1              | 1 | 1 | 1 | 472 5797-80   | Panel sign        | Panelskylt        |           |  |
|           | 1              | 1 | 1 | 1 | 472 5797-50   | Panel sign        | Panelskylt        |           | Coin Wascomat<br>OPL Wascomat  |
|           | 1              | 1 | 1 | 1 | 472 5797-51   | Panel sign        | Panelskylt        |           |  |
| *         | 1              | 1 | 1 | 1 | 472 5797-20   | Panel sign        | Panelskylt        |           |  |
| *         | 1              | 1 | 1 | 1 | 472 5797-23   | Panel sign        | Panelskylt        |           |  |
|           |                |   |   | 1 | 472 5797-42   | Panel sign        | Panelskylt        |           |  |
| 3         | 1              |   |   |   | 413 2624-01   | Type plate        | Typskylt          |           | Lagoon<br>W5130H<br>W5130H Wool<br>EX730co<br>EX730cc<br>W5180H<br>W5180H Wool<br>EX745co<br>EX745cc<br>W5240H<br>W5240H Wool<br>EX760co<br>EX760cc<br>W5300H<br>W5300H Wool<br>EX777co<br>EX777cc<br>Check sign for correct part number |
|           | 1              |   |   |   | 413 2624-02   | Type plate        | Typskylt          |           |  |
|           | 1              |   |   |   | 413 2631-22   | Type plate        | Typskylt          |           |  |
|           | 1              |   |   |   | 413 2631-24   | Type plate        | Typskylt          |           |  |
|           |                | 1 |   |   | 413 2625-04   | Type plate        | Typskylt          |           |  |
|           |                | 1 |   |   | 413 2625-02   | Type plate        | Typskylt          |           |  |
|           |                | 1 |   |   | 413 2631-30   | Type plate        | Typskylt          |           |  |
|           |                | 1 |   |   | 413 2631-31   | Type plate        | Typskylt          |           |  |
|           |                |   | 1 |   | 413 2627-01   | Type plate        | Typskylt          |           |  |
|           |                |   | 1 |   | 413 2627-02   | Type plate        | Typskylt          |           |  |
|           |                |   | 1 |   | 413 2631-38   | Type plate        | Typskylt          |           |  |
|           |                |   | 1 |   | 413 2631-39   | Type plate        | Typskylt          |           |  |
|           |                |   |   | 1 | 413 2628-01   | Type plate        | Typskylt          |           |  |
|           |                |   |   | 1 | 413 2628-02   | Type plate        | Typskylt          |           |  |
|           |                |   |   | 1 | 413 2631-46   | Type plate        | Typskylt          |           |  |
|           |                |   |   | 1 | 413 2631-47   | Type plate        | Typskylt          |           |  |
| 4         |                |   |   |   |               | Instruction plate | Instruktionsskylt |           |  |
|           | 1              | 1 | 1 | 1 | 432 2653-10   | Instruction plate | Instruktionsskylt |           |  |
|           | 1              | 1 | 1 | 1 | 432 2653-11   | Instruction plate | Instruktionsskylt |           |  |
|           | 1              | 1 | 1 | 1 | 432 2653-12   | Instruction plate | Instruktionsskylt |           |  |
|           | 1              | 1 | 1 | 1 | 432 2653-14   | Instruction plate | Instruktionsskylt |           |  |
|           | 1              | 1 | 1 | 1 | 432 2653-15   | Instruction plate | Instruktionsskylt |           |  |
|           | 1              | 1 | 1 | 1 | 432 2653-30   | Instruction plate | Instruktionsskylt |           |  |
|           | 1              | 1 | 1 | 1 | 432 2653-31   | Instruction plate | Instruktionsskylt |           |  |
|           | 1              | 1 | 1 | 1 | 432 2653-80   | Instruction plate | Instruktionsskylt |           |  |
| 5         | 1              | 1 | 1 | 1 | 472 9955-07   | Cover plates      | Täckplåtar        |           | Kit compl.   |
| 6         | 1              | 1 | 1 | 1 |               | •Cover plate      | •Täckplåt         |           |  |
| 7         | 1              | 1 | 1 | 1 |               | •Frame            | •Ram              |           |  |
| 8         | 4              | 4 | 4 | 4 |               | •Screw            | •Skruv            |           |  |
| 9         | 1              | 1 | 1 | 1 |               | •Mounting plate   | •Monteringsplåt   |           |  |
| 10        | 1              | 1 | 1 | 1 | 472 9956-03   | Cable             | Kabel             |           | USB Kit  |
| 11        | 1              | 1 | 1 | 1 | 413 2936-01   | •Cable            | •Kabel            |           |  |
| 12        | 1              | 1 | 1 | 1 | 472 9956-01   | •Cover            | •Skydd            |           | USB  |
| 13        | 1              | 1 | 1 | 1 | 472 9956-02   | •Blind plug       | •Blindpropp       |           | Kit  |
| 14        | 2              | 2 | 2 | 2 | 471 8340-13   | Screw             | Skruv             |           | RTS 3,5X13   |
| 15        | 1              | 1 | 1 | 1 | 472 9940-02   | Stickers kit      | Etikett sats      |           |  |
|           | 1              | 1 | 1 | 1 | 472 9940-04   | Stickers kit      | Etikett sats      |           | Japan  |



**W575H Compass,W5105H Compass,W5130H Compass,W5180H Compass,W5240H Compass,W5300H Compass**

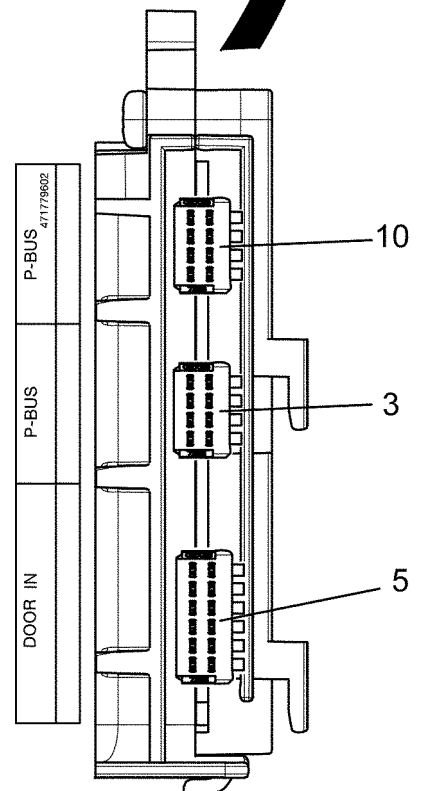
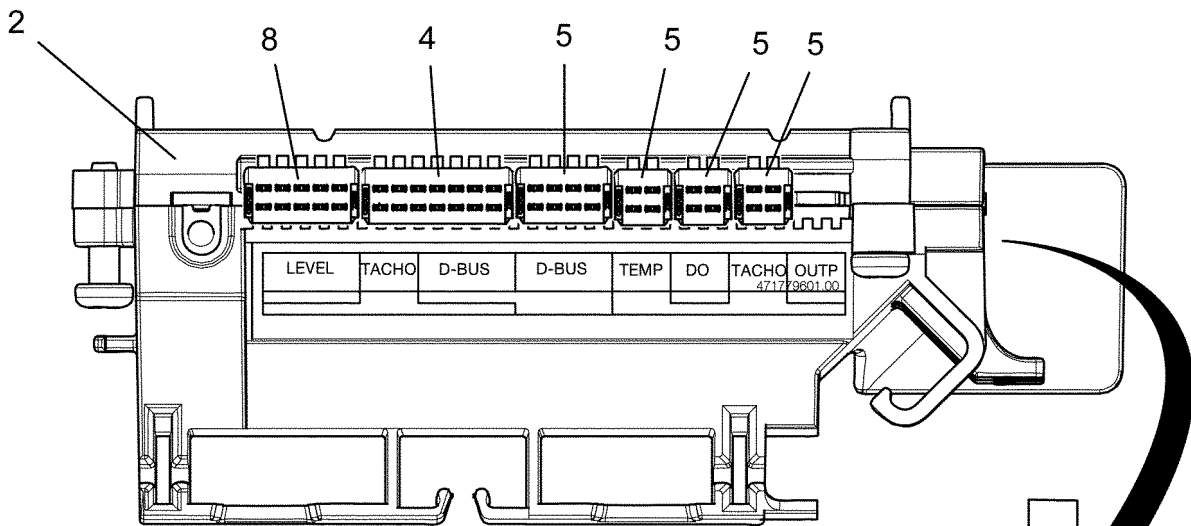
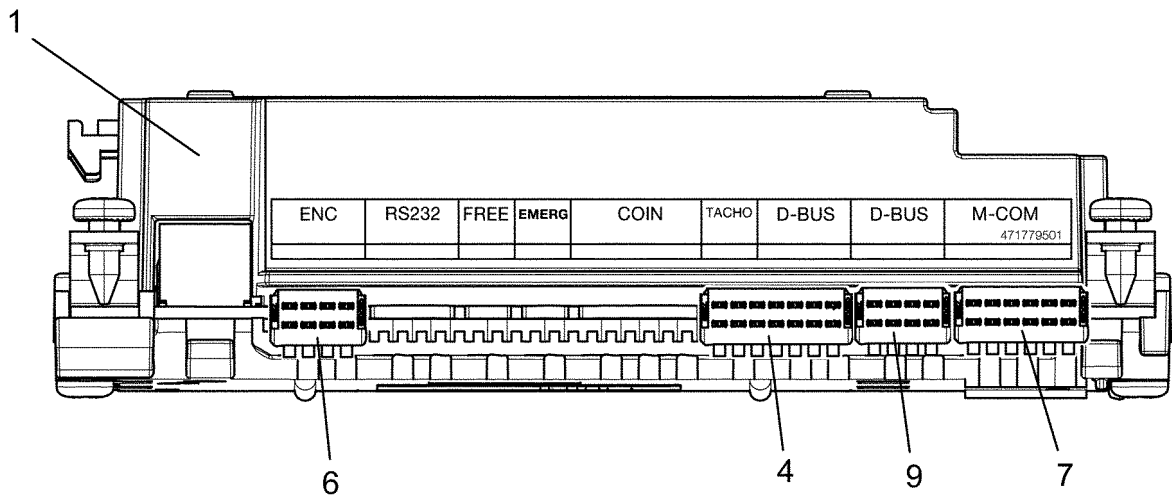
**CPU**

Illustration Issue Month Year  
Illustration Utgåva Månad År

**CPU**

**500231 2 10 2015**

| Item Pos.  | Qua. Ant. | Art.No Art.nr      | Description     | Benämning      | Info Info | Notes Anmärkning                                |
|------------|-----------|--------------------|-----------------|----------------|-----------|---|
| <b>1</b>   | 1         | <b>432 6820-02</b> | CPU             | CPU            |           | Without software. Software available on website |
| <b>2</b>   | 1         | <b>432 6809-01</b> | I/O module      | I/O modul      |           | Type 10   |
| <b>3</b>   | 1         | <b>432 6346-06</b> | Cover           | Skydd          |           |   |
| <b>4</b>   | 2         | <b>432 6353-02</b> | Ground terminal | Jordanslutning |           |   |
| <b>5</b>   | 1         | <b>471 8861-03</b> | Level guard     | Nivåvakt       |           |   |
| * <b>6</b> | 2         | <b>471 2445-01</b> | Hose            | Slang          |           | L=70  |
| <b>7</b>   | 1         | <b>471 8863-02</b> | Level guard     | Nivåvakt       |           |   |
| <b>8</b>   | 1         | <b>471 2265-69</b> | T-pipe          | T-rör          |           |   |
| * <b>9</b> | 2         | <b>471 7873-02</b> | Cable tie       | Buntband       |           |   |



**W575H Compass,W5105H Compass,W5130H Compass,W5180H Compass,W5240H Compass,W5300H Compass**

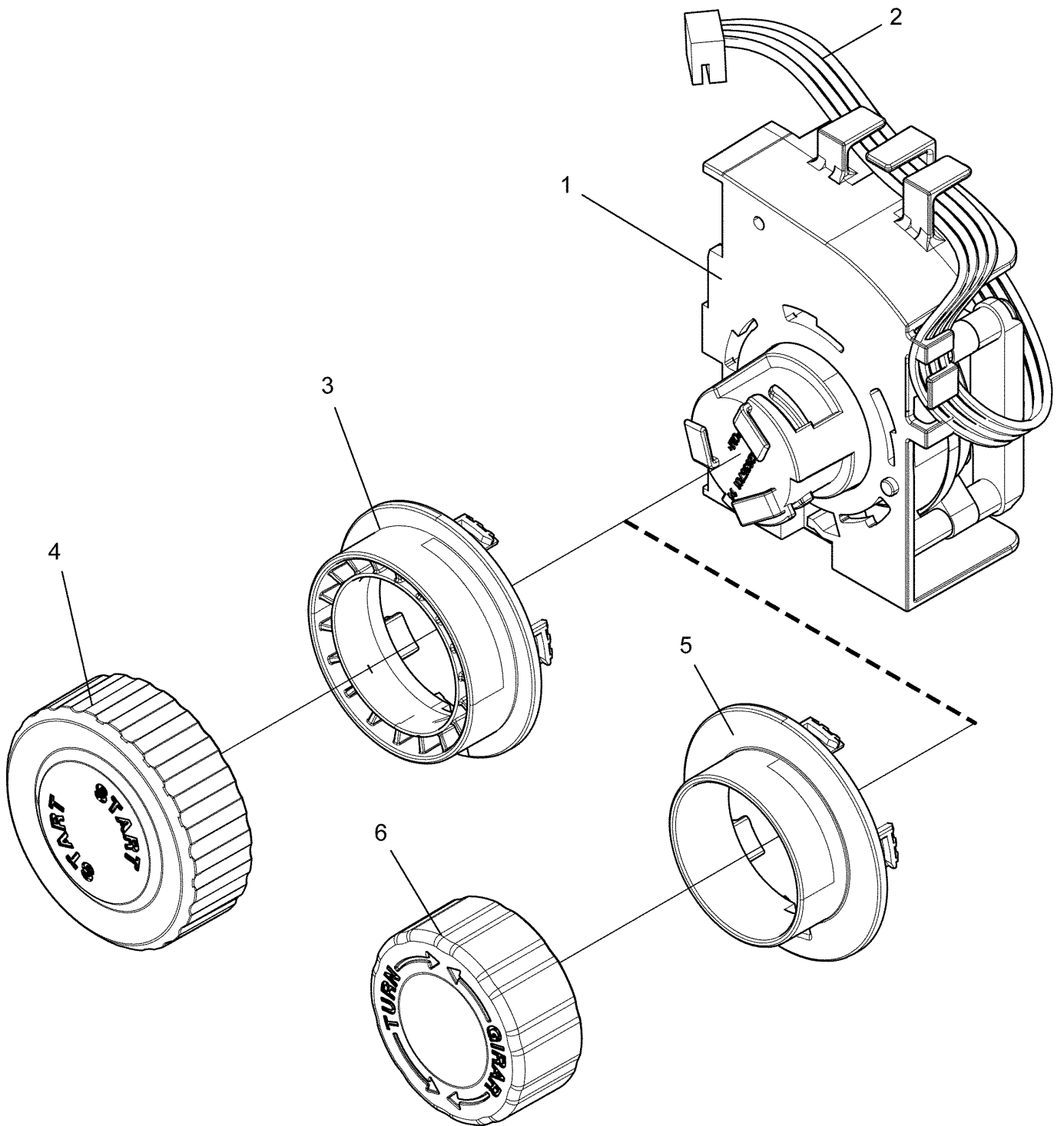
**Cables**

Illustration Issue Month Year  
Illustration Utgåva Månad År

**Kablage**

**500582 1 5 2015**

| Item Pos. | Quantity Antal |   |   |   |   |   |   | Art.No Art.nr | Description | Benämning    | Info Info | Notes Anmärkning  |
|-----------|----------------|---|---|---|---|---|---|---------------|-------------|--------------|-----------|---|
|           | W575H Compass  |   |   |   |   |   |   |               |             |              |           |   |
|           | W5105H Compass |   |   |   |   |   |   |               |             |              |           |   |
|           | W5130H Compass |   |   |   |   |   |   |               |             |              |           |   |
|           | W5180H Compass |   |   |   |   |   |   |               |             |              |           |   |
|           | W5240H Compass |   |   |   |   |   |   |               |             |              |           |   |
|           | W5300H Compass |   |   |   |   |   |   |               |             |              |           |   |
| 1         | 1              | 1 | 1 | 1 | 1 | 1 | 1 |               | CPU         | CPU          |           | Without software. Software available on website See illustr. 500231 |
| 2         | 1              | 1 | 1 | 1 | 1 | 1 | 1 |               | I/O module  | I/O modul    |           | Type 10 See illustr. 500231   |
| 3         | 1              |   | 1 |   |   |   |   | 413 3084-09   | Cable set   | Ledningssats |           | P-bus   |
|           |                | 1 |   |   |   |   |   | 413 3084-16   | Cable set   | Ledningssats |           | P-bus   |
|           |                |   | 1 | 1 |   |   |   | 413 3084-18   | Cable set   | Ledningssats |           | P-bus   |
|           |                |   |   |   | 1 | 1 |   | 413 3084-19   | Cable set   | Ledningssats |           | P-bus   |
| 4         | 1              | 1 | 1 | 1 | 1 | 1 | 1 | 413 3277-01   | Cable set   | Ledningssats |           | 7-pole  |
| 5         | 1              |   |   |   |   |   |   | 432 2905-27   | Cable set   | Ledningssats |           | Door  |
|           |                | 1 |   |   |   |   |   | 432 2905-29   | Cable set   | Ledningssats |           | Door  |
|           |                |   | 1 |   |   |   |   | 432 2905-31   | Cable set   | Ledningssats |           | Door  |
|           |                |   |   | 1 |   |   |   | 432 2905-33   | Cable set   | Ledningssats |           | Door  |
|           |                |   |   |   | 1 | 1 |   | 432 2905-35   | Cable set   | Ledningssats |           | Door  |
| 6         | 1              | 1 | 1 | 1 | 1 | 1 | 1 | 413 3274-20   | Cable set   | Ledningssats |           | 4-pole  |
| 7         | 1              |   |   |   |   |   |   | 413 3276-07   | Cable set   | Ledningssats |           | M-COM   |
|           |                | 1 | 1 |   |   |   |   | 413 3276-08   | Cable set   | Ledningssats |           | M-COM   |
|           |                |   |   | 1 |   |   |   | 413 3276-11   | Cable set   | Ledningssats |           | M-COM   |
|           |                |   |   |   | 1 | 1 |   | 413 3276-09   | Cable set   | Ledningssats |           | M-COM   |
| 8         | 1              | 1 | 1 | 1 | 1 | 1 | 1 | 413 3275-01   | Cable set   | Ledningssats |           | 5-pole Level  |
| 9         | 1              |   |   |   |   |   |   | 413 3274-36   | Cable set   | Ledningssats |           | 4-pole D-bus  |
|           |                | 1 |   |   |   |   |   | 413 3274-41   | Cable set   | Ledningssats |           | 4-pole D-bus  |
|           |                |   | 1 |   | 1 | 1 |   | 413 3274-35   | Cable set   | Ledningssats |           | 4-pole D-bus  |
|           |                |   |   | 1 |   |   |   | 413 3274-34   | Cable set   | Ledningssats |           | 4-pole D-bus  |
| 10        | 1              |   |   |   |   |   |   | 413 3084-10   | Cable set   | Ledningssats |           |   |
|           |                | 1 |   |   |   |   |   | 413 3084-21   | Cable set   | Ledningssats |           |   |
|           |                |   | 1 |   |   |   |   | 413 3084-22   | Cable set   | Ledningssats |           |   |
|           |                |   |   | 1 |   |   |   | 413 3084-23   | Cable set   | Ledningssats |           |   |
|           |                |   |   |   | 1 | 1 |   | 413 3084-24   | Cable set   | Ledningssats |           |   |





**W575H Compass,W5105H Compass,W5130H Compass,W5180H Compass,W5240H Compass,W5300H Compass**

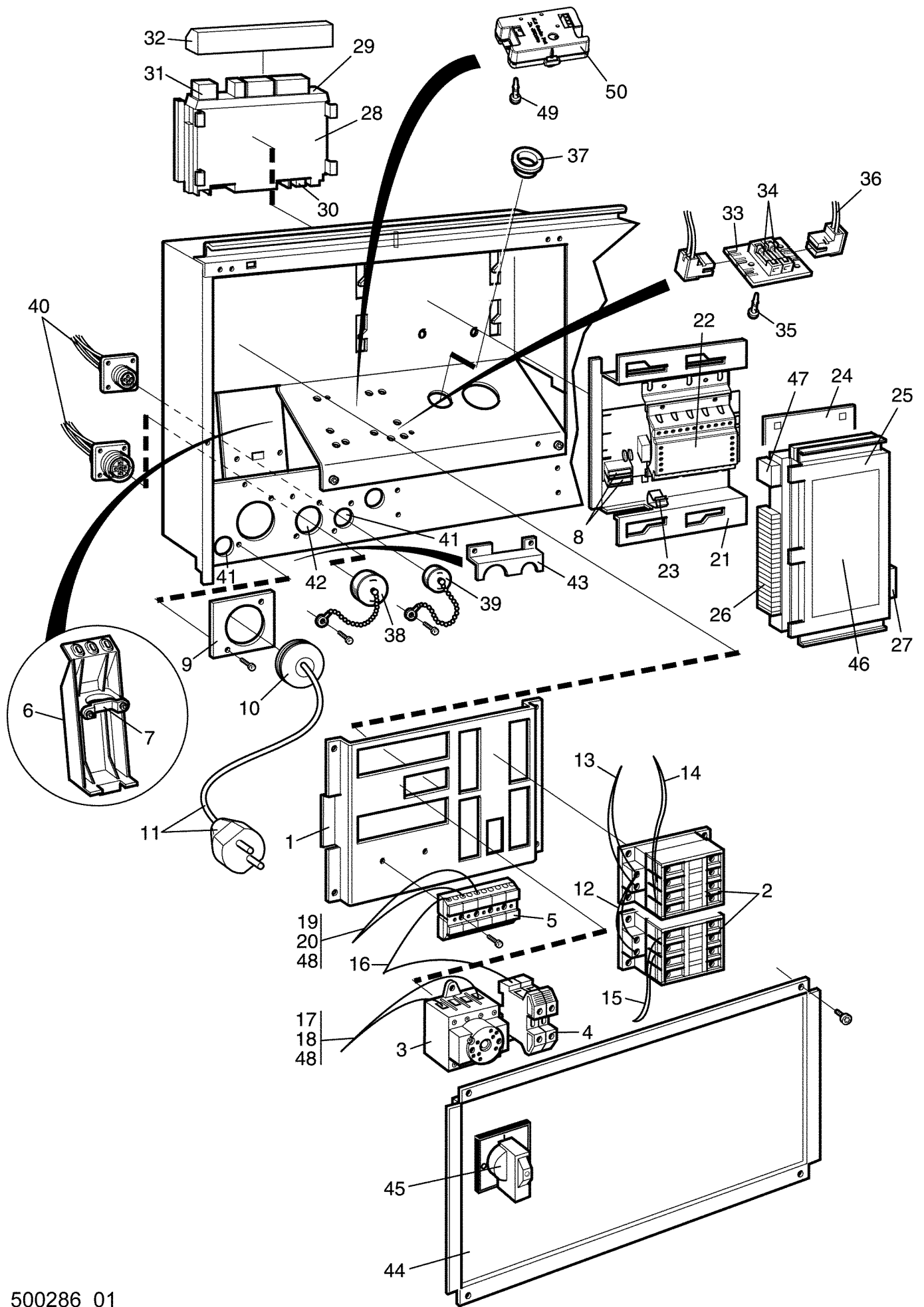
**Program selector**

Illustration Issue Month Year  
Illustration Utgåva Månad År

**Programväljare**

**500323 1 4 2013**

| Item Pos. | Qua. Ant. | Art.No Art.nr | Description      | Benämning      | Info Info | Notes Anmärkning |
|-----------|-----------|---------------|------------------|----------------|-----------|------------------|
| 1         | 1         | 432 6810-02   | Program selector | Programväljare |           | Complete         |
| 2         | 1         | 413 3274-20   | Cable set        | Ledningssats   |           | 4-pole           |
| 3         | 1         | 432 6356-01   | Cover            | Lock           |           |                  |
| 4         | 1         | 432 6355-02   | Knob             | Vred           |           |                  |
| 5         | 1         | 432 6373-01   | Cover            | Lock           |           | Wascomat         |
| 6         | 1         | 432 6372-01   | Knob             | Vred           |           | Wascomat         |



**W575H Compass,W5105H Compass,W5130H Compass,W5180H Compass,W5240H Compass,W5300H Compass**

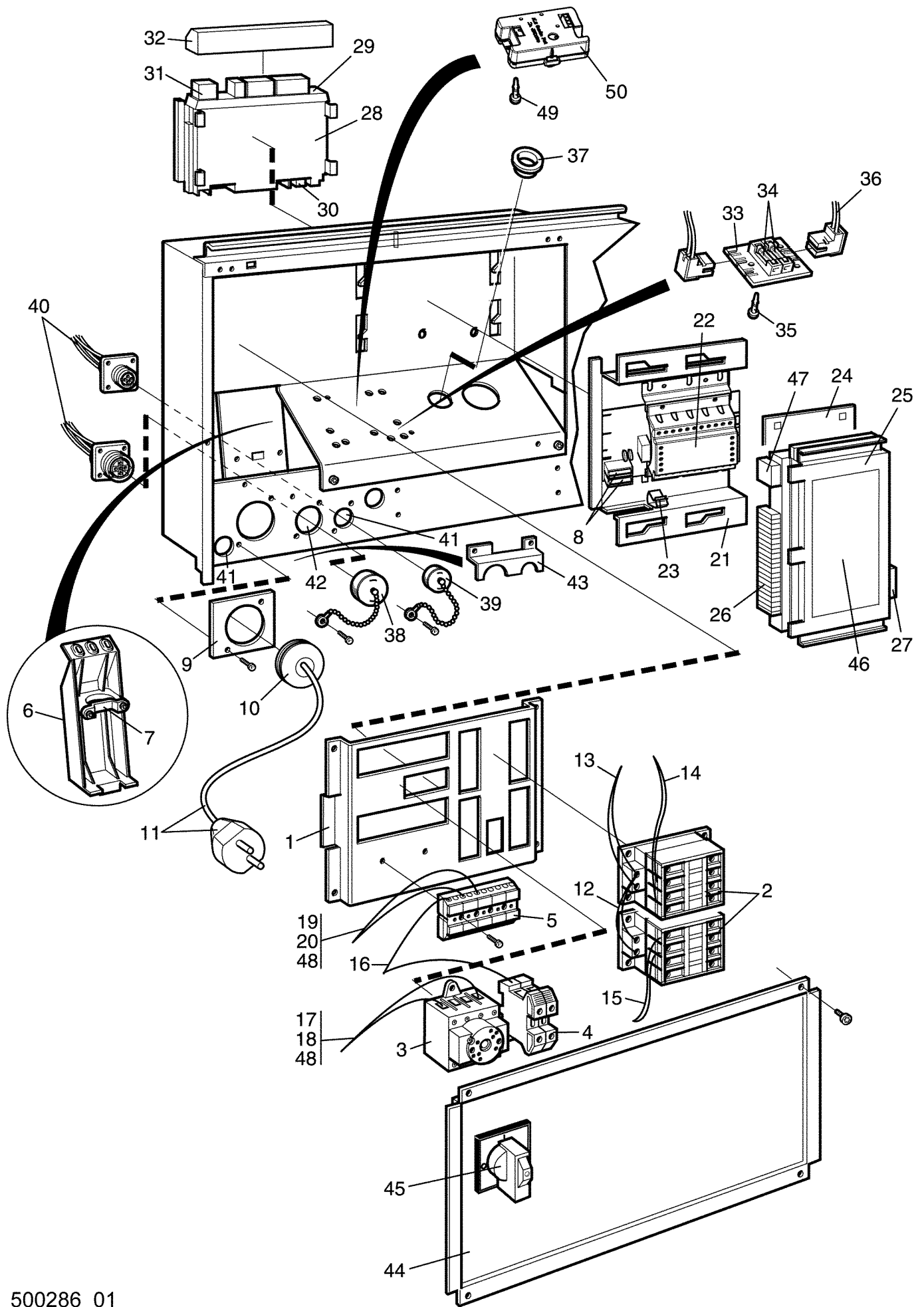
**Electric components connection**

Illustration Issue Month Year  
Illustration Utgåva Månad År

**Eldetaljer anslutning**

**500286 1 4 2013**

| Item Pos. | Quantity Antal |    |    |    |    |    |    | Art.No Art.nr | Description       | Benämning              | Info Info   | Notes Anmärkning |
|-----------|----------------|----|----|----|----|----|----|---------------|-------------------|------------------------|-------------|------------------|
|           | W575H Compass  |    |    |    |    |    |    |               |                   |                        |             |                  |
|           | W5105H Compass |    |    |    |    |    |    |               |                   |                        |             |                  |
|           | W5130H Compass |    |    |    |    |    |    |               |                   |                        |             |                  |
|           | W5180H Compass |    |    |    |    |    |    |               |                   |                        |             |                  |
|           | W5240H Compass |    |    |    |    |    |    |               |                   |                        |             |                  |
|           | W5300H Compass |    |    |    |    |    |    |               |                   |                        |             |                  |
| 1         | 1              | 1  | 1  | 1  | 1  | 1  | 1  | 432 2154-01   | Mounting plate    | Monteringsplåt         |             |                  |
| 2         | 1              | Rq | Rq | Rq | Rq | Rq | Rq | 438 9636-22   | Contactora        | Kontaktor              | 50Hz        |                  |
|           | 1              | Rq | Rq | Rq | Rq | Rq | Rq | 438 9636-23   | Contactora        | Kontaktor              | 60Hz        |                  |
|           | 1              | Rq | Rq | Rq | Rq | Rq | Rq | 438 9636-24   | Contactora        | Kontaktor              | 50/60Hz     |                  |
|           | 1              | 1  |    |    |    | 1  | 1  | 438 9636-92   | Contactora        | Kontaktor              | 50Hz        |                  |
|           | 1              | 1  |    |    |    | 1  | 1  | 438 9636-93   | Contactora        | Kontaktor              | 60Hz        |                  |
|           | Rq             |    |    |    |    | 1  | 1  | 438 9636-94   | Contactora        | Kontaktor              | 50/60Hz     |                  |
| 3         | Rq             | Rq | Rq | Rq | Rq | Rq | Rq | 438 9678-01   | Main switch       | Huvudbrytare           | 3-pole, 32A |                  |
|           | Rq             | Rq | Rq | Rq | Rq | Rq | Rq | 438 9678-02   | Main switch       | Huvudbrytare           | 3-pole, 40A |                  |
|           | Rq             | Rq | Rq | Rq | Rq | Rq | Rq | 438 9678-03   | Main switch       | Huvudbrytare           | 3-pole, 63A |                  |
|           | Rq             | Rq | Rq | Rq | Rq | Rq | Rq | 438 9678-04   | Main switch       | Huvudbrytare           | 3-pole, 80A |                  |
|           | Rq             | Rq | Rq | Rq | Rq | Rq | Rq | 438 9678-11   | Main switch       | Huvudbrytare           | 4-pole, 32A |                  |
|           | Rq             | Rq | Rq | Rq | Rq | Rq | Rq | 438 9678-12   | Main switch       | Huvudbrytare           | 4-pole, 40A |                  |
|           | Rq             | Rq | Rq | Rq | Rq | Rq | Rq | 438 9678-13   | Main switch       | Huvudbrytare           | 4-pole, 63A |                  |
|           | Rq             | Rq | Rq | Rq | Rq | Rq | Rq | 438 9678-14   | Main switch       | Huvudbrytare           | 4-pole, 80A |                  |
| 4         | 2              | 2  | 2  | 2  | 2  | 2  | 2  | 471 8767-01   | Block             | Plint                  | SL10        |                  |
|           | 2              | 2  | 2  | 2  | 2  | 2  | 2  | 471 8767-02   | Block             | Plint                  | SL16        |                  |
| 5         | 1              | 1  | 1  | 1  | 1  | 1  | 1  | 471 8783-01   | Block             | Plint                  | 5-pole      |                  |
|           | 1              | 1  | 1  | 1  | 1  | 1  | 1  | 471 8783-03   | Block             | Plint                  | 3-pole      |                  |
|           | 1              | 1  | 1  | 1  | 1  | 1  | 1  | 471 8783-04   | Block             | Plint                  | 4-pole      |                  |
| 6         | 1              | 1  | 1  | 1  | 1  | 1  | 1  | 432 2258-01   | Plate             | Plåt                   |             |                  |
|           | 1              | 1  | 1  | 1  | 1  | 1  | 1  | 432 2214-01   | Cable clamp       | Kabelklämma            | PLASTIC     |                  |
| 7         | 1              | 1  | 1  | 1  | 1  | 1  | 1  | 471 7859-16   | Clamp             | Klämma                 | Upper part  |                  |
| 8         | 2              | 2  | 2  | 2  | 2  | 2  | 2  | 471 8750-16   | Fuse              | Säkring                | 3,15A       |                  |
| 9         | 1              | 1  | 1  | 1  | 1  | 1  | 1  | 432 2199-01   | Plate             | Plåt                   | Ø21         |                  |
|           | 1              | 1  | 1  | 1  | 1  | 1  | 1  | 432 2199-03   | Plate             | Plåt                   | Ø26         |                  |
|           | 1              | 1  | 1  | 1  | 1  | 1  | 1  | 432 2199-05   | Plate             | Plåt                   | Ø33         |                  |
| 10        | 1              | 1  | 1  | 1  | 1  | 1  | 1  | 438 8720-01   | Grommet           | Genomföring            | M25         |                  |
|           | 1              | 1  | 1  | 1  | 1  | 1  | 1  | 438 8720-02   | Grommet           | Genomföring            | M32         |                  |
|           | 1              | 1  | 1  | 1  | 1  | 1  | 1  | 438 8720-03   | Grommet           | Kabelgenomföring       | M40         |                  |
| 11        | 1              | 1  | 1  | 1  | 1  | 1  | 1  | 490 4440-17   | Cable             | Kabel                  |             |                  |
| 12        | 1              |    |    |    |    |    |    |               |                   |                        | Not used    |                  |
|           |                | 1  | 1  | 1  | 1  | 1  | 1  | 432 2984-01   | Cable set         | Ledningssats           |             |                  |
| 13        | 1              | 1  | 1  | 1  | 1  | 1  | 1  | 413 3182-02   | Cable set         | Ledningssats           | Heating     |                  |
|           | 1              | 1  | 1  | 1  | 1  | 1  | 1  | 413 2915-02   | Cable set         | Ledningssats           | MOP Heating |                  |
| 14        | Rq             | Rq | Rq | Rq | Rq | Rq | Rq | 432 2954-03   | Cable set         | Ledningssats           |             |                  |
| 15        | Rq             | Rq | Rq | Rq | Rq | Rq | Rq | 432 2954-13   | Cable set         | Ledningssats           |             |                  |
|           | Rq             | Rq | Rq | Rq | Rq | Rq | Rq | 432 2954-14   | Cable set         | Ledningssats           | MOP         |                  |
| 16        | 1              | 1  |    |    |    |    |    | 432 2983-03   | Cable set         | Ledningssats           |             |                  |
|           |                |    | 1  | 1  | 1  | 1  | 1  | 432 2983-04   | Cable set         | Ledningssats           |             |                  |
| 17        | 1              | 1  | 1  | 1  | 1  | 1  | 1  | 432 3092-86   | Cable set         | Ledningssats           |             |                  |
| 18        | 1              | 1  | 1  | 1  | 1  | 1  | 1  | 432 3106-01   | Cable set         | Ledningssats           | Trafo       |                  |
| 19        | 1              | 1  | 1  | 1  | 1  | 1  | 1  | 413 3082-35   | Cable set         | Ledningssats           |             |                  |
| 20        | 1              | 1  | 1  | 1  | 1  | 1  | 1  | 413 2905-02   | Cable set         | Ledningssats           | Trafo       |                  |
| 21        | 1              | 1  | 1  | 1  | 1  | 1  | 1  | 432 2257-01   | Mounting plate    | Monteringsplåt         |             |                  |
| 22        | 1              | 1  | 1  | 1  | 1  | 1  | 1  | 432 6805-07   | Power supply unit | Strömförsörjningsenhet | 3,15A       |                  |
| 23        | 1              | 1  | 1  | 1  | 1  | 1  | 1  | 432 6320-01   | Clamp             | Klamma                 |             |                  |
| 24        | 1              | 1  | 1  | 1  | 1  | 1  | 1  | 432 2256-01   | Plate             | Plåt                   |             |                  |
| 25        | 1              | 1  | 1  | 1  | 1  | 1  | 1  | 432 6930-03   | I/O module        | I/O modul              | Type 2      |                  |
| 26        | Rq             | Rq | Rq | Rq | Rq | Rq | Rq | 438 8701-01   | Multistik         | Kantanslutning         |             |                  |
|           | Rq             | Rq | Rq | Rq | Rq | Rq | Rq | 438 8701-03   | Multistik         | Kantanslutning         |             |                  |
| 27        | 1              | 1  | 1  | 1  | 1  | 1  | 1  | 413 3274-01   | Cable set         | Ledningssats           |             |                  |
| 28        |                |    | 1  | 1  | 1  | 1  | 1  | 432 6903-03   | I/O module        | I/O modul              | Type 1      |                  |



**W575H Compass,W5105H Compass,W5130H Compass,W5180H Compass,W5240H Compass,W5300H Compass**

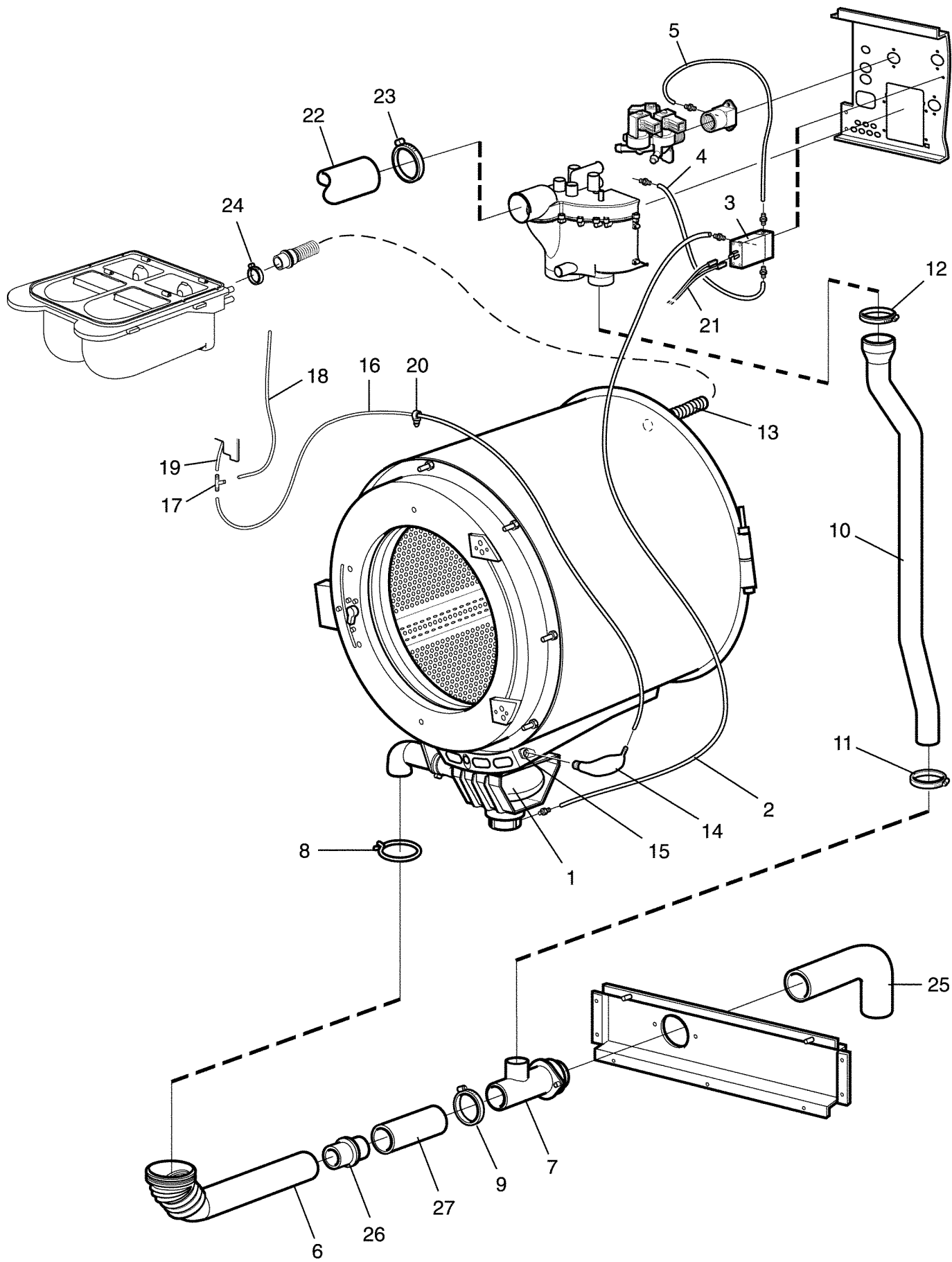
**Electric components connection**

Illustration Issue Month Year  
Illustration Utgåva Månad År

**Eldetaljer anslutning**

**500286 1 4 2013**

| Item Pos. | Quantity Antal |   |   |   |   |   | Art.No Art.nr | Description           | Benämning    | Info Info | Notes Anmärkning           |
|-----------|----------------|---|---|---|---|---|---------------|-----------------------|--------------|-----------|----------------------------|
|           | W575H Compass  |   |   |   |   |   |               |                       |              |           |                            |
|           | W5105H Compass |   |   |   |   |   |               |                       |              |           |                            |
|           | W5130H Compass |   |   |   |   |   |               |                       |              |           |                            |
|           | W5180H Compass |   |   |   |   |   |               |                       |              |           |                            |
|           | W5240H Compass |   |   |   |   |   |               |                       |              |           |                            |
|           | W5300H Compass |   |   |   |   |   |               |                       |              |           |                            |
|           | 1              | 1 | 1 | 1 | 1 | 1 | 432 6903-02   | I/O module            | I/O modul    |           | Type 11                    |
|           | 1              | 1 | 1 | 1 | 1 | 1 | 432 6933-03   | I/O module            | I/O modul    |           | Type 3                     |
| 29        |                |   |   |   |   |   |               | Sign                  | Skylt        |           |                            |
| 30        | 1              | 1 | 1 | 1 | 1 | 1 | 413 3274-32   | Cable set             | Ledningssats |           | 4-pole                     |
| 31        | 1              | 1 | 1 | 1 | 1 | 1 | 413 3084-25   | Cable set             | Ledningssats |           | 4-pole                     |
| 32        | 1              | 1 | 1 | 1 | 1 | 1 | 432 6323-01   | Cover                 | Skydd        |           |                            |
| 33        | 1              | 1 | 1 | 1 | 1 | 1 | 438 8797-02   | Printed circuit board | Kretskort    |           |                            |
| 34        | 2              | 2 | 2 | 2 | 2 | 2 | 471 8750-11   | •Fuse                 | •Säkring     |           | 1,25A                      |
| 35        | 3              | 3 | 3 | 3 | 3 | 3 | 471 7960-02   | Support               | Stöd         |           |                            |
| 36        | 1              | 1 | 1 | 1 | 1 | 1 | 413 3082-05   | Cable set             | Ledningssats |           |                            |
| 37        | 1              | 1 | 1 | 1 | 1 | 1 | 471 7984-01   | Grommet               | Genomföring  |           |                            |
| 38        | 1              | 1 | 1 | 1 | 1 | 1 | 438 7950-02   | Cover washer          | Täckbricka   |           | 14-pole                    |
| 39        | 1              | 1 | 1 | 1 | 1 | 1 | 438 7950-01   | Cover washer          | Täckbricka   |           | 4-pole                     |
| 40        | 1              | 1 | 1 | 1 | 1 | 1 | 413 2946-01   | Cable set             | Ledningssats |           |                            |
| 41        | 2              | 2 | 2 | 2 | 2 | 2 | 471 7977-03   | Cover plug            | Täckpropp    |           |                            |
| 42        | 1              | 1 | 1 | 1 | 1 | 1 | 471 7977-04   | Cover plug            | Täckpropp    |           |                            |
| 43        | 1              | 1 | 1 | 1 | 1 | 1 | 432 1220-01   | Cover                 | Skydd        |           |                            |
| 44        | 1              | 1 | 1 | 1 | 1 | 1 | 432 3604-01   | Cover                 | Lock         |           | With hole                  |
|           | 1              | 1 | 1 | 1 | 1 | 1 | 432 3604-02   | Cover                 | Lock         |           | Without hole               |
| 45        | 1              | 1 | 1 | 1 | 1 | 1 | 471 9678-94   | Knob                  | Vred         |           |                            |
| 46        | 1              | 1 | 1 | 1 | 1 | 1 | 471 4673-93   | Sign                  | Skylt        |           | I/O-card type 2            |
| 47        | 1              | 1 | 1 | 1 | 1 | 1 | 413 3084-02   | Cable set             | Ledningssats |           | 4-pole P-bus               |
| 48        | 1              | 1 |   |   |   |   | 413 2918-01   | Cable set             | Ledningssats |           | 2-pole 10A                 |
|           | 1              | 1 |   |   |   |   | 413 2918-02   | Cable set             | Ledningssats |           | 2-pole Trafo and choke 10A |
|           |                |   | 1 |   |   |   | 413 2918-03   | Cable set             | Ledningssats |           | 2-pole 16A                 |
|           |                |   | 1 |   |   |   | 413 2918-04   | Cable set             | Ledningssats |           | 2-pole Trafo and choke 16A |
|           |                |   |   | 1 | 1 | 1 | 413 2918-05   | Cable set             | Ledningssats |           | 4-pole 20A                 |
|           |                |   |   | 1 | 1 | 1 | 413 2918-06   | Cable set             | Ledningssats |           | 4-pole Trafo and choke 20A |
| 49        | 4              | 4 | 4 | 4 | 4 | 4 | 471 7958-02   | Support               | Stöd         |           |                            |
| 50        | 1              | 1 | 1 | 1 | 1 | 1 | 413 1226-01   | Printed circuit board | Kretskort    |           | ELS Network interface      |



**W575H Compass,W5105H Compass,W5130H Compass,W5180H Compass,W5240H Compass,W5300H Compass**

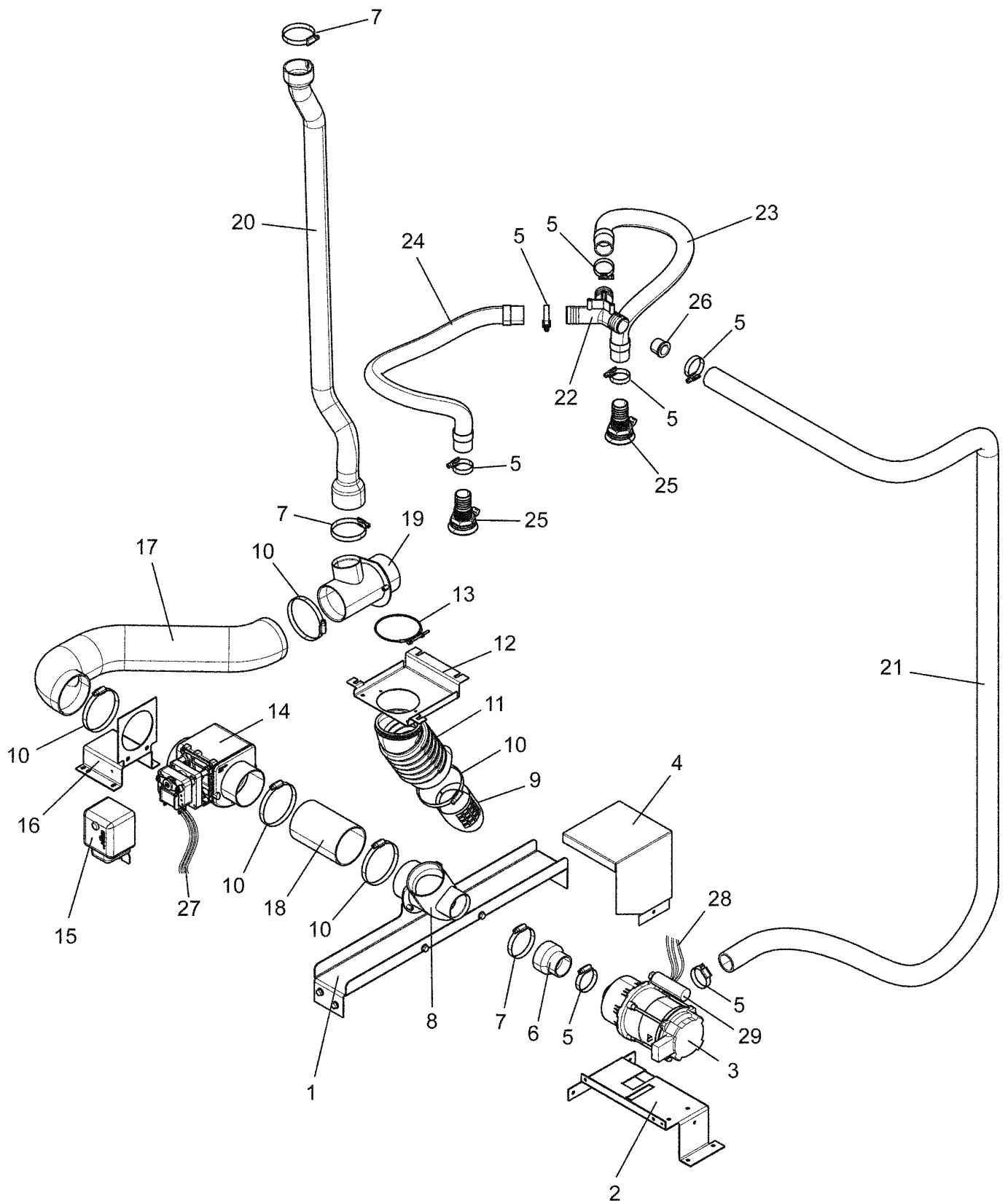
**Drain valve and hoses**

Illustration Issue Month Year  
Illustration Utgåva Månad År

**Avloppsventil och slangar**

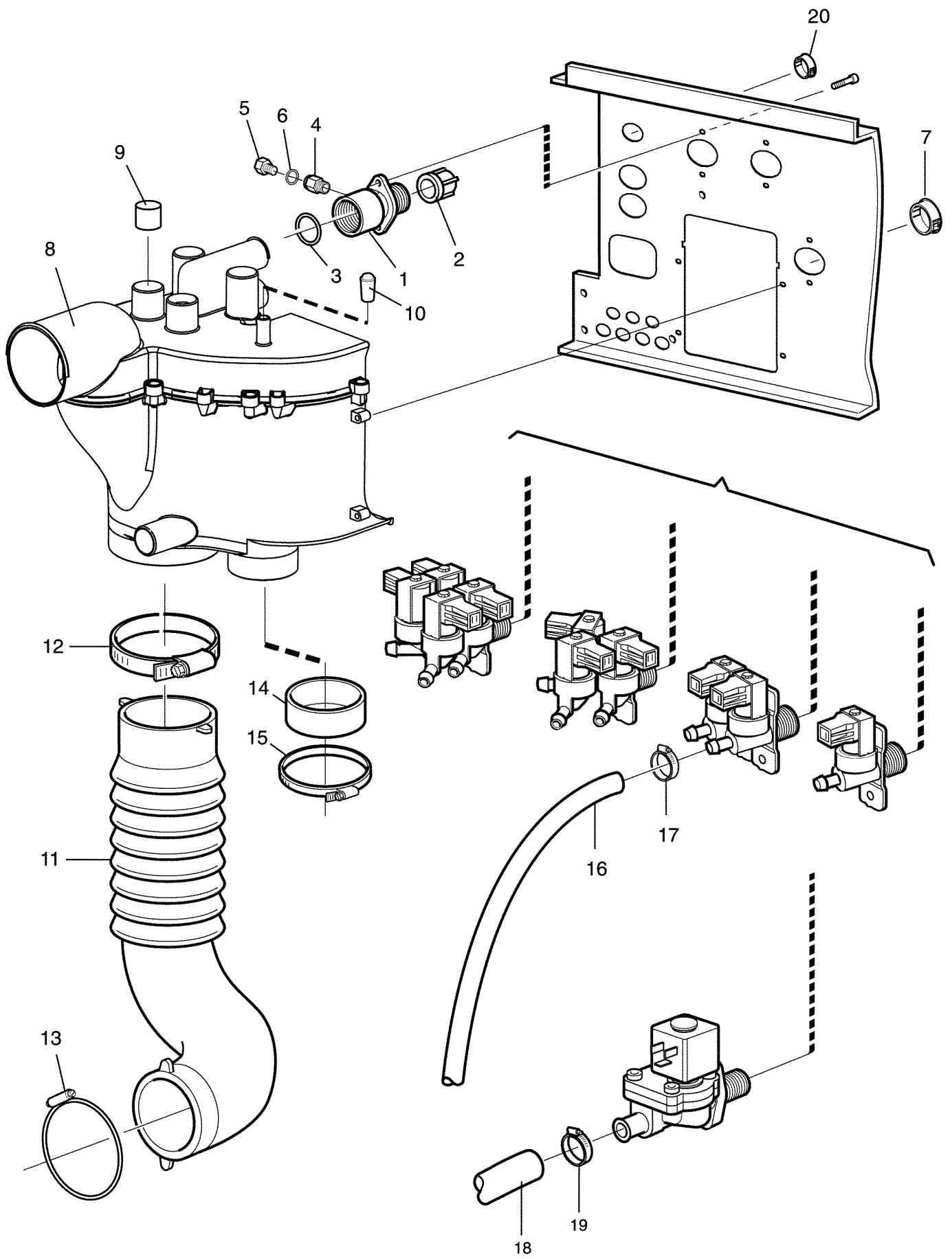
**500287 3 3 2014**

| Item Pos. | Quantity Antal |    |    |    |   |   |   | Art.No Art.nr | Description           | Benämning     | Info Info | Notes Anmärkning |
|-----------|----------------|----|----|----|---|---|---|---------------|-----------------------|---------------|-----------|------------------|
|           | W575H Compass  |    |    |    |   |   |   |               |                       |               |           |                  |
|           | W5105H Compass |    |    |    |   |   |   |               |                       |               |           |                  |
|           | W5130H Compass |    |    |    |   |   |   |               |                       |               |           |                  |
|           | W5180H Compass |    |    |    |   |   |   |               |                       |               |           |                  |
|           | W5240H Compass |    |    |    |   |   |   |               |                       |               |           |                  |
|           | W5300H Compass |    |    |    |   |   |   |               |                       |               |           |                  |
| 1         | 1              | 1  | 1  | 1  | 1 | 1 | 1 | 432 2502-01   | Drain valve           | Avloppsventil |           |                  |
| 2         | 1              | 1  | 1  |    |   |   |   | 471 8139-11   | Hose                  | Slang         |           | L=1900           |
|           |                |    |    | 1  | 1 | 1 |   | 471 8139-16   | Hose                  | Slang         |           | L=2250           |
| 3         | 1              | 1  | 1  | 1  | 1 | 1 | 1 | 471 8243-07   | Solenoid valve        | Magnetventil  |           | 230V 50Hz        |
|           | 1              | 1  | 1  | 1  | 1 | 1 | 1 | 471 8243-08   | Solenoid valve        | Magnetventil  |           | 208-240V 60Hz    |
|           | 1              | 1  | 1  | 1  | 1 | 1 | 1 | 471 8243-09   | Solenoid valve        | Magnetventil  |           | 120V 60Hz        |
|           | 1              | 1  | 1  | 1  | 1 | 1 | 1 | 471 8243-10   | Solenoid valve        | Magnetventil  |           | 230V 50/60Hz     |
|           |                |    |    |    |   |   |   |               |                       |               |           | Japan            |
| 4         | 1              | 1  | 1  | 1  | 1 | 1 | 1 | 438 8102-06   | Hose                  | Slang         |           | L=330            |
| 5         | 1              | 1  | 1  | 1  | 1 | 1 | 1 | 471 8139-01   | Hose                  | Slang         |           | L=330            |
| 6         | 1              | 1  |    |    |   |   |   | 432 2515-01   | Hose                  | Slang         |           |                  |
|           |                |    | 1  | 1  | 1 | 1 |   | 432 2516-02   | Hose                  | Slang         |           |                  |
| 7         | 1              | 1  |    |    |   |   |   | 413 5004-01   | Drain pipe connection | Avloppsstos   |           |                  |
|           |                |    | 1  | 1  | 1 | 1 |   | 432 2511-01   | Drain pipe connection | Avloppsstos   |           |                  |
| 8         | 1              | 1  | 1  | 1  | 1 | 1 | 1 | 471 7871-07   | Hose clamp            | Slangklämma   |           |                  |
| 9         | 1              | 1  |    |    |   |   |   | 736 2837-51   | Hose clamp            | Slangklämma   |           | Ø48-54           |
|           |                |    | 1  |    |   |   |   | 736 2840-51   | Hose clamp            | Slangklämma   |           | Ø50-63           |
|           |                |    |    | 4  | 4 | 4 |   | 736 2846-51   | Hose clamp            | Slangklämma   |           | Ø73-83           |
| 10        | 1              |    |    |    |   |   |   | 432 2520-01   | Hose                  | Slang         |           |                  |
|           |                | 1  |    |    |   |   |   | 432 2520-02   | Hose                  | Slang         |           |                  |
|           |                |    | 1  |    |   |   |   | 432 2528-03   | Hose                  | Slang         |           |                  |
|           |                |    |    | 1  | 1 | 1 |   | 432 2528-05   | Hose                  | Slang         |           |                  |
| 11        | 1              | 1  |    |    |   |   |   | 736 2831-51   | Hose clamp            | Slangklämma   |           | Ø36-42           |
|           |                |    | 1  | 1  | 1 | 1 |   | 736 2837-51   | Hose clamp            | Slangklämma   |           | Ø48-54           |
| 12        | 1              | 1  | 1  | 1  | 1 | 1 | 1 | 736 2837-51   | Hose clamp            | Slangklämma   |           | Ø48-54           |
| 13        | 1              |    | 1  |    |   |   |   | 432 2508-01   | Hose                  | Slang         |           |                  |
|           |                | 1  |    | 1  | 1 |   |   | 432 2508-03   | Hose                  | Slang         |           |                  |
|           |                |    |    |    |   | 1 |   | 432 2508-04   | Hose                  | Slang         |           |                  |
| 14        | 1              | 1  | 1  | 1  | 1 | 1 | 1 | 432 2507-01   | Air tube              | Luftklocka    |           |                  |
| 15        | 1              | 1  | 1  | 1  | 1 | 1 | 1 | 432 2506-01   | Connection            | Anslutning    |           |                  |
| 16        | 1              | 1  |    |    |   |   |   | 438 8120-01   | Hose                  | Slang         |           | L=940            |
|           |                |    | 1  | 1  |   |   |   | 438 8120-02   | Hose                  | Slang         |           | L=1325           |
|           |                |    |    | 1  | 1 |   |   | 438 8120-03   | Hose                  | Slang         |           | L=1600           |
| 17        | 1              | 1  | 1  | 1  | 1 | 1 | 1 | 471 2265-69   | T-pipe                | T-rör         |           |                  |
| 18        | 1              | 1  | 1  | 1  | 1 | 1 | 1 | 471 2442-42   | Hose                  | Slang         |           | L=120            |
| 19        | 1              | 1  | 1  | 1  | 1 | 1 | 1 | 471 2464-18   | Hose                  | Slang         |           | L=280            |
| 20        | 3              | 3  | 3  | 3  | 3 | 3 | 3 | 471 7887-01   | Clip                  | Clips         |           |                  |
| 21        | 1              | 1  | 1  |    |   |   |   | 413 3184-02   | Cable set             | Ledningsatts  |           |                  |
|           |                |    |    | 1  | 1 | 1 |   | 413 3184-05   | Cable set             | Ledningsatts  |           |                  |
| 22        | 1              |    |    |    |   |   |   | 471 8128-59   | Hose                  | Slang         |           |                  |
|           |                | 1  |    |    |   |   |   | 471 8128-66   | Hose                  | Slang         |           |                  |
|           |                |    | 1  |    |   |   |   | 471 8128-60   | Hose                  | Slang         |           |                  |
|           |                |    |    | 1  |   |   |   | 471 8128-73   | Hose                  | Slang         |           |                  |
|           |                |    |    |    | 1 |   |   | 471 8128-62   | Hose                  | Slang         |           |                  |
|           |                |    |    |    |   | 1 |   | 471 8128-68   | Hose                  | Slang         |           |                  |
| 23        | 2              | 2  | 2  | 2  | 2 | 2 | 2 | 736 2840-51   | Hose clamp            | Slangklämma   |           | Ø50-63           |
| 24        | 1              | 1  | 1  | 1  | 1 | 1 | 1 | 736 2825-51   | Hose clamp            | Slangklämma   |           | Ø32              |
| 25        | 1              | 1  |    |    |   |   |   | 438 5040-01   | Drain hose            | Avloppsslang  |           | Ø50              |
|           |                |    | 1  | 1  | 1 | 1 |   | 471 4835-01   | Drain hose            | Avloppsslang  |           | Ø75              |
| 26        | Rq             | Rq | Rq | Rq |   |   |   |               |                       |               |           | Not used         |
|           |                |    |    |    | 1 | 1 |   | 438 0083-01   | Joint sleeve          | Skarvhylsa    |           |                  |
| 27        | Rq             | Rq | Rq | Rq |   |   |   |               |                       |               |           | Not used         |
|           |                |    |    |    | 1 | 1 |   | 471 8128-54   | Hose                  | Slang         |           |                  |





| <b>W5180H Compass</b>           |              |                  |                       | Illustration    | Issue        | Month               | Year        |
|---------------------------------|--------------|------------------|-----------------------|-----------------|--------------|---------------------|-------------|
| <b>Drain with recirculation</b> |              |                  |                       | Illustration    | Utgåva       | Månad               | År          |
| <b>Avlopp med recirkulation</b> |              |                  |                       | <b>500565/2</b> | <b>3</b>     | <b>9</b>            | <b>2015</b> |
| Item<br>Pos.                    | Qua.<br>Ant. | Art.No<br>Art.nr | Description           | Benämning       | Info<br>Info | Notes<br>Anmärkning |             |
| 1                               | 1            | 432 2551-01      | Bracket               | Fäste           |              |                     |             |
| 2                               | 1            | 432 2550-01      | Bracket               | Fäste           |              |                     |             |
| 3                               | 1            | 438 8271-01      | Pump                  | Pump            |              | 50Hz                |             |
|                                 | 1            | 438 8271-02      | Pump                  | Pump            |              | 60Hz                |             |
| 4                               | 1            | 432 2552-01      | Cover                 | Skydd           |              |                     |             |
| 5                               | 7            | 736 2831-51      | Hose clamp            | Slangklämma     |              | Ø36-42              |             |
| 6                               | 1            | 432 2511-05      | Adapter               | Adapter         |              |                     |             |
| 7                               | 3            | 736 2837-51      | Hose clamp            | Slangklämma     |              | Ø48-54              |             |
| 8                               | 1            | 432 2511-03      | Drain pipe connection | Avloppsstos     |              |                     |             |
| 9                               | 1            | 432 2511-06      | Filter                | Filter          |              |                     |             |
| 10                              | 5            | 736 2846-51      | Hose clamp            | Slangklämma     |              | Ø73-83              |             |
| 11                              | 1            | 432 2516-06      | Hose                  | Slang           |              |                     |             |
| 12                              | 1            | 432 2534-01      | Mounting plate        | Fästplåt        |              |                     |             |
| 13                              | 1            | 471 7871-01      | Hose clamp            | Slangklämma     |              |                     |             |
| 14                              | 1            | 471 8215-01      | Drain valve           | Avloppsventil   |              | 50/60Hz             |             |
| 15                              | 1            | 432 2548-01      | Cover                 | Kåpa            |              |                     |             |
| 16                              | 1            | 432 2531-01      | Mounting plate        | Fästplåt        |              |                     |             |
| 17                              | 1            | 432 2518-02      | Hose                  | Slang           |              |                     |             |
| 18                              | 1            | 432 2516-10      | Hose                  | Slang           |              |                     |             |
| 19                              | 1            | 432 2511-01      | Drain pipe connection | Avloppsstos     |              |                     |             |
| 20                              | 1            | 432 2528-05      | Hose                  | Slang           |              |                     |             |
| 21                              | 1            | 432 2558-01      | Hose                  | Slang           |              |                     |             |
| 22                              | 1            | 432 2553-01      | Y-pipe                | Y-rör           |              |                     |             |
| 23                              | 1            | 432 5177-01      | Hose                  | Slang           |              |                     |             |
| 24                              | 1            | 432 5177-02      | Hose                  | Slang           |              |                     |             |
| 25                              | 2            | 432 2554-01      | Hose connection       | Slanganslutning |              |                     |             |
| 26                              | 1            | 432 2562-01      | Reduction             | Strypning       |              | Ø15                 |             |
|                                 | 1            | 432 2561-01      | Reduction             | Strypning       |              | Ø20                 |             |
| * 27                            | 1            | 413 2902-08      | Cable set             | Ledningssats    |              |                     |             |
| * 28                            | 1            | 413 3182-38      | Cable set             | Ledningssats    |              |                     |             |
| * 29                            | 1            | 471 9525-32      | Capacitor             | Kondensator     |              | 6µF                 |             |



**W575H Compass,W5105H Compass,W5130H Compass,W5180H Compass,W5240H Compass,W5300H Compass**

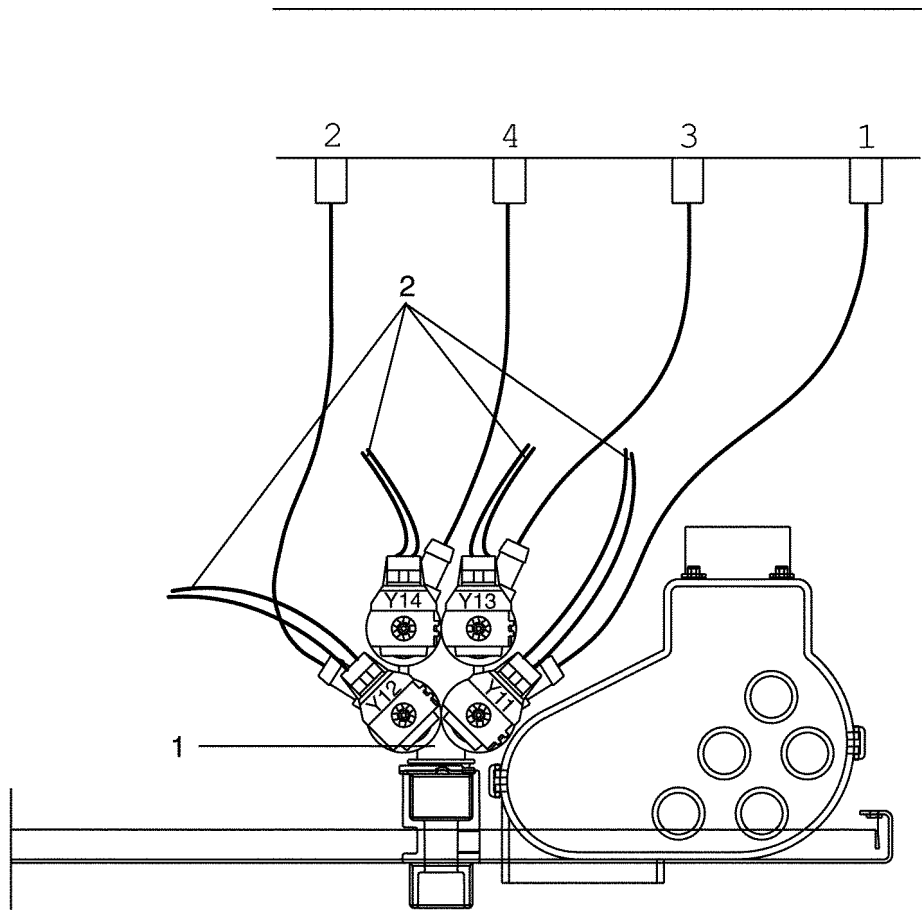
**Water connections**

Illustration Issue Month Year  
Illustration Utgåva Månad År

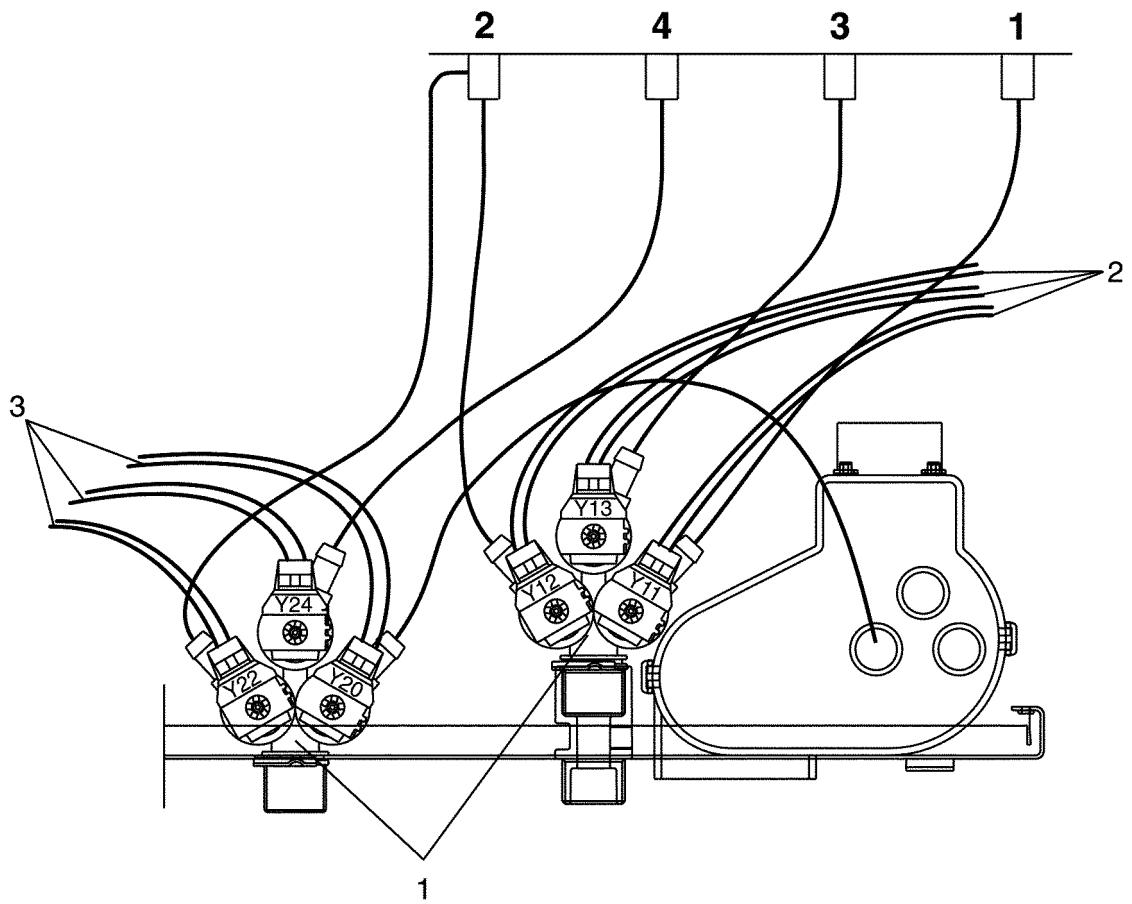
**Vattenanslutningar**

**500288 1 4 2013**

| Item Pos. | Quantity Antal                               |    |    |    | Art.No Art.nr | Description    | Benämning         | Info Info | Notes Anmärkning |
|-----------|--|----|----|----|---------------|----------------|-------------------|-----------|------------------|
|           | W575H Compass                                |    |    |    |               |                |                   |           |                  |
|           | W5105H Compass                               |    |    |    |               |                |                   |           |                  |
|           | W5130H Compass                               |    |    |    |               |                |                   |           |                  |
|           | W5180H Compass,W5240H Compass,W5300H Compass |    |    |    |               |                |                   |           |                  |
| 1         | 1  | 1  | 1  | 1  | 438 0056-03   | Nipple         | Nippel            |           | Black, 3/4"      |
|           | 1  | 1  | 1  | 1  | 438 0056-04   | Nipple         | Nippel            |           | White, 3/4", USA |
| 2         | 1  | 1  | 1  | 1  | 471 8693-21   | Filter         | Filter            |           |                  |
| 3         | 1  | 1  | 1  | 1  | 471 8199-01   | Gasket         | Packning          |           |                  |
| 4         | 1  | 1  | 1  | 1  | 471 8688-13   | Nipple         | Nippel            |           | 1/8"             |
| 5         | 1  | 1  | 1  | 1  | 741 5109-25   | Plug           | Propp             |           | El-drain         |
| 6         | 1  | 1  | 1  | 1  | 740 4206-00   | O-ring         | O-ring            |           | El-drain         |
| 7         | Rq   | Rq | Rq | Rq | 471 7977-04   | Cover plug     | Täckpropp         |           |                  |
| 8         | 1  | 1  | 1  | 1  | 432 2320-01   | Siphon breaker | Återsugningsskydd |           |                  |
| 9         | Rq   | Rq | Rq | Rq | 471 8175-01   | Plug           | Plugg             |           |                  |
| 10        | 1  | 1  | 1  | 1  | 471 8644-02   | Plug           | Propp             |           |                  |
| 11        | 1  |    |    |    | 432 2312-01   | Hose           | Slang             |           |                  |
|           |  | 1  |    |    | 432 2305-01   | Hose           | Slang             |           |                  |
|           |  |    | 1  | 1  | 432 2306-01   | Hose           | Slang             |           |                  |
| 12        | 1  | 1  | 1  | 1  | 736 2846-51   | Hose clamp     | Slangklämma       |           | Ø73-83           |
| 13        | 1  | 1  |    |    | 471 7871-08   | Hose clamp     | Slangklämma       |           |                  |
|           |  |    | 1  | 1  | 471 7871-04   | Hose clamp     | Slangklämma       |           |                  |
| 14        | 1  | 1  |    |    | 471 2409-89   | Hood           | Huv               |           | Pump             |
|           |  |    | Rq | Rq |               |                |                   |           | Not used         |
| 15        | 1  | 1  |    |    | 736 2837-51   | Hose clamp     | Slangklämma       |           | Ø48-54 Pump      |
|           |  |    | Rq | Rq |               |                |                   |           | Not used         |
| 16        | Rq   | Rq | Rq | Rq | 877 5211-08   | Hose           | Slang             |           | Per 1 m          |
| 17        | Rq   | Rq | Rq | Rq | 736 2816-51   | Hose clamp     | Slangklämma       |           | Ø13-19           |
| 18        | Rq   | Rq | Rq |    |               |                |                   |           | Not used         |
|           |  |    |    | Rq | 432 2308-01   | Hose           | Slang             |           | Hard water       |
|           |  |    |    | Rq | 432 2314-01   | Hose           | Slang             |           |                  |
| 19        | Rq   | Rq | Rq |    |               |                |                   |           | Not used         |
|           |  |    |    | 1  | 736 2825-51   | Hose clamp     | Slangklämma       |           | Ø32              |
| 20        | 1  | 1  | 1  | 1  | 471 7977-01   | Cover plug     | Täckpropp         |           |                  |







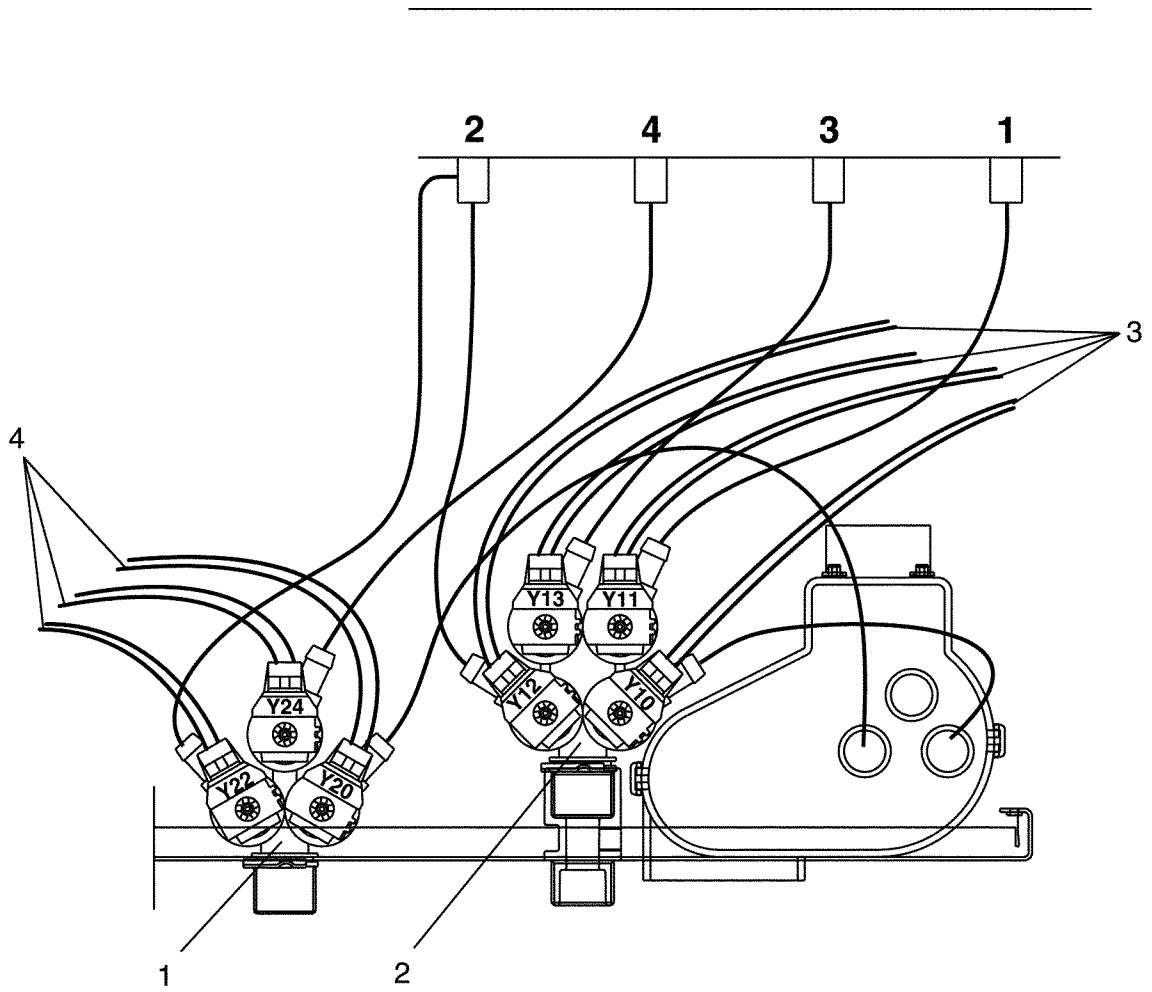
**W575H Compass,W5105H Compass,W5130H Compass**

**Inlet valves and cable set**

Illustration Issue Month Year  
Illustration Utgåva Månad År  
**500290 1 4 2013**

**Inloppsventiler och ledningssatser**

| Item Pos. | Quantity Antal | Art.No Art.nr | Description    | Benämning             | Info Info    | Notes Anmärkning     |
|-----------|----------------|---------------|----------------|-----------------------|--------------|----------------------|
|           |                |               | W575H Compass  |                       |              |                      |
|           |                |               | W5105H Compass |                       |              |                      |
|           |                |               | W5130H Compass |                       |              |                      |
| 1         | 2              | 2             | 2              | 471 8236-76 Valve     | Ventil       | 3-way, 208-240V      |
|           | 2              | 2             | 2              | 471 8236-78 Valve     | Ventil       | 50/60Hz, BSP         |
|           | 2              |               |                | 471 8236-79 Valve     | Ventil       | 3-way, 208-240V      |
|           |                |               |                |                       |              | 50/60Hz, NH USA US   |
| 2         | 1              |               |                | 413 3086-07 Cable set | Ledningssats | 3-way, 120V 60Hz, NH |
|           |                | 1             | 1              | 413 3086-07 Cable set | Ledningssats | USA US               |
|           |                | 1             | 1              | 413 3086-08 Cable set | Ledningssats | Cold                 |
| 3         | 1              |               |                | 413 3086-08 Cable set | Ledningssats | Cold                 |
|           |                | 1             | 1              |                       |              | Hot                  |
|           |                |               |                |                       |              | Hot                  |





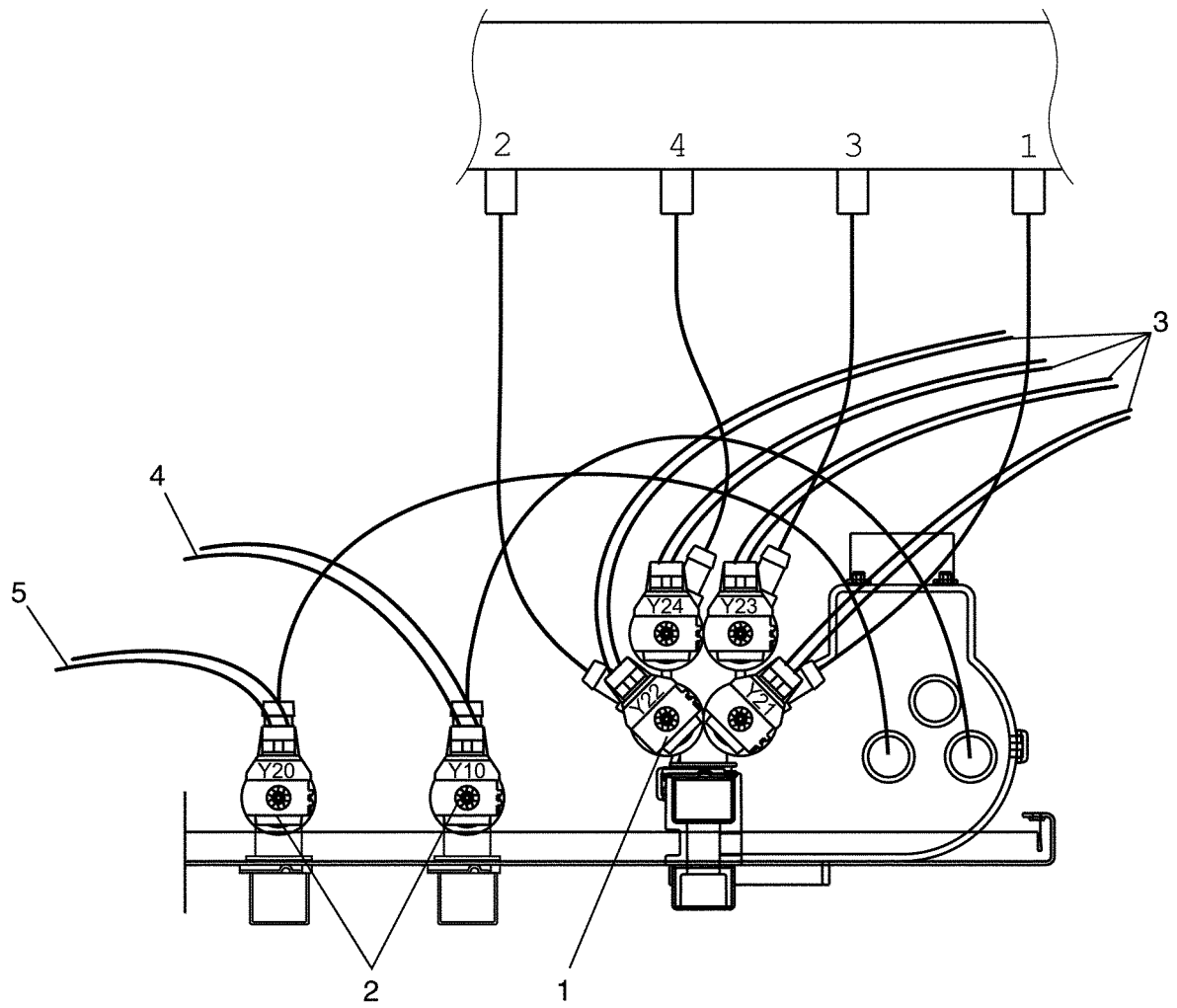
**W575H Compass,W5105H Compass,W5130H Compass,W5180H Compass**

**Inlet valves and cable set**

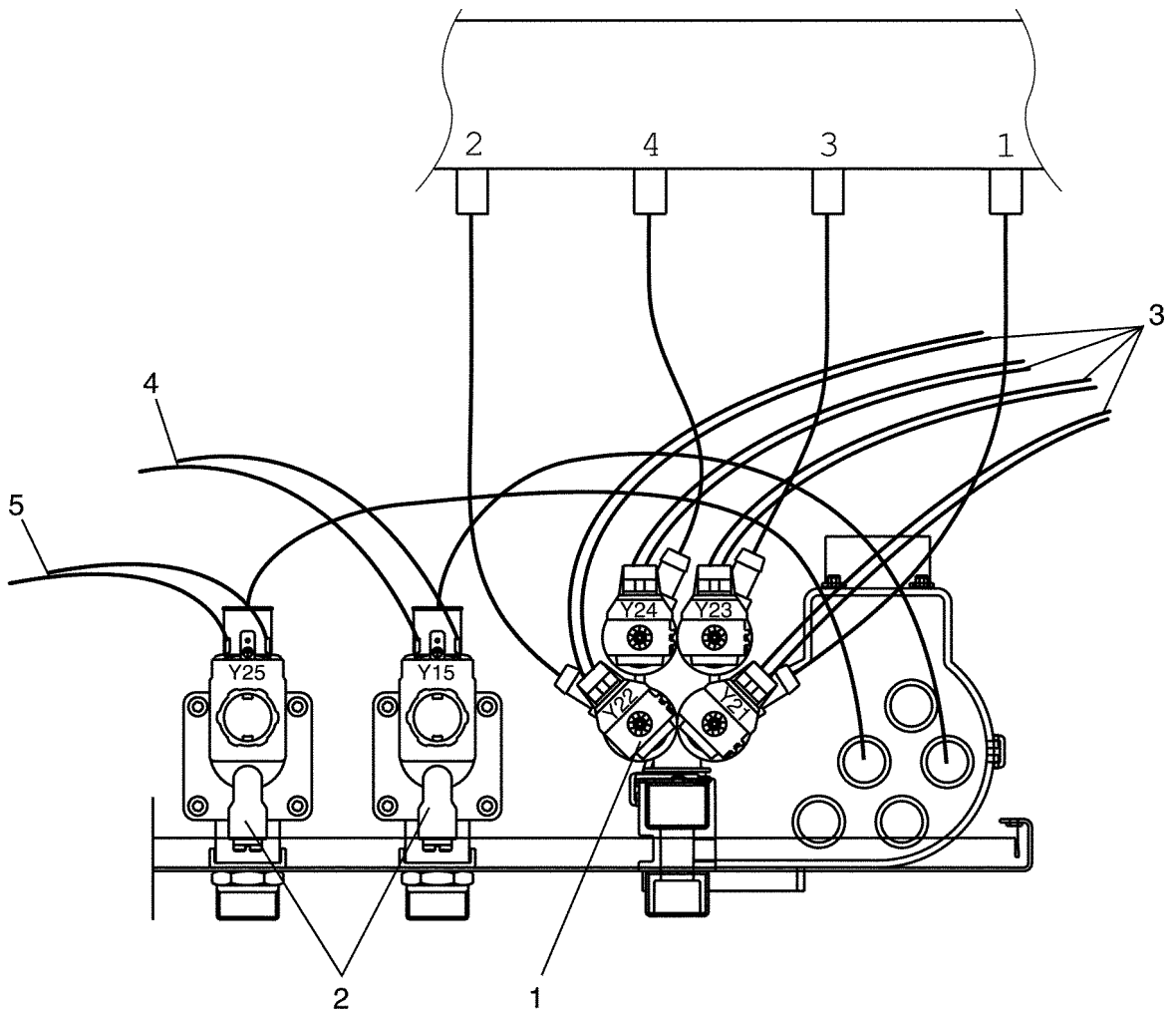
Illustration Issue Month Year  
Illustration Utgåva Månad År  
**500291 1 4 2013**

**Inloppsventiler och ledningssatser**

| Item Pos. | Quantity Antal | Art.No Art.nr | Description    | Benämning    | Info Info | Notes Anmärkning                         |
|-----------|----------------|---------------|----------------|--------------|-----------|--|
|           |                |               | W575H Compass  |              |           |  |
|           |                |               | W5105H Compass |              |           |  |
|           |                |               | W5130H Compass |              |           |  |
|           |                |               | W5180H Compass |              |           |  |
| 1         | 1              | 471 8236-76   | Valve          | Ventil       |           | 3-way, 208-240V<br>50/60Hz, BSP          |
|           | 1              | 471 8236-78   | Valve          | Ventil       |           | 3-way, 208-240V<br>50/60Hz, NH USA<br>US |
|           | 1              | 471 8236-79   | Valve          | Ventil       |           | 3-way, 120V 60Hz,<br>NH USA US           |
| 2         | 1              | 471 8240-64   | Valve          | Ventil       |           | 4-way, 208-240V<br>50/60Hz, BSP          |
|           | 1              | 471 8240-67   | Valve          | Ventil       |           | 4-way, 120V 60Hz,<br>NH USA              |
|           | 1              | 471 8240-68   | Valve          | Ventil       |           | 4-way, 208-240V<br>50/60Hz, NH USA<br>US |
| 3         | 1              | 413 3088-07   | Cable set      | Ledningssats |           | Cold                                     |
|           | 1              | 413 3088-07   | Cable set      | Ledningssats |           |  |
|           | 1              | 413 3088-10   | Cable set      | Ledningssats |           |  |
| 4         | 1              | 413 3086-08   | Cable set      | Ledningssats |           | Hot                                      |
|           | 1              | 413 3086-08   | Cable set      | Ledningssats |           |  |
|           | 1              | 413 3086-10   | Cable set      | Ledningssats |           |  |







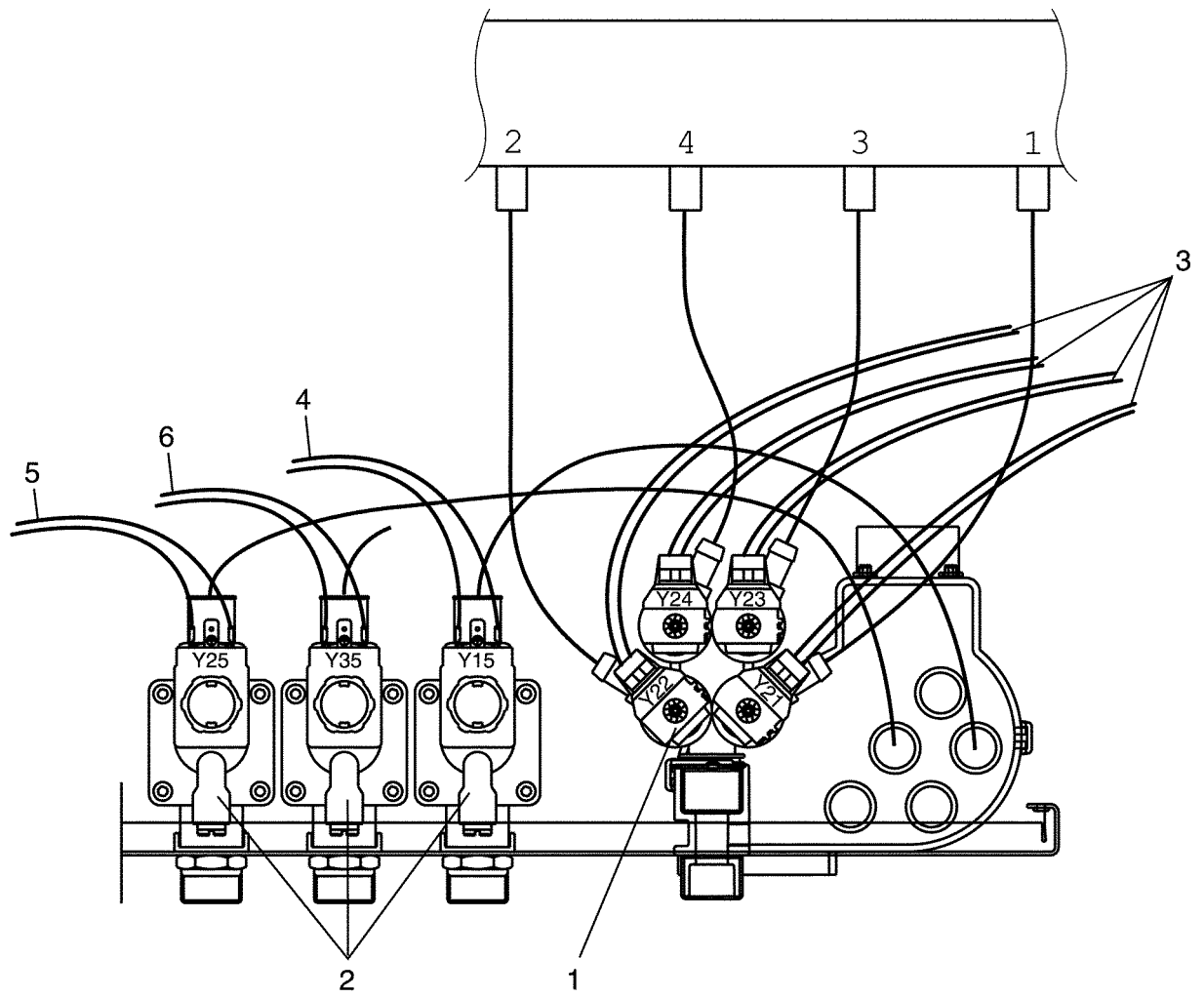
**W5130H Compass,W5180H Compass,W5240H Compass**

**Inlet valves and cable set**

Illustration Issue Month Year  
Illustration Utgåva Månad År  
**500302 1 4 2013**

**Inloppsventiler och ledningssatser**

| Item Pos. | Quantity Antal | Art.No Art.nr | Description    | Benämning | Info Info    | Notes Anmärkning      |
|-----------|----------------|---------------|----------------|-----------|--------------|-----------------------|
|           |                |               | W5130H Compass |           |              |                       |
|           |                |               | W5180H Compass |           |              |                       |
|           |                |               | W5240H Compass |           |              |                       |
| 1         | 1              | 1             | 1 471 8240-63  | Valve     | Ventil       | 4-way, 208-240V       |
|           | 1              | 1             | 1 471 8240-69  | Valve     | Ventil       | 50/60Hz, BSP          |
| 2         | 2              | 2             | 2 471 8210-70  | Valve     | Ventil       | 4-way, 208-240V       |
|           | 1              | 1             | 1 471 8210-79  | •Coil     | •Spole       | 50/60Hz, NH USA USA   |
|           | 2              | 2             | 2 471 8210-71  | Valve     | Ventil       | 208-240V 50/60Hz, BSP |
|           | 1              | 1             | 1 471 8210-78  | •Coil     | •Spole       | 50/60 Hz              |
| 3         | 1              | 1             | 1 413 3088-08  | Cable set | Ledningssats | 208-240V 60Hz, NH     |
|           |                | 1             | 1 413 3088-10  | Cable set | Ledningssats | USA USA               |
|           |                | 1             | 1 413 3088-10  | Cable set | Ledningssats | 60Hz                  |
| 4         | 1              | 1             | 1 413 3182-09  | Cable set | Ledningssats |                       |
|           |                | 1             | 1 413 3182-15  | Cable set | Ledningssats |                       |
|           |                | 1             | 1 413 3182-15  | Cable set | Ledningssats |                       |
| 5         | 1              | 1             | 1 413 3182-10  | Cable set | Ledningssats |                       |
|           |                | 1             | 1 413 3182-16  | Cable set | Ledningssats |                       |
|           |                | 1             | 1 413 3182-16  | Cable set | Ledningssats |                       |



**W5130H Compass,W5180H Compass,W5240H Compass,W5300H Compass**

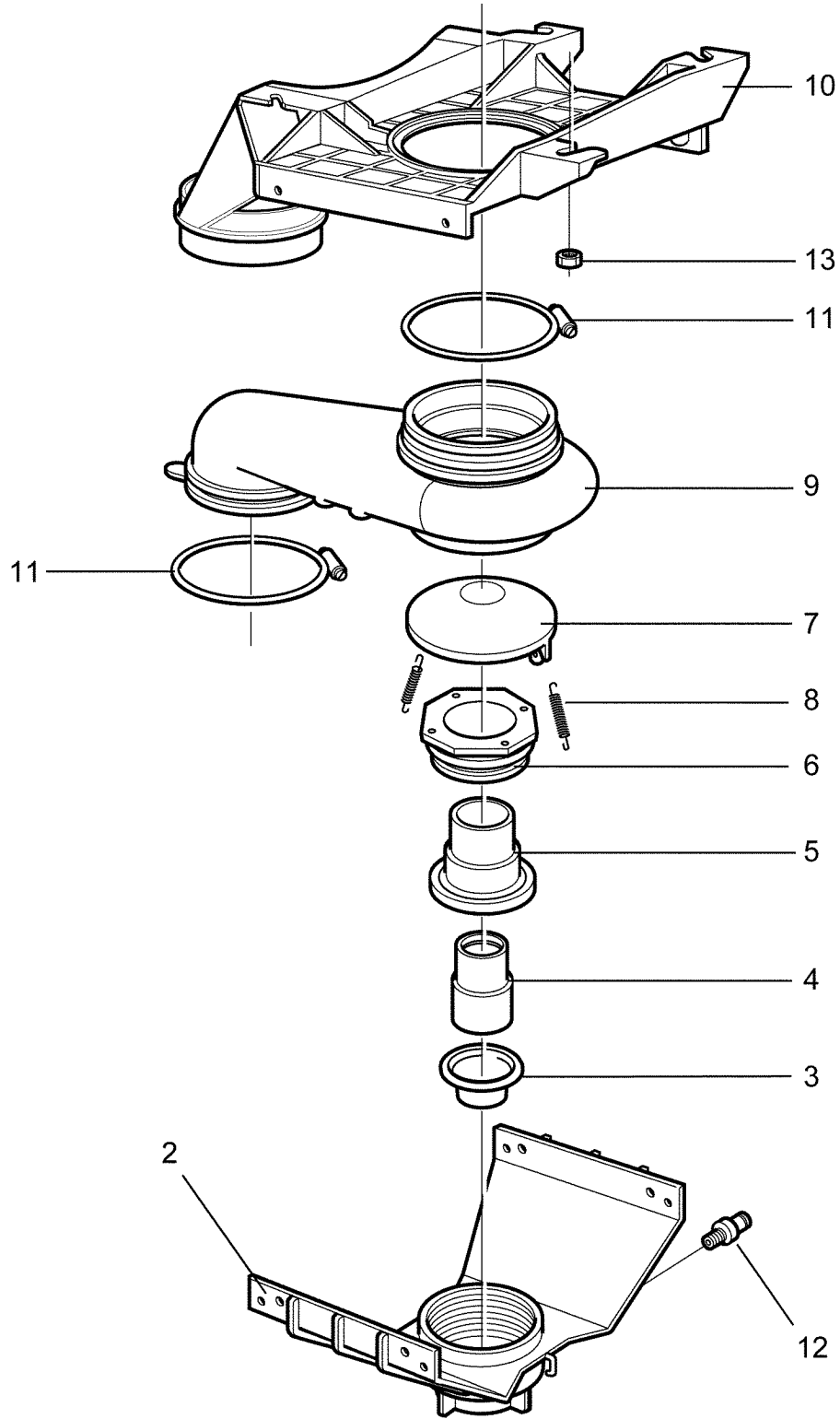
**Inlet valves and cable set**

Illustration Issue Month Year  
Illustration Utgåva Månad År  
**500303 1 4 2013**

**Inloppsventiler och ledningssatser**

| Item Pos. | Quantity Antal | Art.No Art.nr | Description    | Benämning | Info Info   | Notes Anmärkning |              |   |
|-----------|----------------|---------------|----------------|-----------|-------------|------------------|--------------|---|
|           |                |               | W5130H Compass |           |             |                  |              |   |
|           |                |               | W5180H Compass |           |             |                  |              |   |
|           |                |               | W5240H Compass |           |             |                  |              |   |
|           |                |               | W5300H Compass |           |             |                  |              |   |
| 1         | 1              | 1             | 1              | 1         | 471 8240-63 | Valve            | Ventil       | 4-way, 208-240V<br>50/60Hz, BSP           |
|           | 1              | 1             | 1              | 1         | 471 8240-69 | Valve            | Ventil       | 4-way, 208-240V<br>50/60Hz, NH USA<br>USA |
| 2         | 3              | 3             | 3              | 3         | 471 8210-70 | Valve            | Ventil       | 208-240V 50/60Hz,<br>BSP                  |
|           | 1              | 1             | 1              | 1         | 471 8210-79 | •Coil            | •Spole       | 50/60 Hz                                  |
|           | 3              | 3             | 3              | 3         | 471 8210-71 | Valve            | Ventil       | 208-240V 60Hz, NH<br>USA USA              |
|           | 1              | 1             | 1              | 1         | 471 8210-78 | •Coil            | •Spole       | 60Hz                                      |
| 3         | 1              |               |                |           | 413 3088-08 | Cable set        | Ledningssats |   |
|           |                | 1             |                |           | 413 3088-10 | Cable set        | Ledningssats |   |
|           |                |               | 1              | 1         | 413 3088-10 | Cable set        | Ledningssats |   |
| 4         | 1              |               |                |           | 413 3182-09 | Cable set        | Ledningssats |   |
|           |                | 1             |                |           | 413 3182-15 | Cable set        | Ledningssats |   |
|           |                |               | 1              | 1         | 413 3182-15 | Cable set        | Ledningssats |   |
| 5         | 1              |               |                |           | 413 3182-10 | Cable set        | Ledningssats |   |
|           |                | 1             |                |           | 413 3182-16 | Cable set        | Ledningssats |   |
|           |                |               | 1              | 1         | 413 3182-16 | Cable set        | Ledningssats |   |
| 6         | 1              |               |                |           | 413 3182-11 | Cable set        | Ledningssats |   |
|           |                | 1             |                |           | 413 3182-14 | Cable set        | Ledningssats |   |
|           |                |               | 1              | 1         | 413 3182-17 | Cable set        | Ledningssats |   |

1





**W575H Compass,W5105H Compass,W5130H Compass,W5180H Compass,W5240H Compass,W5300H Compass**

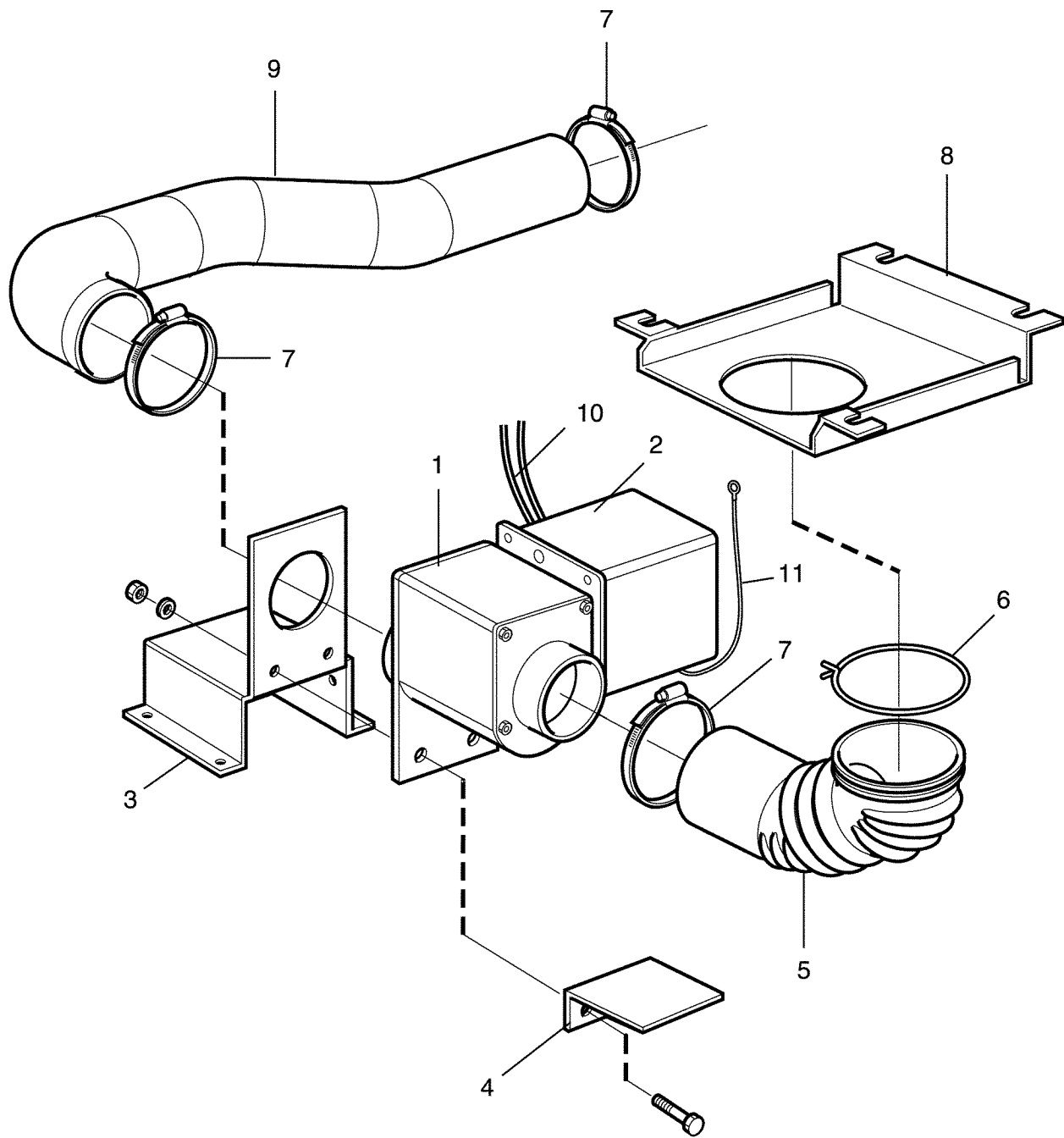
**Drain valve**

Illustration Issue Month Year  
Illustration Utgåva Månad År

**Avloppsventil**

**500293 1 4 2013**

| Item Pos. | Qua. Ant. | Art.No Art.nr | Description   | Benämning     | Info Info | Notes Anmärkning |
|-----------|-----------|---------------|---------------|---------------|-----------|------------------|
| 1         | 1         | 432 2502-01   | Drain valve   | Avloppsventil |           |                  |
| 2         | 1         | 438 0051-01   | •Lower frame  | •Underdel     |           |                  |
| 3         | 1         | 471 8195-01   | •Diaphragm    | •Membran      |           |                  |
| 4         | 1         | 438 0054-01   | •Piston       | •Kolv         |           |                  |
| 5         | 1         | 438 0053-01   | •Housing      | •Hus          |           |                  |
| 6         | 1         | 438 0055-01   | •Gland        | •Gland        |           |                  |
| 7         | 1         | 438 0052-01   | •Cover        | •Lock         |           |                  |
| 8         | 2         | 471 7818-01   | •Spring       | •Fjäder       |           |                  |
| 9         | 1         | 432 2505-01   | •Hose housing | •Slanghus     |           |                  |
| 10        | 1         | 432 2501-01   | •Upper frame  | •Överdel      |           |                  |
| 11        | 2         | 471 7871-04   | •Hose clamp   | •Slangklämma  |           |                  |
| 12        | 1         | 471 8688-13   | •Nipple       | •Nippel       |           | 1/8"             |
| 13        | 4         | 471 8404-03   | Nut           | Mutter        |           | M6 Stainless     |



**W575H Compass,W5105H Compass,W5130H Compass,W5180H Compass,W5240H Compass,W5300H Compass**

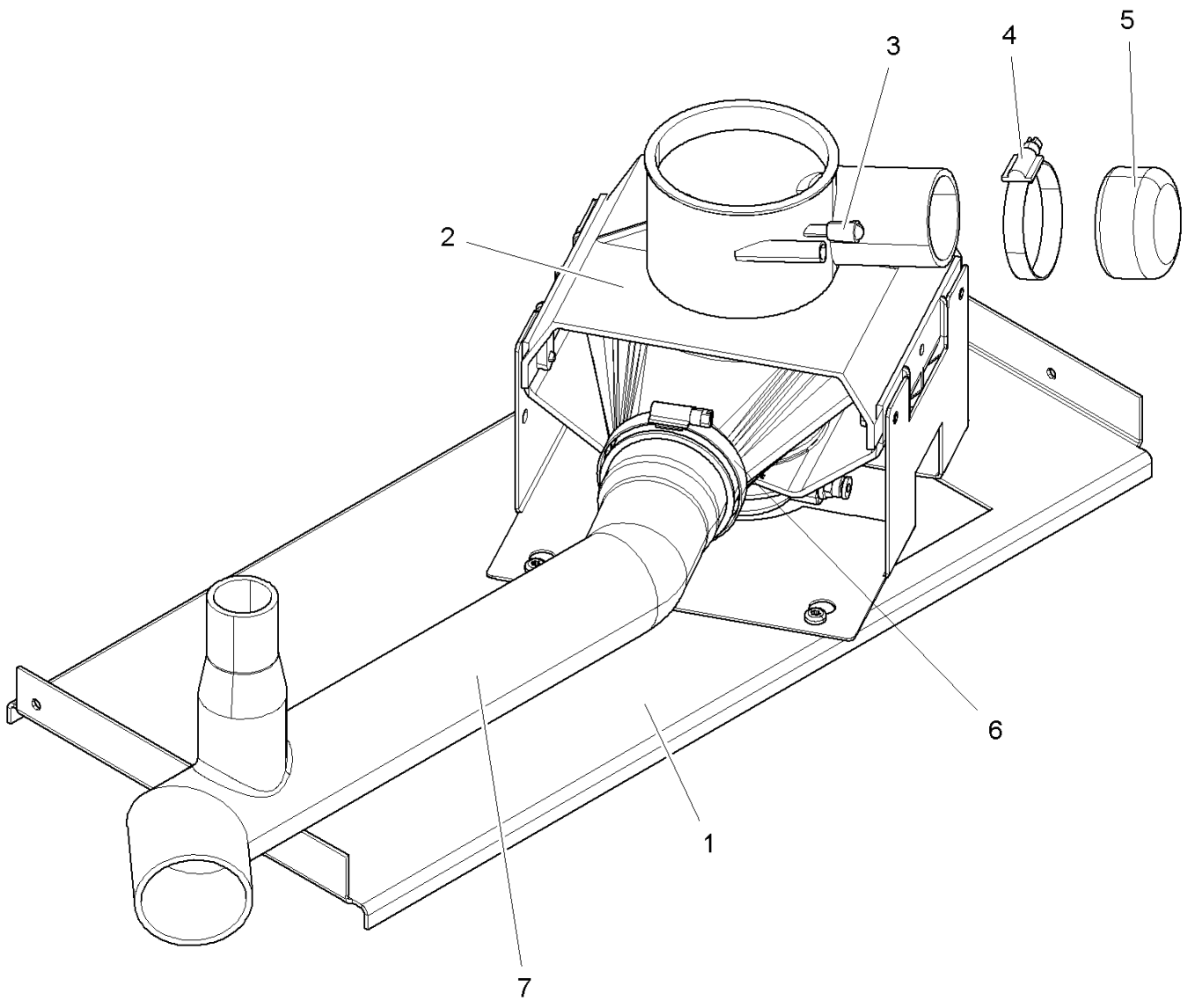
**Drain valve, electrical**

Illustration Issue Month Year  
Illustration Utgåva Månad År

**Avloppsventil, elektrisk**

**500294 2 6 2015**

| Item Pos. | Quantity Antal |   | Art.No Art.nr | Description    | Benämning     | Info Info | Notes Anmärkning           |  |
|-----------|----------------|---|---------------|----------------|---------------|-----------|----------------------------|--|
|           | W575H Compass  |   |               |                |               |           |                            |  |
|           | W5105H Compass |   |               |                |               |           |                            |  |
|           | W5130H Compass |   |               |                |               |           |                            |  |
|           | W5180H Compass |   |               |                |               |           |                            |  |
|           | W5240H Compass |   |               |                |               |           |                            |  |
|           | W5300H Compass |   |               |                |               |           |                            |  |
| 1         | 1              | 1 | 471 9219-65   | Drain valve    | Avloppsventil |           | 50/60Hz                    |  |
| *         | 1              | 1 | 471 8231-03   | Drain valve    | Avloppsventil |           | 50/60Hz<br>Normally closed |  |
|           |                | 1 | 471 8215-01   | Drain valve    | Avloppsventil |           | 50/60Hz                    |  |
|           |                | 1 | 471 8215-03   | Drain valve    | Avloppsventil |           | 50/60Hz<br>Normally closed |  |
| 2         | 1              | 1 | 432 2548-01   | Cover          | Kåpa          |           |                            |  |
| 3         | 1              | 1 | 432 2530-02   | Mounting plate | Fästplåt      |           |                            |  |
|           |                | 1 | 432 2531-01   | Mounting plate | Fästplåt      |           |                            |  |
| 4         | 1              | 1 | 432 2536-01   | Support        | Stöd          |           |                            |  |
|           |                | 1 | 432 2537-01   | Support        | Stöd          |           |                            |  |
| 5         | 1              |   | 432 2524-01   | Hose           | Slang         |           |                            |  |
|           |                | 1 | 432 2524-02   | Hose           | Slang         |           |                            |  |
|           |                | 1 | 432 2516-04   | Hose           | Slang         |           |                            |  |
|           |                | 1 | 432 2516-05   | Hose           | Slang         |           |                            |  |
| 6         | 1              | 1 | 471 7871-07   | Hose clamp     | Slangklämma   |           |                            |  |
| 7         | 3              | 3 | 736 2837-51   | Hose clamp     | Slangklämma   |           | Ø48-54                     |  |
|           |                | 3 | 736 2846-51   | Hose clamp     | Slangklämma   |           | Ø73-83                     |  |
| 8         | 1              | 1 | 432 2534-01   | Mounting plate | Fästplåt      |           |                            |  |
| 9         | 1              | 1 | 432 2517-01   | Hose           | Slang         |           |                            |  |
|           |                | 1 | 432 2518-01   | Hose           | Slang         |           |                            |  |
|           |                | 1 | 432 2518-03   | Hose           | Slang         |           |                            |  |
|           |                | 1 | 432 2518-04   | Hose           | Slang         |           |                            |  |
| 10        | 1              |   | 413 2902-02   | Cable set      | Ledningssats  |           |                            |  |
|           |                | 1 | 413 2902-04   | Cable set      | Ledningssats  |           |                            |  |
|           |                | 1 | 413 2902-06   | Cable set      | Ledningssats  |           |                            |  |
|           |                | 1 | 413 2902-08   | Cable set      | Ledningssats  |           |                            |  |
|           |                | 1 | 413 2902-10   | Cable set      | Ledningssats  |           | NO                         |  |
|           |                | 1 | 413 2902-12   | Cable set      | Ledningssats  |           | NC                         |  |
| 11        | 1              | 1 | 432 2982-10   | Ground cable   | Jordkabel     |           |                            |  |



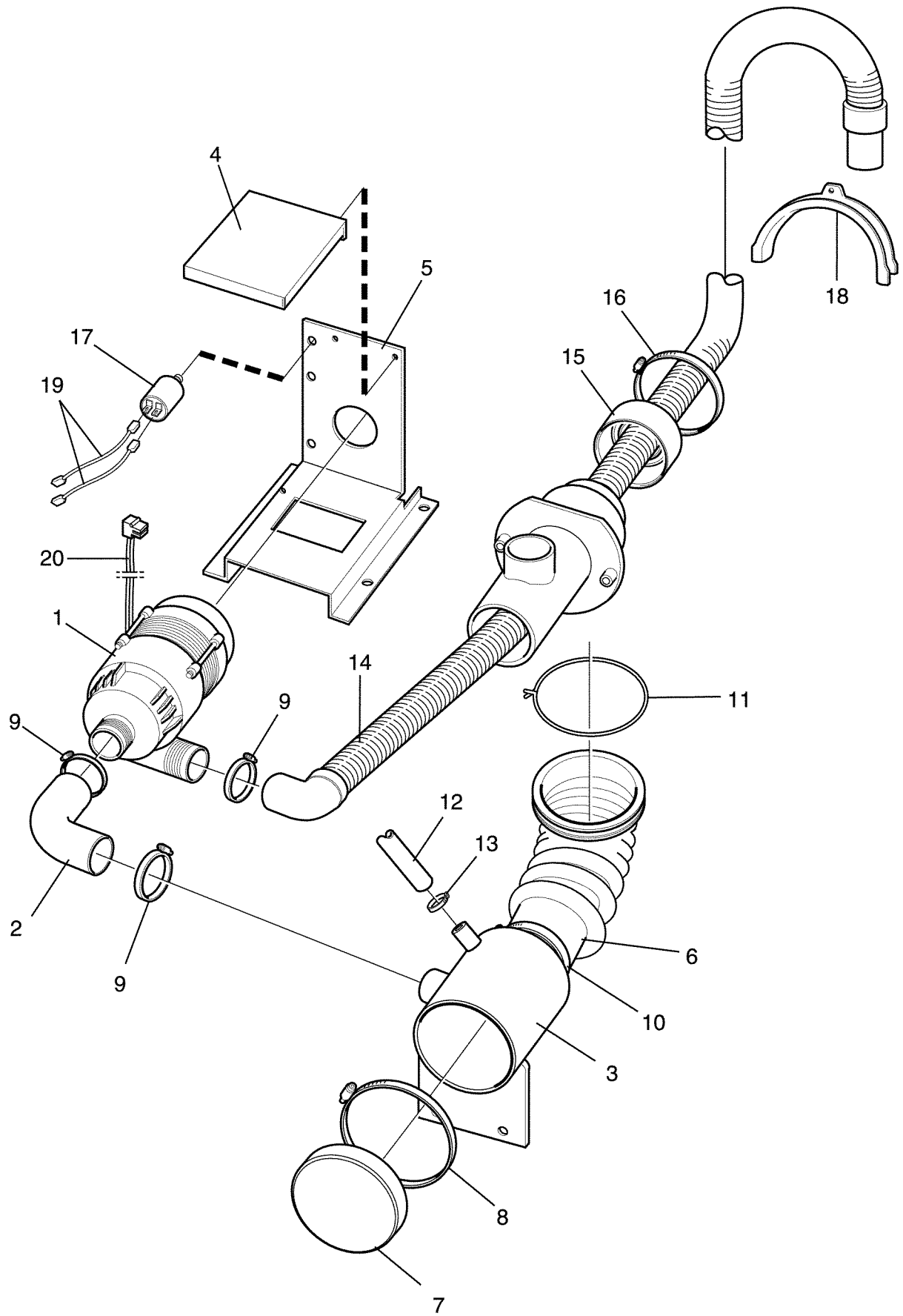
**W575H Compass**

**Drain valve, gas heating**

**Avloppsventil, gasuppvärmning**

|               |          |          |             |
|---------------|----------|----------|-------------|
| Illustration  | Issue    | Month    | Year        |
| Illustration  | Utgåva   | Månad    | År          |
| <b>500577</b> | <b>1</b> | <b>3</b> | <b>2015</b> |

| Item Pos. | Qua. Ant. | Art.No Art.nr | Description  | Benämning     | Info Info | Notes Anmärkning |
|-----------|-----------|---------------|--------------|---------------|-----------|------------------|
| 1         | 1         | 432 1294-01   | Bottom plate | Bottenplatta  |           |                  |
| 2         | 1         | 438 0093-10   | Drain valve  | Avloppsventil |           | Complete         |
| 3         | 1         | 471 8644-02   | Plug         | Propp         |           |                  |
| 4         | 1         | 736 2837-51   | Hose clamp   | Slangklämma   |           | Ø48-54           |
| 5         | 1         | 471 2032-39   | Hood         | Huv           |           |                  |
| 6         | 1         | 736 2840-51   | Hose clamp   | Slangklämma   |           | Ø50-63           |
| 7         | 1         | 438 8109-02   | Drain hose   | Avloppsslang  |           |                  |

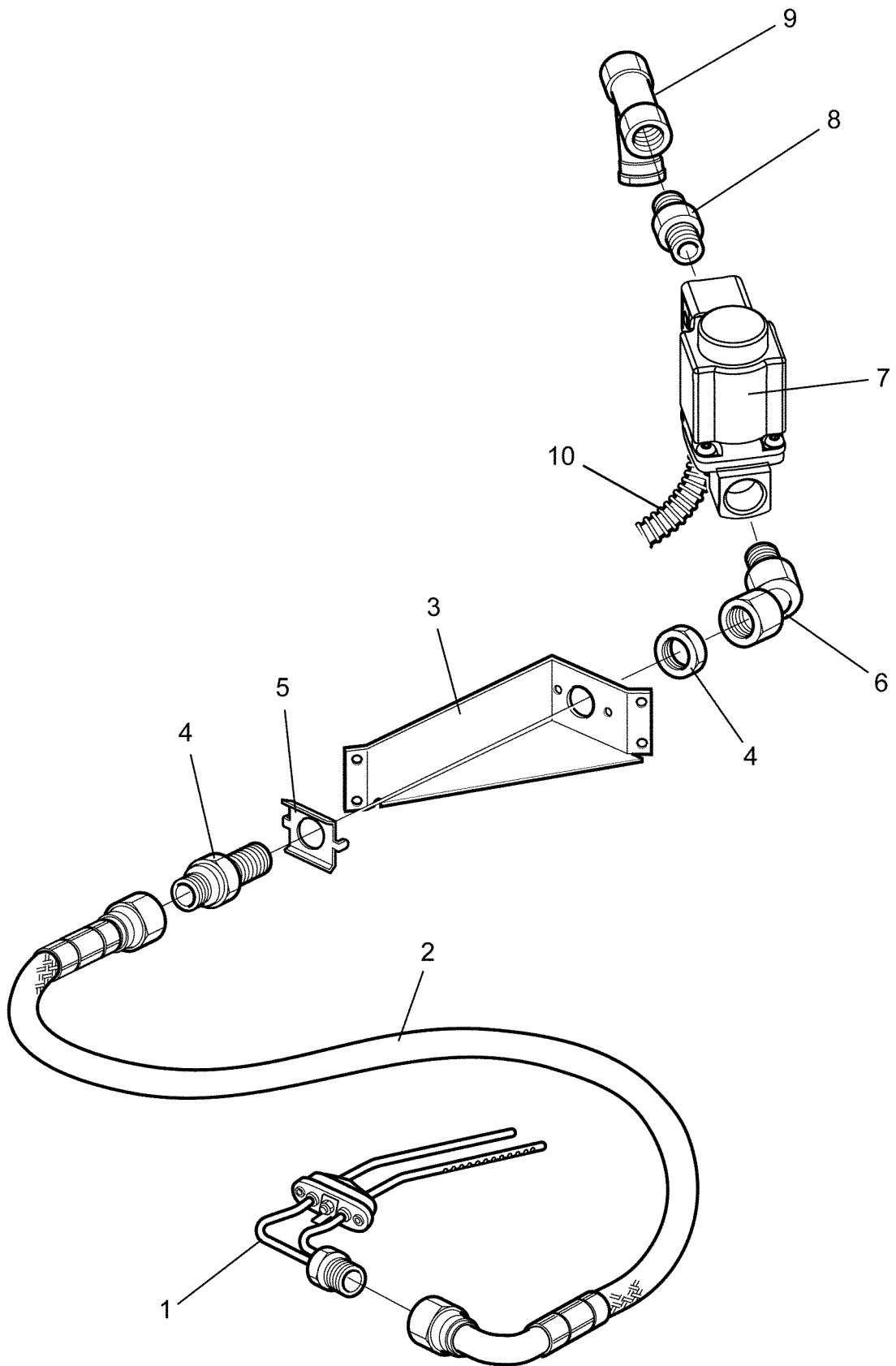


**W575H Compass,W5105H Compass****Drain pump**

|               |          |           |             |
|---------------|----------|-----------|-------------|
| Illustration  | Issue    | Month     | Year        |
| Illustration  | Utgåva   | Månad     | År          |
| <b>500295</b> | <b>7</b> | <b>10</b> | <b>2013</b> |

**Avloppspump**

| Item Pos. | Quantity Antal | Art.No Art.nr | Description    | Benämning      | Info Info    | Notes Anmärkning                         |
|-----------|----------------|---------------|----------------|----------------|--------------|--|
|           |                |               | W575H Compass  |                |              |  |
|           |                |               | W5105H Compass |                |              |  |
| 1         | 1              | 1             | 438 8270-01    | Drain pump     | Avloppspump  | 230V 50Hz Complete<br>230V 60Hz Complete |
|           | 1              | 1             | 438 8270-02    | Drain pump     | Avloppspump  |  |
| 2         | 1              | 1             | 471 4391-02    | Hose           | Slang        |  |
| 3         | 1              | 1             | 432 2533-01    | Container      | Behållare    |  |
| 4         | 1              | 1             | 432 2538-01    | Cover          | Skydd        |  |
| 5         | 1              | 1             | 432 2532-01    | Mounting plate | Fästplåt     |  |
| 6         | 1              |               | 432 2524-01    | Hose           | Slang        |  |
|           |                | 1             | 432 2524-02    | Hose           | Slang        |  |
| 7         | 1              | 1             | 472 6760-01    | Hood           | Huv          |  |
| 8         | 1              | 1             | 736 2849-51    | Hose clamp     | Slangklämma  | Ø77-93                                   |
| 9         | 3              | 3             | 736 2825-51    | Hose clamp     | Slangklämma  | Ø32                                      |
| 10        | 1              | 1             | 736 2837-51    | Hose clamp     | Slangklämma  | Ø48-54                                   |
| 11        | 1              | 1             | 471 7871-07    | Hose clamp     | Slangklämma  |  |
| * 12      | 1              | 1             | 471 8116-17    | Hose           | Slang        | L=1560                                   |
| 13        | 1              | 1             | 736 2816-51    | Hose clamp     | Slangklämma  | Ø13-19                                   |
| 14        | 1              | 1             | 471 6858-82    | Drain hose     | Avloppsslang |  |
| 15        | 1              | 1             | 438 5022-01    | Discharge      | Avlastning   |  |
| 16        | 1              | 1             | 736 2840-51    | Hose clamp     | Slangklämma  | Ø50-63                                   |
| 17        | 1              | 1             | 438 9515-01    | Capacitor      | Kondensator  | 4µF                                      |
| 18        | 1              | 1             | 471 6858-83    | Bracket        | Hållare      |  |
| 19        | 2              | 2             | 432 2954-26    | Cable set      | Ledningssats |  |
| 20        | 1              |               | 413 2903-02    | Cable set      | Ledningssats |  |
|           |                | 1             | 413 2903-04    | Cable set      | Ledningssats |  |





**W575H Compass,W5105H Compass,W5130H Compass,W5180H Compass,W5240H Compass,W5300H Compass**

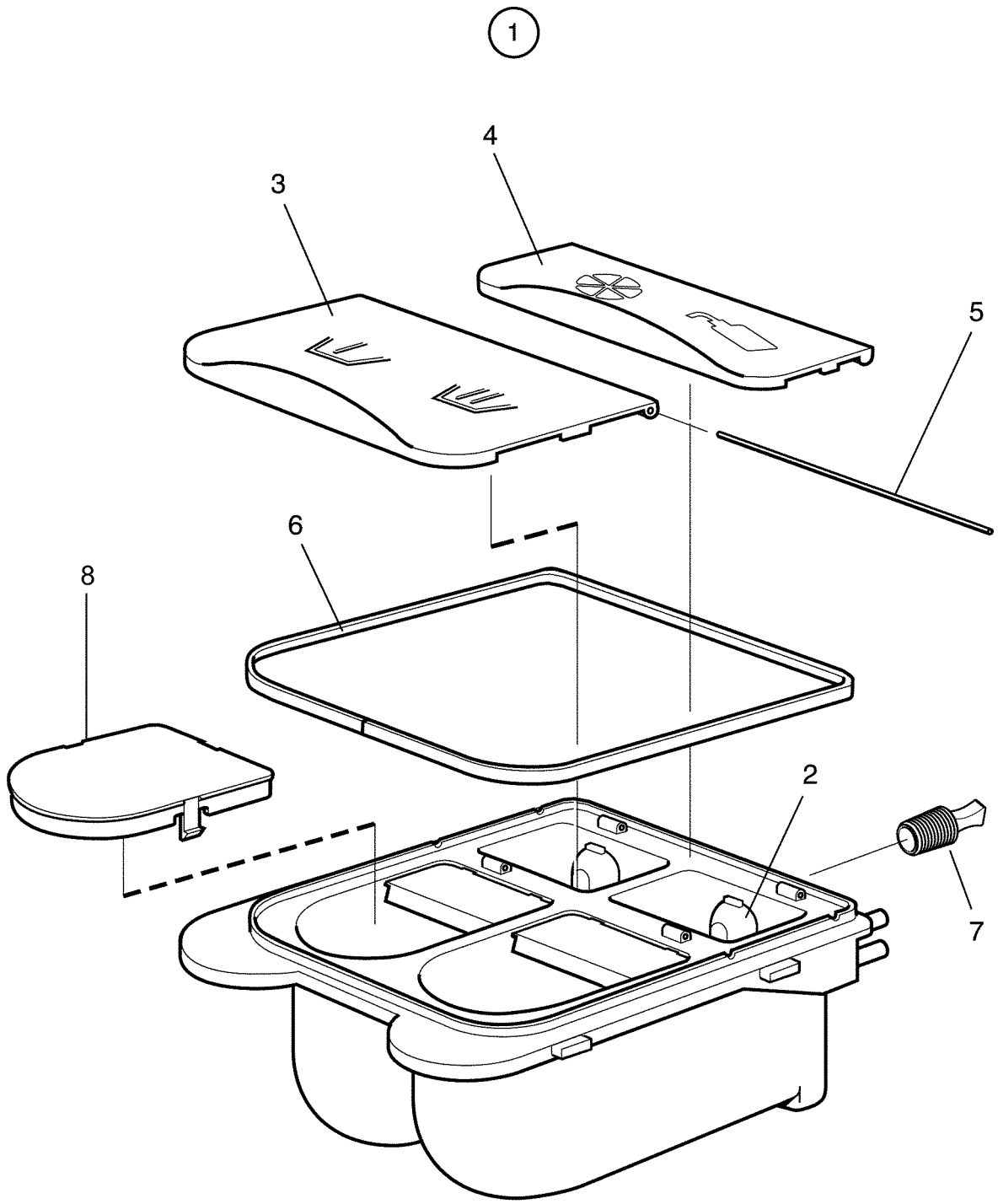
**Steam components**

Illustration Issue Month Year  
Illustration Utgåva Månad År

**Ångdetaljer**

**500296 2 3 2014**

| Item Pos. | Quantity Antal |   | Art.No Art.nr | Description                | Benämning       | Info Info | Notes Anmärkning |
|-----------|----------------|---|---------------|----------------------------|-----------------|-----------|------------------|
|           | W575H Compass  |   |               |                            |                 |           |                  |
|           | W5105H Compass |   |               |                            |                 |           |                  |
|           | W5130H Compass |   |               |                            |                 |           |                  |
|           | W5180H Compass |   |               |                            |                 |           |                  |
|           | W5240H Compass |   |               |                            |                 |           |                  |
|           | W5300H Compass |   |               |                            |                 |           |                  |
| 1         | 1              | 1 |               | 432 1630-01 Steam injector | Ånginjektor     |           |                  |
|           |                | 1 | 1             | 432 1631-01 Steam injector | Ånginjektor     |           |                  |
| 2         | 1              |   |               | 471 8126-25 Steam hose     | Ångslang        |           |                  |
|           |                | 1 |               | 471 8126-26 Steam hose     | Ångslang        |           |                  |
|           |                |   | 1             | 471 8126-27 Steam hose     | Ångslang        |           |                  |
|           |                |   | 1             | 471 8126-28 Steam hose     | Ångslang        |           |                  |
|           |                |   |               | 471 8126-29 Steam hose     | Ångslang        |           |                  |
|           |                |   |               | 471 8126-38 Steam hose     | Ångslang        |           |                  |
| 3         | 1              | 1 | 1             | 432 1673-01 Bracket        | Konsol          |           |                  |
| 4         | 1              | 1 | 1             | 471 8695-01 Nipple         | Nippel          |           |                  |
| 5         | 1              | 1 | 1             | 471 2937-01 Bracket        | Vridskydd       |           |                  |
| 6         | 1              | 1 | 1             | 471 8697-01 Adapter        | Adapter         |           |                  |
| 7         | 1              | 1 | 1             | 472 9920-31 Valve          | Ventil          |           |                  |
|           | 1              | 1 | 1             | 471 8279-08 •Repair kit    | •Reparationsats |           |                  |
| 8         | 1              | 1 | 1             | 471 8624-01 Nipple         | Nippel          |           | 1/2"             |
| 9         | 1              | 1 | 1             | 744 3113-06 Filter         | Filter          |           | 1/2"             |
| 10        | 1              | 1 | 1             | 432 3058-04 Cable set      | Ledningssats    |           |                  |



**W575H Compass,W5105H Compass,W5130H Compass,W5180H Compass,W5240H Compass,W5300H Compass**

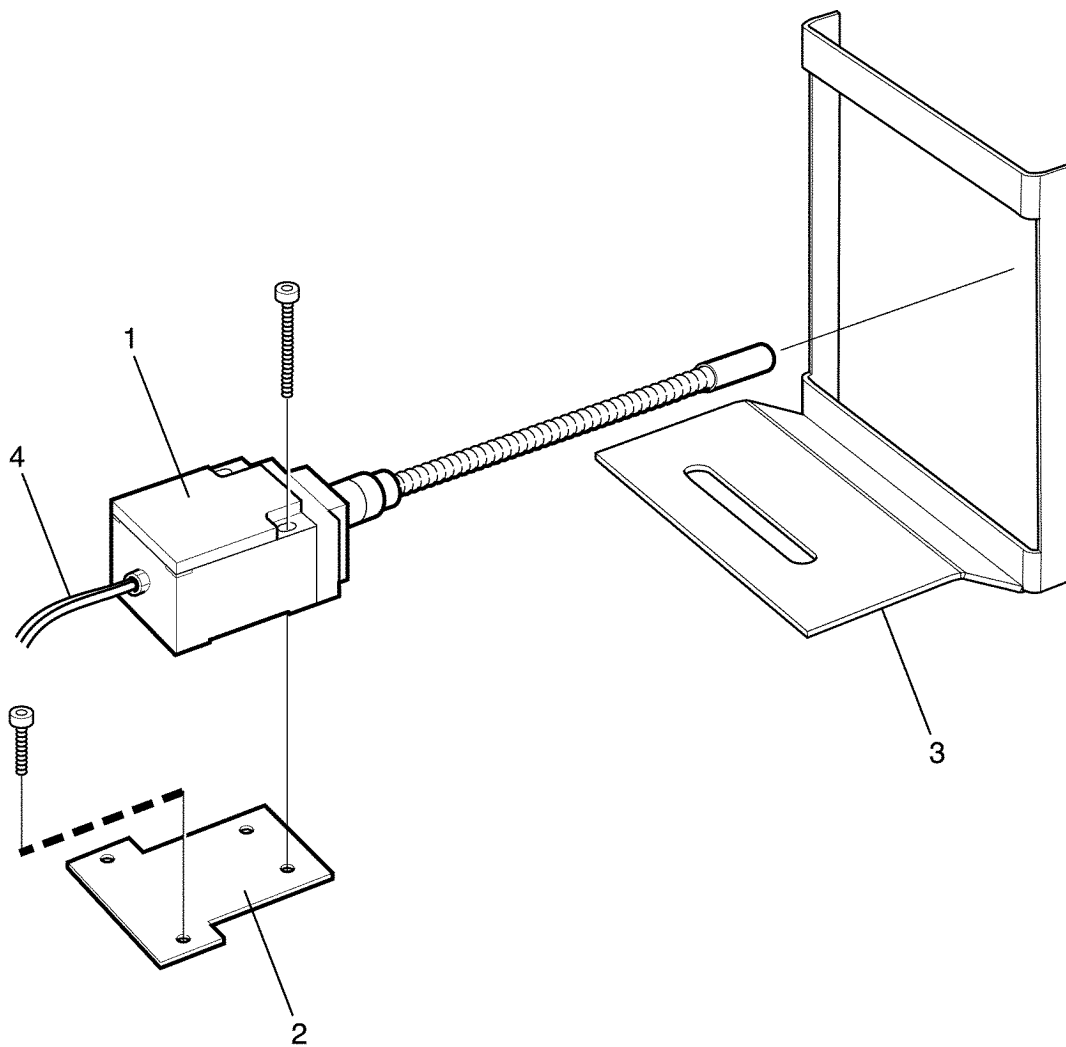
**Detergent container**

Illustration Issue Month Year  
Illustration Utgåva Månad År

**Tvättmedelsbehållare**

**500297 1 4 2013**

| Item Pos. | Qua. Ant. | Art.No Art.nr      | Description         | Benämning            | Info Info | Notes Anmärkning |
|-----------|-----------|--------------------|---------------------|----------------------|-----------|------------------|
| <b>1</b>  | 1         | <b>472 9954-01</b> | Detergent container | Tvättmedelsbehållare |           | USA              |
|           | 1         | <b>472 9954-03</b> | Detergent container | Tvättmedelsbehållare |           |                  |
| <b>2</b>  | 2         | <b>432 2404-51</b> | •Siphon             | •Hävert              |           |                  |
| <b>3</b>  | 1         | <b>432 2405-02</b> | •Cover              | •Lock                |           |                  |
| <b>4</b>  | 1         | <b>432 2406-02</b> | •Cover              | •Lock                |           |                  |
| <b>5</b>  | 2         | <b>432 2407-01</b> | •Shaft              | •Axel                |           |                  |
| <b>6</b>  | 1         | <b>432 2412-01</b> | •Gasket             | •Packning            |           |                  |
| <b>7</b>  | 1         | <b>432 2413-01</b> | •Rubber plug        | •Gummiplugg          |           |                  |
| <b>8</b>  | 1         | <b>432 2409-01</b> | Cover               | Kåpa                 |           |                  |



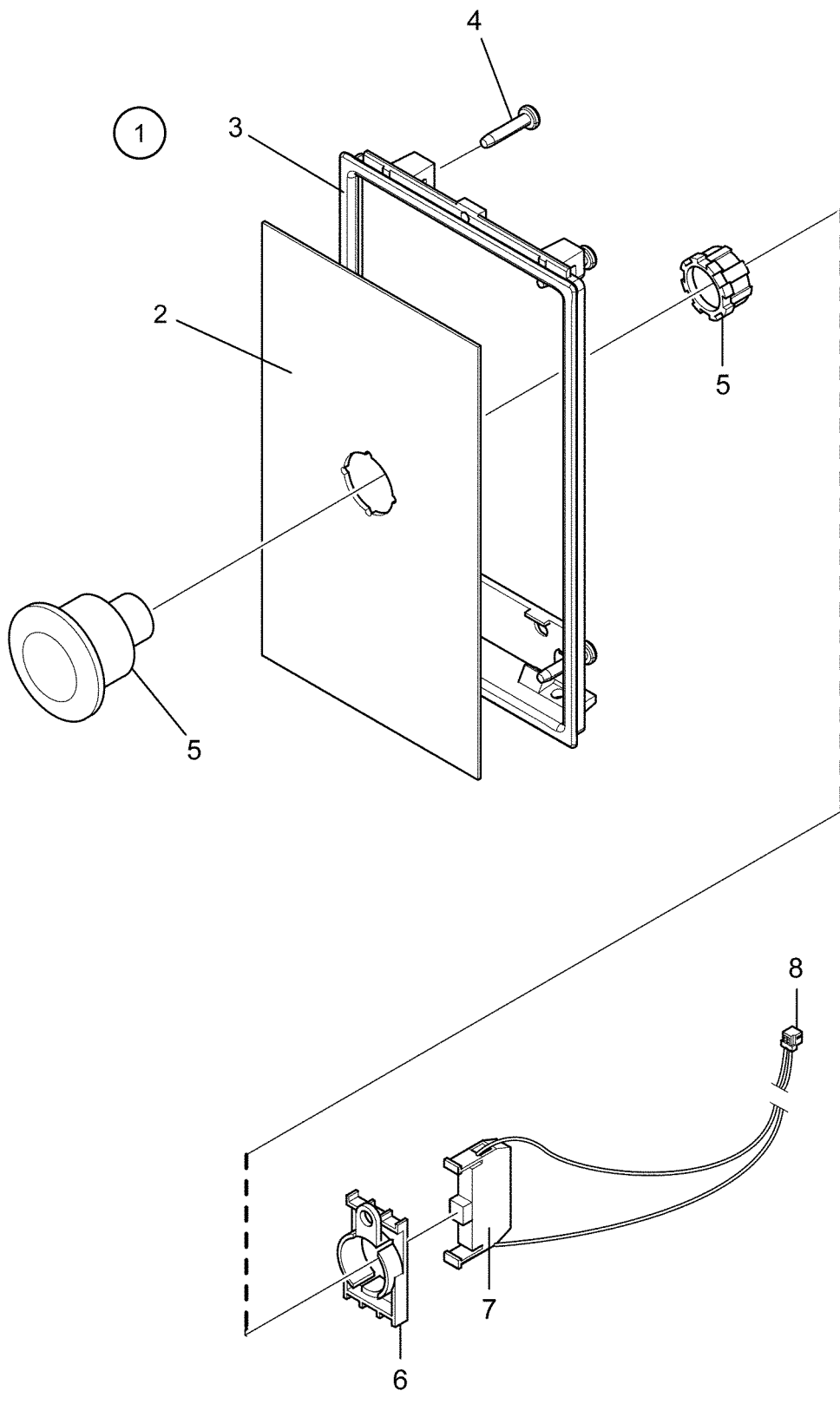
**W5130H Compass,W5180H Compass,W5240H Compass,W5300H Compass**

**Out of balance switch**

|               |          |          |             |
|---------------|----------|----------|-------------|
| Illustration  | Issue    | Month    | Year        |
| Illustration  | Utgåva   | Månad    | År          |
| <b>500304</b> | <b>1</b> | <b>4</b> | <b>2013</b> |

**Obalansbrytare**

| Item Pos.                     | Quantity Antal | Art.No Art.nr | Description                              | Benämning      | Info Info | Notes Anmärkning |
|-------------------------------|----------------|---------------|--|----------------|-----------|------------------|
| W5130H Compass,W5180H Compass |                |               |  |                |           |                  |
| W5240H Compass,W5300H Compass |                |               |  |                |           |                  |
| <b>1</b>                      | 1              | 1             | <b>471 9608-01</b> Out of balance switch | Obalansbrytare |           |                  |
| <b>2</b>                      | 1              | 1             | <b>432 2183-01</b> Mounting plate        | Monteringsplåt |           |                  |
| <b>3</b>                      | 1              | 1             | <b>432 2202-02</b> Frame                 | Ram            |           |                  |
|                               |                | 1             | <b>432 2202-01</b> Frame                 | Ram            |           |                  |
| <b>4</b>                      | 1              | 1             | <b>432 2987-01</b> Cable set             | Ledningssats   |           |                  |



**W575H Compass,W5105H Compass,W5130H Compass,W5180H Compass,W5240H Compass,W5300H Compass**

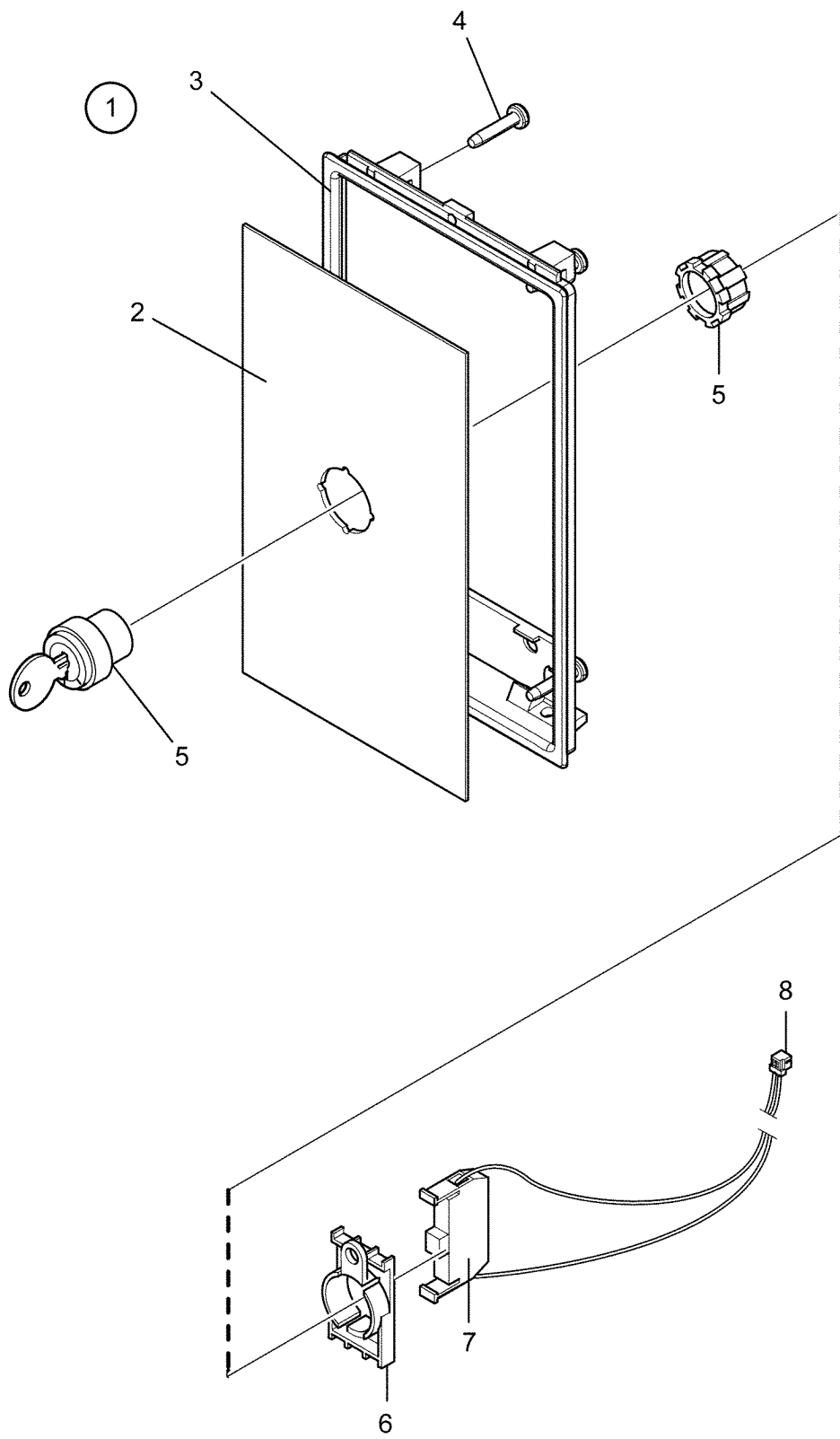
**Emergency stop**

Illustration Issue Month Year  
Illustration Utgåva Månad År

**Nödstopp**

**500315 1 4 2013**

| Item Pos. | Qua. Ant. | Art.No Art.nr      | Description    | Benämning    | Info Info | Notes Anmärkning |
|-----------|-----------|--------------------|----------------|--------------|-----------|------------------|
| <b>1</b>  | 1         | <b>472 9955-07</b> | Cover plates   | Täckplåtar   |           | Kit compl.       |
| <b>2</b>  | 1         |                    | •Cover plate   | •Täckplåt    |           |                  |
| <b>3</b>  | 1         |                    | •Frame         | •Ram         |           |                  |
| <b>4</b>  | 4         |                    | •Screw         | •Skruv       |           |                  |
| <b>5</b>  | 1         | <b>471 9628-32</b> | Emergency stop | Nödstopp     |           |                  |
| <b>6</b>  | 1         | <b>471 9628-75</b> | Bracket        | Hållare      |           |                  |
| <b>7</b>  | 1         | <b>471 9628-71</b> | Socket         | Kontaktblock |           | NO Green         |
| <b>8</b>  | 1         | <b>413 3272-19</b> | Cable set      | Ledningssats |           |                  |





**W575H Compass,W5105H Compass,W5130H Compass,W5180H Compass,W5240H Compass,W5300H Compass**

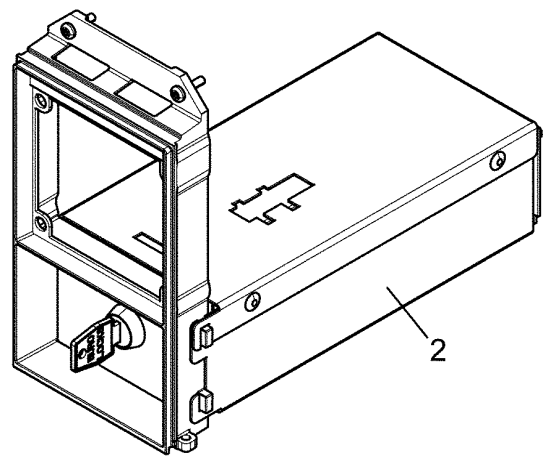
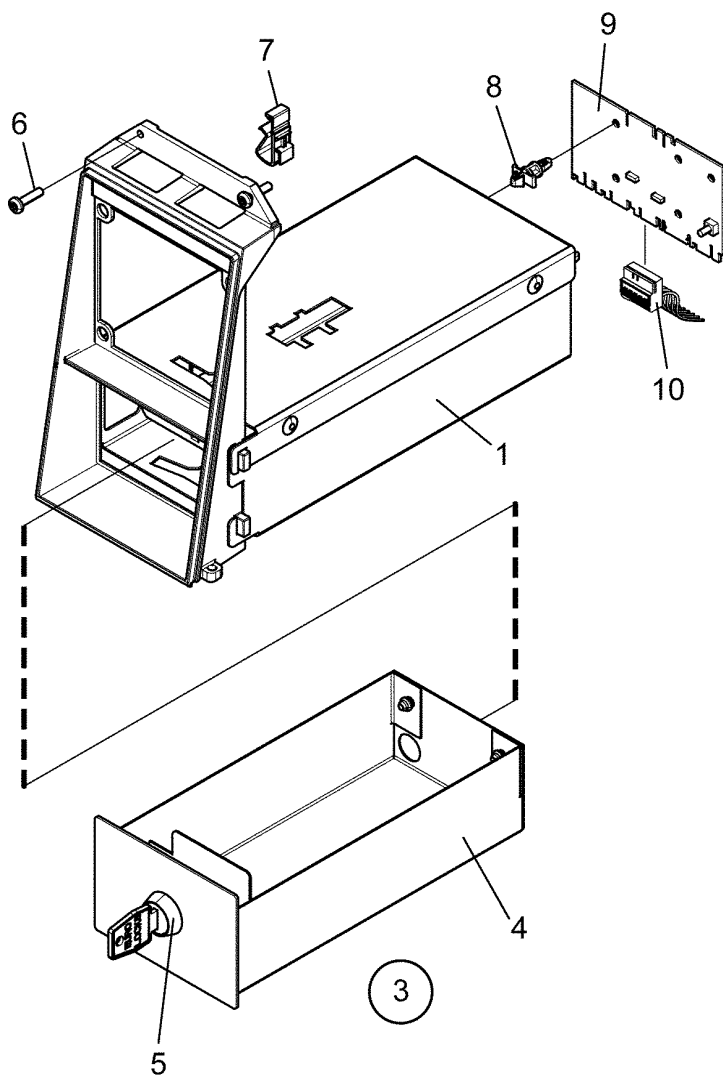
**Key switch**

Illustration Issue Month Year  
Illustration Utgåva Månad År

**Nyckelbrytare**

**500316 1 4 2013**

| Item Pos. | Qua. Ant. | Art.No Art.nr      | Description  | Benämning     | Info Info | Notes Anmärkning |
|-----------|-----------|--------------------|--------------|---------------|-----------|------------------|
| <b>1</b>  | 1         | <b>472 9955-07</b> | Cover plates | Täckplåtar    |           | Kit compl.       |
| <b>2</b>  | 1         |                    | •Cover plate | •Täckplåt     |           |                  |
| <b>3</b>  | 1         |                    | •Frame       | •Ram          |           |                  |
| <b>4</b>  | 4         |                    | •Screw       | •Skruv        |           |                  |
| <b>5</b>  | 1         | <b>471 9628-85</b> | Key switch   | Nyckelbrytare |           |                  |
| <b>6</b>  | 1         | <b>471 9628-75</b> | Bracket      | Hållare       |           |                  |
| <b>7</b>  | 1         | <b>471 9628-71</b> | Socket       | Kontaktblock  |           | NO Green         |
| <b>8</b>  | 1         | <b>413 3272-21</b> | Cable set    | Ledningssats  |           |                  |



**W575H Compass,W5105H Compass,W5130H Compass,W5180H Compass,W5240H Compass,W5300H Compass**

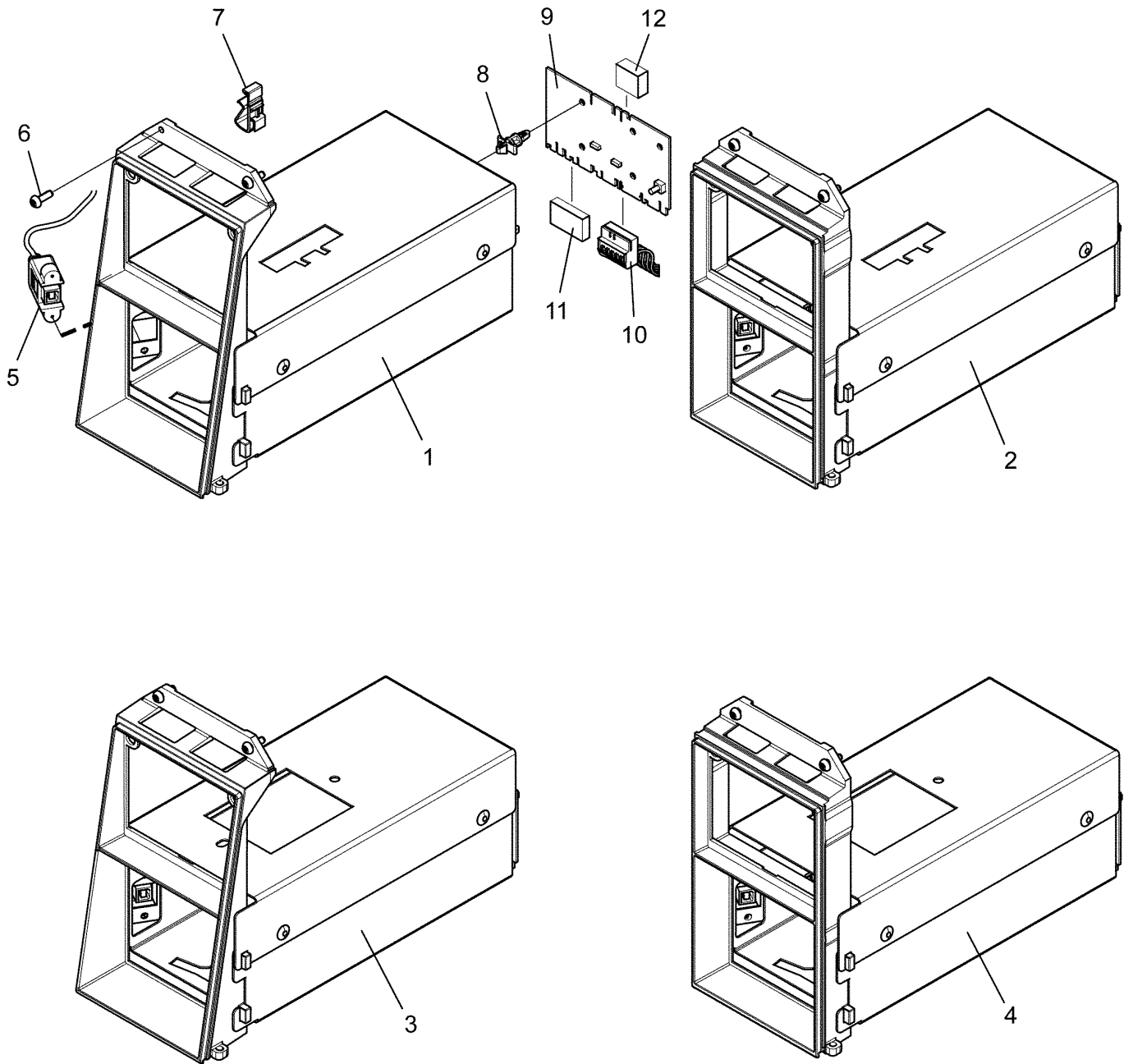
**Coinbox housing (for coinbox height 70mm)**

Illustration Issue Month Year  
Illustration Utgåva Månad År

**Mynthus (för myntlåda höjd 70mm)**

**500452 1 4 2013**

| Item Pos. | Qua. Ant. | Art.No Art.nr | Description           | Benämning    | Info Info | Notes Anmärkning    |
|-----------|-----------|---------------|-----------------------|--------------|-----------|---------------------|
| 1         | 1         | 472 9955-02   | Coinbox housing       | Mynthus      |           | Slanted frame       |
| 2         | 1         | 472 9955-04   | Coinbox housing       | Mynthus      |           | Straight frame      |
| 3         | 1         | 432 2233-02   | Coin box              | Myntlåda     |           | Complete Random key |
| 4         | 1         | 432 2232-02   | •Coin box             | •Myntlåda    |           |                     |
| 5         | 1         | 472 9919-30   | •Lock                 | •Lås         |           | Random key          |
|           | 1         | 472 9919-31   | Lock                  | Lås          |           | Key 46080           |
|           | 1         | 472 9919-32   | Lock                  | Lås          |           | Key 46199           |
|           | 1         | 472 9919-33   | Lock                  | Lås          |           | Key 46819           |
| 6         | 2         | 471 8341-15   | Screw                 | Skruv        |           | MRT 4X16            |
| 7         | 2         | 432 6320-01   | Clamp                 | Klamma       |           |                     |
| 8         | 4         | 471 7960-02   | Support               | Stöd         |           |                     |
| 9         | 1         | 438 8775-09   | Printed circuit board | Kretskort    |           |                     |
| 10        | 1         | 413 3276-01   | Cable set             | Ledningssats |           |                     |



**W575H Compass,W5105H Compass,W5130H Compass,W5180H Compass,W5240H Compass,W5300H Compass**

**Coinbox housing (for coinbox height 90mm)**

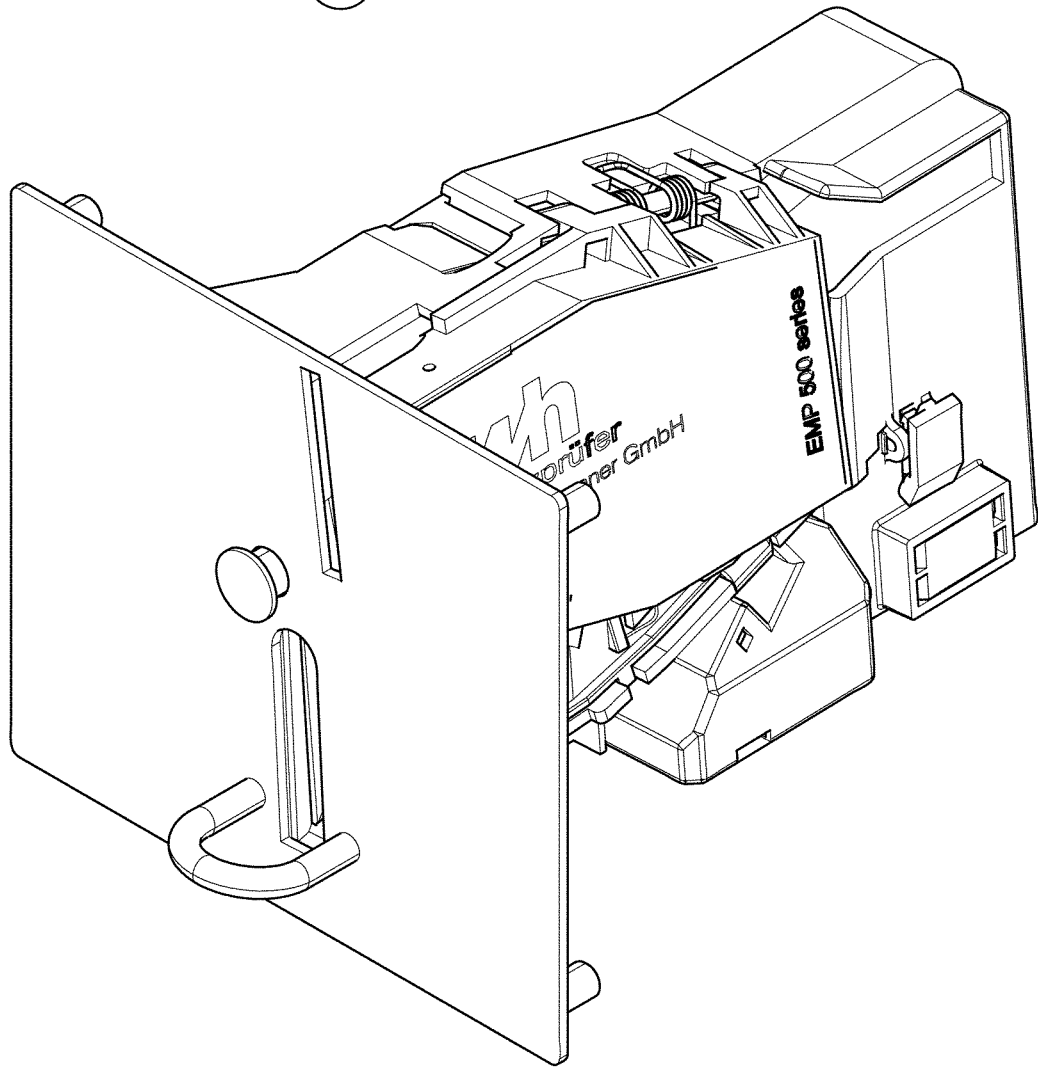
Illustration Issue Month Year  
Illustration Utgåva Månad År

**Mynthus (för myntlåda höjd 90mm)**

**500453 1 4 2013**

| Item Pos. | Qua. Ant. | Art.No Art.nr | Description           | Benämning      | Info Info | Notes Anmärkning   |
|-----------|-----------|---------------|-----------------------|----------------|-----------|--------------------|
| 1         | 1         | 472 9955-01   | Coinbox housing       | Mynthus        |           | Slanted frame      |
| 2         | 1         | 472 9955-03   | Coinbox housing       | Mynthus        |           | Straight frame     |
| 3         | 1         | 472 9955-05   | Coinbox housing       | Mynthus        |           | Slanted frame      |
| 4         | 1         | 472 9955-06   | Coinbox housing       | Mynthus        |           | Straight frame     |
| 5         | 1         | 413 2936-01   | Cable                 | Kabel          |           | USB                |
| 6         | 2         | 471 8376-01   | Screw                 | Skruv          |           | M4X12              |
|           | 1         | 471 8376-99   | Tool                  | Verktyg        |           | Tool for 471837601 |
| 7         | 2         | 432 6320-01   | Clamp                 | Klamma         |           |                    |
| 8         | 4         | 471 7960-02   | Support               | Stöd           |           |                    |
| 9         | 1         | 438 8775-09   | Printed circuit board | Kretskort      |           |                    |
| 10        | 1         | 413 3276-01   | Cable set             | Ledningssats   |           |                    |
| 11        | 1         | 438 8701-02   | Frame                 | Ram            |           | 3-pole             |
|           | 1         | 438 8701-01   | Multistik             | Kantanslutning |           | 3-pole             |
| 12        | 1         | 438 8701-04   | Frame                 | Ram            |           | 2-pole             |
|           | 1         | 438 8701-03   | Multistik             | Kantanslutning |           | 2-pole             |

1



**W575H Compass,W5105H Compass,W5130H Compass,W5180H Compass,W5240H Compass,W5300H Compass**

**Electronic coin meter**

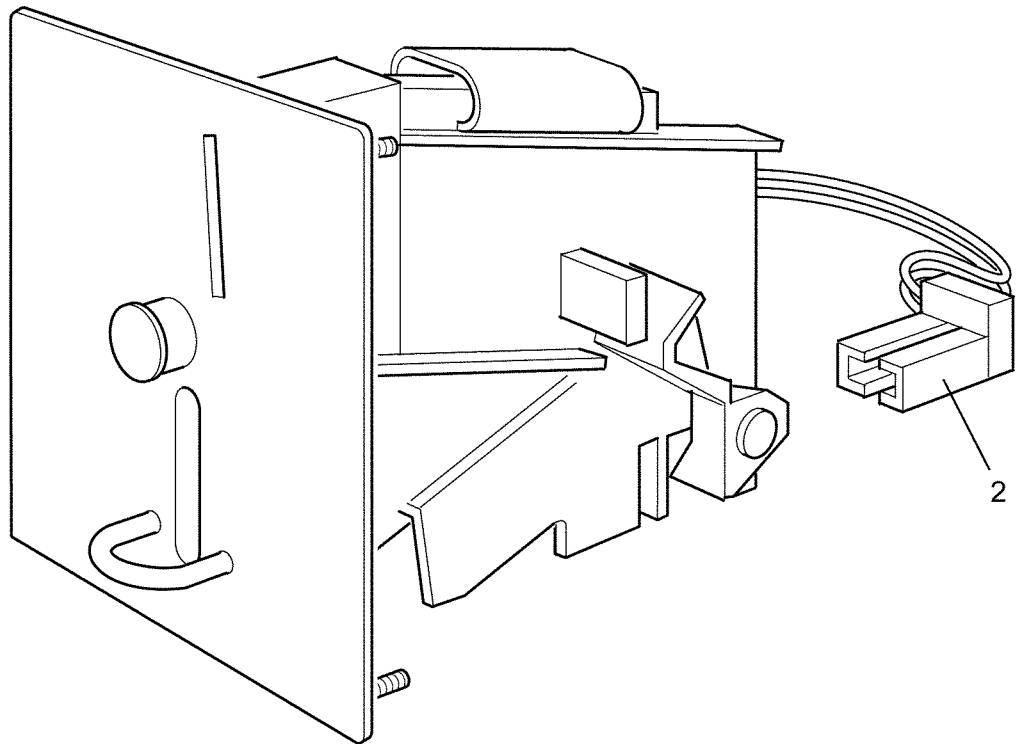
Illustration Issue Month Year  
Illustration Utgåva Månad År

**Elektronisk myntmätare**

**500199 3 6 2014**

| Item Pos. | Qua. Ant. | Art.No Art.nr      | Description | Benämning  | Info Info | Notes Anmärkning |
|-----------|-----------|--------------------|-------------|------------|-----------|------------------|
| <b>1</b>  | 1         | <b>438 8938-01</b> | Coin meter  | Myntmätare |           | JPY+KRW          |
|           | 1         | <b>438 8938-02</b> | Coin meter  | Myntmätare |           | NZD+AUD          |
|           | 1         | <b>438 8938-03</b> | Coin meter  | Myntmätare |           | EUR+DKK+NOK      |
|           | 1         | <b>438 8938-04</b> | Coin meter  | Myntmätare |           | EUR+SEK          |
|           | 1         | <b>438 8938-05</b> | Coin meter  | Myntmätare |           | HKD+TWD          |
|           | 1         | <b>438 8938-06</b> | Coin meter  | Myntmätare |           | MOP+MYR+SGD      |
|           | 1         | <b>438 8938-07</b> | Coin meter  | Myntmätare |           | CHF+CZK+LTL      |
|           | 1         | <b>438 8938-08</b> | Coin meter  | Myntmätare |           | AED+ZAR+ILS      |
|           | 1         | <b>438 8938-09</b> | Coin meter  | Myntmätare |           | GBP+EUR          |
|           | 1         | <b>438 8938-10</b> | Coin meter  | Myntmätare |           | PLN+EUR          |
|           | 1         | <b>438 8938-11</b> | Coin meter  | Myntmätare |           | EUR+Tokens       |
|           | 1         | <b>438 8938-12</b> | Coin meter  | Myntmätare |           | CNY              |
|           | 1         | <b>438 8938-13</b> | Coin meter  | Myntmätare |           | HUF              |

1





**W575H Compass,W5105H Compass,W5130H Compass,W5180H Compass,W5240H Compass,W5300H Compass**

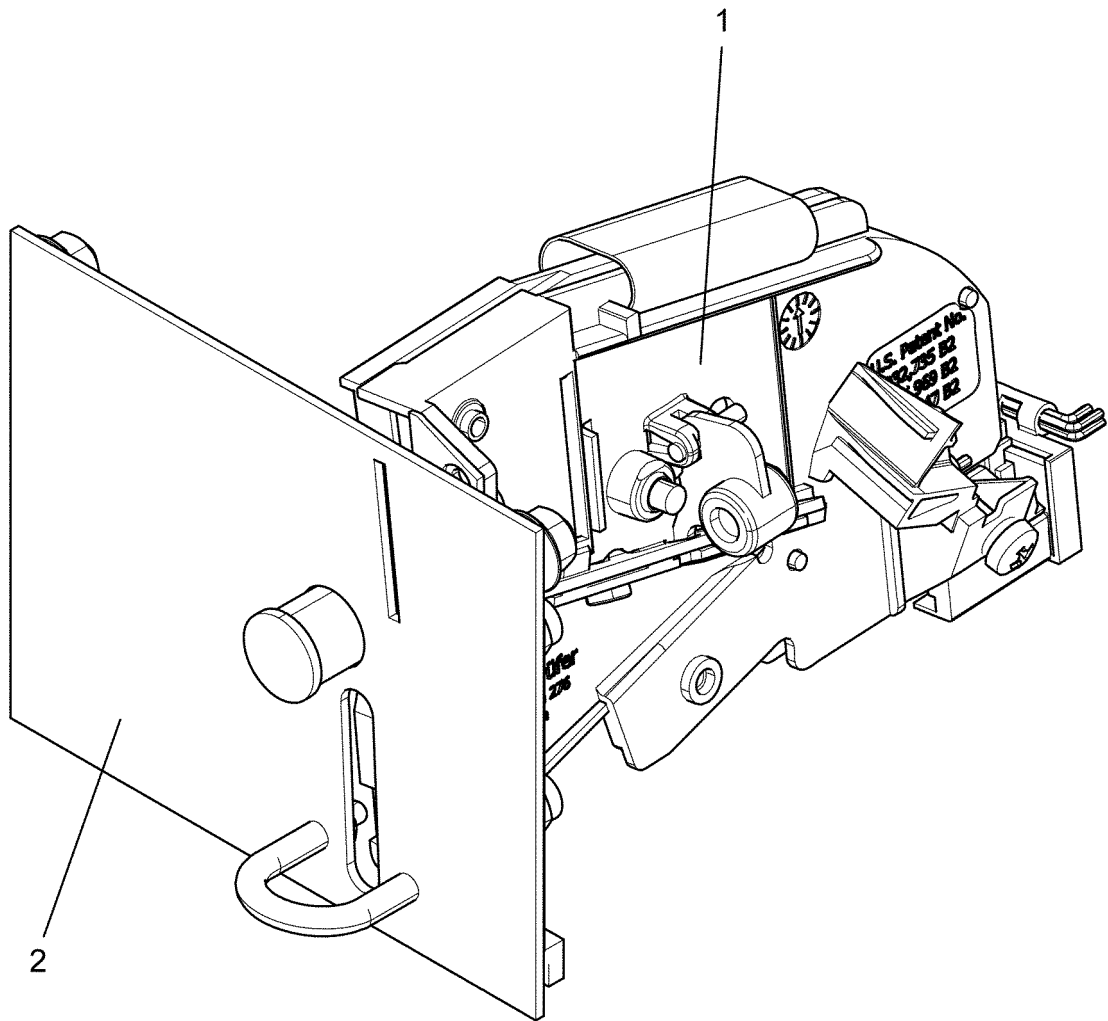
**Coin meter**

Illustration Issue Month Year  
Illustration Utgåva Månad År

**Myntmätare**

**500201 5 7 2013**

| Item Pos. | Qua. Ant. | Art.No Art.nr      | Description | Benämning  | Info Info | Notes Anmärkning   |
|-----------|-----------|--------------------|-------------|------------|-----------|--------------------|
| <b>1</b>  | 1         | <b>438 8931-59</b> | Coin meter  | Myntmätare |           | TOKEN 25,7x1,6     |
|           | 1         | <b>438 8931-60</b> | Coin meter  | Myntmätare |           | TOKEN 26,0x2,1     |
|           | 1         | <b>438 8931-75</b> | Coin meter  | Myntmätare |           | TOKEN 22,0x1,6     |
|           | 1         | <b>438 8931-76</b> | Coin meter  | Myntmätare |           | TOKEN 25,0x2,0     |
|           | 1         | <b>438 8931-78</b> | Coin meter  | Myntmätare |           | TOKEN 23,5x1,7     |
|           | 1         | <b>438 8931-79</b> | Coin meter  | Myntmätare |           | TOKEN 25,8x1,7     |
|           | 1         | <b>438 8931-81</b> | Coin meter  | Myntmätare |           | TOKEN 27,4x1,6     |
|           | 1         | <b>438 8931-82</b> | Coin meter  | Myntmätare |           | TOKEN 25,0x1,8     |
|           | 1         | <b>438 8931-85</b> | Coin meter  | Myntmätare |           | TOKEN 22,5x1,5     |
|           | 1         | <b>438 8931-86</b> | Coin meter  | Myntmätare |           | TOKEN 27,0x1,6     |
|           | 1         | <b>438 8931-87</b> | Coin meter  | Myntmätare |           | TOKEN 24,3x1,5     |
|           | 1         | <b>438 8931-88</b> | Coin meter  | Myntmätare |           | TOKEN 23,7x1,6     |
|           | 1         | <b>438 8931-89</b> | Coin meter  | Myntmätare |           | TOKEN 19,0x1,0     |
|           | 1         | <b>438 8931-90</b> | Coin meter  | Myntmätare |           | TOKEN 19,0x1,5     |
|           | 1         | <b>438 8931-91</b> | Coin meter  | Myntmätare |           | TOKEN 22,35x1,6    |
| <b>2</b>  | Rq        | <b>438 8932-04</b> | Coin meter  | Myntmätare |           | 2 Coins, 0,5+1 EUR |
|           |           | <b>438 8924-99</b> | •Sensor     | •Sensor    |           |                    |



**W575H Compass,W5105H Compass,W5130H Compass,W5180H Compass,W5240H Compass,W5300H Compass**

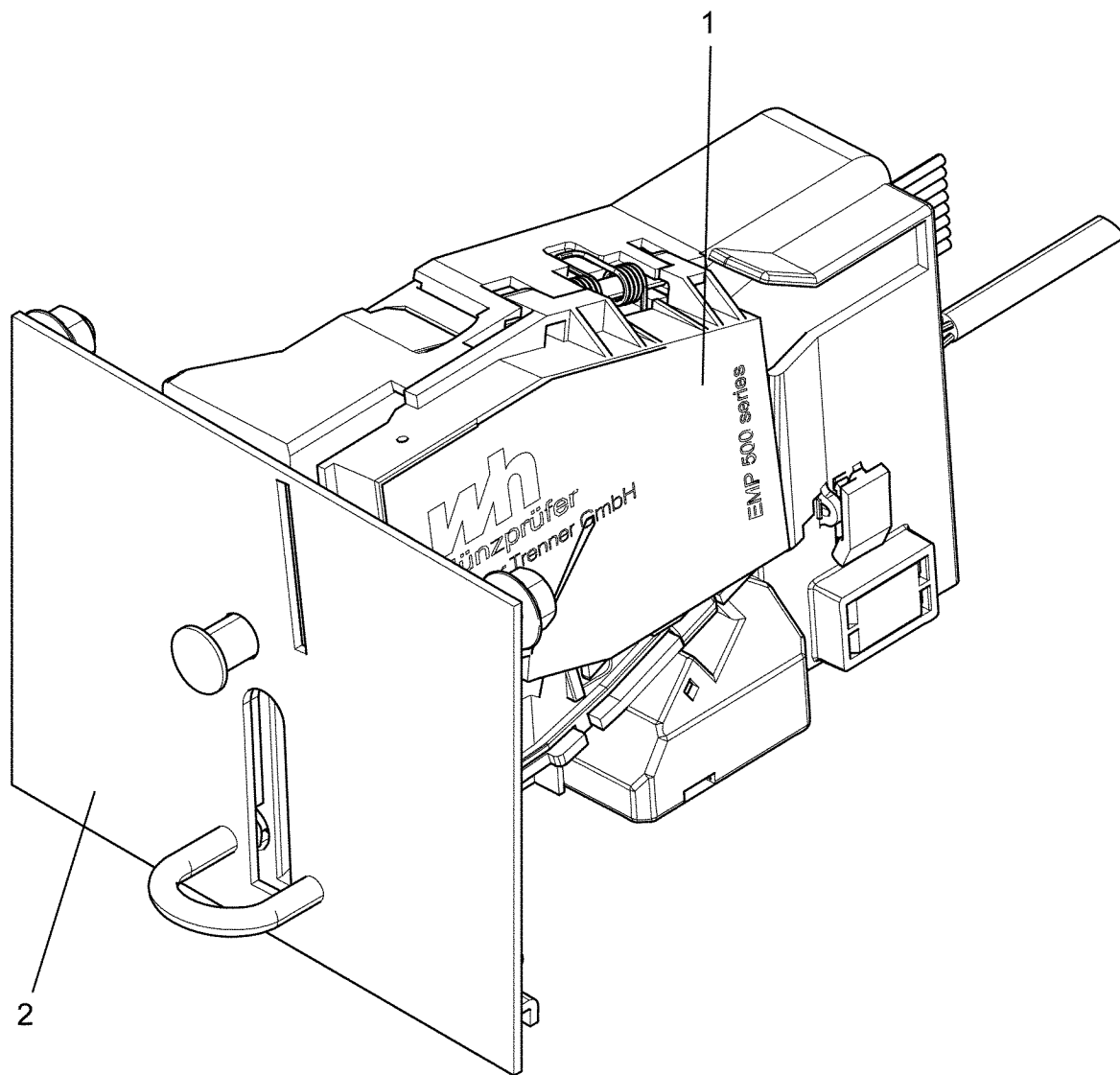
**Coin meter (for coinbox height 90mm)**

Illustration Issue Month Year  
Illustration Utgåva Månad År

**Myntmätare (för myntlåda höjd 90mm)**

**500446 2 5 2014**

| Item Pos. | Qua. Ant. | Art.No<br>Art.nr   | Description | Benämning  | Info<br>Info | Notes<br>Anmärkning |
|-----------|-----------|--------------------|-------------|------------|--------------|---------------------|
| <b>1</b>  | 1         | <b>438 8921-10</b> | Coin meter  | Myntmätare |              | 0,25 USD            |
| <b>2</b>  | 1         | <b>438 8921-01</b> | Front panel | Frontplåt  |              | 0,25 USD            |



500544\_01

**W575H Compass,W5105H Compass,W5130H Compass,W5180H Compass,W5240H Compass,W5300H Compass**

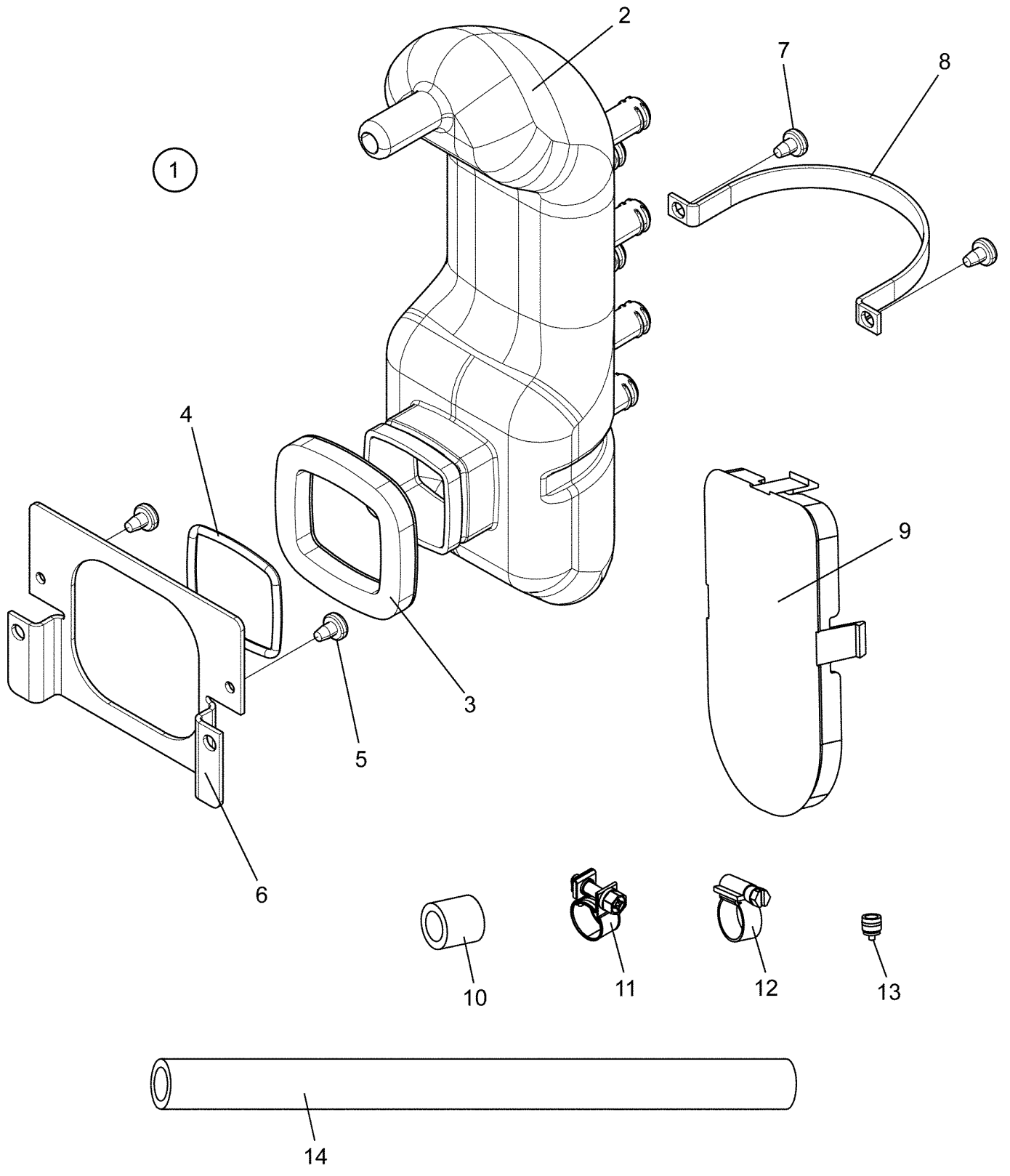
**Electronic coin meter (for coinbox height 90mm)**

Illustration Issue Month Year  
Illustration Utgåva Månad År

**Elektronisk myntmätare (för myntlåda höjd 90mm)**

**500544 1 6 2014**

| Item Pos. | Qua. Ant. | Art.No Art.nr      | Description | Benämning  | Info Info | Notes Anmärkning |
|-----------|-----------|--------------------|-------------|------------|-----------|------------------|
| <b>1</b>  | 1         | <b>438 8935-01</b> | Coin meter  | Myntmätare |           | JPY+KRW          |
|           | 1         | <b>438 8935-50</b> | Coin meter  | Myntmätare |           | CAD+USD          |
| <b>2</b>  | 1         | <b>438 8934-01</b> | Front panel | Frontplåt  |           | JPY+KRW          |
|           | 1         | <b>438 8934-50</b> | Front panel | Frontplåt  |           | CAD+USD          |



**W575H Compass,W5105H Compass,W5130H Compass,W5180H Compass,W5240H Compass,W5300H Compass**

**Liquid detergent USA**

Illustration Issue Month Year  
Illustration Utgåva Månad År

**Flytande tvättmedel USA**

**500470 3 9 2015**

| Item Pos.   | Qua. Ant. | Art.No<br>Art.nr   | Description | Benämning    | Info<br>Info | Notes<br>Anmärkning |
|-------------|-----------|--------------------|-------------|--------------|--------------|---------------------|
| <b>1</b>    | 1         | <b>472 9958-01</b> | Manifold    | Grenrör      |              | Complete            |
| <b>2</b>    | 1         | <b>432 2323-01</b> | •Manifold   | •Grenrör     |              |                     |
| <b>3</b>    | 1         | <b>438 8174-01</b> | •Gasket     | •Packning    |              |                     |
| <b>4</b>    | 1         | <b>471 8780-91</b> | •O-ring     | •O-ring      |              |                     |
| <b>5</b>    | 2         | <b>471 8342-13</b> | •Screw      | •Skruv       |              | MRT-TT 4X10         |
| <b>6</b>    | 1         | <b>432 2325-01</b> | •Bracket    | •Fäste       |              |                     |
| <b>7</b>    | 2         | <b>471 8342-11</b> | •Screw      | •Skruv       |              | MRT-TT 4X6          |
| <b>8</b>    | 1         | <b>432 2324-01</b> | •Clamp      | •Klämma      |              |                     |
| <b>9</b>    | 1         | <b>432 2409-01</b> | •Cover      | •Kåpa        |              |                     |
| <b>10</b>   | 1         | <b>471 9037-73</b> | •Sleeve     | •Hylsa       |              |                     |
| <b>11</b>   | 6         | <b>471 7851-10</b> | •Hose clamp | •Slangklämma |              |                     |
| <b>12</b>   | 3         | <b>736 2816-51</b> | •Hose clamp | •Slangklämma |              | Ø13-19              |
| <b>13</b>   | 1         | <b>471 8234-96</b> | •Restrictor | •Strypbricka |              |                     |
| <b>* 14</b> | 1         | <b>471 8116-01</b> | •Hose       | •Slang       |              | L=675               |

Numerical index/Nummerregister

| Art.No/Art.nr | Page/Sida | Art.No/Art.nr | Page/Sida | Art.No/Art.nr | Page/Sida | Art.No/Art.nr | Page/Sida |
|---------------|-----------|---------------|-----------|---------------|-----------|---------------|-----------|
| 413 1221-01   | 49        | 413 2965-02   | 17        | 413 3272-15   | 21        | 432 1406-01   | 21        |
| 413 1226-01   | 63        | 413 2965-02   | 21        | 413 3272-17   | 11        | 432 1406-02   | 17        |
| 413 2201-21   | 25        | 413 2965-03   | 17        | 413 3272-19   | 97        | 432 1406-02   | 21        |
| 413 2201-22   | 25        | 413 2965-03   | 21        | 413 3272-21   | 99        | 432 1407-01   | 17        |
| 413 2201-23   | 25        | 413 2965-04   | 17        | 413 3272-22   | 13        | 432 1407-01   | 21        |
| 413 2201-24   | 25        | 413 2965-04   | 21        | 413 3274-01   | 61        | 432 1407-02   | 17        |
| 413 2621-01   | 51        | 413 2965-05   | 17        | 413 3274-20   | 57        | 432 1407-02   | 21        |
| 413 2621-02   | 51        | 413 2965-11   | 11        | 413 3274-20   | 59        | 432 1411-01   | 17        |
| 413 2623-01   | 51        | 413 2965-12   | 11        | 413 3274-32   | 63        | 432 1412-01   | 17        |
| 413 2623-02   | 51        | 413 2965-13   | 11        | 413 3274-34   | 57        | 432 1413-01   | 21        |
| 413 2624-01   | 53        | 413 2965-22   | 13        | 413 3274-35   | 57        | 432 1414-01   | 21        |
| 413 2624-02   | 53        | 413 2965-23   | 13        | 413 3274-36   | 57        | 432 1418-01   | 11        |
| 413 2625-02   | 53        | 413 2965-24   | 11        | 413 3274-41   | 57        | 432 1419-01   | 11        |
| 413 2625-04   | 53        | 413 2965-24   | 13        | 413 3275-01   | 57        | 432 1420-01   | 13        |
| 413 2627-01   | 53        | 413 2965-25   | 13        | 413 3276-01   | 101       | 432 1421-01   | 13        |
| 413 2627-02   | 53        | 413 3082-05   | 63        | 413 3276-01   | 103       | 432 1421-01   | 17        |
| 413 2628-01   | 53        | 413 3082-21   | 77        | 413 3276-07   | 47        | 432 1421-01   | 21        |
| 413 2628-02   | 53        | 413 3082-29   | 77        | 413 3276-07   | 57        | 432 1426-01   | 17        |
| 413 2631-16   | 51        | 413 3082-30   | 77        | 413 3276-08   | 47        | 432 1426-01   | 21        |
| 413 2631-18   | 51        | 413 3082-35   | 61        | 413 3276-08   | 57        | 432 1437-01   | 21        |
| 413 2631-19   | 51        | 413 3084-02   | 63        | 413 3276-09   | 47        | 432 1438-01   | 11        |
| 413 2631-21   | 51        | 413 3084-09   | 57        | 413 3276-09   | 57        | 432 1438-01   | 15        |
| 413 2631-22   | 53        | 413 3084-10   | 47        | 413 3276-11   | 47        | 432 1438-01   | 19        |
| 413 2631-24   | 53        | 413 3084-10   | 57        | 413 3276-11   | 57        | 432 1438-02   | 23        |
| 413 2631-30   | 53        | 413 3084-16   | 57        | 413 3277-01   | 57        | 432 1453-01   | 7         |
| 413 2631-31   | 53        | 413 3084-18   | 57        | 413 3704-12   | 15        | 432 1453-01   | 9         |
| 413 2631-38   | 53        | 413 3084-19   | 57        | 413 3704-12   | 19        | 432 1453-01   | 11        |
| 413 2631-39   | 53        | 413 3084-21   | 47        | 413 3704-12   | 23        | 432 1453-01   | 13        |
| 413 2631-46   | 53        | 413 3084-21   | 57        | 413 4312-02   | 37        | 432 1453-01   | 17        |
| 413 2631-47   | 53        | 413 3084-22   | 47        | 413 5004-01   | 65        | 432 1453-01   | 21        |
| 413 2902-02   | 85        | 413 3084-22   | 57        | 413 5006-01   | 25        | 432 1454-01   | 43        |
| 413 2902-04   | 85        | 413 3084-23   | 47        | 413 5008-01   | 25        | 432 1455-01   | 43        |
| 413 2902-06   | 85        | 413 3084-23   | 57        | 413 5068-01   | 11        | 432 1458-01   | 7         |
| 413 2902-08*  | 67        | 413 3084-24   | 47        | 413 5068-01   | 13        | 432 1458-01   | 9         |
| 413 2902-08   | 85        | 413 3084-24   | 57        | 413 9701-31   | 43        | 432 1458-01   | 11        |
| 413 2902-10   | 85        | 413 3084-25   | 63        | 432 0641-01   | 43        | 432 1458-01   | 13        |
| 413 2902-12   | 85        | 413 3086-07   | 73        | 432 1206-01   | 7         | 432 1458-01   | 17        |
| 413 2903-02   | 89        | 413 3086-08   | 73        | 432 1211-02   | 7         | 432 1459-01   | 9         |
| 413 2903-04   | 89        | 413 3086-08   | 75        | 432 1212-03   | 7         | 432 1459-02   | 7         |
| 413 2905-02   | 61        | 413 3086-10   | 75        | 432 1220-01   | 63        | 432 1468-01   | 17        |
| 413 2915-01   | 25        | 413 3088-07   | 71        | 432 1229-01   | 43        | 432 1468-01   | 21        |
| 413 2915-01   | 29        | 413 3088-07   | 75        | 432 1256-01   | 9         | 432 1470-01   | 11        |
| 413 2915-02   | 25        | 413 3088-07   | 77        | 432 1257-01   | 7         | 432 1470-01   | 13        |
| 413 2915-02   | 61        | 413 3088-08   | 79        | 432 1261-01   | 9         | 432 1473-01   | 43        |
| 413 2918-01   | 47        | 413 3088-08   | 81        | 432 1262-02   | 9         | 432 1500-11   | 31        |
| 413 2918-01   | 63        | 413 3088-10   | 75        | 432 1264-01   | 9         | 432 1500-15   | 31        |
| 413 2918-02   | 47        | 413 3088-10   | 79        | 432 1265-01   | 9         | 432 1501-01   | 31        |
| 413 2918-02   | 63        | 413 3088-10   | 81        | 432 1294-01   | 87        | 432 1501-05   | 31        |
| 413 2918-03   | 47        | 413 3182-02   | 61        | 432 1295-01   | 11        | 432 1502-01   | 31        |
| 413 2918-03   | 63        | 413 3182-09   | 79        | 432 1295-01   | 13        | 432 1502-03   | 31        |
| 413 2918-04   | 47        | 413 3182-09   | 81        | 432 1295-01   | 17        | 432 1502-05   | 31        |
| 413 2918-04   | 63        | 413 3182-10   | 79        | 432 1295-01   | 21        | 432 1503-01   | 31        |
| 413 2918-05   | 47        | 413 3182-10   | 81        | 432 1306-01   | 11        | 432 1503-05   | 33        |
| 413 2918-05   | 63        | 413 3182-11   | 81        | 432 1307-01   | 11        | 432 1504-01   | 33        |
| 413 2918-06   | 47        | 413 3182-14   | 81        | 432 1311-01   | 11        | 432 1504-05   | 33        |
| 413 2918-06   | 63        | 413 3182-15   | 79        | 432 1312-02   | 11        | 432 1504-41   | 33        |
| 413 2918-07   | 47        | 413 3182-15   | 81        | 432 1335-01   | 17        | 432 1504-42   | 33        |
| 413 2918-08   | 47        | 413 3182-16   | 79        | 432 1335-01   | 21        | 432 1540-01   | 33        |
| 413 2918-09   | 47        | 413 3182-16   | 81        | 432 1336-01   | 13        | 432 1541-01   | 33        |
| 413 2936-01   | 51        | 413 3182-17   | 81        | 432 1356-01   | 13        | 432 1542-01   | 33        |
| 413 2936-01   | 53        | 413 3182-38*  | 67        | 432 1357-01   | 13        | 432 1543-01   | 33        |
| 413 2936-01   | 103       | 413 3184-02   | 65        | 432 1360-01   | 13        | 432 1544-01   | 33        |
| 413 2946-01   | 63        | 413 3184-05   | 65        | 432 1361-01   | 13        | 432 1545-01   | 33        |
| 413 2965-01   | 13        | 413 3272-06   | 7         | 432 1362-01   | 13        | 432 1546-01   | 33        |
| 413 2965-01   | 17        | 413 3272-09   | 9         | 432 1399-02   | 21        | 432 1547-01   | 33        |
| 413 2965-01   | 21        | 413 3272-15   | 17        | 432 1406-01   | 17        | 432 1548-01   | 33        |



Numerical index/Nummerregister

| Art.No/Art.nr | Page/Sida | Art.No/Art.nr | Page/Sida | Art.No/Art.nr | Page/Sida | Art.No/Art.nr | Page/Sida |
|---------------|-----------|---------------|-----------|---------------|-----------|---------------|-----------|
| 432 1549-01   | 33        | 432 1653-01   | 11        | 432 2037-10   | 27        | 432 2258-01   | 61        |
| 432 1550-01   | 33        | 432 1653-01   | 13        | 432 2037-11   | 27        | 432 2259-01   | 29        |
| 432 1551-01   | 33        | 432 1653-01   | 17        | 432 2037-31   | 27        | 432 2270-02   | 39        |
| 432 1552-01   | 33        | 432 1653-01   | 21        | 432 2037-32   | 27        | 432 2273-01   | 25        |
| 432 1553-01   | 33        | 432 1654-01   | 7         | 432 2038-03   | 29        | 432 2273-01   | 27        |
| 432 1554-01   | 33        | 432 1654-01   | 9         | 432 2038-10   | 29        | 432 2280-65   | 25        |
| 432 1560-01   | 33        | 432 1654-01   | 11        | 432 2040-03   | 29        | 432 2280-66   | 25        |
| 432 1561-01   | 33        | 432 1654-01   | 13        | 432 2040-10   | 29        | 432 2281-65   | 25        |
| 432 1562-01   | 33        | 432 1654-01   | 17        | 432 2050-01   | 27        | 432 2281-66   | 25        |
| 432 1563-01   | 33        | 432 1654-01   | 21        | 432 2050-02   | 27        | 432 2305-01   | 69        |
| 432 1564-01   | 33        | 432 1655-01   | 33        | 432 2051-01   | 27        | 432 2306-01   | 69        |
| 432 1565-01   | 35        | 432 1656-01   | 33        | 432 2051-02   | 27        | 432 2308-01   | 69        |
| 432 1566-01   | 35        | 432 1673-01   | 91        | 432 2052-01   | 27        | 432 2312-01   | 69        |
| 432 1567-01   | 35        | 432 1840-02   | 37        | 432 2052-02   | 27        | 432 2314-01   | 69        |
| 432 1568-01   | 35        | 432 1840-03   | 37        | 432 2057-03   | 25        | 432 2320-01   | 69        |
| 432 1569-01   | 35        | 432 1841-02   | 37        | 432 2057-10   | 25        | 432 2323-01   | 113       |
| 432 1570-11   | 31        | 432 1841-04   | 37        | 432 2058-03   | 25        | 432 2324-01   | 113       |
| 432 1570-12   | 31        | 432 1842-02   | 37        | 432 2058-10   | 25        | 432 2325-01   | 113       |
| 432 1570-13   | 31        | 432 1842-03   | 37        | 432 2059-05   | 27        | 432 2351-01   | 25        |
| 432 1571-01   | 31        | 432 1843-02   | 37        | 432 2059-06   | 27        | 432 2352-01   | 27        |
| 432 1571-02   | 31        | 432 1843-04   | 37        | 432 2059-10   | 27        | 432 2354-01   | 25        |
| 432 1571-03   | 31        | 432 1855-01   | 37        | 432 2059-11   | 27        | 432 2355-01   | 27        |
| 432 1572-01   | 31        | 432 1856-01   | 37        | 432 2064-01   | 27        | 432 2356-01   | 27        |
| 432 1572-02   | 31        | 432 1857-01   | 37        | 432 2065-01   | 27        | 432 2361-01   | 51        |
| 432 1572-03   | 31        | 432 1857-02   | 37        | 432 2066-01   | 27        | 432 2362-01   | 51        |
| 432 1573-01   | 31        | 432 1858-01   | 37        | 432 2067-01   | 27        | 432 2366-01   | 53        |
| 432 1573-02   | 31        | 432 1858-02   | 37        | 432 2068-01   | 27        | 432 2367-01   | 53        |
| 432 1573-03   | 31        | 432 1870-01   | 37        | 432 2069-01   | 27        | 432 2368-01   | 53        |
| 432 1574-01   | 31        | 432 1871-01   | 37        | 432 2077-02*  | 25        | 432 2372-01   | 27        |
| 432 1574-02   | 31        | 432 1872-01   | 37        | 432 2120-01   | 25        | 432 2404-51   | 93        |
| 432 1574-03   | 31        | 432 1873-01   | 37        | 432 2121-02   | 29        | 432 2405-02   | 93        |
| 432 1574-21   | 31        | 432 1874-01   | 37        | 432 2121-03   | 29        | 432 2406-02   | 93        |
| 432 1574-22   | 31        | 432 1885-03   | 37        | 432 2121-04   | 29        | 432 2407-01   | 93        |
| 432 1574-23   | 31        | 432 1885-11   | 37        | 432 2122-01   | 25        | 432 2409-01   | 93        |
| 432 1589-01   | 33        | 432 1886-02   | 37        | 432 2130-01   | 25        | 432 2409-01   | 113       |
| 432 1605-21   | 31        | 432 1886-11   | 37        | 432 2130-03   | 25        | 432 2412-01   | 93        |
| 432 1605-25   | 31        | 432 1887-03   | 37        | 432 2131-01   | 27        | 432 2413-01   | 93        |
| 432 1605-26   | 31        | 432 1887-04   | 37        | 432 2131-02   | 27        | 432 2501-01   | 83        |
| 432 1606-01   | 31        | 432 1887-11   | 37        | 432 2131-03   | 29        | 432 2502-01   | 65        |
| 432 1606-02   | 31        | 432 1887-12   | 37        | 432 2131-04   | 29        | 432 2502-01   | 83        |
| 432 1606-06   | 31        | 432 1888-04   | 37        | 432 2135-01   | 27        | 432 2505-01   | 83        |
| 432 1607-01   | 31        | 432 1888-05   | 37        | 432 2135-02   | 27        | 432 2506-01   | 65        |
| 432 1607-02   | 31        | 432 1888-11   | 37        | 432 2137-01   | 29        | 432 2507-01   | 65        |
| 432 1607-04   | 31        | 432 1888-12   | 37        | 432 2139-01   | 29        | 432 2508-01   | 65        |
| 432 1607-05   | 31        | 432 1950-02   | 37        | 432 2147-01   | 29        | 432 2508-03   | 65        |
| 432 1607-07   | 31        | 432 1951-01   | 37        | 432 2154-01   | 61        | 432 2508-04   | 65        |
| 432 1608-01   | 31        | 432 1961-01   | 37        | 432 2163-11   | 27        | 432 2511-01   | 65        |
| 432 1608-03   | 31        | 432 1962-01   | 37        | 432 2163-13   | 27        | 432 2511-01   | 67        |
| 432 1608-07   | 31        | 432 1982-01   | 41        | 432 2164-11   | 25        | 432 2511-03   | 67        |
| 432 1609-01   | 31        | 432 2002-01   | 27        | 432 2164-12   | 25        | 432 2511-05   | 67        |
| 432 1609-04   | 31        | 432 2003-01   | 27        | 432 2180-01   | 25        | 432 2511-06   | 67        |
| 432 1609-07   | 31        | 432 2004-01   | 27        | 432 2183-01   | 95        | 432 2515-01   | 65        |
| 432 1609-51   | 31        | 432 2032-03   | 27        | 432 2199-01   | 61        | 432 2516-02   | 65        |
| 432 1609-52   | 31        | 432 2032-10   | 27        | 432 2199-03   | 61        | 432 2516-04   | 85        |
| 432 1609-53   | 31        | 432 2033-10   | 27        | 432 2199-05   | 61        | 432 2516-05   | 85        |
| 432 1630-01   | 91        | 432 2033-11   | 27        | 432 2202-01   | 95        | 432 2516-06   | 67        |
| 432 1631-01   | 91        | 432 2033-31   | 27        | 432 2202-02   | 95        | 432 2516-10   | 67        |
| 432 1649-01   | 11        | 432 2033-32   | 27        | 432 2207-33   | 27        | 432 2517-01   | 85        |
| 432 1649-01   | 13        | 432 2034-03   | 27        | 432 2207-40   | 27        | 432 2518-01   | 85        |
| 432 1649-01   | 17        | 432 2034-10   | 27        | 432 2214-01   | 61        | 432 2518-02   | 67        |
| 432 1649-01   | 21        | 432 2035-10   | 27        | 432 2215-01   | 25        | 432 2518-03   | 85        |
| 432 1650-01   | 11        | 432 2035-11   | 27        | 432 2215-01   | 29        | 432 2518-04   | 85        |
| 432 1651-01   | 13        | 432 2035-31   | 27        | 432 2232-02   | 101       | 432 2520-01   | 65        |
| 432 1652-01   | 17        | 432 2035-32   | 27        | 432 2233-02   | 101       | 432 2520-02   | 65        |
| 432 1653-01   | 7         | 432 2036-03   | 27        | 432 2256-01   | 61        | 432 2524-01   | 85        |
| 432 1653-01   | 9         | 432 2036-10   | 27        | 432 2257-01   | 61        | 432 2524-01   | 89        |

Numerical index/Nummerregister

| Art.No/Art.nr | Page/Sida | Art.No/Art.nr | Page/Sida | Art.No/Art.nr | Page/Sida | Art.No/Art.nr | Page/Sida |
|---------------|-----------|---------------|-----------|---------------|-----------|---------------|-----------|
| 432 2524-02   | 85        | 432 2983-02   | 45        | 438 8120-01   | 65        | 438 8938-09   | 105       |
| 432 2524-02   | 89        | 432 2983-03   | 61        | 438 8120-02   | 65        | 438 8938-10   | 105       |
| 432 2528-03   | 65        | 432 2983-04   | 61        | 438 8120-03   | 65        | 438 8938-11   | 105       |
| 432 2528-05   | 65        | 432 2984-01   | 61        | 438 8155-01   | 33        | 438 8938-12   | 105       |
| 432 2528-05   | 67        | 432 2985-01   | 7         | 438 8155-02   | 33        | 438 8938-13   | 105       |
| 432 2530-02   | 85        | 432 2985-01   | 9         | 438 8155-03   | 33        | 438 9515-01   | 89        |
| 432 2531-01   | 67        | 432 2985-01   | 11        | 438 8155-04   | 33        | 438 9561-01   | 41        |
| 432 2531-01   | 85        | 432 2985-01   | 13        | 438 8155-05   | 33        | 438 9562-01   | 11        |
| 432 2532-01   | 89        | 432 2985-01   | 17        | 438 8156-01   | 11        | 438 9563-01   | 13        |
| 432 2533-01   | 89        | 432 2985-01   | 21        | 438 8156-01   | 13        | 438 9563-01   | 17        |
| 432 2534-01   | 67        | 432 2987-01   | 95        | 438 8156-01   | 17        | 438 9563-01   | 21        |
| 432 2534-01   | 85        | 432 2990-01   | 43        | 438 8156-03   | 21        | 438 9565-01   | 7         |
| 432 2536-01   | 85        | 432 2990-02   | 43        | 438 8158-01   | 43        | 438 9565-01   | 9         |
| 432 2537-01   | 85        | 432 2991-01   | 43        | 438 8158-02   | 43        | 438 9566-01   | 7         |
| 432 2538-01   | 89        | 432 2998-01   | 7         | 438 8160-01   | 7         | 438 9566-01   | 9         |
| 432 2548-01   | 67        | 432 2998-01   | 9         | 438 8160-01   | 9         | 438 9569-01   | 7         |
| 432 2548-01   | 85        | 432 3058-04   | 91        | 438 8172-01   | 43        | 438 9569-01   | 9         |
| 432 2550-01   | 67        | 432 3092-86   | 61        | 438 8174-01   | 113       | 438 9569-01   | 11        |
| 432 2551-01   | 67        | 432 3106-01   | 61        | 438 8270-01   | 89        | 438 9569-01   | 13        |
| 432 2552-01   | 67        | 432 3604-01   | 63        | 438 8270-02   | 89        | 438 9569-01   | 17        |
| 432 2553-01   | 67        | 432 3604-02   | 63        | 438 8271-01   | 67        | 438 9569-01   | 21        |
| 432 2554-01   | 67        | 432 5177-01   | 67        | 438 8271-02   | 67        | 438 9572-01   | 11        |
| 432 2558-01   | 67        | 432 5177-02   | 67        | 438 8701-01   | 61        | 438 9573-01   | 13        |
| 432 2561-01   | 67        | 432 6318-01   | 25        | 438 8701-01   | 103       | 438 9573-01   | 17        |
| 432 2562-01   | 67        | 432 6318-01   | 29        | 438 8701-02   | 103       | 438 9573-01   | 21        |
| 432 2653-10   | 51        | 432 6320-01   | 61        | 438 8701-03   | 61        | 438 9636-22   | 61        |
| 432 2653-10   | 53        | 432 6320-01   | 101       | 438 8701-03   | 103       | 438 9636-23   | 61        |
| 432 2653-11   | 51        | 432 6320-01   | 103       | 438 8701-04   | 103       | 438 9636-24   | 61        |
| 432 2653-11   | 53        | 432 6323-01   | 63        | 438 8720-01   | 61        | 438 9636-92   | 61        |
| 432 2653-12   | 51        | 432 6346-06   | 55        | 438 8720-02   | 61        | 438 9636-93   | 61        |
| 432 2653-12   | 53        | 432 6353-02   | 55        | 438 8720-03   | 61        | 438 9636-94   | 61        |
| 432 2653-14   | 51        | 432 6355-02   | 59        | 438 8774-02   | 47        | 438 9678-01   | 61        |
| 432 2653-14   | 53        | 432 6356-01   | 59        | 438 8775-09   | 101       | 438 9678-02   | 61        |
| 432 2653-15   | 51        | 432 6372-01   | 59        | 438 8775-09   | 103       | 438 9678-03   | 61        |
| 432 2653-15   | 53        | 432 6373-01   | 59        | 438 8797-02   | 63        | 438 9678-04   | 61        |
| 432 2653-30   | 51        | 432 6805-07   | 61        | 438 8921-01   | 109       | 438 9678-11   | 61        |
| 432 2653-30   | 53        | 432 6809-01   | 55        | 438 8921-10   | 109       | 438 9678-12   | 61        |
| 432 2653-31   | 51        | 432 6810-02   | 59        | 438 8924-99   | 107       | 438 9678-13   | 61        |
| 432 2653-31   | 53        | 432 6820-02   | 55        | 438 8931-59   | 107       | 438 9678-14   | 61        |
| 432 2653-80   | 51        | 432 6903-02   | 63        | 438 8931-60   | 107       | 438 9702-71   | 43        |
| 432 2653-80   | 53        | 432 6903-03   | 61        | 438 8931-75   | 107       | 438 9703-21   | 43        |
| 432 2905-27   | 41        | 432 6930-03   | 61        | 438 8931-76   | 107       | 438 9705-21   | 43        |
| 432 2905-27   | 57        | 432 6933-03   | 63        | 438 8931-78   | 107       | 438 9705-61   | 43        |
| 432 2905-29   | 41        | 432 6937-01   | 49        | 438 8931-79   | 107       | 438 9705-71   | 43        |
| 432 2905-29   | 57        | 438 0051-01   | 83        | 438 8931-81   | 107       | 438 9799-01   | 47        |
| 432 2905-31   | 41        | 438 0052-01   | 83        | 438 8931-82   | 107       | 438 9799-02   | 43        |
| 432 2905-31   | 57        | 438 0053-01   | 83        | 438 8931-85   | 107       | 438 9799-03   | 43        |
| 432 2905-33   | 41        | 438 0054-01   | 83        | 438 8931-86   | 107       | 438 9799-13*  | 47        |
| 432 2905-33   | 57        | 438 0055-01   | 83        | 438 8931-87   | 107       | 471 2032-39   | 87        |
| 432 2905-35   | 41        | 438 0056-03   | 69        | 438 8931-88   | 107       | 471 2265-69   | 25        |
| 432 2905-35   | 57        | 438 0056-04   | 69        | 438 8931-89   | 107       | 471 2265-69   | 29        |
| 432 2950-02   | 7         | 438 0083-01   | 65        | 438 8931-90   | 107       | 471 2265-69   | 55        |
| 432 2950-02   | 9         | 438 0093-10   | 87        | 438 8931-91   | 107       | 471 2265-69   | 65        |
| 432 2953-10   | 7         | 438 4062-01   | 37        | 438 8932-04   | 107       | 471 2409-89   | 69        |
| 432 2953-10   | 9         | 438 5022-01   | 89        | 438 8934-01   | 111       | 471 2436-10   | 25        |
| 432 2954-03   | 61        | 438 5040-01   | 65        | 438 8934-50   | 111       | 471 2436-10   | 29        |
| 432 2954-13   | 61        | 438 5109-02   | 25        | 438 8935-01   | 111       | 471 2437-15   | 27        |
| 432 2954-14   | 61        | 438 5124-05   | 43        | 438 8935-50   | 111       | 471 2442-42   | 65        |
| 432 2954-26   | 89        | 438 7507-01   | 25        | 438 8938-01   | 105       | 471 2445-01*  | 55        |
| 432 2961-01   | 47        | 438 7509-01   | 7         | 438 8938-02   | 105       | 471 2464-18   | 65        |
| 432 2977-01   | 11        | 438 7509-02   | 9         | 438 8938-03   | 105       | 471 2937-01   | 91        |
| 432 2977-01   | 13        | 438 7510-01   | 9         | 438 8938-04   | 105       | 471 4391-02   | 89        |
| 432 2977-01   | 17        | 438 7950-01   | 63        | 438 8938-05   | 105       | 471 4672-67   | 25        |
| 432 2977-01   | 21        | 438 7950-02   | 63        | 438 8938-06   | 105       | 471 4673-93   | 63        |
| 432 2982-10   | 85        | 438 8102-06   | 65        | 438 8938-07   | 105       | 471 4835-01   | 65        |
| 432 2983-01   | 45        | 438 8109-02   | 87        | 438 8938-08   | 105       | 471 6858-82   | 89        |

Numerical index/Nummerregister

| Art.No/Art.nr | Page/Sida | Art.No/Art.nr | Page/Sida | Art.No/Art.nr | Page/Sida | Art.No/Art.nr | Page/Sida |
|---------------|-----------|---------------|-----------|---------------|-----------|---------------|-----------|
| 471 6858-83   | 89        | 471 8210-70   | 81        | 471 8356-06   | 43        | 471 9628-75   | 99        |
| 471 7565-21   | 25        | 471 8210-71   | 79        | 471 8356-08   | 43        | 471 9628-85   | 99        |
| 471 7565-21   | 29        | 471 8210-71   | 81        | 471 8356-14   | 43        | 471 9678-94   | 63        |
| 471 7705-02   | 43        | 471 8210-78   | 79        | 471 8376-01   | 103       | 471 9821-99   | 7         |
| 471 7705-03   | 43        | 471 8210-78   | 81        | 471 8376-99   | 103       | 471 9821-99   | 9         |
| 471 7711-07   | 43        | 471 8210-79   | 79        | 471 8404-02   | 37        | 471 9822-99   | 11        |
| 471 7711-12   | 43        | 471 8210-79   | 81        | 471 8404-03   | 83        | 471 9822-99   | 15        |
| 471 7711-13   | 43        | 471 8215-01   | 67        | 471 8413-01   | 7         | 471 9822-99   | 19        |
| 471 7807-02   | 7         | 471 8215-01   | 85        | 471 8413-01   | 9         | 471 9822-99   | 23        |
| 471 7807-02   | 9         | 471 8215-03   | 85        | 471 8413-01   | 11        | 471 9825-01   | 11        |
| 471 7807-02   | 11        | 471 8231-03*  | 85        | 471 8413-01   | 13        | 471 9825-02   | 11        |
| 471 7807-02   | 13        | 471 8234-52   | 77        | 471 8413-01   | 17        | 471 9825-03   | 11        |
| 471 7807-02   | 17        | 471 8234-96   | 113       | 471 8413-01   | 21        | 471 9825-04   | 11        |
| 471 7807-02   | 21        | 471 8236-76   | 73        | 471 8458-02   | 37        | 471 9825-11   | 13        |
| 471 7818-01   | 83        | 471 8236-76   | 75        | 471 8502-00   | 43        | 471 9825-12   | 13        |
| 471 7826-10   | 25        | 471 8236-78   | 73        | 471 8502-10   | 43        | 471 9825-13   | 13        |
| 471 7826-10   | 29        | 471 8236-78   | 75        | 471 8502-14   | 35        | 471 9825-21   | 17        |
| 471 7851-10   | 113       | 471 8236-79   | 73        | 471 8502-14   | 43        | 471 9825-21   | 21        |
| 471 7859-16   | 61        | 471 8236-79   | 75        | 471 8502-34   | 7         | 471 9825-22   | 17        |
| 471 7864-01   | 25        | 471 8240-63   | 71        | 471 8502-34   | 9         | 471 9825-22   | 21        |
| 471 7871-01   | 67        | 471 8240-63   | 77        | 471 8502-34   | 11        | 471 9825-23   | 17        |
| 471 7871-04   | 69        | 471 8240-63   | 79        | 471 8502-34   | 13        | 471 9825-23   | 21        |
| 471 7871-04   | 83        | 471 8240-63   | 81        | 471 8502-34   | 17        | 471 9825-24   | 17        |
| 471 7871-07   | 65        | 471 8240-64   | 75        | 471 8502-34   | 21        | 471 9825-24   | 21        |
| 471 7871-07   | 85        | 471 8240-67   | 75        | 471 8502-34   | 23        | 471 9829-01   | 11        |
| 471 7871-07   | 89        | 471 8240-68   | 75        | 471 8527-01   | 39        | 471 9829-02   | 11        |
| 471 7871-08   | 69        | 471 8240-69   | 77        | 471 8555-03   | 7         | 471 9829-04   | 11        |
| 471 7873-02*  | 55        | 471 8240-69   | 79        | 471 8555-03   | 9         | 471 9829-11   | 13        |
| 471 7887-01   | 65        | 471 8240-69   | 81        | 471 8555-03   | 11        | 471 9829-12   | 13        |
| 471 7958-02   | 63        | 471 8243-07   | 65        | 471 8555-03   | 13        | 471 9829-13   | 13        |
| 471 7960-02   | 63        | 471 8243-08   | 65        | 471 8555-03   | 17        | 471 9829-21   | 17        |
| 471 7960-02   | 101       | 471 8243-09   | 65        | 471 8555-03   | 21        | 471 9829-21   | 21        |
| 471 7960-02   | 103       | 471 8243-10   | 65        | 471 8624-01   | 91        | 471 9829-22   | 17        |
| 471 7977-01   | 69        | 471 8279-08   | 91        | 471 8641-02   | 25        | 471 9829-22   | 21        |
| 471 7977-03   | 63        | 471 8322-03   | 43        | 471 8641-02   | 27        | 471 9829-23   | 17        |
| 471 7977-04   | 63        | 471 8323-01   | 33        | 471 8644-02   | 69        | 471 9829-23   | 21        |
| 471 7977-04   | 69        | 471 8328-02   | 33        | 471 8644-02   | 87        | 471 9837-01   | 7         |
| 471 7980-01   | 29        | 471 8328-05   | 7         | 471 8688-13   | 69        | 471 9837-04   | 7         |
| 471 7984-01   | 63        | 471 8328-05   | 9         | 471 8688-13   | 83        | 471 9837-05   | 7         |
| 471 8116-01*  | 113       | 471 8328-05   | 11        | 471 8693-21   | 69        | 471 9837-06   | 7         |
| 471 8116-17*  | 89        | 471 8328-05   | 13        | 471 8695-01   | 91        | 471 9837-07   | 7         |
| 471 8126-25   | 91        | 471 8328-05   | 17        | 471 8697-01   | 91        | 471 9837-08   | 7         |
| 471 8126-26   | 91        | 471 8328-05   | 21        | 471 8750-11   | 63        | 471 9837-11   | 9         |
| 471 8126-27   | 91        | 471 8328-06   | 7         | 471 8750-16   | 61        | 471 9837-12   | 9         |
| 471 8126-28   | 91        | 471 8328-06   | 9         | 471 8767-01   | 61        | 471 9837-13   | 9         |
| 471 8126-29   | 91        | 471 8328-07   | 7         | 471 8767-02   | 61        | 471 9837-14   | 9         |
| 471 8126-38   | 91        | 471 8328-07   | 9         | 471 8768-02   | 47        | 471 9837-15   | 9         |
| 471 8128-54   | 65        | 471 8328-08   | 11        | 471 8780-91   | 113       | 471 9839-01   | 7         |
| 471 8128-59   | 65        | 471 8328-08   | 17        | 471 8783-01   | 61        | 471 9839-11   | 9         |
| 471 8128-60   | 65        | 471 8328-08   | 21        | 471 8783-03   | 61        | 472 5797-10   | 51        |
| 471 8128-62   | 65        | 471 8328-09   | 13        | 471 8783-04   | 61        | 472 5797-10   | 53        |
| 471 8128-66   | 65        | 471 8328-09   | 17        | 471 8826-01   | 43        | 472 5797-12   | 51        |
| 471 8128-68   | 65        | 471 8328-09   | 21        | 471 8827-01   | 43        | 472 5797-12   | 53        |
| 471 8128-73   | 65        | 471 8328-11   | 13        | 471 8861-02   | 25        | 472 5797-13   | 51        |
| 471 8139-01   | 65        | 471 8340-13   | 51        | 471 8861-02   | 29        | 472 5797-13   | 53        |
| 471 8139-11   | 65        | 471 8340-13   | 53        | 471 8861-03   | 55        | 472 5797-20*  | 51        |
| 471 8139-16   | 65        | 471 8341-15   | 101       | 471 8863-02   | 55        | 472 5797-20*  | 53        |
| 471 8175-01   | 69        | 471 8342-11   | 113       | 471 9037-73   | 113       | 472 5797-23*  | 51        |
| 471 8180-10   | 11        | 471 8342-13   | 45        | 471 9219-65   | 85        | 472 5797-23*  | 53        |
| 471 8180-10   | 13        | 471 8342-13   | 113       | 471 9222-59   | 35        | 472 5797-30   | 51        |
| 471 8180-10   | 17        | 471 8342-15   | 29        | 471 9525-32*  | 67        | 472 5797-30   | 53        |
| 471 8180-10   | 23        | 471 8342-23   | 43        | 471 9608-01   | 95        | 472 5797-35   | 51        |
| 471 8195-01   | 83        | 471 8342-47   | 41        | 471 9628-32   | 97        | 472 5797-35   | 53        |
| 471 8196-01   | 25        | 471 8344-35   | 25        | 471 9628-71   | 97        | 472 5797-40   | 51        |
| 471 8199-01   | 69        | 471 8344-36   | 39        | 471 9628-71   | 99        | 472 5797-40   | 53        |
| 471 8210-70   | 79        | 471 8356-05   | 43        | 471 9628-75   | 97        | 472 5797-42   | 53        |

Numerical index/Nummerregister

| Art.No/Art.nr | Page/Sida | Art.No/Art.nr | Page/Sida | Art.No/Art.nr | Page/Sida | Art.No/Art.nr | Page/Sida |
|---------------|-----------|---------------|-----------|---------------|-----------|---------------|-----------|
| 472 5797-50   | 51        | 472 9952-06   | 29        | 735 3147-00   | 35        |               |           |
| 472 5797-50   | 53        | 472 9952-07   | 29        | 735 9370-01   | 33        |               |           |
| 472 5797-51   | 51        | 472 9952-08   | 29        | 735 9501-01   | 33        |               |           |
| 472 5797-51   | 53        | 472 9952-10   | 29        | 735 9630-01   | 33        |               |           |
| 472 5797-80   | 51        | 472 9952-11   | 29        | 736 2816-51   | 69        |               |           |
| 472 5797-80   | 53        | 472 9952-12   | 29        | 736 2816-51   | 89        |               |           |
| 472 6760-01   | 89        | 472 9952-13   | 29        | 736 2816-51   | 113       |               |           |
| 472 9768-01   | 33        | 472 9953-01   | 37        | 736 2825-51   | 65        |               |           |
| 472 9900-99   | 25        | 472 9953-02   | 37        | 736 2825-51   | 69        |               |           |
| 472 9900-99   | 29        | 472 9953-03   | 37        | 736 2825-51   | 89        |               |           |
| 472 9904-98   | 7         | 472 9953-04   | 37        | 736 2831-51   | 65        |               |           |
| 472 9904-98   | 9         | 472 9954-01   | 93        | 736 2831-51   | 67        |               |           |
| 472 9904-98   | 11        | 472 9954-03   | 93        | 736 2837-51   | 65        |               |           |
| 472 9904-98   | 13        | 472 9955-01   | 103       | 736 2837-51   | 67        |               |           |
| 472 9904-98   | 17        | 472 9955-02   | 101       | 736 2837-51   | 69        |               |           |
| 472 9904-98   | 21        | 472 9955-03   | 103       | 736 2837-51   | 85        |               |           |
| 472 9913-03   | 7         | 472 9955-04   | 101       | 736 2837-51   | 87        |               |           |
| 472 9913-04   | 9         | 472 9955-05   | 103       | 736 2837-51   | 89        |               |           |
| 472 9913-05   | 11        | 472 9955-06   | 103       | 736 2840-51   | 65        |               |           |
| 472 9913-06   | 13        | 472 9955-07   | 51        | 736 2840-51   | 87        |               |           |
| 472 9913-07   | 17        | 472 9955-07   | 53        | 736 2840-51   | 89        |               |           |
| 472 9913-08   | 7         | 472 9955-07   | 97        | 736 2846-51   | 65        |               |           |
| 472 9913-08   | 9         | 472 9955-07   | 99        | 736 2846-51   | 67        |               |           |
| 472 9913-08   | 17        | 472 9956-01   | 51        | 736 2846-51   | 69        |               |           |
| 472 9913-08   | 21        | 472 9956-01   | 53        | 736 2846-51   | 85        |               |           |
| 472 9913-09   | 11        | 472 9956-02   | 51        | 736 2849-51   | 89        |               |           |
| 472 9913-10   | 13        | 472 9956-02   | 53        | 740 4206-00   | 69        |               |           |
| 472 9913-10   | 17        | 472 9956-03   | 51        | 741 5109-25   | 69        |               |           |
| 472 9913-11   | 11        | 472 9956-03   | 53        | 744 3113-06   | 91        |               |           |
| 472 9913-11   | 13        | 472 9957-01   | 37        | 877 5211-08   | 69        |               |           |
| 472 9913-12   | 33        | 472 9958-01   | 113       |               |           |               |           |
| 472 9913-13   | 33        | 472 9962-01   | 31        |               |           |               |           |
| 472 9913-17   | 33        | 490 4440-17   | 61        |               |           |               |           |
| 472 9913-18   | 33        | 725 2366-61   | 37        |               |           |               |           |
| 472 9913-19   | 33        | 725 2461-51   | 7         |               |           |               |           |
| 472 9913-33   | 21        | 725 2461-51   | 9         |               |           |               |           |
| 472 9913-63   | 21        | 725 2461-51   | 11        |               |           |               |           |
| 472 9913-64   | 33        | 725 2461-51   | 13        |               |           |               |           |
| 472 9919-30   | 101       | 725 2461-51   | 17        |               |           |               |           |
| 472 9919-31   | 101       | 725 2461-51   | 21        |               |           |               |           |
| 472 9919-32   | 101       | 725 2464-51   | 7         |               |           |               |           |
| 472 9919-33   | 101       | 725 2464-51   | 9         |               |           |               |           |
| 472 9920-01   | 39        | 725 2464-51   | 11        |               |           |               |           |
| 472 9920-31   | 91        | 725 2464-51   | 13        |               |           |               |           |
| 472 9929-31   | 47        | 725 2464-51   | 17        |               |           |               |           |
| 472 9929-32   | 47        | 725 2464-51   | 21        |               |           |               |           |
| 472 9929-41   | 47        | 725 2465-71   | 7         |               |           |               |           |
| 472 9929-51   | 47        | 725 2465-71   | 9         |               |           |               |           |
| 472 9938-01   | 47        | 725 2465-71   | 11        |               |           |               |           |
| 472 9938-02   | 47        | 725 2465-71   | 13        |               |           |               |           |
| 472 9938-03   | 47        | 725 2465-71   | 17        |               |           |               |           |
| 472 9940-02   | 51        | 725 2465-71   | 21        |               |           |               |           |
| 472 9940-02   | 53        | 732 2118-01   | 7         |               |           |               |           |
| 472 9940-04   | 51        | 732 2118-01   | 9         |               |           |               |           |
| 472 9940-04   | 53        | 732 2118-01   | 11        |               |           |               |           |
| 472 9951-01   | 25        | 732 2118-01   | 13        |               |           |               |           |
| 472 9951-03   | 25        | 732 2118-01   | 17        |               |           |               |           |
| 472 9951-11   | 25        | 732 2118-01   | 21        |               |           |               |           |
| 472 9951-13   | 25        | 732 2118-01   | 35        |               |           |               |           |
| 472 9951-21   | 25        | 732 2118-01   | 43        |               |           |               |           |
| 472 9951-23   | 25        | 732 2122-01   | 43        |               |           |               |           |
| 472 9952-01   | 29        | 734 1178-01   | 43        |               |           |               |           |
| 472 9952-02   | 29        | 735 2153-01   | 25        |               |           |               |           |
| 472 9952-03   | 29        | 735 3133-00   | 33        |               |           |               |           |
| 472 9952-04   | 29        | 735 3139-00   | 33        |               |           |               |           |
| 472 9952-05   | 29        | 735 3144-00   | 33        |               |           |               |           |

Numerical index/Nummerregister

| Art.No/Art.nr | Page/Sida | Art.No/Art.nr | Page/Sida | Art.No/Art.nr | Page/Sida | Art.No/Art.nr | Page/Sida |
|---------------|-----------|---------------|-----------|---------------|-----------|---------------|-----------|
|               |           |               |           |               |           |               |           |



**ELECTROLUX LAUNDRY SYSTEMS**

ELECTROLUX LAUNDRY SYSTEMS SWEDEN AB  
341 80 Ljungby, Sweden. Telephone +46 372 661 00. Telefax +46 372 133 90  
Internet: [www.electrolux-wascator.com](http://www.electrolux-wascator.com) E-mail: [els.info@electrolux.se](mailto:els.info@electrolux.se)