

# Section 6

## Parts Data CABINET GROUP

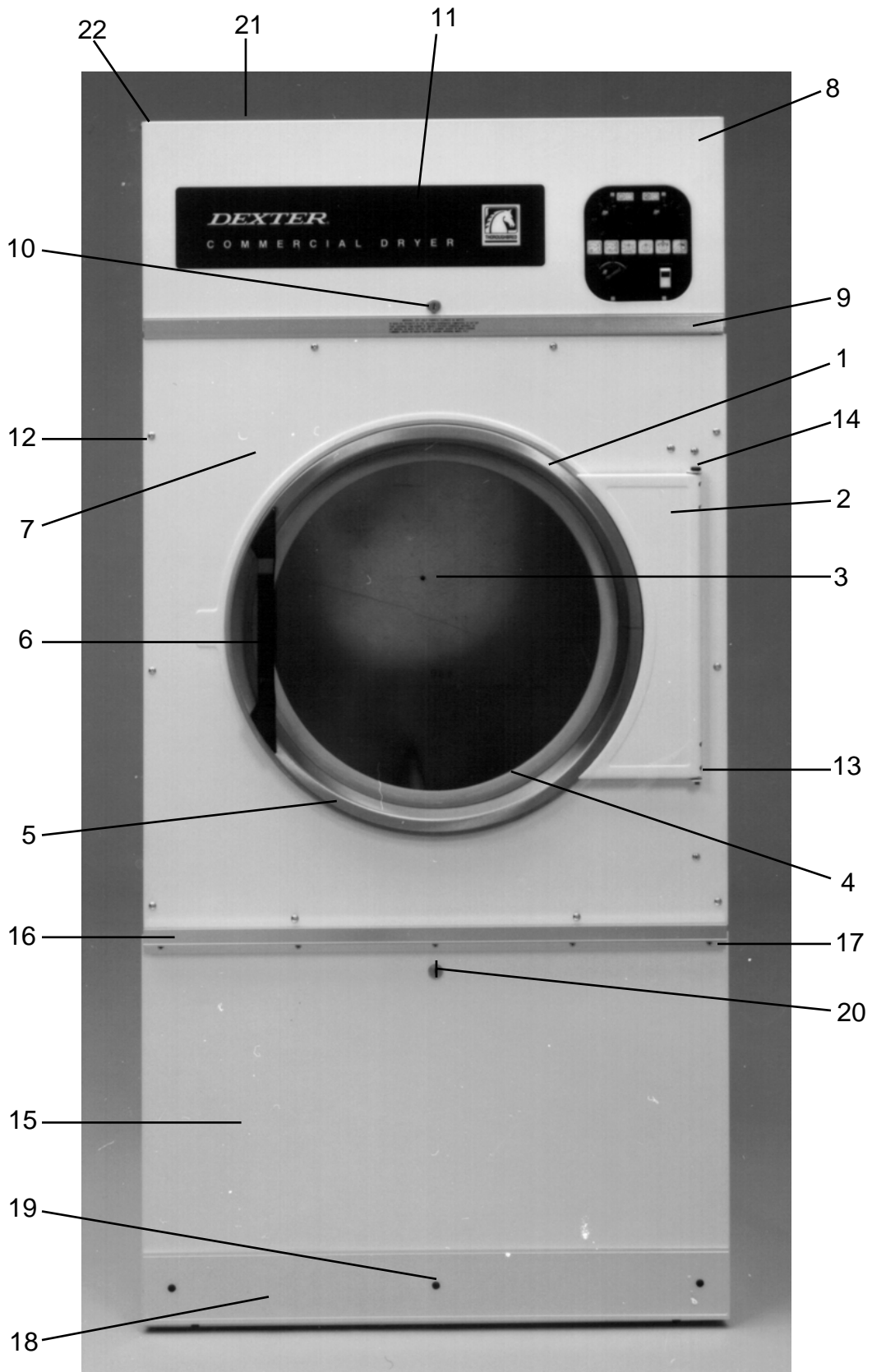
Key	Part Number	Description	
*	9960-256-021	Door Assy., Loading Complete-Wht.....	1
*	9960-256-025	Door Assy., Loading Complete-SS.....	1
1	9960-255-007	Door Assy., Loading-SS.....	1
2	9982-280-002	Plate Assy., Hinge (Wht).....	1
2	9982-280-011	Plate Assy., Hinge (SS).....	1
*	9545-012-015	Screw, Hinge to Door.....	4
*	8640-413-002	Nut, Hinge to Door.....	4
3	9212-002-003	Glass, Door.....	1
4	9206-164-009	Gasket, Glass.....	1
*	9548-117-000	Support, Door Glass (inside gasket).....	1
5	9206-420-002	Gasket, Outer Rim.....	1
6	9244-082-001	Handle, Loading Door.....	1
*	9545-018-017	Screw, Handle.....	2
*	9531-033-001	Stud, Door Catch.....	1
*	9086-015-002	Catch, Loading Door.....	1
*	8640-413-003	Acorn Nut, Hex.....	1
7	9454-694-007	Panel Assy., Front- white.....	1
7	9454-694-001	Panel Assy., Front-S. Steel.....	1
*	8640-413-001	Nut Hex #10-32.....	1
8	9108-102-002	Door, Upper Service-S.S.....	1
8	9108-102-006	Door, Upper Service-White.....	1
9	9578-091-003	Trim, Door-Upper Service.....	1
10	8650-006-003	Lock, Upper Service.....	1
*	6292-006-006	Key-Only Service Lock.....	1
*	8638-211-001	Rivet, Drive.....	2
*	8641-581-005	Washer, Flat.....	2
*	9548-243-002	Support, Upper Door.....	1
11	9412-083-001	Nameplate, DEXTER Commercial Dryer.....	1
12	9545-012-003	Screw, Chrome.....	4
*	8641-436-000	Washer, Fiber.....	4
*	8641-582-019	Lockwasher.....	10
*	8640-399-001	Nut, Spring.....	6
13	9544-047-002	Strap, Hinge (White).....	1
13	9544-047-007	Strap, Hinge (Gray).....	1
*	9545-008-009	Screw, Hinge to Panel.....	4
14	9545-052-001	Screw, Door to Hinge Strap.....	1
*	8641-436-004	Washer, Fiber.....	1

\* Not Illustrated

## CABINET GROUP (continued)

Key	Part Number	Description	
15	9960-262-001	Door Ass'y, Lower Service-SS.....	1
15	9960-262-003	Door Ass'y, Lower Service-White.....	1
16	9578-088-002	Trim, Door - Lower Service.....	1
17	9545-008-021	Screw, Pn Hd Cr., #10x 3/8.....	5
18	9578-084-003	Trim, Kick- Lower Service Door.....	1
19	9545-008-010	Screw, Tr Hd Cr #10x 1/2 Blk.....	3
20	8650-026-001	Latch, Lower Door (Thumbtum).....	1
*	8544-005-000	Leg, Leveling.....	4
*	9812-012-001	Outer Baffle, Cabinet- Left.....	1
*	9812-012-002	Outer Baffle, Cabinet- Right.....	1
*	9545-008-003	Screw, #10x 1/2.....	8
21	9074-276-001	Cover, Cabinet.....	1
22	9545-008-024	Screw #10 AB x 3/8.....	10

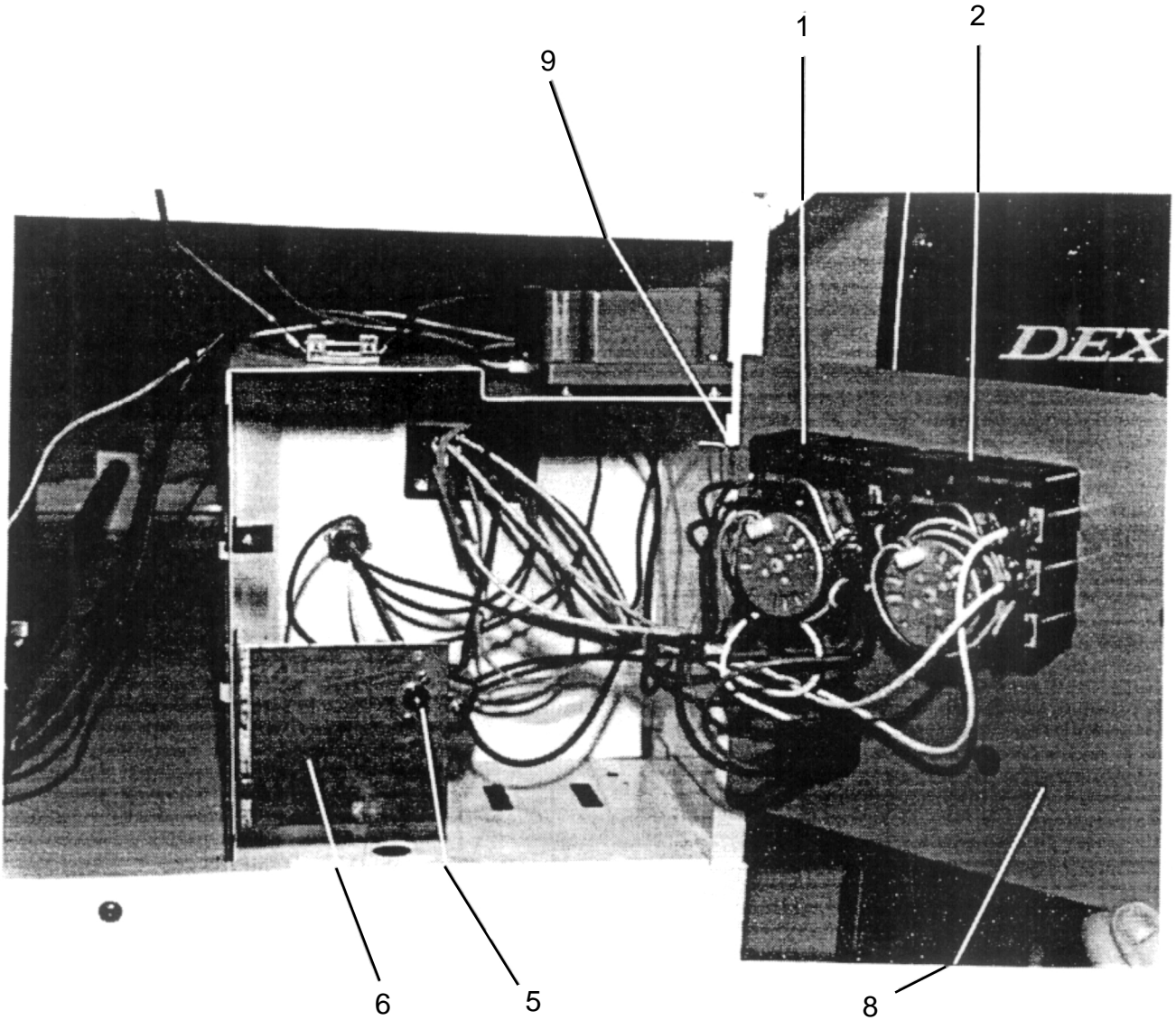
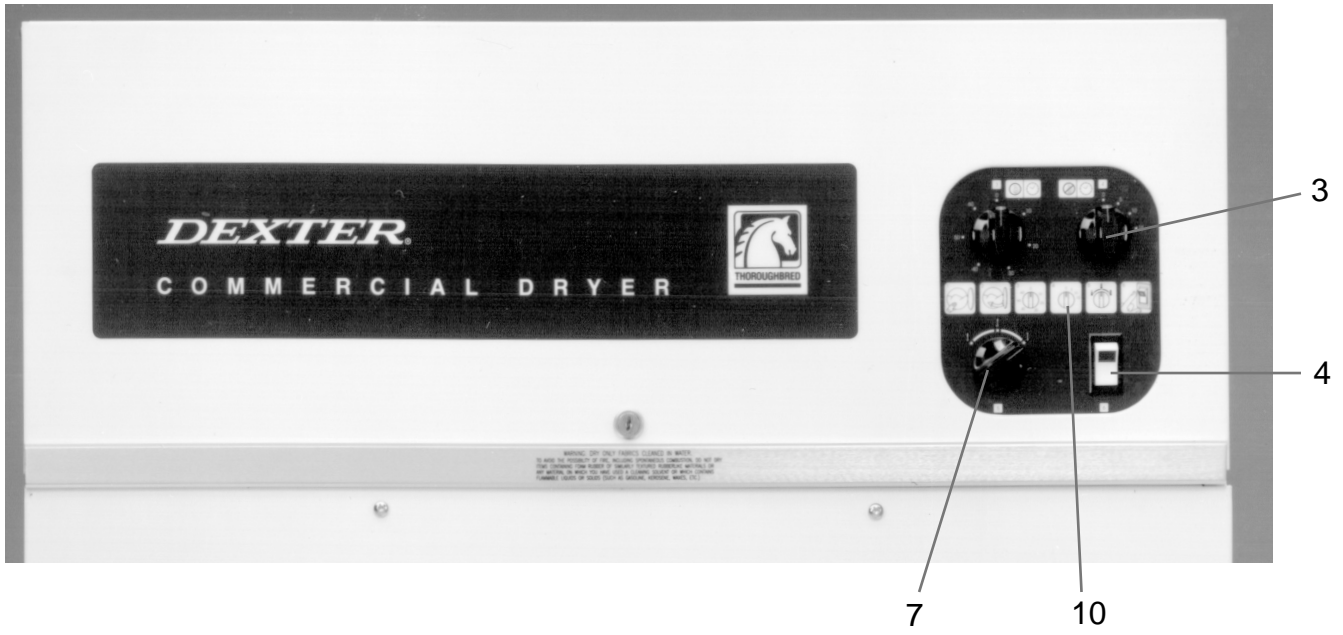
\* Not Illustrated



# CONTROL HOUSING GROUP

Key	Part Number	Description	
1	9571-350-002	Timer, Dry Time.....	1
2	9571-350-002	Timer, Cool-down Time.....	1
3	9307-176-001	Knob, Timer.....	2
*	9545-010-003	Screw, Hx #8-32 x $\frac{3}{16}$ .....	4
4	9539-460-001	Switch, Push-To-Start.....	1
5	9576-209-003	Thermostat, Temp. Control.....	1
6	9029-085-001	Bracket, Thermostat.....	1
7	9307-176-001	Knob, Temperature Control.....	1
*	9545-045-008	Screw, #8 Ab x $\frac{3}{8}$ .....	6
*	9029-088-001	Bracket, Bulb Mtg.....	1
*	9083-113-001	Clip.....	1
*	9079-121-002	Clamp, Tube.....	1
8	9452-666-002	Plate, Control Timer Assembly Painted.....	1
*	9982-280-002	Plate, Assembly Hinge Complete Painted.....	1
9	9451-146-001	Pin.....	1
10	8527-114-001	Decal, Control Panel.....	1

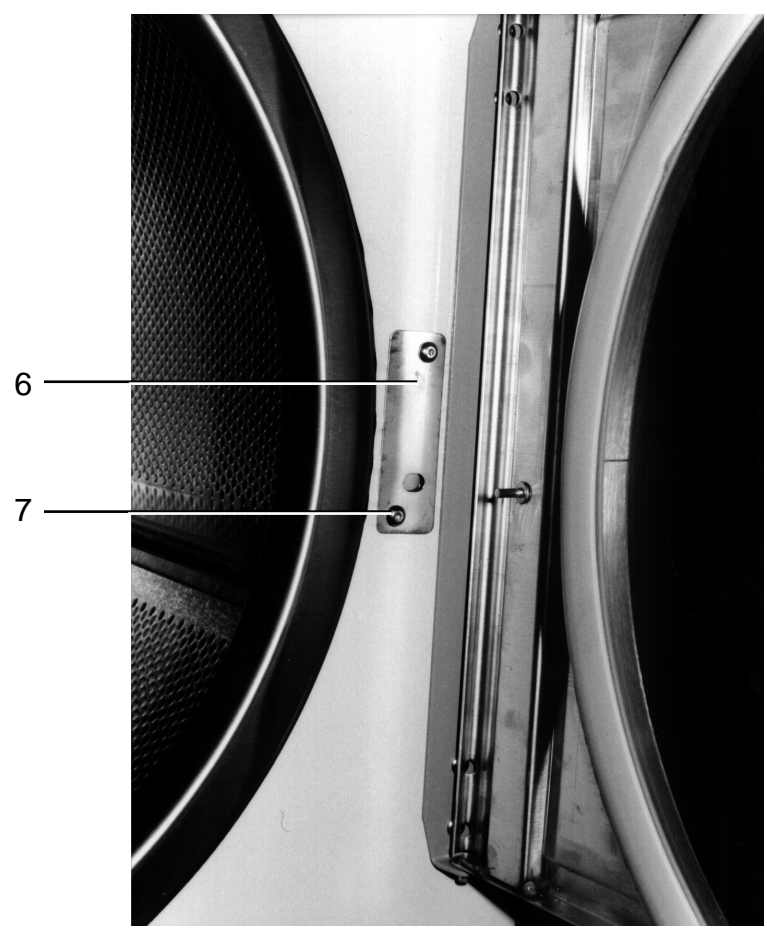
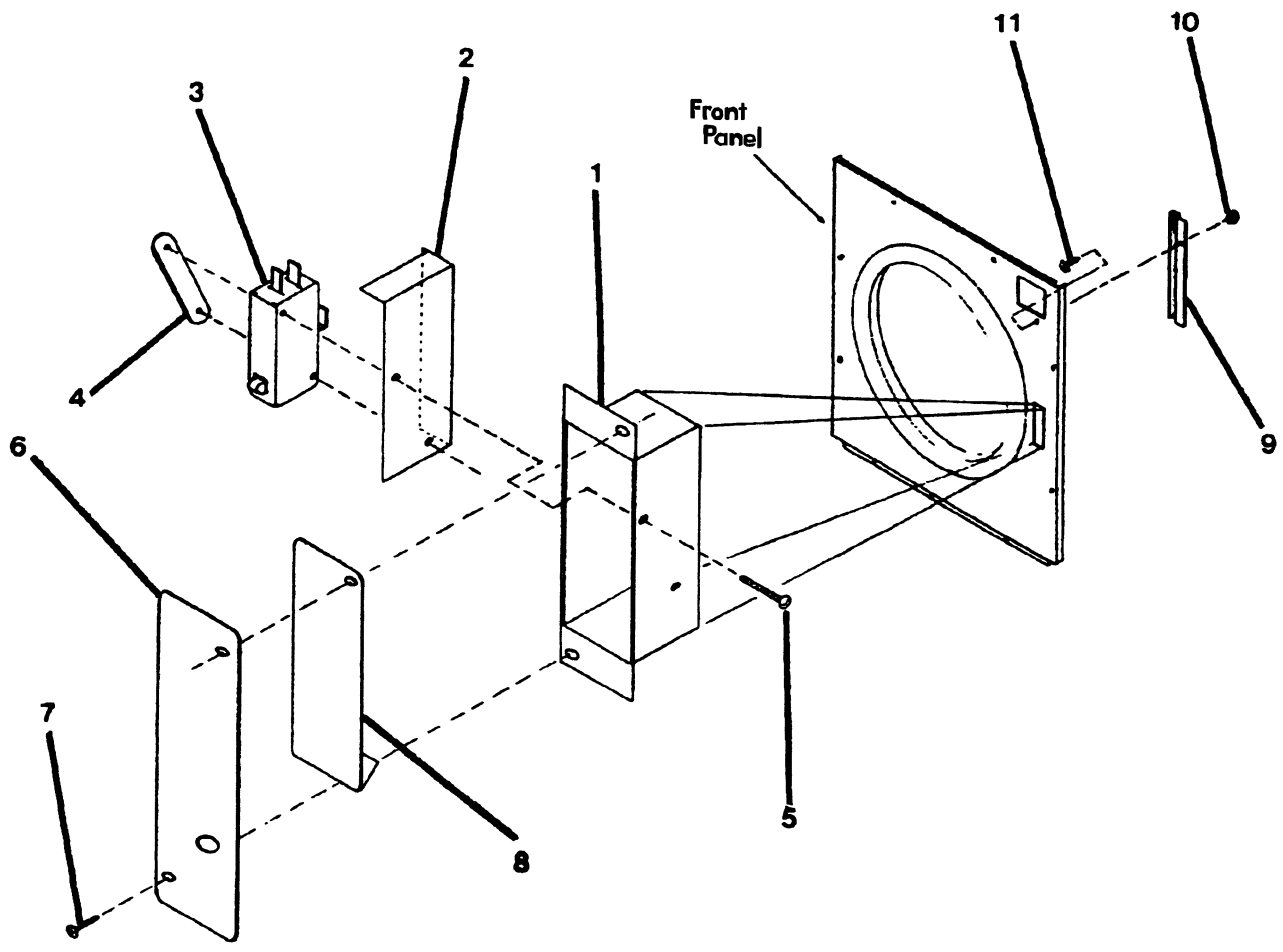
\* Not Illustrated



# DOOR SWITCH GROUP

Key	Part Number	Description	
1	9041-076-001	Box, Door Switch.....	1
2	9550-159-001	Shield, Door Switch.....	1
3	9539-461-001	Switch, Door.....	1
4	8640-401-001	Nut, Special Twin.....	1
5	9545-020-001	Screw, Pn Hd Sl.#4-40 x $\frac{5}{8}$ .....	2
6	9074-255-001	Cover, Switch Box.....	1
7	9545-008-020	Screw, Box Cover.....	2
8	9008-004-001	Actuator, Switch- Lower.....	1
9	6068-041-001	Conduit.....	1
10	9545-012-003	Screw.....	2
*	8641-436-000	Washer, Fiber.....	1
11	8640-413-004	Nut, Elastic Stop.....	2

\* Not Illustrated

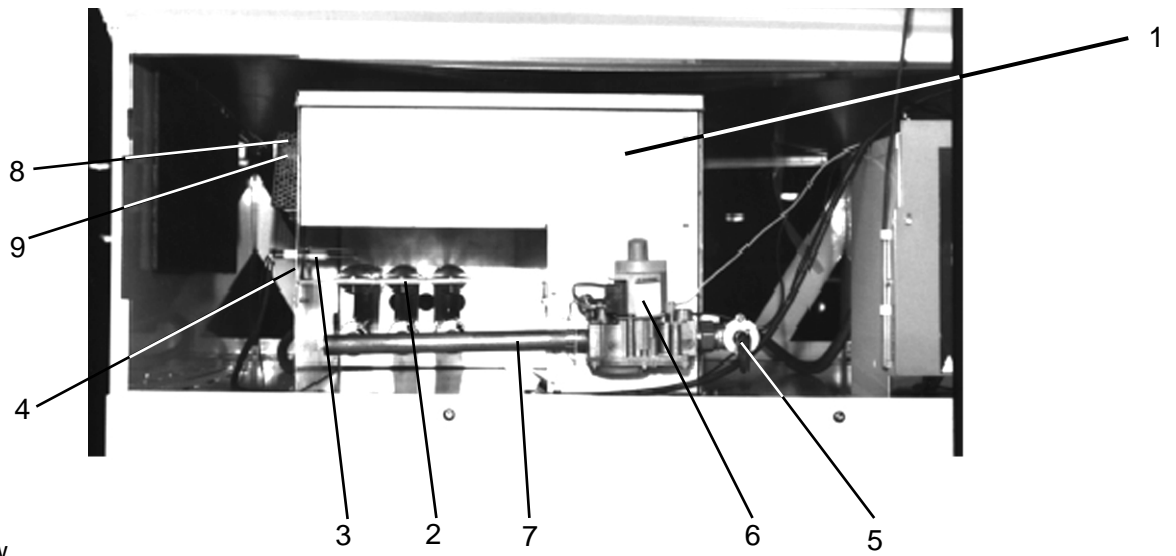


# BURNER HOUSING GROUP

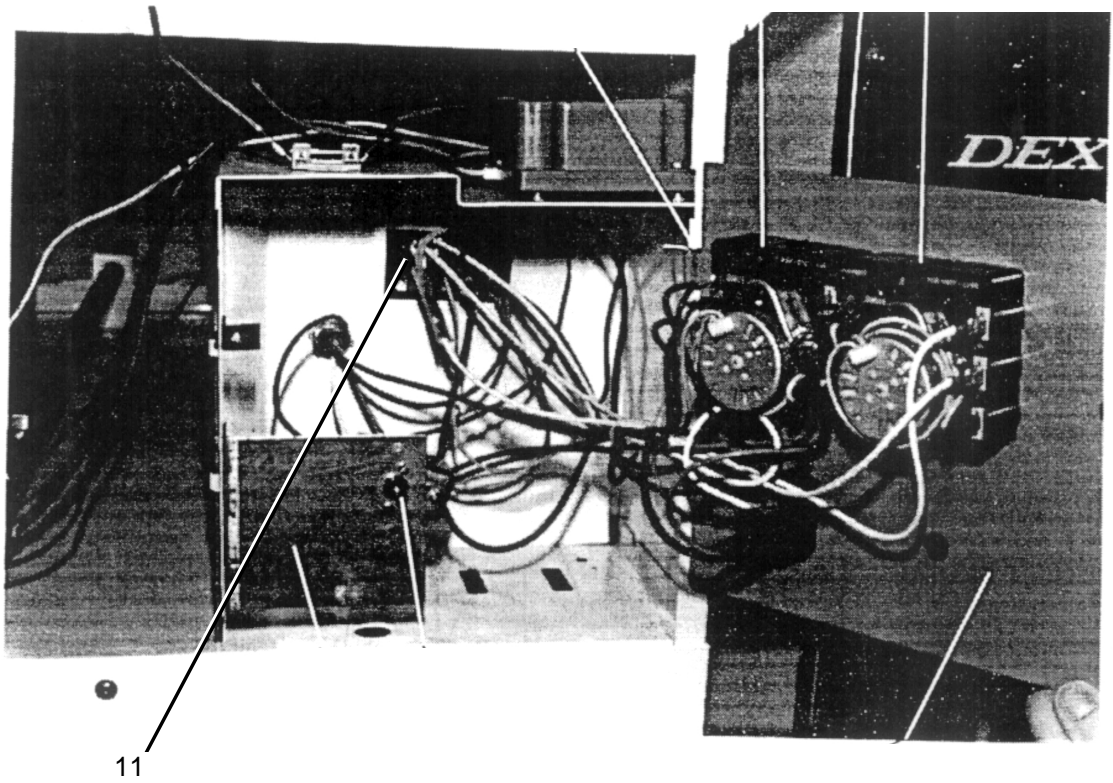
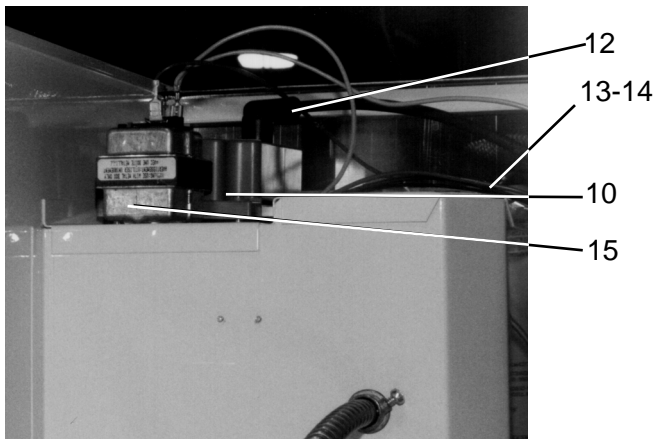
Key	Part Number	Description	
1	9803-163-003	Housing Assembly, Burner.....	1
*	9545-008-024	Screw.....	4
*	9548-256-001	Support, Burner Support.....	1
*	9545-045-001	Screw.....	2
2	9048-018-001	Burner, Main.....	2
*	9545-045-001	Screw.....	4
3	9875-002-002	Electrode, Ignition.....	1
4	9985-161-001	Bracket, Electrode Mtg.....	1
*	9545-045-001	Screw, Electrode Mtg.....	2
5	9379-164-001	Valve, Gas Shut Off.....	1
*	9458-020-003	Pipe, Gas Line.....	1
6	9857-134-001	Control Assy, Gas.....	1
7	9381-009-001	Manifold, Assy.....	1
*	9425-069-015	Orifice, Burner-Natural.....	2
*	9425-069-016	Orifice, Burner-LP.....	2
8	9576-203-002	Thermostat, Hi-Limit.....	1
*	9538-142-001	Spacer, Hi-Limit.....	2
*	9545-045-007	Screw.....	2
9	9074-234-001	Cover, Hi-Limit Stat.....	1
*	9545-008-024	Screw.....	1
10	9857-116-002	Control, Ignition.....	1
*	9545-044-002	Screw.....	2
*	8640-411-003	Nut, Hex-Keps.....	2
11	9897-026-001	Terminal Block.....	1
*	9545-031-004	Screw.....	2
12	9631-403-003	Wire Ass'y, High Voltage.....	1
*	9627-711-001	Harness, Low Voltage Ignition.....	1
13	9054-045-001	Fuseholder.....	1
14	8636-018-001	Fuse.....	1
15	8711-002-001	Transformer, Control.....	1
*	9545-008-026	Screw, #10 x $\frac{3}{8}$ .....	2
*	9732-102-005	Kit, LP Conversion.....	1

\* Not Illustrated





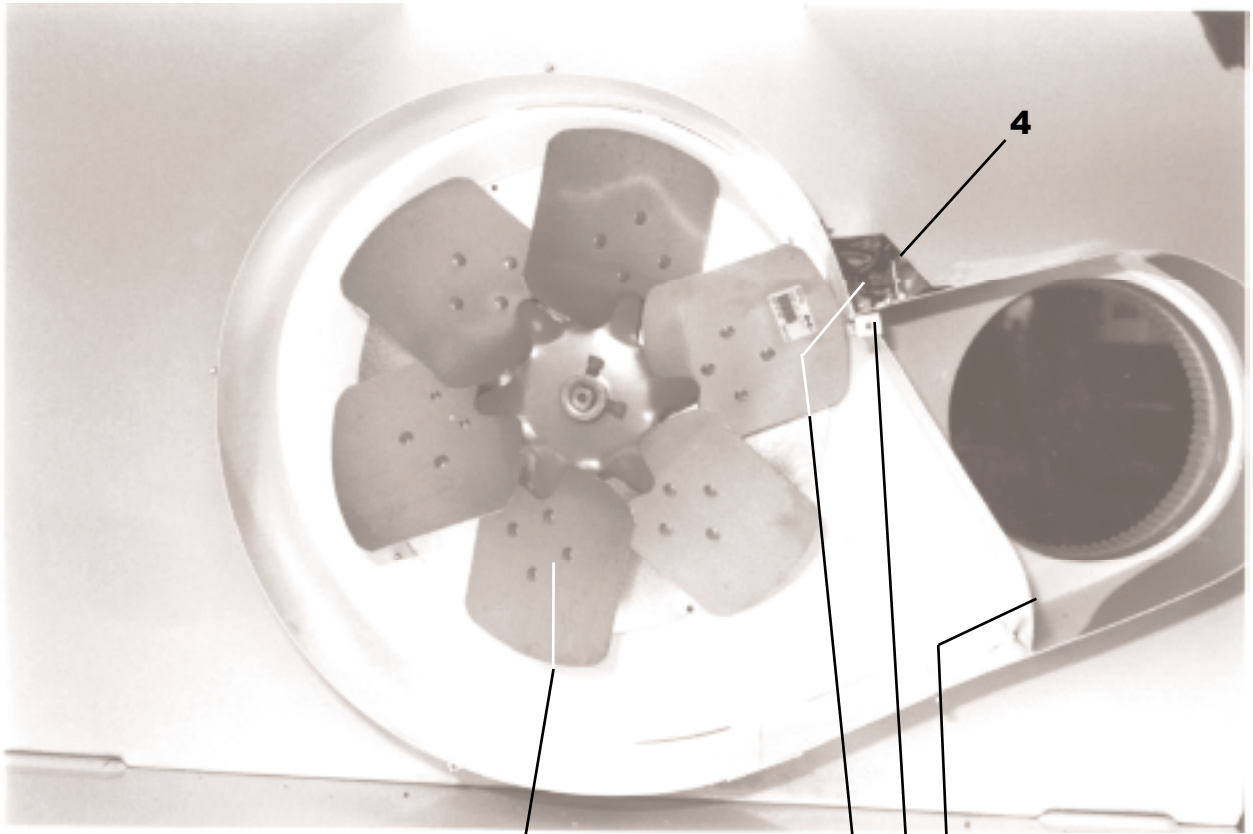
Rear View



# DAMPER SWITCH, LINT HOOD & BLOWER IMPELLER GROUP

## STYLE NO.1 (pre-1998)

Key	Part Number	Description	
1	9539-432-001	Switch, Damper.....	1
*	9545-044-002	Screw, Hx #6-32x1.....	1
*	8640-411-003	Nut, Hex #8-32.....	1
*	9545-044-002	Screw, Hx 6-32x1.....	2
*	8640-420-001	Nut, Speed Tandem.....	1
2	9125-001-001	Damper.....	1
3	9451-146-001	Pin, Damper Hinge.....	1
4	9074-242-002	Cover, Damper Switch.....	1
*	9209-037-002	Grommet.....	1
5	9834-008-002	Hood Ass'y, Lint.....	1
6	8640-412-004	Nut, Whizlock.....	6
*	9822-031-001	Lint Screen 21"x36" (old style).....	1
7	9576-207-006	Thermostat, Safety.....	1
*	9545-008-001	Screw, Hx. #10 x 1/4.....	2
8	9539-461-001	Switch, Lower Door.....	1
9	9029-092-001	Bracket, Lower Door Switch.....	1
*	9545-008-024	Screw.....	2
10	9278-038-004	Impeller, w/set screws.....	1
* Not Illustrated			
*	9345-836-003	Schematic Wiring.....	1
*	9345-837-003	Diagram Wiring.....	1

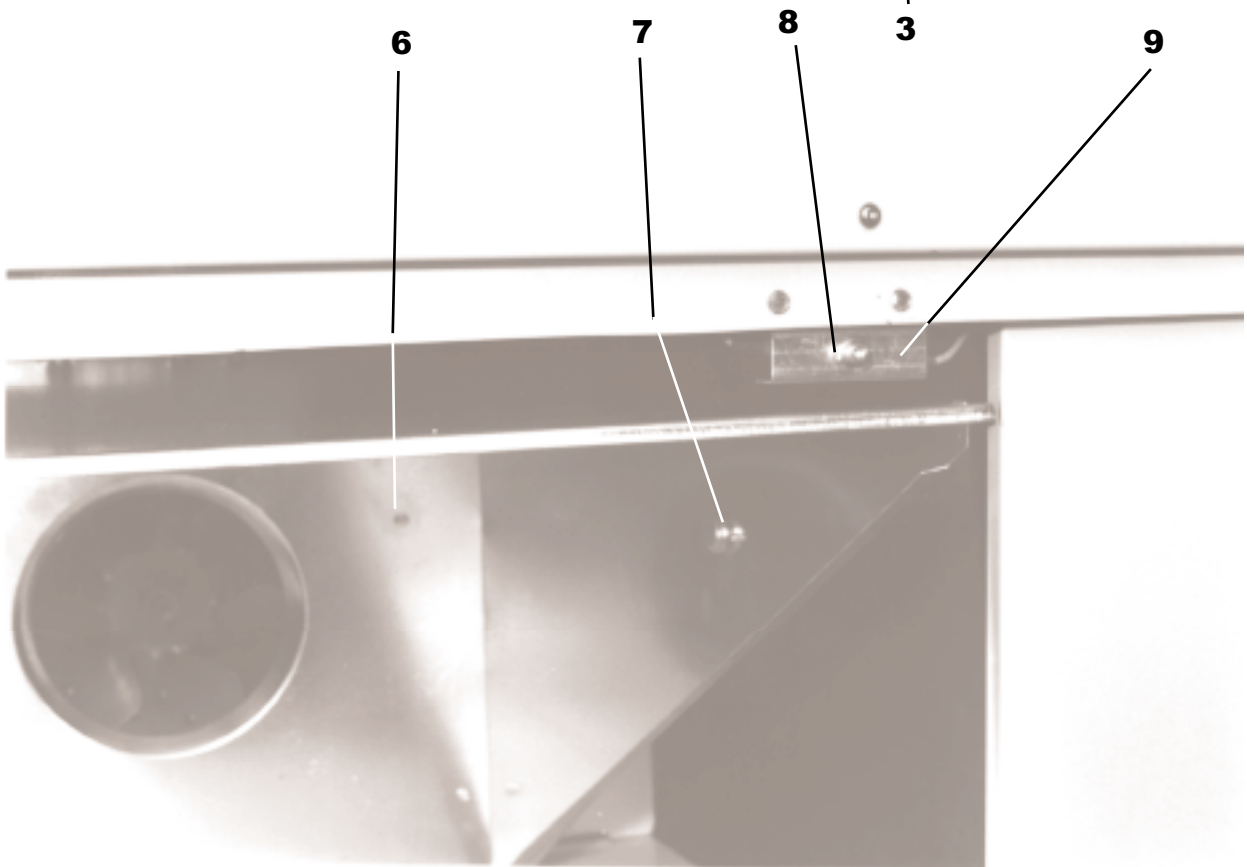


10

1

2

4



6

7

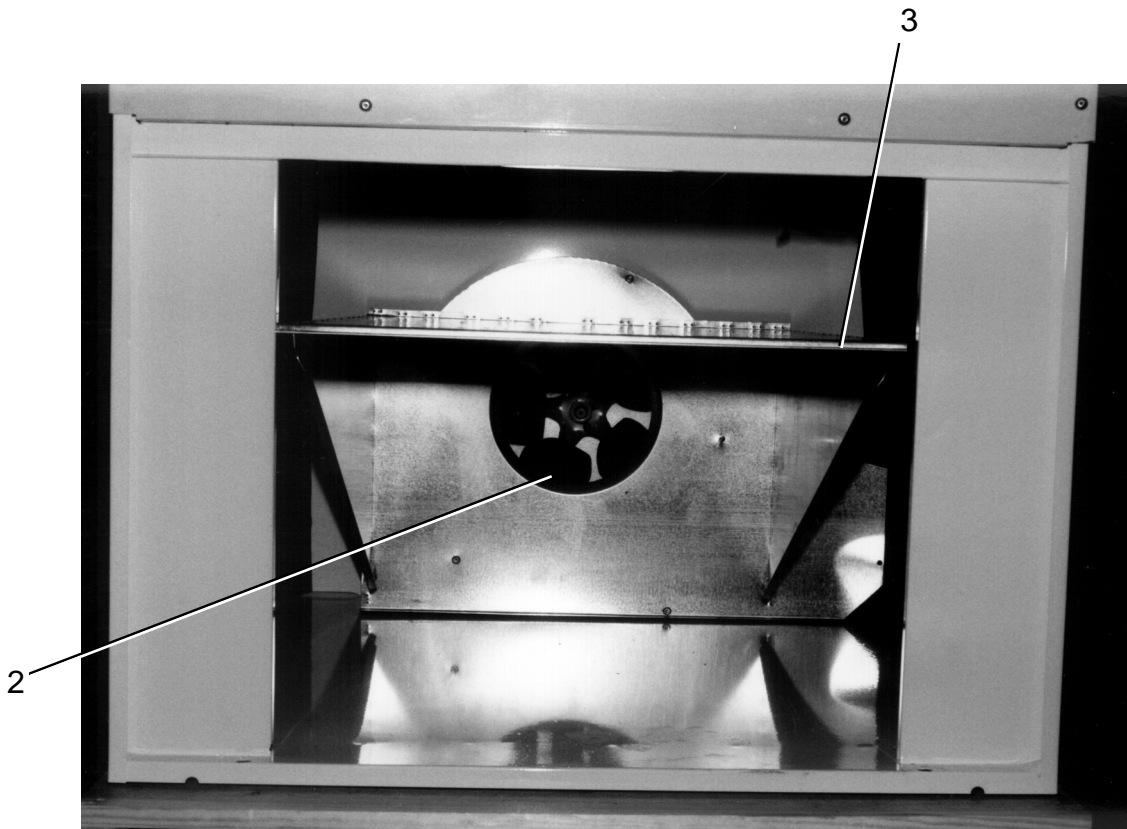
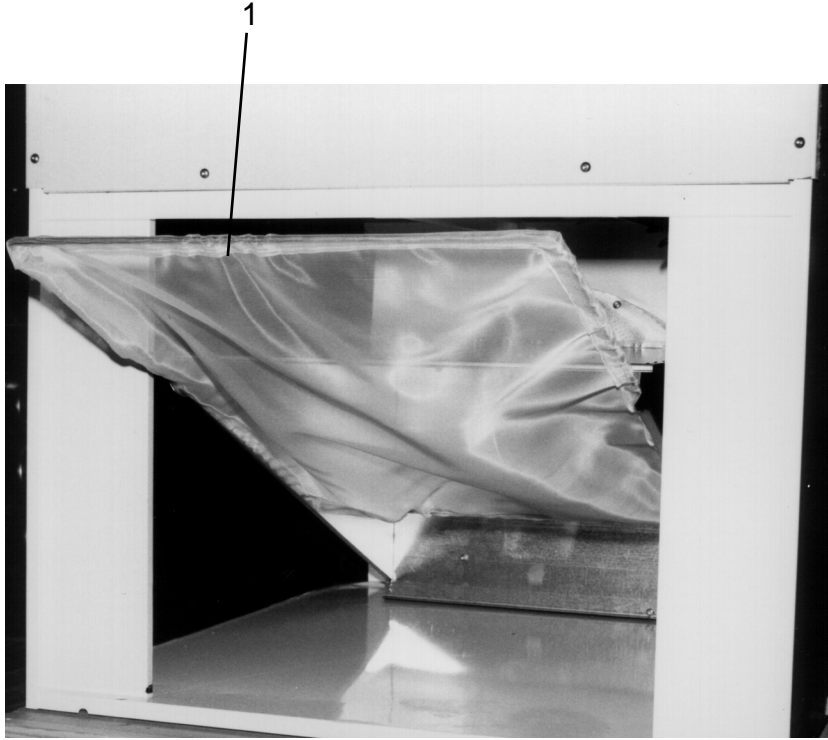
8

3

9

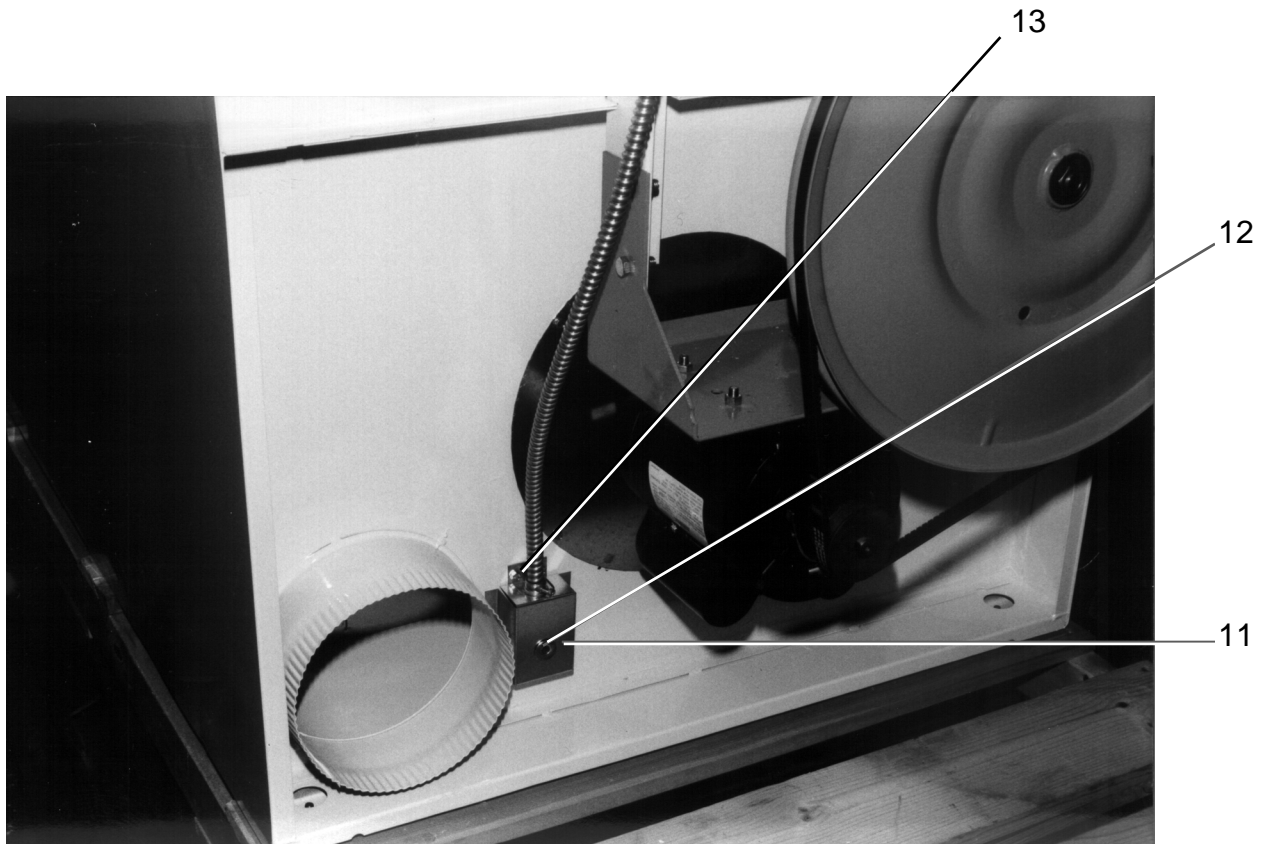
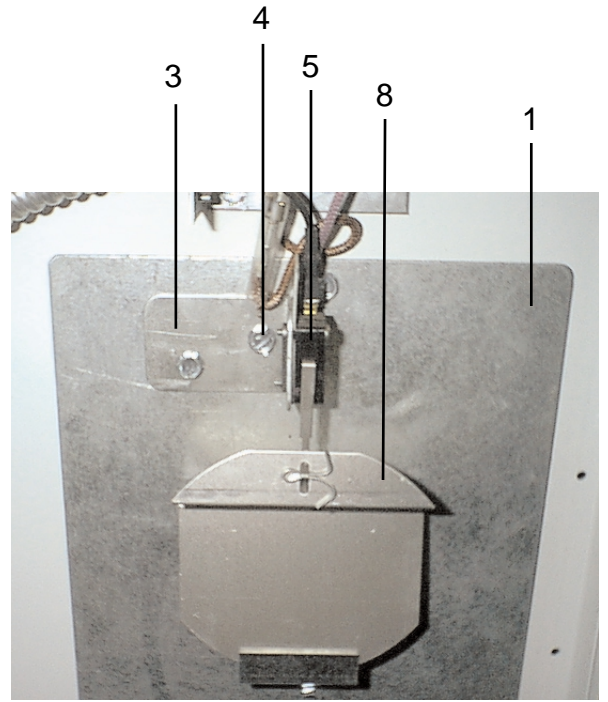
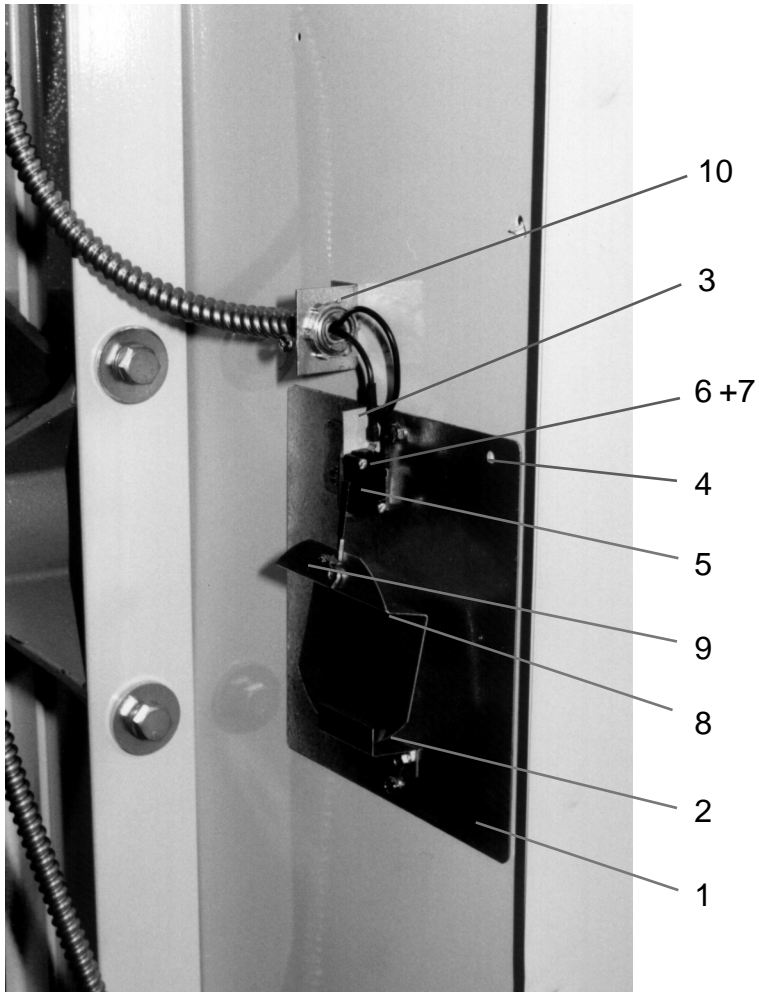
**BLOWER IMPELLER [front]  
&  
LINT HOOD ASS'Y STYLE NO.2  
(in use since 1998)**

KEY	PART NUMBER	DESCRIPTION	QTY.
1	9822-031-002	Lint Screen Ass'y 21"x34".....	1
2	9278-038-004	Impeller.....	1
3	9834-010-001	Hood assembly Lint.....	1
*	9345-836-004	Schematic Wiring.....	1
*	9345-837-004	Diagram Wiring.....	1



# BLOWER IMPELLER AND AIR FLOW SWITCH GROUP OVER TEMPERATURE SWITCH STYLE NO.2 (used after 1998)

KEY	PART NUMBER	DESCRIPTION	QTY.
1	9074-283-001	Cover Plate	1
2	9029-046-001	Actuator Stop	1
3	9029-100-001	Bracket -Switch	1
4	9545-008-001	Screw-10B x ¼	4
5	9539-461-009	Switch-Micro	1
6	9545-020-001	Screw 4-40 x 5/8	2
7	8640-401-001	Nut Twin	1
8	9008-007-001	Actuator-Switch	1
9	9451-169-002	Pin Cotter	1
10	9039-575-000	Bracket Conduit	1
11	9825-057-002	Over-temp cover ass'y	1
12	9576-207-006	Thermostat Over-temp Manual Reset (Manually Resettable)	1
13	9545-008-001	Screw 10B x ¼	2
*	9486-137-001	Retainer; pushon	1
*	9535-050-003	Sleeve-Hi-Limit switch access	1

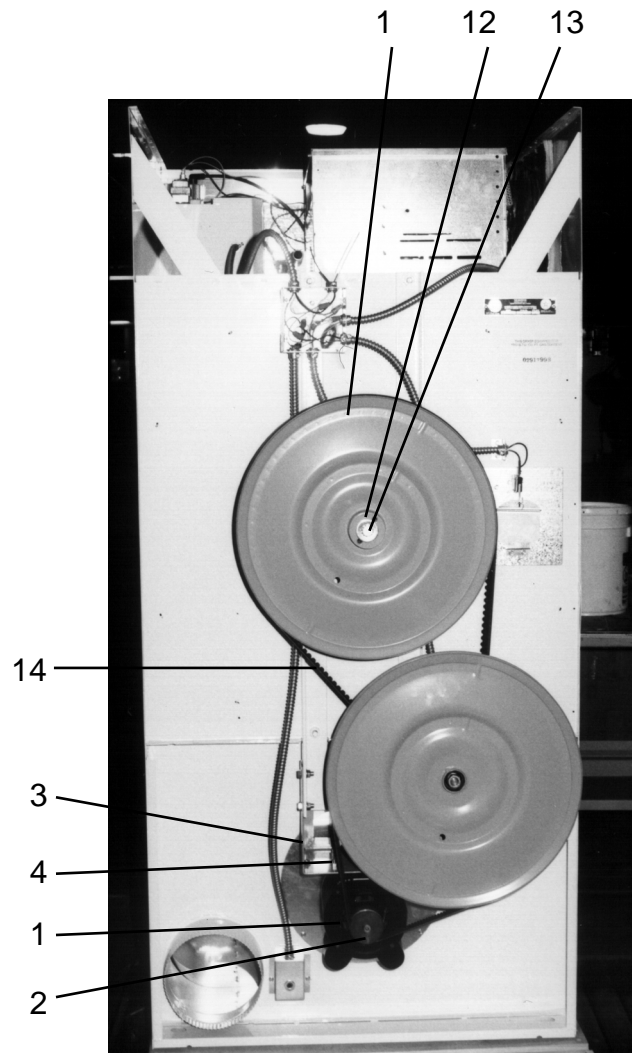
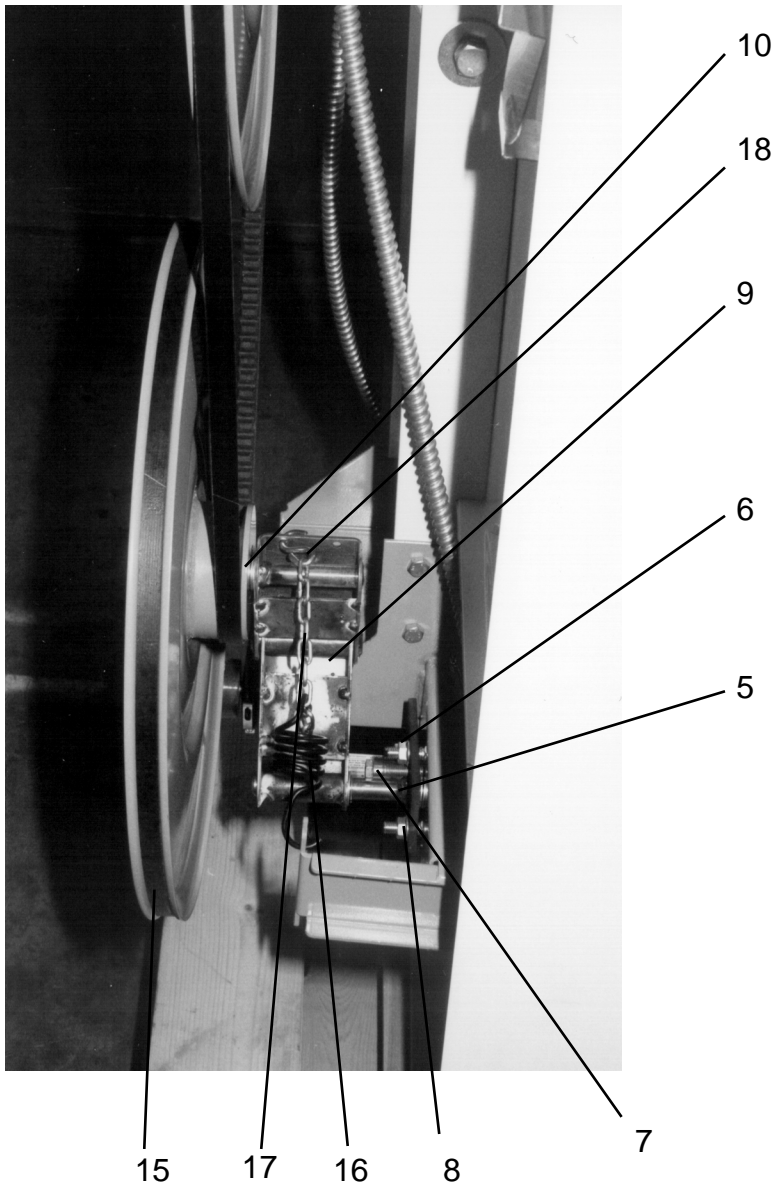


# DRIVE GROUP

Key	Part Number	Description	
1	9376-300-001	Motor, Drive.....	1
*	9545-014-004	Screw, Hx 5/16.....	4
*	8640-400-003	Nut.....	4
2	9453-169-010	Pulley, Motor.....	1
*	9545-028-013	Screw, Set.....	2
3	9991-054-004	Support Ass'y, Motor.....	1
4	9545-014-004	Screw.....	4
4	8640-419-003	Nut.....	4
*	9278-038-004	Impeller.....	1
*	9074-277-001	Cover, Impeller.....	1
*	9545-008-001	Screw, Hx #10 x 1/4.....	4
5	9991-053-001	Support Ass'y, Intermed. Pulley.....	1
6	9545-029-010	Bolt, Rd Hd.....	3
7	9545-029-003	Screw.....	1
8	8640-tl 5-004	Nut.....	3
*	8641-581-035	Washer, Flat.....	4
*	9861-024-003	Arm Ass'y-Tension Complete from Serial Number #12816 .....	1
9	9861-024-001	Arm Ass'y-Tension, Complete.....	1
*	8641-581-035	Washer, Flat .....	6
*	9487-200-003	Ring-Retaining.....	2
*	9908-042-006	Pulley Ass'y Intermediate Use After Serial Number #124816.....	1
10	9732-165-001	Pulley Ass'y, Intermediate Kit Complete w/ Tension Arm.....	1
*	9036-159-007	Bearing, Ball-Idler Pulley.....	2
*	9538-173-001	Spacer, Bearing.....	1
*	8641-581-035	Washer, Flat.....	6
*	9487-200-003	Ring, Retaining.....	2
11	9908-043-002	Pulley Driven.....	1
*	9487-234-001	Ring, Tolerance.....	1
12	8641-581-026	Washer, Flat.....	1
*	8641-582-016	Lockwasher.....	1
13	9545-017-009	Screw, Hx Cap.....	1
14	9040-077-005	Belt, Final Drive.....	1
15	9040-077-003	Belt, Motor Drive.....	1
16	9534-151-000	Spring, Belt Tension.....	1
17	9099-012-002	Chain, Spring Tension.....	1
18	9248-022-001	Hook, Tension.....	1
*	9208-051-001	Guard, Drive.....	1
*	9454-692-001	Panel, Drive Guard, RH.....	1
*	9454-693-001	Panel, Drive Guard, LH.....	1
*	9550-175-001	Shield, Motor.....	1
*	9545-008-003	Screw.....	2
*	9545-008-024	Screw.....	32

\* Not Illustrated

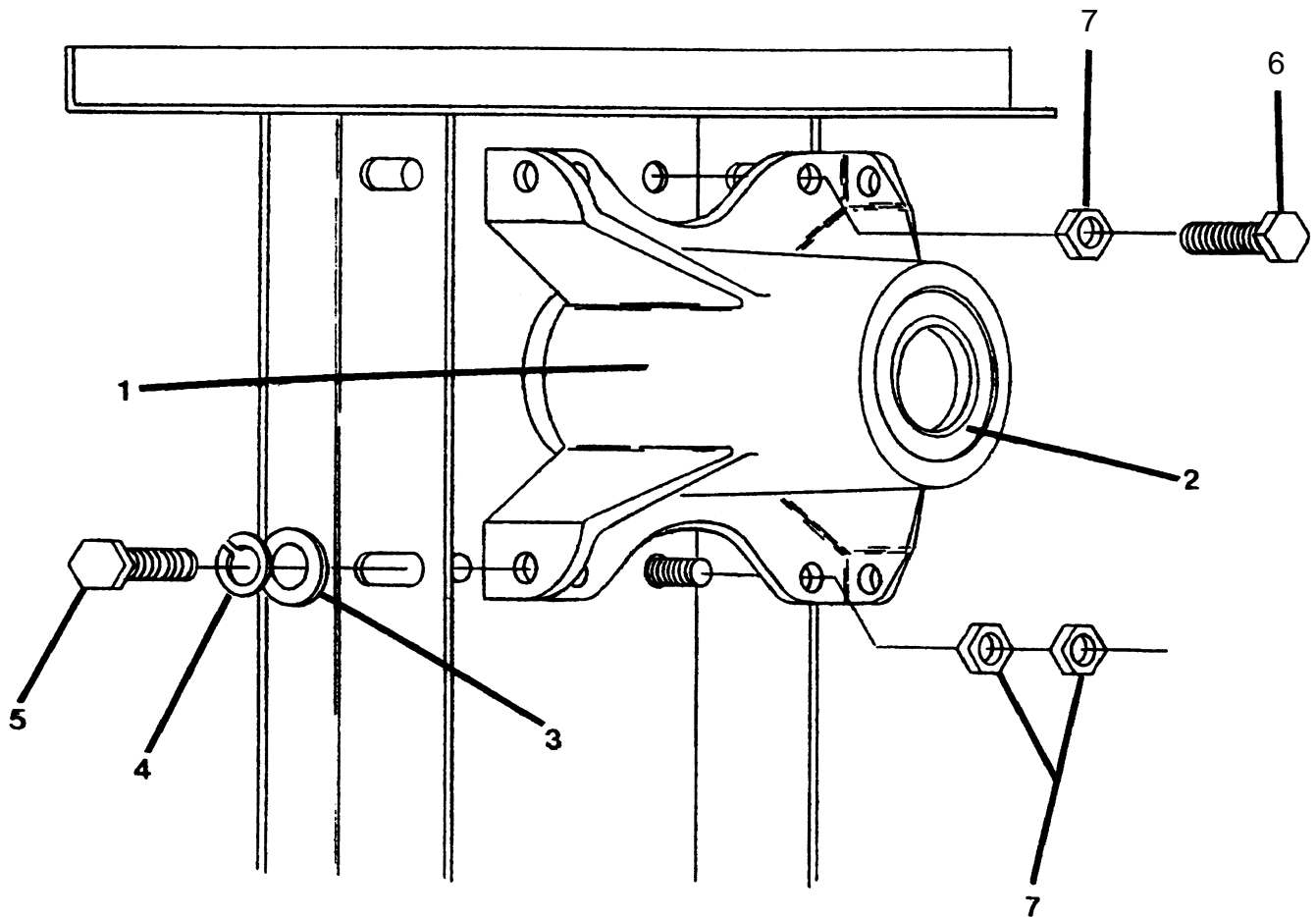




# BEARING HOUSING GROUP

Key	Part Number	Description	
*	9803-189-001	Housing, Bearing Ass'y (includes #1 and #2).....	1
1	9241-183-003	Housing, Bearing.....	1
2	9036-159-001	Bearing, Ball-Rear.....	1
*	9036-159-002	Bearing, Ball-Front Sold on Spider.....	1
3	8641-581-026	Washer, Flat.....	4
4	8641-582-004	Lockwasher.....	4
5	9545-017-004	Bolt, 1/2-13x1.....	4
6	9545-059-003	Screw, 7 1/16 -14x1 1/2.....	2
*	8641-582-013	Lockwasher, 7 1/16.....	2
7	8640-416-001	Nut, 7/16 - 14.....	4

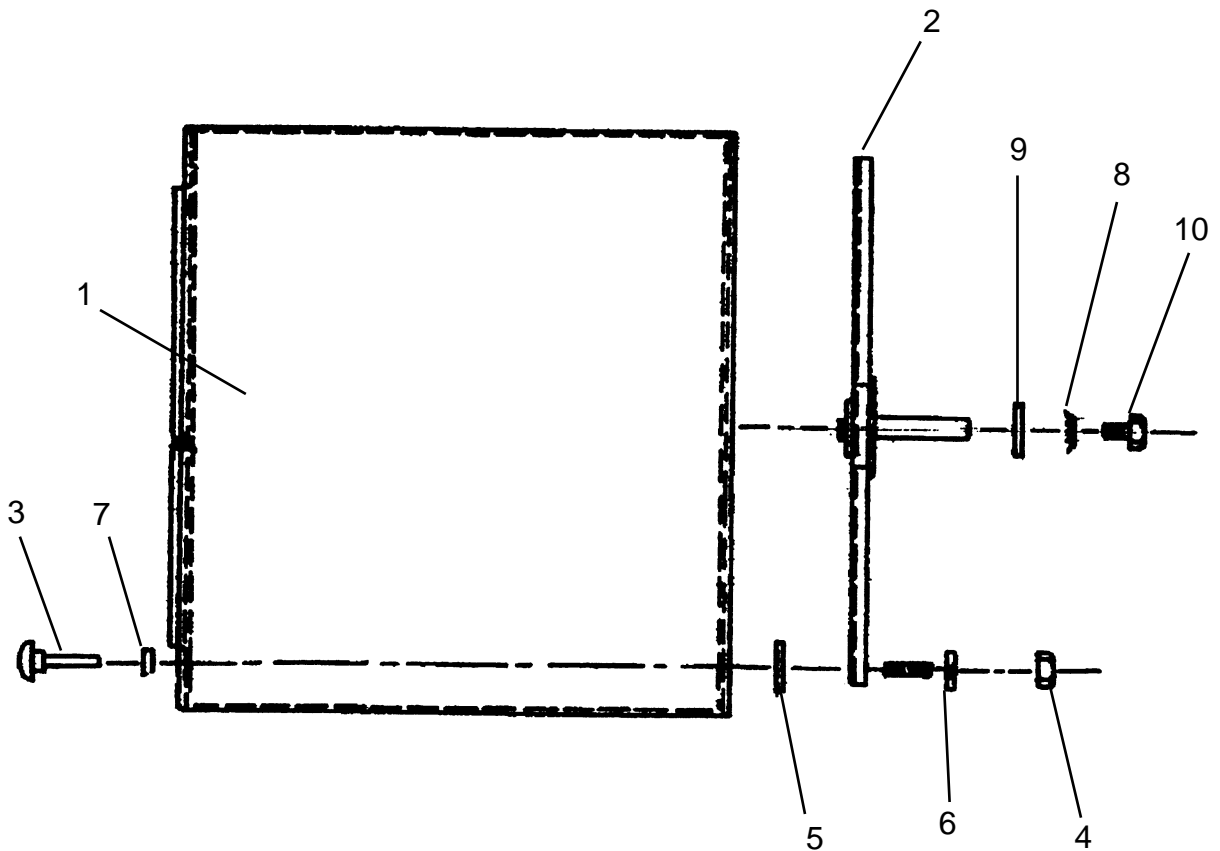
\* Not Illustrated



# TUMBLER GROUP

Key	Part Number	Description
1	9848-119-001	Tumbler Ass'y..... 1
2	9873-005-001	Spider Ass'y w/ bearing on..... 1
3	9497-226-001	Rod, Tumbler..... 4
4	8640-417-002	Nut..... 4
5	9552-013-000	Shim..... 4
6	8641-582-004	Washer, Spring Lock..... 4
7.	8641-587-001	Washer, Tumbler Rod Special..... 4
*	9487-234-001	Ring, Tolerance..... 1
8	8641-582-016	Lock Washer, Tumbler Shaft..... 1
9	8641-581-026	Flat Washer, Tumbler Shaft..... 1
10	9545-017-009	Screw, Tumbler Shaft..... 1

\* Not Illustrated



# Section 7

## DRYER PREVENTIVE MAINTENANCE (PM) REQUIREMENTS

MAKE SURE ALL POWER IS DISCONNECTED BEFORE MAKING CHECKS INSIDE MACHINE.

### DAILY

1. **Clean lint screen using a soft brush if necessary. Check lint screen for rips or tears and replace as necessary**

### MONTHLY

1. **Clean lint from motor end bells and dryer controls area.**
2. **Clean lint from lint screen compartment.**
3. **Clean lint accumulation from top and all areas above, around and below burners and burner housing.**

Failure to keep this section of dryer free from lint can create a fire hazard.

### SEMI-ANNUALLY

1. **Check V-belts for cracks, wear, fraying, or looseness.**
2. **Inspect all fasteners (screws, bolts, nuts, etc) and tighten any that are loose.**
3. **Clean all lint accumulation from inside of front panel.**
4. **Place a few drops of light oil on top and bottom pivots of the door hinge.**
5. **Inspect door glass gasket for excessive wear.**
6. **Clean lint accumulation from primary air ports in burners.**
7. **Check intermediate drive pulley bushings for excessive wear.**

### ANNUALLY

1. **Remove, inspect and clean main burner orifices of obstructions or dirt .**
  2. **Grease intermediate drive pulley bearing at zirk grease fitting.**
  3. **Inspect and remove any lint accumulation in the exhaust ducts. Inspect all ducting from the dryer exhaust connection to the exit wall or roof .**
  4. **Check tumbler shaft retaining nut for 125 Ft. pound torque \* .**

\* PLEASE NOTE THAT WE HAVE EXTENDED THE TIME BETWEEN CHECKS AFTER SERIAL NUMBER #149253 AND WHEN YOUR NEXT QUARTERLY SCHEDULED PM CHECK IS DUE YOU MAY INSTALL LOCKTITE #271 ACROSS THE THREADS AND TIGHTEN TO 150 FT. LB. AND THIS WILL THEN EXTEND YOUR NEXT PM CHECK TIME TO ANNUALLY.