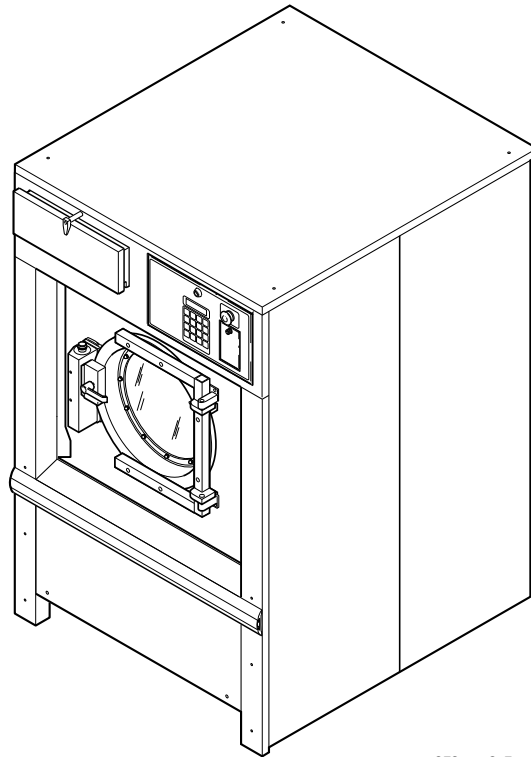


# Washer-Extractor

Cabinet Freestanding  
Refer to Page 3 for Model Numbers



CFS1465C\_F230509



# Table of Contents

Title	Page
Parts Ordering Information.....	2
Serial Plate Location .....	2
Model Identification .....	3
Decals .....	4
Front Panels.....	6
Side, Rear and Top Panels .....	8
Basket, Pulley, Belt and Trunnion (Drawing 1 of 2) .....	10
Basket, Pulley, Belt and Trunnion (Drawing 2 of 2) .....	12
Shell and Motor .....	14
Drive Box - Models BF35PV, BF50PV, SF35PV, SF50PV, UF35PV and UF50PV (Drawing 1 of 6) .....	16
Drive Box - Models BF35PV, BF50PV, SF35PV, SF50PV, UF35PV and UF50PV (Drawing 2 of 6) .....	18
Drive Box - Models BF35PV, BF50PV, SF35PV, SF50PV, UF35PV and UF50PV (Drawing 3 of 6) .....	20
Drive Box - Models BF35PV, BF50PV, SF35PV, SF50PV, UF35PV and UF50PV (Drawing 4 of 6) .....	22
Drive Box - Models BF35PV, BF50PV, SF35PV, SF50PV, UF35PV and UF50PV (Drawing 5 of 6) .....	24
Drive Box - Models BF35PV, BF50PV, SF35PV, SF50PV, UF35PV and UF50PV (Drawing 6 of 6) .....	26
Drive Box - Models BF85PV, SF85PV and UF85PV .....	28
Drive Box Cover - Models BF35PV, BF50PV, SF35PV, SF50PV, UF35PV and UF50PV .....	30
Drive Box Cover - Models BF85PV, SF85PV and UF85PV .....	32
Supply Dispenser .....	34
Fill and Supply System - Models BF35PV, BF50PV, SF35PV, SF50PV, UF35PV and UF50PV .....	36
Fill and Supply System - Models BF85PV, SF85PV and UF85PV .....	38
Hoses and Drain System .....	40
Door Assembly - Models BF35PV, SF35PV and UF35PV.....	42
Door Assembly - Models BF50PV, SF50PV and UF50PV.....	44
Door Assembly - Models BF85PV, SF85PV and UF85PV.....	46
Door Lock.....	48
Control Module Front .....	50
Control Module.....	52
Suspension System - Models BF35PV, SF35PV and UF35PV .....	54
Suspension System - Models BF50PV, SF50PV and UF50PV .....	56
Suspension System - Models BF85PV, SF85PV and UF85PV .....	58
Steam Heat Option .....	60
Electric Heat Option .....	62
Special Tools .....	64
Motor Manufacturer's Part Number on the Motor's Nameplate.....	66
Parts Index.....	69

© Copyright 2017, Alliance Laundry Systems LLC

All rights reserved. No part of the contents of this book may be reproduced or transmitted in any form or by any means without the expressed written consent of the publisher.

# Parts Ordering Information

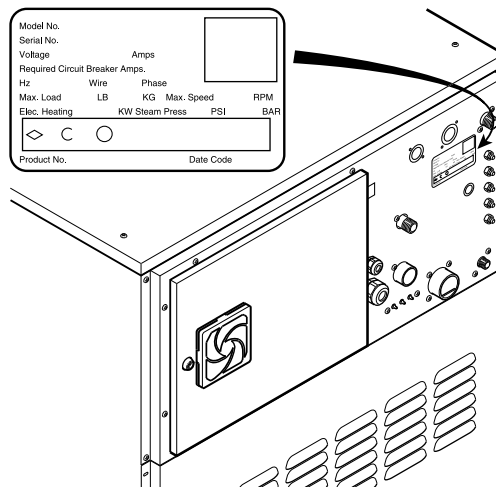
If literature or replacement parts are required, contact the source from whom the machine was purchased or contact Alliance Laundry Systems at (920) 748-3950 for the name and address of the nearest authorized parts distributor.

For technical assistance, call the number listed below:

(920) 748-3121 Ripon, Wisconsin

## Serial Plate Location

When calling or writing about your product, be sure to mention model and serial numbers. Model and serial numbers are located on serial plate(s) as shown.



CFS1931P\_F230509

## Model Identification

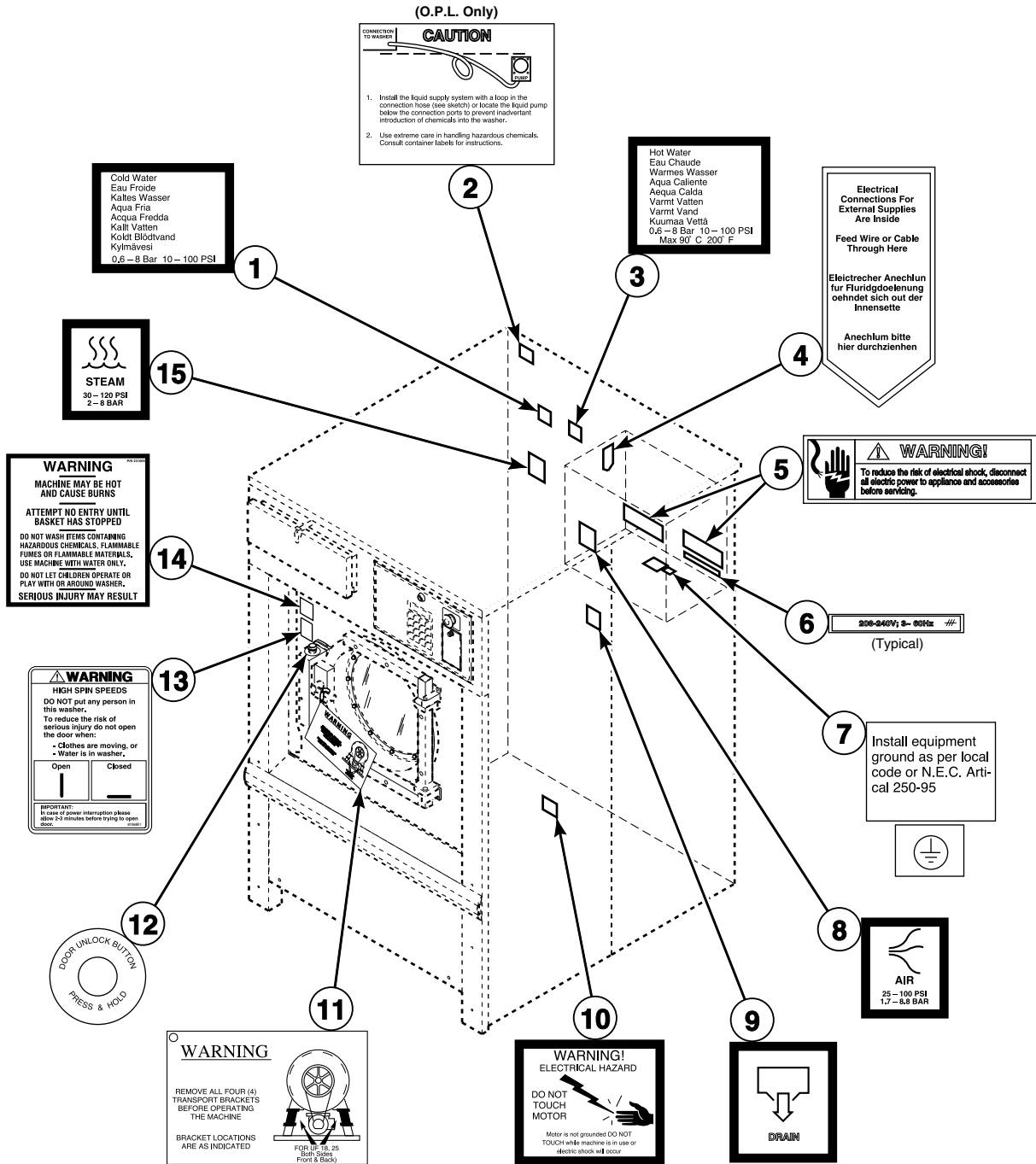
Information in this manual is applicable to these washer-extractor models:

BF35PV  
BF50PV  
BF85PV

SF35PV  
SF50PV  
SF85PV

UF35PV  
UF50PV  
UF85PV

# Decals



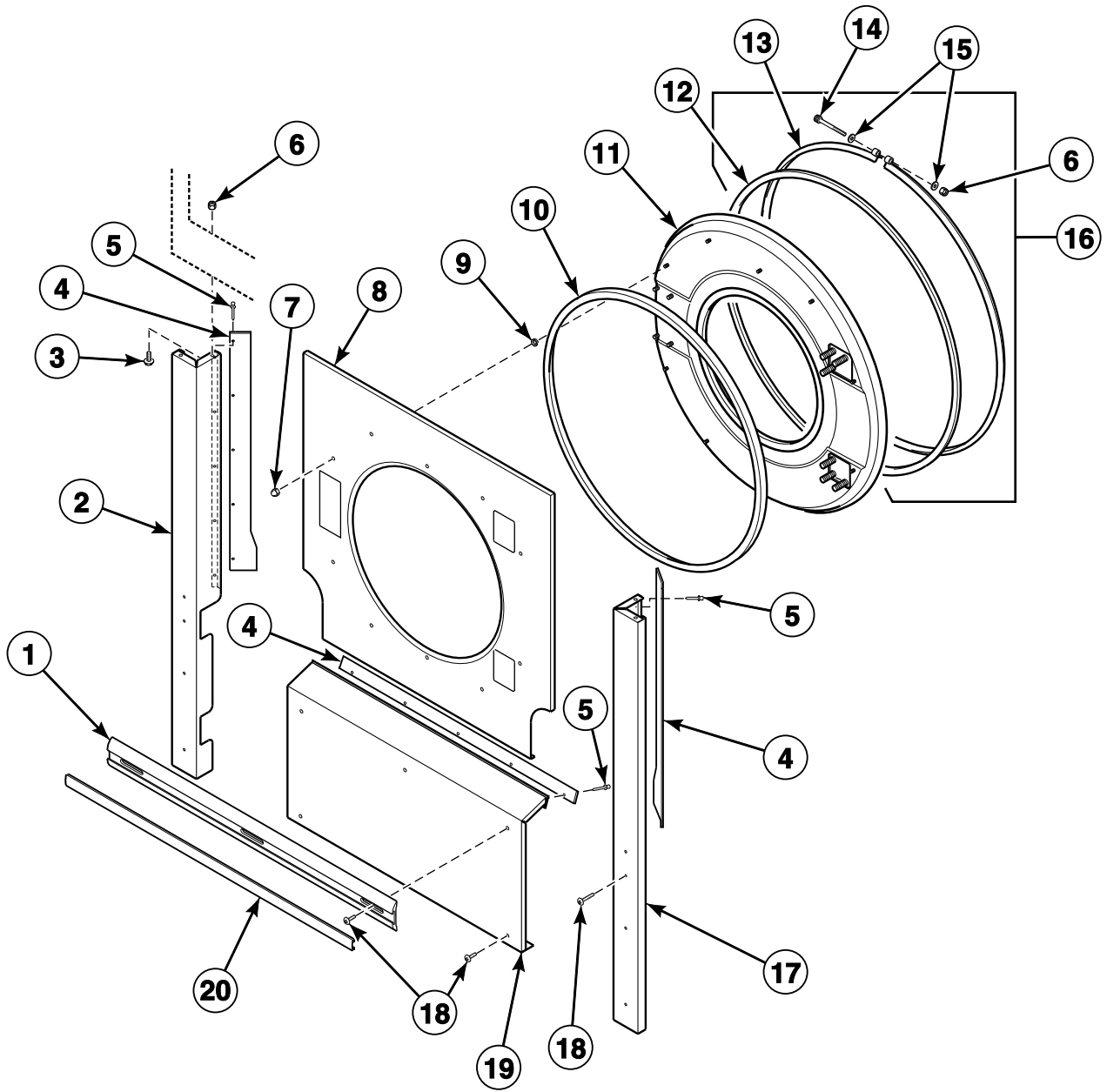
CFS1927P\_F230509

# Decals

REF	PART NO.	DESCRIPTION	COMMENTS
1	F230857	Cold Water Decal	
2	F230877	Liquid Supply Decal	
3	F230856	Hot Water Decal	
4	N/A	Electric Warning Decal	
5	D505281	Disconnect Power Warning Label	
6	N/A	Decal	
7	F230630	Ground Decal	
8	N/A	Air Requirement Decal	
9	F231150	Drain Decal	
10	N/A	Electric Hazard Warning Decal	
11	F230560	Remove Transformer Bracket Warning Tag	
12	F230816	Door Unlock Decal	
13	81968	Door Warning Label	
14	F231065	Personal Injury Warning Decal	
15	F231147	Steam Decal	

N/A = Part no longer available

# Front Panels



CFS 1893P\_F230509

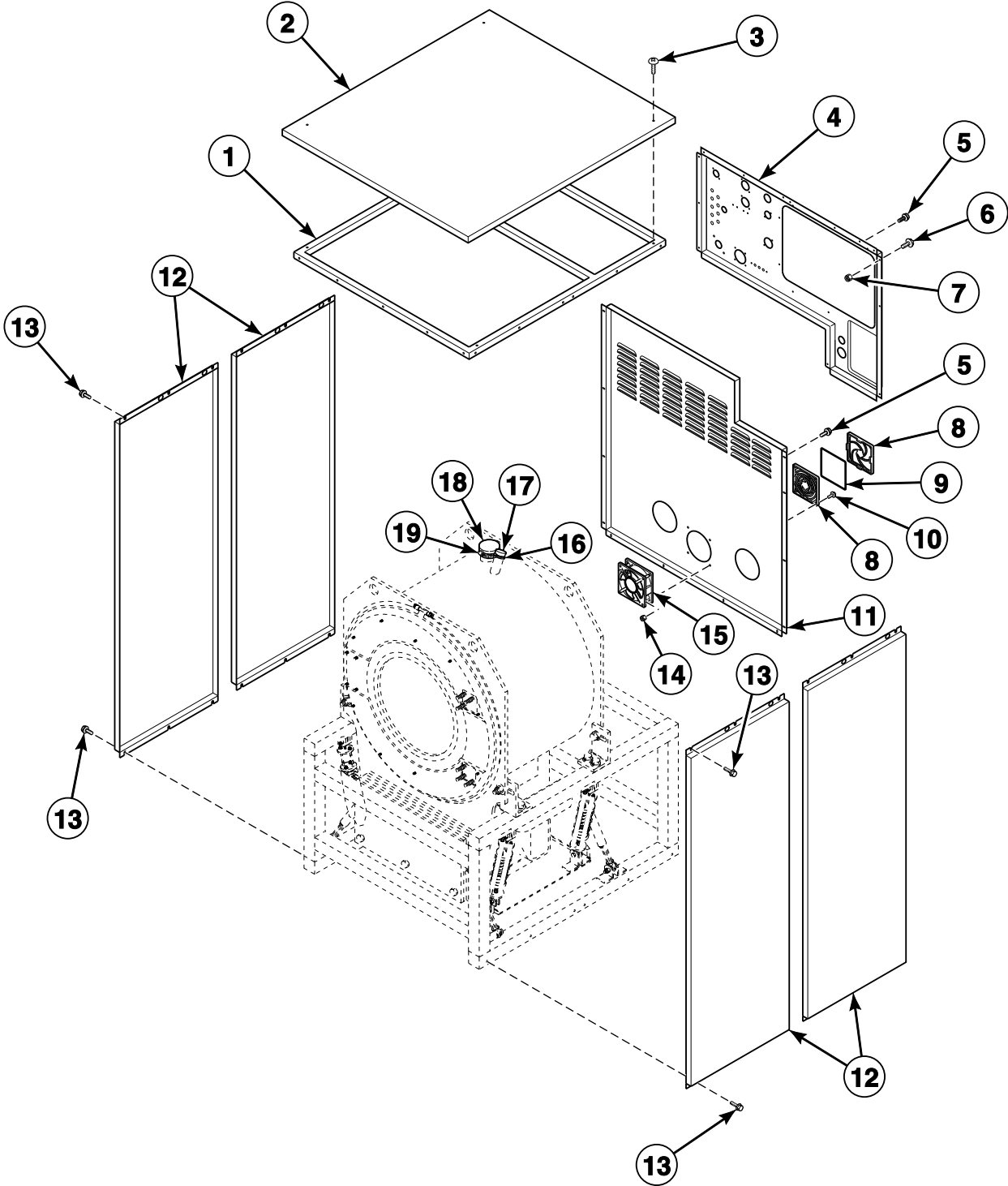


## Front Panels

REF	PART NO.	DESCRIPTION	COMMENTS
1	N/A	Rub Rail	Models BF35PV, SF35PV and UF35PV
	F150405	Rub Rail	Models BF50PV, SF50PV and UF50PV
	F150406	Rub Rail	Models BF85PV, SF85PV and UF85PV
2	F606731	Front Column	Models BF35PV, SF35PV and UF35PV; Left
	F606316	Front Column	Models BF50PV, SF50PV and UF50PV; Left
	F607341	Front Column	Models BF85PV, SF85PV and UF85PV; Left
3	F430925	Screw	
4	F170407	Flat Plastic	Models BF50PV, SF35PV, SF50PV, UF35PV and UF50PV; Order 3 feet
	F170406	Flat Plastic	Models BF85PV, SF85PV and UF85PV; Order 4 feet
5	F432222	Rivet	
6	F430215	Nut	
7	F8549401	Nut	
8	F607036	Shell Front Cover	Models BF35PV, SF35PV and UF35PV
	F606539P	Shell Front Cover	Models BF50PV, SF50PV and UF50PV
	F607386	Shell Front Cover	Models BF85PV, SF85PV and UF85PV
9	F431100	Washer	
10	F170128	Sponge Rubber	Models BF35PV, SF35PV and UF35PV order 7 feet; Models BF50PV, SF50PV and UF50PV order 12 feet; Models BF85PV, SF85PV and UF85PV order 14 feet
11	F633684P	Shell Front Weldment	Models BF35PV, SF35PV and UF35PV
	F631651P	Shell Front Weldment	Models BF50PV, SF50PV and UF50PV
	F631650P	Shell Front Weldment	Models BF85PV, SF85PV and UF85PV
12	F170125P	Shell Band Seal	Models BF35PV, SF35PV and UF35PV require 8 feet; Models BF50PV, SF50PV and UF50PV require 9 feet
	F170120RP	Shell Band Gasket	Models BF85PV, SF85PV and UF85PV require 11 feet
13	N/A	Shell Band Assembly	Models BF35PV, SF35PV and UF35PV
	N/A	Shell Band Assembly	Models BF50PV, SF50PV and UF50PV
	F603910	Shell Band Assembly	Models BF85PV, SF85PV and UF85PV; Top
	F603911	Shell Band Assembly	Models BF85PV, SF85PV and UF85PV; Bottom
14	F430500	Screw	
15	F430317	Washer	
16	F8537803	Shell Band Kit	Models BF35PV, SF35PV and UF35PV; Includes items 6 and 13-15
	F8537804	Shell Band Kit	Models BF50PV, SF50PV and UF50PV; Includes items 6 and 13-15
17	F606730	Front Column	Models BF35PV, SF35PV and UF35PV; Right
	F606315	Front Column	Models BF50PV, SF50PV and UF50PV; Right
	F607342	Front Column	Models BF85PV, SF85PV and UF85PV; Right
18	F430921	Screw	
19	F606732	Front Cover	Models BF35PV, SF35PV and UF35PV; Bottom
	F606317	Front Cover	Models BF50PV, SF50PV and UF50PV; Bottom
	F607338	Front Cover	Models BF85PV, SF85PV and UF85PV; Bottom
20	F150397	Extrusion Insert	Sold per foot

**N/A = Part no longer available**

# Side, Rear and Top Panels



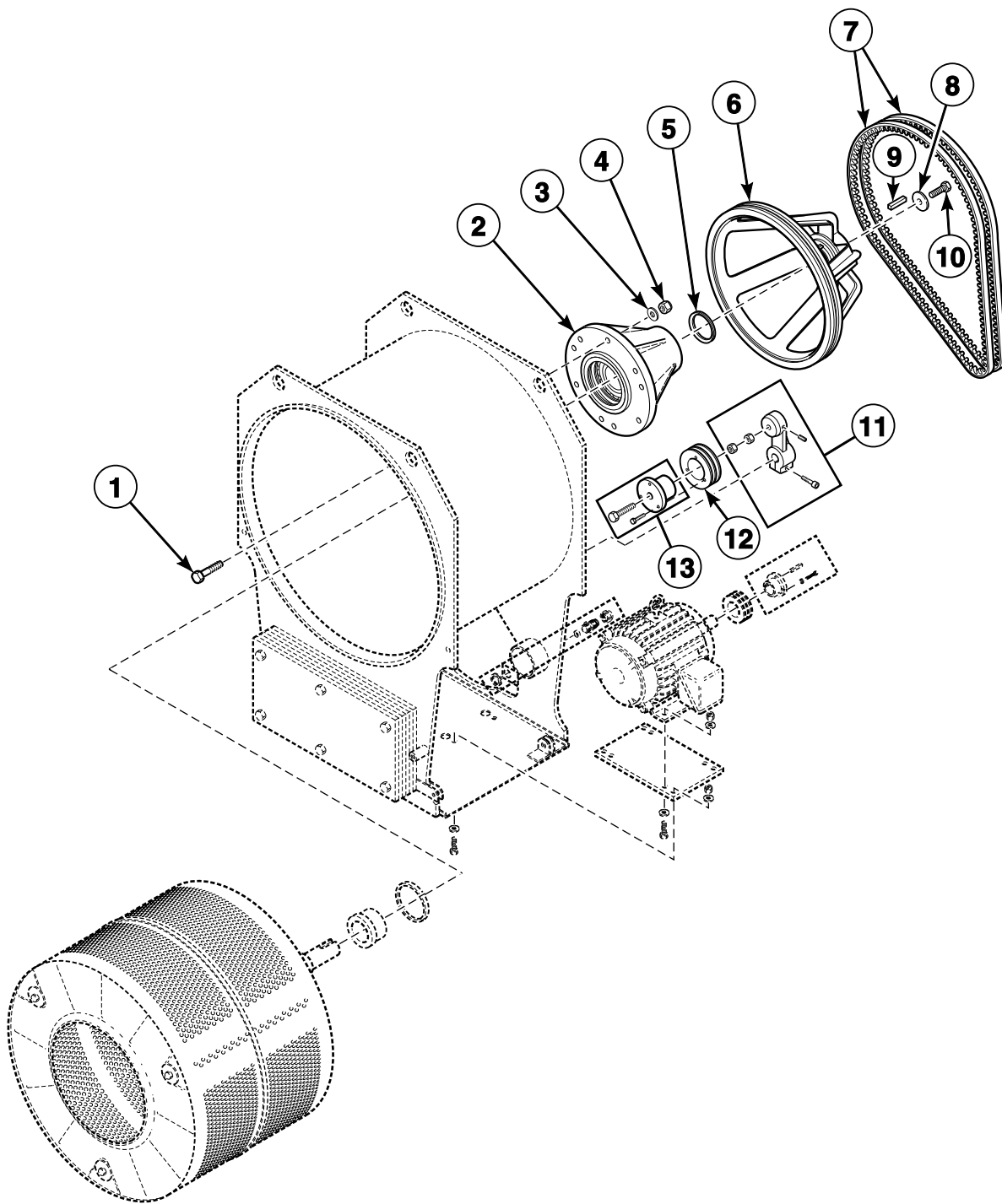
CFS1892P\_F230509

## Side, Rear and Top Panels

REF	PART NO.	DESCRIPTION	COMMENTS
1	N/A	Top Frame Weldment	Models BF35PV, SF35PV and UF35PV
	N/A	Top Frame Weldment	Models BF50PV, SF50PV and UF50PV
	N/A	Top Frame Weldment	Models BF85PV, SF85PV and UF85PV
2	F606719	Top Cover	Models BF35PV, SF35PV and UF35PV
	F605920P	Top Cover	Models BF50PV, SF50PV and UF50PV
	F634140	Top Cover	Models BF85PV, SF85PV and UF85PV
3	F430986	Screw	
4	N/A	Rear Panel	Models BF35PV, SF35PV and UF35PV; Upper
	F631454	Rear Panel	Models BF50PV, SF50PV and UF50PV; Upper
	F633023	Rear Panel	Models BF85PV, SF85PV and UF85PV; Upper
5	F430174	Screw	
6	F430925	Screw	
7	F430215	Nut	
8	F220900	Filter Retainer Guard	
9	F200318900P	Filter	
10	F430916	Screw	
11	F631696	Rear Cover	Models BF35PV, SF35PV and UF35PV
	F631695P	Rear Cover	Models BF50PV, SF50PV and UF50PV; Models through 5/31/95
	F605912	Rear Cover	Models BF50PV, SF50PV and UF50PV; Models starting 6/1/95
	F607335	Rear Cover	Models BF85PV, SF85PV and UF85PV
12	F606718	Side Panel	Models BF35PV, SF35PV and UF35PV; 4 per machine
	F730399	Side Panel Kit	Models BF50PV, SF50PV and UF50PV; 4 per machine; Includes F170148 Foam
	F607339	Side Panel	Models BF85PV, SF85PV and UF85PV; 4 per machine
13	F430179	Screw	
14	F430231	Nut	
15	F110106	Muffin Fan	120 Volt
16	F200215	Hose Clamp	Small; No. 28
17	F150352	Overflow Plug	Small
18	F150443	Plug	Large
19	F200213	Hose Clamp	Large; No. 40

N/A = Part no longer available

# Basket, Pulley, Belt and Trunnion (Drawing 1 of 2)



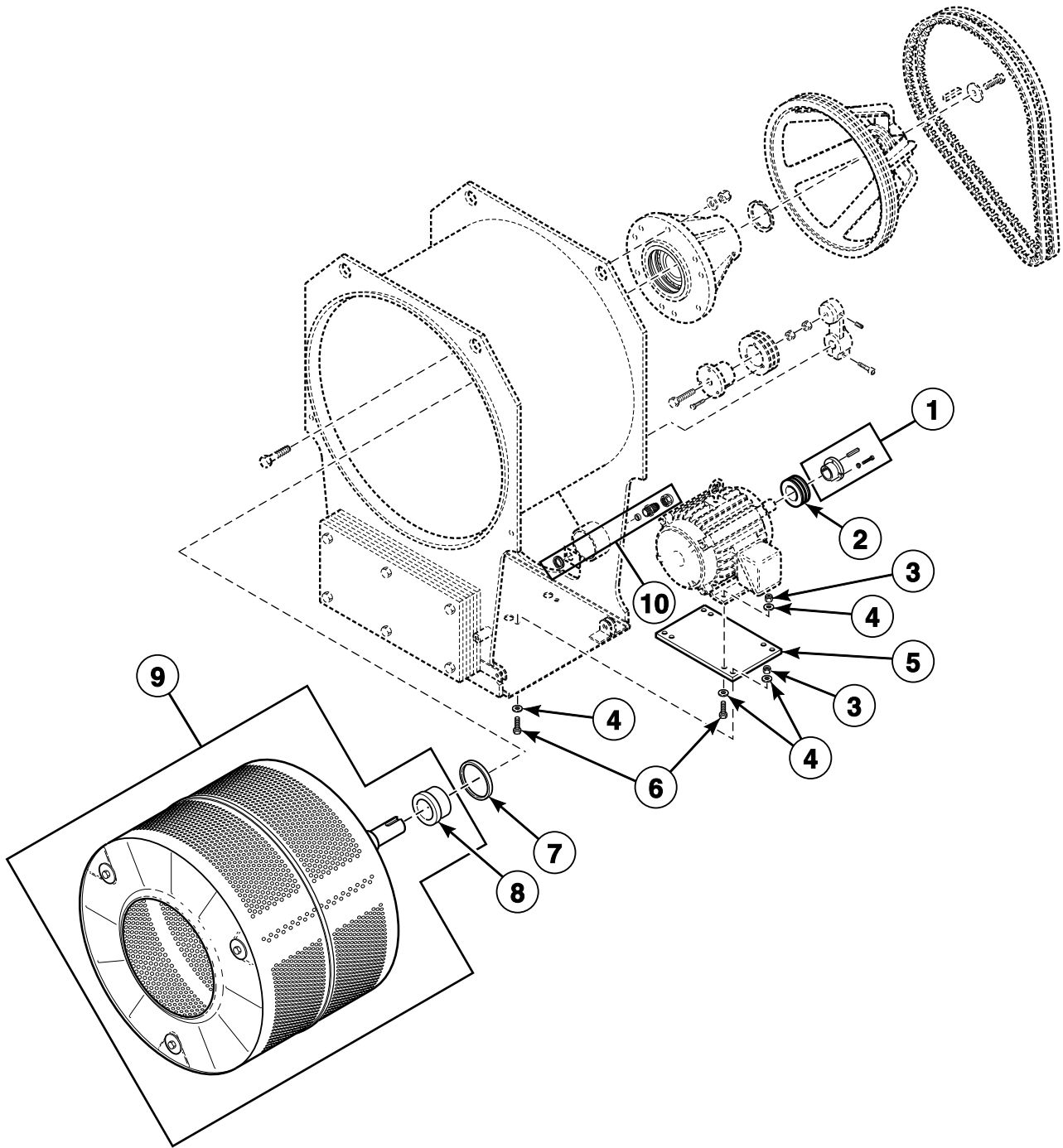
CFS1941P\_F230509

## Basket, Pulley, Belt and Trunnion (Drawing 1 of 2)

REF	PART NO.	DESCRIPTION	COMMENTS
1	F430987	Screw	Models BF35PV, SF35PV and UF35PV
	F430947	Screw	Models BF50PV, SF50PV and UF50PV
	F430952	Bolt	Models BF85PV, SF85PV and UF85PV
2	F730425-1	Trunnion Kit	Models BF35PV, SF35PV and UF35PV; Includes items 3-6
	F730387-1	Trunnion Kit	Models BF50PV, SF50PV and UF50PV; Includes items 3-6
	F730435	Trunnion Kit	Models BF85PV, SF85PV and UF85PV; Includes items 3-5
3	N/A	Washer	Models BF35PV, SF35PV and UF35PV
	F430325	Washer	Models BF50PV, SF50PV and UF50PV
	F8171201	Washer	Models BF85PV, SF85PV and UF85PV
4	F430240	Nut	Models BF35PV, SF35PV and UF35PV
	F430201	Nut	Models BF50PV, SF50PV and UF50PV
	F430202	Nut	Models BF85PV, SF85PV and UF85PV
5	F100249	V-Ring Seal	Models BF35PV, SF35PV and UF35PV
	F100245P	V-Ring Seal	Models BF50PV, SF50PV and UF50PV
	F100250P	V-Ring Seal	Models BF85PV, SF85PV and UF85PV
6	F150253	Basket Pulley	Models BF35PV, SF35PV and UF35PV
	F150245	Basket Pulley	Models BF50PV, SF50PV and UF50PV
	F150256	Basket Pulley Assembly	Models BF85PV, SF85PV and UF85PV; Use 3VX950 Belt
	F150264	Basket Pulley Assembly	Models BF85PV, SF85PV and UF85PV; Models through Serial No. 0600173409; Use BX93 Belt
	F150280	Basket Pulley Assembly	Models BF85PV, SF85PV and UF85PV; Models starting Serial No. 0600173410; Use BX106 Belt
7	F280362	Belt	Models BF35PV, SF35PV and UF35PV; 3VX800; 2 per machine
	F280363	Belt	Models BF50PV, SF50PV and UF50PV; 3VX830; 2 per machine
	F280361	Belt	Models BF85PV, SF85PV and UF85PV; 3VX950; Models through 12/94; 2 per machine
	F280357	Belt	Models BF85PV, SF85PV and UF85PV; BX-93; Models starting 1/95 through 6/01; 2 per machine
	F0280378-00	Belt	Models BF85PV, SF85PV and UF85PV; BX-106; Models starting 6/01; 2 per machine
8	F605985F	Pulley Cover Plate	
9	F430808	Key	Models BF35PV, SF35PV and UF35PV
	F430812	Pulley Key	Models BF50PV, BF85PV, SF50PV, SF85PV, UF50PV and UF85PV
10	F430183	Screw	
11	F280275	Idler Arm	Models starting 1995; Includes nuts and screws
12	F280415	Pulley	Models BF50PV, SF35PV, SF50PV, UF35PV and UF50PV; Models starting 1995
	F280296P	Pulley	Models BF85PV, SF85PV and UF85PV; For BX-106 belt; Models starting 1995
13	F280414P	Idler Bushing Kit	Models starting 1995; Includes F430935 Screw and F431100 Washer

**N/A = Part no longer available**

# Basket, Pulley, Belt and Trunnion (Drawing 2 of 2)

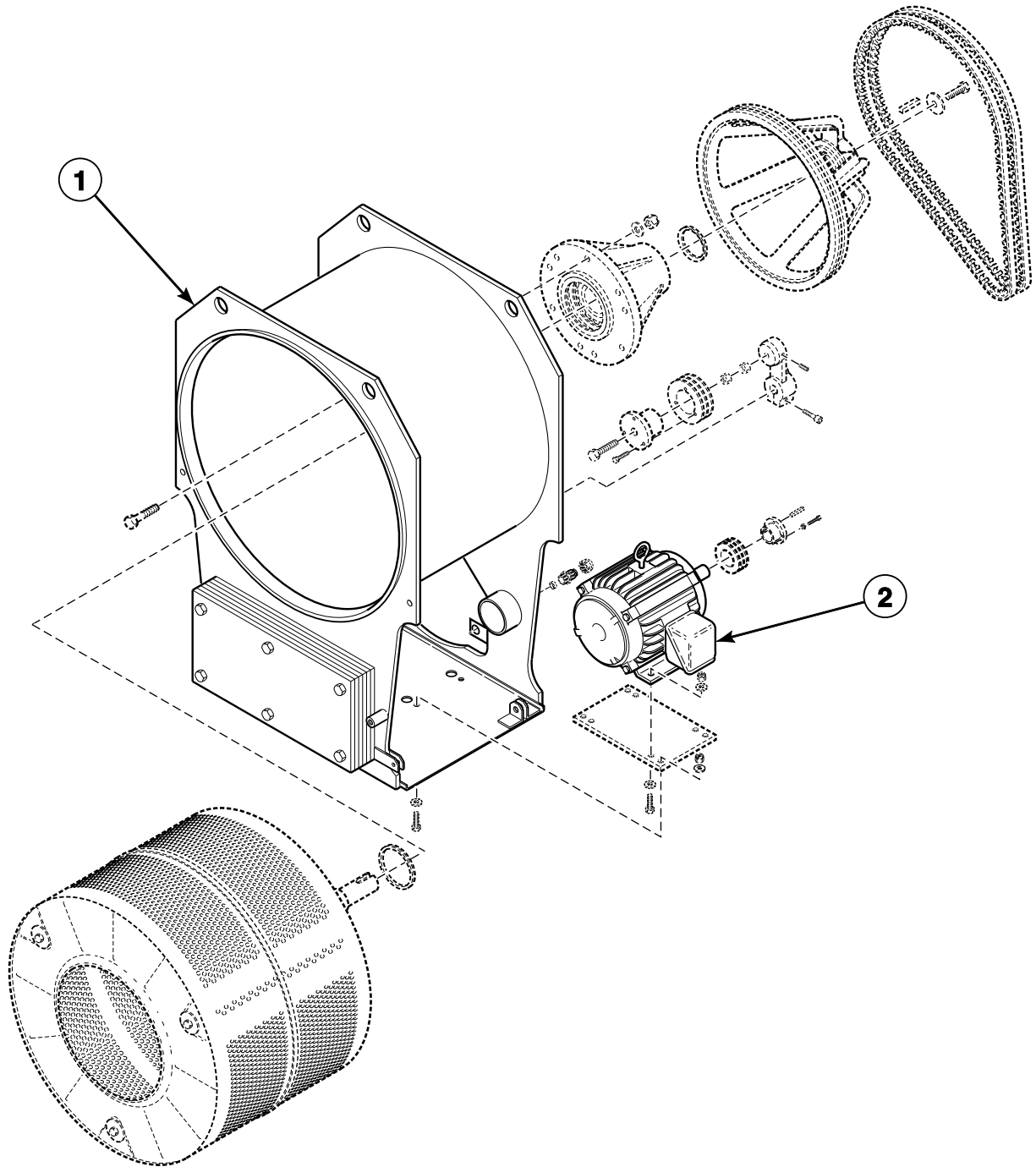


CFS1942P\_F230509

## Basket, Pulley, Belt and Trunnion (Drawing 2 of 2)

REF	PART NO.	DESCRIPTION	COMMENTS
1	F280233P	Bushing	Models BF35PV, BF50PV, SF35PV, SF50PV, UF35PV and UF50PV; Includes screws, washers and key
	F280260	Pulley Bushing	Models BF85PV, SF85PV and UF85PV; Models with F280273 Pulley; Includes screws, washers and key
	F280242	Motor Bushing	Models BF85PV, SF85PV and UF85PV; Models with F280147 Pulley; Includes screws, washers and key
2	F280103	Pulley	Models BF35PV, SF35PV and UF35PV; Manufacturer Part No. 23V300; 3 inch outside diameter
	F280285P	Pulley	Models BF35PV, SF35PV, SF50PV, UF35PV and UF50PV; Manufacturer Part No. 23V265; 2.65 inch outside diameter
	F280273	Pulley	Models BF85PV, SF85PV and UF85PV; Models with F220217 Motor; 2TB40
	F280147	Pulley	Models BF85PV, SF85PV and UF85PV; Models with F220438 Motor; 2BK32H
3	F430218	Nut	Models BF35PV, BF50PV, SF35PV, SF50PV, UF35PV and UF50PV
	F430239	Nut	Models BF85PV, SF85PV and UF85PV
4	F431100	Washer	Models BF35PV, BF50PV, SF35PV, SF50PV, UF35PV and UF50PV
	70261401	Washer	Models BF85PV, SF85PV and UF85PV
5	F432288	Motor Spacer	Models BF35PV, BF50PV, SF35PV, SF50PV, UF35PV and UF50PV
	F432289	Motor Spacer	Models BF85PV, SF85PV and UF85PV; Models through 6/12/00
6	F430939	Screw	Models BF35PV, BF50PV, SF35PV, SF50PV, UF35PV and UF50PV
	F430947	Screw	Models BF85PV, SF85PV and UF85PV
7	F100245P	V-Ring Seal	Models BF35PV, SF35PV and UF35PV
	F100243P	V-Ring Seal	Models BF50PV, SF50PV and UF50PV
	F100251	Excluder Seal	Models BF85PV, SF85PV and UF85PV
8	F400374	Shaft Sleeve	Models BF35PV, SF35PV and UF35PV
	F400375	Shaft Sleeve	Models BF50PV, SF50PV and UF50PV
	F320328	Shaft Sleeve	Models BF85PV, SF85PV and UF85PV
9	F606693	Basket Assembly	Models BF35PV, SF35PV and UF35PV; Includes item 8
	F605822	Basket Assembly	Models BF50PV, SF50PV and UF50PV; Includes item 8
	F607248	Basket Assembly	Models BF85PV, SF85PV and UF85PV; Includes item 8
10	F140331	Strain Relief Connector	PG21

# Shell and Motor



CFS1877P\_F230509



## Shell and Motor

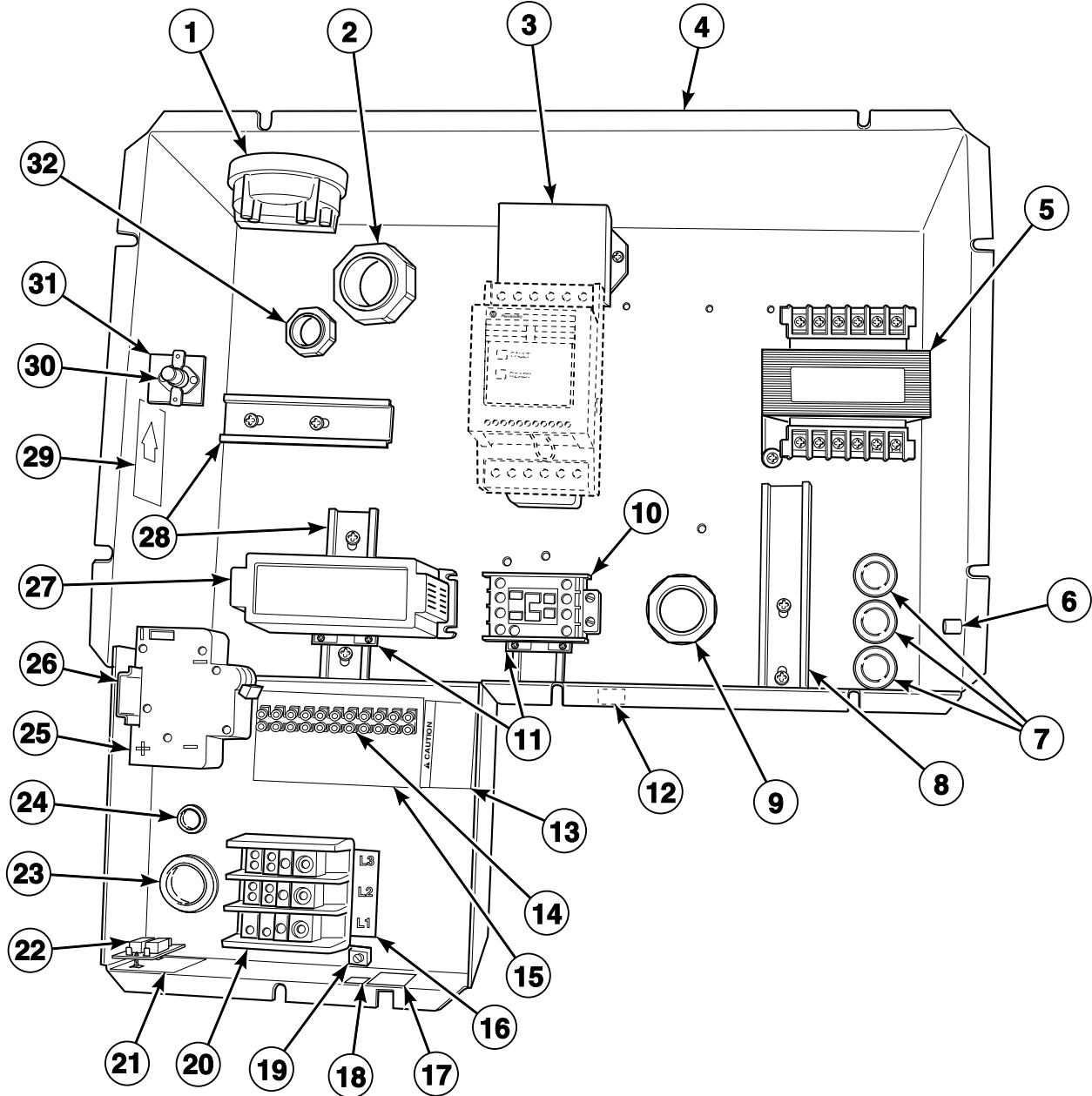
REF	PART NO.	DESCRIPTION	COMMENTS
	N/A	Shell Assembly Replacement Kit	Models BF35PV, SF35PV and UF35PV; Includes item 1, item 11 from <i>Decals</i> section, item 14 from <i>Front Panels</i> section, basket pulley and basket assembly from <i>Basket, Pulley, Belt and Trunnion</i> section
	N/A	Shell Assembly Replacement Kit	Models BF50PV, SF50PV and UF50PV; Includes item 1, item 11 from <i>Decals</i> section, item 14 from <i>Front Panels</i> section, basket pulley and basket assembly from <i>Basket, Pulley, Belt and Trunnion</i> section
	F0636274-01	Shell Assembly Replacement Kit	Models BF85PV, SF85PV and UF85PV; Includes item 1, item 11 from <i>Decals</i> section, item 14 from <i>Front Panels</i> section, basket pulley and basket assembly from <i>Basket, Pulley, Belt and Trunnion</i> section
1	F606705-2	Shell Assembly	Models BF35PV, SF35PV and UF35PV
	N/A	Shell Assembly	Models BF50PV, SF50PV and UF50PV
	N/A	Shell Weldment	Models BF85PV, SF85PV and UF85PV
2	F220215U	Motor	Models BF35PV, SF35PV and UF35PV; Allen-Bradley 1305-Series drives; U.S.; See *NOTE; See **NOTE
	F220215M	Motor	Models BF35PV, SF35PV and UF35PV; Allen-Bradley 1305 and 160-Series drives; Magnetek; Replaces F0220242-00 Motor, F220433 Motor and F220435 Motor; See *NOTE; See **NOTE
	F220214UP	Motor	Models BF50PV, SF50PV and UF50PV; Allen-Bradley 1305, 1336 and 160-Series drives; U.S.; See *NOTE; See **NOTE; No longer available. Complete FB09-22R1 and contact Alliance Laundry Systems customer service for motor replacement information.
	F220434P	Motor	Models BF50PV, SF50PV and UF50PV; Allen-Bradley 1305, 1336 and 160-Series drives; U.S. premium; See *NOTE; See **NOTE
	F220236P	Motor	Models BF50PV, SF50PV and UF50PV; Allen-Bradley 1305, 1336, 160-Series and PowerFlex 40 drives; Magnetek; See *NOTE; See **NOTE
	F220217	Motor	Models BF85PV, SF85PV and UF85PV; U.S.; Motor manufacturer part no. G69020; See **NOTE
	F220438	Motor	Models BF85PV, SF85PV and UF85PV; Magnetek; Motor manufacturer part no. 392264; See **NOTE

N/A = Part no longer available

\* NOTE: Refer to the *Motor Manufacturer's Part Number on the Motor's Nameplate* section for help with locating the motor manufacturer's part number.

\*\* NOTE: AC drive parameters must be compatible with the motor and motor pulley. Please request the AC drive parameter illustration for parameter verification when ordering a motor

# Drive Box - Models BF35PV, BF50PV, SF35PV, SF50PV, UF35PV and UF50PV (Drawing 1 of 6)



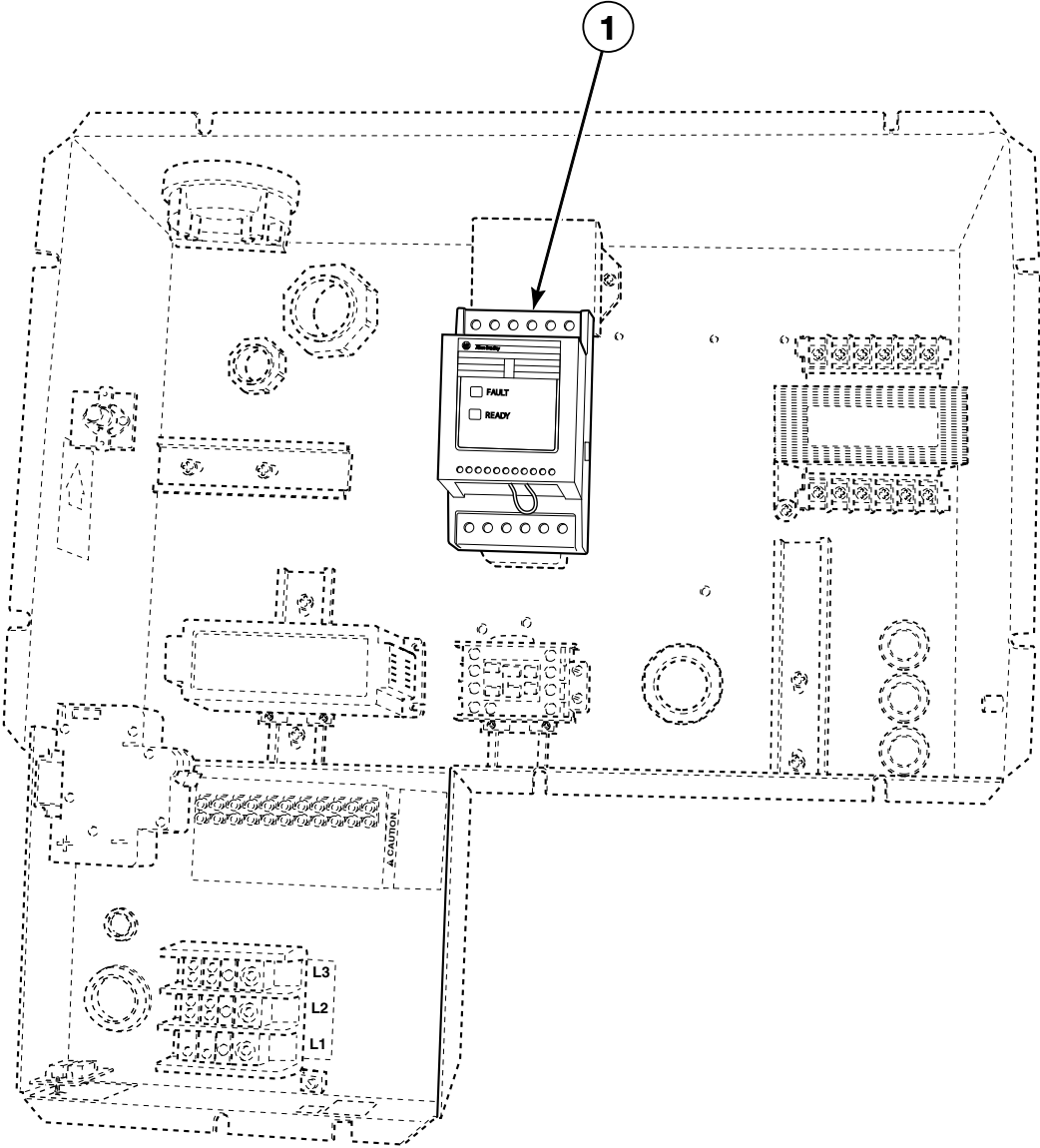
CFS1861P\_F230509

## Drive Box - Models BF35PV, BF50PV, SF35PV, SF50PV, UF35PV and UF50PV (Drawing 1 of 6)

REF	PART NO.	DESCRIPTION	COMMENTS
1	F0340340-10P	Water Level Switch	Models BF35PV, SF35PV and UF35PV
	F0340343-10P	Water Level Switch	Models BF50PV, SF50PV and UF50PV
2	F140341	Strain Relief Connector	PG36
3	F635257	Air Duct Assembly	
4	F634605	AC Drive Box Assembly	
5	C000203	Transformer	150 VA; Standard models
	F360125P	Transformer	250 VA; Models with water reuse option
6	F140526	Plug	
7	F180485	Cap Plug	7/8 inch
8	F610843	Mounting Rail	6 inch
9	F140224	Strain Relief Connector	PG29
10	F330175P	Contactors	
11	F330530	End Anchor	
12	F231416	AC Drive Caution Decal	
13	F231345-4	External Supply Caution Decal	
14	F140782	Terminal Block	
15	F230764-6	External Supply Connection Decal	
16	F230677	Input Power Connector Decal	
17	F230630	Ground Decal	
18	F231434	Ground Decal	
19	F140734	Ground Terminal Lug	
20	M413865	Terminal Block	
21	F231271-1	External Supply Fuse Decal	
22	F0350312-10	Fuse Holder	
23	F180486	Cap Plug	1 1/8 inch
24	F180507	Cap Plug	5/8 inch
25	C000302P	Circuit Breaker	2 pole; 2 Amp; Models with suffix PVP or PVN
	F350202P	Circuit Breaker	2 pole; 3 Amp; Models with suffix PVQ or PVT
26	N/A	Mounting Rail	2 3/4 inch
27	F370236P	Capacitor Module	200 Volt; Models with suffix PVQ
	F370237	Capacitor Module	400 Volt; Models with suffix PVP or PVN
28	N/A	Mounting Rail	5 inch
29	F231379	Thermostat Reset Decal	
30	F290114	Thermostat	
31	N/A	Temperature Sensor Bracket	
32	F140331	Strain Relief Connector	PG21

N/A = Part no longer available

# Drive Box - Models BF35PV, BF50PV, SF35PV, SF50PV, UF35PV and UF50PV (Drawing 2 of 6)



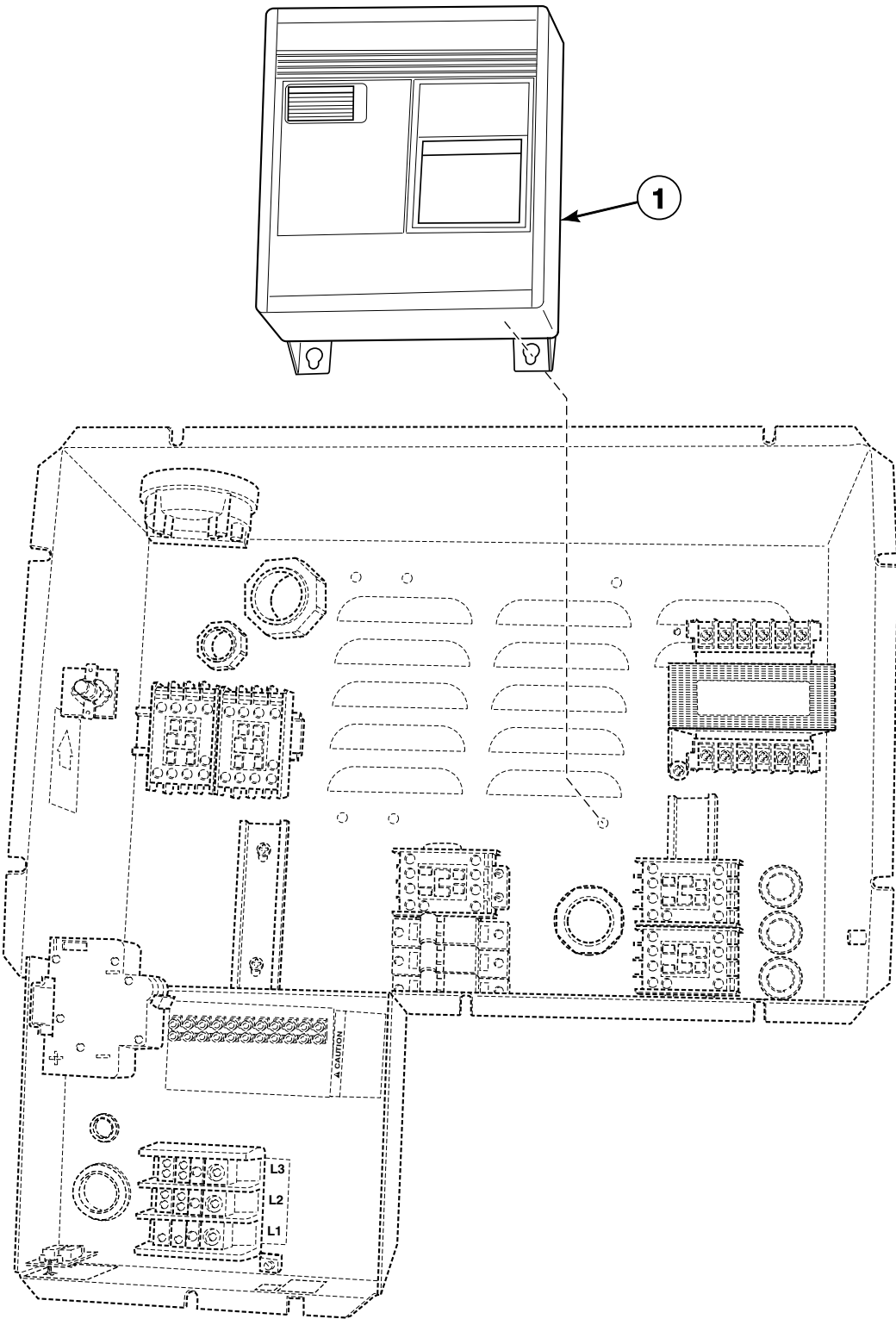
CFS1891P\_F230509

## Drive Box - Models BF35PV, BF50PV, SF35PV, SF50PV, UF35PV and UF50PV (Drawing 2 of 6)

REF	PART NO.	DESCRIPTION	COMMENTS
1	F370815	Inverter Drive	Models BF35PV, SF35PV and UF35PV; Models starting 11/12/96 through 8/22/99; Models with suffix PVQ or PVT*; 1305-Series
	F370857	Inverter Drive	Models BF35PV, SF35PV and UF35PV; Models starting 8/22/99; Models with suffix PVQ*; 160-Series
	F370843	Inverter Drive	Models BF35PV, SF35PV and UF35PV; Models starting 8/22/99; Models with suffix PVT*; 160-Series
	F370816	Inverter Drive	Models BF35PV, SF35PV and UF35PV; Models starting 11/12/96 through 8/22/99; Models with suffix PVP or PVN*; 1305-Series
	F370858	Inverter Drive	Models BF35PV, SF35PV and UF35PV; Models starting 8/22/99; Models with suffix PVP or PVN*; 160-Series
	F370815	Inverter Drive	Models BF50PV, SF50PV and UF50PV; Models starting 11/12/96 through 8/22/99; Models with suffix PVQ*; 1305-Series
	F370843	Inverter Drive	Models BF50PV, SF50PV and UF50PV; Models starting 8/22/99; Models with suffix PVQ*; 160-Series
	F370838	Inverter Drive	Models BF50PV, SF50PV and UF50PV; Models starting 11/12/96 through 10/7/99; Models with suffix PVT*; 1336-Series
	F370853	Inverter Drive	Models BF50PV, SF50PV and UF50PV; Models starting 10/7/99; Models with suffix PVT*; 160-Series
	F370818	Inverter Drive	Models BF50PV, SF50PV and UF50PV; Models starting 11/12/96 through 8/22/99; Models with suffix PVP or PVN*; 1305-Series
	F370844	Inverter Drive	Models BF50PV, SF50PV and UF50PV; Models starting 8/22/99; Models with suffix PVP or PVN*; 160-Series

**\* NOTE: These drives are not pre-programmed. They must be programmed with parameters based on a machine's requirements before they are installed onto a machine. To determine the necessary drive parameters, use the drive parameter database or contact Alliance Laundry Systems' Customer Service department.**

# Drive Box - Models BF35PV, BF50PV, SF35PV, SF50PV, UF35PV and UF50PV (Drawing 3 of 6)



CFS1932P\_F230509

## Drive Box - Models BF35PV, BF50PV, SF35PV, SF50PV, UF35PV and UF50PV (Drawing 3 of 6)

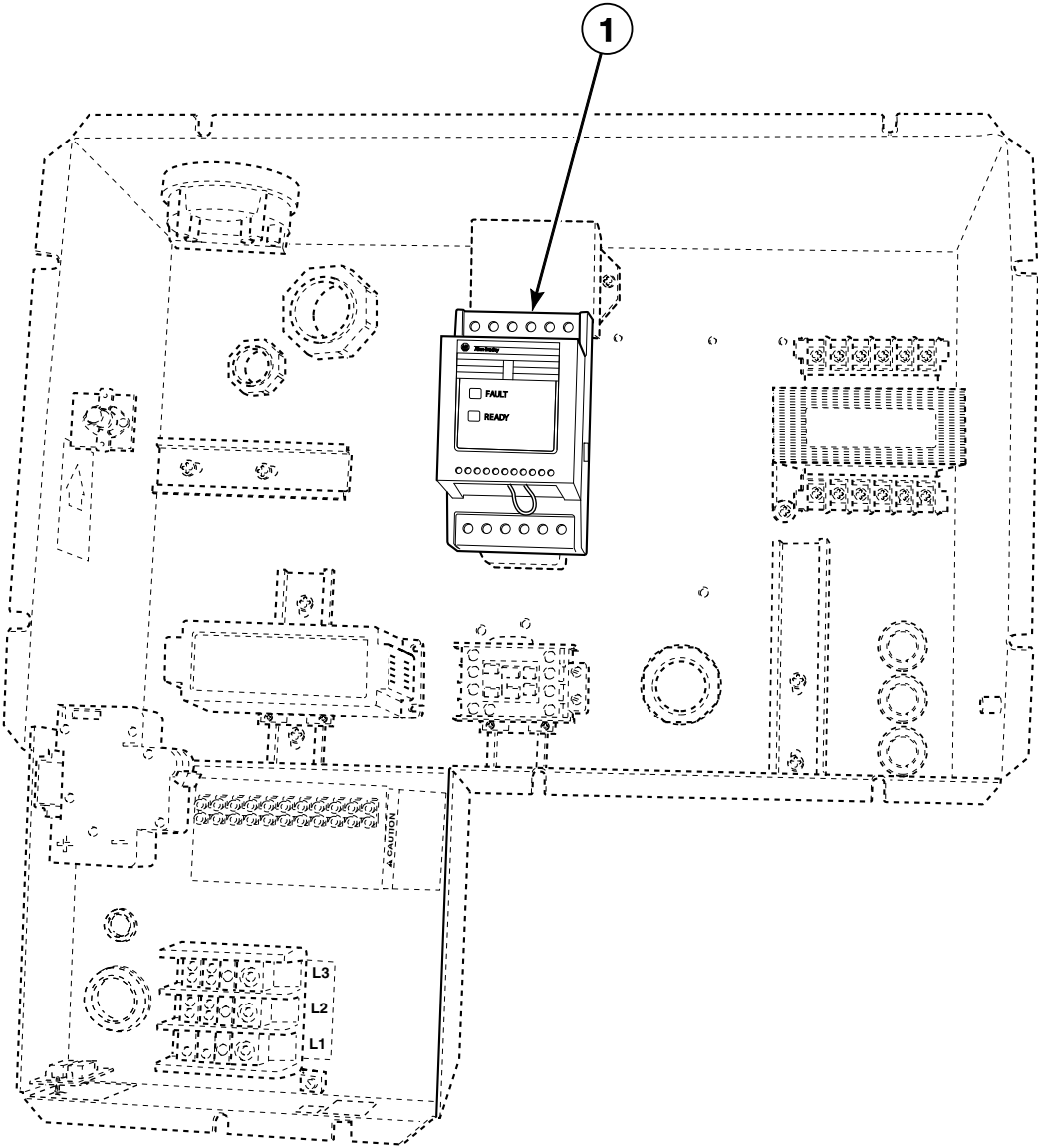
REF	PART NO.	DESCRIPTION	COMMENTS
1	N/A	1305 to 160-Series AC Drive Retrofit Kit	Models BF35PV, SF35PV and UF35PV; Q-voltage; Requires F220215U Motor (Motor manufacturer Part No.* G63653); Includes a 3 inch pulley
	N/A	1305 to 160-Series AC Drive Retrofit Kit	Models BF35PV, SF35PV and UF35PV; T-voltage; Requires F220215U Motor (Motor manufacturer Part No.* G63653); Includes a 3 inch pulley
	N/A	1305 to 160-Series AC Drive Retrofit Kit	Models BF35PV, SF35PV and UF35PV; P and N-voltage; Requires F220215U Motor (Motor manufacturer Part No.* G63653); Includes a 3 inch pulley
	N/A	1305 to 160-Series AC Drive Retrofit Kit	Models BF35PV, SF35PV and UF35PV; Q-voltage; Requires F220215M Motor (Motor manufacturer Part No.* F-391719-61); Includes a 3 inch pulley
	F079902101	1305 to 160-Series AC Drive Retrofit Kit	Models BF35PV, SF35PV and UF35PV; T-voltage; Requires F220215M Motor (Motor manufacturer Part No.* F-391719-61); Includes a 3 inch pulley
	N/A	1305 to 160-Series AC Drive Retrofit Kit	Models BF35PV, SF35PV and UF35PV; P and N-voltage; Requires F220215M Motor (Motor manufacturer Part No.* F-391719-61); Includes a 3 inch pulley
	N/A	1305 to 160-Series AC Drive Retrofit Kit	Models BF50PV, SF50PV and UF50PV; Q-voltage; Requires F220214U Motor (Motor manufacturer Part No.* G68094) and a 2.65 inch pulley
	N/A	1305 to 160-Series AC Drive Retrofit Kit	Models BF50PV, SF50PV and UF50PV; Q-voltage; Requires F220434 Motor (Motor manufacturer Part No.* 7965) and a 2.65 inch pulley
	N/A	1305 to 160-Series AC Drive Retrofit Kit	Models BF50PV, SF50PV and UF50PV; Q-voltage; Requires F220214M Motor (Motor manufacturer Part No.* 9-391718-60) and a 2.65 inch pulley
	N/A	1305 to 160-Series AC Drive Retrofit Kit	Models BF50PV, SF50PV and UF50PV; Q-voltage; Requires F220236 Motor (Motor manufacturer Part No.* F-391994-61) and a 2.65 inch pulley; Replaced by F8174402 1305 to Power Flex 40 Drive Kit
	N/A	1305 to 160-Series AC Drive Retrofit Kit	Models BF50PV, SF50PV and UF50PV; P and N-voltage; Requires F220214U Motor (Motor manufacturer Part No.* G68094) and a 2.65 inch pulley
	N/A	1305 to 160-Series AC Drive Retrofit Kit	Models BF50PV, SF50PV and UF50PV; P and N-voltage; Requires F220434 Motor (Motor manufacturer Part No.* 7965) and a 2.65 inch pulley
	N/A	1305 to 160-Series AC Drive Retrofit Kit	Models BF50PV, SF50PV and UF50PV; P and N-voltage; Requires F220214M Motor (Motor manufacturer Part No.* 9-391718-60) and a 2.65 inch pulley
	N/A	1305 to 160-Series AC Drive Retrofit Kit	Models BF50PV, SF50PV and UF50PV; P and N-voltage; Requires F220236 Motor (Motor manufacturer Part No.* F-391994-61) and a 2.65 inch pulley; Replaced by F8174502 1305 Power Flex 40 Drive Kit

N/A = Part no longer available

NOTE: Kits can only be used on models starting 12/97.

\* NOTE: Refer to the *Motor Manufacturer's Part Number on the Motor's Nameplate* section for help with locating the motor manufacturer's part number.

# Drive Box - Models BF35PV, BF50PV, SF35PV, SF50PV, UF35PV and UF50PV (Drawing 4 of 6)



CFS1891P\_F230509



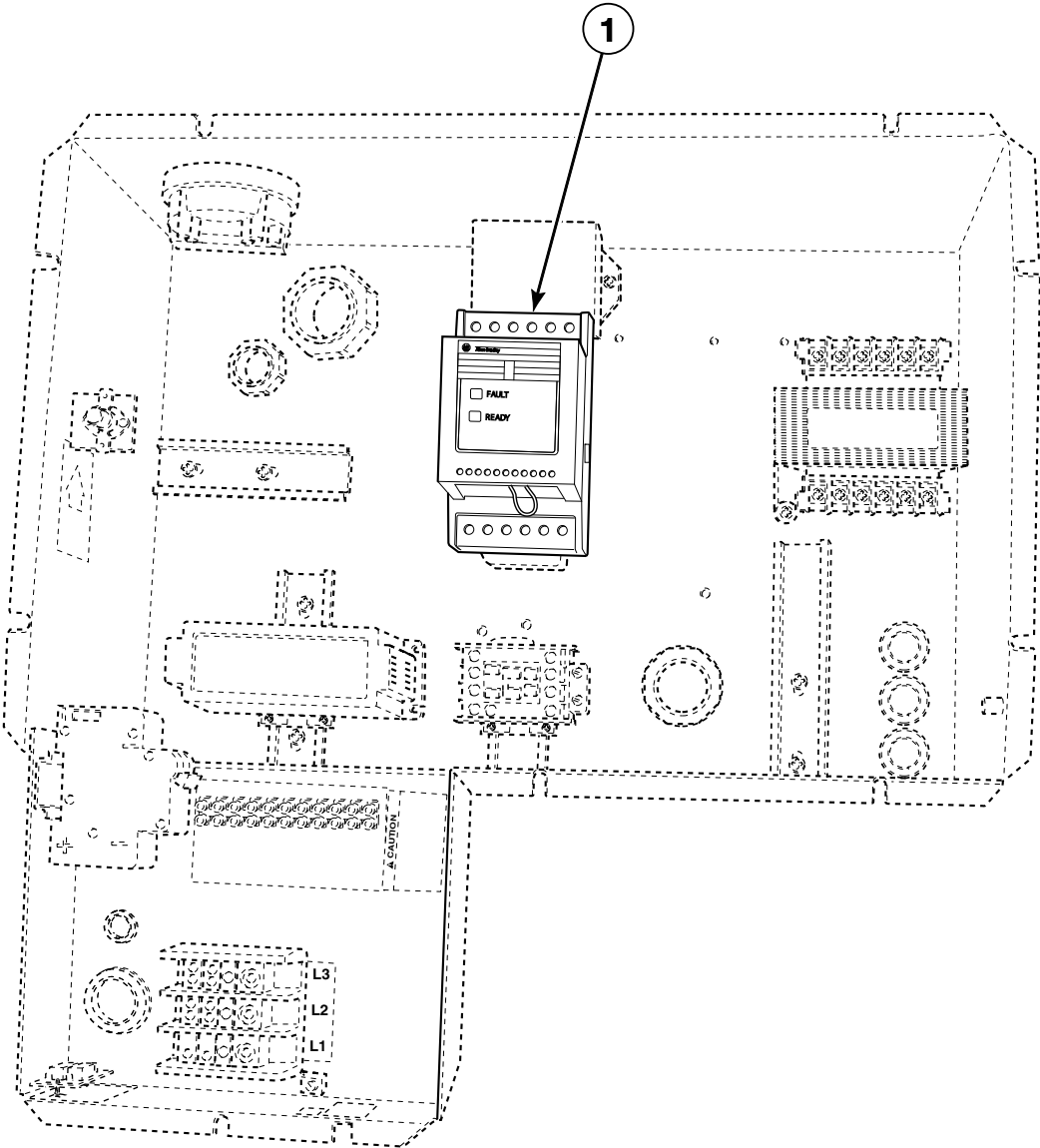
## Drive Box - Models BF35PV, BF50PV, SF35PV, SF50PV, UF35PV and UF50PV (Drawing 4 of 6)

REF	PART NO.	DESCRIPTION	COMMENTS
1	N/A	160-Series AC Drive Kit	Models BF35PV, SF35PV and UF35PV; Q-voltage models originally equipped with 160-Series AC Drives or models previously updated with F079901900 1305 to 160-Series AC Drive Retrofit Kit; Requires F220215U Motor (Motor manufacturer Part No.* G63653) and a 3 inch pulley
	N/A	160-Series AC Drive Kit	Models BF35PV, SF35PV and UF35PV; T-voltage models originally equipped with 160-Series AC Drives or models previously updated with F079901901 1305 to 160-Series AC Drive Retrofit Kit; Requires F220215U Motor (Motor manufacturer Part No.* G63653) and a 3 inch pulley
	N/A	160-Series AC Drive Kit	Models BF35PV, SF35PV and UF35PV; P and N-voltage models originally equipped with 160-Series AC Drives or models previously updated with F079902000 1305 to 160-Series AC Drive Retrofit Kit; Requires F220215U Motor (Motor manufacturer Part No.* G63653) and a 3 inch pulley
	N/A	160-Series AC Drive Kit	Models BF35PV, SF35PV and UF35PV; Q-voltage models originally equipped with 160-Series AC Drives or models previously updated with F079902100 1305 to 160-Series AC Drive Retrofit Kit; Requires F220215M Motor (Motor manufacturer Part No.* F-391719-61) and a 3 inch pulley
	N/A	160-Series AC Drive Kit	Models BF35PV, SF35PV and UF35PV; T-voltage models originally equipped with 160-Series AC Drives or models previously updated with F079902101 1305 to 160-Series AC Drive Retrofit Kit; Requires F220215M Motor (Motor manufacturer Part No.* F-391719-61) and a 3 inch pulley
	N/A	160-Series AC Drive Kit	Models BF35PV, SF35PV and UF35PV; P and N-voltage models originally equipped with 160-Series AC Drives or models previously updated with F079902200 1305 to 160-Series AC Drive Retrofit Kit; Requires F220215M Motor (Motor manufacturer Part No.* F-391719-61) and a 3 inch pulley

**N/A = Part no longer available**

**\* NOTE: Refer to the *Motor Manufacturer's Part Number on the Motor's Nameplate* section for help with locating the motor manufacturer's part number.**

# Drive Box - Models BF35PV, BF50PV, SF35PV, SF50PV, UF35PV and UF50PV (Drawing 5 of 6)



CFS1891P\_F230509

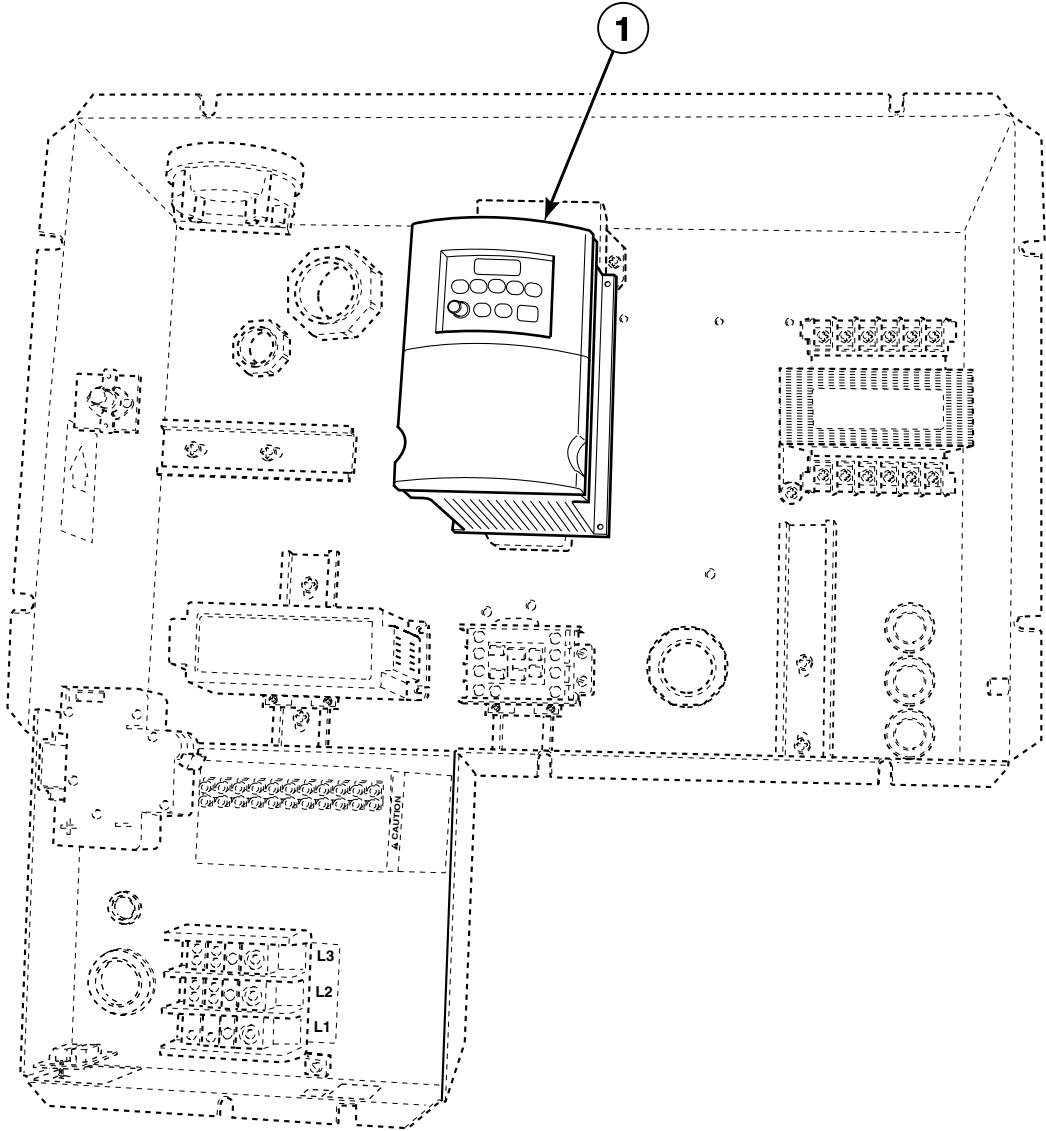
## Drive Box - Models BF35PV, BF50PV, SF35PV, SF50PV, UF35PV and UF50PV (Drawing 5 of 6)

REF	PART NO.	DESCRIPTION	COMMENTS
1	N/A	160-Series AC Drive Kit	Models BF50PV, SF50PV and UF50PV; Q-voltage models originally equipped with 160-Series AC Drives or models previously updated with F079900200 1305 to 160-Series AC Drive Retrofit Kit; Requires F220214U Motor (Motor manufacturer Part No.* G68094) and a 2.65 inch pulley
	N/A	160-Series AC Drive Kit	Models BF50PV, SF50PV and UF50PV; Q-voltage models originally equipped with 160-Series AC Drives or models previously updated with F079900300 1305 to 160-Series AC Drive Retrofit Kit; Requires F220434 Motor (Motor manufacturer Part No.* 7965) and a 2.65 inch pulley
	N/A	160-Series AC Drive Kit	Models BF50PV, SF50PV and UF50PV; Q-voltage models originally equipped with 160-Series AC Drives or models previously updated with F079900400 1305 to 160-Series AC Drive Retrofit Kit; Requires F220214M Motor (Motor manufacturer Part No.* 9-391718-60) and a 2.65 inch pulley
	N/A	160-Series AC Drive Kit	Models BF50PV, SF50PV and UF50PV; Q-voltage models originally equipped with 160-Series AC Drives or models previously updated with F079879000 1305 to 160-Series AC Drive Retrofit Kit; Requires F220236 Motor (Motor manufacturer Part No.* F-391994-61) and a 2.65 inch pulley; Replaced by F8174401 160 to Power Flex 40 Drive Kit
	N/A	160-Series AC Drive Kit	Models BF50PV, SF50PV and UF50PV; P and N-voltage models originally equipped with 160-Series AC Drives or models previously updated with F079900500 1305 to 160-Series AC Drive Retrofit Kit; Requires F220214U Motor (Motor manufacturer Part No.* G68094) and a 2.65 inch pulley
	N/A	160-Series AC Drive Kit	Models BF50PV, SF50PV and UF50PV; P and N-voltage models originally equipped with 160-Series AC Drives or models previously updated with F079900600 1305 to 160-Series AC Drive Retrofit Kit; Requires F220434 Motor (Motor manufacturer Part No.* 7965) and a 2.65 inch pulley
	N/A	160-Series AC Drive Kit	Models BF50PV, SF50PV and UF50PV; P and N-voltage models originally equipped with 160-Series AC Drives or models previously updated with F079900700 1305 to 160-Series AC Drive Retrofit Kit; Requires F220214M Motor (Motor manufacturer Part No.* 9-391718-60) and a 2.65 inch pulley
	N/A	160-Series AC Drive Kit	Models BF50PV, SF50PV and UF50PV; P and N-voltage models originally equipped with 160-Series AC Drives or models previously updated with F079879100 1305 to 160-Series AC Drive Retrofit Kit; Requires F220236 Motor (Motor manufacturer Part No.* F-391994-61) and a 2.65 inch pulley; Replaced by F8174501 160 to Power Flex 40 Drive Kit

**N/A = Part no longer available**

**\* NOTE: Refer to the *Motor Manufacturer's Part Number on the Motor's Nameplate* section for help with locating the motor manufacturer's part number.**

**Drive Box - Models BF35PV, BF50PV, SF35PV, SF50PV, UF35PV  
and UF50PV (Drawing 6 of 6)**



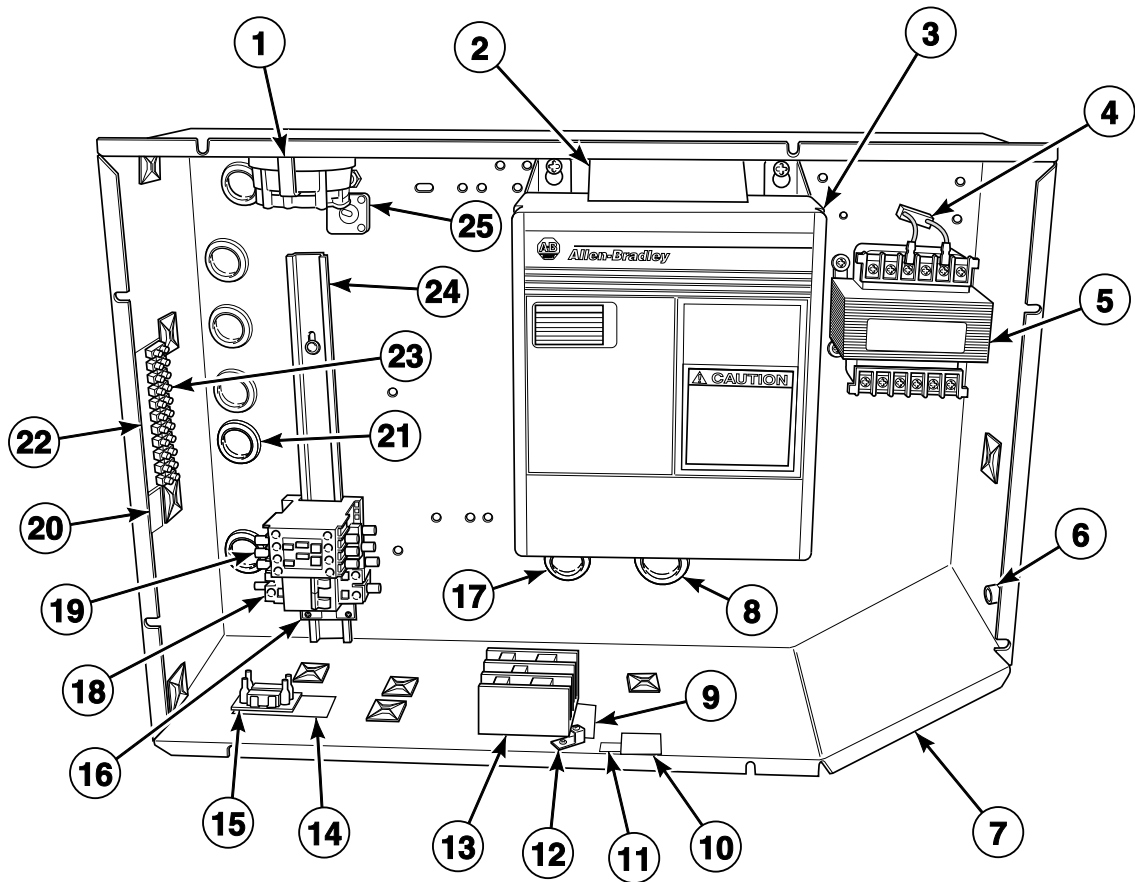
CFS1948P\_F230509

## Drive Box - Models BF35PV, BF50PV, SF35PV, SF50PV, UF35PV and UF50PV (Drawing 6 of 6)

REF	PART NO.	DESCRIPTION	COMMENTS
1	F8174405	1305 to PowerFlex40 Drive Kit	Models BF50PV, SF50PV and UF50PV; Models equipped with 1305-series AC drives or models previously updated from 1305-series to 160-series drives; Q-voltage models through 8/22/99; Includes AC Drive F8323601; Requires F220236 Motor (Motor manufacturer Part No. *F-391994-61)
	F8174504	1305 to PowerFlex40 Drive Kit	Models BF50PV, SF50PV and UF50PV; Models equipped with 1305-series AC Drives or models previously updated from 1305-series to 160-series drives; N and P-voltage models through 8/22/99; Includes AC Drive F8323602; Requires F220236 Motor (Motor manufacturer Part No. *F-391994-61)
	F8174404	160 to PowerFlex40 Drive Kit	Models BF50PV, SF50PV and UF50PV; Models originally equipped with 160-series AC drives; Q-voltage models starting 8/23/99 and T-voltage models starting 10/8/99; Includes AC drive F8323601; Requires F220236 Motor (Motor manufacturer Part No. *F-391994-61)
	F8174503	160 to PowerFlex40 Drive Kit	Models BF50PV, SF50PV and UF50PV; Models originally equipped with 160-series AC drives; N and P-voltage models starting 8/23/99; Includes AC drive F8323602; Requires F220236 Motor (Motor manufacturer Part No. *F-391994-61)

**\* NOTE:** Refer to the *Motor Manufacturer's Part Number on the Motor's Nameplate* section for help with locating the motor manufacturer's part number.

# Drive Box - Models BF85PV, SF85PV and UF85PV



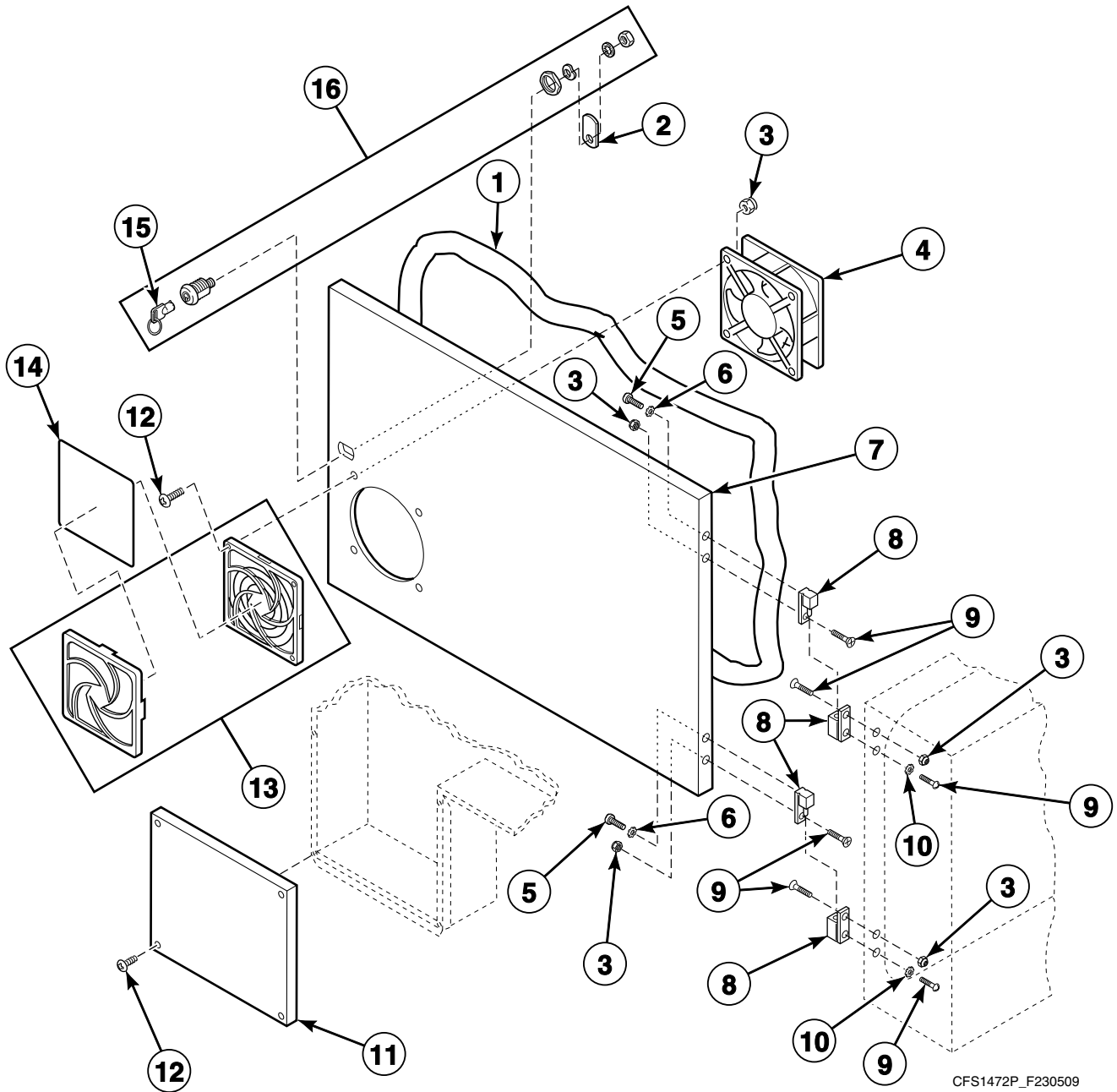
CFS1862P\_F230509

## Drive Box - Models BF85PV, SF85PV and UF85PV

REF	PART NO.	DESCRIPTION	COMMENTS
1	F0340345-10P	Water Level Switch	
2	F0636279-00	Vent Shield Assembly	
3	F370838	Inverter Drive	Models starting 1/2/97; Models with suffix PVQ or PVT
	F037083500	Inverter Drive	Models starting 1/2/97; Models with suffix PVP or PVN.
4	F330217P	RC Network Filter	Includes F140627 Connector and F141022 Connector
5	C000203	Transformer	150 VA; Standard models
	F360125P	Transformer	250 VA; Models with water reuse option
6	F140526	Plug	1/2 inch
7	N/A	AC Drive Box Assembly	Includes item 2
8	F140224	Strain Relief Connector	PG29
9	F231437	Input Power Decal	
10	F230630	Ground Decal	
11	F231434	Ground Decal	
12	F140734	Ground Terminal Lug	
13	M413865	Terminal Block	
14	F231271	External Supply Fuse Decal	
15	F0350312-10	Fuse Holder	
16	F330530	End Anchor	
17	F180485	Cap Plug	7/8 inch
18	C000302P	Circuit Breaker	2 pole; 2 Amp; Models with suffix PVP or PVN
	F350202P	Circuit Breaker	2 pole; 3 Amp; Models with suffix PVQ or PVT
19	F330178P	Contactors	
20	F231345-4	External Supply Caution Decal	
21	F180486	Cap Plug	1 1/8 inch
22	F230764-6	External Supply Connection Decal	
23	F140782	Terminal Block	
24	F610845	Mounting Rail	
25	F141873	Harness Assembly	Water reuse

N/A = Part no longer available

# Drive Box Cover - Models BF35PV, BF50PV, SF35PV, SF50PV, UF35PV and UF50PV



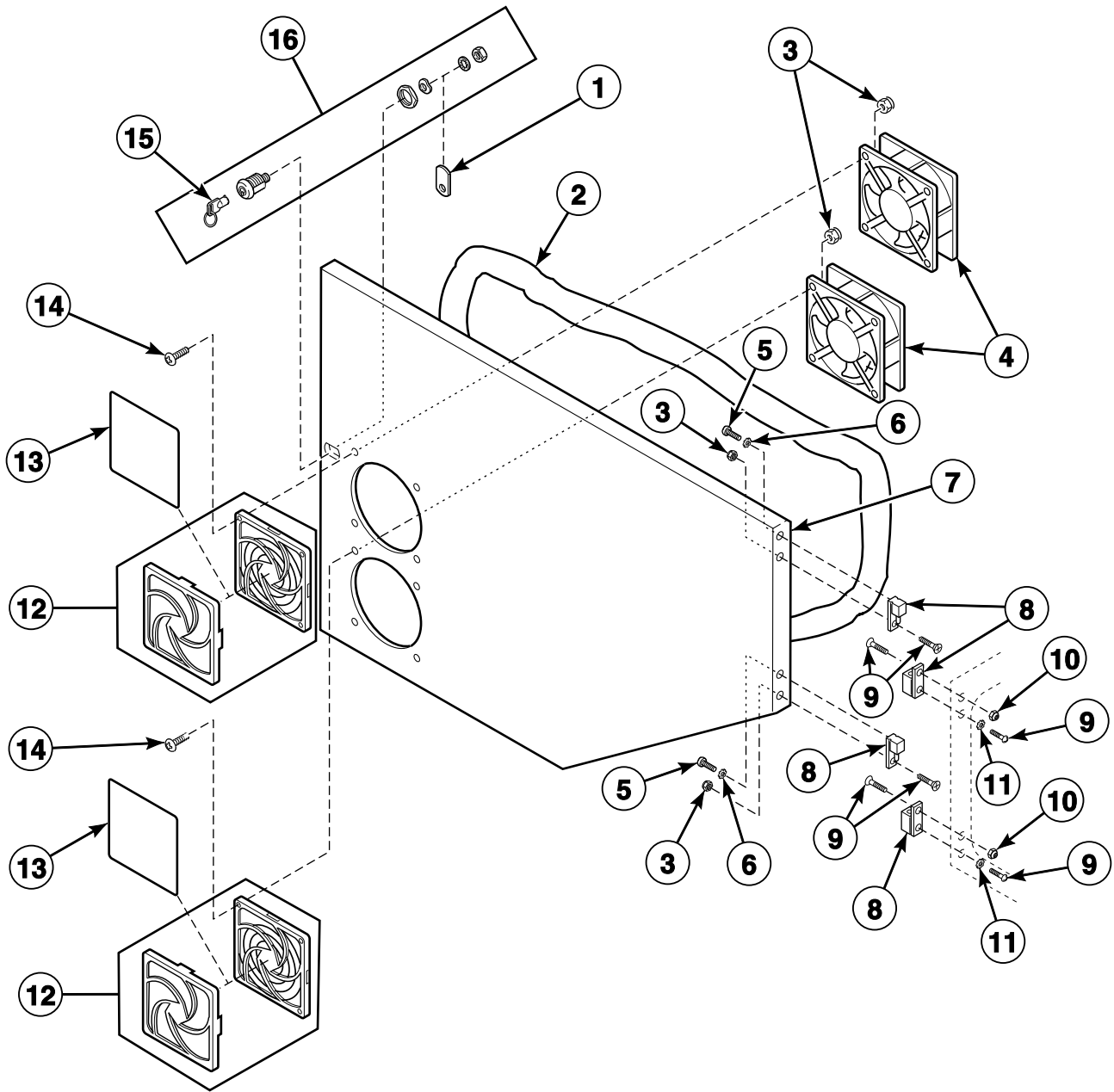
CFS1472P\_F230509



## Drive Box Cover - Models BF35PV, BF50PV, SF35PV, SF50PV, UF35PV and UF50PV

REF	PART NO.	DESCRIPTION	COMMENTS
1	F170176	Gasket	Order 6 feet
2	F606295	Lock Latch	
3	F430231	Nut	
4	F110106	Muffin Fan	
5	F430928	Screw	
6	F431113	Washer	
7	F631741	AC Drive Box Cover	
8	F190209P	Lift-Off Hinge	
9	F432231	Screw	
10	F431125	Washer	
11	F631705	Electric Box Cover	
12	F8535601	Screw	
13	F220900	Filter Retainer Guard	
14	F200318900P	Filter	
15	F160562	Key	Key code GR3800
16	F190802P	Lid Lock	Includes item 15

# Drive Box Cover - Models BF85PV, SF85PV and UF85PV



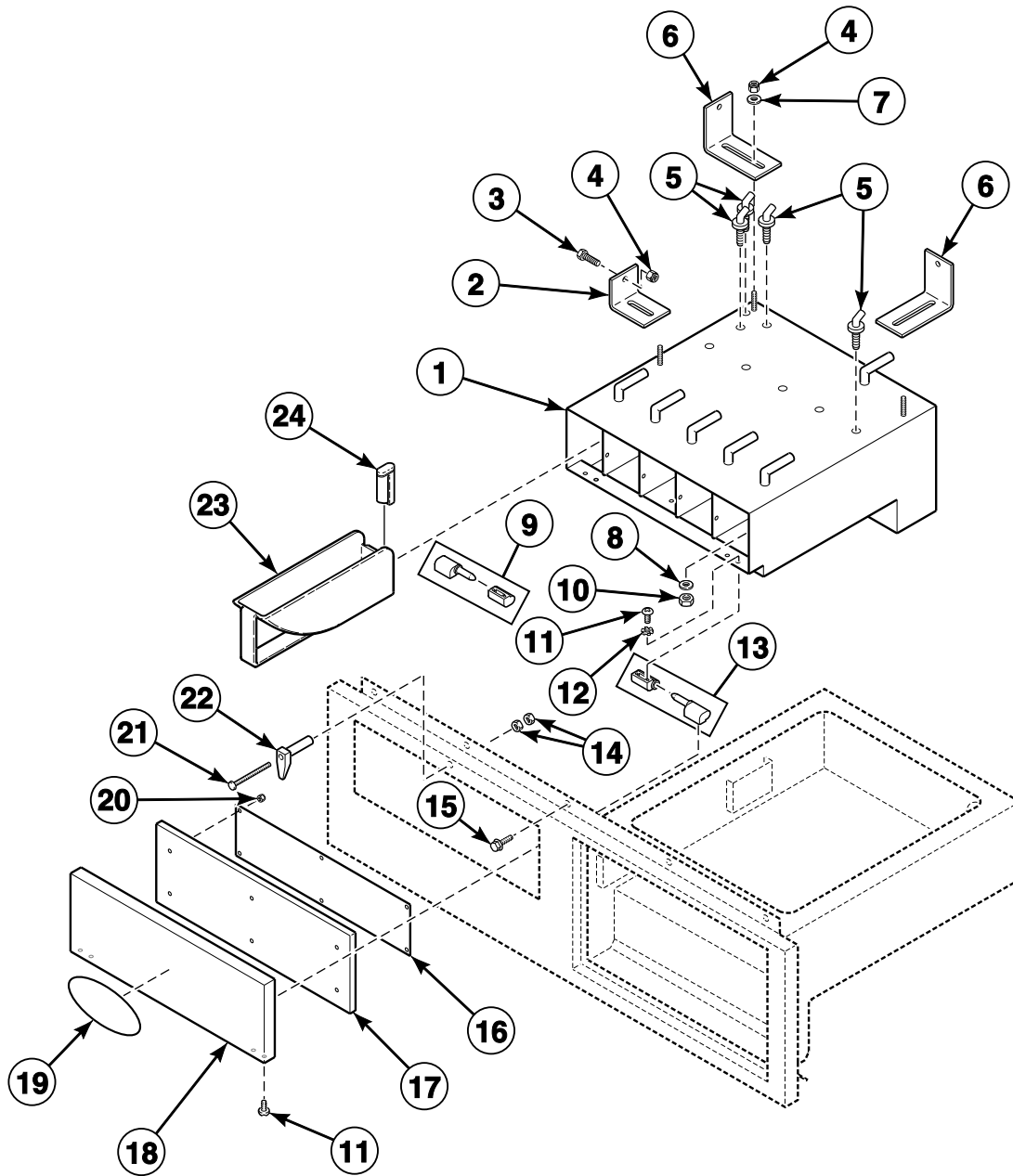
CFS1901P\_F230509

## Drive Box Cover - Models BF85PV, SF85PV and UF85PV

REF	PART NO.	DESCRIPTION	COMMENTS
1	F606295	Lock Latch	
2	F170176	Gasket	Order 7 feet
3	F430232	Nut	
4	F110106	Muffin Fan	
5	F430928	Screw	
6	F431113	Washer	
7	F607373	AC Drive Box Cover	Models starting 8/97
	N/A	AC Drive Box Cover	Models through 8/97; Rectangular
8	F190209P	Lift-Off Hinge	
9	F432231	Screw	
10	F430231	Nut	
11	F431125	Washer	
12	F220900	Filter Retainer Guard	
13	F200318900P	Filter	
14	F8535601	Screw	
15	F160562	Key	Key code GR3800
16	F190802P	Lid Lock	Includes item 15

**N/A = Part no longer available**

# Supply Dispenser



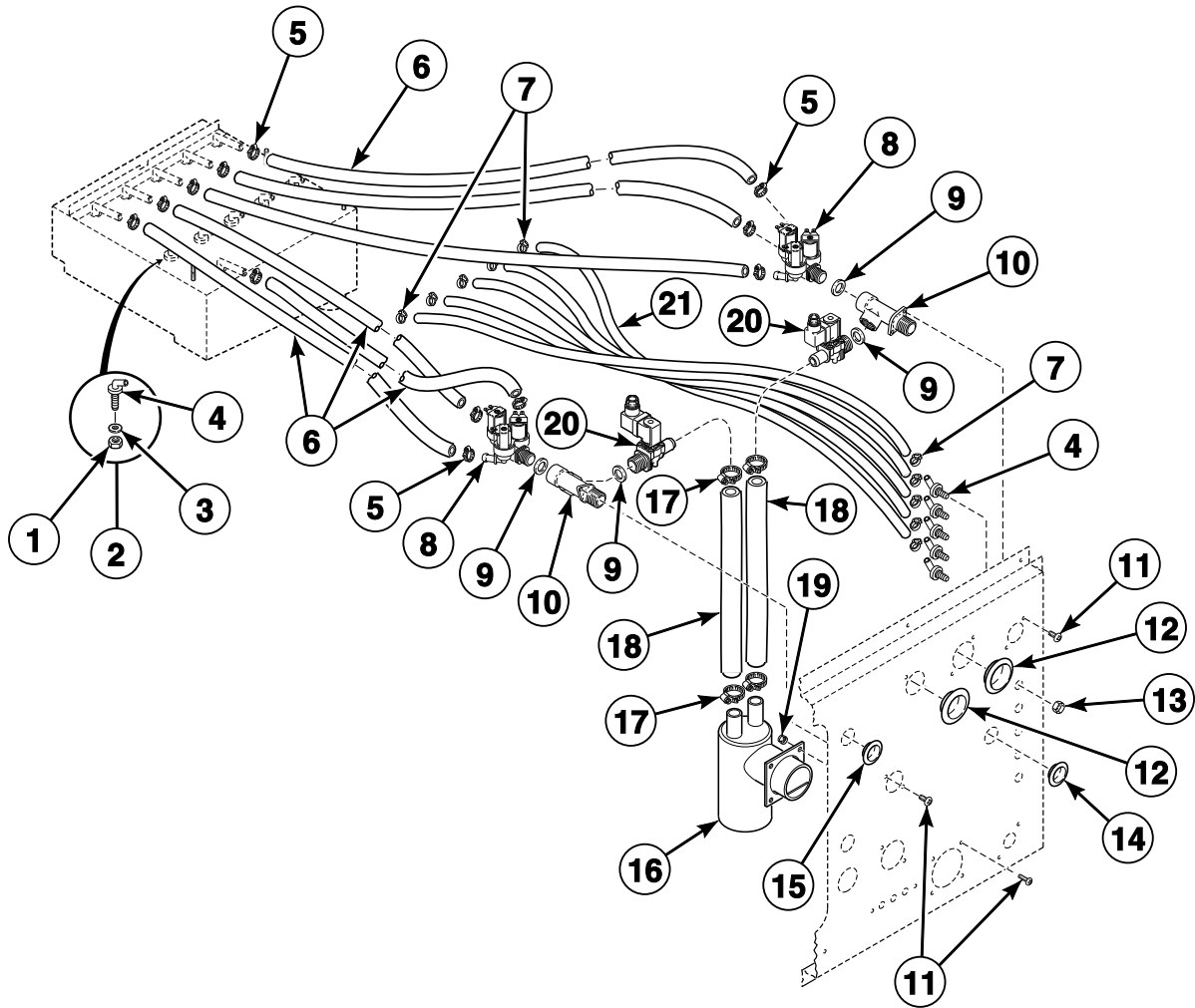
CFS1896P\_F230509

# Supply Dispenser

REF	PART NO.	DESCRIPTION	COMMENTS
	F749002	Supply Dispenser Kit	Models BF35PV, SF35PV and UF35PV; Includes items 1, 4-8, 10, 17, 18, 20-22 and 24
	F749003	Supply Dispenser Kit	Models BF50PV, SF50PV and UF50PV; Includes items 1, 4-8, 10, 17, 18, 20-22 and 24
	N/A	Supply Dispenser Kit	Models BF85PV, SF85PV and UF85PV; Includes items 1, 4-8, 10, 17, 18, 20-22 and 24
<b>1</b>	F607022-2	Supply Dispenser Weldment	Models BF35PV, SF35PV and UF35PV
	F606048	Supply Dispenser Assembly	Models BF50PV, SF50PV and UF50PV
	F606048-2	Supply Dispenser Weldment	Models BF50PV, SF50PV and UF50PV; Includes welded supply injector
	F607052-1	Supply Dispenser Weldment	Models BF85PV, SF85PV and UF85PV
<b>2</b>	F609663	Dispenser Support Bracket	Short
<b>3</b>	F430939	Screw	
<b>4</b>	F431024	Nut	
<b>5</b>	F8322001	Injection Nozzle	
	F730168	Injection Nozzle Kit	Includes items 8 and 10
<b>6</b>	F609664	Dispenser Support Bracket	Long
<b>7</b>	F431105	Washer	
<b>8</b>	F170208	O-Ring	
<b>9</b>	F190202P	Lift-Off Hinge	Left
<b>10</b>	802292	Nut	
<b>11</b>	F432229	Screw	
<b>12</b>	F431108	Washer	
<b>13</b>	F190205P	Lift-Off Hinge	Right
<b>14</b>	F431005	Nut	
<b>15</b>	F430179	Screw	
<b>16</b>	F606729	Gasket Cover	Models BF35PV, SF35PV and UF35PV
	F606323	Gasket Cover	Models BF50PV, SF50PV and UF50PV
	N/A	Gasket Cover	Models BF85PV, SF85PV and UF85PV
<b>17</b>	F606804	Supply Dispenser Gasket	Models BF35PV, BF50PV, SF35PV, SF50PV, UF35PV and UF50PV
	F607060	Supply Dispenser Gasket	Models BF85PV, SF85PV and UF85PV
<b>18</b>	F607026	Supply Dispenser Cover Weldment	Models BF35PV, SF35PV and UF35PV
	F606324	Supply Dispenser Cover Weldment	Models BF50PV, SF50PV and UF50PV
	F749801	Dispenser Cover Kit	Models BF85PV, SF85PV and UF85PV
<b>19</b>	F230806	Logo Decal	Models BF35PV, UF35PV, UF50PV and UF85PV; Oval
	N/A	Logo Decal	Models BF35PV, SF35PV, SF50PV and SF85PV; Rectangular
<b>20</b>	F431000	Nut	
<b>21</b>	F606612	Screw	
<b>22</b>	F606607	Supply Dispenser Latch	
<b>23</b>	F150368	Supply Dispenser Cup	Small; Models BF35PV, SF35PV and UF35PV use 5; Models BF50PV, SF50PV and UF50PV use 3
	F150369	Supply Dispenser Cup	Large; Models BF50PV, SF50PV and UF50PV use 3; Models BF85PV, SF85PV and UF85PV use 5
<b>24</b>	F150390	Siphon Tube	

N/A = Part no longer available

# Fill and Supply System - Models BF35PV, BF50PV, SF35PV, SF50PV, UF35PV and UF50PV

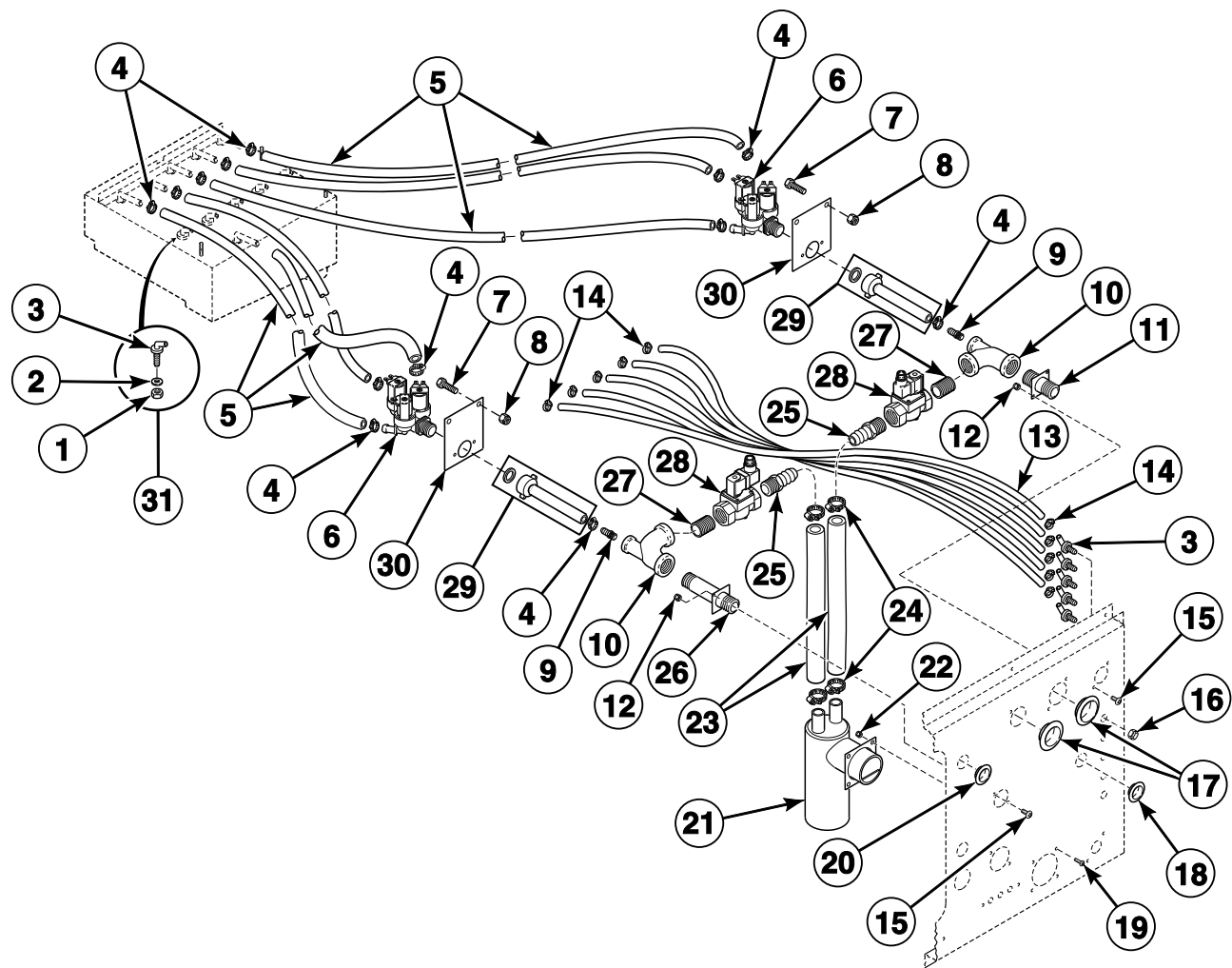


CFS1879P\_F230509

## Fill and Supply System - Models BF35PV, BF50PV, SF35PV, SF50PV, UF35PV and UF50PV

REF	PART NO.	DESCRIPTION	COMMENTS
1	F431001	Nut	
2	F730168	Injection Nozzle Kit	Includes items 1, 3 and 4
3	F431131	Washer	
4	F8322001	Injection Nozzle	
5	36801	Hose Clamp	No. 8
6	F200199P	Water Hose	
7	F200217	Hose Clamp	No. 7
8	F380951P	3-Way Valve	Mueller
	F381725P	3-Way Valve	Elbi
9	20290	Washer	
10	F150246	Water Connection Inlet Manifold	Standard thread
	F150247	Water Connection Inlet Manifold	Metric thread
11	F430909	Screw	
12	F180502	Button Plug	
13	802292	Nut	
14	F180485	Cap Plug	
15	F180505	Rocker Plug	
16	F606031	Vacuum Breaker Weldment	
17	F200222	Hose Clamp	No. 12
18	F200128P	Water Hose	
19	F430232	Nut	
20	F8322909P	Valve	Parker; Models BF35PV, SF35PV and UF35PV; Models starting 5/99; F380993P Valve Repair Kit
	F380953P	1-Way Valve	Mueller; Models BF35PV, SF35PV and UF35PV; Models through 5/99; F380939 Valve Repair Kit
	F8322806	Valve	Parker; Models BF50PV, SF50PV and UF50PV; Models starting 5/99; F380991P Water Valve Repair Kit
	F380763P	1-Way Valve	Mueller; Models BF50PV, SF50PV and UF50PV; Models through 5/99; F380941 Valve Repair Kit
21	F200168P	Tubing	Sold per foot

# Fill and Supply System - Models BF85PV, SF85PV and UF85PV



CFS1880P\_F230509

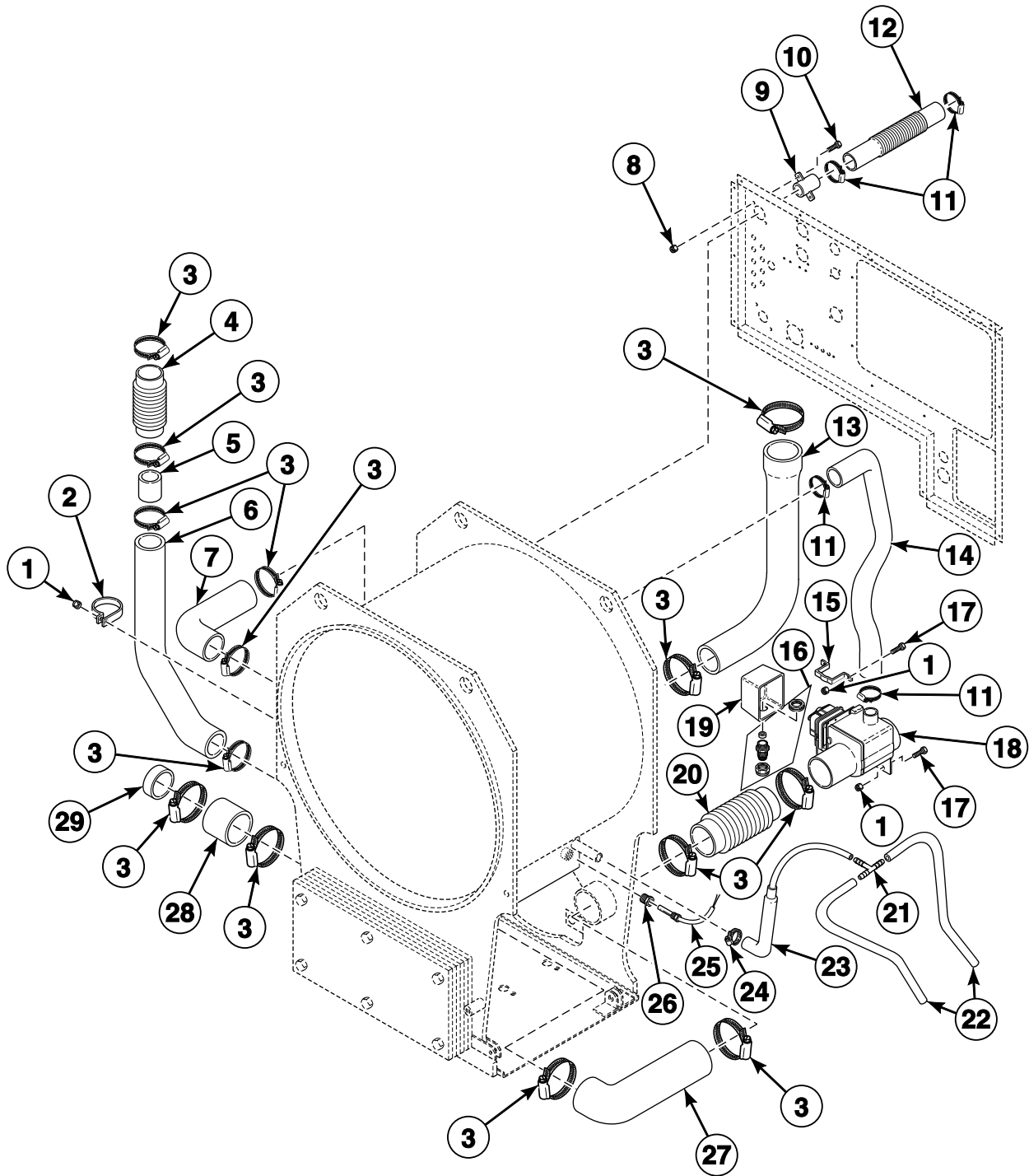


## Fill and Supply System - Models BF85PV, SF85PV and UF85PV

REF	PART NO.	DESCRIPTION	COMMENTS
1	F431001	Nut	
2	F170208	O-Ring	
3	F8322001	Injection Nozzle	
4	36801	Hose Clamp	No. 8
5	F200199P	Water Hose	
6	F381725P	3-Way Valve	
7	F430179	Screw	
8	685846	Nut	
9	F421964	Hose Barb	
10	F420415	Tee	
11	N/A	Nipple Weldment	Standard thread
	F609279	Nipple Weldment	Metric thread
12	F430215	Nut	
13	F200168P	Tubing	
14	F200217	Hose Clamp	No. 7
15	F430925	Screw	
16	802292	Nut	
17	F180486	Cap Plug	
18	F180507	Cap Plug	
19	F430909	Screw	
20	F180505	Rocker Plug	
21	F607489	Vacuum Breaker Weldment	
22	F430232	Nut	
23	F200155P	Hose	
24	F200222	Hose Clamp	No. 12
25	F421952	Hose Barb	
26	F607532	Nipple Weldment	
27	F420118	Nipple	
28	F381727P	Valve	F0381007P Water Valve Repair Kit
29	F200509	Water Hose	
30	F607518	Supply Valve Plate	
31	F730168	Injection Nozzle Kit	Includes items 1-3

**N/A = Part no longer available**

# Hoses and Drain System



CFS1947P\_F230509

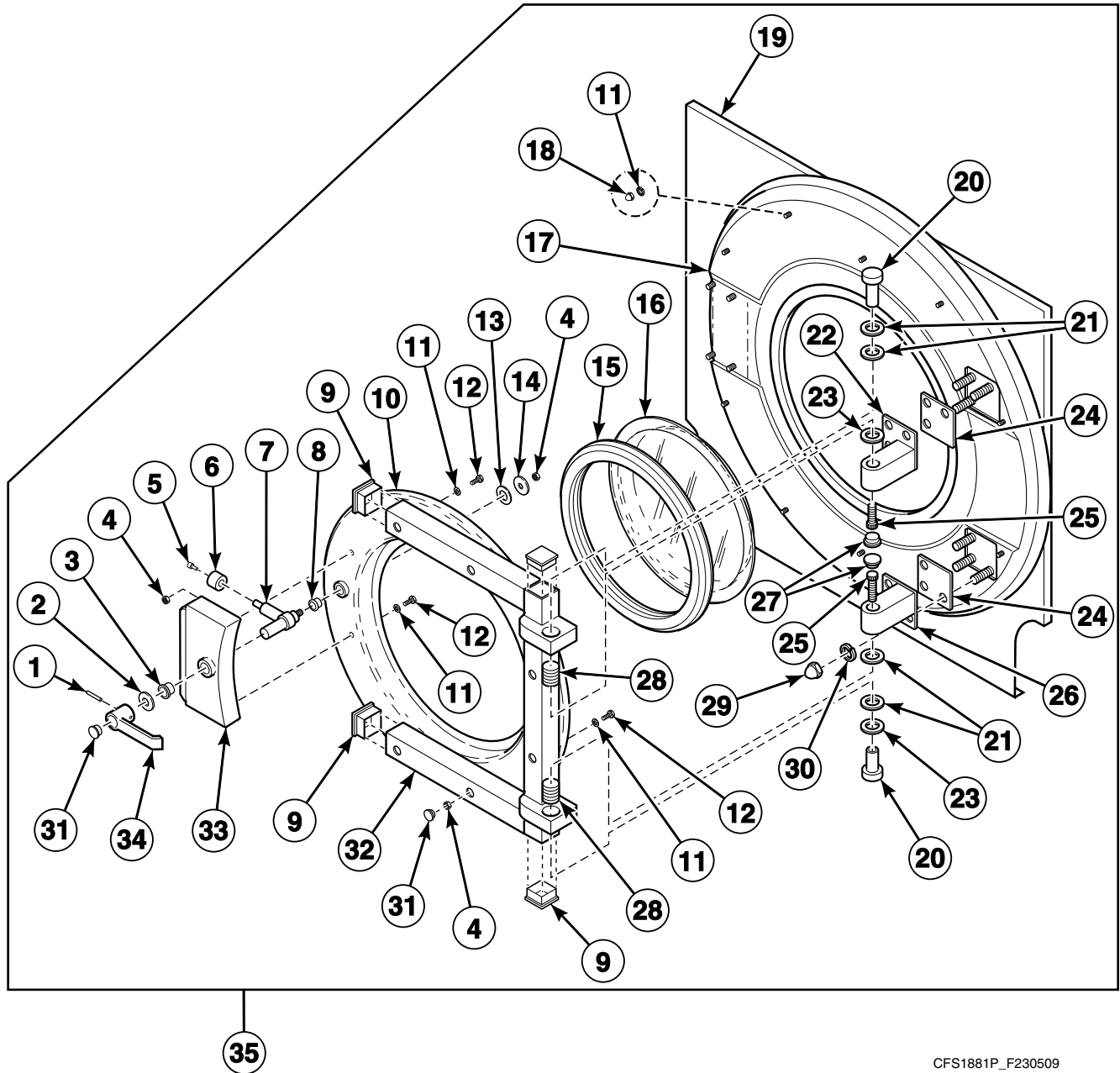
## Hoses and Drain System

REF	PART NO.	DESCRIPTION	COMMENTS
1	F430215	Nut	
2	F140645	Cable Clamp	
3	F200213	Hose Clamp	No. 40
4	F200171	Supply Hose	Models BF35PV, BF50PV, SF35PV, SF50PV, UF35PV and UF50PV; Upper
	F150415	Supply Hose	Models BF85PV, SF85PV and UF85PV; Upper
5	F602794-1	Tubing	
6	F200172	Supply Hose	Lower
7	F200175	Fill Hose	Lower
8	F431024	Nut	
9	F422517	Vent Nipple	
10	F430925	Screw	
11	F200215	Hose Clamp	No. 28
12	F200170	Vent Hose	
13	F200173	Fill Hose	Upper
14	F150377	Overflow Hose	Models BF35PV, BF50PV, SF35PV, SF50PV, UF35PV and UF50PV
	F150394	Overflow Hose	Models BF85PV, SF85PV and UF85PV
15	F606647	Drain Support Bracket	
16	F140329	Strain Relief Connector	PG13.5
17	F430103	Screw	
18	F8406304	Drain Valve	
19	F380946	Drain Motor Cover	
20	F200169	Drain Hose	Models BF35PV, BF50PV, SF35PV, SF50PV, UF35PV and UF50PV
	F150395	Hose	Models BF85PV, SF85PV and UF85PV
21	F422806	Tee	
22	F422404P	Tubing	
23	F020014200	Air Trap Hose	Models BF35PV, BF50PV, SF35PV, SF50PV, UF35PV and UF50PV
	F200163	Air Trap Hose	Models BF85PV, SF85PV and UF85PV
24	F200222	Hose Clamp	No. 12
25	F370606P	Temperature Probe	
26	F421936	Reducer Bushing	Models through 1995
27	F150356	Drain Hose	Models BF35PV, BF50PV, SF35PV, SF50PV, UF35PV and UF50PV
	F150411	Drain Hose	Models BF85PV, SF85PV and UF85PV
28	F607461	Plug Hose	
29	N/A	Sump Plug Weldment	

N/A = Part no longer available

# Door Assembly - Models BF35PV, SF35PV and UF35PV

New Style; Models Starting 9/97



CFS1881P\_F230509

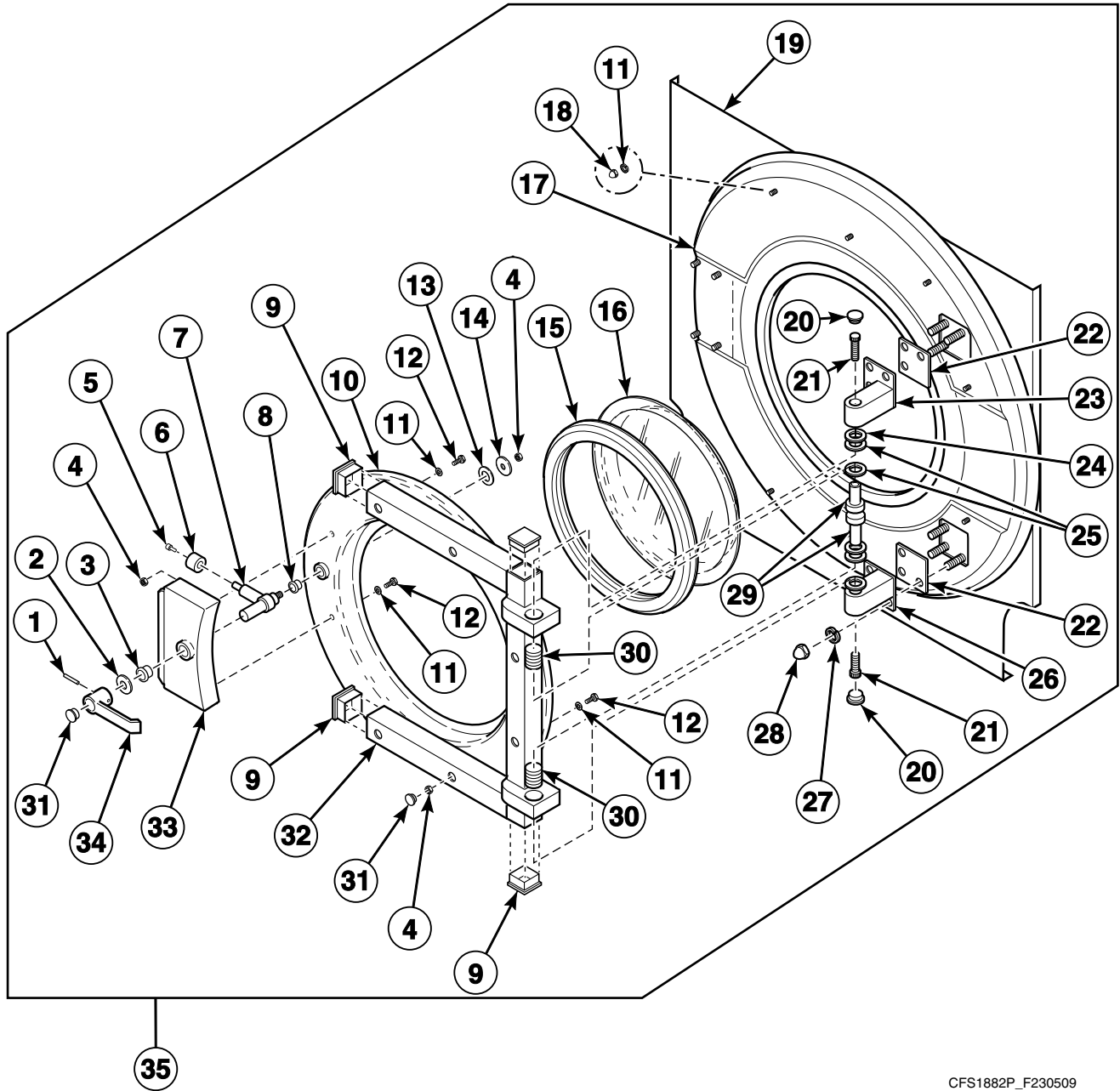
## Door Assembly - Models BF35PV, SF35PV and UF35PV

REF	PART NO.	DESCRIPTION	COMMENTS
1	F431222	Spring Pin	
2	F431907	Washer	
3	F280253	Bushing	
4	F431024	Nut	
5	F340502P	Switch Magnet	
6	F100145	Follower Cam	
7	F608536	Pivot Lock Weldment	
	F746503	Door Lock Pivot Kit	Includes items 1-6, 8, 13 and 14
8	F280252	Bushing	
9	F190308	Cap Plug	1 1/2 inch; 4 per door
10	F634002	Door Weldment	
11	F431100	Washer	
12	F430923	Screw	
13	F431143	Washer	
14	F431142	Washer	
15	F170123	Door Gasket	
16	F8485301P	Door Glass	
17	F633684P	Shell Front Weldment	
18	F8549401	Nut	
19	F607036	Shell Front Cover	
20	F432306	Hinge Pin	
21	F431934	Washer	
22	F0150281-00	Upper Hinge Base	
23	F431933	Washer	
24	F631662	Hinge Shim	3 per hinge
25	F432285	Screw	
26	F0150282-00	Lower Hinge Base	
27	F190309	Cap Plug	7/8 inch; 2 per door
28	F280293	Bearing Sleeve	
29	F431047	Nut	
30	F431001	Nut	
31	F140563	Plug	7 per door
32	F633944	Hinge Door Weldment	
33	F631670	Door Support Bracket Weldment	
34	F150225	Door Handle	
35	N/A	Door Retro Kit	Includes items 1-34, F791001 Shell Band Fastener Kit, F230806 Logo Decal, F170125P Shell Band Seal, and F410102 Clear Sealant
	F634027	Door Hinge Assembly	Includes items 1-34 and F230806 Logo Decal

**N/A = Part no longer available**

# Door Assembly - Models BF50PV, SF50PV and UF50PV

New Style; Models Starting 9/97



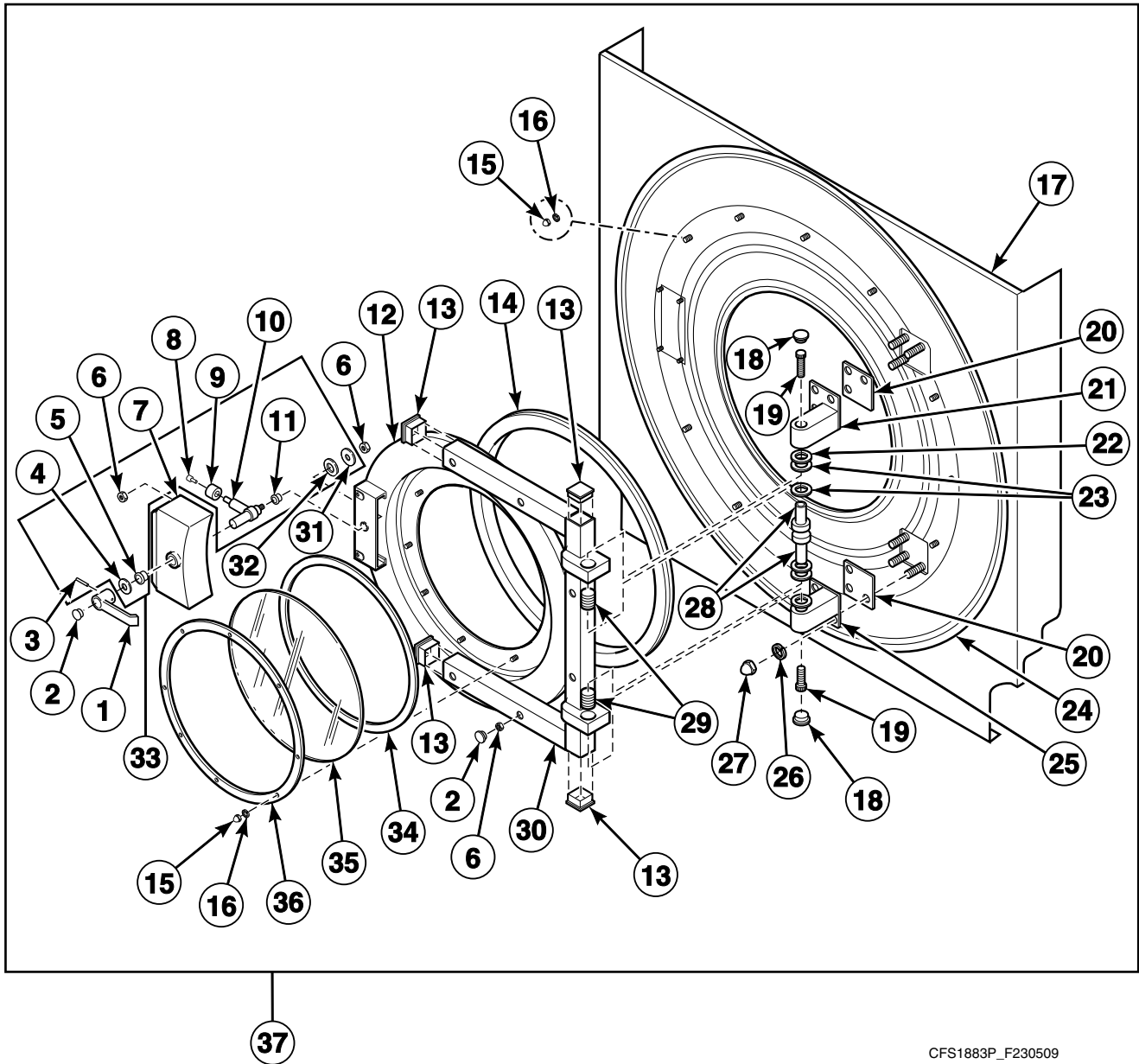
CFS1882P\_F230509

## Door Assembly - Models BF50PV, SF50PV and UF50PV

REF	PART NO.	DESCRIPTION	COMMENTS
1	F431222	Spring Pin	
2	F431907	Washer	
3	F280253	Bushing	
4	F431024	Nut	
5	F340502P	Switch Magnet	
6	F100145	Follower Cam	
7	F608536	Pivot Lock Weldment	
	F746503	Door Lock Pivot Kit	Includes items 1-6, 8, 13 and 14
8	F280252	Bushing	
9	F190308	Cap Plug	1 1/2 inch
10	F633843	Door Weldment	
11	F431100	Washer	
12	F430923	Screw	
13	F431143	Washer	
14	F431142	Washer	
15	F170124	Door Gasket	
16	F8485401P	Door Glass	
17	F631651P	Shell Front Weldment	
18	F8549401	Nut	
19	F606539P	Shell Front Cover	
20	F190309	Cap Plug	7/8 inch
21	F432285	Screw	
22	F631662	Hinge Shim	
23	F0150281-00	Upper Hinge Base	
24	F431933	Washer	
25	F431934	Washer	
26	F0150282-00	Lower Hinge Base	
27	F431001	Nut	
28	F431047	Nut	
29	F432306	Hinge Pin	
30	F280293	Bearing Sleeve	
31	F140563	Plug	
32	F633746	Door Hinge Weldment	
33	F631670	Door Support Bracket Weldment	
34	F150225	Door Handle	
35	F746007-02P	Door Retro Kit	Includes items 1-34, F230806 Logo Decal, F170125P Shell Band Seal and F410102 Clear Sealant
	F633978	Door Hinge Assembly	Includes items 1-34 and F230806 Logo Decal

# Door Assembly - Models BF85PV, SF85PV and UF85PV

New Style; Models Starting 9/97



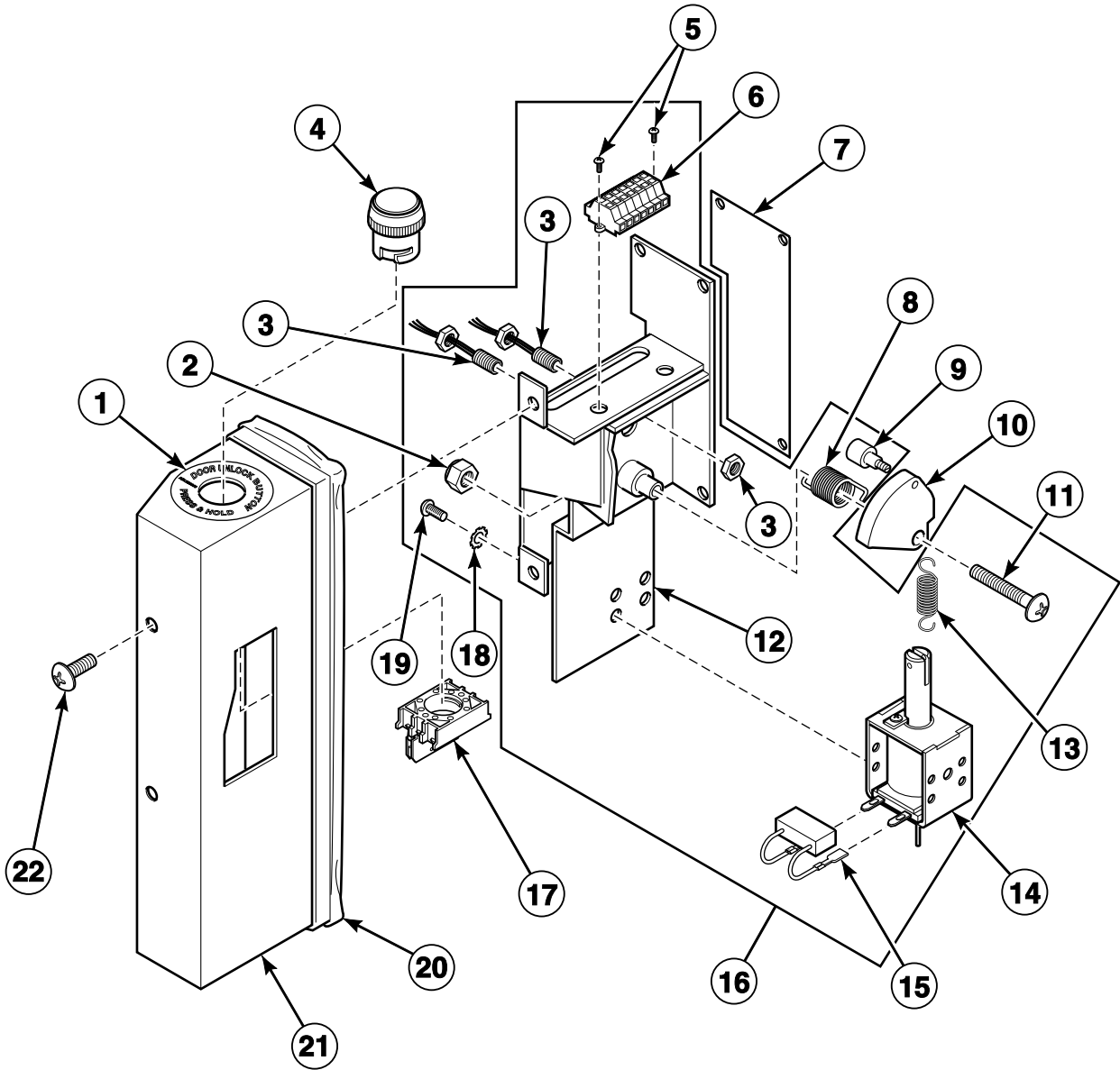
CFS1883P\_F230509



## Door Assembly - Models BF85PV, SF85PV and UF85PV

REF	PART NO.	DESCRIPTION	COMMENTS
1	F150225	Door Handle	
2	F140563	Plug	
3	F431222	Spring Pin	
4	F431907	Washer	
5	F280253	Bushing	
6	F431024	Nut	
7	F633698	Door Support Weldment	
8	F340502P	Switch Magnet	
9	F100145	Follower Cam	
10	F608536	Pivot Lock Weldment	
11	F280252	Bushing	
12	F633692	Door Weldment	
13	F190308	Cap Plug	1 1/2 inch
14	F8434803	Door Gasket	
15	F8549401	Nut	
16	F431100	Washer	
17	F607386	Shell Front Cover	
18	F190309	Cap Plug	7/8 inch
19	F432285	Screw	
20	F631662	Hinge Shim	
21	F0150285-00	Upper Hinge Base	
22	F431933	Washer	
23	F431934	Washer	
24	F631650P	Shell Front Weldment	
25	F0150286-00	Lower Hinge Base	
26	F431036	Nut	
27	F431047	Nut	
28	F432306	Hinge Pin	
29	F280293	Bearing Sleeve	
30	F633746	Door Hinge Weldment	
31	F431142	Washer	
32	F431143	Washer	
33	F746503	Door Lock Pivot Kit	Includes items 3-6, 8-11, 14, 31 and 32
34	F170117	Door Glass Gasket	
35	F290201P	Glass	
36	F601239	Door Glass Retainer	
37	F746008-02P	Door Retro Kit	Includes items 1-36, F230806 Logo Decal, F170120RP Shell Band Gasket and F410102 Clear Sealant

# Door Lock



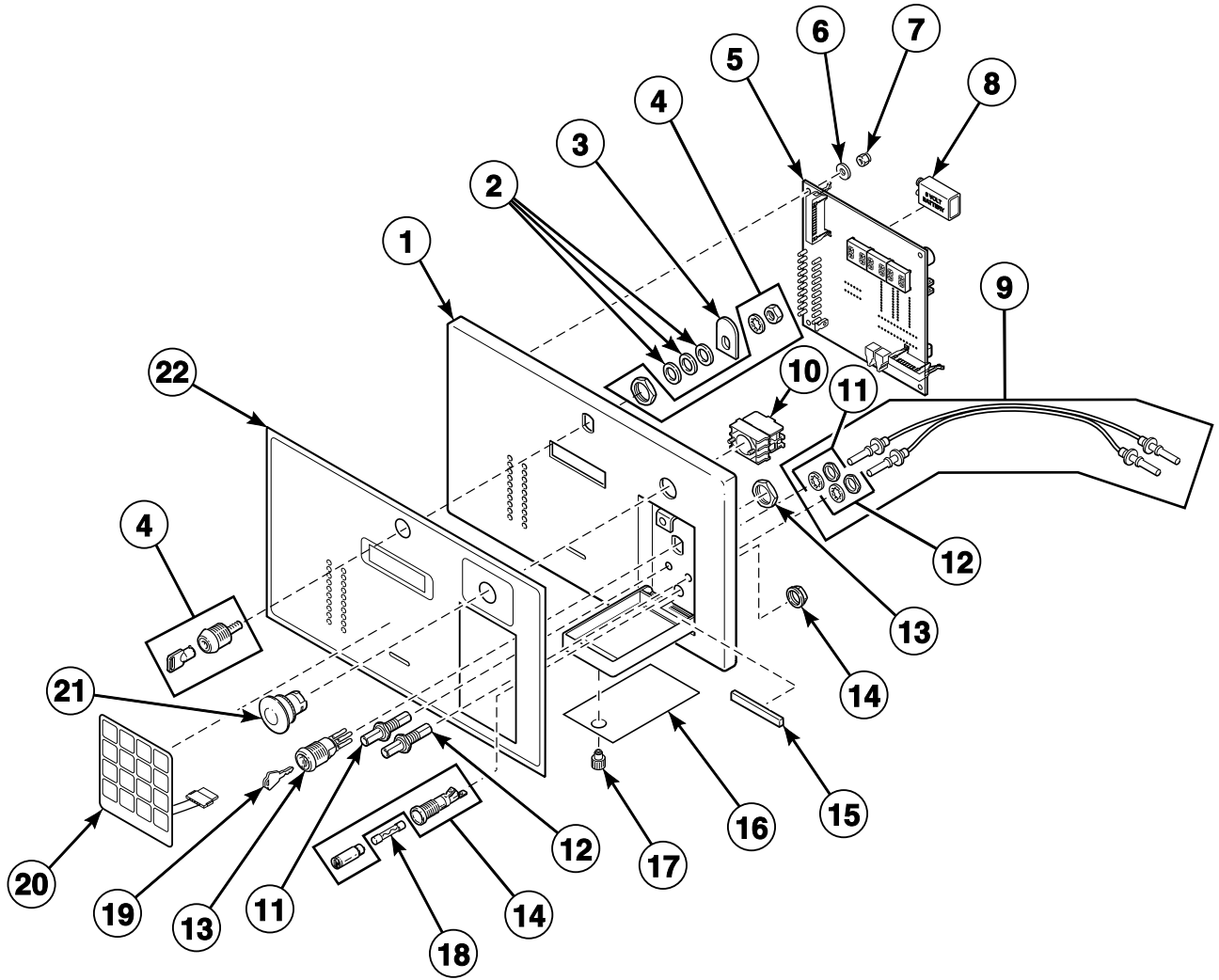
CFS1476P\_F230509

# Door Lock

REF	PART NO.	DESCRIPTION	COMMENTS
1	F230816	Door Unlock Decal	
2	F431024	Nut	
3	F340503P	Hall Effect Sensor Switch	
4	N/A	Momentary Pushbutton	800E-series
	F8069902P	Button Kit	Used to convert from 800E-series to 800F-series; Includes F8069501 Contact Switch, F8538101 Contact Base and F8069602 Momentary Pushbutton
	F8069602	Momentary Pushbutton	800F-series
5	F430928	Screw	
6	F140766	Terminal	8 pole
7	F606563	Door Lock Shim	
8	F310133	Door Cam Torsion Spring	
9	F340502P	Switch Magnet	
10	F0150518-00	Door Lock Cam	
11	F430921	Screw	
12	F8209801	Door Lock Bracket Weldment	
13	F310107	Spring	
14	F300122P	Intermittent Duty Solenoid	
15	F330217P	RC Network Filter	Includes F140627 Connector and F141022 Connector
16	F730478	Door Lock Kit	Includes items 2, 3, 5, 6, 8, 9, 11-15, 18 and 19
17	F340444	Contact Block and Mounting Switch	800E-series
	F8069501	Contact Switch	800F-series; Requires F8538101 Contact Base
18	F431106	Washer	
19	F430995	Screw	
20	F170404	Trim	
21	F8071203	Door Lock Cover Weldment	
22	F430985	Screw	

**N/A = Part no longer available**

# Control Module Front



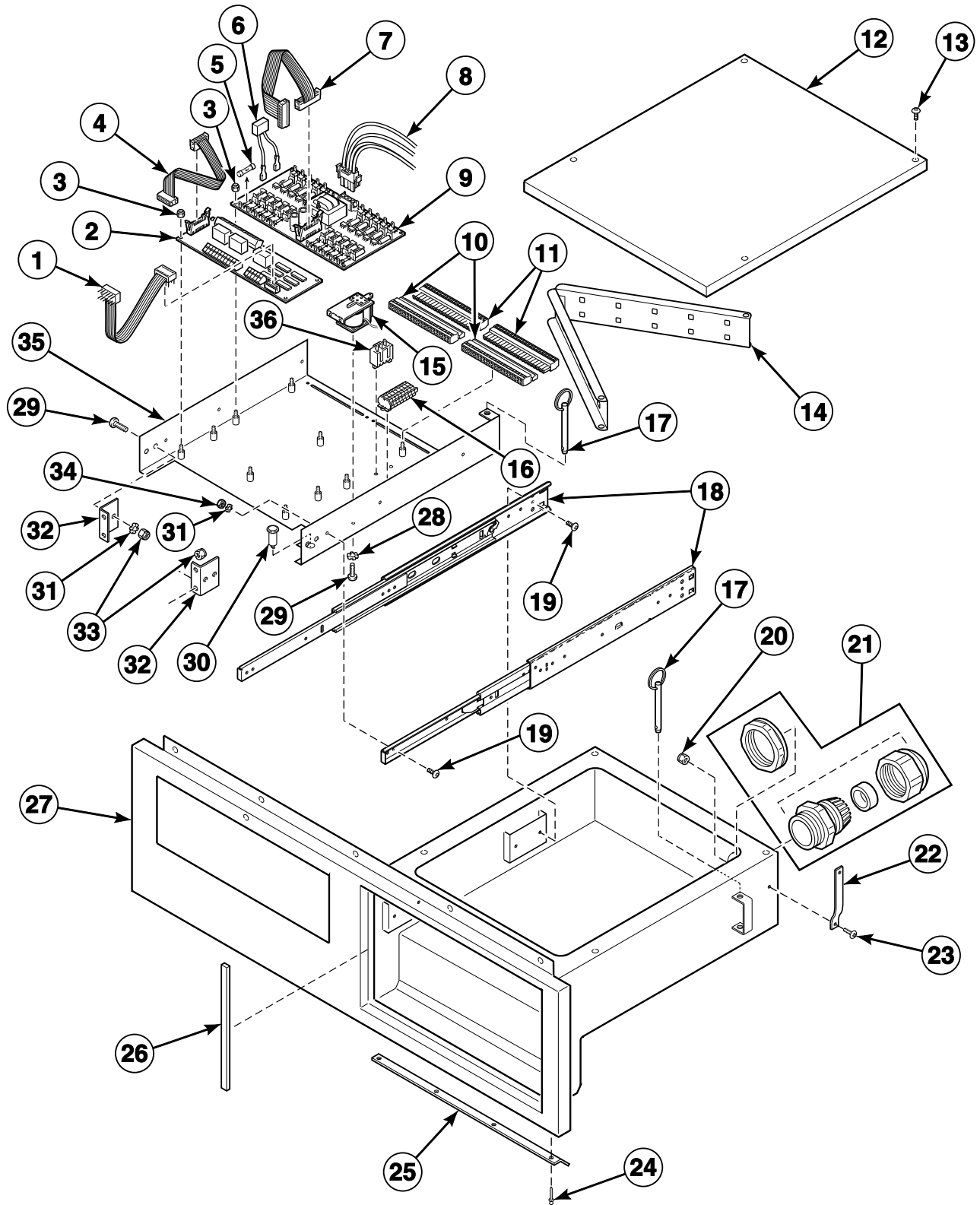
CFS1477P\_F230509

## Control Module Front

REF	PART NO.	DESCRIPTION	COMMENTS
1	F631038	Module Face Weldment	
2	F430317	Washer	
3	F606295	Lock Latch	
4	F190802P	Lid Lock	Includes key
5	F370534-20P	WE-6 Computer	
6	F431113	Washer	
7	F430231	Nut	
8	F191101	Battery	
9	F606682	Cable Assembly	10 inches; Includes items 11 and 12
10	F340445	Contact Block Switch	800E-series; Includes mounting base
	F200299500	Contact Block Switch	800E-series; Does not include mounting base
	F8069501	Contact Switch	800F-series; Requires F8538101 Contact Base
11	F140575P	Connector	Gray
12	F140576P	Connector	Blue
13	F340800P	Keymode Run/Program Switch	
14	F350304P	Fuse Holder	
15	F170128	Sponge Rubber	Order 2 feet
16	F230785	Control and Fuse Decal	
17	F430525	Screw	
18	F350104	Fuse	2 Amp
19	F370709	Program Key	Key code A153
20	F230724P	Keypad Decal	
21	N/A	Emergency Stop Pushbutton	800E-series
	F200233700P	Emergency Stop Button Kit	Used to convert from 800E-series to 800F-series; Includes F8069501 Contact Switch, F8538101 Contact Base and F200233500 Emergency Stop Pushbutton
	F200233500	Emergency Stop Pushbutton	800F-series
22	F230783-2	Control Panel Decal	

N/A = Part no longer available

# Control Module



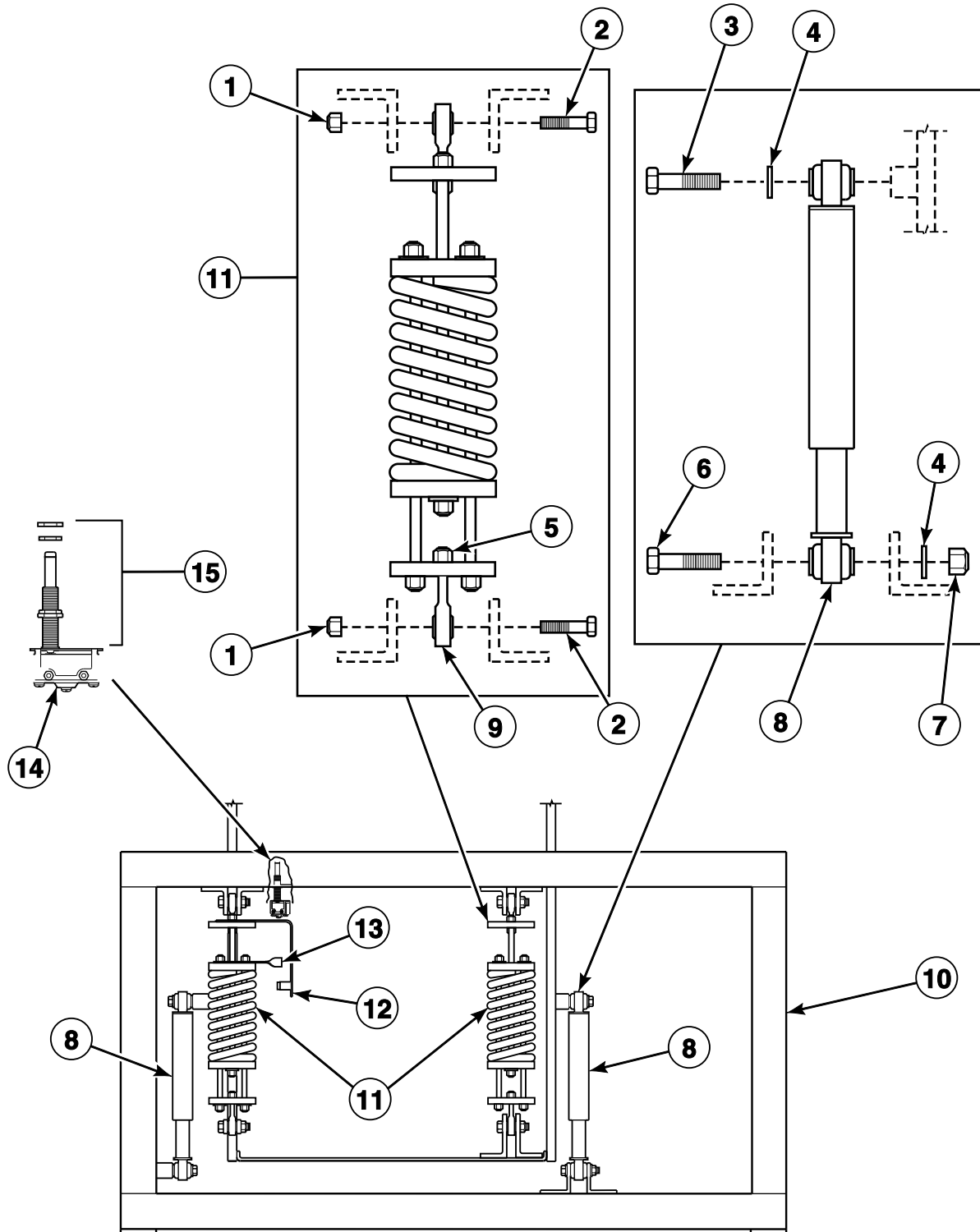
CFS1474P\_F230509

# Control Module

REF	PART NO.	DESCRIPTION	COMMENTS
1	F140223P	Ribbon Cable	8 inch; 16 pin
2	F0370446-21P	WE-6 Interface CCA Kit	Molex plug connections
	F370446-1P	WE-6 Interface CCA Kit	Terminal screw connections
3	F430231	Nut	
4	F140218P	Ribbon Cable	12 inch; 16 pin
5	F350110	Fuse	1 Amp
	F350109	Fuse	.5 Amp
	F350108	Fuse	.125 Amp
6	F330217P	RC Network Filter	Includes F140627 Connector and F141022 Connector
7	F140219P	Ribbon Cable	15 inch; 26 pin
8	F784003P	Jumper Kit	
9	F0370444-10P	Output CCA	
10	F140622	24 Circuit Connector	2 per machine
	F141003	12 Circuit Connector	1 per machine
11	F140623	24 Circuit Connector	2 per machine
	F141002	12 Circuit Connector	1 per machine
12	F606543	Electrical Box Cover	
13	F8535601	Screw	
14	N/A	Cable Guide Weldment	
15	F300203P	Buzzer	120 Volt
16	F140779	Terminal	16 position
17	F430407	Ring-Grip Pin	
18	F190217	Ball Bearing Set Slide	
19	F430920	Screw	
20	F430215	Nut	
21	F140341	Strain Relief Connector	PG36
22	N/A	Electrical Box Support Bracket	
23	F430925	Screw	
24	F432222	Rivet	
25	F170407	Flat Plastic	Models BF35PV, BF50PV, SF35PV, SF50PV, UF35PV and UF50PV
	F170406	Flat Plastic	Models BF85PV, SF85PV and UF85PV
26	F170128	Sponge Rubber	Order 5 feet
27	F608393	Front Panel Weldment	Models BF35PV, SF35PV and UF35PV
	F608396	Front Panel Weldment	Models BF50PV, SF50PV and UF50PV
	F608399	Front Panel Weldment	Models BF85PV, SF85PV and UF85PV
28	F431113	Washer	
29	F430928	Screw	
30	F350412	Light	Red
31	F431108	Washer	
32	F606309	Module Face Bracket	
33	F431017	Nut	
34	685846	Nut	
35	F630251	Electrical Panel Weldment	
36	F330227	Flange Relay	120 Volt; Models BF35PV, BF50PV, SF35PV, SF50PV, UF35PV and UF50PV use 4; Models BF85PV, SF85PV and UF85PV use 5

N/A = Part no longer available

# Suspension System - Models BF35PV, SF35PV and UF35PV



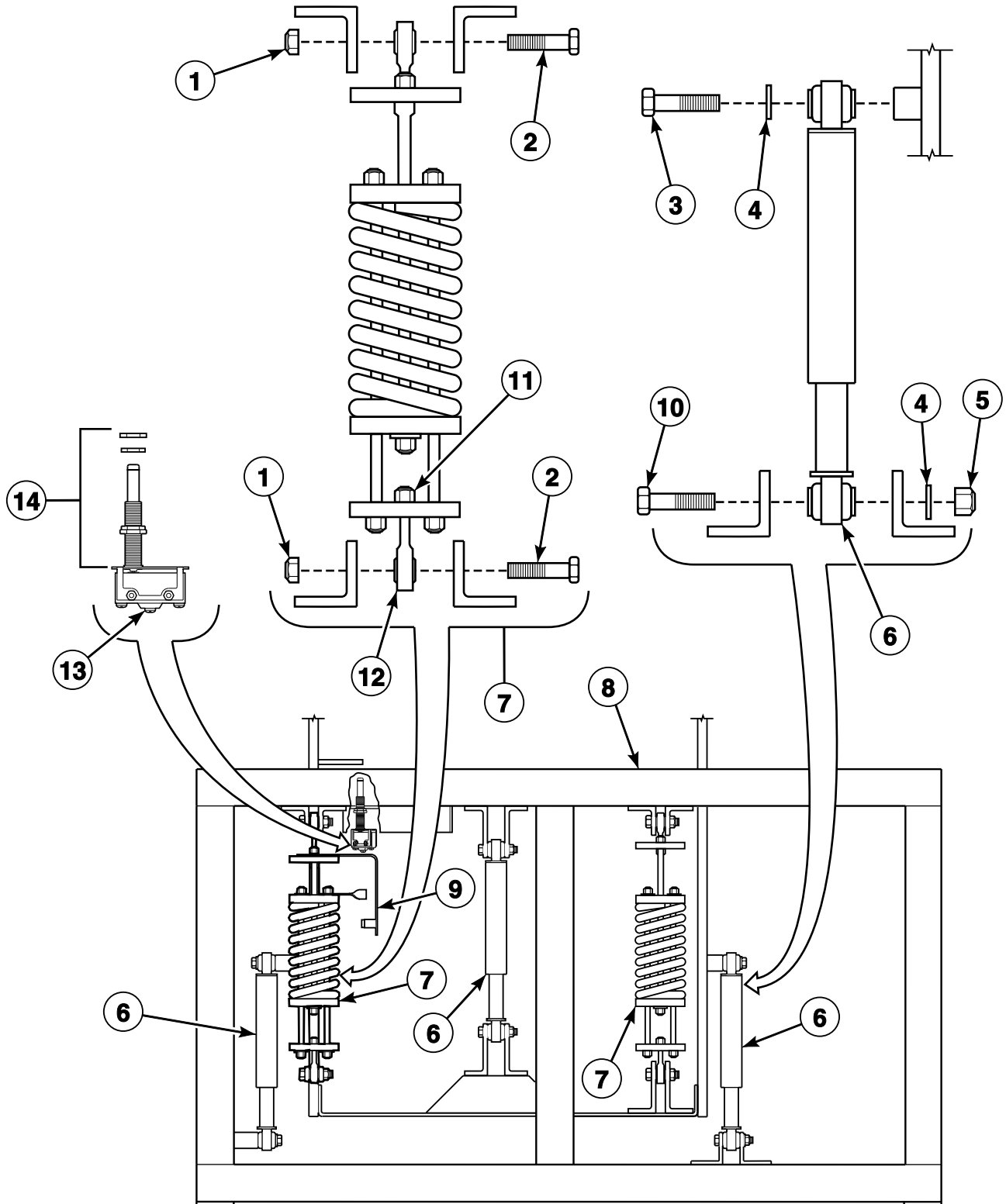
R005PE3D\_F230509



## Suspension System - Models BF35PV, SF35PV and UF35PV

REF	PART NO.	DESCRIPTION	COMMENTS
1	F430218	Nut	
2	F430144	Screw	
3	F430148	Screw	
4	F430332	Washer	
5	F430241	Nut	
6	F430146	Screw	
7	F430228	Nut	
8	F250500	Shock Absorber	4 per machine
9	F100140	Rod End Bearing	
10	F606689	Frame Assembly	
11	F790504	Spring Kit	Includes 1 spring; Includes items 1, 2, 5, 9 and all hardware shown
	F790505	Spring Kit Sub-Assembly	Includes 1 spring and out-of-balance bracket; Includes items 1, 2, 5, 9 and all hardware shown
12	F730438	Out-of-Balance Optical Sensor Kit	
13	F606582	Balance Sensor Bracket	
14	F340901	Switch	
15	F340913	Switch Extension	

# Suspension System - Models BF50PV, SF50PV and UF50PV

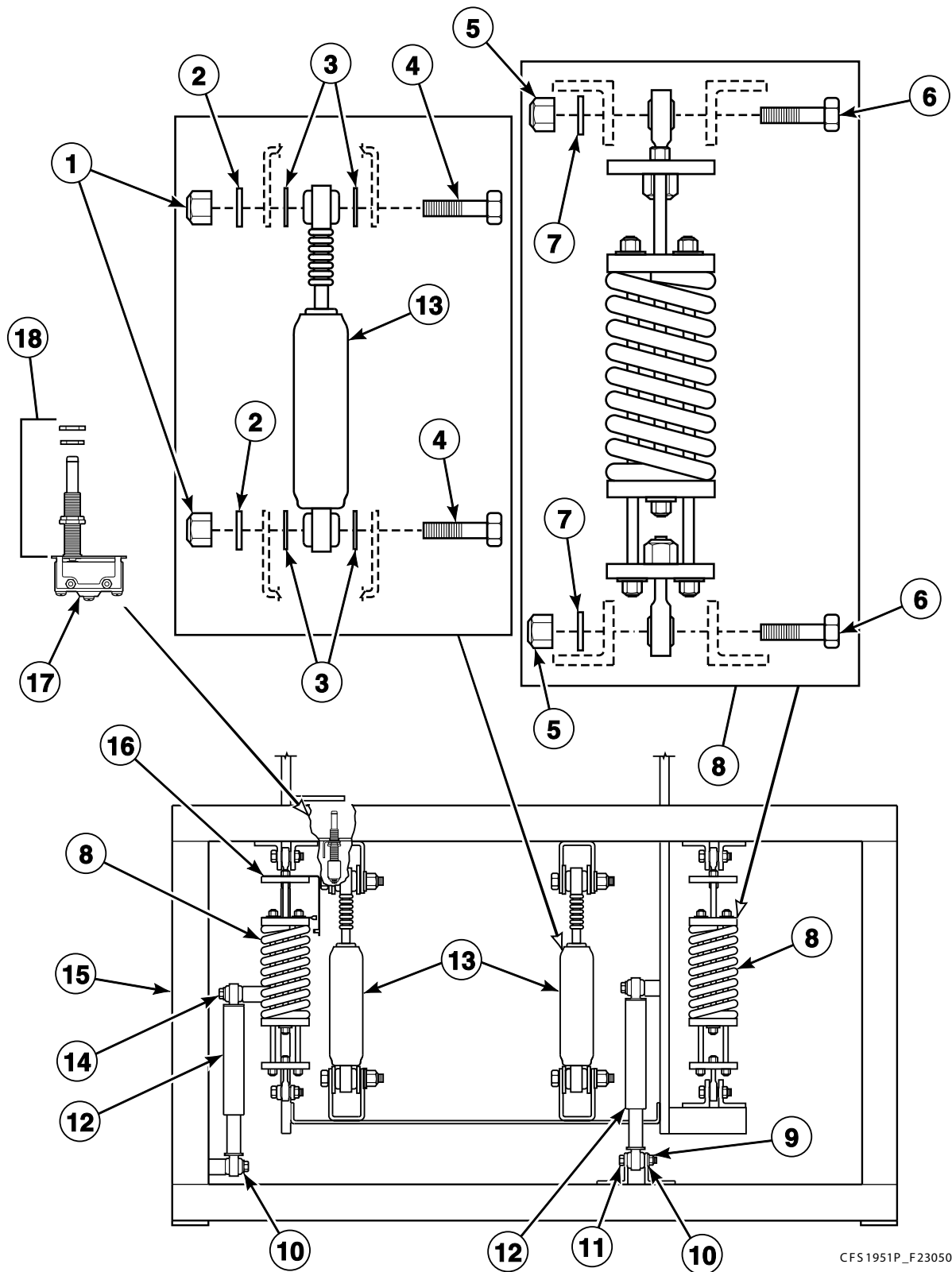


CFS1949P\_F230509

## Suspension System - Models BF50PV, SF50PV and UF50PV

REF	PART NO.	DESCRIPTION	COMMENTS
1	F430218	Nut	
2	F430144	Screw	
3	F430148	Screw	
4	F430332	Washer	
5	F430228	Nut	
6	F250500	Shock Absorber	6 per machine
	F790211	Shocks Set Kit	Includes items 3-6 and 10
7	F790506	Spring Kit	Includes 1 spring
	F790507	Spring Kit Assembly	Includes 1 spring and 1 balance bracket
8	F605911	Frame Assembly	
9	F730438	Out-of-Balance Optical Sensor Kit	
10	F430146	Screw	
11	F430241	Nut	
12	F100140	Rod End Bearing	
13	F340901	Switch	
14	F340913	Switch Extension	

# Suspension System - Models BF85PV, SF85PV and UF85PV

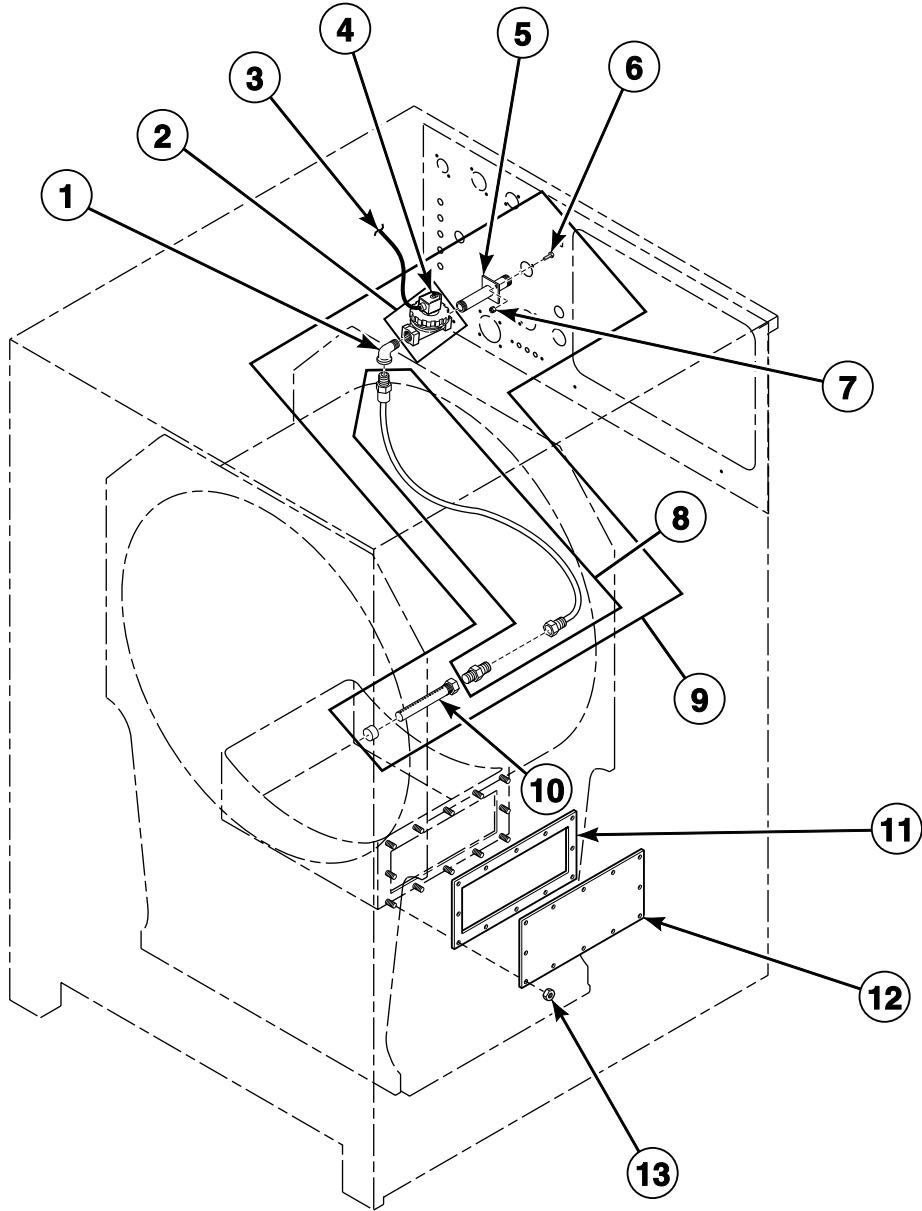


CFS 1951P\_F230509

## Suspension System - Models BF85PV, SF85PV and UF85PV

REF	PART NO.	DESCRIPTION	COMMENTS
1	F430201	Nut	
2	F430325	Washer	
3	F431907	Washer	
4	F430157	Screw	
5	F430239	Nut	
6	F430979	Screw	
7	M400081	Washer	
8	F790502	Spring Kit	Includes 1 spring
	F790503	Spring Assembly Kit	Includes 1 spring and 1 out-of-balance bracket
9	F430228	Nut	
10	F430332	Washer	
11	F430146	Screw	
12	F250500	Shock Absorber	4 per machine
13	F250501	Shock Absorber	4 per machine
14	F430148	Screw	
15	F607313	Frame Assembly	
16	F730438	Out-of-Balance Optical Sensor Kit	
17	F340901	Switch	
18	F340913	Switch Extension	

# Steam Heat Option



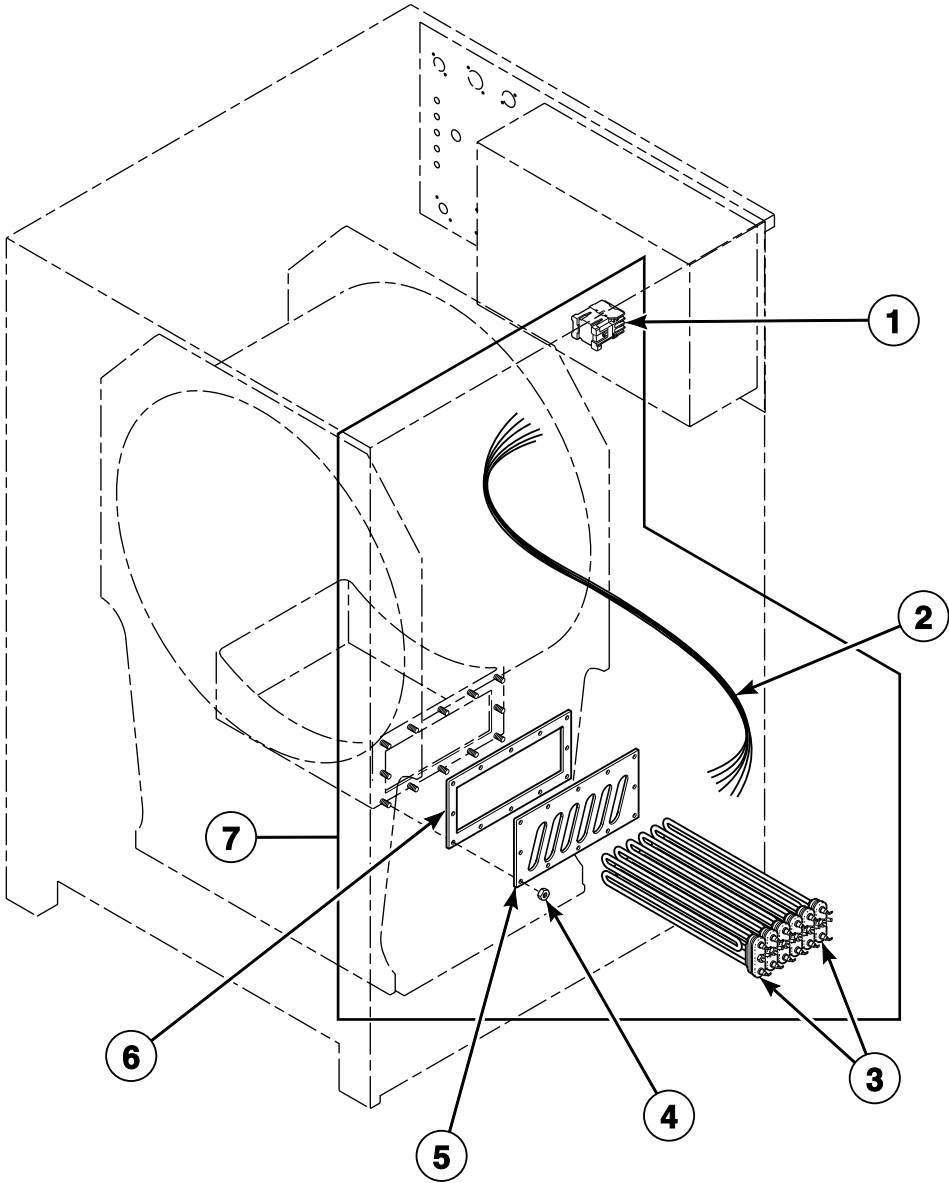
CFS1885P\_F230509

## Steam Heat Option

REF	PART NO.	DESCRIPTION	COMMENTS
1	H86070034	Street Elbow	
2	F8521601	DIN Valve Kit	Includes item 4
	F380984P	Steam Valve Repair Kit	
3	F140227	Cable	Order 10 feet
4	F380986P	DIN Coil	
5	F606575	Steam Connection Weldment	
6	F430925	Screw	
7	F430215	Nut	
8	F200154	Steam Hose	Models BF35PV, BF50PV, SF35PV, SF50PV, UF35PV and UF50PV
	F200153P	Steam Hose	Models BF85PV, SF85PV and UF85PV
	F410300	Pipe Insulation	Models BF85PV, SF85PV and UF85PV
9	F730548	Steam Heat Kit	Includes items 1, 2, 4-8 and 10
10	F8368201	Steam Injector Tube Assembly	
11	N/A	Sump Gasket	Models BF35PV, SF35PV and UF35PV
	F170178	Sump Gasket	Models BF50PV, SF50PV and UF50PV
	F170179	Sump Gasket	Models BF85PV, SF85PV and UF85PV
12	N/A	Standard Plate	Models BF35PV, SF35PV and UF35PV
	F631726	Standard Plate	Models BF50PV, SF50PV and UF50PV
	F631742	Standard Plate	Models BF85PV, SF85PV and UF85PV
	F360202	Heating Element Plug	Optional; Models BF35PV, SF35PV and UF35PV use 6; Models BF50PV, SF50PV and UF50PV use 9; Models BF85PV, SF85PV and UF85PV use 12
13	F431024	Nut	Models BF35PV, BF50PV, SF35PV, SF50PV, UF35PV and UF50PV use 12; Models BF85PV, SF85PV and UF85PV use 14

**N/A = Part no longer available**

# Electric Heat Option



CFS1886P\_F230509

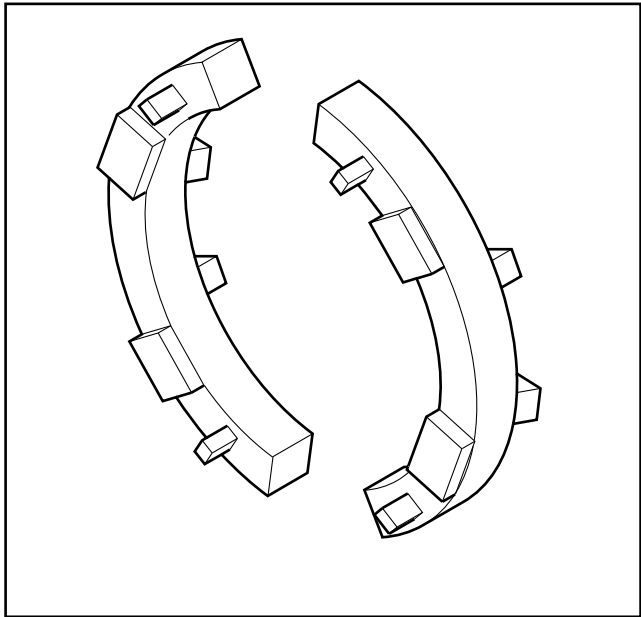


## Electric Heat Option

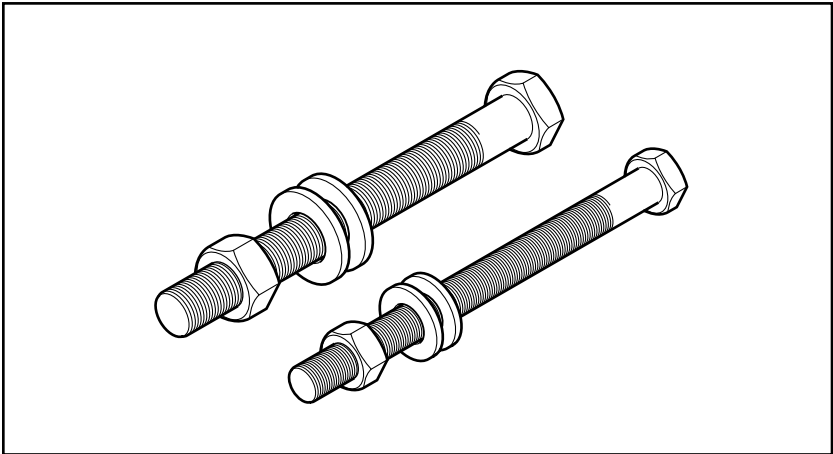
REF	PART NO.	DESCRIPTION	COMMENTS
1	F330187P	Contactora	120 Volt
2	F607745-2	Electric Heat Wire Harness	Models BF35PV, SF35PV and UF35PV
	N/A	Electric Heat Wire Harness	Models SF50PV and UF50PV
	N/A	Electric Heat Wire Harness	Models BF85PV, SF85PV and UF85PV
3	F360205P	Element	240 Volt; Models BF35PV, BF50PV, SF35PV, SF50PV, UF35PV and UF50PV use 6; Models BF85PV, SF85PV and UF85PV use 12
4	F431024	Nut	Models BF35PV, BF50PV, SF35PV, SF50PV, UF35PV and UF50PV use 12; Models BF85PV, SF85PV and UF85PV use 14
5	F631457	Element Plate	Models BF35PV, SF35PV and UF35PV
	F631702	Element Plate	Models BF50PV, SF50PV and UF50PV
	F631740	Element Plate	Models BF85PV, SF85PV and UF85PV
6	N/A	Sump Gasket	Models BF35PV, SF35PV and UF35PV
	F170178	Sump Gasket	Models BF50PV, SF50PV and UF50PV
	F170179	Sump Gasket	Models BF85PV, SF85PV and UF85PV
7	N/A	Electric Heat Kit	Models BF35PV, SF35PV and UF35PV; 400 Volt; Includes items 1-6
	N/A	Electric Heat Kit	Models BF50PV, SF50PV and UF50PV; 400 Volt; Includes items 1-6
	N/A	Electric Heat Kit	Models BF85PV, SF85PV and UF85PV; 400 Volt; Includes items 1-6

**N/A = Part no longer available**

# Special Tools



1



2

CFS1939P\_F230509

# Special Tools

REF	PART NO.	DESCRIPTION	COMMENTS
1	F608741	Pulley Puller Weldment	
2	F798004	Pulley Insertion Tool Kit	

# Motor Manufacturer's Part Number on the Motor's Nameplate

**F220214 U**



Motor  
Manufacturer  
Part No.  
668094

PHM2599P

**F220434**

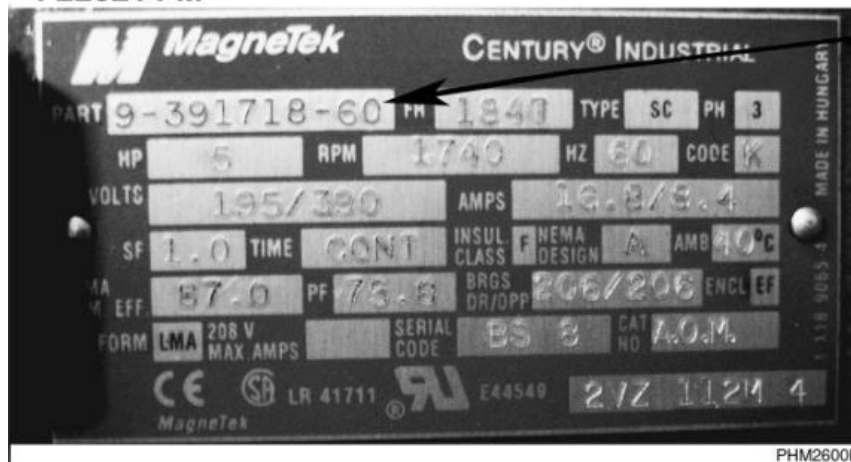


Motor  
Manufacturer  
Part No.  
7965

PHM2365P

# Motor Manufacturer's Part Number on the Motor's Nameplate

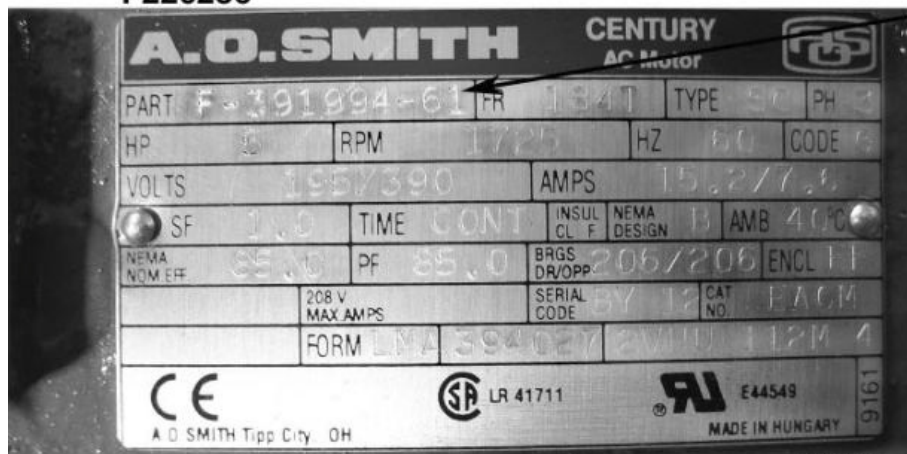
F220214 M



Motor  
Manufacturer  
Part No.  
9-391718-60

PHM2600P

F220236

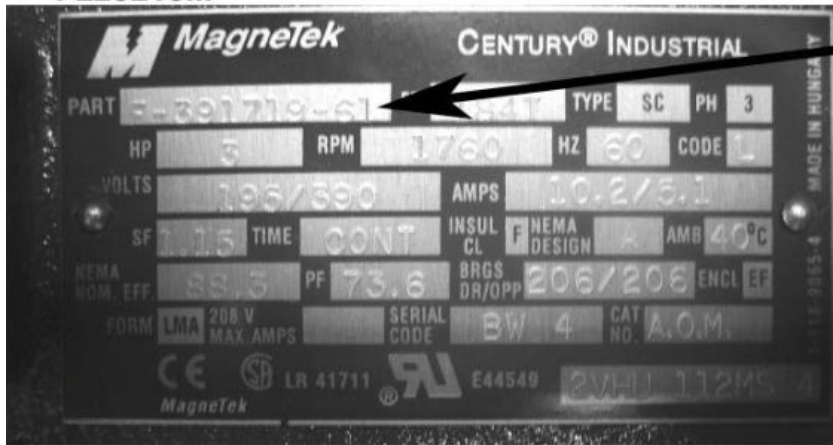


Motor  
Manufacturer  
Part No.  
F-391994-61

PHM2364P

# Motor Manufacturer's Part Number on the Motor's Nameplate

F220215M



Motor  
Manufacturer  
Part No.  
F-391719-61

PHM2362P

F220215U



Motor  
Manufacturer  
Part No.  
G63653

PHM2363P

# Parts Index

## A

AC Drive Box Assembly	
F634605 .....	17
AC Drive Box Cover	
F607373 .....	33
F631741 .....	31
AC Drive Caution Decal	
F231416 .....	17
AC Drive Retrofit Kit, 1305 to 160-Series	
F079902101 .....	21
Air Duct Assembly	
F635257 .....	17
Air Trap Hose	
F020014200 .....	41
F200163 .....	41

## B

Balance Sensor Bracket	
F606582 .....	55
Ball Bearing Set Slide	
F190217 .....	53
Basket Assembly	
F605822 .....	13
F606693 .....	13
F607248 .....	13
Basket Pulley	
F150245 .....	11
F150253 .....	11
Basket Pulley Assembly	
F150256 .....	11
F150264 .....	11
F150280 .....	11
Battery	
F191101 .....	51
Bearing Sleeve	
F280293 .....	43, 45, 47
Belt	
F0280378-00 .....	11
F280357 .....	11
F280361 .....	11
F280362 .....	11
F280363 .....	11
Bolt	
F430952 .....	11
Bushing	
F280233P .....	13
F280252 .....	43, 45, 47
F280253 .....	43, 45, 47
Button Kit	
F8069902P .....	49
Button Plug	
F180502 .....	37
Buzzer	
F300203P .....	53

## C

Cable	
F140227 .....	61
Cable Assembly	
F606682 .....	51
Cable Clamp	
F140645 .....	41
Cap Plug	
F180485 .....	17, 29, 37
F180486 .....	17, 29, 39
F180507 .....	17, 39
F190308 .....	43, 45, 47
F190309 .....	43, 45, 47
Capacitor Module	
F370236P .....	17
F370237 .....	17
Circuit Breaker	
C000302P .....	17, 29
F350202P .....	17, 29
Cold Water Decal	
F230857 .....	5
Connector	
F140575P .....	51
F140576P .....	51
Connector, 12 Circuit	
F141002 .....	53
F141003 .....	53
Connector, 24 Circuit	
F140622 .....	53
F140623 .....	53
Contact Block and Mounting Switch	
F340444 .....	49
Contact Block Switch	
F200299500 .....	51
F340445 .....	51
Contact Switch	
F8069501 .....	49, 51
Contacto	
F330175P .....	17
F330178P .....	29
F330187P .....	63
Control and Fuse Decal	
F230785 .....	51
Control Panel Decal	
F230783-2 .....	51

## D

DIN Coil	
F380986P .....	61
DIN Valve Kit	
F8521601 .....	61
Disconnect Power Warning Label	
D505281 .....	5
Dispenser Cover Kit	
F749801 .....	35
Dispenser Support Bracket	
F609663 .....	35

N/A items do not appear in index.

F609664 .....	35
Door Cam Torsion Spring	
F310133 .....	49
Door Gasket	
F170123 .....	43
F170124 .....	45
F8434803 .....	47
Door Glass	
F8485301P .....	43
F8485401P .....	45
Door Glass Gasket	
F170117 .....	47
Door Glass Retainer	
F601239 .....	47
Door Handle	
F150225 .....	43, 45, 47
Door Hinge Assembly	
F633978 .....	45
F634027 .....	43
Door Hinge Weldment	
F633746 .....	45, 47
Door Lock Bracket Weldment	
F8209801 .....	49
Door Lock Cam	
F0150518-00 .....	49
Door Lock Cover Weldment	
F8071203 .....	49
Door Lock Kit	
F730478 .....	49
Door Lock Pivot Kit	
F746503 .....	43, 45, 47
Door Lock Shim	
F606563 .....	49
Door Retro Kit	
F746007-02P .....	45
F746008-02P .....	47
Door Support Bracket Weldment	
F631670 .....	43, 45
Door Support Weldment	
F633698 .....	47
Door Unlock Decal	
F230816 .....	5, 49
Door Warning Label	
81968 .....	5
Door Weldment	
F633692 .....	47
F633843 .....	45
F634002 .....	43
Drain Decal	
F231150 .....	5
Drain Hose	
F150356 .....	41
F150411 .....	41
F200169 .....	41
Drain Motor Cover	
F380946 .....	41
Drain Support Bracket	
F606647 .....	41
Drain Valve	
F8406304 .....	41
Drive Kit, 1305 to PowerFlex40	
F8174405 .....	27
F8174504 .....	27

Drive Kit, 160 to PowerFlex40	
F8174404 .....	27
F8174503 .....	27

---

## E

Electric Box Cover	
F631705 .....	31
Electric Heat Wire Harness	
F607745-2 .....	63
Electrical Box Cover	
F606543 .....	53
Electrical Panel Weldment	
F630251 .....	53
Element	
F360205P .....	63
Element Plate	
F631457 .....	63
F631702 .....	63
F631740 .....	63
Emergency Stop Button Kit	
F200233700P .....	51
Emergency Stop Pushbutton	
F200233500 .....	51
End Anchor	
F330530 .....	17, 29
Excluder Seal	
F100251 .....	13
External Supply Caution Decal	
F231345-4 .....	17, 29
External Supply Connection Decal	
F230764-6 .....	17, 29
External Supply Fuse Decal	
F231271 .....	29
F231271-1 .....	17
Extrusion Insert	
F150397 .....	7

---

## F

Fill Hose	
F200173 .....	41
F200175 .....	41
Filter	
F200318900P .....	9, 31, 33
Filter Retainer Guard	
F220900 .....	9, 31, 33
Flange Relay	
F330227 .....	53
Flat Plastic	
F170406 .....	7, 53
F170407 .....	7, 53
Follower Cam	
F100145 .....	43, 45, 47
Frame Assembly	
F605911 .....	57
F606689 .....	55
F607313 .....	59
Front Column	
F606315 .....	7
F606316 .....	7
F606730 .....	7

N/A items do not appear in index.



F606731	7
F607341	7
F607342	7
Front Cover	
F606317	7
F606732	7
F607338	7
Front Panel Weldment	
F608393	53
F608396	53
F608399	53
Fuse	
F350104	51
F350108	53
F350109	53
F350110	53
Fuse Holder	
F0350312-10	17, 29
F350304P	51

## G

Gasket	
F170176	31, 33
Gasket Cover	
F606323	35
F606729	35
Glass	
F290201P	47
Ground Decal	
F230630	5, 17, 29
F231434	17, 29
Ground Terminal Lug	
F140734	17, 29

## H

Hall Effect Sensor Switch	
F340503P	49
Harness Assembly	
F141873	29
Heating Element Plug	
F360202	61
Hinge Door Weldment	
F633944	43
Hinge Pin	
F432306	43, 45, 47
Hinge Shim	
F631662	43, 45, 47
Hose	
F150395	41
F200155P	39
Hose Barb	
F421952	39
F421964	39
Hose Clamp	
F200213	9, 41
F200215	9, 41
F200217	37, 39
F200222	37, 39, 41
36801	37, 39

Hot Water Decal	
F230856	5

## I

Idler Arm	
F280275	11
Idler Bushing Kit	
F280414P	11
Injection Nozzle	
F8322001	35, 37, 39
Injection Nozzle Kit	
F730168	35, 37, 39
Input Power Connector Decal	
F230677	17
Input Power Decal	
F231437	29
Intermittent Duty Solenoid	
F300122P	49
Inverter Drive	
F037083500	29
F370815	19
F370816	19
F370818	19
F370838	19, 29
F370843	19
F370844	19
F370853	19
F370857	19
F370858	19

## J

Jumper Kit	
F784003P	53

## K

Key	
F160562	31, 33
F430808	11
Keymode Run/Program Switch	
F340800P	51
Keypad Decal	
F230724P	51

## L

Lid Lock	
F190802P	31, 33, 51
Lift-Off Hinge	
F190202P	35
F190205P	35
F190209P	31, 33
Light	
F350412	53
Liquid Supply Decal	
F230877	5
Lock Latch	
F606295	31, 33, 51

N/A items do not appear in index.

Logo Decal	
F230806	35
Lower Hinge Base	
F0150282-00	43, 45
F0150286-00	47

## M

Module Face Bracket	
F606309	53
Module Face Weldment	
F631038	51
Momentary Pushbutton	
F8069602	49
Motor	
F220214UP	15
F220215M	15
F220215U	15
F220217	15
F220236P	15
F220434P	15
F220438	15
Motor Bushing	
F280242	13
Motor Spacer	
F432288	13
F432289	13
Mounting Rail	
F610843	17
F610845	29
Muffin Fan	
F110106	9, 31, 33

## N

Nipple	
F420118	39
Nipple Weldment	
F607532	39
F609279	39
Nut	
F430201	11, 59
F430202	11
F430215	7, 9, 39, 41, 53, 61
F430218	13, 55, 57
F430228	55, 57, 59
F430231	9, 31, 33, 51, 53
F430232	33, 37, 39
F430239	13, 59
F430240	11
F430241	55, 57
F431000	35
F431001	37, 39, 43, 45
F431005	35
F431017	53
F431024	35, 41, 43, 45, 47, 49, 61, 63
F431036	47
F431047	43, 45, 47
F8549401	7, 43, 45, 47
685846	39, 53
802292	35, 37, 39

## O

O-Ring	
F170208	35, 39
Out-of-Balance Optical Sensor Kit	
F730438	55, 57, 59
Output CCA	
F0370444-10P	53
Overflow Hose	
F150377	41
F150394	41
Overflow Plug	
F150352	9

## P

Personal Injury Warning Decal	
F231065	5
Pipe Insulation	
F410300	61
Pivot Lock Weldment	
F608536	43, 45, 47
Plug	
F140526	17, 29
F140563	43, 45, 47
F150443	9
Plug Hose	
F607461	41
Program Key	
F370709	51
Pulley	
F280103	13
F280147	13
F280273	13
F280285P	13
F280296P	11
F280415	11
Pulley Bushing	
F280260	13
Pulley Cover Plate	
F605985F	11
Pulley Insertion Tool Kit	
F798004	65
Pulley Key	
F430812	11
Pulley Puller Weldment	
F608741	65

## R

RC Network Filter	
F330217P	29, 49, 53
Rear Cover	
F605912	9
F607335	9
F631695P	9
F631696	9
Rear Panel	
F631454	9
F633023	9

N/A items do not appear in index.

Reducer Bushing	
F421936	41
Remove Transformer Bracket Warning Tag	
F230560	5
Ribbon Cable	
F140218P	53
F140219P	53
F140223P	53
Ring-Grip Pin	
F430407	53
Rivet	
F432222	7, 53
Rocker Plug	
F180505	37, 39
Rod End Bearing	
F100140	55, 57
Rub Rail	
F150405	7
F150406	7

## S

Screw	
F430103	41
F430144	55, 57
F430146	55, 57, 59
F430148	55, 57, 59
F430157	59
F430174	9
F430179	9, 35, 39
F430183	11
F430500	7
F430525	51
F430909	37, 39
F430916	9
F430920	53
F430921	7, 49
F430923	43, 45
F430925	7, 9, 39, 41, 53, 61
F430928	31, 33, 49, 53
F430939	13, 35
F430947	11, 13
F430979	59
F430985	49
F430986	9
F430987	11
F430995	49
F432229	35
F432231	31, 33
F432285	43, 45, 47
F606612	35
F8535601	31, 33, 53
Shaft Sleeve	
F320328	13
F400374	13
F400375	13
Shell Assembly	
F606705-2	15
Shell Assembly Replacement Kit	
F0636274-01	15
Shell Band Assembly	
F603910	7
F603911	7
Shell Band Gasket	
F170120RP	7

Shell Band Kit	
F8537803	7
F8537804	7
Shell Band Seal	
F170125P	7
Shell Front Cover	
F606539P	7, 45
F607036	7, 43
F607386	7, 47
Shell Front Weldment	
F631650P	7, 47
F631651P	7, 45
F633684P	7, 43
Shock Absorber	
F250500	55, 57, 59
F250501	59
Shocks Set Kit	
F790211	57
Side Panel	
F606718	9
F607339	9
Side Panel Kit	
F730399	9
Siphon Tube	
F150390	35
Sponge Rubber	
F170128	7, 51, 53
Spring	
F310107	49
Spring Assembly Kit	
F790503	59
Spring Kit	
F790502	59
F790504	55
F790506	57
Spring Kit Assembly	
F790507	57
Spring Kit Sub-Assembly	
F790505	55
Spring Pin	
F431222	43, 45, 47
Standard Plate	
F631726	61
F631742	61
Steam Connection Weldment	
F606575	61
Steam Decal	
F231147	5
Steam Heat Kit	
F730548	61
Steam Hose	
F200153P	61
F200154	61
Steam Injector Tube Assembly	
F8368201	61
Steam Valve Repair Kit	
F380984P	61
Strain Relief Connector	
F140224	17, 29
F140329	41
F140331	13, 17
F140341	17, 53
Street Elbow	
H86070034	61

N/A items do not appear in index.

Sump Gasket	
F170178 .....	61, 63
F170179 .....	61, 63
Supply Dispenser Assembly	
F606048 .....	35
Supply Dispenser Cover Weldment	
F606324 .....	35
F607026 .....	35
Supply Dispenser Cup	
F150368 .....	35
F150369 .....	35
Supply Dispenser Gasket	
F606804 .....	35
F607060 .....	35
Supply Dispenser Kit	
F749002 .....	35
F749003 .....	35
Supply Dispenser Latch	
F606607 .....	35
Supply Dispenser Weldment	
F606048-2 .....	35
F607022-2 .....	35
F607052-1 .....	35
Supply Hose	
F150415 .....	41
F200171 .....	41
F200172 .....	41
Supply Valve Plate	
F607518 .....	39
Switch	
F340901 .....	55, 57, 59
Switch Extension	
F340913 .....	55, 57, 59
Switch Magnet	
F340502P .....	43, 45, 47, 49

## T

Tee	
F420415 .....	39
F422806 .....	41
Temperature Probe	
F370606P .....	41
Terminal	
F140766 .....	49
F140779 .....	53
Terminal Block	
F140782 .....	17, 29
M413865 .....	17, 29
Thermostat	
F290114 .....	17
Thermostat Reset Decal	
F231379 .....	17
Top Cover	
F605920P .....	9
F606719 .....	9
F634140 .....	9
Transformer	
C000203 .....	17, 29
F360125P .....	17, 29
Trim	
F170404 .....	49

Trunnion Kit	
F730387-1 .....	11
F730425-1 .....	11
F730435 .....	11
Tubing	
F200168P .....	37, 39
F422404P .....	41
F602794-1 .....	41

## U

Upper Hinge Base	
F0150281-00 .....	43, 45
F0150285-00 .....	47

## V

Vacuum Breaker Weldment	
F606031 .....	37
F607489 .....	39
Valve	
F381727P .....	39
F8322806 .....	37
F8322909P .....	37
Valve, 1-Way	
F380763P .....	37
F380953P .....	37
Valve, 3-Way	
F380951P .....	37
F381725P .....	37, 39
Vent Hose	
F200170 .....	41
Vent Nipple	
F422517 .....	41
Vent Shield Assembly	
F0636279-00 .....	29
V-Ring Seal	
F100243P .....	13
F100245P .....	11, 13
F100249 .....	11
F100250P .....	11

## W

Washer	
F430317 .....	7, 51
F430325 .....	11, 59
F430332 .....	55, 57, 59
F431100 .....	7, 13, 43, 45, 47
F431105 .....	35
F431106 .....	49
F431108 .....	35, 53
F431113 .....	31, 33, 51, 53
F431125 .....	31, 33
F431131 .....	37
F431142 .....	43, 45, 47
F431143 .....	43, 45, 47
F431907 .....	43, 45, 47, 59
F431933 .....	43, 45, 47
F431934 .....	43, 45, 47
F8171201 .....	11
M400081 .....	59
20290 .....	37

N/A items do not appear in index.

70261401 .....	13
Water Connection Inlet Manifold	
F150246 .....	37
F150247 .....	37
Water Hose	
F200128P .....	37
F200199P .....	37, 39
F200509 .....	39
Water Level Switch	
F0340340-10P .....	17
F0340343-10P .....	17
F0340345-10P .....	29
WE-6 Computer	
F370534-20P .....	51
WE-6 Interface CCA Kit	
F0370446-21P .....	53
F370446-1P .....	53

---

