

TD60, TD77

---

Tumble dryer  
Séchoir à tambour

---



## List of issues

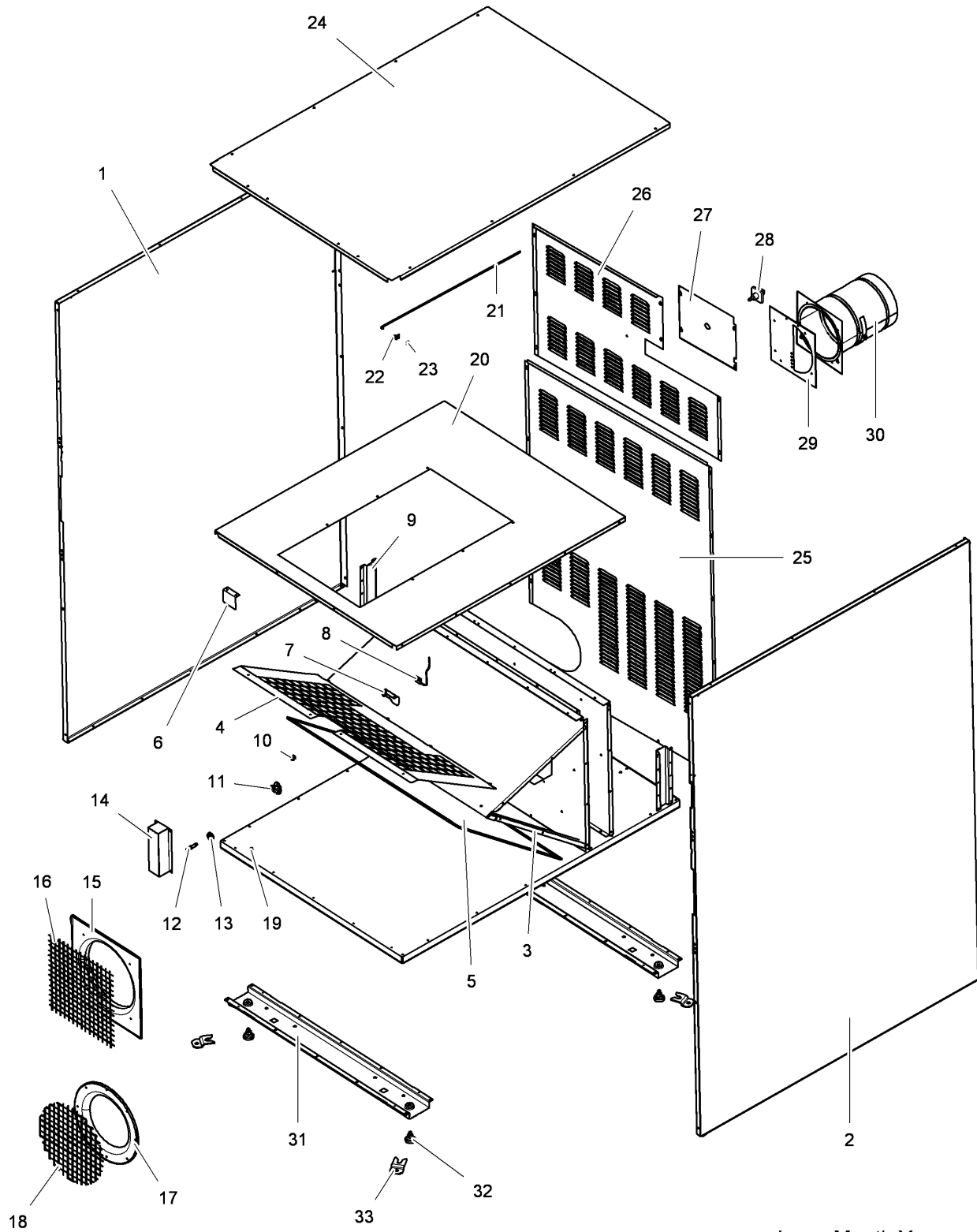
### **TD60,TD77**

| Illustration | Page | Table of contents            |
|--------------|------|------------------------------|
| 200145       | 57   | Coin meter, complete         |
| 200384       | 7    | Cabinet complete             |
| 200387       | 11   | Front plate + door, complete |
| 200389       | 13   | Filter hatch complete        |
| 200392       | 9    | Control panel                |
| 200400       | 51   | Beam                         |
| 200403       | 17   | Drum, complete               |
| 200405       | 19   | Drum with moisture sensor    |
| 200408       | 23   | Motor                        |
| 200409       | 25   | Motor                        |
| 200410       | 45   | Connection unit              |
| 200414       | 29   | Heating unit, electric       |
| 200415       | 31   | Heating unit, electric       |
| 200417       | 49   | Bracket - electric, complete |
| 200420       | 33   | Heating unit, gas            |
| 200421       | 37   | Heating unit, gas            |
| 200423       | 35   | Heating unit, town gas       |
| 200424       | 39   | Heating unit, steam          |
| 200427       | 43   | Control unit                 |
| 200431       | 53   | Heat Pipes, complete         |
| 500002       | 27   | Frequency converter          |



## TD60,TD77

| Table of contents            | Table des matières                | Page/Page |
|------------------------------|-----------------------------------|-----------|
| Cabinet complete             | Armoire complète                  | 7         |
| Control panel                | Panneau de commande               | 9         |
| Front plate + door, complete | Tôle de façade + plaque, complète | 11        |
| Filter hatch complete        | Plaque filtre complète            | 13        |
| Drum, complete               | Tambour, complet                  | 17        |
| Drum with moisture sensor    | Tambour avec capteur humidité     | 19        |
| Motor                        | Moteur                            | 23        |
| Motor                        | Moteur                            | 25        |
| Frequency converter          | Convertisseur de fréquence        | 27        |
| Heating unit, electric       | Unité de chauffage, électrique    | 29        |
| Heating unit, electric       | Unité de chauffage, électrique    | 31        |
| Heating unit, gas            | Unité de chauffage, gaz           | 33        |
| Heating unit, town gas       | Unité de chauffage, ville - gaz   | 35        |
| Heating unit, gas            | Unité de chauffage, gaz           | 37        |
| Heating unit, steam          | Unité de chauffage, vapeur        | 39        |
| Control unit                 | Unité de contrôle                 | 43        |
| Connection unit              | Connexion                         | 45        |
| Bracket - electric, complete | Console - électrique, complet     | 49        |
| Beam                         | Poutre                            | 51        |
| Heat Pipes, complete         | Heat Pipes, complète              | 53        |
| Coin meter, complete         | Sélecteur de monnaie, complet     | 57        |



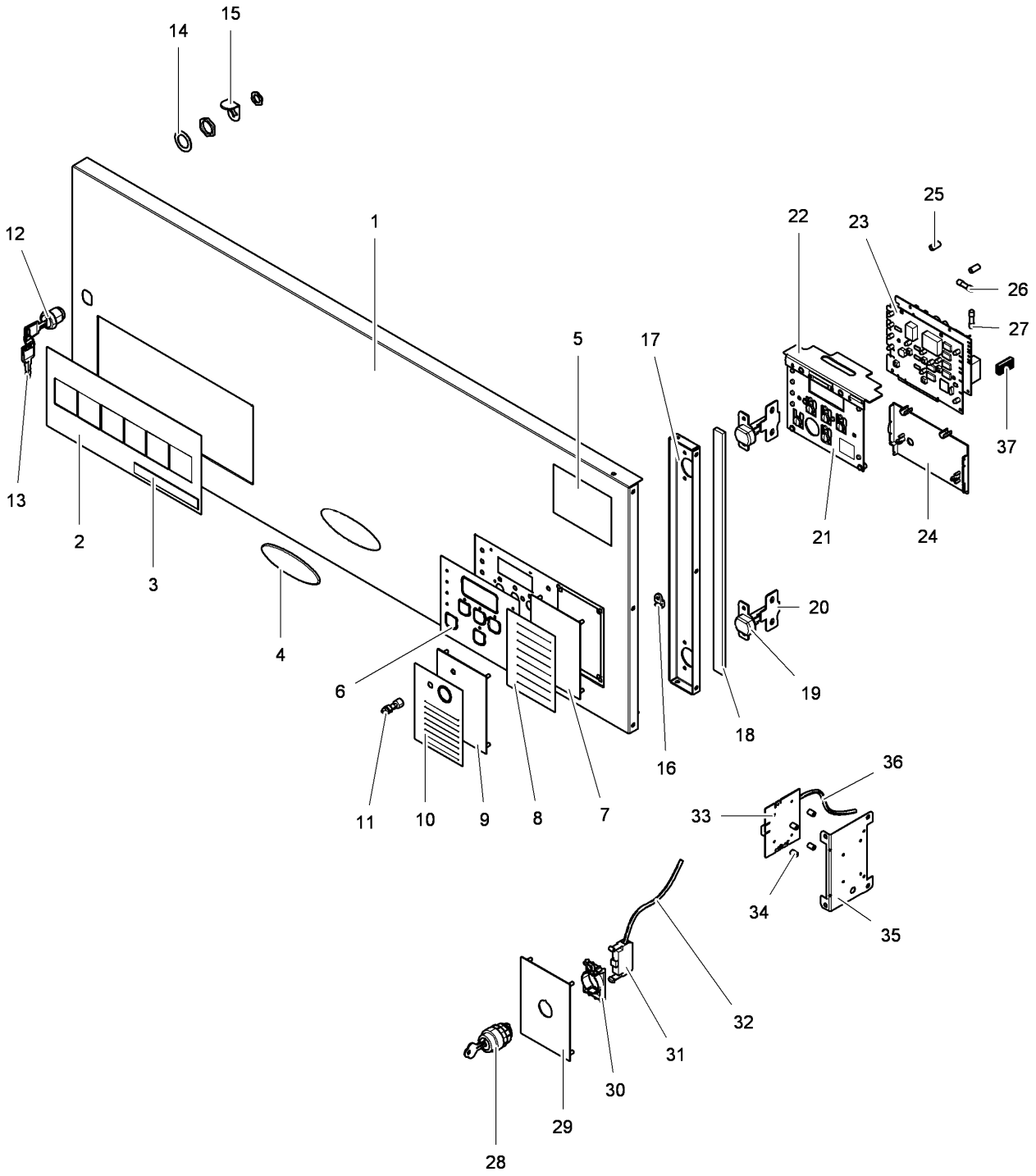
20 03 84

Issue Month Year  
03 11 08

**TD60,TD77****Cabinet complete****Armoire complète**

|                 |          |          |             |
|-----------------|----------|----------|-------------|
| Illustration    | Issue    | Month    | Year        |
| Schéma          | Issue    | Month    | Year        |
| <b>200384/2</b> | <b>6</b> | <b>3</b> | <b>2010</b> |

| Item      | Quantity | Art.No             | Description          | Description                         | Info | Notes                         |
|-----------|----------|--------------------|----------------------|-------------------------------------|------|-------------------------------|
| Article   | Quantité | Réf. article       |                      |                                     | Info | Remarques                     |
|           | TD60     |                    |                      |                                     |      |                               |
|           | TD77     |                    |                      |                                     |      |                               |
| <b>1</b>  | 1        | <b>487 0961-20</b> | Side plate           | Plaque de côté                      | 3    | Grey Left                     |
|           | 1        | <b>487 0961-75</b> | Side plate           | Plaque de côté                      | 3    | Stainless Left                |
|           | 1        | <b>487 0971-20</b> | Side plate           | Plaque de côté                      | 3    | Grey Left                     |
|           | 1        | <b>487 0971-75</b> | Side plate           | Plaque de côté                      | 3    | Stainless Left                |
| <b>2</b>  | 1        | <b>487 0962-20</b> | Side plate           | Plaque de côté                      | 3    | Grey Right                    |
|           | 1        | <b>487 0962-75</b> | Side plate           | Plaque de côté                      | 3    | Stainless Right               |
|           | 1        | <b>487 0972-20</b> | Side plate           | Plaque de côté                      | 3    | Grey Right                    |
|           | 1        | <b>487 0972-75</b> | Side plate           | Plaque de côté                      | 3    | Stainless Right               |
| <b>3</b>  | 2        | <b>487 1694-64</b> | Leg                  | Pied                                | 3    |                               |
| <b>4</b>  | 1        | <b>487 1763-09</b> | Finger protection    | Protection pour les doigts          | 3    | White                         |
|           | 1        | <b>487 1813-15</b> | Finger protection    | Protection pour les doigts          | 3    | White                         |
| <b>5</b>  | 1        | <b>487 1695-15</b> | Lint screen          | Filtre à peluches                   | 1    | Complete                      |
|           | 1        | <b>487 1600-12</b> | •Filter cloth        | •Tissu du filtre                    | 1    |                               |
| <b>6</b>  | 1        | <b>487 1816-57</b> | Magnet retainer      | Support d'aimant                    | 3    |                               |
| <b>7</b>  | 1        | <b>487 0511-00</b> | Bracket              | Doigt de verrouillage de porte      | 3    |                               |
| <b>8</b>  | 1        | <b>487 0274-49</b> | Magnetic switch      | Disjoncteur magnétique              | 3    |                               |
| <b>9</b>  | 2        | <b>487 1897-60</b> | Rail                 | Rail                                | 3    |                               |
| <b>10</b> | 2        | <b>762 1137-10</b> | Cable gland          | Passe-fil                           | 3    | Ø16                           |
| <b>11</b> | 1        | <b>487 0274-18</b> | Thermostat           | Thermostat                          | 1    | 87°C                          |
| <b>12</b> | 1        | <b>487 0286-09</b> | Sensor               | Détecteur                           | 1    | Complete                      |
| <b>13</b> | 1        | <b>125 8760-00</b> | •Rubber membrane     | •Membrane caoutchouc                | 1    |                               |
| <b>14</b> | 1        | <b>487 1820-17</b> | Cover                | Couvercle                           | 3    |                               |
| <b>15</b> | 1        | <b>472 8012-01</b> | Venturi              | Venturi                             | 3    |                               |
|           | 1        | <b>487 1831-41</b> | Venturi              | Venturi                             | 3    |                               |
| <b>16</b> | 1        | <b>472 7463-02</b> | Protective grid      | Grille de protection                | 3    |                               |
|           | 1        | <b>487 1831-42</b> | Protective grid      | Grille de protection                | 3    |                               |
| <b>19</b> | 2        | <b>472 7414-01</b> | Spacer sleeve        | Manchon entretoise                  | 3    | Ø10/Ø6                        |
| <b>20</b> | 1        | <b>487 1695-84</b> | Top panel            | Panneau supérieur                   | 3    |                               |
|           | 1        | <b>487 1820-84</b> | Top panel            | Panneau supérieur                   | 3    |                               |
| <b>21</b> | 1        | <b>487 1763-05</b> | Bracket              | Doigt de verrouillage de porte      | 3    |                               |
| <b>22</b> | 1        | <b>487 1763-06</b> | Angle                | Coude                               | 3    |                               |
| <b>23</b> | 1        | <b>487 1626-04</b> | Disc                 | Disque                              | 3    | Grifax                        |
| <b>24</b> | 1        | <b>487 0963-20</b> | Top panel            | Panneau supérieur                   | 3    | Grey                          |
|           | 1        | <b>487 0963-75</b> | Top panel            | Panneau supérieur                   | 3    | Stainless                     |
|           | 1        | <b>487 0973-20</b> | Top panel            | Panneau supérieur                   | 3    | Grey                          |
|           | 1        | <b>487 0973-75</b> | Top panel            | Panneau supérieur                   | 3    | Stainless                     |
| <b>25</b> | 1        | <b>487 2219-16</b> | Baffle plate         | Plaque d'écran                      | 3    |                               |
| <b>26</b> | 1        | <b>487 2368-20</b> | Baffle plate         | Plaque d'écran                      | 3    | Electric + gas                |
| <b>27</b> | 1        | <b>487 2368-25</b> | Cover                | Couvercle                           | 3    | Electric + gas Without switch |
|           | 1        | <b>487 2368-26</b> | Cover                | Couvercle                           | 3    | Electric + gas Small switch   |
| <b>28</b> | 1        | <b>471 9678-96</b> | Turning device       | Dispositif                          | 3    |                               |
| <b>29</b> | 1        | <b>487 1764-35</b> | Air reducing plate   | Tôle de réduction                   | 3    | Gas                           |
|           | 1        | <b>487 1764-22</b> | Air reducing plate   | Tôle de réduction                   | 3    | 60Hz Electric                 |
|           | 1        | <b>487 1764-38</b> | Air reducing plate   | Tôle de réduction                   | 3    | 60Hz                          |
|           | 1        | <b>487 1764-35</b> | Air reducing plate   | Tôle de réduction                   | 3    | 60Hz                          |
|           | 1        | <b>487 1764-38</b> | Air reducing plate   | Tôle de réduction                   | 3    | Gas 50Hz                      |
|           | 1        | <b>487 1764-35</b> | Air reducing plate   | Tôle de réduction                   | 3    | Gas 60Hz                      |
|           | 1        | <b>487 1764-39</b> | Air reducing plate   | Tôle de réduction                   | 3    | 60Hz Electric + steam         |
| <b>30</b> | 1        | <b>487 1775-01</b> | Adjustable vent pipe | Tube réglable d'évacuation de l'air | 3    |                               |
| <b>31</b> | 2        | <b>487 1695-79</b> | Beam                 | Poutre                              | 3    |                               |
| <b>32</b> | 4        | <b>487 1512-30</b> | Foot                 | Pied                                | 3    | M10X80                        |
| <b>33</b> | 4        | <b>472 7777-01</b> | Fitting              | Garniture                           | 3    | Complete Marine               |



20 03 92

Issue Month Year  
03 11 08



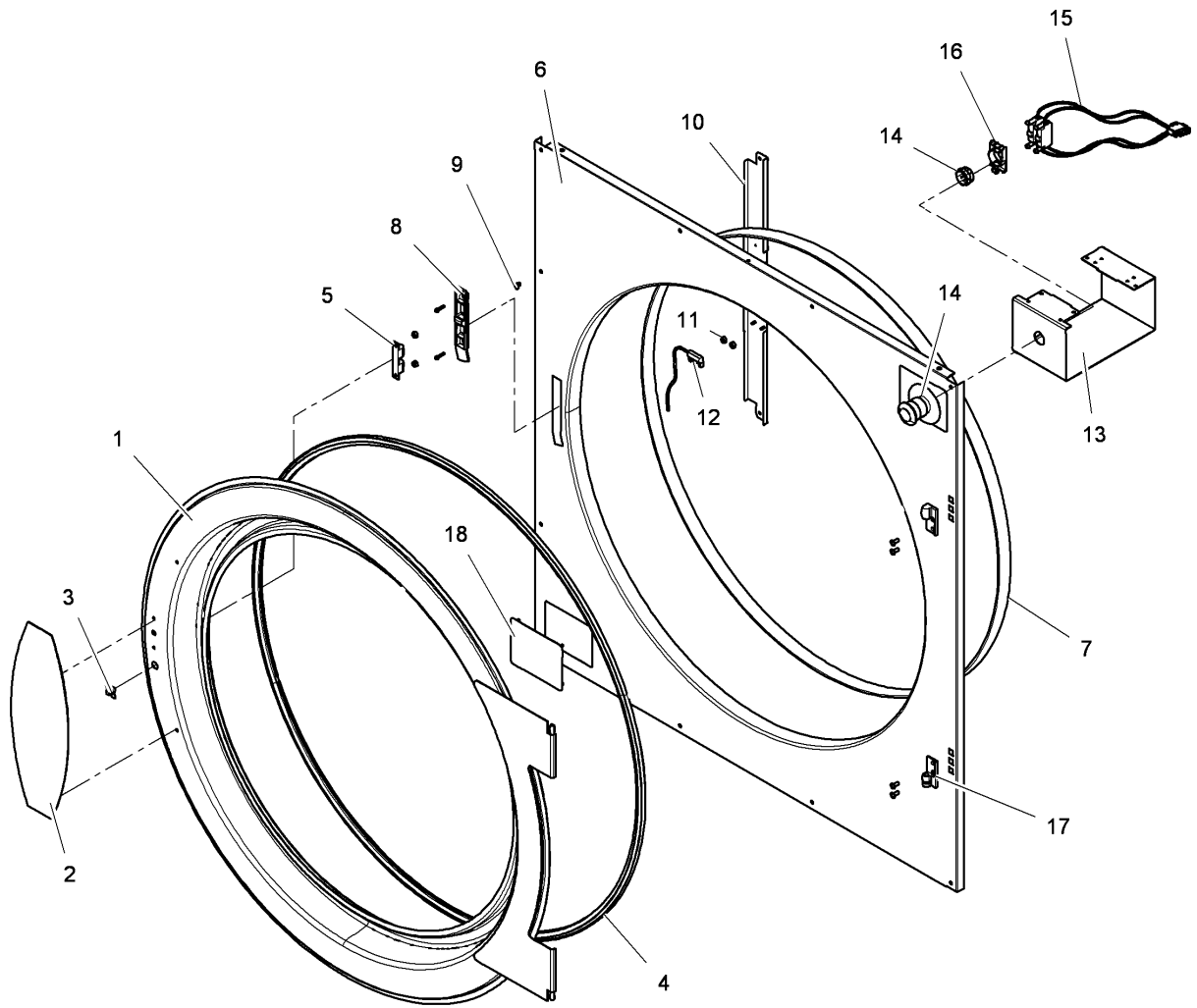
**TD60,TD77**

**Control panel**

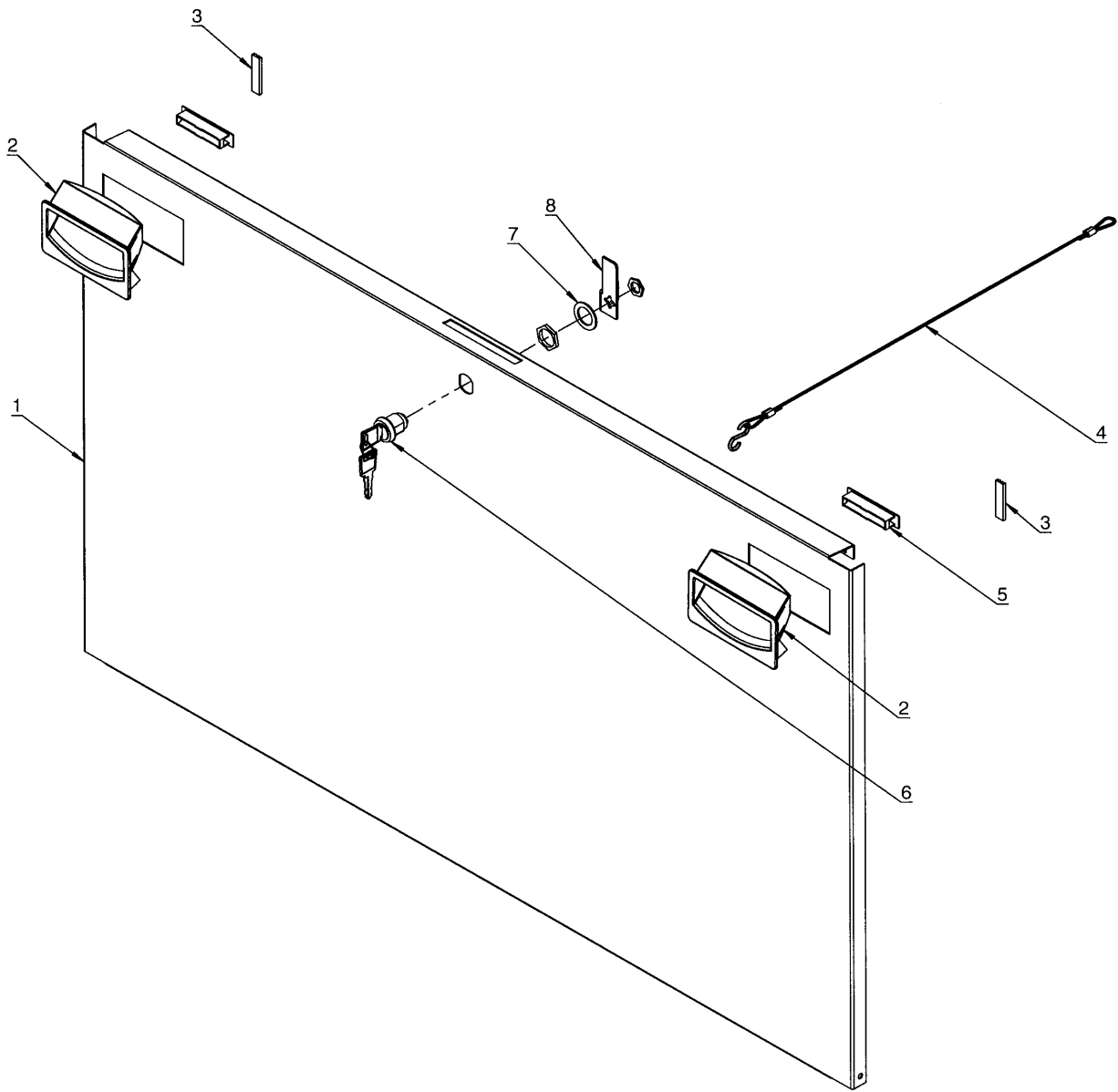
**Panneau de commande**

Illustration Issue Month Year  
Schéma Issue Month Year  
**200392/1 8 9 2010**

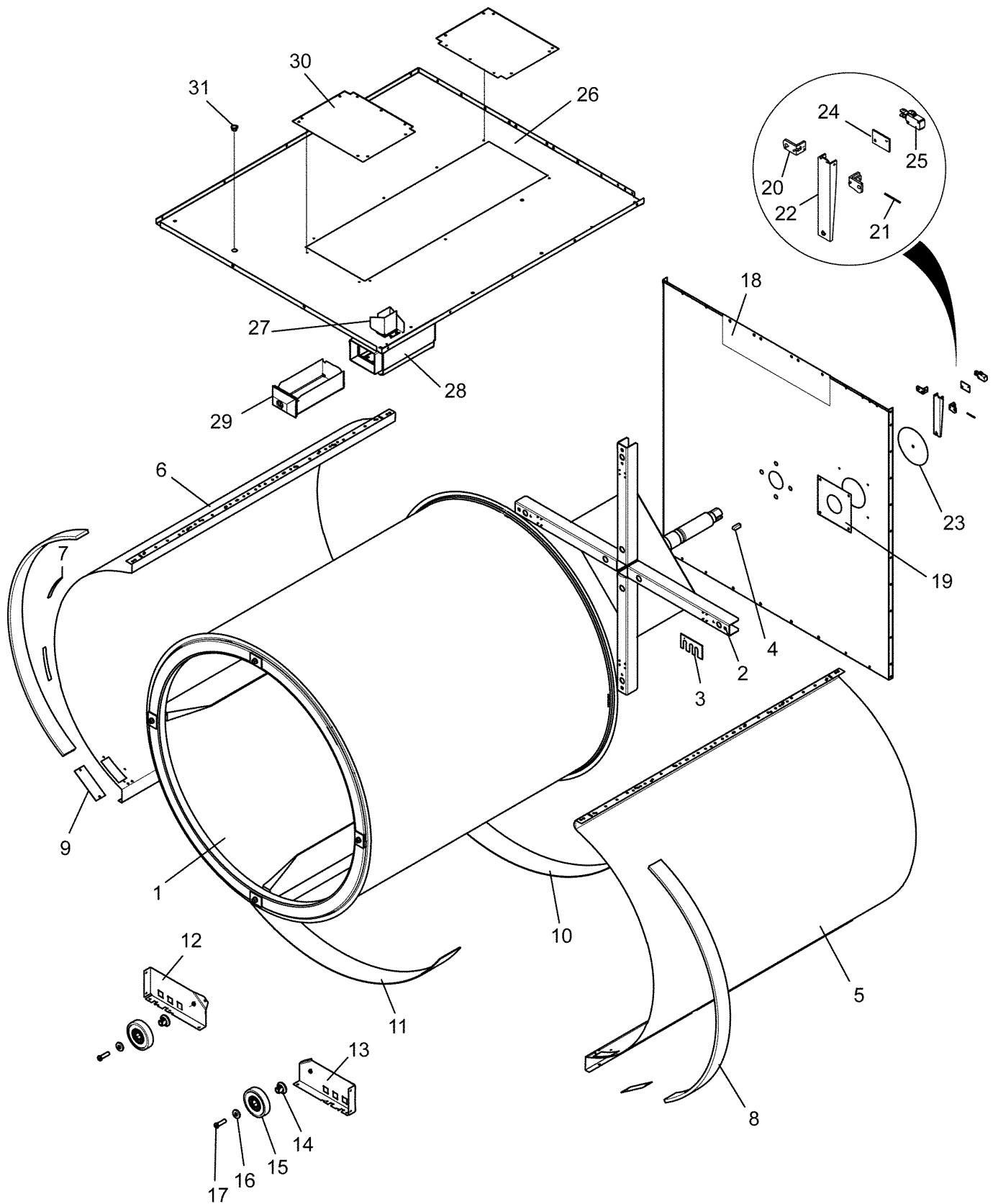
| Item<br>Article | Quantity<br>Quantité | Art.No<br>Réf. article | Description           | Description                    | Info<br>Info | Notes<br>Remarques          |
|-----------------|----------------------|------------------------|-----------------------|--------------------------------|--------------|-----------------------------|
|                 |                      | TD60                   |                       |                                |              |                             |
|                 |                      | TD77                   |                       |                                |              |                             |
| 1               | 1                    | 487 0960-05            | Front panel           | Panneau de façade              | 3            | White                       |
|                 | 1                    | 487 0960-20            | Front panel           | Panneau de façade              | 3            | Grey                        |
|                 | 1                    | 487 0960-55            | Front panel           | Panneau de façade              | 3            | Stainless                   |
| 2               | 1                    | 487 2293-41            | Instruction plate     | Plaque instructionutilisation  | 3            | Manual                      |
|                 | 1                    | 487 0911-01            | Instruction plate     | Plaque instructionutilisation  | 3            | Payment                     |
|                 | 1                    | 487 0911-49            | Instruction plate     | Plaque instructionutilisation  | 3            | USA Payment                 |
|                 | 1                    | 487 0911-00            | Instruction plate     | Plaque instructionutilisation  | 3            | Japan Payment               |
| 3               | 1                    | 487 0911-28            | Type plade            | Numéro série plque             | 3            | T4530                       |
|                 | 1                    | 487 0911-31            | Type plade            | Numéro série plque             | 3            | TD50                        |
|                 | 1                    | 487 0911-62            | Type plate            | Numéro série plaque            | 3            | TD60                        |
|                 |                      | 487 0911-21            | Type plade            | Numéro série plque             | 3            | T4650                       |
|                 |                      | 487 0911-32            | Type plade            | Numéro série plque             | 3            | TD75                        |
|                 |                      | 487 0911-63            | Type plate            | Numéro série plaque            | 3            | TD77                        |
|                 | 1                    | 487 0911-19            | Type plade            | Numéro série plque             | 3            | Neutral                     |
| 4               | 1                    | 432 2620-12            | Sign                  | Signe                          | 3            | Electrolux                  |
|                 | 1                    | 432 2620-02            | Sign                  | Signe                          | 3            | Wascomat                    |
| 5               | 1                    | 487 1924-72            | Sign                  | Signe                          | 3            | USA RMC                     |
| 6               | 1                    | 487 2293-40            | Operation sign        | Etiquette                      | 3            | OPL                         |
|                 | 1                    | 487 0910-00            | Operation sign        | Etiquette                      | 3            | AHL/LM10                    |
|                 | 1                    | 487 0910-01            | Operation sign        | Etiquette                      | 3            | Payment                     |
|                 | 1                    | 487 0910-03            | Operation sign        | Etiquette                      | 3            | USA Payment                 |
|                 | 1                    | 487 0910-02            | Operation sign        | Etiquette                      | 3            | Japan Payment               |
| 7               | 1                    | 487 2336-42            | Cover plate           | Plaque recouvrement            | 3            | Silvergrey                  |
|                 | 1                    | 487 0982-20            | Cover plate           | Plaque recouvrement            | 3            | Grey                        |
| 8               | 1                    | 487 0911-02            | Program sign          | Indicateur programme           | 3            | OPL                         |
| 9               | 1                    | 487 0936-20            | Cover plate           | Plaque recouvrement            | 3            | Gas                         |
| 10              | 1                    | 487 0911-22            | Program sign          | Indicateur programme           | 3            | Gas Reset                   |
| 11              | 1                    | 487 0510-30            | Cable set             | Ensemble de câbles             | 3            | Gas Reset                   |
| 12              | 1                    | 472 9927-04            | Lock                  | Serrure                        | 3            | Complete                    |
|                 | 1                    | 472 9927-05            | Lock                  | Serrure                        | 3            | Complete USA                |
| 13              | 1                    | 487 1707-12            | •Key                  | •Clé                           | 3            |                             |
|                 | 1                    | 487 1707-11            | •Key                  | •Clé                           | 3            | USA                         |
| 14              | 1                    | 487 1875-00            | •Lock washer          | •Rondelle d'arrêt              | 3            |                             |
| 15              | 1                    | 487 0928-01            | •Lock catch           | •Verrou                        | 3            |                             |
| 16              | 1                    | 488 7300-06            | Bracket               | Doigt de verrouillage de porte | 3            |                             |
| 17              | 1                    | 487 0945-01            | Bracket               | Console                        | 3            |                             |
| 18              | 1                    | 490 3740-01            | Sealing strip         | Bande d'étanchéité             | 3            | Per 1m                      |
| 19              | 2                    | 487 0909-01            | Hinge                 | Charnière                      | 3            |                             |
| 20              | 2                    | 487 0908-01            | Assembly plate        | Plaque de montage              | 3            |                             |
| 21              | 1                    | 487 2307-33            | Spacer plate          | Plaque d'écartement            | 3            | Plastic                     |
| 22              | 1                    | 487 2300-46            | Cover                 | Couvercle                      | 3            | Plastic                     |
| 23              | 1                    | 472 9920-10            | Printed circuit board | Carte de circuit imprimé       | 1            | Only for the swedish market |
|                 | 1                    | 472 9920-12            | Printed circuit board | Carte de circuit imprimé       | 1            |                             |
|                 | 1                    | 472 9920-11            | Printed circuit board | Carte de circuit imprimé       | 1            | USA                         |
| 24              | 1                    | 487 2307-53            | •Spacer               | •Entretoise                    | 1            | Plastic                     |
| 25              | 2                    | 487 0281-16            | •Spacer sleeve        | •Manchon entretoise            | 1            |                             |
| 26              | 1                    | 471 8750-18            | Precision fuse        | Fusible de précision           | 1            | 1AT                         |
| 27              | 1                    | 471 8750-17            | Precision fuse        | Fusible de précision           | 1            | 630mAT                      |











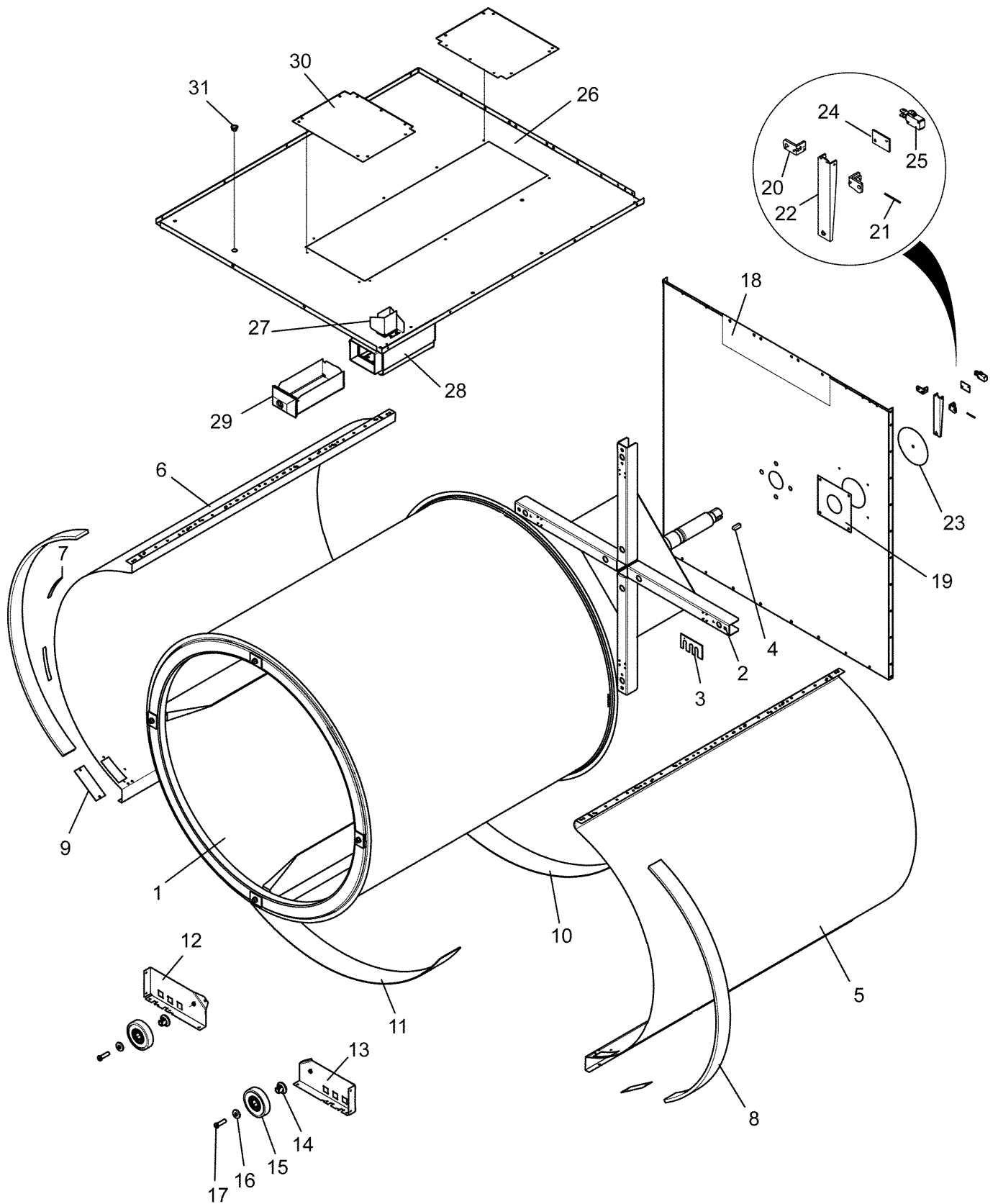
**TD60,TD77**

**Drum, complete**

**Tambour, complet**

Illustration Issue Month Year  
Schéma Issue Month Year  
**200403/2 6 6 2010**

| Item<br>Article | Quantity<br>Quantité | Art.No<br>Réf. article | Description           | Description                    | Info<br>Info | Notes<br>Remarques      |
|-----------------|----------------------|------------------------|-----------------------|--------------------------------|--------------|-------------------------|
|                 |                      |                        | TD60                  |                                |              |                         |
|                 |                      |                        | TD77                  |                                |              |                         |
| 1               | 1                    | 471 1765-25            | Drum with shaft cross | Tambour avec croix d'arbres    | 3            | Galvanized              |
|                 | 1                    | 471 1765-26            | Drum with shaft cross | Tambour avec croix d'arbres    | 3            | Stainless               |
|                 | 1                    | 471 1765-49            | Drum with shaft cross | Tambour avec croix d'arbres    | 3            | Galvanized              |
|                 | 1                    | 471 1765-50            | Drum with shaft cross | Tambour avec croix d'arbres    | 3            | Stainless               |
| 2               | 1                    | 487 0150-10            | •Shaft cross          | •Croix d'arbres                | 3            |                         |
| 3               | 1                    | 487 2193-01            | •Under lay            | •Entretoise                    | 3            | 0,7mm                   |
|                 | 1                    | 487 1756-01            | •Under lay            | •Entretoise                    | 3            | 1,0mm                   |
|                 | 1                    | 487 2193-02            | •Under lay            | •Entretoise                    | 3            | 1,2mm                   |
|                 | 1                    | 487 1756-02            | •Under lay            | •Entretoise                    | 3            | 1,5mm                   |
| 4               | 1                    | 487 0151-15            | Wedge                 | Cheville                       | 3            |                         |
| 5               | 1                    | 487 0511-31            | Casing                | Carter                         | 3            | Right                   |
|                 | 1                    | 487 0511-23            | Casing                | Carter                         | 3            | Right                   |
| 6               | 1                    | 487 0511-30            | Casing                | Carter                         | 3            | Left                    |
|                 | 1                    | 487 0511-24            | Casing                | Carter                         | 3            | Left                    |
| 7               | 4                    | 487 2290-92            | Plastic profile       | Profile en plastique           | 3            | 80mm                    |
| 8               | 1                    | 487 1695-92            | Cover plate           | Plaque recouvrement            | 3            | Foremost                |
| 9               | -                    |                        |                       |                                |              | Not used                |
|                 | 2                    | 487 1821-03            | Cover plate           | Plaque recouvrement            | 3            |                         |
| 10              | 1                    | 487 1695-91            | Cover plate           | Plaque recouvrement            | 3            | Hindmost                |
| 11              | 2                    | 487 0281-71            | Sealing strip         | Bande d'étanchéité             | 1            | 640x45x5mm              |
| 12              | -                    |                        |                       |                                |              | Not used                |
|                 | 1                    | 487 2280-86            | Support roller        | Kit galet de soutien           | 3            | Left Complete           |
| 13              | -                    |                        |                       |                                |              | Not used                |
|                 | 1                    | 487 2280-87            | Support roller        | Kit galet de soutien           | 3            | Right Complete          |
| 14              | -                    |                        |                       |                                |              | Not used                |
|                 | 2                    | 487 2280-60            | •Shaft                | •Axe                           | 3            |                         |
| 15              | -                    |                        |                       |                                |              | Not used                |
|                 | 2                    | 487 1376-07            | •Support roller       | •Kit galet de soutien          | 3            |                         |
| 16              | -                    |                        |                       |                                |              | Not used                |
|                 | 2                    | 487 2280-61            | •Disc                 | •Disque                        | 3            | Ø25xØ10                 |
| 17              | -                    |                        |                       |                                |              | Not used                |
|                 | 2                    | 725 2497-51            | •Screw                | •Vis                           | 3            | M10X35                  |
| 18              | 1                    | 487 1820-45            | Rear panel            | Plaque arrière                 | 3            |                         |
|                 | 1                    | 487 2280-65            | Rear panel            | Plaque arrière                 | 3            |                         |
| 19              | 1                    | 487 1831-13            | Air reducing plate    | Tôle de réduction              | 3            | Gas                     |
| 20              | 2                    | 472 7308-01            | Bracket               | Doigt de verrouillage de porte | 3            |                         |
| 21              | 1                    | 471 7903-03            | Shaft                 | Axe                            | 3            |                         |
| 22              | 1                    | 472 7307-01            | Arm                   | Bras                           | 3            |                         |
| 23              | 1                    | 471 8502-18            | Disc                  | Disque                         | 3            | D=123,5                 |
| 24              | 1                    | 471 2068-48            | Insulation            | Isolation                      | 3            |                         |
| 25              | 1                    | 487 1897-05            | Microswitch           | Microrupteur                   | 1            |                         |
| 26              | 1                    | 487 1695-64            | Bottom plate          | Plaque du fond                 | 3            |                         |
|                 | 1                    | 487 1820-64            | Bottom plate          | Plaque du fond                 | 3            |                         |
| 27              | 1                    | 487 1763-08            | Coin meter accessory  | Accessoire comptemonnaie       | 3            | Müller                  |
| 28              | 1                    | 487 1756-20            | Coin box              | Boite à jetons                 | 3            | Silvergry -60500/104998 |
|                 | 1                    | 432 2230-01            | Coin box              | Boite à jetons                 | 3            | 60500/104999-           |
|                 | 1                    | 487 1756-20            | Coin box              | Boite à jetons                 | 3            | Silvergry -60750/103824 |
|                 | 1                    | 432 2230-01            | Coin box              | Boite à jetons                 | 3            | 60750/103825-           |
| 29              | 1                    | 487 1694-92            | Coin box              | Boîtier à jetons               | 3            | -60500/104998           |
|                 | 1                    | 487 1702-69            | Coin box              | Boîtier à jetons               | 3            | Japan -60500/104998     |
|                 | 1                    | 432 2233-02            | Coin box              | Boîtier à jetons               | 3            | 60500/104999-           |
|                 | 1                    | 487 1694-92            | Coin box              | Boîtier à jetons               | 3            | -60750/103824           |
|                 | 1                    | 487 1702-69            | Coin box              | Boîtier à jetons               | 3            | Japan -60750/103824     |
|                 | 1                    | 432 2233-02            | Coin box              | Boîtier à jetons               | 3            | 60750/103825-           |
| 30              | 1                    | 487 1781-23            | Air reducing plate    | Tôle de réduction              | 3            |                         |
|                 | 2                    | 487 1781-23            | Air reducing plate    | Tôle de réduction              | 3            | El 30kW                 |





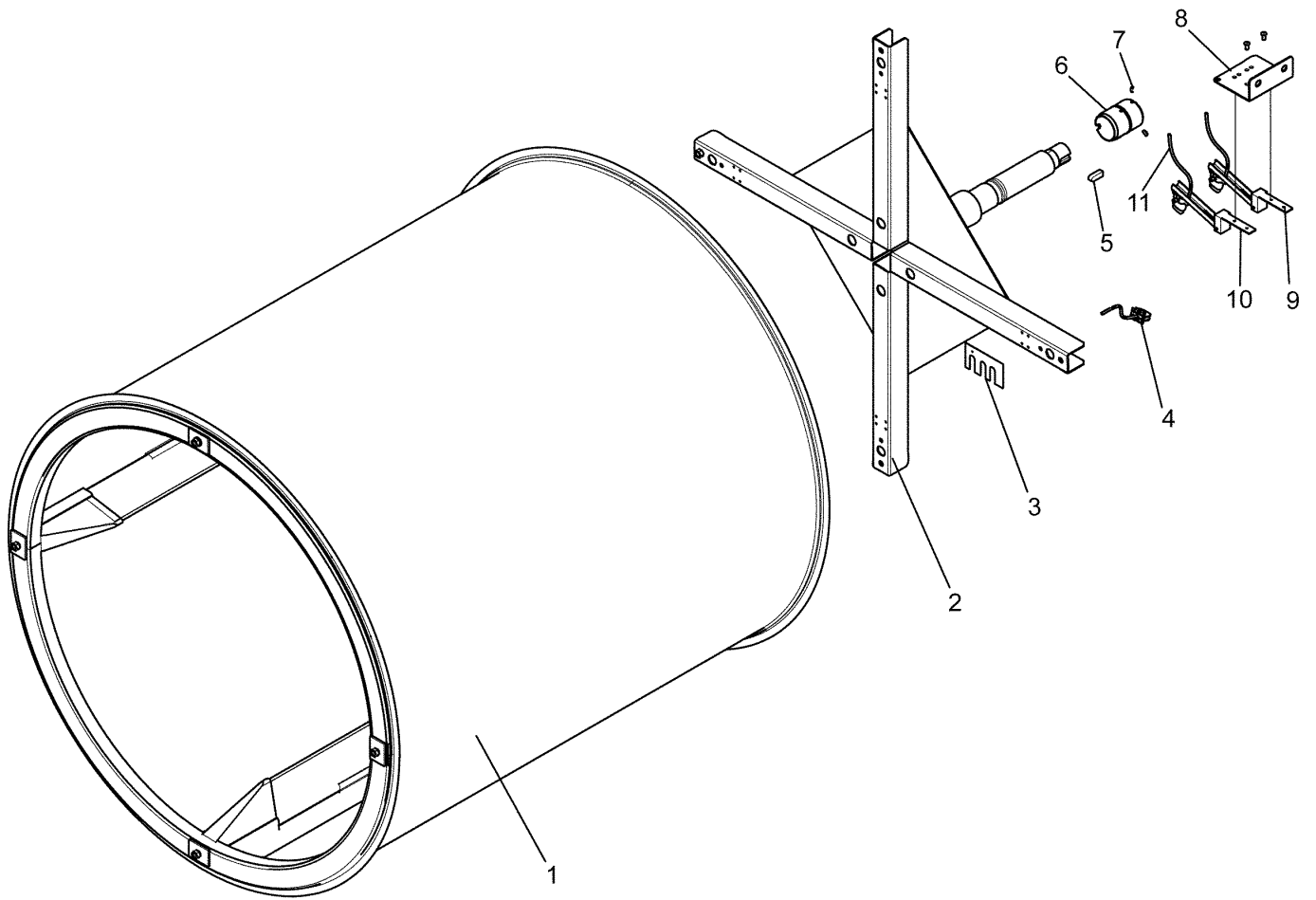
**TD60,TD77**

**Drum, complete**

**Tambour, complet**

|                 |          |          |             |
|-----------------|----------|----------|-------------|
| Illustration    | Issue    | Month    | Year        |
| Schéma          | Issue    | Month    | Year        |
| <b>200403/2</b> | <b>6</b> | <b>6</b> | <b>2010</b> |

| Item<br>Article | Quantity<br>Quantité | Art.No<br>Réf. article | Description        | Description       | Info<br>Info | Notes<br>Remarques |
|-----------------|----------------------|------------------------|--------------------|-------------------|--------------|--------------------|
| <b>31</b>       | TD60                 |                        |                    |                   |              |                    |
|                 | 1                    |                        | Air reducing plate | Tôle de réduction | 3            | Steam              |
|                 | TD77                 |                        |                    |                   |              |                    |
|                 | 1                    | <b>487 1831-72</b>     | Cable gland        | Passe-fil         | 3            | Ø16                |
|                 |                      | <b>762 1137-10</b>     |                    |                   |              |                    |



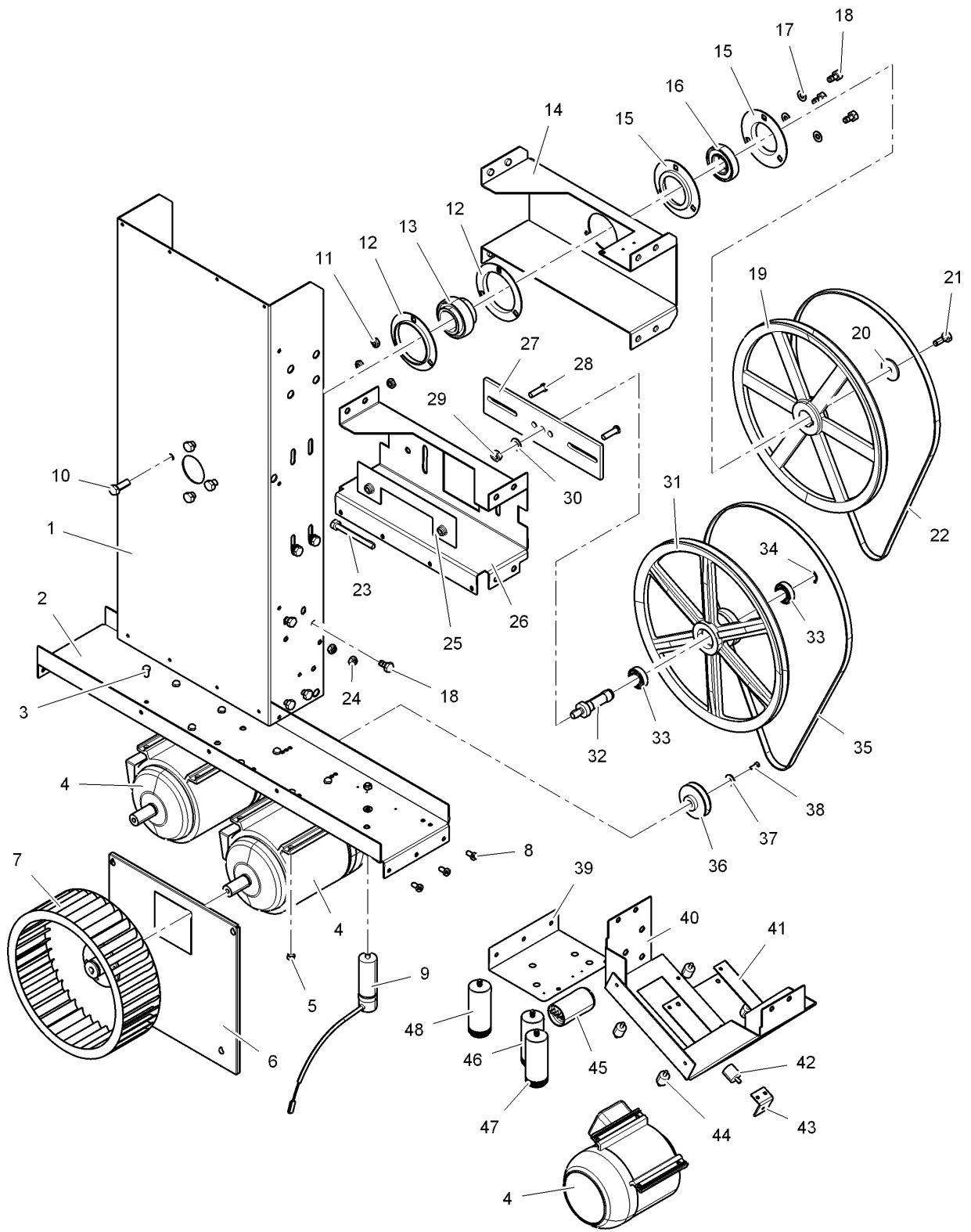
**TD60,TD77**

**Drum with moisture sensor**

**Tambour avec capteur humidité**

Illustration   Issue   Month   Year  
Schéma   Issue   Month   Year  
**200405/3   5   4   2010**

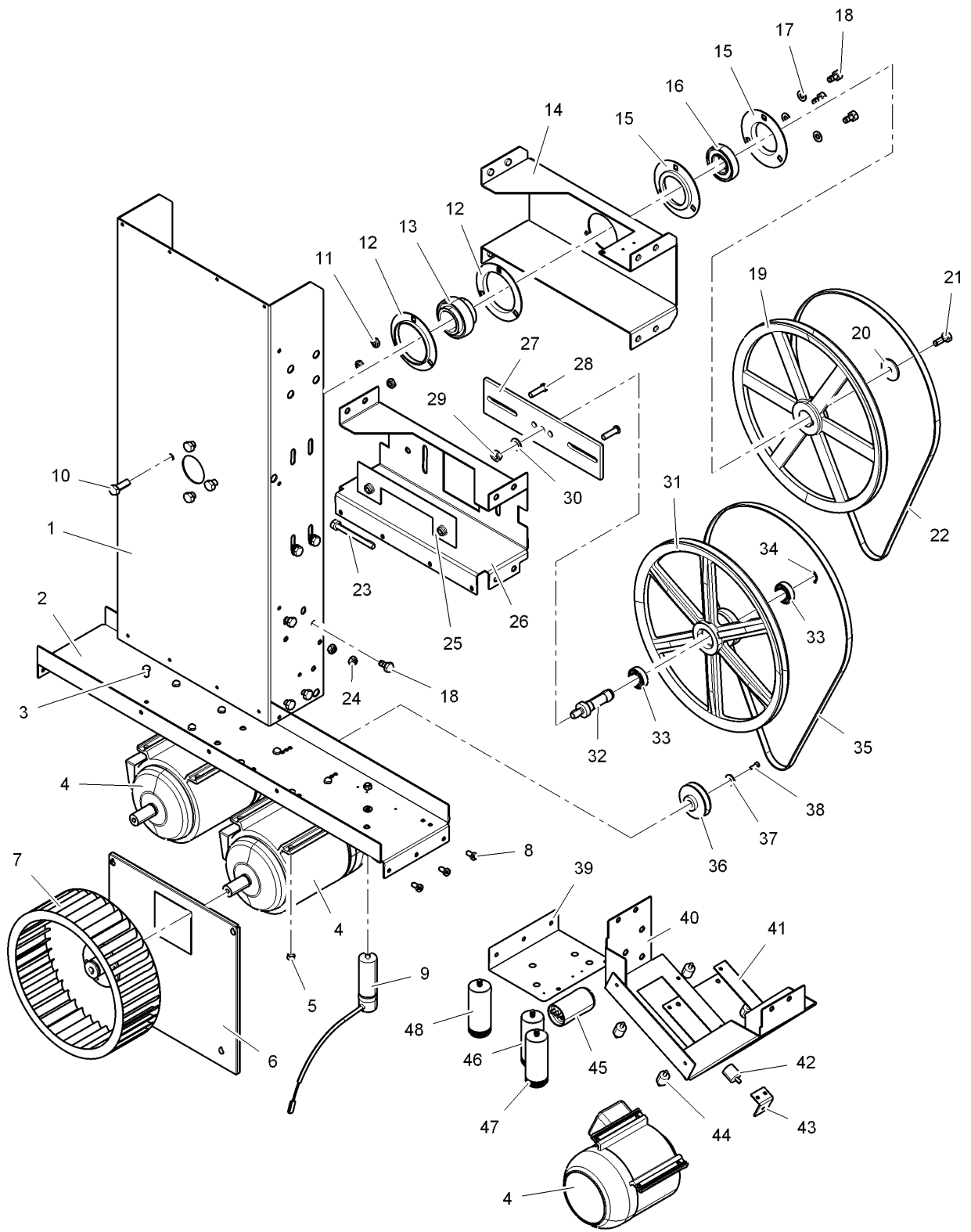
| Item<br>Article | Quantity<br>Quantité | Art.No<br>Réf. article | Description           | Description                 | Info<br>Info | Notes<br>Remarques |
|-----------------|----------------------|------------------------|-----------------------|-----------------------------|--------------|--------------------|
| TD60            |                      |                        |                       |                             |              |                    |
| TD77            |                      |                        |                       |                             |              |                    |
| <b>1</b>        | 1                    | <b>487 2430-53</b>     | Drum with shaft cross | Tambour avec croix d'arbres | 3            | Galvanized         |
|                 | 1                    | <b>487 2430-56</b>     | Drum with shaft cross | Tambour avec croix d'arbres | 3            | Stainless          |
|                 | 1                    | <b>487 2433-02</b>     | Drum with shaft cross | Tambour avec croix d'arbres | 3            | Galvanized         |
|                 | 1                    | <b>487 2433-05</b>     | Drum with shaft cross | Tambour avec croix d'arbres | 3            | Stainless          |
|                 | 1                    | <b>487 2430-59</b>     | Drum with shaft cross | Tambour avec croix d'arbres | 3            | Galvanized USA     |
|                 | 1                    | <b>487 2430-62</b>     | Drum with shaft cross | Tambour avec croix d'arbres | 3            | Stainless USA      |
|                 | 1                    | <b>487 2433-08</b>     | Drum with shaft cross | Tambour avec croix d'arbres | 3            | Galvanized USA     |
|                 | 1                    | <b>487 2433-26</b>     | Drum with shaft cross | Tambour avec croix d'arbres | 3            | Stainless USA      |
| <b>2</b>        | 1                    | <b>487 0150-12</b>     | •Shaft cross          | •Croix d'arbres             | 3            |                    |
| <b>3</b>        | 1                    | <b>487 2193-01</b>     | •Under lay            | •Entretoise                 | 3            | 0,7mm              |
|                 | 1                    | <b>487 1756-01</b>     | •Under lay            | •Entretoise                 | 3            | 1,0mm              |
|                 | 1                    | <b>487 2193-02</b>     | •Under lay            | •Entretoise                 | 3            | 1,2mm              |
|                 | 1                    | <b>487 1756-02</b>     | •Under lay            | •Entretoise                 | 3            | 1,5mm              |
| <b>4</b>        | 1                    | <b>487 1898-83</b>     | •Cable set            | •Ensemble de câbles         | 3            |                    |
| <b>5</b>        | 1                    | <b>487 0151-15</b>     | Wedge                 | Cheville                    | 3            | 10x8x27            |
| <b>6</b>        | 1                    | <b>487 1831-00</b>     | Sensor                | Décteur                     | 3            | Complete           |
| <b>7</b>        | 3                    | <b>728 5289-00</b>     | •Screw                | •Vis                        | 3            | M4x10              |
| <b>8</b>        | 1                    | <b>487 2280-64</b>     | Fitting               | Garniture                   | 3            |                    |
| <b>9</b>        | 1                    | <b>487 0101-98</b>     | Sensor                | Décteur                     | 3            | Complete Right     |
| <b>10</b>       | 1                    | <b>487 0101-97</b>     | Sensor                | Décteur                     | 3            | Complete Left      |
| <b>11</b>       | 1                    | <b>487 0510-44</b>     | Cable set             | Ensemble de câbles          | 3            |                    |



20 04 08

Issue Month Year  
05 01 10

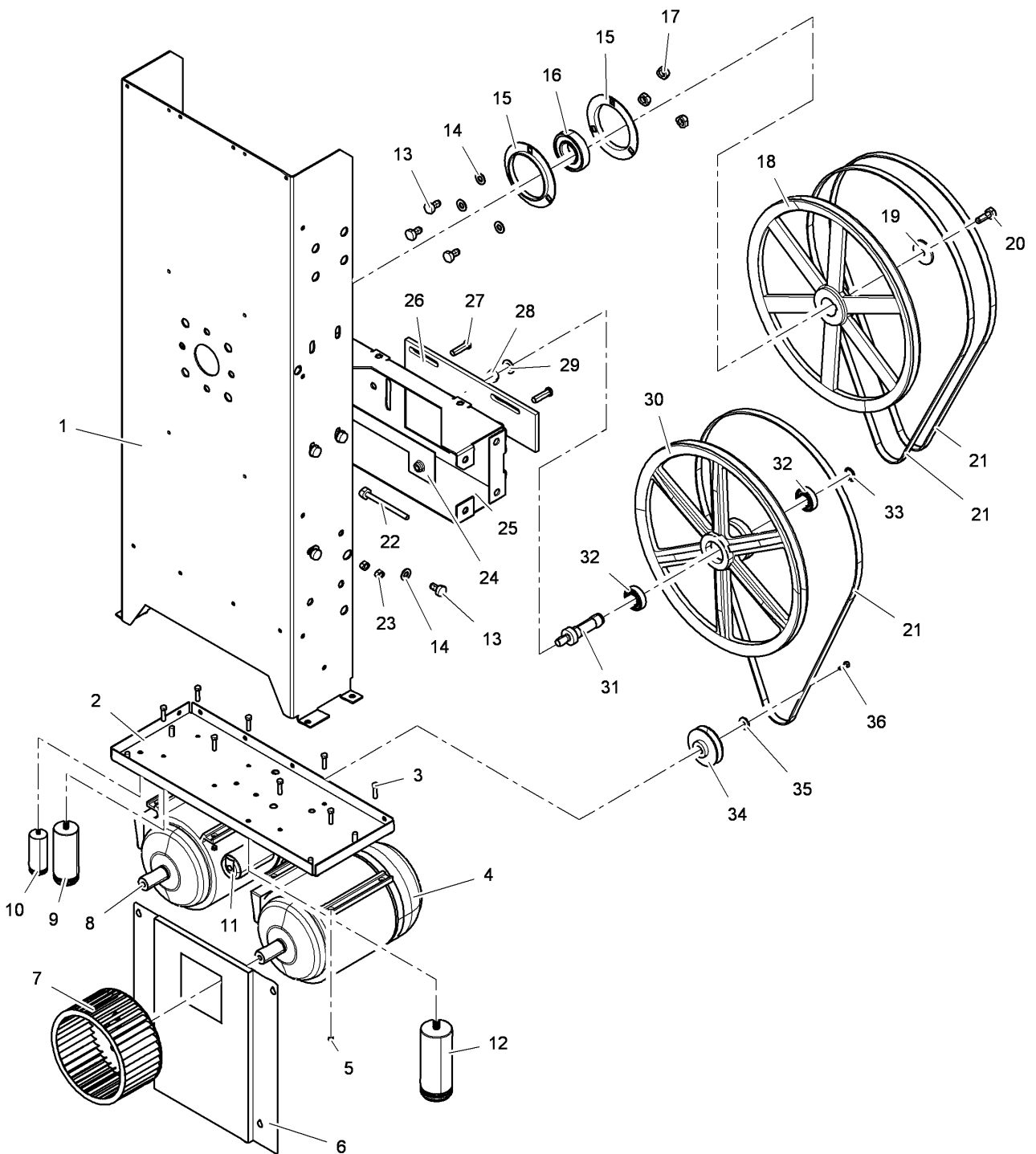
| <b>TD60</b>   |      |              |                |                                |          |                              |             |
|---------------|------|--------------|----------------|--------------------------------|----------|------------------------------|-------------|
| <b>Motor</b>  |      |              |                | Illustration                   | Issue    | Month                        | Year        |
| <b>Moteur</b> |      |              |                | Schéma                         | Issue    | Month                        | Year        |
|               |      |              |                | <b>200408/1</b>                | <b>9</b> | <b>1</b>                     | <b>2010</b> |
| Item          | Qua. | Art.No       | Description    | Description                    | Info     | Notes                        |             |
| Article       | Qua. | Réf. article |                |                                | Info     | Remarques                    |             |
| 1             | 1    | 487 1763-02  | Column         | Colonne                        | 3        |                              |             |
| 2             | 1    | 487 1763-01  | Motor bracket  | Appui de moteur                | 3        | 1AC                          |             |
|               | 1    | 487 2368-35  | Motor bracket  | Appui de moteur                | 3        | 1AC, with reversing          |             |
|               | 1    | 487 2368-35  | Motor bracket  | Appui de moteur                | 3        | 3AC                          |             |
| 3             | 8    | 725 2370-51  | Screw          | Vis                            | 3        | M6X20                        |             |
| 4             | Rq   | 487 0274-11  | Motor          | Moteur                         | 1        | 230-240V 1AC                 |             |
|               | 1    | 487 0510-55  | Cable set      | Ensemble de câbles             | 3        | 230-240V 1AC                 |             |
|               | 1    | 490 3500-05  | Cable set      | Jeu de câbles                  | 3        | 120-240V 1AC, with reversing |             |
|               | Rq   | 487 0274-00  | Motor          | Moteur                         | 1        | 120V 1AC 60Hz                |             |
|               | Rq   | 487 0274-02  | Motor          | Moteur                         | 1        | 208-240V 1AC 60Hz            |             |
|               | 1    | 487 0510-58  | Cable set      | Ensemble de câbles             | 3        | 120-240V 1AC                 |             |
|               | 1    | 490 3500-05  | Cable set      | Jeu de câbles                  | 3        | 120-240V 1AC, with reversing |             |
|               | Rq   | 487 0274-01  | Motor          | Moteur                         | 1        | 200-480V 3AC                 |             |
|               | 1    | 487 0510-56  | Cable set      | Ensemble de câbles             | 3        | 200-240V 3AC                 |             |
|               | 1    | 487 0510-57  | Cable set      | Ensemble de câbles             | 3        | 400-480V 3AC                 |             |
| 5             | 8    | 732 2116-01  | Locking nut    | Contre-écrou                   | 3        | M6                           |             |
| 6             | 1    | 487 1695-87  | Flange         | Bride                          | 3        |                              |             |
| 7             | 1    | 472 9927-01  | Fan wheel      | Poulie ventilateur             | 3        | Ø315                         |             |
|               | 1    | 487 1976-73  | Fan wheel      | Poulie ventilateur             | 3        | Ø280 120-208-240V 1AC        |             |
| 8             | 6    | 488 0150-16  | Screw          | Vis                            | 3        | Hex.6 ang.hole raw l         |             |
| 9             | Rq   | 487 1899-95  | Capacitor      | Condensateur                   | 1        | 16µF                         |             |
| 10            | 4    | 725 2538-51  | Screw          | Vis                            | 3        | M12X35                       |             |
| 11            | 6    | 731 2320-01  | Nut            | Écrou                          | 3        | M10                          |             |
| 12            | 1    | 487 1695-48  | Bearing disc   | Disque de roulement            | 3        |                              |             |
| 13            | 1    | 487 1695-49  | Bearing        | Coussinet                      | 1        |                              |             |
| 14            | 1    | 487 1695-30  | Schaft carrier | Porteur d'axe                  | 3        |                              |             |
| 15            | 1    | 487 1694-48  | Bearing disc   | Disque de roulement            | 3        |                              |             |
| 16            | 1    | 487 1695-53  | Bearing        | Coussinet                      | 1        |                              |             |
| 17            | 6    | 734 1173-01  | Disc           | Disque                         | 3        | Ø10,5/Ø21                    |             |
| 18            | 16   | 488 0142-20  | Bolt           | Boulon                         | 3        | M10X20                       |             |
| 19            | 1    | 487 0150-14  | Pulley         | Poulie                         | 3        |                              |             |
| 20            | 1    | 487 0151-86  | Disc           | Disque                         | 3        | Ø10,5/Ø44,5X4                |             |
| 21            | 1    | 488 0142-30  | Screw          | Vis                            | 3        | M10X30                       |             |
| 22            | 1    | 487 1694-55  | V-belt         | Courroie trapézoïdale          | 3        | 1AC                          |             |
|               | 2    | 487 1694-55  | V-belt         | Courroie trapézoïdale          | 3        | 3AC                          |             |
| 23            | 1    | 488 0118-99  | Screw          | Vis                            | 3        | M8X100                       |             |
| 24            | 6    | 731 2318-01  | Nut            | Écrou                          | 3        | M8                           |             |
| 25            | 1    | 487 1694-34  | Spacer         | Entretoise                     | 3        |                              |             |
| 26            | 1    | 487 1763-59  | Bracket        | Doigt de verrouillage de porte | 3        | 1AC                          |             |
|               | 1    | 487 1763-03  | Bracket        | Doigt de verrouillage de porte | 3        | 3AC                          |             |
| 27            | 1    | 487 1694-32  | Plate          | Plaque                         | 3        |                              |             |
| 28            | 2    | 725 2497-51  | Screw          | Vis                            | 3        | M10X35                       |             |
| 29            | 1    | 731 2322-01  | Nut            | Écrou                          | 3        | M12                          |             |
| 30            | 1    | 734 1176-01  | Disc           | Disque                         | 3        | M12                          |             |
| 31            | 1    | 487 1695-35  | Pulley         | Poulie+Bielle                  | 3        | Complete 50/60Hz             |             |
| 32            | 1    | 487 1694-35  | •Shaft         | •Axe                           | 3        |                              |             |
| 33            | 2    | 738 2104-04  | •Ball bearing  | •Roulement à billes            | 1        |                              |             |
| 34            | 1    | 735 3122-00  | •C-clamp       | •Attache en forme C            | 3        | D20                          |             |
| 35            | 1    | 487 1763-76  | V-belt         | Courroie trapézoïdale          | 3        |                              |             |
| 36            | 1    | 487 1695-26  | Pulley         | Poulie                         | 3        | 50Hz                         |             |
|               | 1    | 487 1695-27  | Pulley         | Poulie                         | 3        | 60Hz                         |             |
|               | 1    | 487 1897-61  | Pulley         | Poulie                         | 3        | 60Hz USA                     |             |
|               | 1    | 487 1695-27  | Pulley         | Poulie                         | 3        | 60Hz With reversing          |             |
| 37            | 1    | 471 9018-51  | Disc           | Disque                         | 3        | Ø6,4/ Ø22                    |             |
| 38            | 1    | 725 2329-51  | Screw          | Vis                            | 3        | M5X16                        |             |
| 39            | 1    | 487 2237-96  | Bracket        | Doigt de verrouillage de porte | 3        |                              |             |



20 04 08

Issue Month Year  
05 01 10

| <b>TD60</b>     |              |                        |               |                       |              |                        |             |
|-----------------|--------------|------------------------|---------------|-----------------------|--------------|------------------------|-------------|
| <b>Motor</b>    |              |                        |               | Illustration          | Issue        | Month                  | Year        |
| <b>Moteur</b>   |              |                        |               | Schéma                | Issue        | Month                  | Year        |
|                 |              |                        |               | <b>200408/1</b>       | <b>9</b>     | <b>1</b>               | <b>2010</b> |
| Item<br>Article | Qua.<br>Qua. | Art.No<br>Réf. article | Description   | Description           | Info<br>Info | Notes<br>Remarques     |             |
| <b>40</b>       | 1            | <b>487 2237-95</b>     | Bracket       | Console               | 3            |                        |             |
| <b>41</b>       | 1            | <b>487 2237-93</b>     | Motor bracket | Appui de moteur       | 3            |                        |             |
| <b>42</b>       | 1            | <b>487 2237-91</b>     | Rubber buffer | Amortisseur caotchouc | 3            | Ø25                    |             |
| <b>43</b>       | 1            | <b>487 2237-94</b>     | Fitting       | Garniture             | 3            |                        |             |
| <b>44</b>       | 4            | <b>487 2237-92</b>     | Rubber buffer | Amortisseur caotchouc | 3            | Ø20                    |             |
| <b>45</b>       | 1            | <b>471 9566-01</b>     | Relay         | Relais                | 1            | 120V 1AC/ Start        |             |
|                 | 1            | <b>471 9566-05</b>     | Relay         | Relais                | 1            | 208-240V 1AC/ Start    |             |
| <b>46</b>       | Rq           | <b>471 9525-26</b>     | Capacitor     | Condensateur          | 1            | 25µF 208-240V 1AC 60Hz |             |
| <b>47</b>       | Rq           | <b>487 0289-51</b>     | Capacitor     | Condensateur          | 1            | 80µF 120V 1AC 60Hz     |             |
|                 | Rq           | <b>487 1899-95</b>     | Capacitor     | Condensateur          | 1            | 16µF 208-240V 1AC 60Hz |             |
| <b>48</b>       | Rq           | <b>487 1703-98</b>     | Capacitor     | Condensateur          | 1            | 70µF 120V 1AC 60Hz     |             |

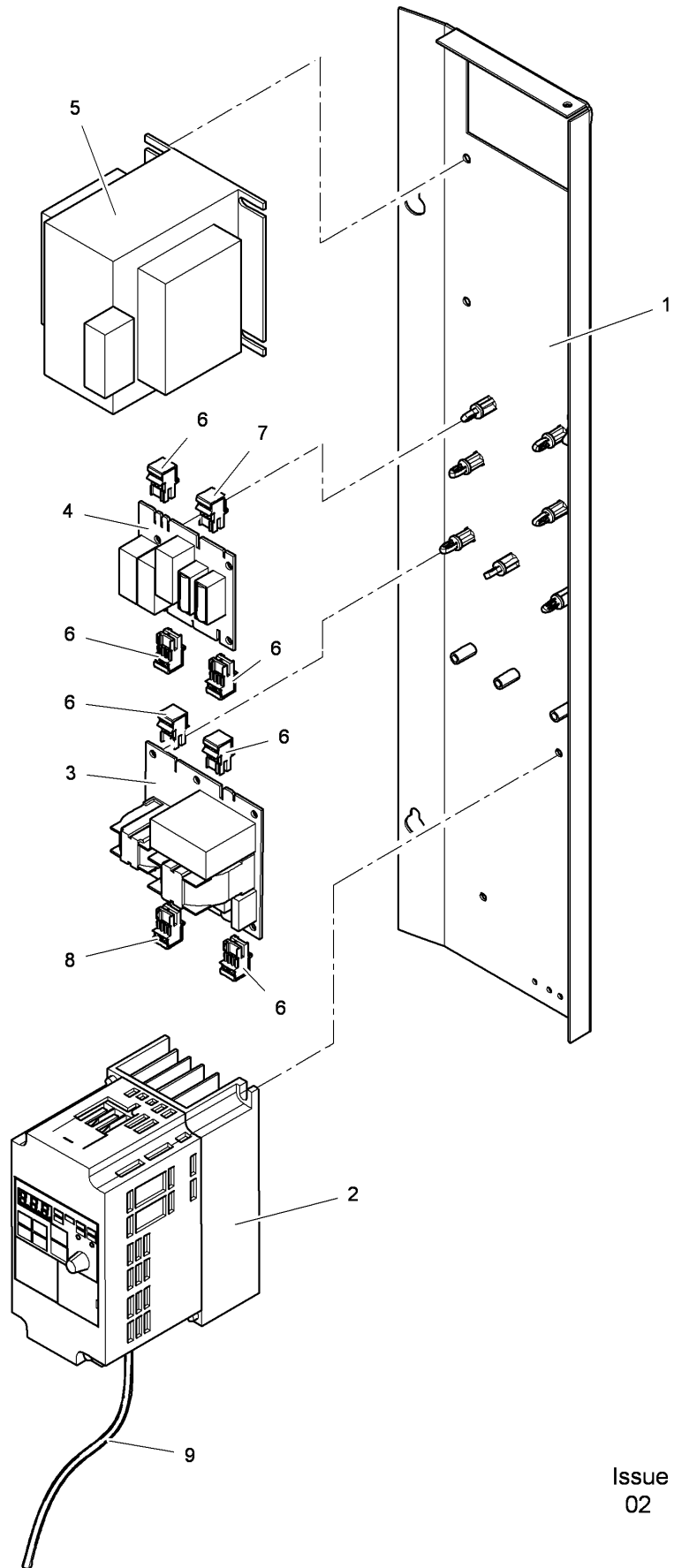


20 04 09

Issue Month Year  
04 01 09



| <b>TD77</b>   |      |              |               |                                |          |                              |             |
|---------------|------|--------------|---------------|--------------------------------|----------|------------------------------|-------------|
| <b>Motor</b>  |      |              |               | Illustration                   | Issue    | Month                        | Year        |
| <b>Moteur</b> |      |              |               | Schéma                         | Issue    | Month                        | Year        |
|               |      |              |               | <b>200409/3</b>                | <b>5</b> | <b>1</b>                     | <b>2010</b> |
| Item          | Qua. | Art.No       | Description   | Description                    | Info     | Notes                        |             |
| Article       | Qua. | Réf. article |               |                                | Info     | Remarques                    |             |
| 1             | 1    | 487 1816-78  | Column        | Colonne                        | 3        |                              |             |
| 2             | 1    | 487 2368-32  | Motor bracket | Appui de moteur                | 3        |                              |             |
| 3             | 8    | 725 2372-51  | Screw         | Vis                            | 3        | M6X25                        |             |
| 4             | 1    | 487 0274-05  | Motor         | Moteur                         | 1        | 120V 1AC 60Hz Fan wheel      |             |
|               | 1    | 487 0274-04  | Motor         | Moteur                         | 1        | 208-240V 1AC 60Hz Fan wheel  |             |
|               | 1    | 487 0510-59  | Cable set     | Ensemble de câbles             | 3        | 120-240V 1AC                 |             |
|               | 1    | 490 3500-03  | Cable set     | Jeu de câbles                  | 3        | 120-240V 1AC, with reversing |             |
|               | 1    | 487 0274-06  | Motor         | Moteur                         | 1        | 200-480V 3AC Fan wheel       |             |
|               | 1    | 487 0510-56  | Cable set     | Ensemble de câbles             | 3        | 200-240V 3AC                 |             |
|               | 1    | 487 0510-57  | Cable set     | Ensemble de câbles             | 3        | 400-480V 3AC                 |             |
| 5             | 8    | 732 2116-01  | Locking nut   | Contre-écrou                   | 3        | M6                           |             |
| 6             | 1    | 487 2368-50  | Flange        | Bride                          | 3        |                              |             |
|               | 1    | 487 1695-87  | Flange        | Bride                          | 3        | USA                          |             |
| 7             | 1    | 487 1976-74  | Fan wheel     | Poulie ventilateur             | 3        | Ø180                         |             |
| 8             | 1    | 487 0274-00  | Motor         | Moteur                         | 1        | 120V 1AC 60Hz                |             |
|               | 1    | 487 0274-02  | Motor         | Moteur                         | 1        | 208-240V 1AC 60Hz            |             |
|               | 1    | 487 0510-59  | Cable set     | Ensemble de câbles             | 3        | 120-240V 1AC                 |             |
|               | 1    | 490 3500-03  | Cable set     | Jeu de câbles                  | 3        | 120-240V 1AC, with reversing |             |
|               | 1    | 487 0274-01  | Motor         | Moteur                         | 1        | 200-480V 3AC                 |             |
|               | 1    | 487 0510-56  | Cable set     | Ensemble de câbles             | 3        | 200-240V 3AC                 |             |
|               | 1    | 487 0510-57  | Cable set     | Ensemble de câbles             | 3        | 400-480V 3AC                 |             |
| 9             | 1    | 487 0289-51  | Capacitor     | Condensateur                   | 1        | 80µF 120V 1AC/ Start         |             |
|               | 1    | 471 9525-26  | Capacitor     | Condensateur                   | 1        | 25µF 208-240V 1AC/ Start     |             |
| 10            | 1    | 487 1703-98  | Capacitor     | Condensateur                   | 1        | 70µF 120V 1AC/ Working       |             |
|               | 1    | 487 1899-91  | Capacitor     | Condensateur                   | 1        | 16µF 208-240V 1AC/ Working   |             |
| 11            | 1    | 471 9566-01  | Relay         | Relais                         | 1        | 120V 1AC/ Start              |             |
|               | 1    | 471 9566-05  | Relay         | Relais                         | 1        | 208-240V 1AC/ Start          |             |
| 12            | 1    | 487 1703-99  | Capacitor     | Condensateur                   | 1        | 40µF 120V 1AC/ Working       |             |
|               | 1    | 487 1535-76  | Capacitor     | Condensateur                   | 1        | 10µF 208-240V 1AC/ Working   |             |
| 13            | 7    | 488 0142-20  | Bolt          | Boulon                         | 3        | M10X20                       |             |
| 14            | 7    | 734 1173-01  | Disc          | Disque                         | 3        | Ø10,5/Ø21                    |             |
| 15            | 1    | 487 1695-48  | Bearing disc  | Disque de roulement            | 3        |                              |             |
| 16            | 1    | 487 1695-49  | Bearing       | Coussinet                      | 1        |                              |             |
| 17            | 3    | 731 2320-01  | Nut           | Écrou                          | 3        | M10                          |             |
| 18            | 1    | 487 0151-14  | Pulley        | Poulie                         | 3        |                              |             |
| 19            | 1    | 487 0151-86  | Disc          | Disque                         | 3        | Ø10,5/Ø44,5X4                |             |
| 20            | 1    | 488 0142-30  | Screw         | Vis                            | 3        | M10X30                       |             |
| 21            | 3    | 487 1831-79  | V-belt        | Courroie trapézoïdale          | 1        |                              |             |
| 22            | 1    | 488 0118-99  | Screw         | Vis                            | 3        | M8X100                       |             |
| 23            | 2    | 731 2318-01  | Nut           | Écrou                          | 3        | M8                           |             |
| 24            | 1    | 487 1694-34  | Spacer        | Entretoise                     | 3        |                              |             |
| 25            | 1    | 487 1829-53  | Bracket       | Doigt de verrouillage de porte | 3        |                              |             |
| 26            | 1    | 487 1829-74  | Plate         | Plaque                         | 3        |                              |             |
| 27            | 2    | 725 2497-51  | Screw         | Vis                            | 3        | M10X35                       |             |
| 28            | 1    | 731 2322-01  | Nut           | Écrou                          | 3        | M12                          |             |
| 29            | 1    | 734 1176-01  | Disc          | Disque                         | 3        | M12                          |             |
| 30            | 1    | 487 1831-35  | Pulley        | Poulie+Bielle                  | 3        |                              |             |
| 31            | 1    | 487 1694-35  | •Shaft        | •Axe                           | 3        |                              |             |
| 32            | 2    | 738 2104-04  | •Ball bearing | •Roulement à billes            | 1        |                              |             |
| 33            | 1    | 735 3122-00  | •C-clamp      | •Attache en forme C            | 3        | D20                          |             |
| 34            | 1    | 487 1695-04  | Pulley        | Poulie                         | 3        | 50Hz                         |             |
|               | 1    | 487 1695-03  | Pulley        | Poulie                         | 3        | 60Hz                         |             |
|               | 1    | 487 1897-62  | Pulley        | Poulie                         | 3        | 60Hz USA                     |             |
| 35            | 1    | 471 9018-51  | Disc          | Disque                         | 3        | Ø6,4/ Ø22                    |             |
| 36            | 1    | 488 0139-16  | Screw         | Vis                            | 3        | M5X16                        |             |



50 00 02

Issue Month Year  
02 12 08

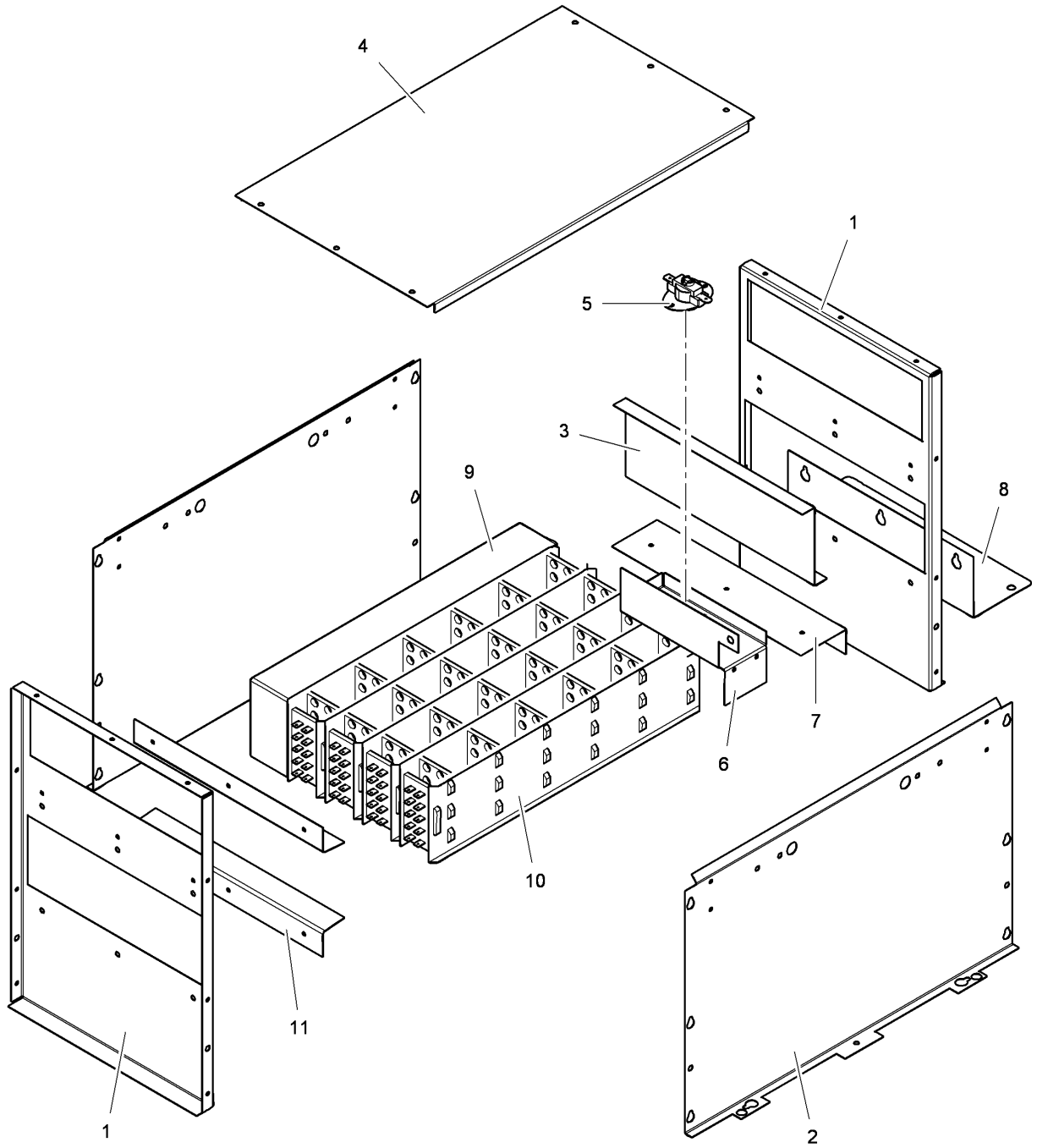
**TD60,TD77**

**Frequency converter**

**Convertisseur de fréquence**

Illustration Issue Month Year  
Schéma Issue Month Year  
**500002 2 8 2008**

| Item<br>Article | Qua.<br>Qua. | Art.No<br>Réf. article | Description         | Description                | Info<br>Info | Notes<br>Remarques  |
|-----------------|--------------|------------------------|---------------------|----------------------------|--------------|---------------------|
| <b>1</b>        | 1            | <b>487 3175-01</b>     | Assembly plate      | Plaque de montage          | 3            |                     |
| <b>2</b>        | 1            | <b>471 9790-13</b>     | Frequency converter | Convertisseur de fréquence | 3            |                     |
| <b>3</b>        | 1            | <b>438 8768-01</b>     | Filter              | Filtre                     | 3            |                     |
| <b>4</b>        | 1            | <b>438 8766-01</b>     | Interface           | Interface                  | 3            |                     |
| <b>5</b>        | 1            | <b>438 9566-02</b>     | Transformer         | Transformateur             | 3            |                     |
| <b>6</b>        | 1            | <b>487 0528-11</b>     | Cable set           | Ensemble de câbles         | 3            |                     |
| <b>7</b>        | 1            | <b>487 0528-10</b>     | Cable set           | Ensemble de câbles         | 3            | With transformer    |
|                 | 1            | <b>487 0528-09</b>     | Cable set           | Ensemble de câbles         | 3            | Without transformer |
| <b>8</b>        | 1            | <b>487 0528-08</b>     | Cable set           | Ensemble de câbles         | 3            |                     |
| <b>9</b>        | 1            | <b>487 0528-05</b>     | Cable set           | Ensemble de câbles         | 3            | Potentiometer       |



20 04 14

Issue Month Year  
02 11 08

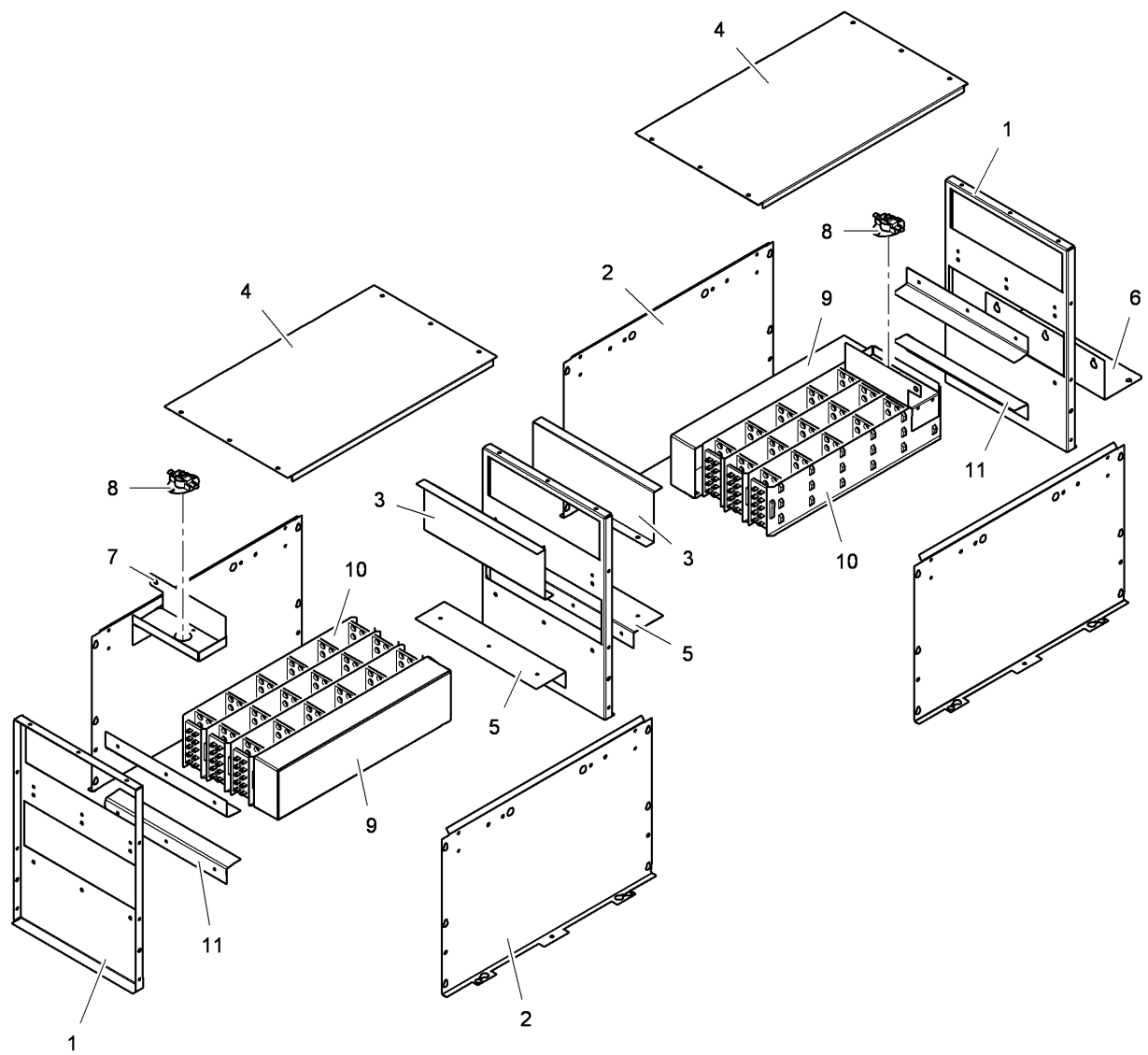
**TD60**

**Heating unit, electric**

**Unité de chauffage, électrique**

Illustration Issue Month Year  
Schéma Issue Month Year  
**200414/1 4 1 2009**

| Item<br>Article | Qua.<br>Qua. | Art.No<br>Réf. article | Description         | Description                    | Info<br>Info | Notes<br>Remarques |
|-----------------|--------------|------------------------|---------------------|--------------------------------|--------------|--------------------|
| <b>1</b>        | 2            | <b>487 1781-11</b>     | Cover plate         | Plaque recouvrement            | 3            |                    |
| <b>2</b>        | 2            | <b>487 1781-04</b>     | Side plate          | Plaque de côté                 | 3            |                    |
| <b>3</b>        | 1            | <b>487 1781-17</b>     | Clamp               | Collier                        | 3            |                    |
| <b>4</b>        | 1            | <b>487 1781-13</b>     | Top panel           | Panneau supérieur              | 3            |                    |
| <b>5</b>        | 1            | <b>487 1697-07</b>     | Overheat protection | Protection supérieure          | 1            | 175°C 175°C        |
| <b>6</b>        | 1            | <b>487 1781-22</b>     | Bracket             | Console                        | 3            |                    |
| <b>7</b>        | 1            | <b>487 1781-16</b>     | Bracket             | Doigt de verrouillage de porte | 3            |                    |
| <b>8</b>        | 1            | <b>487 2368-34</b>     | Shelf               | Planche                        | 3            |                    |
| <b>9</b>        | 1            | <b>487 1781-19</b>     | Air reducing plate  | Tôle de réduction              | 3            | 24kW               |
| <b>10</b>       | RQ           | <b>487 1715-92</b>     | Heating element     | Élément chauffant              | 1            | 200V 6kW           |
|                 | RQ           | <b>487 1715-84</b>     | Heating element     | Élément chauffant              | 1            | 230V 6kW           |
|                 | RQ           | <b>487 1715-85</b>     | Heating element     | Élément chauffant              | 1            | 240V 6kW           |
|                 | RQ           | <b>487 1715-86</b>     | Heating element     | Élément chauffant              | 1            | 254V 6kW           |
|                 | RQ           | <b>487 1715-90</b>     | Heating element     | Élément chauffant              | 1            | 277V 6kW           |
| <b>11</b>       | 2            | <b>487 1781-15</b>     | Bracket             | Doigt de verrouillage de porte | 3            |                    |



20 04 15

Issue Month Year  
02 11 08

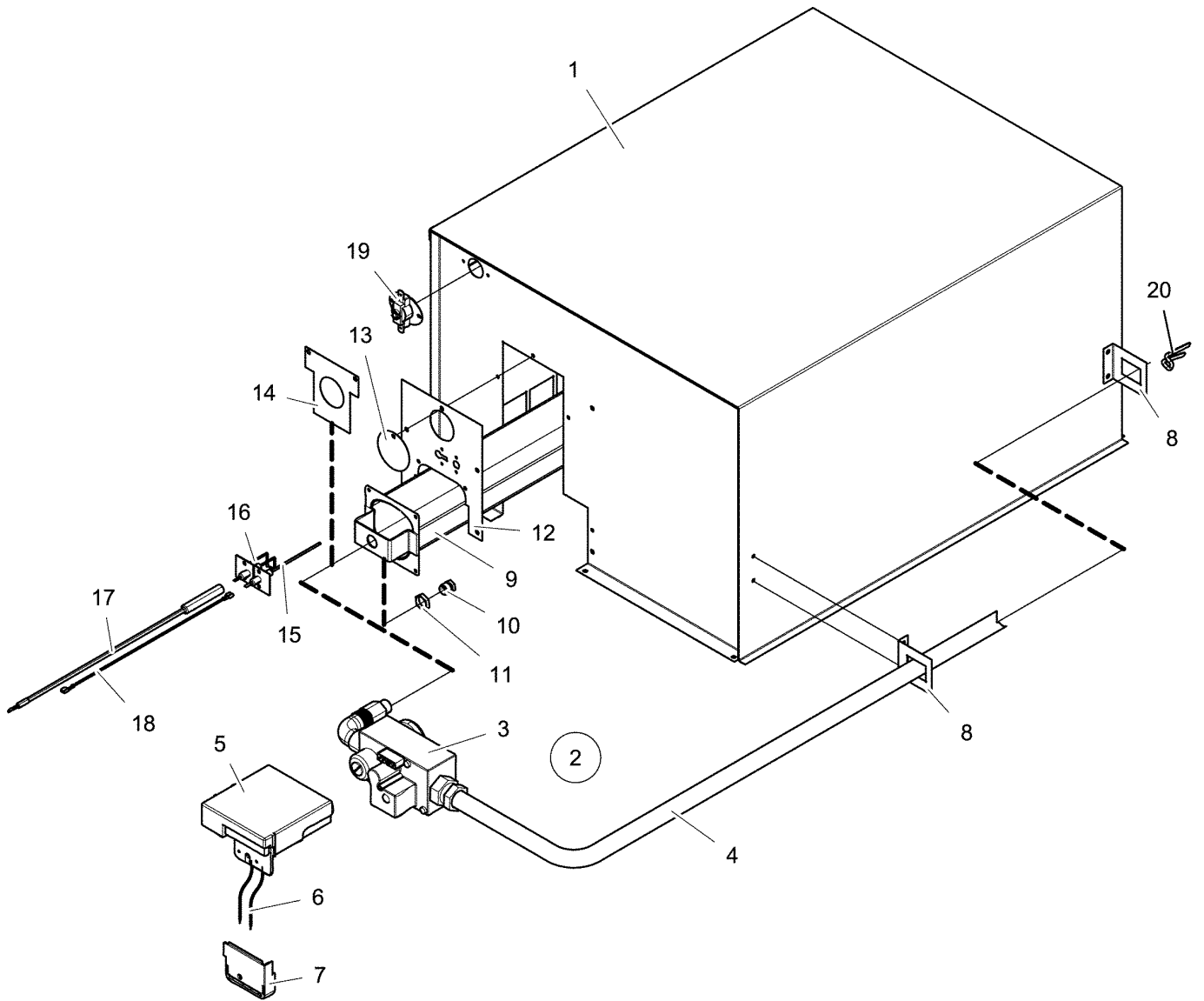
**TD77**

**Heating unit, electric**

**Unité de chauffage, électrique**

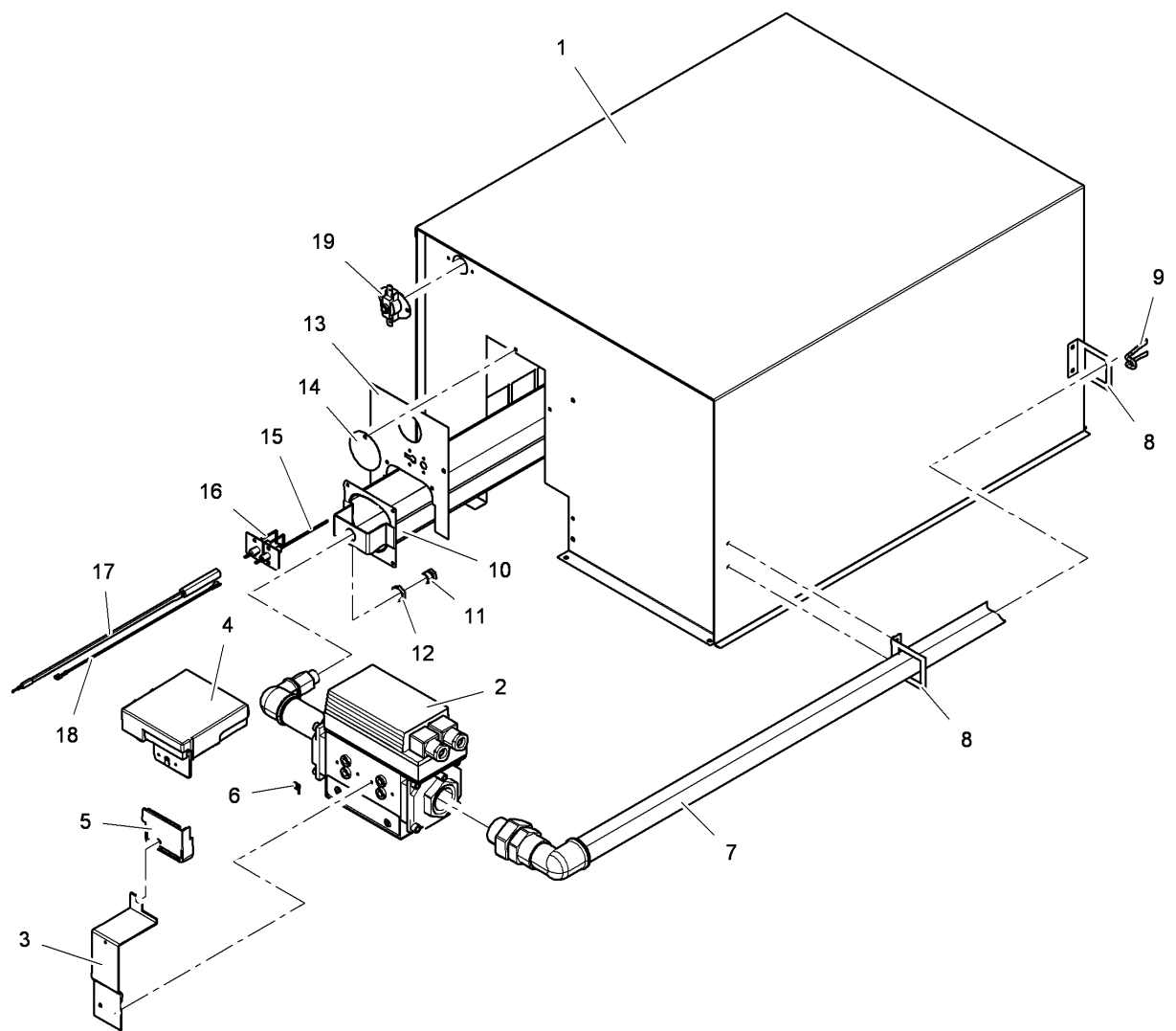
Illustration Issue Month Year  
Schéma Issue Month Year  
**200415/1 4 1 2009**

| Item<br>Article | Qua.<br>Qua. | Art.No<br>Réf. article | Description         | Description                    | Info<br>Info | Notes<br>Remarques |
|-----------------|--------------|------------------------|---------------------|--------------------------------|--------------|--------------------|
| <b>1</b>        | 2            | <b>487 1781-11</b>     | Cover plate         | Plaque recouvrement            | 3            | 30kW               |
|                 | 3            | <b>487 1781-11</b>     | Cover plate         | Plaque recouvrement            | 3            | 36kW               |
| <b>2</b>        | 2            | <b>487 1781-04</b>     | Side plate          | Plaque de côté                 | 3            | 30kW               |
|                 | 4            | <b>487 1781-04</b>     | Side plate          | Plaque de côté                 | 3            | 36kW               |
| <b>3</b>        | 1            | <b>487 1781-17</b>     | Clamp               | Collier                        | 3            | 30kW               |
|                 | 2            | <b>487 1781-17</b>     | Clamp               | Collier                        | 3            | 36kW               |
| <b>4</b>        | 1            | <b>487 1781-13</b>     | Top panel           | Panneau supérieur              | 3            | 30kW               |
|                 | 2            | <b>487 1781-13</b>     | Top panel           | Panneau supérieur              | 3            | 36kW               |
| <b>5</b>        | 1            | <b>487 1781-16</b>     | Bracket             | Doigt de verrouillage de porte | 3            | 30kW               |
|                 | 2            | <b>487 1831-11</b>     | Bracket             | Doigt de verrouillage de porte | 3            | 36kW               |
| <b>6</b>        | 1            | <b>487 2368-34</b>     | Shelf               | Planche                        | 3            |                    |
| <b>7</b>        | 1            | <b>487 1781-22</b>     | Bracket             | Console                        | 3            | 30kW               |
|                 | 2            | <b>487 1781-22</b>     | Bracket             | Console                        | 3            | 36kW               |
| <b>8</b>        | 1            | <b>487 1697-07</b>     | Overheat protection | Protection supérieure          | 1            | 175°C 30kW         |
|                 | 2            | <b>487 1697-07</b>     | Overheat protection | Protection supérieure          | 1            | 175°C 36kW         |
| <b>9</b>        | 1            | <b>487 1781-19</b>     | Air reducing plate  | Tôle de réduction              | 3            | 30kW               |
|                 | 2            | <b>487 1781-19</b>     | Air reducing plate  | Tôle de réduction              | 3            | 36kW               |
| <b>10</b>       | RQ           | <b>487 1715-93</b>     | Heating element     | Élément chauffant              | 1            | 200V 4,5kW         |
|                 | RQ           | <b>487 1715-87</b>     | Heating element     | Élément chauffant              | 1            | 230V 4,5kW         |
|                 | RQ           | <b>487 1715-88</b>     | Heating element     | Élément chauffant              | 1            | 240V 4,5kW         |
|                 | RQ           | <b>487 1715-89</b>     | Heating element     | Élément chauffant              | 1            | 254V 4,5kW         |
|                 | RQ           | <b>487 1715-91</b>     | Heating element     | Élément chauffant              | 1            | 277V 4,5kW         |
|                 | RQ           | <b>487 1715-92</b>     | Heating element     | Élément chauffant              | 1            | 200V 6kW           |
|                 | RQ           | <b>487 1715-84</b>     | Heating element     | Élément chauffant              | 1            | 230V 6kW           |
|                 | RQ           | <b>487 1715-85</b>     | Heating element     | Élément chauffant              | 1            | 240V 6kW           |
|                 | RQ           | <b>487 1715-86</b>     | Heating element     | Élément chauffant              | 1            | 254V 6kW           |
|                 | RQ           | <b>487 1715-90</b>     | Heating element     | Élément chauffant              | 1            | 277V 6kW           |
| <b>11</b>       | 2            | <b>487 1781-15</b>     | Bracket             | Doigt de verrouillage de porte | 3            | 30kW               |
|                 | 4            | <b>487 1781-15</b>     | Bracket             | Doigt de verrouillage de porte | 3            | 36kW               |





| <b>TD60</b>                    |      |                    |                     | Illustration                   | Issue    | Month                      | Year        |
|--------------------------------|------|--------------------|---------------------|--------------------------------|----------|----------------------------|-------------|
| <b>Heating unit, gas</b>       |      |                    |                     | Schéma                         | Issue    | Month                      | Year        |
| <b>Unité de chauffage, gaz</b> |      |                    |                     | <b>200420/1</b>                | <b>9</b> | <b>6</b>                   | <b>2011</b> |
| Item                           | Qua. | Art.No             | Description         | Description                    | Info     | Notes                      |             |
| Article                        | Qua. | Réf. article       |                     |                                | Info     | Remarques                  |             |
| <b>1</b>                       | 1    | <b>487 1975-41</b> | Combustion chamber  | Chambre de combustion          | 3        |                            |             |
| <b>2</b>                       | 1    | <b>487 2430-70</b> | Gas valve with pipe | Vanne de gaz avec tube         | 3        | Complete -60500/104791     |             |
|                                | 1    | <b>487 6457-01</b> | Gas valve with pipe | Vanne de gaz avec tube         | 3        | Complete 60500/104792-     |             |
|                                | 1    | <b>487 2433-76</b> | Gas valve with pipe | Vanne de gaz avec tube         | 3        | Complete USA -60500/104791 |             |
|                                | 1    | <b>487 6458-01</b> | Gas valve with pipe | Vanne de gaz avec tube         | 3        | Complete USA 60500/104792- |             |
| <b>3</b>                       | 1    | <b>487 1437-25</b> | •Gas valve          | •Vanne de gaz                  | 3        | 110V -60500/104791         |             |
|                                | 1    | <b>471 9891-01</b> | •Gas valve          | •Vanne de gaz                  | 3        | 110V 60500/104792-         |             |
| <b>4</b>                       | 1    | <b>487 2368-12</b> | •Pipe               | •Tube                          | 3        | 1/2"                       |             |
|                                | 1    | <b>487 2368-37</b> | •Pipe               | •Tube                          | 3        | 1/2" USA                   |             |
| <b>5</b>                       | 1    | <b>487 1438-25</b> | Control box         | Boîtier de contrôle            | 3        | 110V -60500/104791         |             |
|                                | 1    | <b>471 9890-02</b> | Control box         | Boîtier de contrôle            | 3        | 110V 60500/104792-         |             |
| <b>6</b>                       | 1    | <b>487 0510-73</b> | Cable set           | Ensemble de câbles             | 3        | -60500/104791              |             |
|                                | 1    | <b>487 2666-85</b> | Cable set           | Jeu de câbles                  | 3        | 60500/104792-              |             |
| <b>7</b>                       | 1    | <b>487 1438-21</b> | Cover               | Capot                          | 3        | -60500/104791              |             |
| <b>8</b>                       | 2    | <b>487 1701-19</b> | Bracket             | Doigt de verrouillage de porte | 3        | 1/2"                       |             |
| <b>9</b>                       | 1    | <b>487 1764-86</b> | Gas burner          | Radiateur à gaz                | 3        |                            |             |
|                                | 1    | <b>487 1897-93</b> | Gas burner          | Radiateur à gaz                | 3        | USA                        |             |
| <b>10</b>                      | 1    | <b>487 1815-03</b> | Kit. LPG conversion | Kit. LPG conversion            | 1        |                            |             |
|                                | 1    | <b>471 9853-58</b> | •Nozzle             | •Buse                          | 1        | Ø3,4 0-1999FT, LPG         |             |
|                                | 1    | <b>487 1815-25</b> | Kit. LPG conversion | Kit. LPG conversion            | 1        |                            |             |
|                                | 1    | <b>471 1953-68</b> | •Nozzle             | •Buse                          | 1        | Ø3,3 2000-3999FT, LPG      |             |
|                                | 1    | <b>487 1815-26</b> | Kit. LPG conversion | Kit. LPG conversion            | 1        |                            |             |
|                                | 1    | <b>471 1953-82</b> | •Nozzle             | •Buse                          | 1        | Ø3,2 4000-5999FT, LPG      |             |
|                                | 1    | <b>487 1815-27</b> | Kit. LPG conversion | Kit. LPG conversion            | 1        |                            |             |
|                                | 1    | <b>471 1953-57</b> | •Nozzle             | •Buse                          | 1        | Ø3,1 6000-8000FT, LPG      |             |
|                                | 1    | <b>471 9853-81</b> | Nozzle              | Buse                           | 1        | Ø5,6 0-1999FT, GNH         |             |
|                                | 1    | <b>471 9853-87</b> | Nozzle              | Buse                           | 1        | Ø5,4 2000-3999FT, GNH      |             |
|                                | 1    | <b>471 9853-90</b> | Nozzle              | Buse                           | 1        | Ø5,2 4000-5999FT, GNH      |             |
|                                | 1    | <b>471 9853-54</b> | Nozzle              | Buse                           | 1        | Ø5,0 6000-8000FT, GNH      |             |
|                                | 1    | <b>471 9853-82</b> | Nozzle              | Buse                           | 1        | Ø3,2 LPG                   |             |
|                                | 1    | <b>471 9853-48</b> | Nozzle              | Buse                           | 1        | Ø3,5 GN/ GLP Australia     |             |
|                                | 1    | <b>471 9853-76</b> | Nozzle              | Buse                           | 1        | Ø4,7 N Fr + B              |             |
|                                | 1    | <b>471 9853-81</b> | Nozzle              | Buse                           | 1        | Ø5,6 GNH                   |             |
|                                | 1    | <b>471 9853-84</b> | Nozzle              | Buse                           | 1        | Ø6,2 GNL                   |             |
| <b>11</b>                      | 1    | <b>471 8400-06</b> | Nut                 | Écrou                          | 3        | R3/8" 22NV H5              |             |
| <b>12</b>                      | 1    | <b>487 2368-38</b> | Bracket             | Doigt de verrouillage de porte | 3        |                            |             |
|                                | 1    | <b>487 1764-09</b> | Bracket             | Doigt de verrouillage de porte | 3        | 50Hz                       |             |
| <b>13</b>                      | 1    | <b>487 1701-22</b> | Cover               | Couvercle                      | 3        |                            |             |
| <b>14</b>                      | 1    | <b>487 1533-96</b> | Air reducing plate  | Tôle de réduction              | 3        | Ø40                        |             |
| <b>15</b>                      | 1    | <b>487 0068-28</b> | Sensor              | Détecteur                      | 3        |                            |             |
| <b>16</b>                      | 1    | <b>487 0068-24</b> | Elektrode           | Électrode                      | 3        |                            |             |
| <b>17</b>                      | 1    | <b>487 2309-30</b> | Ignition cable      | Câble d'allumage               | 3        | Gnist                      |             |
| <b>18</b>                      | 1    | <b>487 2309-31</b> | Cable               | Câble                          | 3        |                            |             |
| <b>19</b>                      | 1    | <b>471 8815-04</b> | Thermostat          | Thermostat                     | 1        |                            |             |
|                                | 1    | <b>487 1697-03</b> | Thermostat          | Thermostat                     | 1        | Japan                      |             |
| <b>20</b>                      | 1    | <b>487 2290-98</b> | Clamp               | Archet                         | 3        |                            |             |



20 04 23

Issue Month Year  
02 12 08

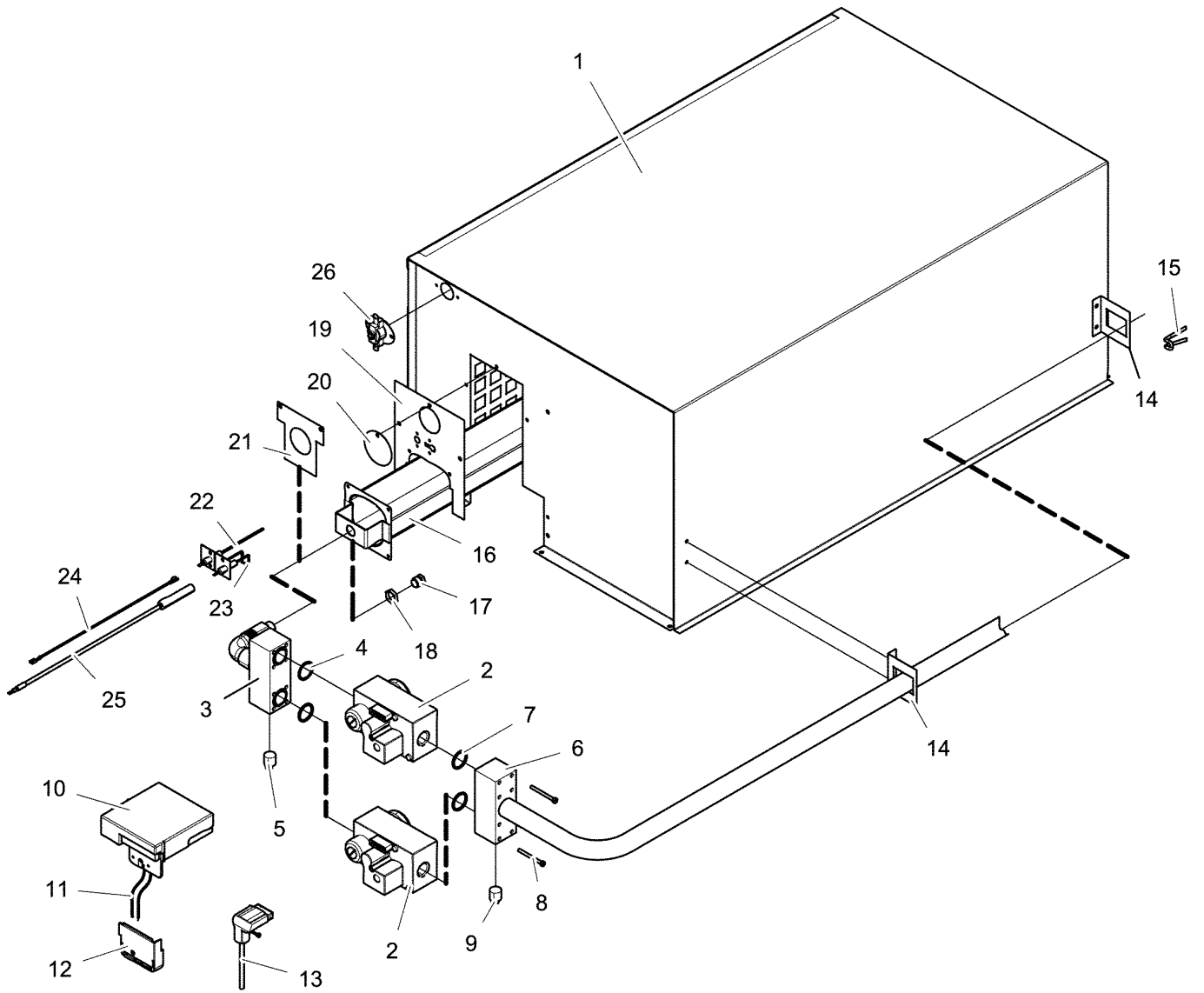
**TD60**

**Heating unit, town gas**

**Unité de chauffage, ville - gaz**

Illustration Issue Month Year  
Schéma Issue Month Year  
**200423/1 2 12 2008**

| Item<br>Article | Qua.<br>Qua. | Art.No<br>Réf. article | Description         | Description                       | Info<br>Info | Notes<br>Remarques |
|-----------------|--------------|------------------------|---------------------|-----------------------------------|--------------|--------------------|
| <b>1</b>        | 1            | <b>487 1975-41</b>     | Combustion chamber  | Chambre de combustion             | 3            |                    |
| <b>2</b>        | 1            | <b>487 1415-72</b>     | Gas valve with pipe | Vanne de gaz avec tube            | 3            | 1" Complete        |
| <b>3</b>        | 1            | <b>487 2368-42</b>     | Fitting             | Garniture                         | 3            |                    |
| <b>4</b>        | 1            | <b>487 1438-25</b>     | Control box         | Boîtier de contrôle               | 3            | 110V               |
| <b>5</b>        | 1            | <b>487 1438-21</b>     | Cover               | Capot                             | 3            |                    |
| <b>6</b>        | 2            | <b>487 7057-40</b>     | Terminal            | Terminal                          | 3            |                    |
| <b>7</b>        | 1            | <b>487 1415-73</b>     | Pipe                | Tube                              | 3            | 1" Complete        |
| <b>8</b>        | 2            | <b>487 1764-33</b>     | Bracket             | Doigt de verrouillage de<br>porte | 3            | 1"                 |
| <b>9</b>        | 1            | <b>487 2290-98</b>     | Clamp               | Archet                            | 3            |                    |
| <b>10</b>       | 1            | <b>487 1764-85</b>     | Gas burner          | Radiateur à gaz                   | 3            |                    |
| <b>11</b>       | 1            | <b>471 9853-78</b>     | Nozzle              | Buse                              | 3            | Ø9,3/GT Gr.B       |
|                 | 1            | <b>471 9853-55</b>     | Nozzle              | Buse                              | 3            | Ø10/GT Gr.A        |
|                 | 1            | <b>471 9853-77</b>     | Nozzle              | Buse                              | 3            | Ø10,6/GT Gr.D      |
| <b>12</b>       | 1            | <b>471 8400-06</b>     | Nut                 | Écrou                             | 3            | R3/8" 22NV H5      |
| <b>13</b>       | 1            | <b>487 2368-38</b>     | Bracket             | Doigt de verrouillage de<br>porte | 3            |                    |
| <b>14</b>       | 1            | <b>487 1701-22</b>     | Cover               | Couvercle                         | 3            |                    |
| <b>15</b>       | 1            | <b>487 0068-28</b>     | Sensor              | Détecteur                         | 3            |                    |
| <b>16</b>       | 1            | <b>487 0068-24</b>     | Elektrode           | Électrode                         | 3            |                    |
| <b>17</b>       | 1            | <b>487 2309-30</b>     | Ignition cable      | Câble d'allumage                  | 3            |                    |
| <b>18</b>       | 1            | <b>487 2309-31</b>     | Cable               | Câble                             | 3            |                    |
| <b>19</b>       | 1            | <b>471 8815-04</b>     | Thermostat          | Thermostat                        | 1,2          |                    |



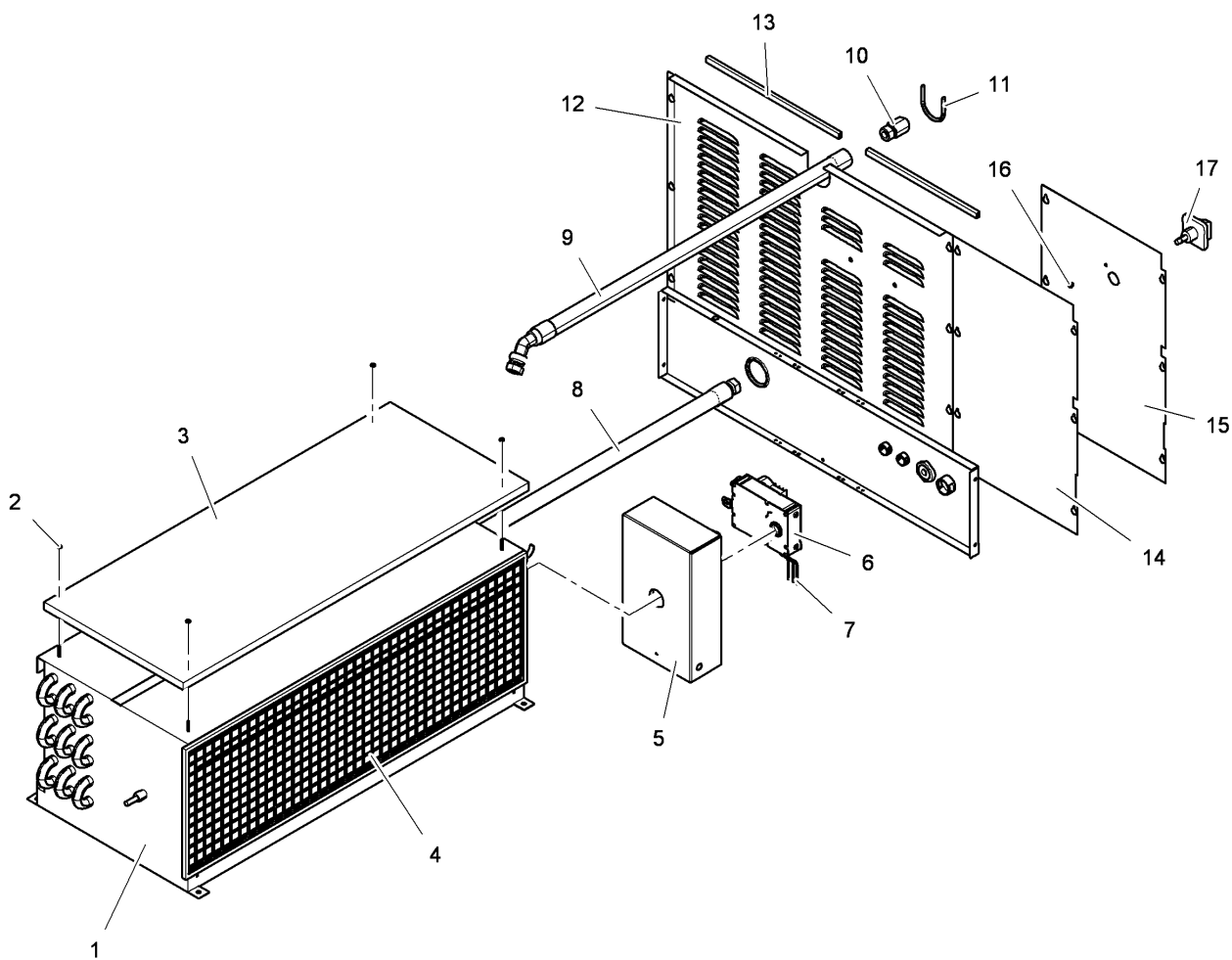
**TD77**

**Heating unit, gas**

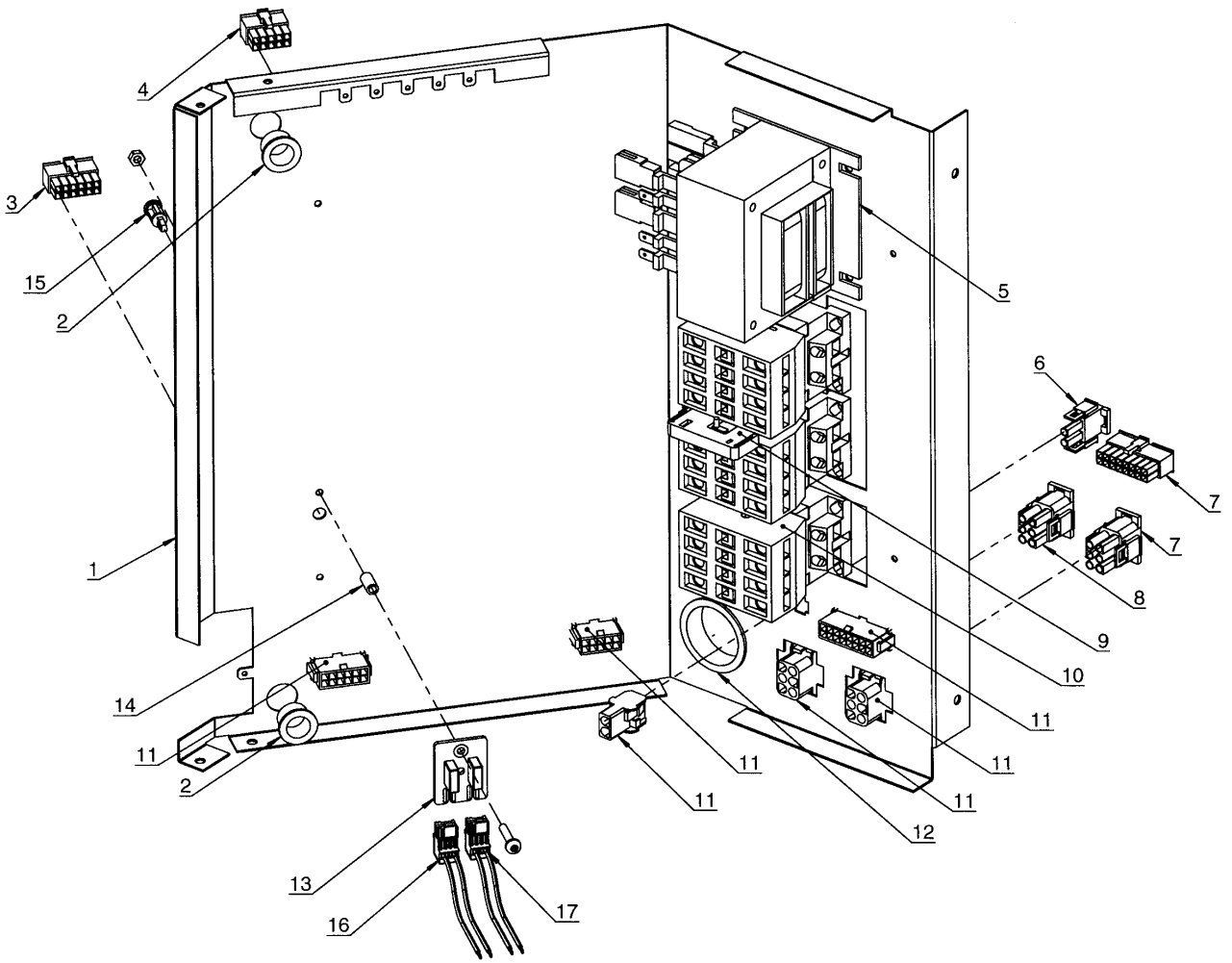
**Unité de chauffage, gaz**

Illustration Issue Month Year  
Schéma Issue Month Year  
**200421/2 4 12 2008**

| Item<br>Article | Qua.<br>Qua. | Art.No<br>Réf. article | Description         | Description                    | Info<br>Info | Notes<br>Remarques         |
|-----------------|--------------|------------------------|---------------------|--------------------------------|--------------|----------------------------|
| 1               | 1            | 487 1935-39            | Combustion chamber  | Chambre de combustion          | 3            |                            |
| 2               | 2            | 487 1935-60            | Gas valve           | Vanne de gaz                   | 3            | 110V                       |
| 3               | 1            | 487 1935-41            | Branch terminal     | Collecteur                     | 3            | 1/2" With nipple           |
|                 | 1            | 487 1935-87            | Branch terminal     | Collecteur                     | 3            | 1/2" With nipple USA       |
| 4               | 2            | 487 1437-28            | •O-ring             | •Joint torique                 | 3            |                            |
| 5               | 1            | 487 1437-29            | •Pipe plug          | •Bouchon de tuyau              | 3            |                            |
| 6               | 1            | 487 1935-40            | Branch terminal     | Collecteur                     | 3            | 3/4" With pipe             |
|                 | 1            | 487 1935-43            | Branch terminal     | Collecteur                     | 3            | 3/4" With pipe USA         |
| 7               | 2            | 487 1437-28            | •O-ring             | •Joint torique                 | 3            |                            |
| 8               | 16           | 487 1437-30            | •Screw              | •Vis                           | 3            | M4x45                      |
| 9               | 1            | 487 1437-29            | •Pipe plug          | •Bouchon de tuyau              | 3            |                            |
| 10              | 1            | 487 1438-25            | Control box         | Boîtier de contrôle            | 3            | 110V                       |
| 11              | 1            | 487 0510-74            | Cable set           | Ensemble de câbles             | 3            |                            |
| 12              | 1            | 487 1438-21            | Cover               | Capot                          | 3            |                            |
| 13              | 1            | 487 2299-76            | Cable set           | Ensemble de câbles             | 3            |                            |
| 14              | 2            | 487 1701-46            | Bracket             | Doigt de verrouillage de porte | 3            | 3/4"                       |
| 15              | 1            | 487 2290-98            | Clamp               | Archet                         | 3            |                            |
| 16              | 1            | 471 9869-18            | Gas burner          | Radiateur à gaz                | 3            | 54kW                       |
| 17              | 1            | 471 9853-60            | Nozzle              | Buse                           | 1            | Ø3,8 LPG                   |
|                 | 1            | 471 9853-87            | Nozzle              | Buse                           | 1            | Ø5,4 GN (France + Belgium) |
|                 | 1            | 471 9853-50            | Nozzle              | Buse                           | 1            | Ø6,5 GN/ GNH               |
|                 | 1            | 487 1815-04            | Kit. LPG conversion | Kit. LPG conversion            | 1            |                            |
|                 | 1            | 471 9853-48            | •Nozzle             | •Buse                          | 1            | Ø3,5 0-1999FT, LPG         |
|                 | 1            | 487 1815-28            | Kit. LPG conversion | Kit. LPG conversion            | 1            |                            |
|                 | 1            | 471 9853-58            | •Nozzle             | •Buse                          | 1            | Ø3,4 2000-3999FT, LPG      |
|                 | 1            | 487 1815-29            | Kit. LPG conversion | Kit. LPG conversion            | 1            |                            |
|                 | 1            | 471 9853-82            | •Nozzle             | •Buse                          | 1            | Ø3,2 4000-5999FT, GNH      |
|                 | 1            | 487 1815-30            | Kit. LPG conversion | Kit. LPG conversion            | 1            |                            |
|                 | 1            | 471 9853-57            | •Nozzle             | •Buse                          | 1            | Ø3,1 6000-8000FT, LPG      |
|                 | 1            | 471 9853-95            | Nozzle              | Buse                           | 1            | Ø5,8 0-1999FT, GNH         |
|                 | 1            | 471 9853-81            | Nozzle              | Buse                           | 1            | Ø5,6 2000-3999FT, GNH      |
|                 | 1            | 471 9853-87            | Nozzle              | Buse                           | 1            | Ø5,4 4000-5999FT, GNH      |
|                 | 1            | 471 9853-90            | Nozzle              | Buse                           | 1            | Ø5,2 6000-8000FT, GNH      |
| 18              | 1            | 471 8400-06            | Nut                 | Écrou                          | 3            | R3/8" 22NV H5              |
| 19              | 1            | 487 2368-38            | Bracket             | Doigt de verrouillage de porte | 3            |                            |
| 20              | 1            | 487 1701-22            | Cover               | Couvercle                      | 3            |                            |
| 21              | 1            | 487 1533-97            | Air reducing plate  | Tôle de réduction              | 3            | Ø32 Used only with LP gas  |
| 22              | 1            | 487 0068-28            | Sensor              | Détecteur                      | 3            |                            |
| 23              | 1            | 487 0068-24            | Elektrode           | Électrode                      | 3            |                            |
| 24              | 1            | 487 2309-31            | Cable               | Câble                          | 3            |                            |
| 25              | 1            | 487 2309-30            | Ignition cable      | Câble d'allumage               | 3            | Gnist                      |
| 26              | 1            | 471 8815-04            | Thermostat          | Thermostat                     | 1            |                            |
|                 | 1            | 487 1697-03            | Thermostat          | Thermostat                     | 1            | Japan                      |









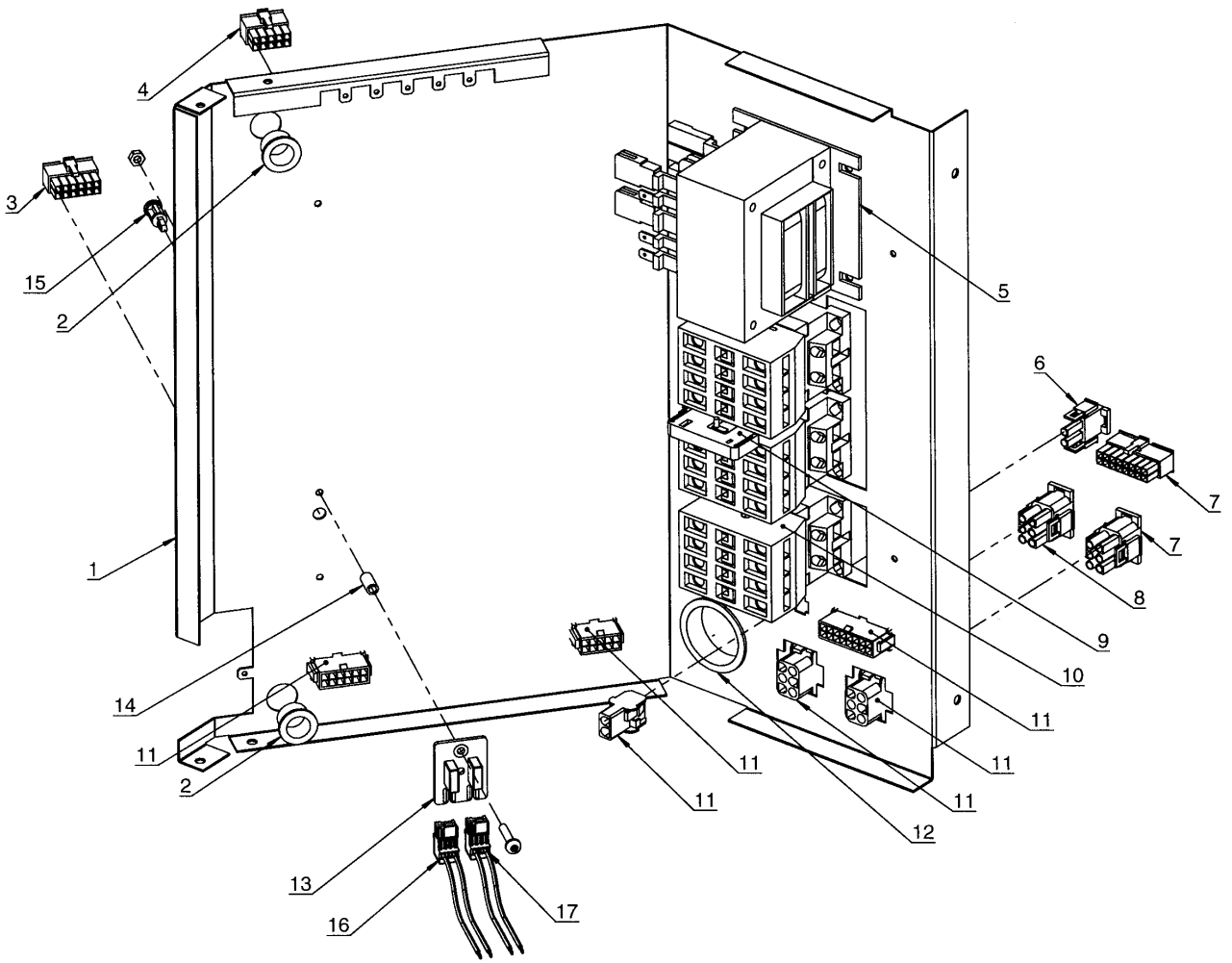
**TD60,TD77**

**Control unit**

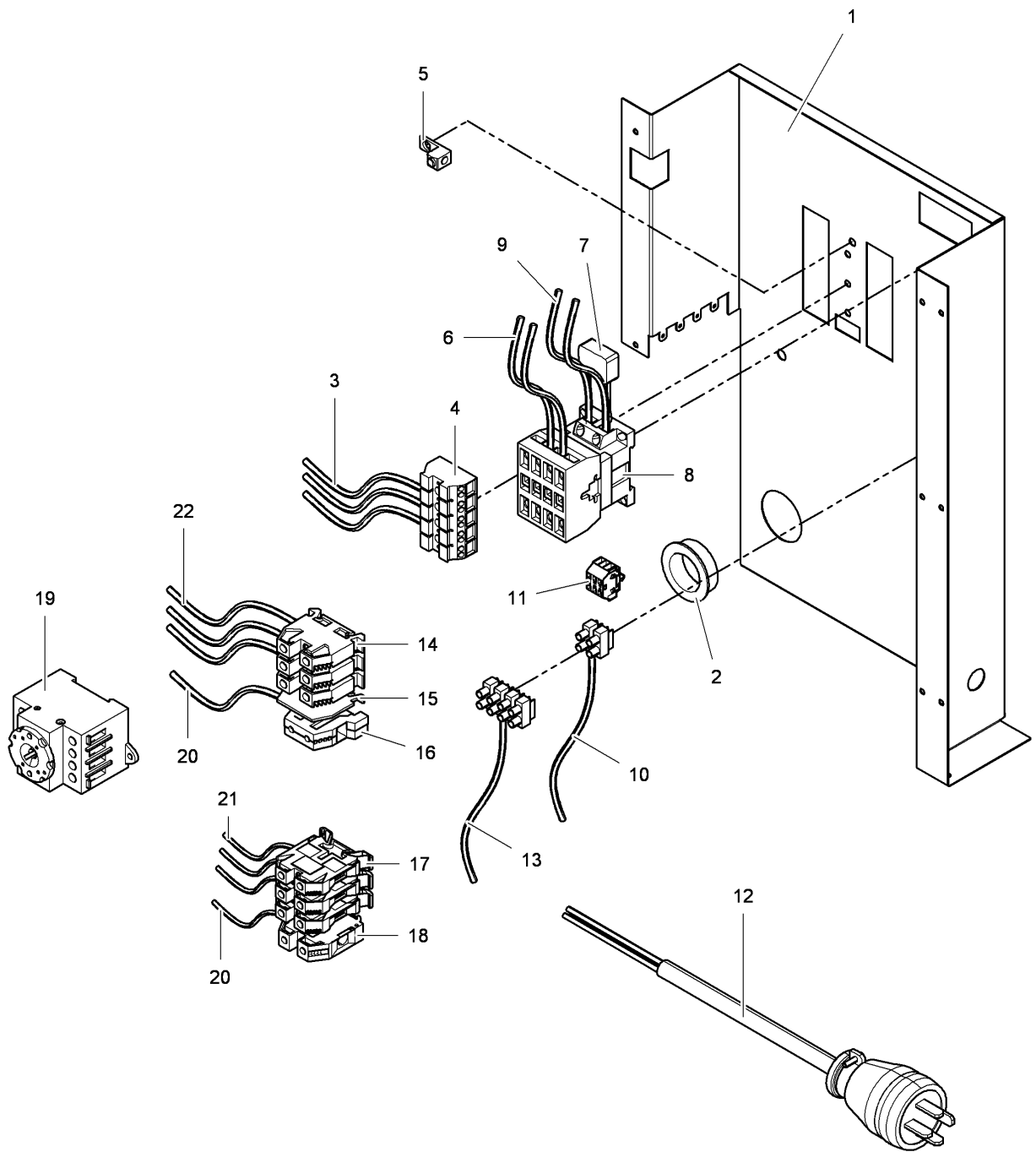
**Unité de contrôle**

Illustration Issue Month Year  
Schéma Issue Month Year  
**200427/1 6 1 2010**

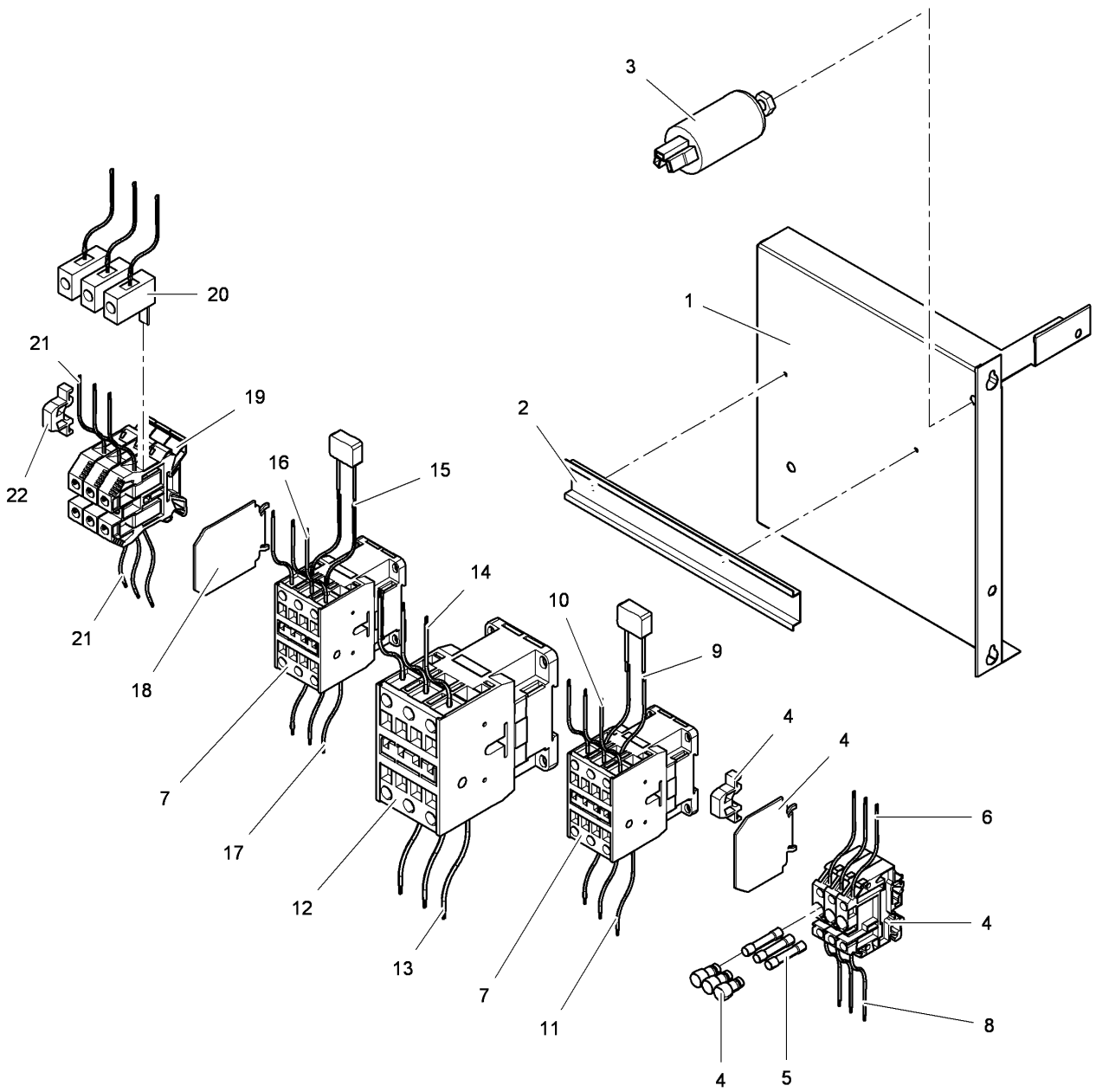
| Item<br>Article | Quantity<br>Quantité | Art.No<br>Réf. article | Description        | Description           | Info<br>Info             | Notes<br>Remarques  |
|-----------------|----------------------|------------------------|--------------------|-----------------------|--------------------------|---|
|                 |                      | TD60                   |                    |                       |                          |   |
|                 |                      | TD77                   |                    |                       |                          |   |
| <b>1</b>        | 1                    | 1                      | <b>487 0511-22</b> | Component plate       | Plaque composants        | 3   |
| <b>2</b>        | 2                    | 2                      | <b>762 1137-10</b> | Cable gland           | Passe-fil                | 3 Ø16   |
| <b>3</b>        | 1                    | 1                      | <b>487 0510-75</b> | Cable set             | Ensemble de câbles       | 3 Electric  |
|                 |                      |                        | <b>487 0510-77</b> | Cable set             | Ensemble de câbles       | 3 Electric 36kW   |
| <b>4</b>        | 1                    | 1                      | <b>487 0510-73</b> | Cable set             | Ensemble de câbles       | 3 Gas   |
|                 |                      |                        | <b>487 0510-74</b> | Cable set             | Ensemble de câbles       | 3 Gas   |
|                 |                      |                        | <b>487 0510-67</b> | Cable set             | Ensemble de câbles       | 3 Steam   |
|                 |                      |                        | <b>487 0289-48</b> | Transformer           | Transformateur           | 1,2 120V  |
| <b>5</b>        | 1                    | 1                      | <b>487 0289-47</b> | Transformer           | Transformateur           | 1,2 200-240V  |
|                 |                      |                        | <b>487 0289-46</b> | Transformer           | Transformateur           | 1,2 400-480V  |
|                 |                      |                        | <b>487 0510-44</b> | Cable set             | Ensemble de câbles       | 3 Moisture sensor   |
| <b>7</b>        | 1                    | 1                      |                    | Cable set             | Jeu de câbles            | See group 200408  |
| <b>8</b>        | 1                    | 1                      | <b>487 0510-75</b> | Cable set             | Ensemble de câbles       | 3 Electric  |
|                 |                      |                        | <b>487 0510-77</b> | Cable set             | Ensemble de câbles       | 3 Electric 36kW   |
| <b>9</b>        | 1                    | 1                      | <b>487 0510-66</b> | Cable set             | Ensemble de câbles       | 3 Gas + steam   |
|                 |                      |                        | <b>487 0510-64</b> | Cable set             | Ensemble de câbles       | 3 Gas + steam 120V  |
|                 |                      |                        | <b>487 0510-72</b> | Cable set             | Ensemble de câbles       | 3 Gas + steam   |
|                 |                      |                        | <b>487 1535-65</b> | Catch                 | Blocage                  | 3   |
| <b>10</b>       | RQ                   | RQ                     | <b>438 9636-11</b> | Relay                 | Relais                   | 1   |
|                 | 1                    | 1                      | <b>438 9636-81</b> | Relay                 | Relais                   | 1 120V 1AC  |
|                 |                      |                        | <b>438 9637-31</b> | Relay                 | Relais                   | 1 120V  |
| <b>11</b>       | 1                    | 1                      | <b>487 0510-02</b> | Cable set             | Ensemble de câbles       | 3 Electric + gas, reversering, moisture sensor                |
|                 |                      |                        | <b>487 0510-03</b> | Cable set             | Ensemble de câbles       | 3 Electric + gas, reversering                                 |
|                 |                      |                        | <b>487 0510-06</b> | Cable set             | Ensemble de câbles       | 3 Electric + gas, moisture sensor                             |
|                 |                      |                        | <b>487 0510-07</b> | Cable set             | Ensemble de câbles       | 3 Electric + gas  |
|                 |                      |                        | <b>490 3500-01</b> | Cable set             | Jeu de câbles            | 3 1AC, with reversing el/gas                                  |
|                 |                      |                        | <b>487 0510-10</b> | Cable set             | Ensemble de câbles       | 3 Steam, reversering, moisture sensor                         |
|                 |                      |                        | <b>487 0510-11</b> | Cable set             | Ensemble de câbles       | 3 Steam, reversering  |
|                 |                      |                        | <b>490 3500-02</b> | Cable set             | Jeu de câbles            | 3 1AC, with reversing steam                                   |
|                 |                      |                        | <b>487 0510-14</b> | Cable set             | Ensemble de câbles       | 3 Steam, moisture sensor                                      |
|                 |                      |                        | <b>487 0510-15</b> | Cable set             | Ensemble de câbles       | 3 Steam   |
|                 |                      |                        | <b>487 0510-16</b> | Cable set             | Ensemble de câbles       | 3 Gas 120V, moisture sensor                                   |
|                 |                      |                        | <b>487 0510-17</b> | Cable set             | Ensemble de câbles       | 3 Gas 120V  |
|                 |                      |                        | <b>487 0510-18</b> | Cable set             | Ensemble de câbles       | 3 Steam 120V, moisture sensor                                 |
|                 |                      |                        | <b>487 0510-19</b> | Cable set             | Ensemble de câbles       | 3 Steam 120V  |
|                 |                      |                        | <b>487 0510-01</b> | Cable set             | Ensemble de câbles       | 3 Emergency stop Electric + gas, reversering, moisture sensor |
|                 |                      |                        | <b>487 0510-04</b> | Cable set             | Ensemble de câbles       | 3 Emergency stop Electric + gas, moisture sensor              |
|                 |                      |                        | <b>487 0510-05</b> | Cable set             | Ensemble de câbles       | 3 Emergency stop Electric + gas                               |
|                 |                      |                        | <b>487 0510-08</b> | Cable set             | Ensemble de câbles       | 3 Emergency stop Steam, reversering, moisture sensor          |
|                 |                      |                        | <b>487 0510-09</b> | Cable set             | Ensemble de câbles       | 3 Emergency stop Steam, reversering                           |
|                 |                      |                        | <b>487 0510-12</b> | Cable set             | Ensemble de câbles       | 3 Emergency stop Steam, moisture sensor                       |
|                 |                      |                        | <b>487 0510-13</b> | Cable set             | Ensemble de câbles       | 3 Emergency stop Steam  |
|                 |                      |                        | <b>12</b>          | 1                     | 1                        | <b>762 1191-10</b>  |
| <b>13</b>       | 1                    | 1                      | <b>438 8776-01</b> | Printed circuit board | Carte de circuit imprimé | 1 PCB   |







| <b>TD60,TD77</b>                     |                      |                          |                    | Illustration<br>Schéma<br><b>200410/2</b> | Issue<br>Issue<br><b>6</b> | Month<br>Month<br><b>10</b>         | Year<br>Year<br><b>2009</b> |
|--------------------------------------|----------------------|--------------------------|--------------------|---|----------------------------|-------------------------------------|-----------------------------|
| <b>Connection unit<br/>Connexion</b> |                      |                          |                    |   |                            |                                     |                             |
| Item<br>Article                      | Quantity<br>Quantité | Art.No<br>Réf. article   | Description        | Description                               | Info<br>Info               | Notes<br>Remarques                  |                             |
|                                      |                      |                          | <b>TD60</b>        |   |                            |                                     |                             |
|                                      |                      |                          | <b>TD77</b>        |   |                            |                                     |                             |
| 1                                    | 1                    | 1<br><b>487 0511-18</b>  | Connection console | Support de raccordement                   | 3                          | Electric 200-240V 3AC               |                             |
|                                      | 1                    | 1<br><b>487 0511-20</b>  | Connection console | Support de raccordement                   | 3                          | 200-240V 1AC/ 200-480V<br>3AC + gas |                             |
|                                      | 1                    | 1<br><b>487 0511-19</b>  | Connection console | Support de raccordement                   | 3                          | Steam                               |                             |
| 2                                    | 1                    | 1<br><b>762 1209-10</b>  | Cable gland        | Passe-fil                                 | 3                          |                                     |                             |
| 3                                    | 1                    | 1<br><b>487 0510-66</b>  | Cable set          | Ensemble de câbles                        | 3                          | Gas + steam                         |                             |
|                                      | 1                    | 1<br><b>487 0510-64</b>  | Cable set          | Ensemble de câbles                        | 3                          | Gas + steam                         |                             |
| 4                                    | 1                    | 1<br><b>487 0281-04</b>  | Connection clamp   | Barrette de connexion                     | 3                          | 5-pole Gas + steam                  |                             |
| 5                                    | 1                    | 1<br><b>487 0289-16</b>  | Ground terminal    | Borne de terre                            | 3                          | Gas + steam                         |                             |
| 6                                    | 1                    | 1<br><b>487 0510-69</b>  | Cable              | Câble                                     | 3                          | 1,25A Electric                      |                             |
|                                      | 1                    | 1<br><b>487 0510-71</b>  | Cable              | Câble                                     | 3                          | 1,25A Gas + steam                   |                             |
| 7                                    | 1                    | 1<br><b>487 0289-17</b>  | RC-unit            | Diode RC                                  | 3                          |                                     |                             |
| 8                                    | 1                    | 1<br><b>438 9636-11</b>  | Relay              | Relais                                    | 1                          | 400V 3NAC                           |                             |
| 9                                    | 1                    | 1<br><b>487 0510-68</b>  | Cable              | Câble                                     | 3                          | 1,25A                               |                             |
| 10                                   | 1                    | 1<br><b>487 2000-62</b>  | Cable              | Câble                                     | 3                          | Central control                     |                             |
| 11                                   | 1                    | 1<br><b>487 0510-75</b>  | Cable set          | Ensemble de câbles                        | 3                          | Electric                            |                             |
|                                      | 1                    | 1<br><b>487 0510-66</b>  | Cable set          | Ensemble de câbles                        | 3                          | Gas + steam                         |                             |
|                                      |                      | 1<br><b>487 0510-75</b>  | Cable set          | Ensemble de câbles                        | 3                          | Electric 30kW                       |                             |
|                                      |                      | 1<br><b>487 0510-77</b>  | Cable set          | Ensemble de câbles                        | 3                          | Electric 36kW                       |                             |
|                                      | 1                    | 1<br><b>487 0510-75</b>  | Cable set          | Ensemble de câbles                        | 3                          | Electric                            |                             |
| 12                                   | 1                    | 1<br><b>487 1702-45</b>  | Plug               | Fiche                                     | 3                          | Japan                               |                             |
| 13                                   | 1                    | 1<br><b>487 2600-61</b>  | Cable              | Câble                                     | 3                          | LM10/CMIS                           |                             |
| 14                                   | RQ                   | RQ<br><b>438 8761-06</b> | Terminal block     | Borne de raccordement                     | 3                          | Electric 400V 3AC/3NAC              |                             |
|                                      | RQ                   | RQ<br><b>487 2217-20</b> | Terminal block     | Borne de raccordement                     | 3                          | Electric 400V 3AC/3NAC              |                             |
|                                      |                      | 2<br><b>487 0281-66</b>  | Terminal block     | Borne de raccordement                     | 3                          | 120V 1AC Gas + steam                |                             |
| 15                                   | 1                    | 1<br><b>487 2217-21</b>  | End plate          | Panneau arrière                           | 3                          | Electric 400V 3AC/3NAC              |                             |
| 16                                   | 1                    | 1<br><b>487 0951-12</b>  | Ground terminal    | Borne de terre                            | 3                          | Electric 400V 3AC/3NAC              |                             |
|                                      | 1                    | 1<br><b>487 0289-22</b>  | Ground terminal    | Borne de terre                            | 3                          | Electric 400V 3AC/3NAC              |                             |
|                                      |                      | 1<br><b>487 0951-12</b>  | Ground terminal    | Borne de terre                            | 3                          | Electric 400-480V                   |                             |
|                                      |                      | 1<br><b>487 0951-11</b>  | Ground terminal    | Borne de terre                            | 3                          | 120V 1AC Gas + steam                |                             |
| 17                                   | 3                    | 3<br><b>438 8761-07</b>  | Terminal block     | Borne de raccordement                     | 3                          | Electric 200-240V 3AC               |                             |
|                                      | 3                    | 3<br><b>487 2217-24</b>  | Terminal block     | Borne de raccordement                     | 3                          | Electric 208-240V 3AC               |                             |
| 18                                   | 1                    | 1<br><b>471 8767-03</b>  | Ground terminal    | Borne de terre                            | 3                          | Electric 200-240V 3AC               |                             |
|                                      | 1                    | 1<br><b>487 0289-23</b>  | Ground terminal    | Borne de terre                            | 3                          | Electric 208-240V 3AC               |                             |
| 19                                   | 1                    | 1<br><b>487 2217-30</b>  | Switch             | Commutateur                               | 3                          | Gas + steam                         |                             |
|                                      | 1                    | 1<br><b>487 2217-32</b>  | Switch             | Commutateur                               | 3                          | Electric 200-240V                   |                             |
|                                      | 1                    | 1<br><b>487 2217-31</b>  | Switch             | Commutateur                               | 3                          | Electric 400-480V                   |                             |
|                                      | 1                    | 1<br><b>487 0199-36</b>  | Ground cable       | Câble mise terre                          | 3                          | Electric                            |                             |
| 21                                   | 1                    | 1<br><b>487 0510-85</b>  | Cable set          | Ensemble de câbles                        | 3                          | 200-240V                            |                             |
|                                      |                      | 1<br><b>487 0510-85</b>  | Cable set          | Ensemble de câbles                        | 3                          | 30kW 200-240V                       |                             |
|                                      |                      | 1<br><b>487 0510-90</b>  | Cable set          | Ensemble de câbles                        | 3                          | 36kW 230-240V                       |                             |
| 22                                   | 1                    | 1<br><b>487 0510-87</b>  | Cable set          | Ensemble de câbles                        | 3                          | Electric 400-480V                   |                             |
|                                      |                      | 1<br><b>487 0510-90</b>  | Cable set          | Ensemble de câbles                        | 3                          | Electric 400-480V                   |                             |



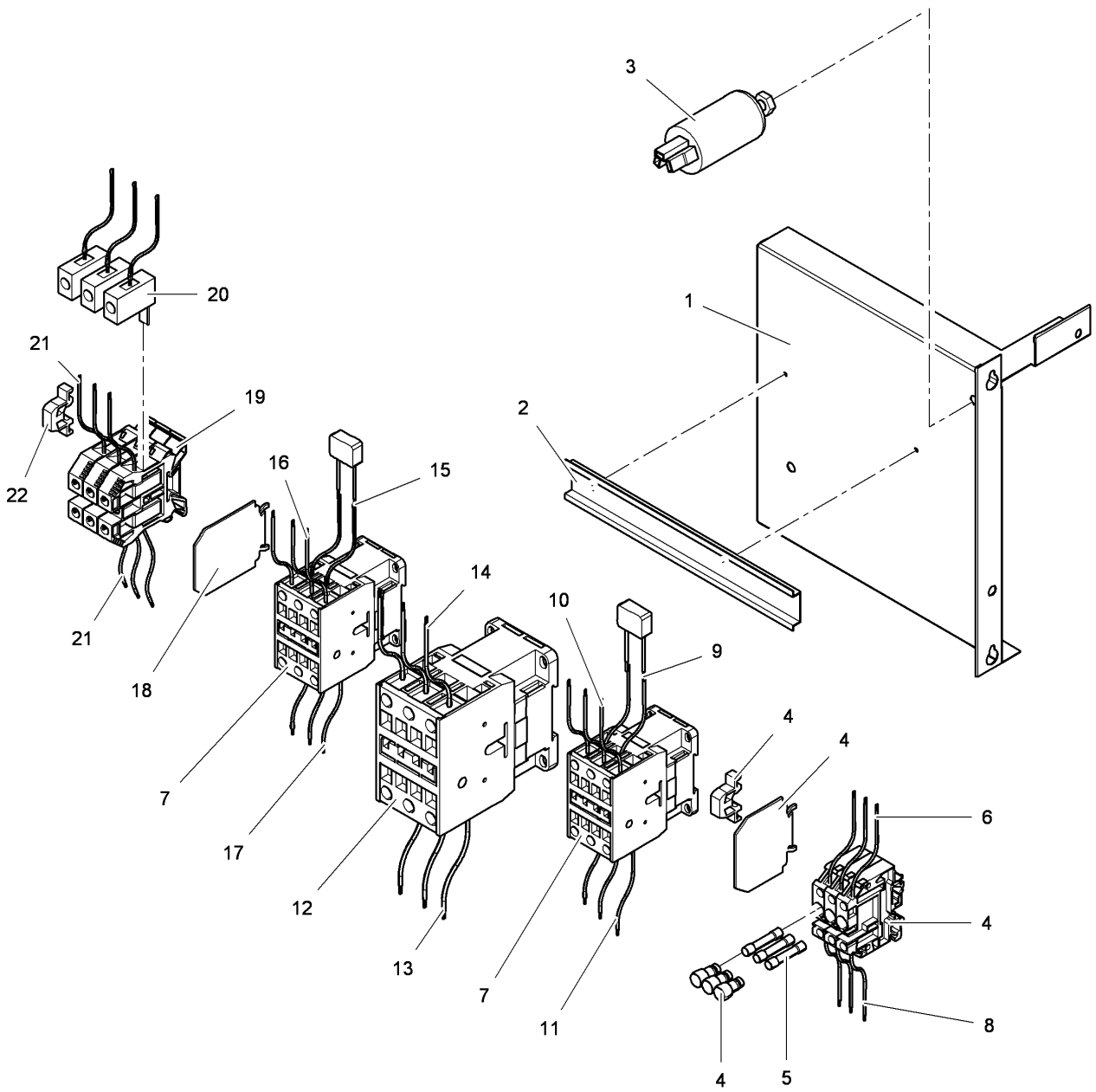
**TD60,TD77**

**Bracket - electric, complete**

**Console - électrique, complet**

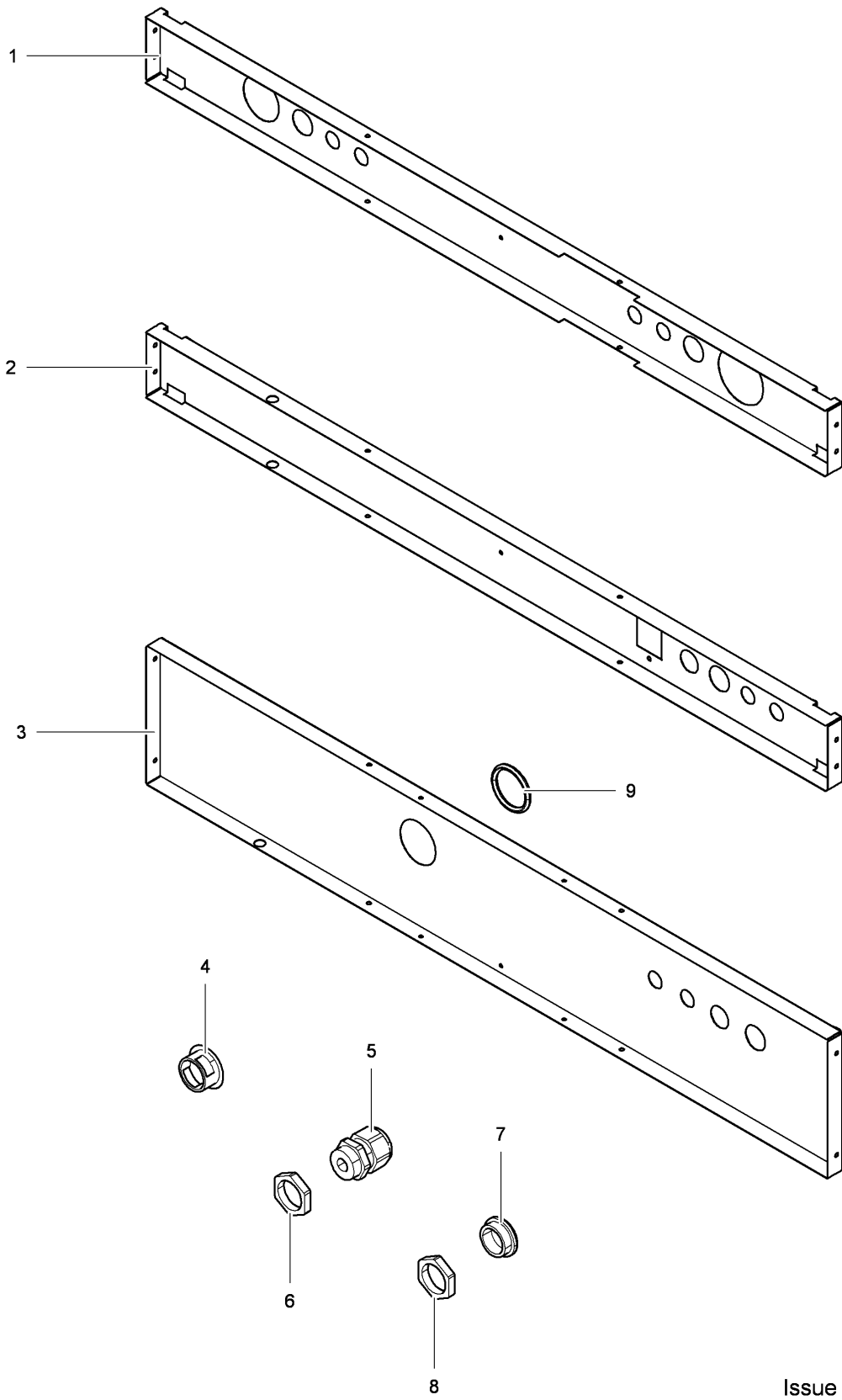
Illustration Issue Month Year  
Schéma Issue Month Year  
**200417/1 7 10 2009**

| Item<br>Article | Quantity<br>Quantité | Art.No<br>Réf. article | Description   | Description        | Info<br>Info | Notes<br>Remarques                |
|-----------------|----------------------|------------------------|---------------|--------------------|--------------|-----------------------------------|
|                 |                      |                        | TD60          |                    |              |                                   |
|                 |                      |                        | TD77          |                    |              |                                   |
| 1               | 1                    | 487 2368-19            | Bracket       | Console            | 3            | 200-240V                          |
|                 | 1                    | 487 2368-22            | Bracket       | Console            | 3            | 400-480V                          |
| 2               | 1                    | 487 0289-36            | Rail          | Rail               | 3            | L=235mm 200-240V                  |
|                 | 1                    | 487 0289-35            | Rail          | Rail               | 3            | L=175mm 400-480V                  |
| 3               | 1                    | 487 1535-79            | X/Y capacitor | X/Y condensateur   | 1            |                                   |
| 4               | 1                    | 487 0155-90            | Fuse holder   | Porte-fusible      | 3            | Kit                               |
| 5               | 3                    | 487 0289-29            | Fuse          | Fusible            | 1            | T10A                              |
| 6               | 1                    | 487 0510-78            | Cable set     | Ensemble de câbles | 3            | 200-240V -60500/102880            |
|                 | 1                    | 487 0510-86            | Cable set     | Ensemble de câbles | 3            | 60500/102881-                     |
|                 |                      | 487 0510-78            | Cable set     | Ensemble de câbles | 3            | 200-240V -60750/102333            |
|                 |                      | 487 0510-86            | Cable set     | Ensemble de câbles | 3            | 60750/102334-                     |
| 7               | RQ                   | 438 9637-31            | Relay         | Relais             | 1            |                                   |
| 8               | 1                    | 487 0510-75            | Cable set     | Ensemble de câbles | 3            | 200-240V -60500/102880            |
|                 |                      | 487 0510-75            | Cable set     | Ensemble de câbles | 3            | 30kW -60750/102333                |
|                 |                      | 487 0510-77            | Cable set     | Ensemble de câbles | 3            | 36kW -60750/102333                |
|                 |                      | 487 0528-07            | Cable set     | Ensemble de câbles | 3            | FC 36kW -60750/102333             |
|                 | 1                    | 487 0510-34            | Cable set     | Ensemble de câbles | 3            | 60500/102881-                     |
|                 |                      | 487 0510-34            | Cable set     | Ensemble de câbles | 3            | 60750/102334-                     |
|                 | 1                    | 487 0528-15            | Cable set     | Ensemble de câbles | 3            | FC 60500/102881-                  |
|                 |                      | 487 0528-15            | Cable set     | Ensemble de câbles | 3            | FC 60750/102334-                  |
|                 |                      | 487 0510-35            | Cable set     | Jeu de câbles      | 3            | 36kW 60750/102334-                |
|                 |                      | 487 0528-16            | Cable set     | Ensemble de câbles | 3            | FC 36kW 60750/102334-             |
| 9               | 1                    | 487 0510-76            | Cable set     | Ensemble de câbles | 3            |                                   |
| 10              | 1                    | 487 0510-79            | Cable set     | Ensemble de câbles | 3            | 200-240V -60500/102880            |
|                 | 1                    | 487 0510-98            | Cable set     | Ensemble de câbles | 3            | 200-240V 60500/102881-            |
|                 |                      | 487 0510-79            | Cable set     | Ensemble de câbles | 3            | 200-240V -60750/102333            |
|                 |                      | 487 0510-98            | Cable set     | Ensemble de câbles | 3            | 200-240V 60750/102334-            |
|                 | 1                    | 487 0510-87            | Cable set     | Ensemble de câbles | 3            | 400-480V                          |
| 11              | 1                    | 487 0510-81            | Cable set     | Ensemble de câbles | 3            |                                   |
|                 | 1                    | 487 0510-82            | Cable set     | Ensemble de câbles | 3            | 30kW                              |
| 12              | 1                    | 438 9637-31            | Relay         | Relais             | 1            | 400-480V 24/30kW<br>60500/102881- |
|                 |                      | 438 9637-31            | Relay         | Relais             | 1            | 400-480V 24/30kW<br>60750/102334- |
|                 | 1                    | 438 9638-31            | Relay         | Relais             | 1            | 60500/102881-                     |
| 13              | 1                    | 438 9638-31            | Relay         | Relais             | 1            | 60750/102334-                     |
|                 | 1                    | 487 0510-94            | Cable set     | Ensemble de câbles | 3            | 200-240V 24/30kW<br>60500/102881- |
|                 |                      | 487 0510-94            | Cable set     | Ensemble de câbles | 3            | 200-240V 24/30kW<br>60750/102334- |
|                 | 1                    | 487 0510-95            | Cable set     | Ensemble de câbles | 3            | 400-480V 36kW<br>60500/102881-    |
|                 |                      | 487 0510-95            | Cable set     | Ensemble de câbles | 3            | 400-480V 36kW<br>60750/102334-    |
|                 | 1                    | 487 0510-97            | Cable set     | Ensemble de câbles | 3            | 400-480V 24/30kW<br>60500/102881- |
|                 |                      | 487 0510-97            | Cable set     | Ensemble de câbles | 3            | 400-480V 24/30kW<br>60750/102334- |
| 14              | 1                    | 487 0510-98            | Cable set     | Ensemble de câbles | 3            | 200-240V 60500/102881-            |
|                 |                      | 487 0510-98            | Cable set     | Ensemble de câbles | 3            | 200-240V 60750/102334-            |
| 15              | 1                    | 487 0510-76            | Cable set     | Ensemble de câbles | 3            |                                   |
| 16              | 1                    | 487 0510-80            | Cable set     | Ensemble de câbles | 3            | 200-240V -60500/102880            |
|                 | 1                    | 487 0510-98            | Cable set     | Ensemble de câbles | 3            | 200-240V 60500/102881-            |
|                 |                      | 487 0510-80            | Cable set     | Ensemble de câbles | 3            | 200-240V -60750/102333            |
|                 |                      | 487 0510-98            | Cable set     | Ensemble de câbles | 3            | 200-240V 60750/102334-            |
| 17              | 1                    | 487 0510-83            | Cable set     | Ensemble de câbles | 3            |                                   |
|                 |                      | 487 0510-83            | Cable set     | Ensemble de câbles | 3            | 30kW                              |









20 04 00

Issue Month Year  
03 11 08

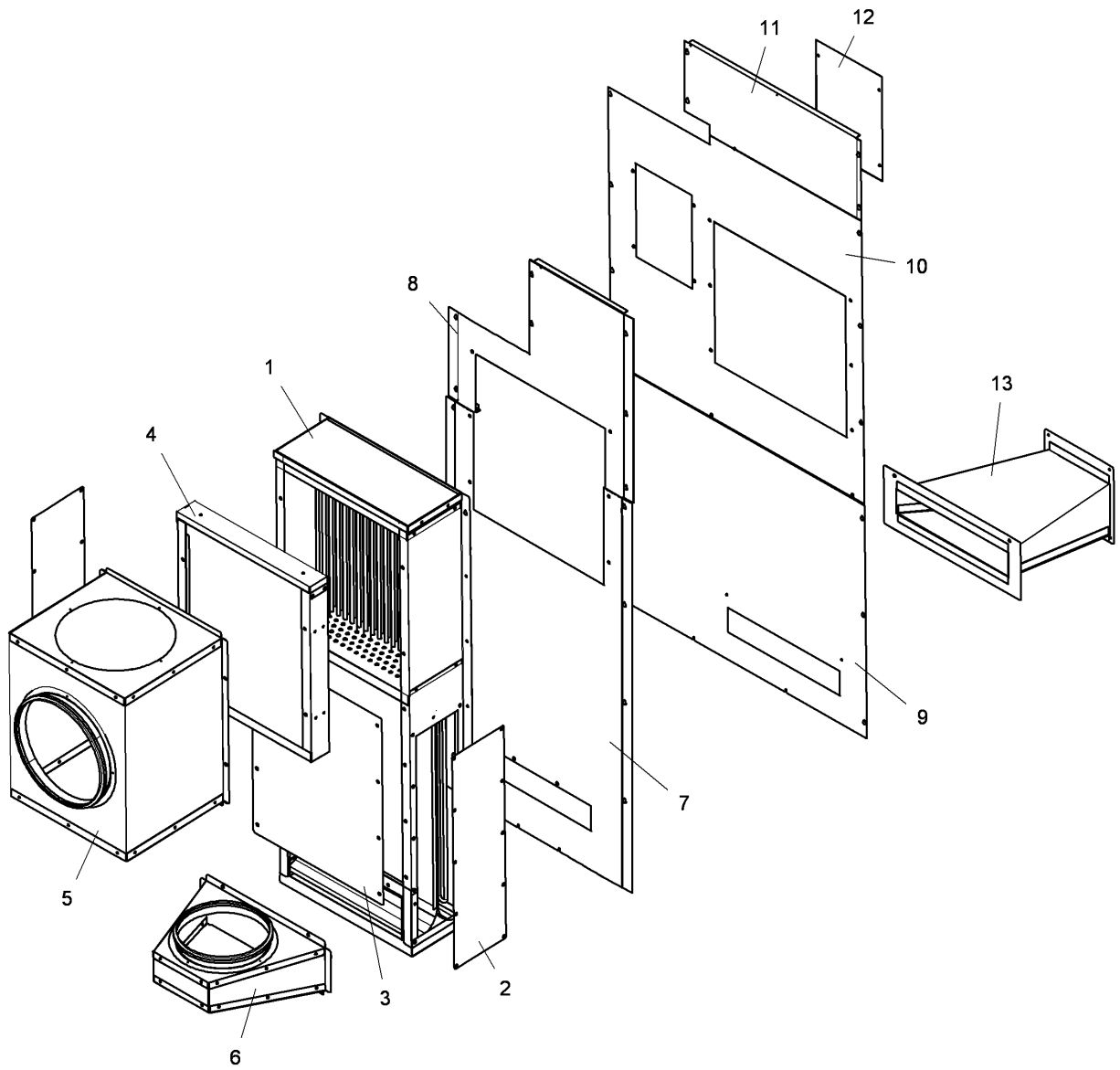
**TD60,TD77**

**Beam**

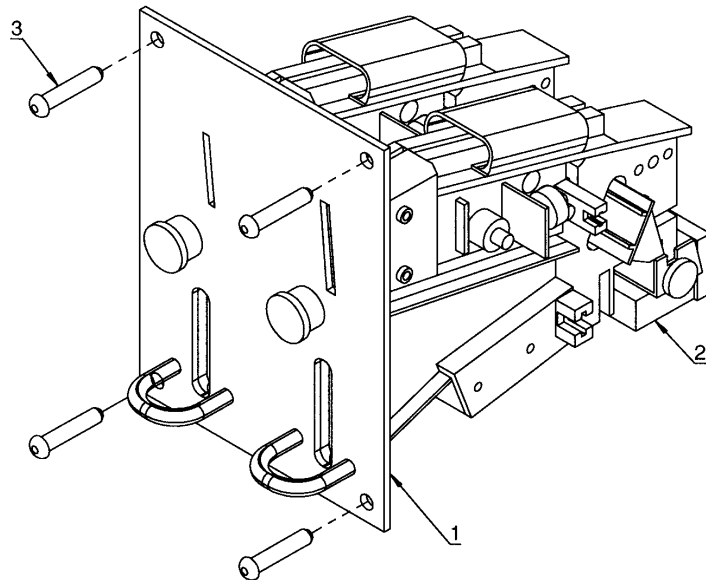
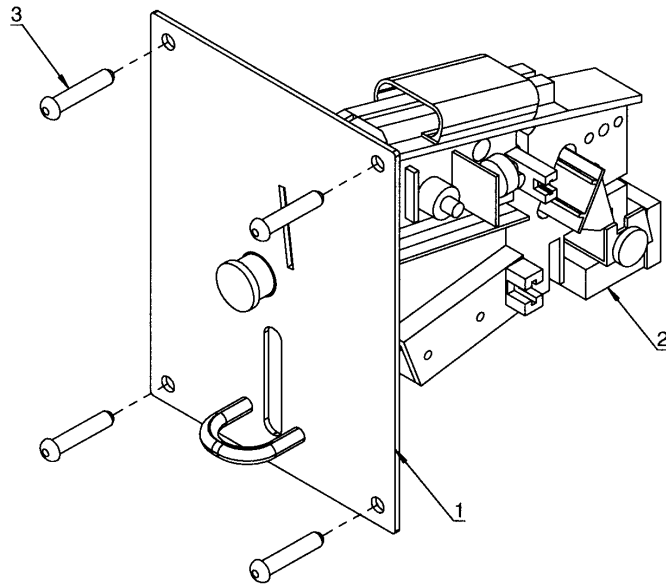
**Poutre**

Illustration Issue Month Year  
Schéma Issue Month Year  
**200400/2 3 11 2008**

| Item<br>Article | Quantity<br>Quantité | Art.No<br>Réf. article | Description        | Description  | Info<br>Info     | Notes<br>Remarques |
|-----------------|----------------------|------------------------|--------------------|--------------|------------------|--------------------|
|                 |                      | <b>TD60</b>            |                    |              |                  |                    |
|                 |                      | <b>TD77</b>            |                    |              |                  |                    |
| <b>1</b>        | 1                    | 1                      | <b>487 0511-04</b> | Beam         | Poutre           | 3 EL               |
| <b>2</b>        | 1                    | 1                      | <b>487 0511-06</b> | Beam         | Poutre           | 3 Gas              |
| <b>3</b>        | 1                    | 1                      | <b>487 0511-05</b> | Beam         | Poutre           | 3 Steam            |
| <b>4</b>        | Rq                   | Rq                     | <b>471 7977-01</b> | Blind plug   | Écrou borgne     | 3 Ø19              |
|                 | Rq                   | Rq                     | <b>487 0275-13</b> | Blind plug   | Écrou borgne     | 3 Ø25              |
| <b>5</b>        | Rq                   | Rq                     | <b>471 7977-04</b> | Blind plug   | Écrou borgne     | 3 Ø28              |
|                 | Rq                   | Rq                     | <b>487 0289-02</b> | Cable glands | Support de câble | 3 M25              |
|                 | Rq                   | Rq                     | <b>487 0289-06</b> | Cable glands | Support de câble | 3 M32              |
|                 | Rq                   | Rq                     | <b>487 0289-03</b> | Cable glands | Support de câble | 3 M40              |
| <b>6</b>        | Rq                   | Rq                     | <b>487 0289-04</b> | Cable glands | Support de câble | 3 M50              |
|                 | Rq                   | Rq                     | <b>487 0289-05</b> | Cable glands | Support de câble | 3 M63              |
|                 | Rq                   | Rq                     | <b>487 0289-10</b> | Lock-nut     | Contre-écrou     | 3 M25              |
|                 | Rq                   | Rq                     | <b>487 0289-14</b> | Lock-nut     | Contre-écrou     | 3 M32              |
|                 | Rq                   | Rq                     | <b>487 0289-11</b> | Lock-nut     | Contre-écrou     | 3 M40              |
|                 | Rq                   | Rq                     | <b>487 0289-12</b> | Lock-nut     | Contre-écrou     | 3 M50              |
| <b>9</b>        | Rq                   | Rq                     | <b>487 0289-13</b> | Lock-nut     | Contre-écrou     | 3 M63              |
|                 | 1                    | 1                      | <b>487 1781-59</b> | Grommet      | Oeillet          | 3 Steam            |



| <b>TD60,TD77</b>            |                      |                        |                                    |                       |              |                    | Illustration    | Issue    | Month     | Year        |  |
|-----------------------------|----------------------|------------------------|------------------------------------|-----------------------|--------------|--------------------|-----------------|----------|-----------|-------------|--|
| <b>Heat Pipes, complete</b> |                      |                        |                                    |                       |              |                    | Schéma          | Issue    | Month     | Year        |  |
| <b>Heat Pipes, complète</b> |                      |                        |                                    |                       |              |                    | <b>200431/1</b> | <b>3</b> | <b>11</b> | <b>2008</b> |  |
| Item<br>Article             | Quantity<br>Quantité | Art.No<br>Réf. article | Description                        | Description           | Info<br>Info | Notes<br>Remarques |                 |          |           |             |  |
|                             |                      | TD60                   |                                    |                       |              |                    |                 |          |           |             |  |
|                             |                      | TD77                   |                                    |                       |              |                    |                 |          |           |             |  |
| <b>1</b>                    | 1                    | 1                      | <b>487 1490-40</b> Cabinet         | Armoire               | 3            | Complete           |                 |          |           |             |  |
| <b>2</b>                    | 2                    | 2                      | <b>487 1490-77</b> •Cover          | •Capot                | 3            |                    |                 |          |           |             |  |
| <b>3</b>                    | 1                    | 1                      | <b>487 1490-67</b> •Cover          | •Capot                | 3            |                    |                 |          |           |             |  |
| <b>4</b>                    | 1                    | 1                      | <b>487 1714-60</b> Filter          | Filtre                | 3            | Complete           |                 |          |           |             |  |
| <b>5</b>                    | 1                    | 1                      | <b>487 1490-57</b> Air chamber     | Chambre d'aération    | 3            | Complete           |                 |          |           |             |  |
| <b>6</b>                    | 1                    | 1                      | <b>487 1490-49</b> Exhaust channel | Canal de soufflage    | 3            | Complete           |                 |          |           |             |  |
| <b>9</b>                    | 1                    | 1                      | <b>487 1490-70</b> Rear panel      | Plaque arrière        | 3            | Lower              |                 |          |           |             |  |
| <b>10</b>                   | 1                    | 1                      | <b>487 1490-71</b> Rear panel      | Plaque arrière        | 3            | Upper              |                 |          |           |             |  |
| <b>11</b>                   | 1                    | 1                      | <b>487 1970-02</b> Rear panel      | Plaque arrière        | 3            | Top                |                 |          |           |             |  |
| <b>12</b>                   | 1                    | 1                      | <b>487 1490-72</b> Control lid     | Couvercle de commande | 3            |                    |                 |          |           |             |  |
| <b>13</b>                   | 1                    | 1                      | <b>487 1490-64</b> Channel         | Canal                 | 3            |                    |                 |          |           |             |  |



|                  |
|------------------|
| Issue Month Year |
| 03 05 05         |

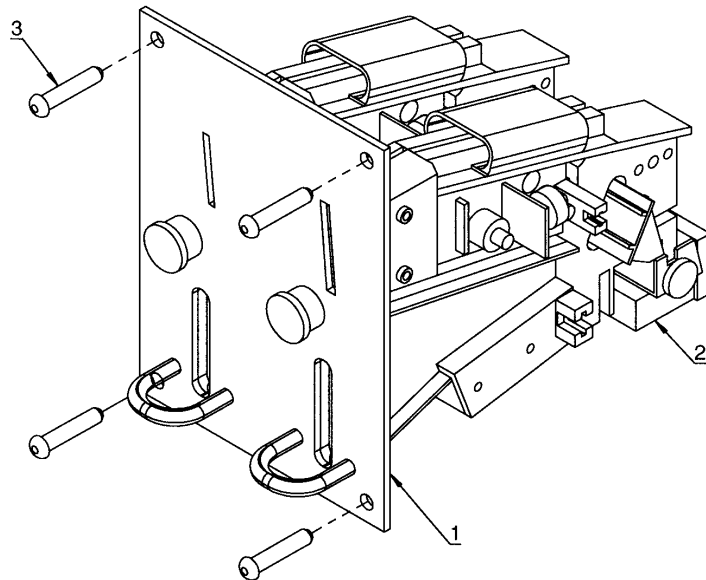
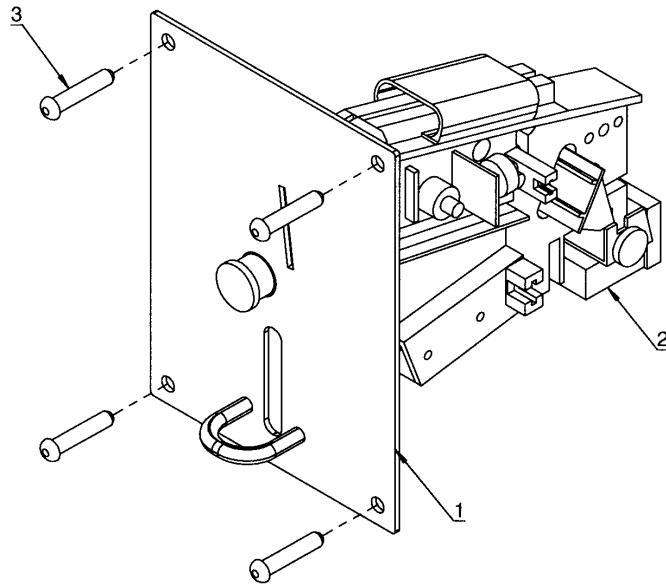
**TD60,TD77**

**Coin meter, complete**

**Sélecteur de monnaie, complet**

Illustration Issue Month Year  
Schéma Issue Month Year  
**200145/2 11 2 2011**

| Item<br>Article | Quantity<br>Quantité | Art.No<br>Réf. article | Description        | Description          | Info<br>Info         | Notes<br>Remarques                              |
|-----------------|----------------------|------------------------|--------------------|----------------------|----------------------|---|
| <b>1</b>        | TD60                 |                        |                    |                      |                      |   |
|                 | TD77                 |                        |                    |                      |                      |   |
|                 | 1                    | 1                      | <b>487 1457-01</b> | Coin meter           | Sélecteur de monnaie | 3 25 cent USA                                   |
|                 | 1                    | 1                      | <b>487 1457-02</b> | Coin meter           | Sélecteur de monnaie | 3 25 cent Canada                                |
|                 | 1                    | 1                      | <b>487 1457-03</b> | Coin meter           | Sélecteur de monnaie | 3 100 Yen Japan                                 |
|                 | 1                    | 1                      | <b>487 1457-04</b> | Coin meter           | Sélecteur de monnaie | 3 1 Euro+50 Eurocent                            |
|                 | 1                    | 1                      | <b>487 1457-05</b> | Coin meter           | Sélecteur de monnaie | 3 1£ 20pence GB                                 |
|                 | 1                    | 1                      | <b>487 1457-06</b> | Coin meter           | Sélecteur de monnaie | 3 1+5 Dkr.                                      |
|                 | 1                    | 1                      | <b>487 1457-07</b> | Coin meter           | Sélecteur de monnaie | 3 10+50 Dollar Taiwan                           |
|                 | 1                    | 1                      | <b>487 1457-08</b> | Coin meter           | Sélecteur de monnaie | 3 1+2 DKr.                                      |
|                 | 1                    | 1                      | <b>487 1457-09</b> | Coin meter           | Sélecteur de monnaie | 3 1+10 DKr.                                     |
|                 | 1                    | 1                      | <b>487 1457-10</b> | Coin meter           | Sélecteur de monnaie | 3 2+5 Dkr.                                      |
|                 | 1                    | 1                      | <b>487 1457-11</b> | Coin meter           | Sélecteur de monnaie | 3 2+10 DKr.                                     |
|                 | 1                    | 1                      | <b>487 1457-12</b> | Coin meter           | Sélecteur de monnaie | 3 5+10 DKr.                                     |
|                 | 1                    | 1                      | <b>487 1457-13</b> | Coin meter           | Sélecteur de monnaie | 3 1+5 NKr.                                      |
|                 | 1                    | 1                      | <b>487 1457-14</b> | Coin meter           | Sélecteur de monnaie | 3 10+1 NKr.                                     |
|                 | 1                    | 1                      | <b>487 1457-15</b> | Coin meter           | Sélecteur de monnaie | 3 10+5 NKr.                                     |
|                 | 1                    | 1                      | <b>487 1457-16</b> | Coin meter           | Sélecteur de monnaie | 3 10+20 NKr.                                    |
|                 | 1                    | 1                      | <b>487 1457-17</b> | Coin meter           | Sélecteur de monnaie | 3 1+0,20 CHFranc                                |
|                 | 1                    | 1                      | <b>438 8924-03</b> | Coin meter           | Sélecteur de monnaie | 3 2 Coins, 1+2 CHF                              |
|                 | 1                    | 1                      | <b>438 8924-01</b> | Coin meter           | Monnayeur            | 3 2 Coins, 1+5 LTL                              |
|                 | 1                    | 1                      | <b>438 8924-06</b> | Coin meter           | Monnayeur            | 3 2 Coins, 1+2 NZD                              |
|                 | 1                    | 1                      | <b>487 1457-18</b> | Coin meter           | Sélecteur de monnaie | 3 1+5 Shekel Israel                             |
|                 | 1                    | 1                      | <b>487 1457-19</b> | Coin meter           | Sélecteur de monnaie | 3 2+5 Rand ZA                                   |
|                 | 1                    | 1                      | <b>487 1457-20</b> | Coin meter           | Sélecteur de monnaie | 3 1+5 Dollar Hongkong                           |
|                 | 1                    | 1                      | <b>487 1457-21</b> | Coin meter           | Sélecteur de monnaie | 3 100 + 500 Yen Japan                           |
|                 | 1                    | 1                      | <b>487 1457-22</b> | Coin meter           | Sélecteur de monnaie | 3 1 Dollar+20 cent                              |
|                 | 1                    | 1                      | <b>487 1457-23</b> | Coin meter           | Sélecteur de monnaie | 3 10+50 Eurocent                                |
|                 | 1                    | 1                      | <b>487 1457-24</b> | Coin meter           | Sélecteur de monnaie | 3 1 Euro+10 Eurocent                            |
|                 | 1                    | 1                      | <b>487 1457-25</b> | Coin meter           | Sélecteur de monnaie | 3 1 Euro+20 Eurocent                            |
|                 | 1                    | 1                      | <b>487 1457-26</b> | Coin meter           | Sélecteur de monnaie | 3 1+2Euro                                       |
|                 | 1                    | 1                      | <b>487 1457-27</b> | Coin meter           | Sélecteur de monnaie | 3 2 Euro+20 Eurocent                            |
|                 | 1                    | 1                      | <b>487 1457-28</b> | Coin meter           | Sélecteur de monnaie | 3 1MYR Ø24,5X2,7 + 0,5MYR<br>Ø27,7X2,1 Malaysia |
|                 | 1                    | 1                      | <b>487 1457-29</b> | Coin meter           | Sélecteur de monnaie | 3 Mench Ø24,52X2,49<br>Belgium                  |
|                 | 1                    | 1                      | <b>487 1457-30</b> | Coin meter           | Sélecteur de monnaie | 3 1 Dollar Canada                               |
|                 | 1                    | 1                      | <b>487 1457-31</b> | Coin meter           | Sélecteur de monnaie | 3 1AED Ø24,0x2,0                                |
|                 | 1                    | 1                      | <b>487 1457-32</b> | Coin meter           | Sélecteur de monnaie | 3 1 Dollar Australia                            |
|                 | 1                    | 1                      | <b>438 8924-05</b> | Coin meter           | Monnayeur            | 3 2 Coins, 2+2 AUD                              |
|                 | 1                    | 1                      | <b>487 1457-33</b> | Coin meter           | Sélecteur de monnaie | 3 20 Kr. CS                                     |
|                 | 1                    | 1                      | <b>487 1457-34</b> | Coin meter           | Sélecteur de monnaie | 3 1 DKr.  |
|                 | 1                    | 1                      | <b>487 1457-35</b> | Coin meter           | Sélecteur de monnaie | 3 2 DKr.  |
|                 | 1                    | 1                      | <b>487 1457-36</b> | Coin meter           | Sélecteur de monnaie | 3 10 DKr.                                       |
|                 | 1                    | 1                      | <b>487 1457-37</b> | Coin meter           | Sélecteur de monnaie | 3 10 Eurocent                                   |
|                 | 1                    | 1                      | <b>487 1457-38</b> | Coin meter           | Sélecteur de monnaie | 3 20 Eurocent                                   |
|                 | 1                    | 1                      | <b>487 1457-39</b> | Coin meter           | Sélecteur de monnaie | 3 50 Eurocent                                   |
|                 | 1                    | 1                      | <b>487 1457-40</b> | Coin meter           | Sélecteur de monnaie | 3 1 Euro  |
|                 | 1                    | 1                      | <b>487 1457-41</b> | Coin meter           | Sélecteur de monnaie | 3 20 pence Ø21,4x1,75                           |
|                 | 1                    | 1                      | <b>487 1457-42</b> | Coin meter           | Sélecteur de monnaie | 3 1 Dollar Hongkong                             |
|                 | 1                    | 1                      | <b>487 1457-43</b> | Coin meter           | Sélecteur de monnaie | 3 5 Dollar Hongkong                             |
|                 | 1                    | 1                      | <b>487 1457-45</b> | Coin meter           | Sélecteur de monnaie | 3 500 Won Korea                                 |
|                 | 1                    | 1                      | <b>487 1457-46</b> | Coin meter           | Sélecteur de monnaie | 3 0,2 MYR                                       |
|                 | 1                    | 1                      | <b>487 1457-47</b> | Coin meter           | Sélecteur de monnaie | 3 0,5 MYR                                       |
| 1               | 1                    | <b>487 1457-48</b>     | Coin meter         | Sélecteur de monnaie | 3 1 SKr.             |   |
| 1               | 1                    | <b>487 1457-49</b>     | Coin meter         | Sélecteur de monnaie | 3 5 SKr.             |   |
| 1               | 1                    | <b>487 1457-50</b>     | Coin meter         | Sélecteur de monnaie | 3 10 SKr.            |   |
| 1               | 1                    | <b>487 1457-51</b>     | Coin meter         | Sélecteur de monnaie | 3 50cent SGP         |   |
| 1               | 1                    | <b>487 1457-52</b>     | Coin meter         | Sélecteur de monnaie | 3 1 Dollar SGP       |   |



|                  |
|------------------|
| Issue Month Year |
| 03 05 05         |



**TD60,TD77****Coin meter, complete****Sélecteur de monnaie, complet**

|                 |           |          |             |
|-----------------|-----------|----------|-------------|
| Illustration    | Issue     | Month    | Year        |
| Schéma          | Issue     | Month    | Year        |
| <b>200145/2</b> | <b>11</b> | <b>2</b> | <b>2011</b> |

| Item<br>Article | Quantity<br>Quantité | Art.No<br>Réf. article | Description | Description          | Info<br>Info | Notes<br>Remarques               |
|-----------------|----------------------|------------------------|-------------|----------------------|--------------|----------------------------------|
|                 |                      | <b>TD60</b>            |             |                      |              |                                  |
|                 |                      | <b>TD77</b>            |             |                      |              |                                  |
|                 | 1                    | <b>487 1457-53</b>     | Coin meter  | Sélecteur de monnaie | 3            | 10 Dollar Taiwan                 |
|                 | 1                    | <b>487 1457-54</b>     | Coin meter  | Sélecteur de monnaie | 3            | 2 Rand ZA                        |
|                 | 1                    | <b>487 1457-55</b>     | Coin meter  | Sélecteur de monnaie | 3            | 1 NKr.                           |
|                 | 1                    | <b>487 1457-56</b>     | Coin meter  | Sélecteur de monnaie | 3            | 5 NKr.                           |
|                 | 1                    | <b>487 1457-57</b>     | Coin meter  | Sélecteur de monnaie | 3            | 10 NKr.                          |
|                 | 1                    | <b>487 1457-58</b>     | Coin meter  | Sélecteur de monnaie | 3            | AEG Token Ø21x1,85               |
|                 | 1                    | <b>487 1457-59</b>     | Coin meter  | Sélecteur de monnaie | 3            | AEG Token ø25,75x1,5             |
|                 | 1                    | <b>487 1457-60</b>     | Coin meter  | Sélecteur de monnaie | 3            | AEG Token Ø26x2,1                |
|                 | 1                    | <b>487 1457-61</b>     | Coin meter  | Sélecteur de monnaie | 3            | AEG Token Ø22,5x2                |
|                 | 1                    | <b>487 1457-62</b>     | Coin meter  | Sélecteur de monnaie | 3            | Austromat Ø 21,6x1,55            |
|                 | 1                    | <b>487 1457-63</b>     | Coin meter  | Sélecteur de monnaie | 3            | Automatik Token Ø20x1,6<br>NL    |
|                 | 1                    | <b>487 1457-64</b>     | Coin meter  | Sélecteur de monnaie | 3            | BHG gas - coin                   |
|                 | 1                    | <b>487 1457-65</b>     | Coin meter  | Sélecteur de monnaie | 3            | Token el-coin                    |
|                 | 1                    | <b>487 1457-66</b>     | Coin meter  | Sélecteur de monnaie | 3            | RM el-coin                       |
|                 | 1                    | <b>487 1457-67</b>     | Coin meter  | Sélecteur de monnaie | 3            | Elux Token Ø24,3x1,5             |
|                 | 1                    | <b>487 1457-68</b>     | Coin meter  | Sélecteur de monnaie | 3            | Finnish token Ø26,3x1,9          |
|                 | 1                    | <b>487 1457-69</b>     | Coin meter  | Sélecteur de monnaie | 3            | Coin Meter Ø22,3x1,5<br>Hongkong |
|                 | 1                    | <b>487 1457-70</b>     | Coin meter  | Sélecteur de monnaie | 3            | Micromatik Token1                |
|                 | 1                    | <b>487 1457-71</b>     | Coin meter  | Sélecteur de monnaie | 3            | Micromatik Token2                |
|                 | 1                    | <b>487 1457-72</b>     | Coin meter  | Sélecteur de monnaie | 3            | Miele Token Ø28,07x1,85          |
|                 | 1                    | <b>487 1457-73</b>     | Coin meter  | Sélecteur de monnaie | 3            | Miele Token Ø23,02x1,8           |
|                 | 1                    | <b>487 1457-74</b>     | Coin meter  | Sélecteur de monnaie | 3            | Nyborg Coin-operated             |
|                 | 1                    | <b>487 1457-75</b>     | Coin meter  | Sélecteur de monnaie | 3            | 1 Token Müller Ø22,0x1,6         |
|                 | 1                    | <b>487 1457-76</b>     | Coin meter  | Sélecteur de monnaie | 3            | Müller Token Ø25x2               |
|                 | 1                    | <b>487 1457-77</b>     | Coin meter  | Sélecteur de monnaie | 3            | NL FAM Ø28,42x2                  |
|                 | 1                    | <b>487 1457-78</b>     | Coin meter  | Sélecteur de monnaie | 3            | NY1 Token                        |
|                 | 1                    | <b>487 1457-79</b>     | Coin meter  | Sélecteur de monnaie | 3            | NY2 Token                        |
|                 | 1                    | <b>487 1457-80</b>     | Coin meter  | Sélecteur de monnaie | 3            | NY3 Token                        |
|                 | 1                    | <b>487 1457-81</b>     | Coin meter  | Sélecteur de monnaie | 3            | NY 4 Token Ø27,3x1,6             |
|                 | 1                    | <b>487 1457-82</b>     | Coin meter  | Sélecteur de monnaie | 3            | SAB Token                        |
|                 | 1                    | <b>487 1457-83</b>     | Coin meter  | Sélecteur de monnaie | 3            | Sporrong Ø24,3x1,27              |
|                 | 1                    | <b>487 1457-84</b>     | Coin meter  | Sélecteur de monnaie | 3            | 1 Token Ø22,45x1,7 USA           |
|                 | 1                    | <b>487 1457-85</b>     | Coin meter  | Sélecteur de monnaie | 3            | VØ 1 Token                       |
|                 | 1                    | <b>487 1457-86</b>     | Coin meter  | Sélecteur de monnaie | 3            | VØ 2 Token                       |
|                 | 1                    | <b>487 1457-87</b>     | Coin meter  | Sélecteur de monnaie | 3            | WA 1 Token Ø24,3x1,5             |
|                 | 1                    | <b>487 1457-88</b>     | Coin meter  | Sélecteur de monnaie | 3            | WA 2 Token                       |
|                 | 1                    | <b>487 1457-89</b>     | Coin meter  | Sélecteur de monnaie | 3            | WA 3 Token Ø190x1,0              |
|                 | 1                    | <b>487 1457-90</b>     | Coin meter  | Sélecteur de monnaie | 3            | WA 4 Token                       |
|                 | 1                    | <b>487 1457-91</b>     | Coin meter  | Sélecteur de monnaie | 3            | WA 5 Token Ø22,35x1,6            |
|                 | 1                    | <b>487 1457-92</b>     | Coin meter  | Sélecteur de monnaie | 3            | WA 6 Token Ø23,7x1,3             |
|                 | 1                    | <b>487 1457-93</b>     | Coin meter  | Sélecteur de monnaie | 3            | Wasch Center Token Ø23,<br>5x1,3 |
|                 | 1                    | <b>487 1457-94</b>     | Coin meter  | Sélecteur de monnaie | 3            | 1 Dollar+25 cent Canada          |
|                 | 1                    | <b>487 1457-95</b>     | Coin meter  | Sélecteur de monnaie | 3            | 1+0,5 Dollar New Zealand         |
|                 | 1                    | <b>487 1457-96</b>     | Coin meter  | Sélecteur de monnaie | 3            | Token Ø32x2,0 322PL              |
| <b>2</b>        | 1                    | <b>487 0281-98</b>     | Sensor      | Détecteur            | 1            | Münzprüfer meter                 |
|                 | 1                    | <b>487 0281-99</b>     | Sensor      | Détecteur            | 1            | Münzprüfer meter Japan           |
|                 | 1                    | <b>471 8910-91</b>     | Sensor      | Détecteur            | 1            | Müller meter                     |
| <b>3</b>        | 4                    | <b>488 6549-27</b>     | Screw       | Vis                  | 3            | M4x15                            |



## Numerical index/Numerical index

| Art.No/Réf. article | Page/Page | Art.No/Réf. article | Page/Page | Art.No/Réf. article | Page/Page | Art.No/Réf. article | Page/Page |
|---------------------|-----------|---------------------|-----------|---------------------|-----------|---------------------|-----------|
| 125 8760-00         | 7         | 471 9853-54         | 33        | 487 0274-06         | 25        | 487 0510-55         | 21        |
| 413 3182-31         | 43        | 471 9853-55         | 35        | 487 0274-11         | 21        | 487 0510-56         | 21        |
| 4133182330          | 43        | 471 9853-57         | 37        | 487 0274-18         | 7         | 487 0510-56         | 25        |
| 432 2230-01         | 15        | 471 9853-58         | 33        | 487 0274-49         | 7         | 487 0510-57         | 21        |
| 432 2233-02         | 15        | 471 9853-58         | 37        | 487 0274-49         | 11        | 487 0510-57         | 25        |
| 432 2620-02         | 9         | 471 9853-60         | 37        | 487 0275-13         | 51        | 487 0510-58         | 21        |
| 432 2620-12         | 9         | 471 9853-76         | 33        | 487 0281-04         | 45        | 487 0510-59         | 25        |
| 438 0299-01         | 43        | 471 9853-77         | 35        | 487 0281-16         | 9         | 487 0510-64         | 41        |
| 438 8761-06         | 45        | 471 9853-78         | 35        | 487 0281-66         | 45        | 487 0510-64         | 45        |
| 438 8761-06         | 49        | 471 9853-81         | 33        | 487 0281-71         | 15        | 487 0510-65         | 11        |
| 438 8761-07         | 45        | 471 9853-81         | 37        | 487 0281-98         | 57        | 487 0510-66         | 41        |
| 438 8761-07         | 49        | 471 9853-82         | 33        | 487 0281-99         | 57        | 487 0510-66         | 45        |
| 438 8766-01         | 27        | 471 9853-82         | 37        | 487 0285-72         | 11        | 487 0510-67         | 39        |
| 438 8768-01         | 27        | 471 9853-84         | 33        | 487 0285-74         | 11        | 487 0510-67         | 41        |
| 438 8776-01         | 41        | 471 9853-87         | 33        | 487 0285-75         | 11        | 487 0510-68         | 45        |
| 438 8924-01         | 55        | 471 9853-87         | 37        | 487 0285-78         | 11        | 487 0510-69         | 45        |
| 438 8924-03         | 55        | 471 9853-90         | 33        | 487 0286-09         | 7         | 487 0510-71         | 45        |
| 438 8924-05         | 55        | 471 9853-90         | 37        | 487 0289-02         | 51        | 487 0510-72         | 41        |
| 438 8924-06         | 55        | 471 9853-95         | 37        | 487 0289-03         | 51        | 487 0510-73         | 33        |
| 438 9566-02         | 27        | 471 9869-18         | 37        | 487 0289-04         | 51        | 487 0510-73         | 41        |
| 438 9636-11         | 41        | 471 9890-02         | 33        | 487 0289-05         | 51        | 487 0510-74         | 37        |
| 438 9636-11         | 45        | 471 9891-01         | 33        | 487 0289-06         | 51        | 487 0510-74         | 41        |
| 438 9636-81         | 41        | 472 7307-01         | 15        | 487 0289-10         | 51        | 487 0510-75         | 41        |
| 438 9637-31         | 41        | 472 7308-01         | 15        | 487 0289-11         | 51        | 487 0510-75         | 45        |
| 438 9637-31         | 47        | 472 7414-01         | 7         | 487 0289-12         | 51        | 487 0510-75         | 47        |
| 438 9638-31         | 47        | 472 7463-02         | 7         | 487 0289-13         | 51        | 487 0510-76         | 47        |
| 471 1765-25         | 15        | 472 7777-01         | 7         | 487 0289-14         | 51        | 487 0510-77         | 41        |
| 471 1765-26         | 15        | 472 7864-11         | 39        | 487 0289-16         | 45        | 487 0510-77         | 45        |
| 471 1765-49         | 15        | 472 8012-01         | 7         | 487 0289-17         | 45        | 487 0510-77         | 47        |
| 471 1765-50         | 15        | 472 8243-02         | 39        | 487 0289-20         | 39        | 487 0510-78         | 47        |
| 471 1953-57         | 33        | 472 9920-10         | 9         | 487 0289-22         | 45        | 487 0510-79         | 47        |
| 471 1953-68         | 33        | 472 9920-11         | 9         | 487 0289-23         | 45        | 487 0510-80         | 47        |
| 471 1953-82         | 33        | 472 9920-12         | 9         | 487 0289-29         | 47        | 487 0510-81         | 47        |
| 471 2068-48         | 15        | 472 9927-01         | 21        | 487 0289-35         | 47        | 487 0510-82         | 47        |
| 471 7903-03         | 15        | 472 9927-04         | 9         | 487 0289-36         | 47        | 487 0510-83         | 47        |
| 471 7958-02         | 43        | 472 9927-05         | 9         | 487 0289-46         | 41        | 487 0510-84         | 49        |
| 471 7977-01         | 51        | 487 0068-24         | 33        | 487 0289-47         | 41        | 487 0510-85         | 45        |
| 471 7977-04         | 51        | 487 0068-24         | 35        | 487 0289-48         | 41        | 487 0510-85         | 49        |
| 471 8400-06         | 33        | 487 0068-24         | 37        | 487 0289-51         | 23        | 487 0510-86         | 47        |
| 471 8400-06         | 35        | 487 0068-28         | 33        | 487 0289-51         | 25        | 487 0510-87         | 45        |
| 471 8400-06         | 37        | 487 0068-28         | 35        | 487 0510-01         | 41        | 487 0510-87         | 47        |
| 471 8502-18         | 15        | 487 0068-28         | 37        | 487 0510-02         | 41        | 487 0510-90         | 45        |
| 471 8509-00         | 39        | 487 0101-97         | 19        | 487 0510-03         | 41        | 487 0510-90         | 49        |
| 471 8750-17         | 9         | 487 0101-98         | 19        | 487 0510-04         | 41        | 487 0510-91         | 49        |
| 471 8750-18         | 9         | 487 0150-10         | 15        | 487 0510-05         | 41        | 487 0510-94         | 47        |
| 471 8767-03         | 45        | 487 0150-12         | 19        | 487 0510-06         | 41        | 487 0510-95         | 47        |
| 471 8815-04         | 33        | 487 0150-14         | 21        | 487 0510-07         | 41        | 487 0510-97         | 47        |
| 471 8815-04         | 35        | 487 0151-14         | 25        | 487 0510-08         | 41        | 487 0510-98         | 47        |
| 471 8815-04         | 37        | 487 0151-15         | 15        | 487 0510-09         | 41        | 487 0511-00         | 7         |
| 471 8910-91         | 57        | 487 0151-15         | 19        | 487 0510-10         | 41        | 487 0511-04         | 51        |
| 471 9018-51         | 21        | 487 0151-86         | 21        | 487 0510-11         | 41        | 487 0511-05         | 51        |
| 471 9018-51         | 25        | 487 0151-86         | 25        | 487 0510-12         | 41        | 487 0511-06         | 51        |
| 471 9525-26         | 23        | 487 0155-20         | 49        | 487 0510-13         | 41        | 487 0511-18         | 45        |
| 471 9525-26         | 25        | 487 0155-40         | 49        | 487 0510-14         | 41        | 487 0511-19         | 45        |
| 471 9566-01         | 23        | 487 0155-50         | 49        | 487 0510-15         | 41        | 487 0511-20         | 45        |
| 471 9566-01         | 25        | 487 0155-90         | 47        | 487 0510-16         | 41        | 487 0511-22         | 41        |
| 471 9566-05         | 23        | 487 0191-25         | 11        | 487 0510-17         | 41        | 487 0511-23         | 15        |
| 471 9566-05         | 25        | 487 0199-36         | 45        | 487 0510-18         | 41        | 487 0511-24         | 15        |
| 471 9628-32         | 11        | 487 0274-00         | 21        | 487 0510-19         | 41        | 487 0511-26         | 11        |
| 471 9628-75         | 11        | 487 0274-00         | 25        | 487 0510-25         | 49        | 487 0511-30         | 15        |
| 471 9678-96         | 7         | 487 0274-01         | 21        | 487 0510-26         | 49        | 487 0511-31         | 15        |
| 471 9678-96         | 39        | 487 0274-01         | 25        | 487 0510-30         | 9         | 487 0523-60         | 13        |
| 471 9790-13         | 27        | 487 0274-02         | 21        | 487 0510-34         | 47        | 487 0523-61         | 13        |
| 471 9853-48         | 33        | 487 0274-02         | 25        | 487 0510-35         | 47        | 487 0523-70         | 13        |
| 471 9853-48         | 37        | 487 0274-04         | 25        | 487 0510-44         | 19        | 487 0523-71         | 13        |
| 471 9853-50         | 37        | 487 0274-05         | 25        | 487 0510-44         | 41        | 487 0523-85         | 13        |

## Numerical index/Numerical index

| Art.No/Réf. article | Page/Page | Art.No/Réf. article | Page/Page | Art.No/Réf. article | Page/Page | Art.No/Réf. article | Page/Page |
|---------------------|-----------|---------------------|-----------|---------------------|-----------|---------------------|-----------|
| 487 0523-95         | 13        | 487 1457-01         | 55        | 487 1457-68         | 57        | 487 1695-49         | 25        |
| 487 0527-01         | 11        | 487 1457-02         | 55        | 487 1457-69         | 57        | 487 1695-53         | 21        |
| 487 0528-05         | 27        | 487 1457-03         | 55        | 487 1457-70         | 57        | 487 1695-64         | 15        |
| 487 0528-07         | 47        | 487 1457-04         | 55        | 487 1457-71         | 57        | 487 1695-79         | 7         |
| 487 0528-08         | 27        | 487 1457-05         | 55        | 487 1457-72         | 57        | 487 1695-84         | 7         |
| 487 0528-09         | 27        | 487 1457-06         | 55        | 487 1457-73         | 57        | 487 1695-87         | 21        |
| 487 0528-10         | 27        | 487 1457-07         | 55        | 487 1457-74         | 57        | 487 1695-87         | 25        |
| 487 0528-11         | 27        | 487 1457-08         | 55        | 487 1457-75         | 57        | 487 1695-91         | 15        |
| 487 0528-15         | 47        | 487 1457-09         | 55        | 487 1457-76         | 57        | 487 1695-92         | 15        |
| 487 0528-16         | 47        | 487 1457-10         | 55        | 487 1457-77         | 57        | 487 1697-03         | 33        |
| 487 0906-01         | 13        | 487 1457-11         | 55        | 487 1457-78         | 57        | 487 1697-03         | 37        |
| 487 0908-01         | 9         | 487 1457-12         | 55        | 487 1457-79         | 57        | 487 1697-07         | 29        |
| 487 0909-01         | 9         | 487 1457-13         | 55        | 487 1457-80         | 57        | 487 1697-07         | 31        |
| 487 0910-00         | 9         | 487 1457-14         | 55        | 487 1457-81         | 57        | 487 1701-19         | 33        |
| 487 0910-01         | 9         | 487 1457-15         | 55        | 487 1457-82         | 57        | 487 1701-22         | 33        |
| 487 0910-02         | 9         | 487 1457-16         | 55        | 487 1457-83         | 57        | 487 1701-22         | 35        |
| 487 0910-03         | 9         | 487 1457-17         | 55        | 487 1457-84         | 57        | 487 1701-22         | 37        |
| 487 0911-00         | 9         | 487 1457-18         | 55        | 487 1457-85         | 57        | 487 1701-46         | 37        |
| 487 0911-01         | 9         | 487 1457-19         | 55        | 487 1457-86         | 57        | 487 1702-45         | 45        |
| 487 0911-02         | 9         | 487 1457-20         | 55        | 487 1457-87         | 57        | 487 1702-69         | 15        |
| 487 0911-19         | 9         | 487 1457-21         | 55        | 487 1457-88         | 57        | 487 1703-98         | 23        |
| 487 0911-21         | 9         | 487 1457-22         | 55        | 487 1457-89         | 57        | 487 1703-98         | 25        |
| 487 0911-22         | 9         | 487 1457-23         | 55        | 487 1457-90         | 57        | 487 1703-99         | 25        |
| 487 0911-28         | 9         | 487 1457-24         | 55        | 487 1457-91         | 57        | 487 1707-09         | 13        |
| 487 0911-31         | 9         | 487 1457-25         | 55        | 487 1457-92         | 57        | 487 1707-11         | 9         |
| 487 0911-32         | 9         | 487 1457-26         | 55        | 487 1457-93         | 57        | 487 1707-12         | 9         |
| 487 0911-49         | 9         | 487 1457-27         | 55        | 487 1457-94         | 57        | 487 1714-60         | 53        |
| 487 0911-62         | 9         | 487 1457-28         | 55        | 487 1457-95         | 57        | 487 1715-84         | 29        |
| 487 0911-63         | 9         | 487 1457-29         | 55        | 487 1457-96         | 57        | 487 1715-84         | 31        |
| 487 0928-01         | 9         | 487 1457-30         | 55        | 487 1490-40         | 53        | 487 1715-85         | 29        |
| 487 0936-20         | 9         | 487 1457-31         | 55        | 487 1490-49         | 53        | 487 1715-85         | 31        |
| 487 0945-01         | 9         | 487 1457-32         | 55        | 487 1490-57         | 53        | 487 1715-86         | 29        |
| 487 0951-11         | 45        | 487 1457-33         | 55        | 487 1490-64         | 53        | 487 1715-86         | 31        |
| 487 0951-12         | 45        | 487 1457-34         | 55        | 487 1490-67         | 53        | 487 1715-87         | 31        |
| 487 0960-05         | 9         | 487 1457-35         | 55        | 487 1490-70         | 53        | 487 1715-88         | 31        |
| 487 0960-20         | 9         | 487 1457-36         | 55        | 487 1490-71         | 53        | 487 1715-89         | 31        |
| 487 0960-55         | 9         | 487 1457-37         | 55        | 487 1490-72         | 53        | 487 1715-90         | 29        |
| 487 0961-20         | 7         | 487 1457-38         | 55        | 487 1490-77         | 53        | 487 1715-90         | 31        |
| 487 0961-75         | 7         | 487 1457-39         | 55        | 487 1510-88         | 13        | 487 1715-91         | 31        |
| 487 0962-20         | 7         | 487 1457-40         | 55        | 487 1512-30         | 7         | 487 1715-92         | 29        |
| 487 0962-75         | 7         | 487 1457-41         | 55        | 487 1533-96         | 33        | 487 1715-92         | 31        |
| 487 0963-20         | 7         | 487 1457-42         | 55        | 487 1533-97         | 37        | 487 1715-93         | 31        |
| 487 0963-75         | 7         | 487 1457-43         | 55        | 487 1535-65         | 41        | 487 1756-01         | 15        |
| 487 0971-20         | 7         | 487 1457-45         | 55        | 487 1535-76         | 25        | 487 1756-01         | 19        |
| 487 0971-75         | 7         | 487 1457-46         | 55        | 487 1535-79         | 47        | 487 1756-02         | 15        |
| 487 0972-20         | 7         | 487 1457-47         | 55        | 487 1600-12         | 7         | 487 1756-02         | 19        |
| 487 0972-75         | 7         | 487 1457-48         | 55        | 487 1626-04         | 7         | 487 1756-20         | 15        |
| 487 0973-20         | 7         | 487 1457-49         | 55        | 487 1694-32         | 21        | 487 1756-33         | 13        |
| 487 0973-75         | 7         | 487 1457-50         | 55        | 487 1694-34         | 21        | 487 1763-01         | 21        |
| 487 0982-20         | 9         | 487 1457-51         | 55        | 487 1694-34         | 25        | 487 1763-02         | 21        |
| 487 0986-27         | 11        | 487 1457-52         | 55        | 487 1694-35         | 21        | 487 1763-03         | 21        |
| 487 0986-75         | 11        | 487 1457-53         | 57        | 487 1694-35         | 25        | 487 1763-05         | 7         |
| 487 0998-36         | 11        | 487 1457-54         | 57        | 487 1694-48         | 21        | 487 1763-06         | 7         |
| 487 1376-07         | 15        | 487 1457-55         | 57        | 487 1694-55         | 21        | 487 1763-08         | 15        |
| 487 1415-72         | 35        | 487 1457-56         | 57        | 487 1694-64         | 7         | 487 1763-09         | 7         |
| 487 1415-73         | 35        | 487 1457-57         | 57        | 487 1694-92         | 15        | 487 1763-59         | 21        |
| 487 1437-25         | 33        | 487 1457-58         | 57        | 487 1695-03         | 25        | 487 1763-76         | 21        |
| 487 1437-28         | 37        | 487 1457-59         | 57        | 487 1695-04         | 25        | 487 1764-09         | 33        |
| 487 1437-29         | 37        | 487 1457-60         | 57        | 487 1695-15         | 7         | 487 1764-22         | 7         |
| 487 1437-30         | 37        | 487 1457-61         | 57        | 487 1695-26         | 21        | 487 1764-33         | 35        |
| 487 1438-21         | 33        | 487 1457-62         | 57        | 487 1695-27         | 21        | 487 1764-35         | 7         |
| 487 1438-21         | 35        | 487 1457-63         | 57        | 487 1695-30         | 21        | 487 1764-38         | 7         |
| 487 1438-21         | 37        | 487 1457-64         | 57        | 487 1695-35         | 21        | 487 1764-39         | 7         |
| 487 1438-25         | 33        | 487 1457-65         | 57        | 487 1695-48         | 21        | 487 1764-85         | 35        |
| 487 1438-25         | 35        | 487 1457-66         | 57        | 487 1695-48         | 25        | 487 1764-86         | 33        |
| 487 1438-25         | 37        | 487 1457-67         | 57        | 487 1695-49         | 21        | 487 1775-01         | 7         |

## Numerical index/Numerical index

| Art.No/Réf. article | Page/Page | Art.No/Réf. article | Page/Page | Art.No/Réf. article | Page/Page | Art.No/Réf. article | Page/Page |
|---------------------|-----------|---------------------|-----------|---------------------|-----------|---------------------|-----------|
| 487 1781-04         | 29        | 487 1935-32         | 11        | 487 2368-12         | 33        | 731 2322-01         | 25        |
| 487 1781-04         | 31        | 487 1935-39         | 37        | 487 2368-19         | 47        | 732 2116-01         | 21        |
| 487 1781-11         | 29        | 487 1935-40         | 37        | 487 2368-20         | 7         | 732 2116-01         | 25        |
| 487 1781-11         | 31        | 487 1935-41         | 37        | 487 2368-21         | 39        | 734 1173-01         | 21        |
| 487 1781-13         | 29        | 487 1935-43         | 37        | 487 2368-22         | 47        | 734 1173-01         | 25        |
| 487 1781-13         | 31        | 487 1935-60         | 37        | 487 2368-25         | 7         | 734 1176-01         | 21        |
| 487 1781-15         | 29        | 487 1935-87         | 37        | 487 2368-26         | 7         | 734 1176-01         | 25        |
| 487 1781-15         | 31        | 487 1946-53         | 13        | 487 2368-28         | 39        | 735 3122-00         | 21        |
| 487 1781-16         | 29        | 487 1959-11         | 39        | 487 2368-29         | 39        | 735 3122-00         | 25        |
| 487 1781-16         | 31        | 487 1970-02         | 53        | 487 2368-32         | 25        | 738 2104-04         | 21        |
| 487 1781-17         | 29        | 487 1973-44         | 39        | 487 2368-34         | 29        | 738 2104-04         | 25        |
| 487 1781-17         | 31        | 487 1975-41         | 33        | 487 2368-34         | 31        | 762 1137-10         | 7         |
| 487 1781-19         | 29        | 487 1975-41         | 35        | 487 2368-35         | 21        | 762 1137-10         | 17        |
| 487 1781-19         | 31        | 487 1976-73         | 21        | 487 2368-37         | 33        | 762 1137-10         | 41        |
| 487 1781-22         | 29        | 487 1976-74         | 25        | 487 2368-38         | 33        | 762 1191-10         | 41        |
| 487 1781-22         | 31        | 487 2000-62         | 45        | 487 2368-38         | 35        | 762 1209-10         | 45        |
| 487 1781-23         | 15        | 487 2193-01         | 15        | 487 2368-38         | 37        |                     |           |
| 487 1781-51         | 39        | 487 2193-01         | 19        | 487 2368-42         | 35        |                     |           |
| 487 1781-59         | 39        | 487 2193-02         | 15        | 487 2368-50         | 25        |                     |           |
| 487 1781-59         | 51        | 487 2193-02         | 19        | 487 2430-53         | 19        |                     |           |
| 487 1781-63         | 39        | 487 2217-20         | 45        | 487 2430-56         | 19        |                     |           |
| 487 1781-82         | 39        | 487 2217-21         | 45        | 487 2430-59         | 19        |                     |           |
| 487 1781-85         | 39        | 487 2217-24         | 45        | 487 2430-62         | 19        |                     |           |
| 487 1781-87         | 39        | 487 2217-25         | 49        | 487 2430-63         | 11        |                     |           |
| 487 1781-93         | 39        | 487 2217-30         | 45        | 487 2430-70         | 33        |                     |           |
| 487 1813-15         | 7         | 487 2217-31         | 45        | 487 2433-02         | 19        |                     |           |
| 487 1815-03         | 33        | 487 2217-32         | 45        | 487 2433-05         | 19        |                     |           |
| 487 1815-04         | 37        | 487 2219-11         | 13        | 487 2433-08         | 19        |                     |           |
| 487 1815-25         | 33        | 487 2219-16         | 7         | 487 2433-26         | 19        |                     |           |
| 487 1815-26         | 33        | 487 2219-31         | 11        | 487 2433-76         | 33        |                     |           |
| 487 1815-27         | 33        | 487 2237-91         | 23        | 487 2600-61         | 45        |                     |           |
| 487 1815-28         | 37        | 487 2237-92         | 23        | 487 2666-85         | 33        |                     |           |
| 487 1815-29         | 37        | 487 2237-93         | 23        | 487 3175-01         | 27        |                     |           |
| 487 1815-30         | 37        | 487 2237-94         | 23        | 487 3390-02         | 11        |                     |           |
| 487 1816-57         | 7         | 487 2237-95         | 23        | 487 6457-01         | 33        |                     |           |
| 487 1816-78         | 25        | 487 2237-96         | 21        | 487 6458-01         | 33        |                     |           |
| 487 1818-25         | 11        | 487 2280-60         | 15        | 487 7057-40         | 35        |                     |           |
| 487 1820-17         | 7         | 487 2280-61         | 15        | 488 0118-99         | 21        |                     |           |
| 487 1820-45         | 15        | 487 2280-64         | 19        | 488 0118-99         | 25        |                     |           |
| 487 1820-64         | 15        | 487 2280-65         | 15        | 488 0139-16         | 25        |                     |           |
| 487 1820-84         | 7         | 487 2280-86         | 15        | 488 0142-20         | 21        |                     |           |
| 487 1821-03         | 15        | 487 2280-87         | 15        | 488 0142-20         | 25        |                     |           |
| 487 1829-53         | 25        | 487 2290-92         | 15        | 488 0142-30         | 21        |                     |           |
| 487 1829-74         | 25        | 487 2290-98         | 33        | 488 0142-30         | 25        |                     |           |
| 487 1831-00         | 19        | 487 2290-98         | 35        | 488 0150-16         | 21        |                     |           |
| 487 1831-03         | 11        | 487 2290-98         | 37        | 488 6549-27         | 57        |                     |           |
| 487 1831-11         | 31        | 487 2293-40         | 9         | 488 7300-06         | 9         |                     |           |
| 487 1831-13         | 15        | 487 2293-41         | 9         | 490 3500-01         | 41        |                     |           |
| 487 1831-35         | 25        | 487 2299-76         | 37        | 490 3500-02         | 41        |                     |           |
| 487 1831-41         | 7         | 487 2300-18         | 11        | 490 3500-03         | 25        |                     |           |
| 487 1831-42         | 7         | 487 2300-46         | 9         | 490 3500-05         | 21        |                     |           |
| 487 1831-72         | 17        | 487 2307-20         | 11        | 490 3740-01         | 9         |                     |           |
| 487 1831-79         | 25        | 487 2307-33         | 9         | 647 1209-42         | 13        |                     |           |
| 487 1875-00         | 9         | 487 2307-53         | 9         | 725 2329-51         | 21        |                     |           |
| 487 1875-00         | 13        | 487 2309-30         | 33        | 725 2370-51         | 21        |                     |           |
| 487 1875-05         | 11        | 487 2309-30         | 35        | 725 2372-51         | 25        |                     |           |
| 487 1897-05         | 15        | 487 2309-30         | 37        | 725 2497-51         | 15        |                     |           |
| 487 1897-60         | 7         | 487 2309-31         | 33        | 725 2497-51         | 21        |                     |           |
| 487 1897-61         | 21        | 487 2309-31         | 35        | 725 2497-51         | 25        |                     |           |
| 487 1897-62         | 25        | 487 2309-31         | 37        | 725 2538-51         | 21        |                     |           |
| 487 1897-93         | 33        | 487 2317-75         | 11        | 728 5289-00         | 19        |                     |           |
| 487 1898-83         | 19        | 487 2336-42         | 9         | 731 2318-01         | 21        |                     |           |
| 487 1899-91         | 25        | 487 2338-20         | 11        | 731 2318-01         | 25        |                     |           |
| 487 1899-95         | 21        | 487 2338-30         | 11        | 731 2320-01         | 21        |                     |           |
| 487 1899-95         | 23        | 487 2338-55         | 11        | 731 2320-01         | 25        |                     |           |
| 487 1924-72         | 9         | 487 2338-65         | 11        | 731 2322-01         | 21        |                     |           |

Numerical index/Numerical index

| Art.No/Réf. article | Page/Page | Art.No/Réf. article | Page/Page | Art.No/Réf. article | Page/Page | Art.No/Réf. article | Page/Page |
|---------------------|-----------|---------------------|-----------|---------------------|-----------|---------------------|-----------|
|---------------------|-----------|---------------------|-----------|---------------------|-----------|---------------------|-----------|

|  |  |  |  |  |  |  |  |
|--|--|--|--|--|--|--|--|
|  |  |  |  |  |  |  |  |
|--|--|--|--|--|--|--|--|



## **WASCOMAT**

461 Doughty Blvd., Inwood, L.I., N.Y. 11096-0338

Telephone: 516-371-4400

Parts and Service FAX: 516-371-4029

Sales and Administration FAX: 516-371-4204