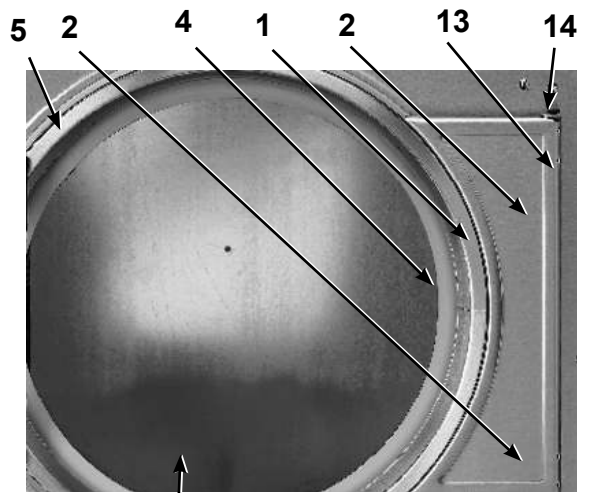
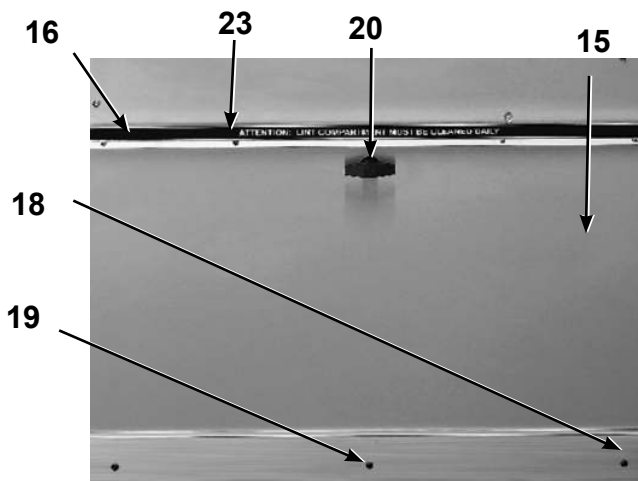
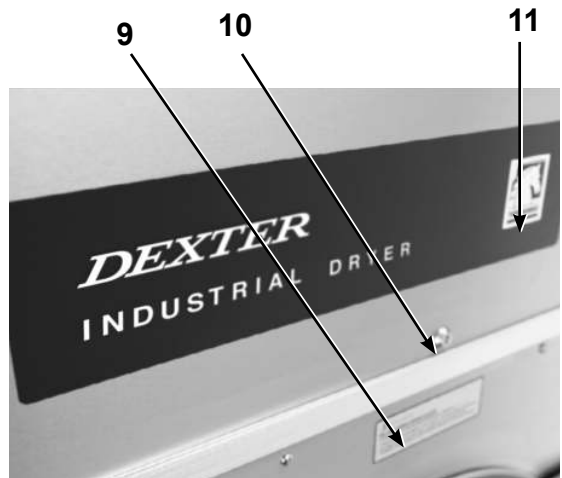
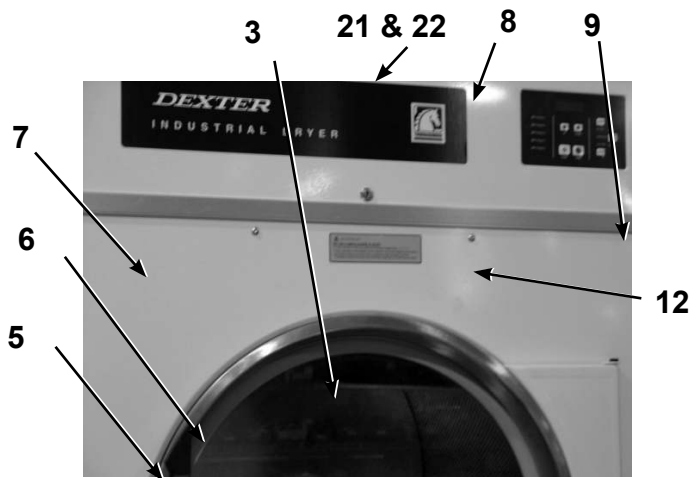
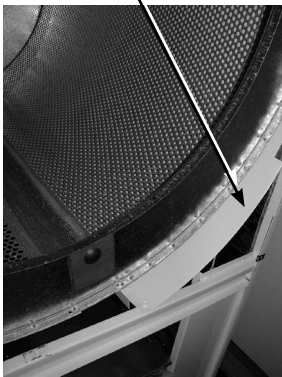

Section 6: **Parts Data**

Section 6: Parts Data - Cabinet Group

Key	Part Number	Description	Quantity
*	9960-285-005	Door Assy., Loading Complete-Wht	1
*	9960-285-004	Door Assy., Loading Complete-SS	1
1	9960-284-002	Door Assy.ONLY, Loading-SS	1
2	9982-360-003	Plate Assy., Hinge (Wht).....	1
2	9982-360-001	Plate Assy., Hinge (SS).....	1
*	9545-012-015	Screw, Hinge to Door 10-32 x 3/8"	4
*	8640-413-002	Nut, Hinge to Door #10-32 UNF	4
3	9212-002-004	Glass, Door.....	1
4	9206-164-010	Gasket, Glass	1
*	9548-117-000	Support, Door Glass (inside gasket).....	1
5	9206-420-004	Gasket, Outer Rim	1
6	9244-082-001	Handle, Loading Door.....	1
*	9545-018-017	Screw, Handle 1/4"-20 x 3/8"	2
*	9531-033-001	Stud, Door Catch	1
*	8640-413-001	Nut, Hex.....	1
*	8640-413-003	Nut , Acorn # 10-32	1
*	9086-015-002	Catch, Loading Door.....	1
7	9989-518-003	Panel Assy., Front- white only	1
7	9989-518-001	Panel Assy., Front- S. Steel.....	1
8	9108-100-004	Door, Upper Service-S.S.....	1
8	9108-100-006	Door, Upper Service-White	1
9	9578-090-002	Trim, Door-Upper Service.....	1
	6292-006-006	Key (only) (FJWCC).....	1
10	8650-006-003	Lock w/ nut, Upper Service Door	1
*	9491-009-001	Rivet, Drive	2
*	8641-581-005	Washer, Flat 3/16"	2
*	9548-268-001	Support, Upper Door	1
11	9412-127-001	Nameplate, Industrial Dryer.....	1
12	9545-012-003	Screw, Chrome 10-32 x 1/2".....	4
*	8641-436-004	Washer, Fiber	4
*	8641-582-019	Lockwasher # 10	10
*	8640-399-001	Nut, Spring U type 10Z.....	6
13	9544-069-002	Strap, Hinge (White)	1
13	9544-069-004	Strap, Hinge (Gray).....	1
*	9545-012-003	Screw, to Panel 10T-32 x 1/2" Strap.....	4
14	9545-052-001	Screw, Door to Hinge Strap (special)	1
*	8641-436-003	Washer, Fiber/ Plastic VSCO on Door Hinge (special) 1	
15	9960-281-001	Door Ass'y, Lower Service-SS	1
15	9960-281-003	Door Ass'y, Lower Service-White	1
16	9578-088-001	Trim, Door - Lower Service.....	1
17	9545-008-021	Screw,Pn Hd Cr., #10Bx3/8	5
18	9578-084-002	Trim, Kick- Lower Service Door.....	1
19	9545-008-010	Screw, Tr Hd Cr-#10x1/2 Blk	3
20	9244-084-001	Latch, Lower Door (Handle).....	1
23	9435-016-003	Overlay Trim	1
*	8502-617-001	Label - Made in the USA	1
*	9277-051-002	Insulation Side Panel.....	6



Baffle Right



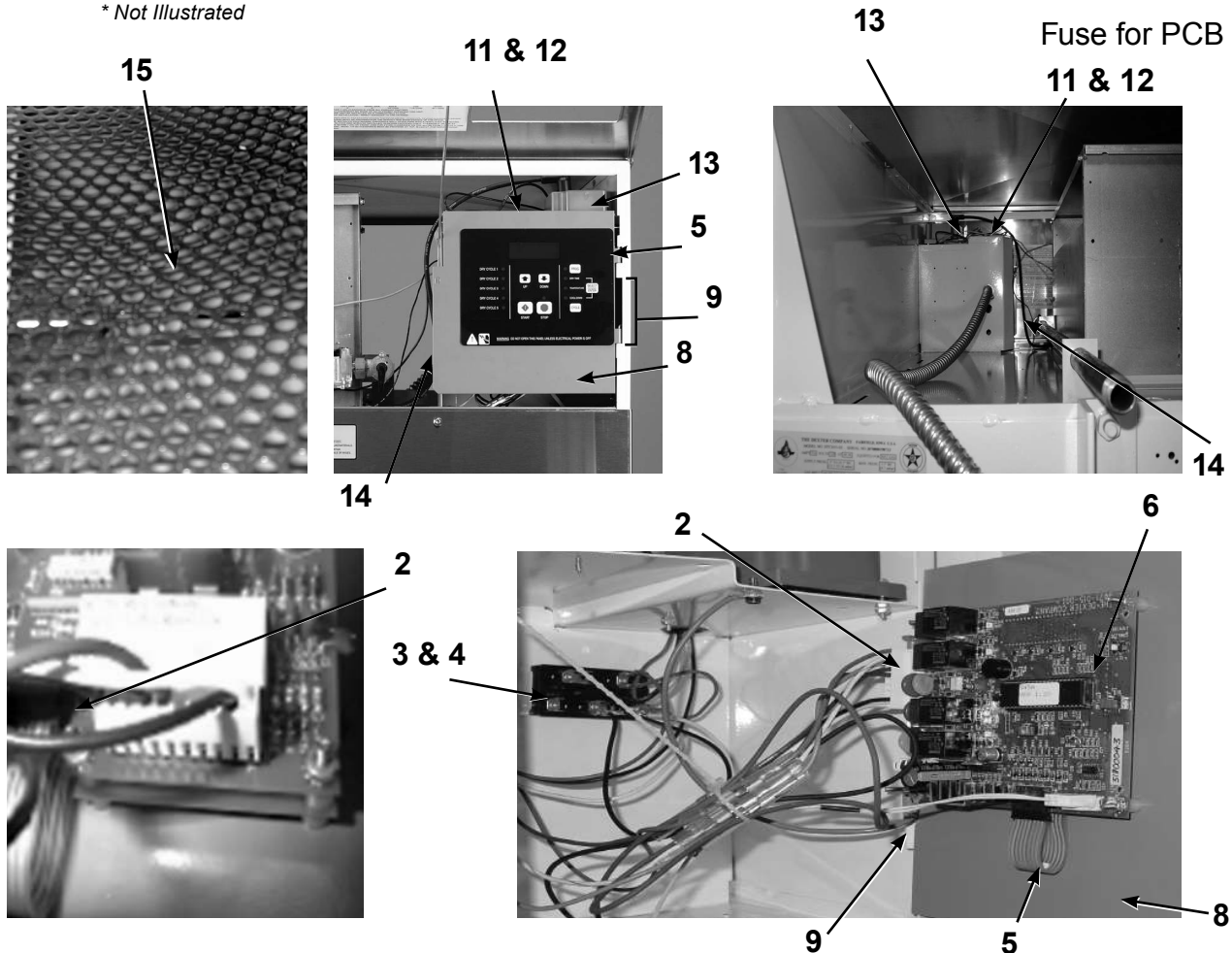
Key	Part Number	Description	Quantity
*	9277-051-001	Insulation Side Panels	6
*	9277-056-002	Insulation Front Panel Bottom	1
*	9277-056-001	Insulation Front Panel Top.....	1
*	8544-056-001	Leg, Leveling	4
*	9049-074-001	Baffle, Cabinet- Left Inside Cabinet.....	1
*	9049-074-002	Baffle, Cabinet- Right Inside Cabinet	1
*	9545-008-003	Screw, #10x1/2 TEK	8
21	9074-273-001	Cover, Cabinet.....	1
22	9545-008-024	Screw 10AB x 3/8".....	10
*	9277-050-002	Insulation Lower Service Door	1
*	9277-047-001	Insulation	1
*	9277-047-002	Insulation 1/4" black.....	1

* Not Illustrated

Front Control Housing Group

Key	Part Number	Description	Quantity
1	9857-136-002	Electronic Control PCB Assembly Complete	1
2	9627-770-001	Wiring Harness Micro.....	1
3	9897-026-001	Terminal Block Assembly	1
4	9545-031-004	Screw 6AB x 3/8" (for terminal block).....	2
5	9801-085-001	Membrane Switch Assembly.....	1
6	9732-249-001	Kit PCB Board Controller	1
8	9982-326-002	Plate Assembly, Control Mounting	1
9	9451-146-005	Pin- Hinge meterplate.....	2
11	9054-045-001	Fuseholder.....	1
12	8636-018-001	Fuse 1.5 amp.....	1
13	9857-116-003	Control, Ignition	1
14	9631-403-003	Wire Ass'y High Voltage (from ignition control).....	1
*	8636-024-001	Electronic Control PCB Fuse on PCB .600 MA/250V	1
15	9501-004-002	Temperature Sensor.....	1

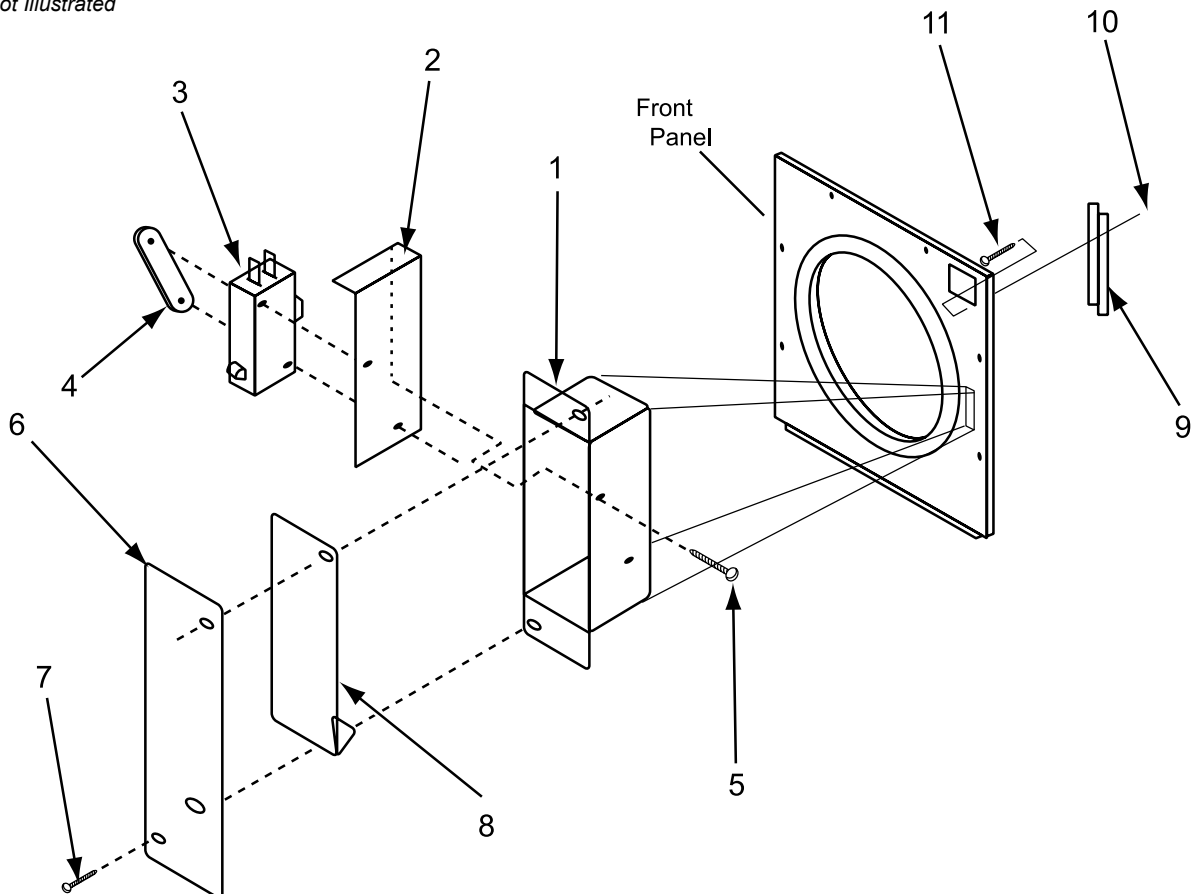
* Not Illustrated



Door Switch Group

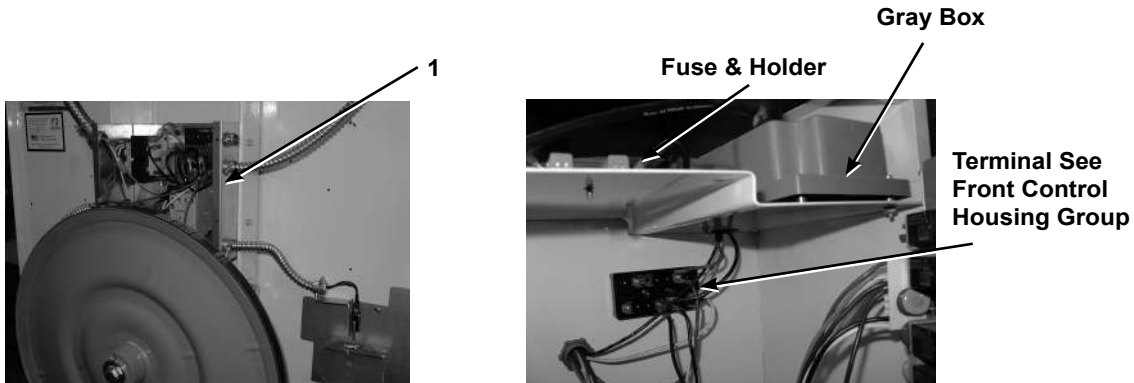
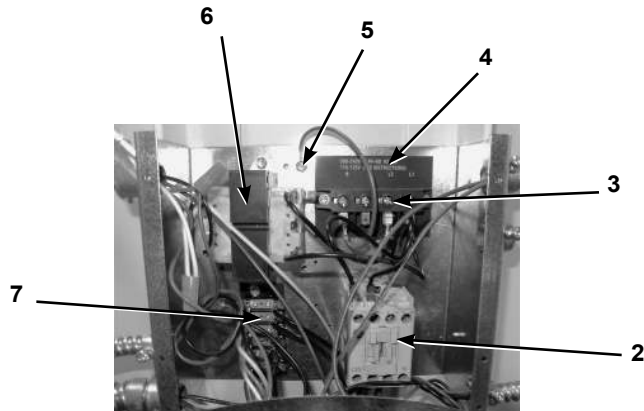
Key	Part Number	Description	Quantity
1	9041-076-001	Box, Door Switch	1
2	9550-159-001	Shield, Door Switch	1
3	9539-461-001	Switch, Door	1
4	8640-401-001	Nut, Special Twin #4-40	1
5	9545-020-001	Screw, Pn Hd Sl.#4-40x5/8	2
6	9074-255-001	Cover, Switch Box.....	1
7	9545-008-020	Screw, Box Cover 10 AB x 3/4"	2
8	9008-004-001	Actuator, Switch.....	1
*	8220-001-221	Door Switch Harness Wires, 45" (black)	1
*	8220-001-222	Door Switch Harness Wires, 45" (blue).....	1
9	6068-041-002	Conduit Special	1
10	9545-012-003	Screw. 10-32 x 1/2"	1
*	8641-436-000	Washer, Fiber	1
11	8640-413-004	Nut, ElasticStop 10 -32.....	1

* Not Illustrated



Rear Control Group

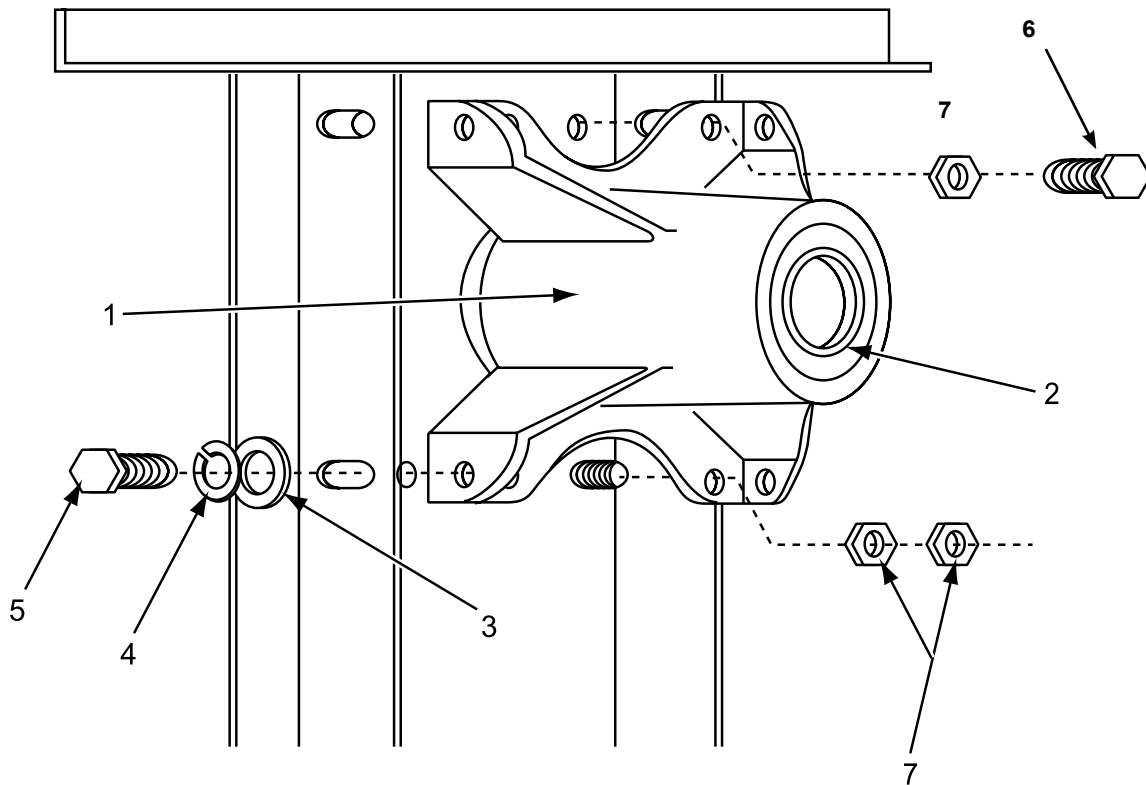
Key	Part Number	Description	
1	9041-081-001	Box , Control	1
*	9074-304-001	Cover, Control Box Upper	1
*	9545-008-024	Screw 10AB x 3/8"	4
2	5192-295-011	Relay (Large).....	1
*	9545-044-002	Screw, #8ABx 3/8.....	2
3	9897-035-002	(4 Pole) Terminal Block Assembly, Power.....	1
4	9558-029-003	Strip , Terminal Marker (4 Pole)	1
*	9545-045-002	Screw, #8ABx 3/8.....	2
*	8641-582-006	Lockwasher, Ex Tooth # 10	1
*	9074-305-001	Cover control box lower	1
5	8639-621-007	Screw #10-32 x 1/2 GRN	1
*	8640-411-003	Nut Hexkeys #6-32	2
6	8711-007-001	Transformer	1
*	9545-012-009	Screw--#10-32 x 1/2" Mount Transformer.....	2
*	8640-413-002	Nut Hexkeys #10-21 UNF Mount Transformer.....	2
*	8220-001-230	Wire Assembly Black/Red 8 1/2"	1
*	8220-001-231	Wire Assembly Black/Blue.....	1
*	8220-001-452	Wire Assembly White 12 1/4"	1
*	8220-001-478	Wire Assembly Green 7"	1
*	8220-067-001	Wire Assembly Black/Red 7 3/4"	1
*	8220-067-002	Wire Assembly Black/Blue 7 3/4"	1
7	9897-034-001	Terminal Block Assembly (6 pole).....	1
*	9558-027-001	Strip Terminal Marker (6 pole).....	1
*	8220-001-230	Wire Assembly Black/Red 8 1/2" Jumper	1



Bearing Housing Group

Key	Part Number	Description	
*	9803-189-001	Housing, Bearing Ass'y w one(rear) bearing	1
1	9241-183-003	Housing, Bearing	1
2	9036-159-001	Bearing, Ball-Rear.....	1
*	9036-159-002	Bearing, Ball-Front	1
3	8641-581-026	Washer, Flat 1/2"	4
4	8641-582-004	Lockwasher spring 1/2"	4
5	9545-017-004	Bolt, 1/2-13x1.....	4
6	9545-059-003	Screw, 7/16-14x1 1/2	2
*	8641-582-013	Lockwasher, 7/16	2
7	8640-416-001	Nut, 7/16-14.	4
*	9487-234-001	Ring, Tolerance	1

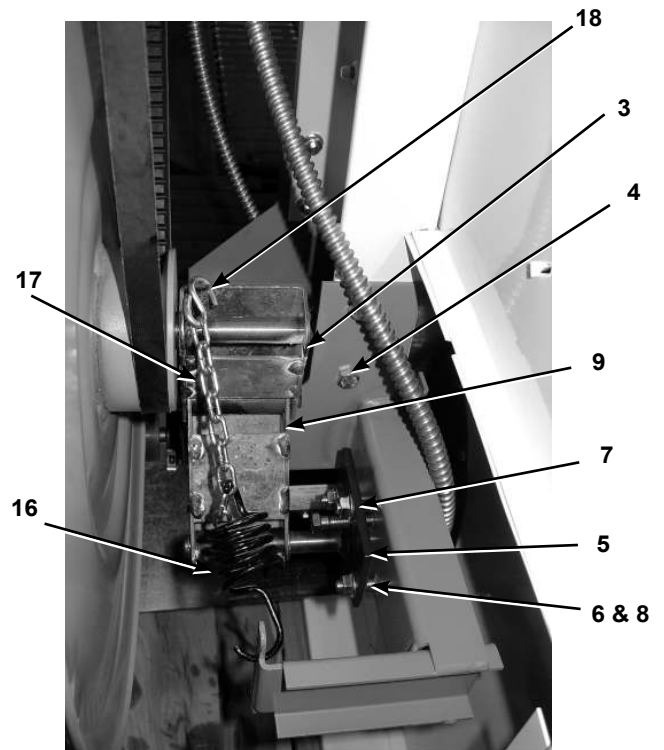
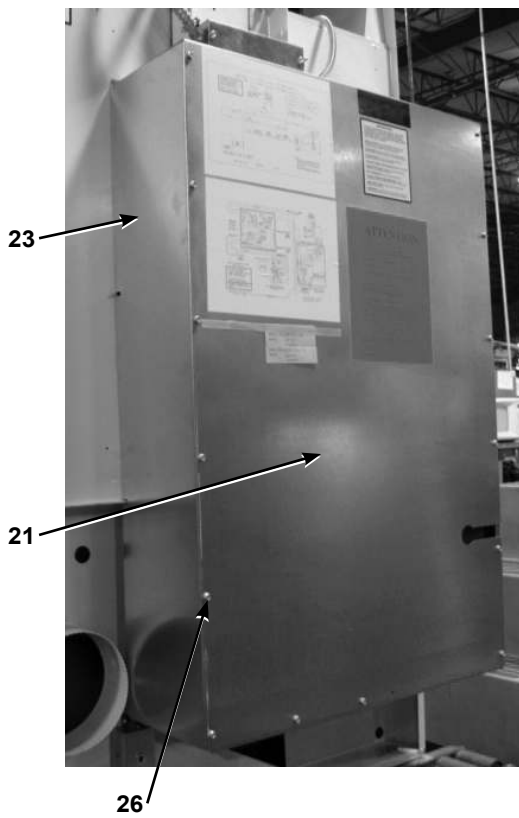
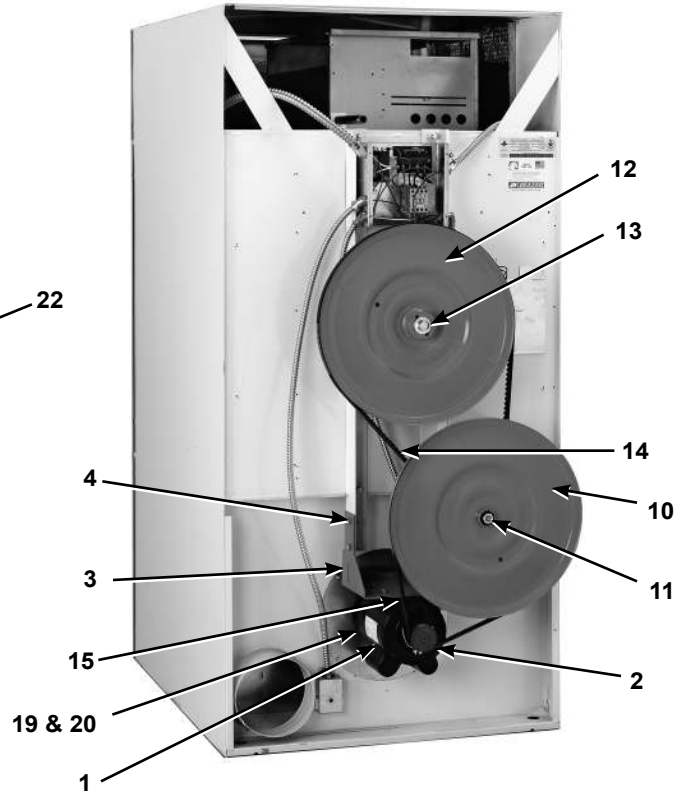
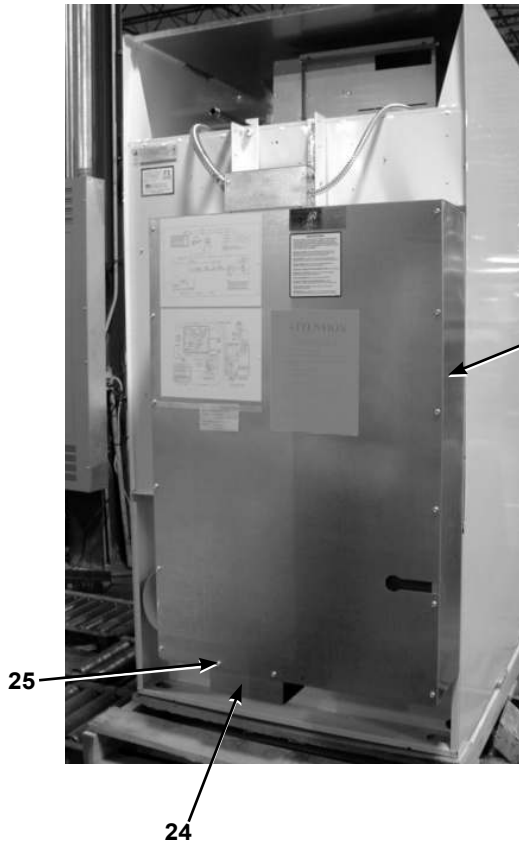
* Not Illustrated



Drive Group

Key	Part Number	Description	Quantity
1	9376-299-002	Motor, Drive.....	1
*	9545-014-004	Screw, Hx 5/16-18 x 5/8".....	4
*	8640-400-003	Nut 5/16-18.....	4
2	9453-157-001	Pulley, Motor.....	1
*	9545-028-013	Screw, Set.....	2
3	9991-054-002	Support Assembly, Motor.....	1
4	9545-029-005	Screw 3/8-16 x 1 1/4".....	4
4	8640-415-004	Nut 3/8-16.....	4
5	9991-053-001	Support Assembly, Intermed. Pulley.....	1
6	9545-029-010	Bolt, Rd Hd, 3/8-16 x 1 1/4".....	3
7	9545-029-003	Screw, 3/8-16 x 1 1/2".....	1
8	8640-415-004	Nut 3/8-16.....	3
*	8641-581-035	Washer, Flat.....	4
9	9861-024-003	Arm Assembly-Tension.....	1
*	8641-581-035	Washer, Flat.....	1
*	9487-200-006	Ring-Retaining.....	1
10	9908-042-006	Pulley Assembly, Intermediate - w/bearings.....	1
11	9036-159-007	Bearing, Ball-Idler Pulley.....	2
*	9538-173-002	Spacer, Bearing.....	1
12	9908-043-002	Pulley Driven.....	1
*	9487-234-001	Ring, Tolerance.....	1
13	8641-581-026	Washer, Flat.....	1
13	8641-582-016	Lockwasher.....	1
13	9545-017-009	Screw, Hx Cap.....	1
14	9040-077-004	Belt, Final Drive.....	1
15	9040-077-003	Belt, Motor Drive.....	1
16	9534-151-000	Spring, Belt Tension.....	1
17	9099-012-002	Chain, Spring Tension.....	1
18	9248-022-002	Hook, Tension.....	1
21	9208-067-001	Guard, Drive.....	1
22	9454-685-001	Panel, Drive Guard, RH.....	1
23	9454-686-001	Panel, Drive Guard, LH.....	1
24	9550-175-001	Shield, Motor.....	1
25	9545-008-003	Screw.....	2
26	9545-008-024	Screw (to attach to guards above).....	24
19	9074-275-004	Blower Impeller Cover (flat).....	1
20	9074-275-005	Blower Impeller Cover (formed).....	1

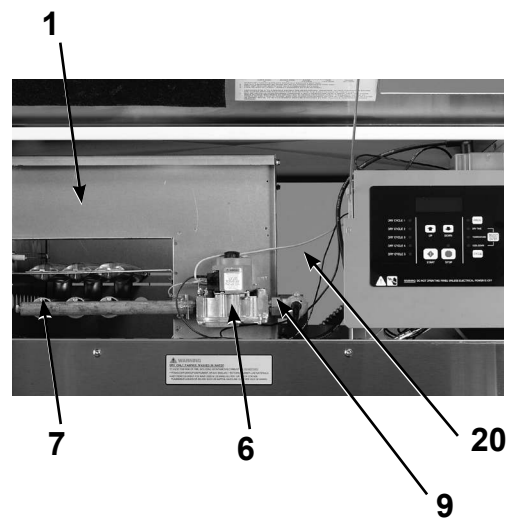
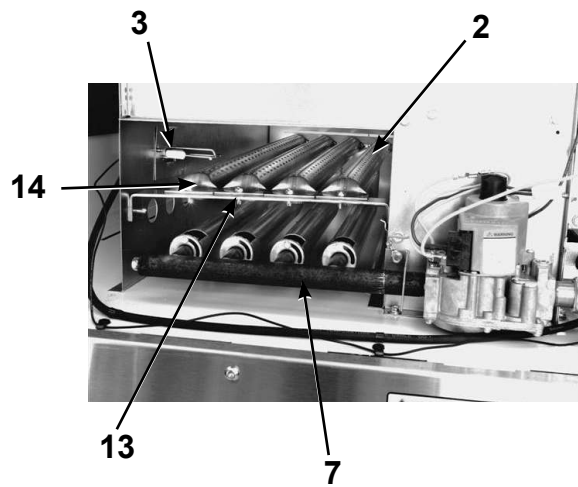
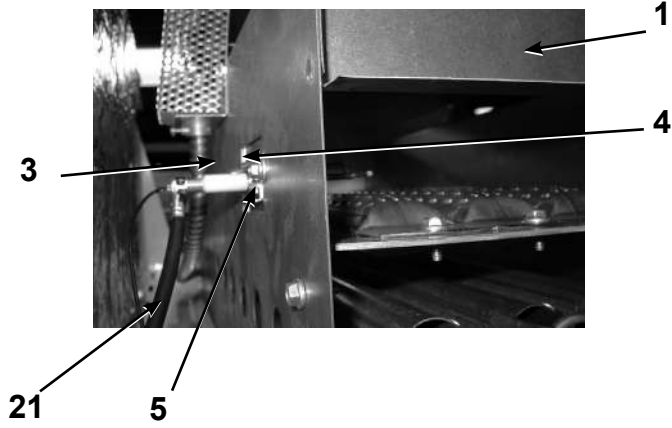
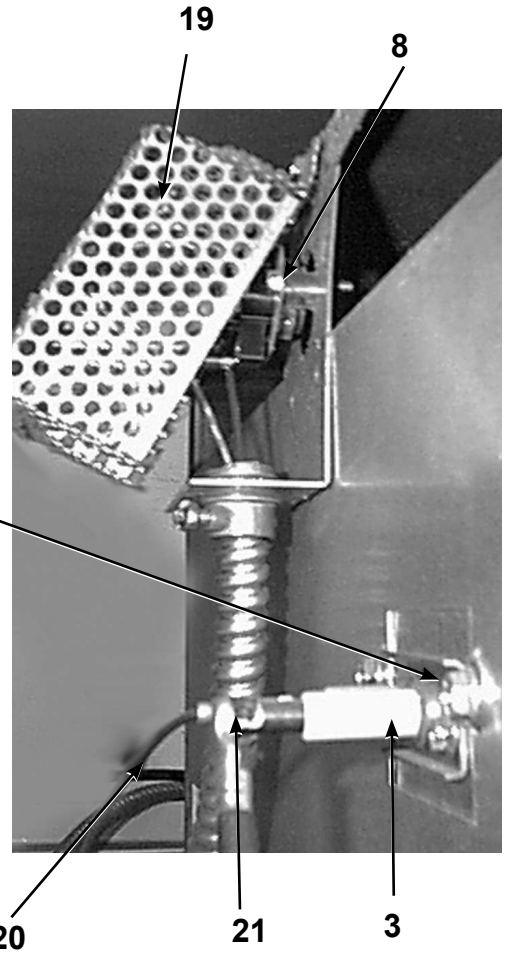
* Not Illustrated



Burner Housing Group

Key	Part Number	Description	
1	9803-195-001	Housing Assembly, Burner.....	1
*	9545-008-024	Screw	4
2	9048-018-001	Burner, Main.....	4
*	9545-008-008	Screw 10T-32 x 1/2	4
3	9875-002-002	Electrode, Ignition	1
4	9452-645-001	Plate, Electrode Mtg.....	1
5	9545-045-001	Screw, Electrode Mtg 8B x 11/4".....	2
6	9857-134-002	Control Assy, Gas	1
7	9381-011-001	Manifold, Assy 4 port	1
*	9425-069-021	Orifice, Burner-Natural	4
*	9425-069-022	Orifice, Burner-LP	4
8	9576-203-002	Thermostat, Hi-Limit	1
*	9538-142-001	Spacer, Hi-Limit.....	2
*	9545-045-007	Screw 8B x 3/4".....	2
19	9074-234-001	Cover, Hi-Limit Stat	1
*	9545-008-024	Screw 10 B x 3/8".....	1
*	9857-116-003	Control, Ignition (Gray Box).....	1
*	9545-044-002	Screw 6-32 x 1".....	2
*	8640-411-003	Nut, Hex Keps #6-32.....	2
*	9897-026-001	Terminal Block Power (Inside Control Panel).....	1
*	9545-031-004	Screw 6 AB x 5/8"	2
*	9039-915-001	BRACKET, Pipe gas line.....	1
*	9545-008-003	Screw 6AB x 5/8"	2
21	9631-403-003	Wire Ass'y, High Voltage.....	1
20	9627-711-001	Harness, Low Voltage Ignition	1
*	9054-045-001	Fuseholder	1
*	8636-018-001	Fuse 1.5 amps.....	1
*	8711-007-001	Transformer, Control (In rear control box).....	1
*	9545-008-026	Screw, #10x1/2"	2
*	9732-102-010	Kit, LP Conversion 4 Burner	1
13	9548-280-001	Support, Front Burner	1
14	9545-008-008	Screw 10T-32 x 1/2"	1
*	9454-731-001	Left side burner housing	1
*	9454-730-001	Right side burner housing	1
9	9379-164-002	Valve, Gas Shut-Off w/ brass union.....	1
*	9458-020-003	Pipe, Gas Line.....	1
*	9454-737-001	Front Side Burner Housing.....	1

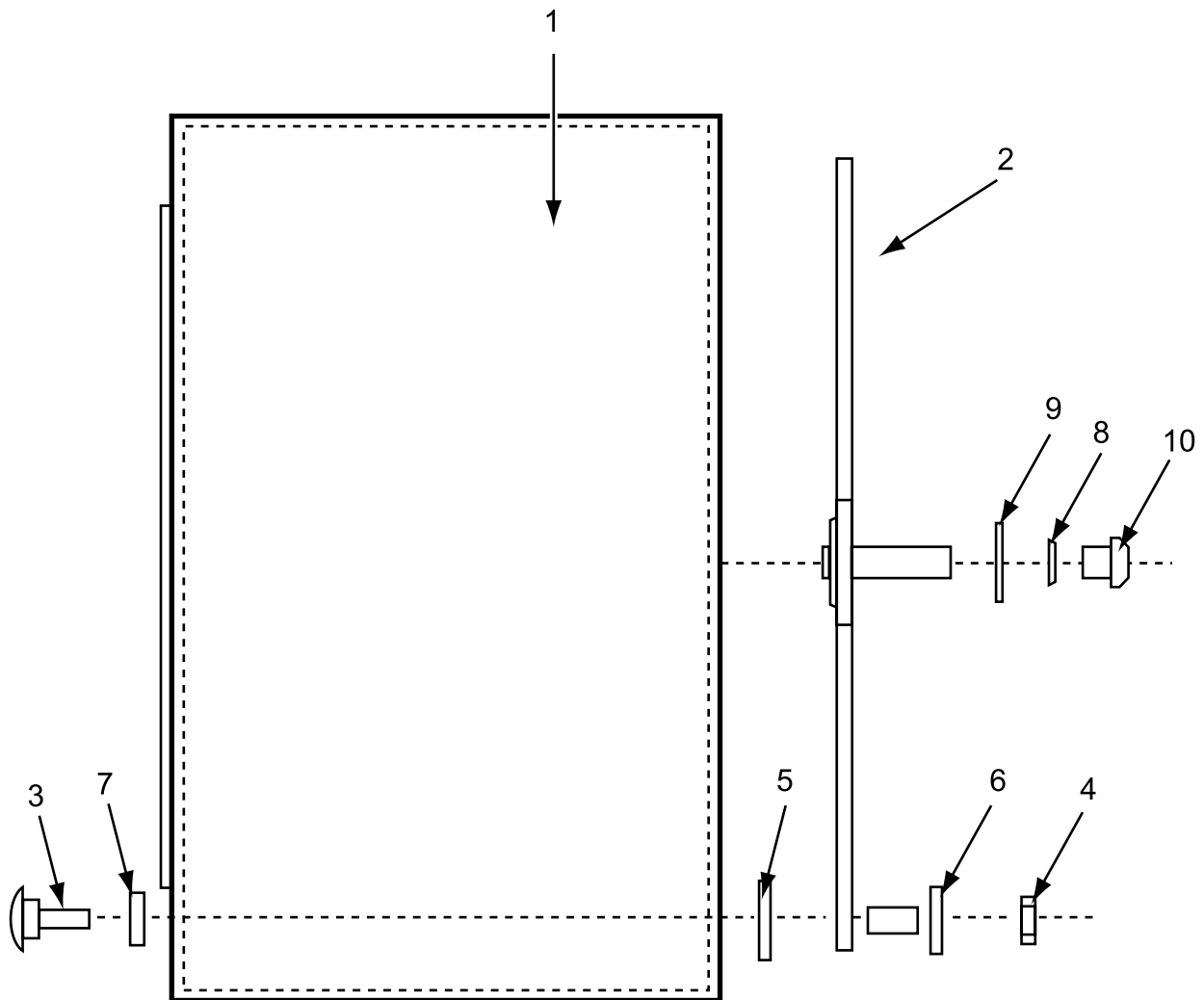
* Not Illustrated

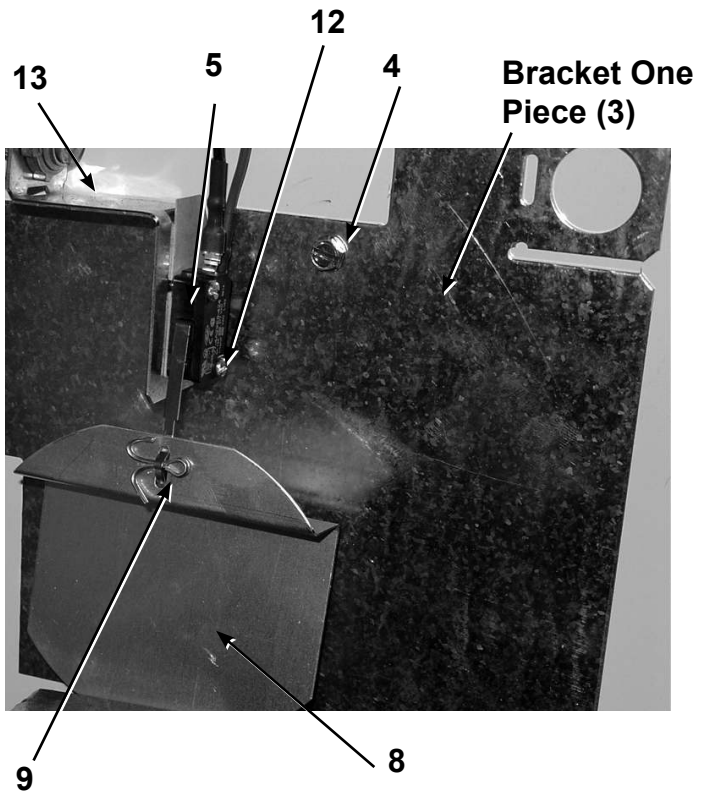
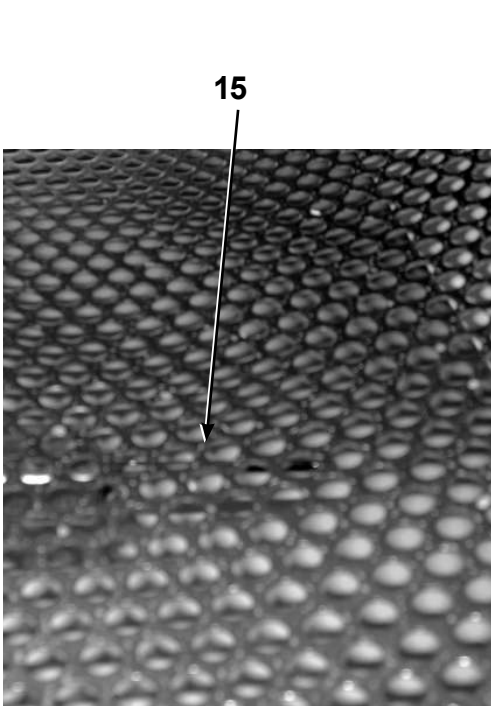
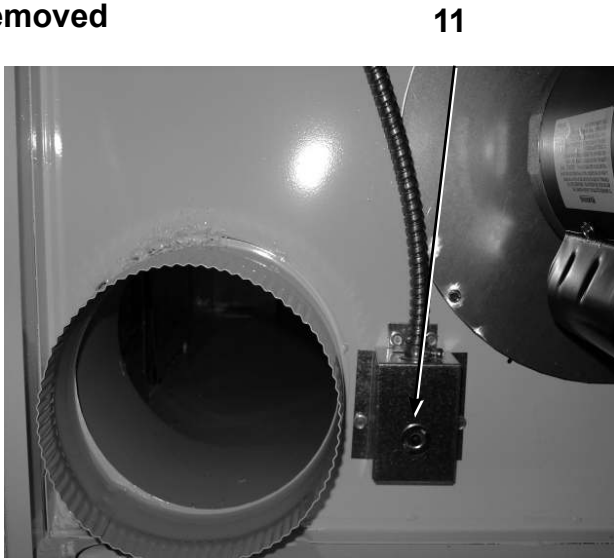
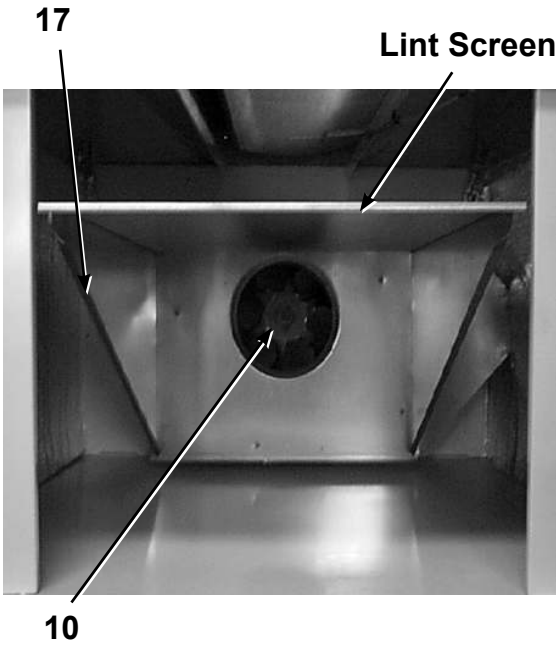


Tumbler Basket Group

Key	Part Number	Description	
1	9848-133-001	Tumbler Assembly	1
2	9873-005-001	Spider Assembly with bearing on	1
3	9497-226-001	Rod, Tumbler.....	4
4	8640-417-005	Nut 1/2"-13.....	4
5	9552-013-000	Shim	4
7	8641-590-001	Washer, Tumbler Rod Special.....	4
*	9487-234-001	Ring, Tolerance	1
8	8641-582-016	Lock Washer ext tooth 1/2", Tumbler Shaft.....	1
9	8641-581-026	Flat Washer 1/2",Tumbler Shaft.....	1
10	9545-017-009	Screw, Tumbler Shaft 1/2-13 x 11/4".....	1
*	9848-118-002	Tumbler Ass'y SS	1

* Not Illustrated

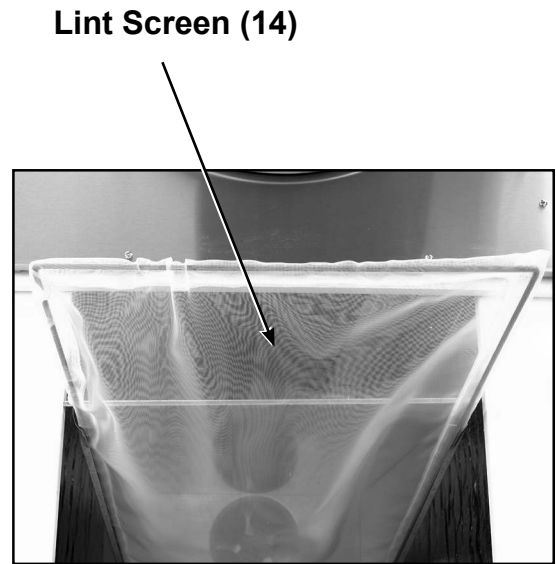




Blower Impeller and Air Flow Switch Group and Over Temperature Switch

Key	Part Number	Description	Quantity
3	9029-135-001	Bracket -Switch One Piece	1
4	9545-008-024	Screw-10B x 1/4	2
5	9539-461-009	Switch-Micro	1
12	9545-020-001	Screw 4-40 x 5/8	2
*	8640-401-001	Nut Twin	1
8	9008-007-001	Actuator-Switch	1
9	9451-169-002	Pin Cotter	1
13	9039-575-000	Bracket Conduit.....	1
11	9825-057-002	Over-temp cover ass'y	1
*	9576-207-006	Thermostatover-tempMnl.	1
*	9545-008-024	Screw 10B x 3/8	2
*	9550-169-003	Shield for macro switch.....	1
17	9834-009-001	Hood Assembly, Lint	1
*	8640-412-004	Nut, Whizlock	6
14	9822-031-002	Lint Screen 34" length (newest style).....	1
10	9278-037-003	Impeller, w/set screws	1
15	9501-004-002	Temperature Sensor Probe.....	1

* Not Illustrated



17

Lint Screen (14)

Wires & Harness Group

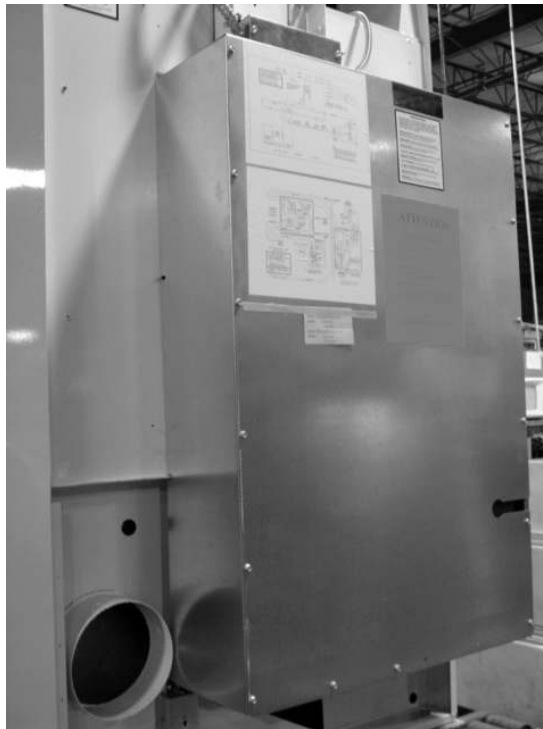
Key	Part Number	Description	
*	8220-001-486	BRN 26"	1
*	8220-001-499	BLK 26"	1
*	8220-101-002	BLK 64"	1
*	8220-101-007	Wire Assembly VIO 54"	1
*	8220-101-004	Wire Assembly BRN 54"	1
*	2114-008-000	Bushing Anti Short	1
*	8220-001-221	Door Switch Wire Assembly BLK 45"	1
*	8220-001-222	Door Switch Wire Assembly BLU 45"	1
*	8220-001-461	Wire Assembly WHT 58"	1
*	8220-062-007	Wire Assembly BLK 74"	1
*	8220-064-001	Wire Assembly GRY 61"	1
*	8220-064-012	Wire Assembly RED 61"	1
*	8220-065-021	Wire Assembly VIO 61"	1
*	8640-276-003	Wire Nut #73 B ORG.....	1
*	8220-103-003	Wire Assembly GRY 64"	1
*	8220-001-230	Wire Assembly BLK/RED 8.5"	1
*	8220-001-231	Wire Assembly BLK/BLU 6.5"	1
*	8220-001-452	Wire Assembly WHT 12" - 4"	1
*	8220-001-478	Wire Assembly GRN 7"	1
*	8220-067-001	Wire Assembly BLK/RED 7 3/4"	1
*	8220-067-002	Wire Assembly BLK/BLU 7 3/4"	1
*	8220-001-466	Wire Assembly Yellow 4 7/8"	1
*	9627-711-001	Low Voltage Harness	1
*	9637-403-003	High Voltage Harness	1
*	8220-001-290	Wire Assembly BLK 20"	1
*	9627-679-002	Wire Harness Heat Sensor	1

Label Group

Key	Part Number	Description	
*	8507-256-001	Instructions Uncrating	1
*	8514-072-001	Owners Booklet.....	1
*	8507-350-001	Instructions Dry Install / Start-Up.....	1
*	8507-330-001	Instructions TVSS	1
*	9345-899-001	Wiring Schematic	1
*	9345-890-001	Wiring Diagram	1
*	8511-001-002	Label Quality	1
*	8502-658-001	Label Fire Hazard	1
*	8527-115-001	Label Decal Lighting and Clearance	1
*	8502-645-001	Label Instructions	1
*	8502-600-001	Label Warning and Notice.....	1

Rear Guard Group

Key	Part Number	Description	
1	9208-067-001	Drive Guard.....	1
2	9454-685-001	Right Side Panel Drive Guard.....	1
3	9454-686-001	Left Side Panel Drive Guard	1
4	9550-175-001	Motor Shield.....	1
5	9545-008-003	Screw 10-16 x 1/2 TEK.....	16
6	9545-008-024	Screw 10 B x 1/4	7



Electric Heated Dryers Electrical Parts All Types of KW

DCTD80 HC _ 16 FH 208/60/3 35KW

Key	Part Number	Description	
*	5192-294-001	Relay - 125A.....	1
*	9377-003-001	Variator Coil Supply	1
*	5198-213-005	Circuit Breaker 3 Pole	2
*	8220-057-014	Wire Assembly Blk	3
*	9345-917-001	Schematic	1
*	9345-918-001	Diagram.....	1
*	9870-088-006	Heater Elements	2
*	5192-295-011	Relay	1
*	8502-711-001	Warning Label 208V.....	1
*	8220-057-004	Wire Brown 30"	1
*	8220-057-007	Wire White/Black 45"	1
*	8220-057-008	Wire Black 45".....	1
*	8220-057-011	Wire Violet 32"	1
*	8220-057-015	Wire Black 8".....	6
*	8220-057-019	Wire White 8".....	1
*	8220-061-008	Wire Black 36".....	4
*	8220-061-010	Wire Black 48".....	2
*	8220-078-008	Wire Black 9".....	2
*	8220-078-011	Wire White 45"	1
*	8220-078-012	Wire Red 45".....	1
*	8502-614-004	Label High Voltage.....	1
*	8502-708-001	Label Exhaust Warning.....	1
*	8514-092-001	Owners Book	1
*	9029-127-001	Guard Bracket Mounting	1
*	9208-053-001	Guard Front Cabinet Cover	1
*	9208-056-001	Guard Rear Cabinet Cover	1
*	9074-289-001	Cover Plate Control Box.....	1
*	9210-117-001	Gussett Control Box.....	1
*	9548-282-001	Support Wire	2
*	9074-288-001	Cover Plater Heater.....	1
*	9636-151-001	Wrapper Heat Housing LH.....	1
*	9636-152-001	Wrapper Heat Housing RH	1
*	9550-181-001	Shield Side Heathousing.....	2
*	9577-056-001	Top Heater Housing Half.....	2
*	9053-067-004	Bushing Insulated 1"	6
*	9577-057-001	Top Box Control	1
*	9636-153-001	Wrapper Box Control.....	1
*	9058-025-001	Bottom Box Control.....	1
*	9053-067-004	Bottom Bushing Insulated	2
*	9295-004-001	Formed Jumper.....	2
*	9295-005-001	Straight Jumper.....	4
*	9488-010-003	Din Rail 4 3/4"	1
*	9897-037-001	Power Block 3 Pole	1
*	9897-038-001	Power Block 1 Pole	1
*	9209-087-001	Grommet	1
*	8640-399-004	Nut Spring	1
*	8640-399-009	Nut Spring U Type	4
*	8502-639-001	Label Warning.....	1
*	8502-702-001	Label Warning Fire Hazard (French).....	1
*	8652-134-002	Terminal Lug Solderless	1

Electric Heated Parts Model Specific

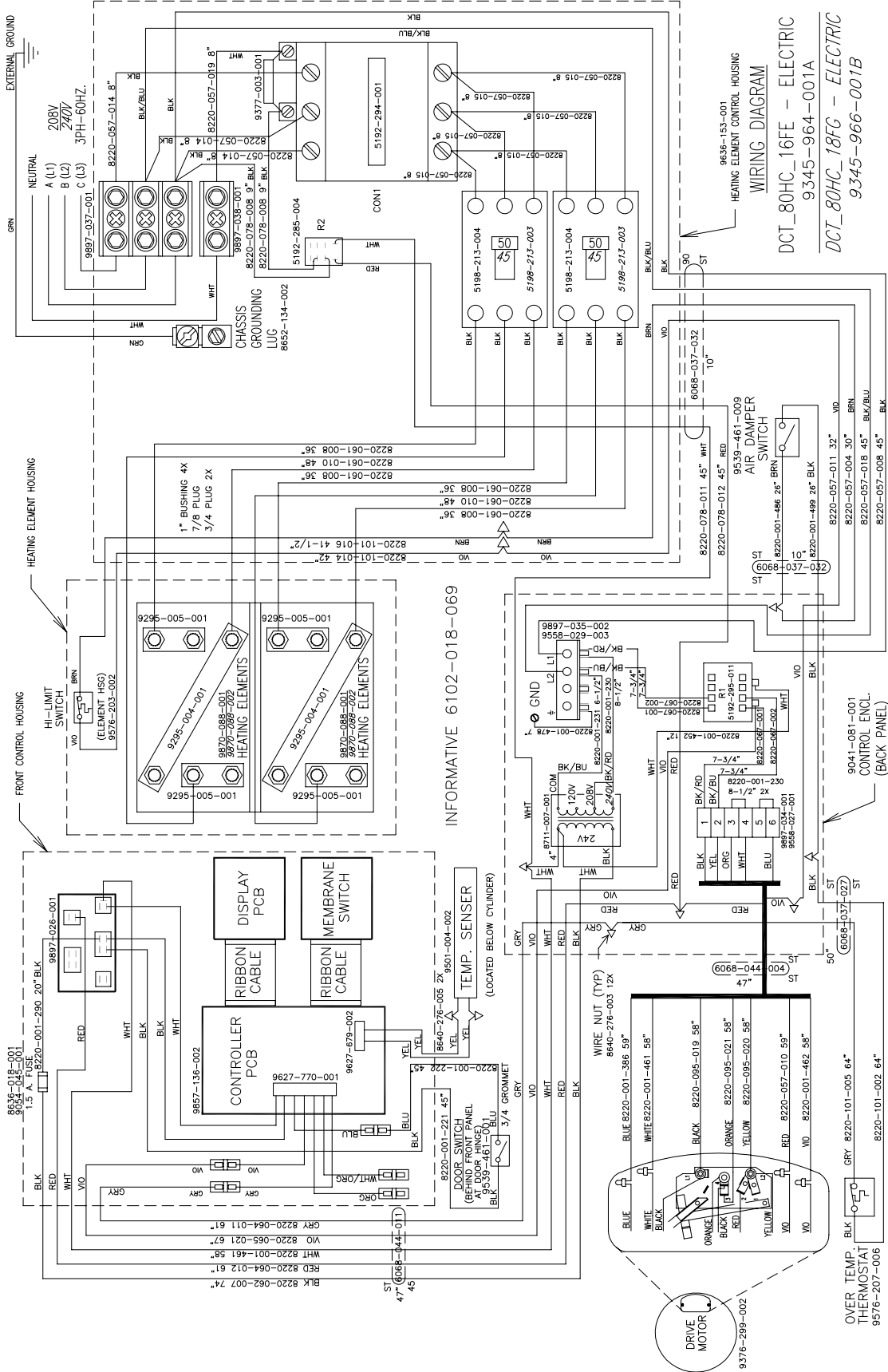
DCTD 80H_ _ 18 FG 240/60/3 30 KW

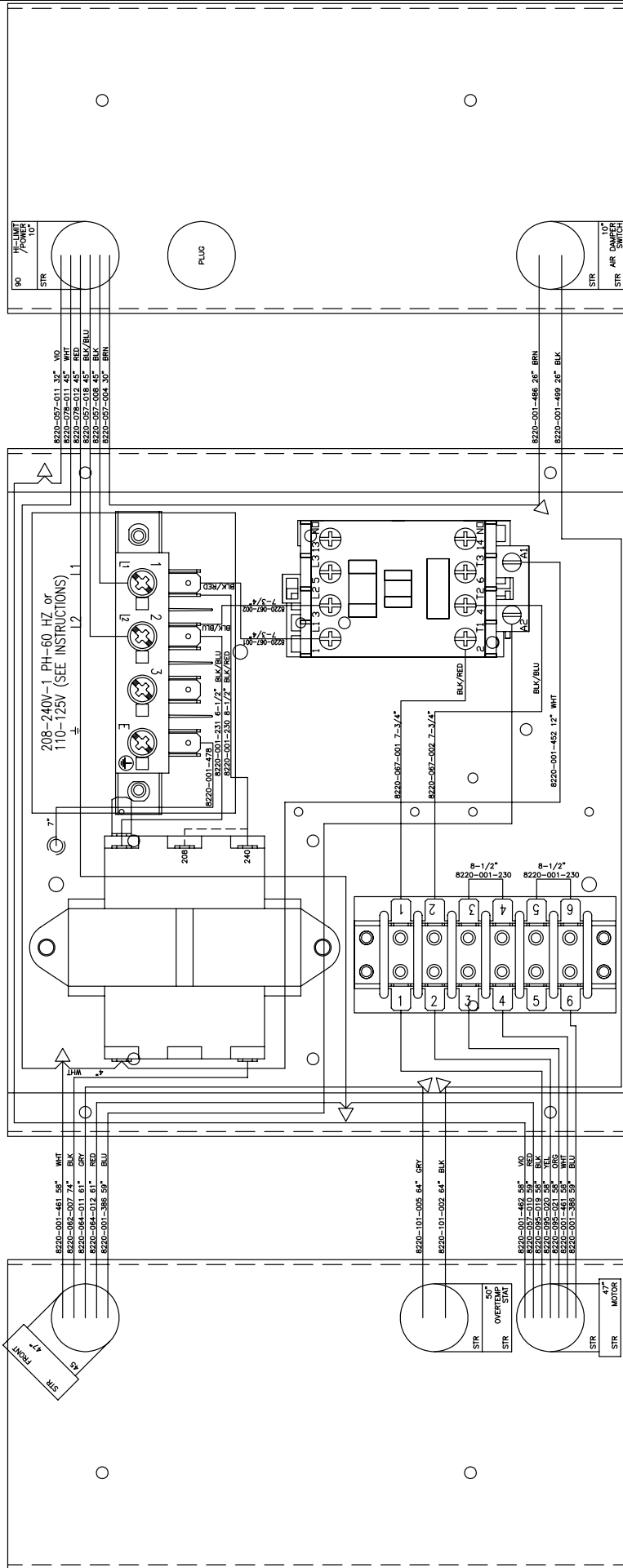
Key	Part Number	Description	
*	5198-213-003	Circuit Breaker 3 Pole	2
*	5192-285-004	Relay	1
*	9870-088-002	Heater Elements	2
*	9345-965-001	Schematic	1
*	9345-966-001	Diagram.....	1
*	8220-057-014	Wire Black 8".....	1
*	5192-294-001	Relay 125A.....	1

DCTD 80H_ _ 16 FE 208/60/3 30 KW

Key	Part Number	Description	
*	9345-963-001	Schematic	1
*	9345-964-001	Diagram.....	1
*	5198-213-004	Circuit Breaker 3 Pole	2
*	5192-285-004	Relay	1
*	5192-294-001	Relay 125 amp Resistive Contact	1
*	9870-088-001	Heater Elements	2
*	8220-057-014	Wire Black 8'	1

Section 7: Electric Heated Wiring Diagrams & Informatives





9041-081-001J

INFORMATIVE 6102-018-079

SAMPLE BOX

DCT_80HC_1(6,8)F(E,G,H) – ELECTRIC

9041-081-001J

INFORMATIVE 6102-018-079

SAMPLE BOX

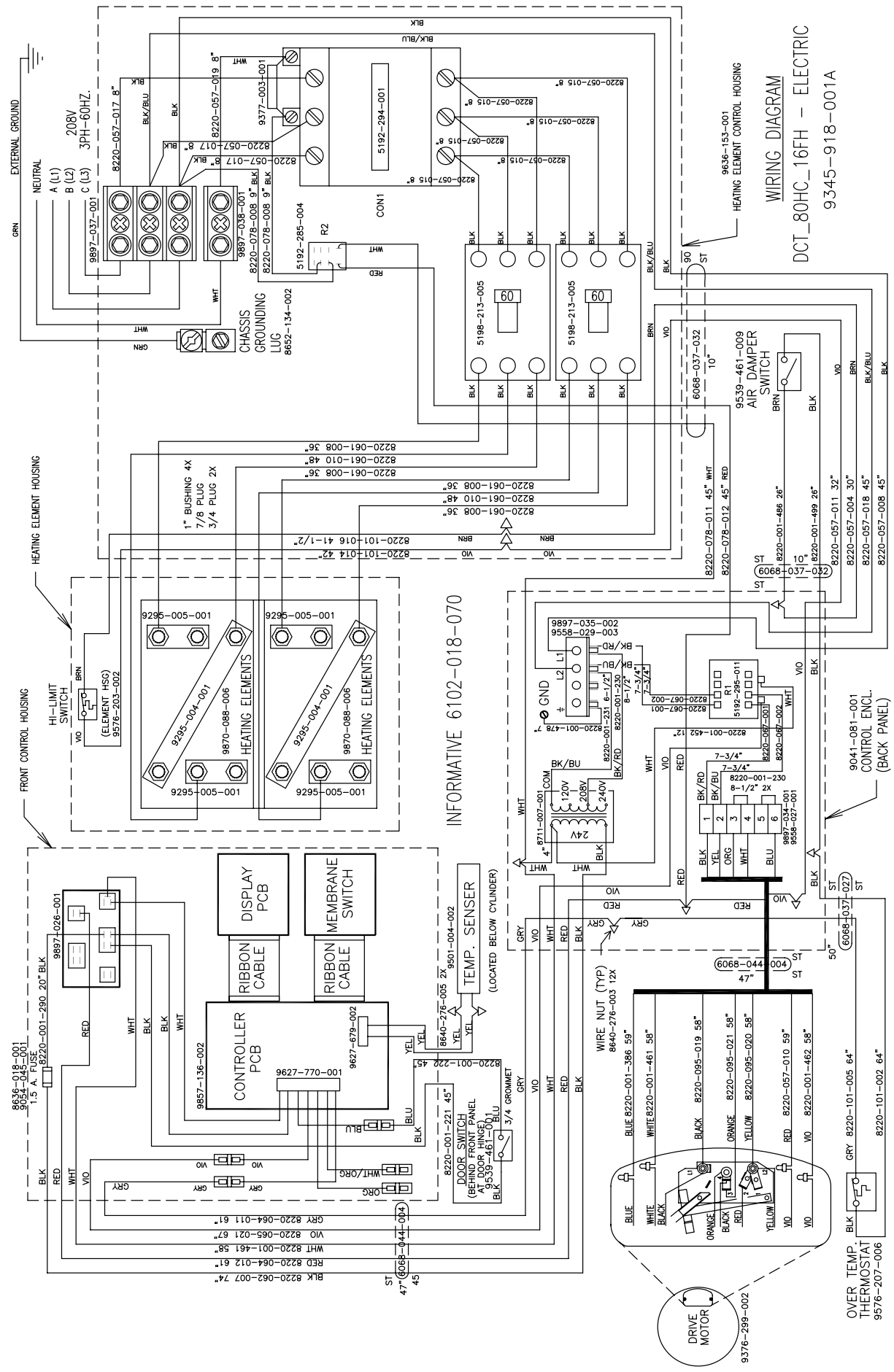
DCT_80HC_1(6,8)F(E,G,H) – ELECTRIC

9041-081-001J

INFORMATIVE 6102-018-079

SAMPLE BOX

DCT_80HC_1(6,8)F(E,G,H) – ELECTRIC



OVER TEMP. THERMOSTAT 9576-207-006

9041-081-001 CONTROL ENCL. (BACK PANEL)

9539-461-009 AIR DAMPER SWITCH

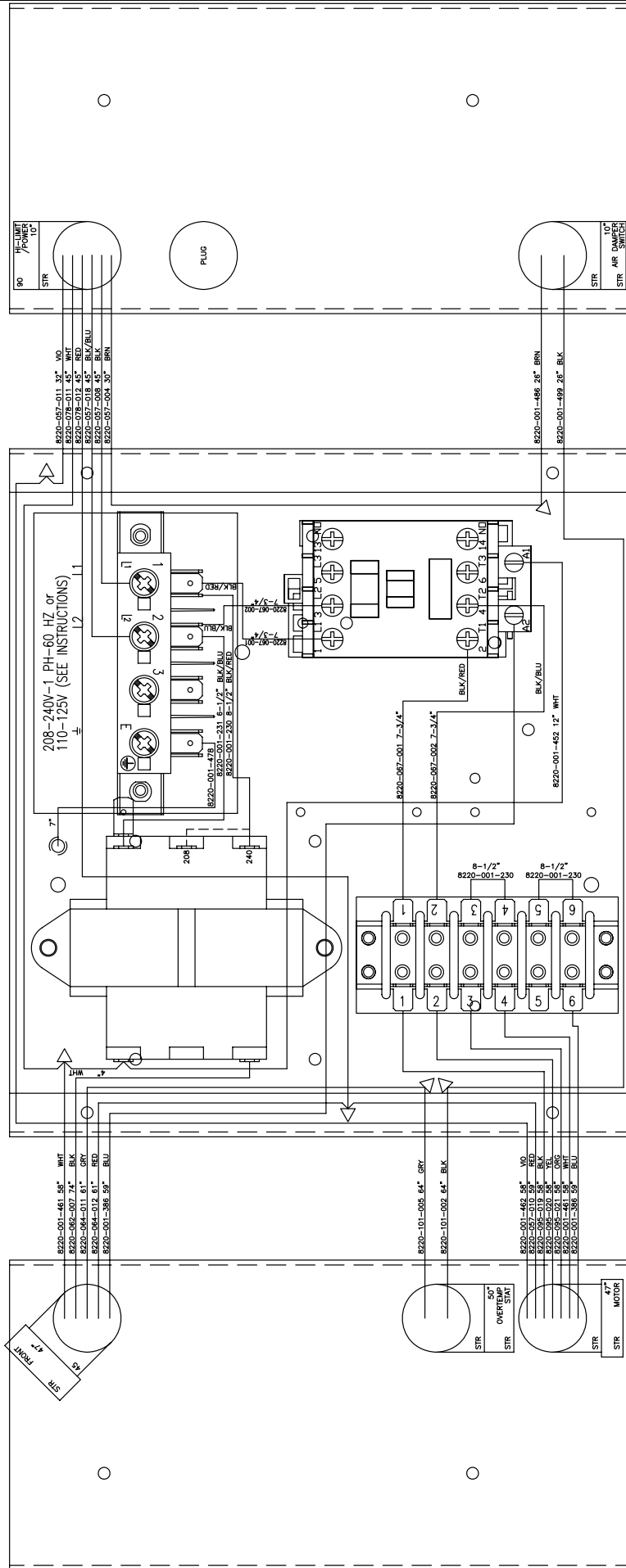
9636-153-001 HEATING ELEMENT CONTROL HOUSING

INFORMATIVE 6102-018-070

WIRING DIAGRAM

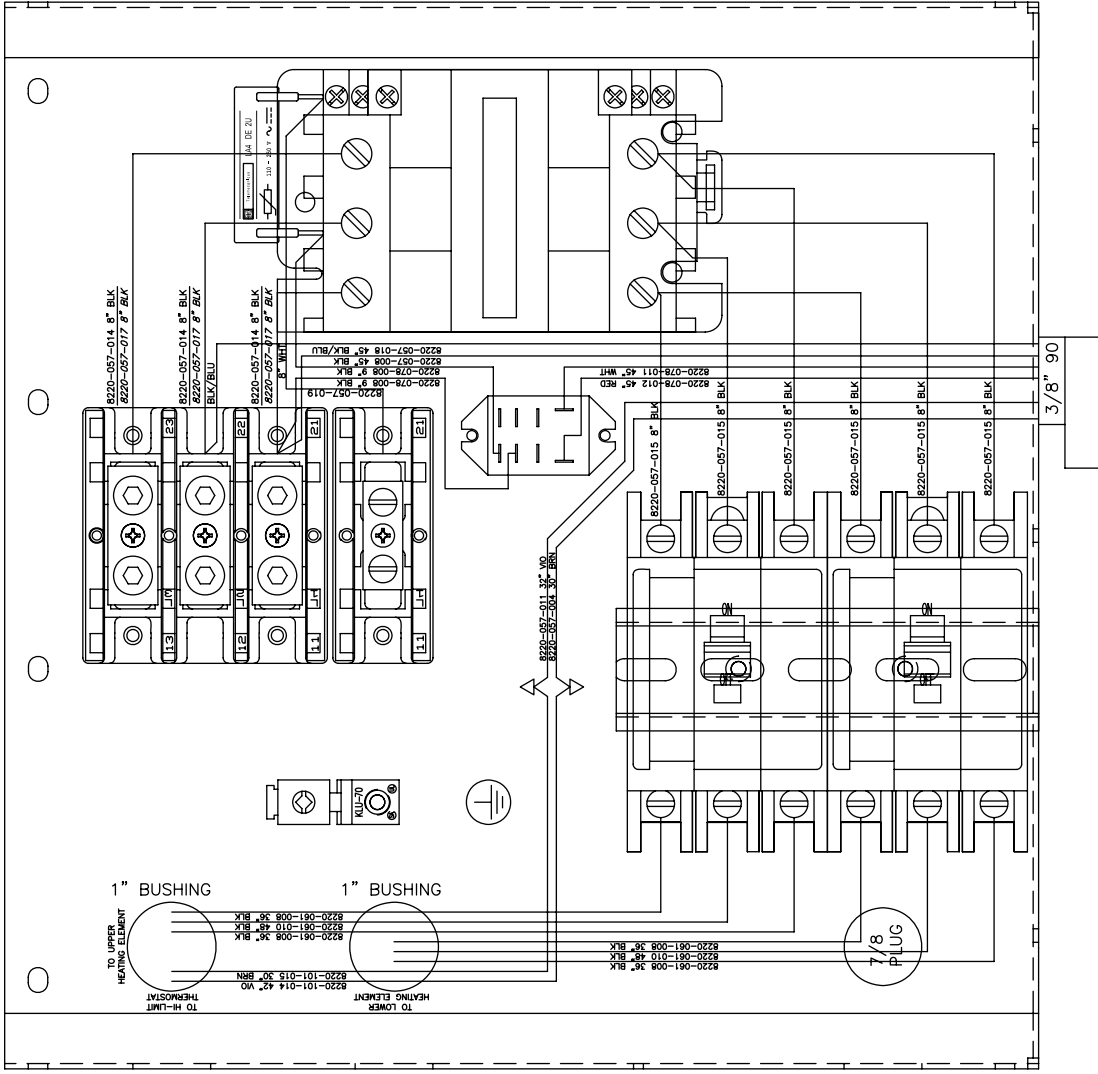
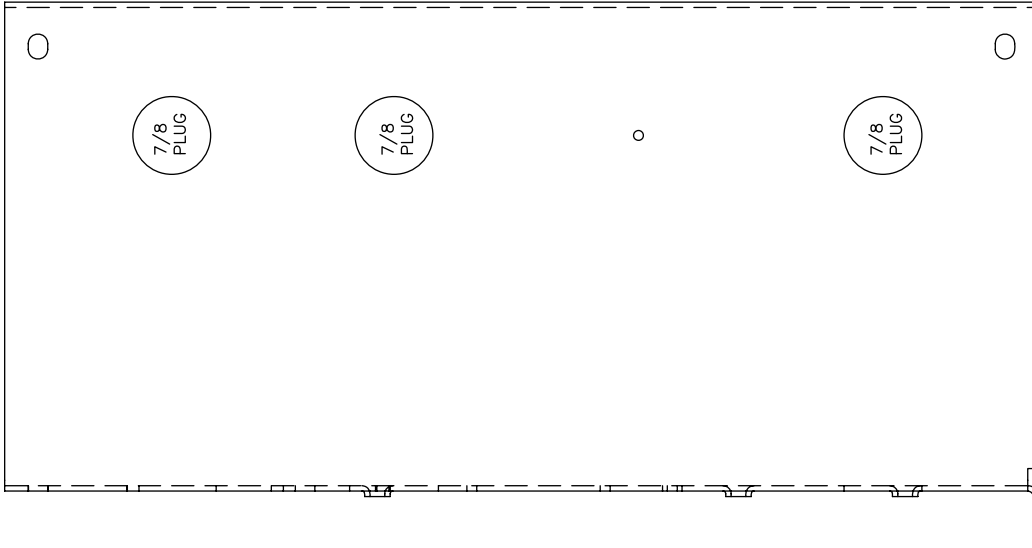
DCT_80HC_16FH - ELECTRIC

9345-918-001A



INFORMATIVE 6102-018-079

9041-081-001J SAMPLE BOX DCT_80HC_1(6,8)F(E,G,H) - ELECTRIC



INFORMATIVE 6102-018-080

DCT_80HC_1(6,8)F(E,G) - ELECTRIC

9636-153-001B ELECTRIC BOX

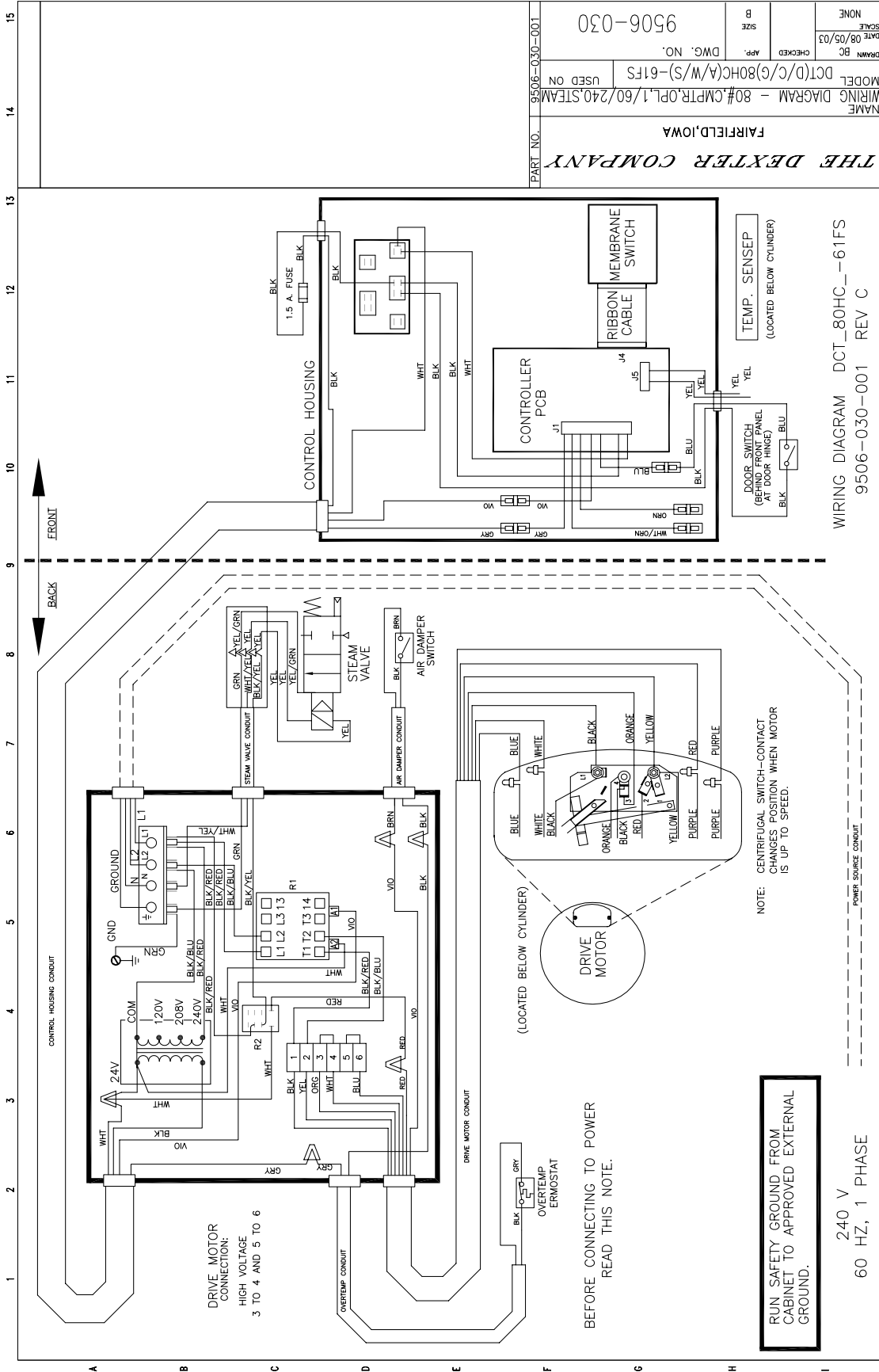
DCT_80HC_18FH - ELECTRIC

Section 8: **Steam Parts & Wiring Information**

Steam Heated Parts Model Specific

Key	Part Number	Description	
*	9799-021-001	Steam PCB Assembly Micro.....	1
*	9805-031-001	Lint Screen Assembly Intake.....	1
*	9506-025-001	Wire Diagram For 10 FS Model	1
*	9506-026-001	Wire Schematic For 10 FS Model	1
*	9486-154-001	Retainer Lint Screen Intake.....	1
*	9488-012-001	Rail Lint Screen Intake	1
*	9379-193-002	Steam Valve Solenoid	1
*	9242-465-001	Braided Steam Hose Stainless	2
*	9181-031-001	Frame Lint Screen Intake	1
*	9089-049-001	Coil Steam Heating	1
*	8514-137-001	Owners Manual.....	1
*	8502-717-001	Label Lint Screen	1
*	8220-078-017	Wire Assembly White 7".....	1
*	8220-078-016	Wire Assembly Red 7"	1
*	8220-075-015	Wire Assembly Black/Yellow 40"	1
*	8220-067-002	Wire Assembly Black/Blue 7 3/4".....	2
*	8220-064-039	Wire Assembly White Yellow 40"	1
*	8220-064-037	Wire Assembly Green 40".....	1
*	8220-063-010	Wire Assembly Black/Red 7"	1
*	5192-285-004	Relay (clear)	1
*	5192-295-011	Relay (large).....	1
*	9506-027-001	Wire Schematic for 60FS Model	1
*	9506-028-001	Wire Diagram for 60FS Model	1
*	9506-029-001	Wire Schematic for 61FS Model	1
*	9506-030-001	Wire Diagram for 61FS Model.....	1

Steam Wire Diagram 240 Volt



DRIVE MOTOR CONNECTION:
HIGH VOLTAGE
3 TO 4 AND 5 TO 6

BEFORE CONNECTING TO POWER
READ THIS NOTE.

RUN SAFETY GROUND FROM
CABINET TO APPROVED EXTERNAL
GROUND.

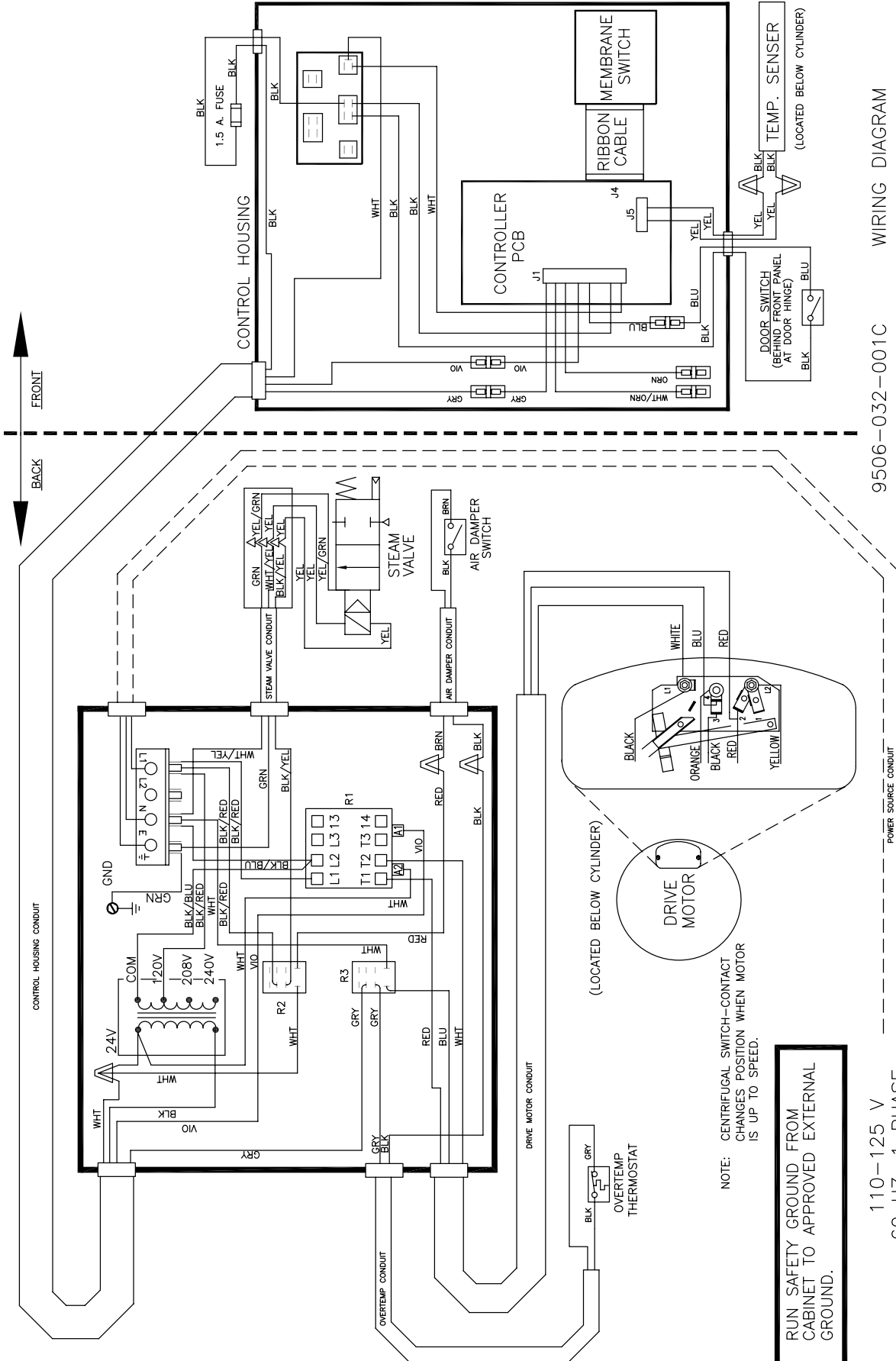
240 V
60 HZ, 1 PHASE

NOTE: CENTRIFUGAL SWITCH-CONTACT
CHANGES POSITION WHEN MOTOR
IS UP TO SPEED.

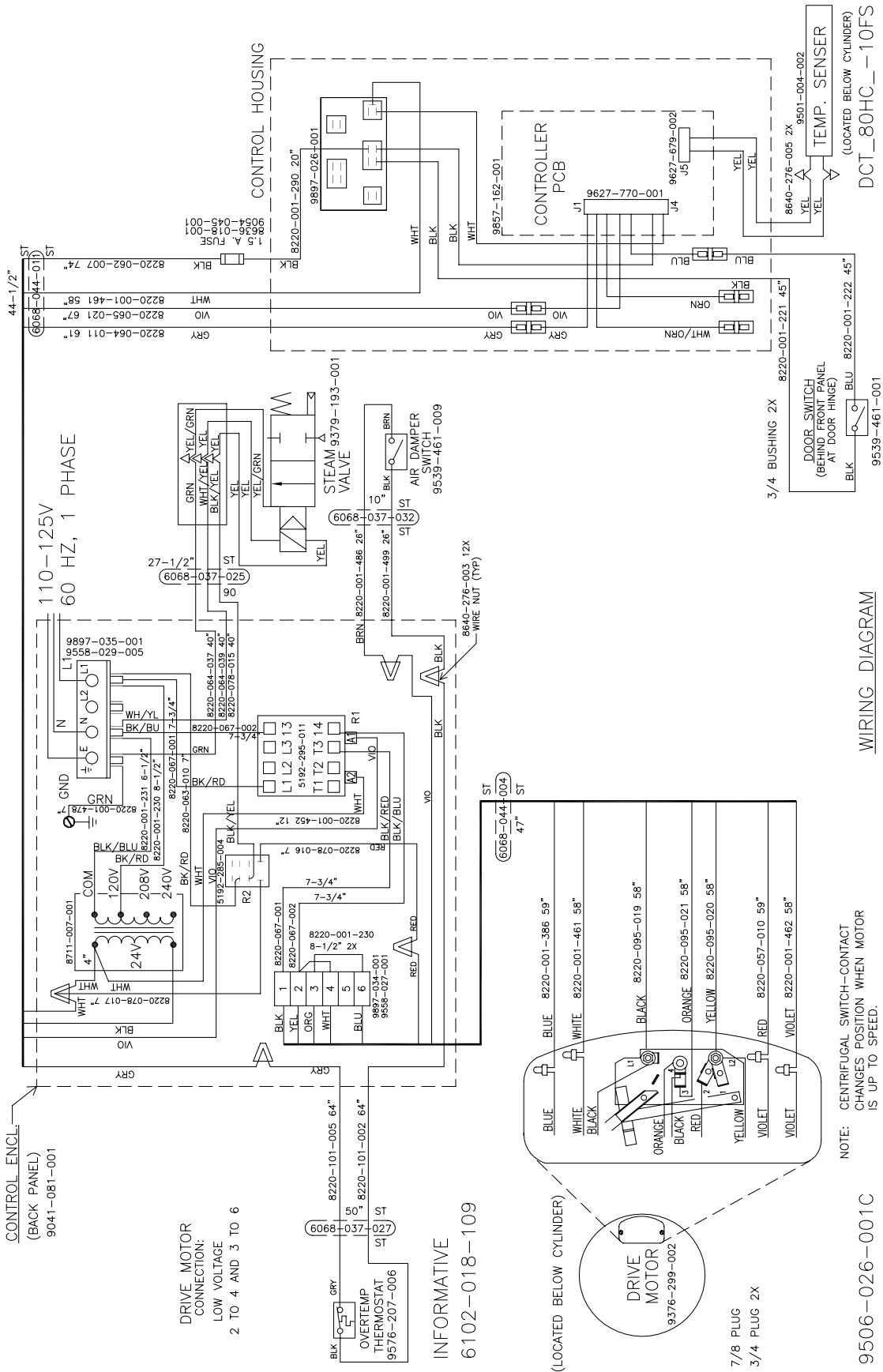
WIRING DIAGRAM DCT_80HC--61FS
9506-030-001 REV C

NAME THE DEXTER COMPANY FAIRFIELD, IOWA	MODEL DCT(D)/C(G)80HC(A)/W(S)-61FS	DATE 08/05/03	SCALE NONE
	USED ON	CHECKED	GRAPHIC
PART NO. 9506-030-001	DWG. NO.	APPROVED	SIZE B
9506-030			

Steam Wire Diagram 120 Volt

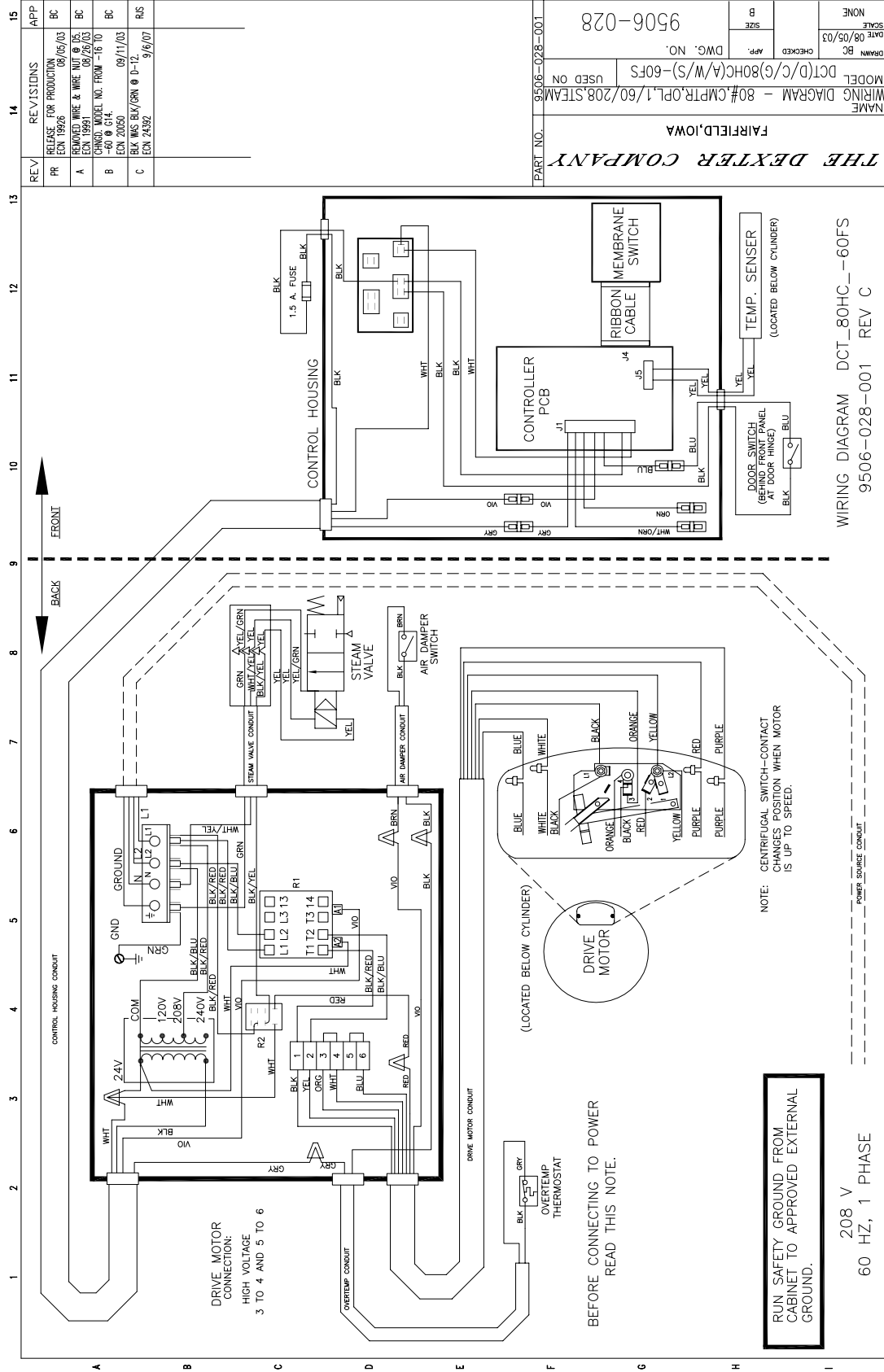


Steam Wire Informative



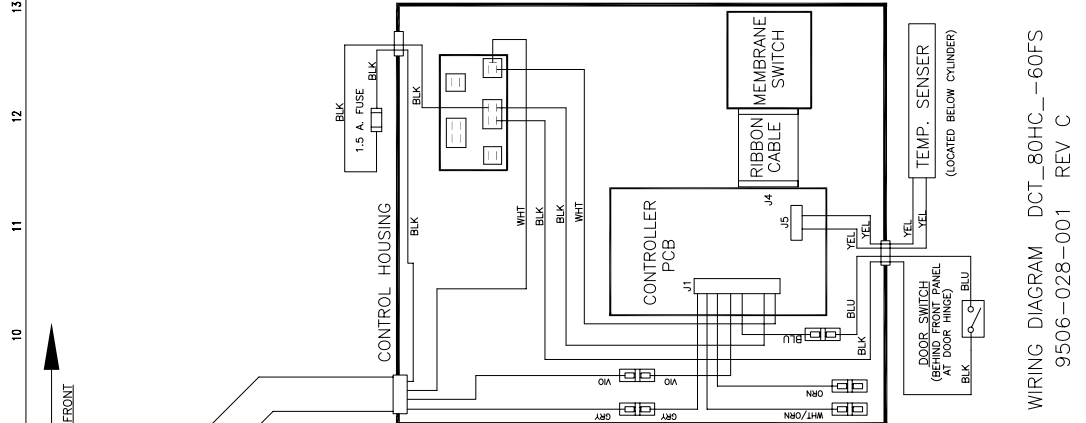
INFORMATIVE
6102-018-109

Steam Wire Diagram 208 Volt



REV	REVISIONS	APP
PR	RELEASE FOR PRODUCTION 08/05/03 EON 19926	BC
A	REMOVED WIRE & WIRE NUT @ DS. EON 19991	BC
B	CHNGD. MODEL NO. FROM -16 TO -60 @ 6/4. EON 20030	BC
C	BLK WTS BLY/GRN @ D-15 EON 24392	BJS

NAME	THE DEXTER COMPANY
WIRING DIAGRAM - 80# CMPTR.OPL.1/60/208.STEAM	
MODEL	DCT(D)/C/(S)80HC(A/W/S)-60FS
USED ON	
DWG. NO.	9506-028
DATE	08/05/03
SCALE	NONE
DRAWN BY	BC
CHECKED	
APP.	
SIZE	B



WIRING DIAGRAM DCT_80HC_-60FS
9506-028-001 REV C

Section 9:

50hZ

Models

50 Hz Specifications

Dry Weight Capacity:	36.3 kg
Basket Depth:	96.72 cm
Basket Diameter:	92.71 cm
Basket Volume:	651.29 dm ³
Door Opening:	66.04 cm
Overall Height (with legs):	191.77 cm - 194.31 cm
Cabinet Width:	97.0 cm
Overall Depth:	129.86 cm
Door Height (floor to bottom of door):	78.74 cm
Cylinder Rotation Direction:	CCW
Speed:	47 rpm
Natural Gas Supply (water column):	4" - 10" wc
Natural Gas at Burner Manifold:	3 1/2" wc
LP Supply:	11" - 14" wc
LP Burner:	11" wc
Gas Inlet Line Size:	1/2" npt
Motor Size:	.75 kw

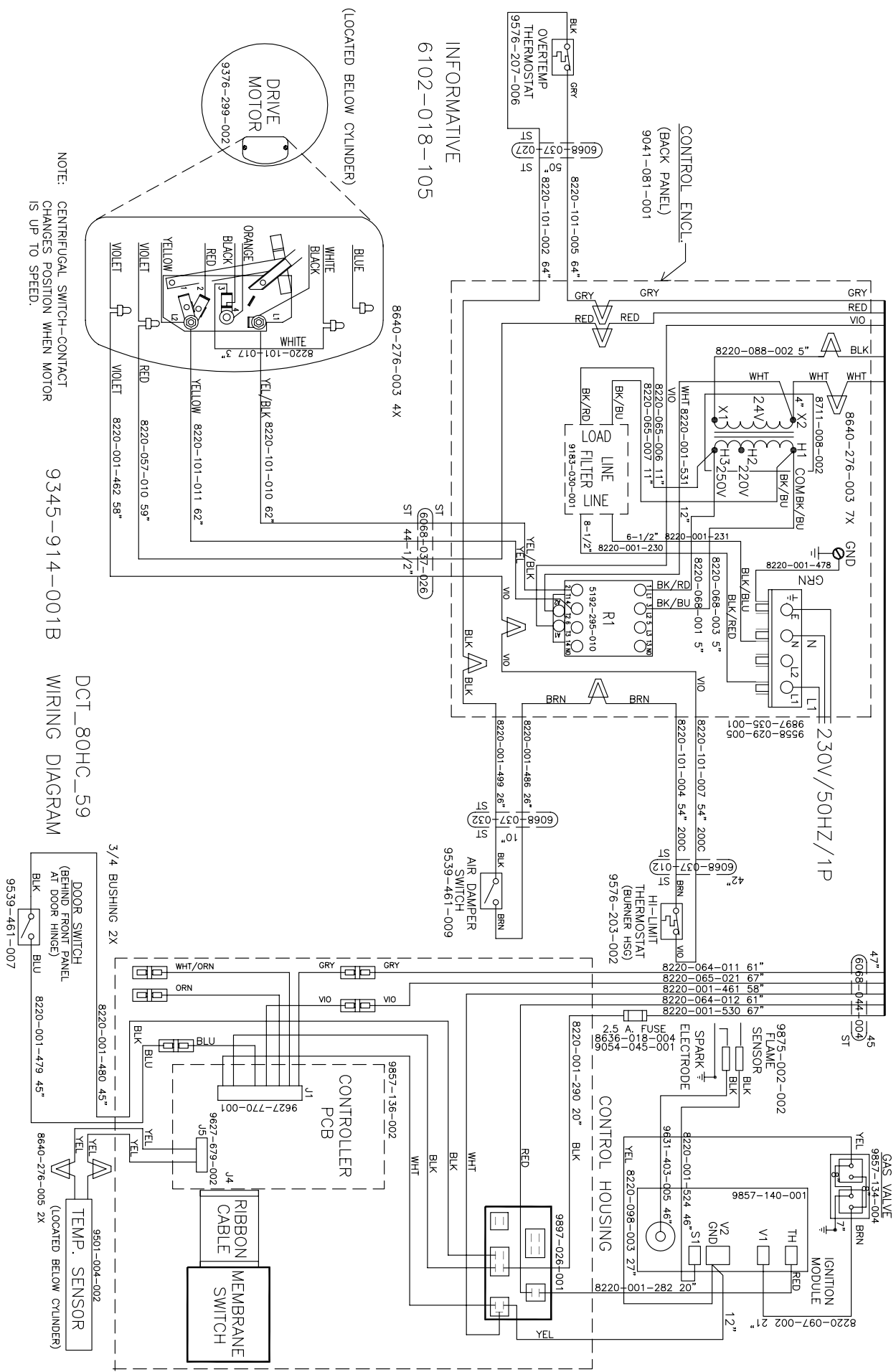
Electrical

Voltage:	220-240v/ 50hz/ 1 phase
Running Amps:	5.2
Amp Circuit Protection:	10 amp
Wire Size:	14 guage
Electrical Service:	2 wire + ground

Weights

Shipping:	806 kg
Net Weight:	276 kg

Clearance behind machine for service minimums:	45.72 cm
---	----------



INFORMATIVE
6102-018-105

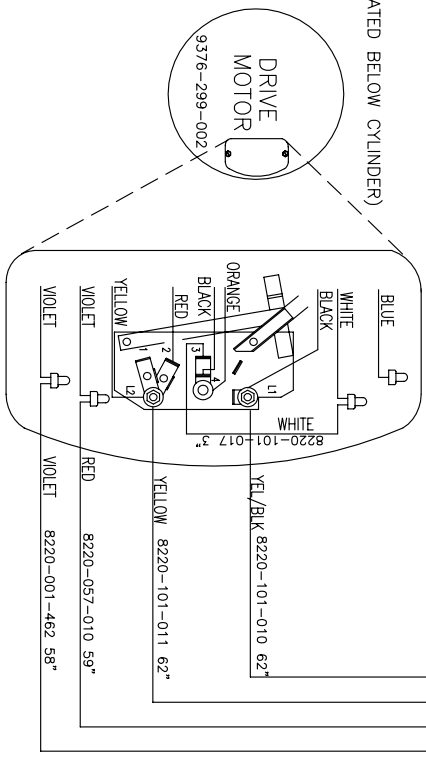
NOTE: CENTRIFUGAL SWITCH-CONTACT
CHANGES POSITION WHEN MOTOR
IS UP TO SPEED.

9345-914-001B

DCT_80HC_59
WIRING DIAGRAM

9539-461-007

9501-004-002
TEMP. SENSOR
(LOCATED BELOW CYLINDER)



(LOCATED BELOW CYLINDER)

8640-276-003 4X

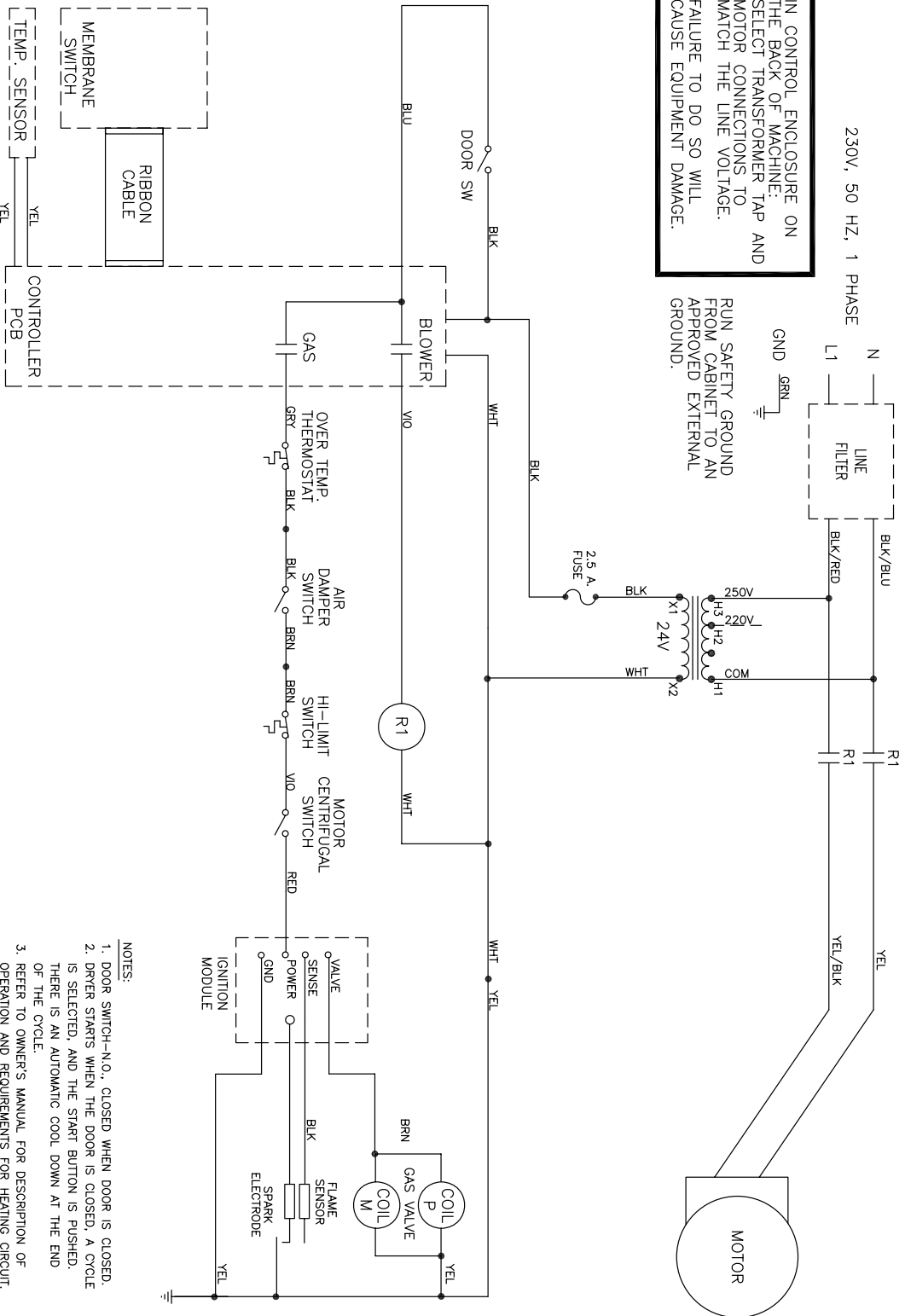
3/4 BUSHING 2X

DOOR SWITCH
(BEHIND FRONT PANEL
AT DOOR HINGE)

9539-461-007

9501-004-002
TEMP. SENSOR
(LOCATED BELOW CYLINDER)

IN CONTROL ENCLOSURE ON THE BACK OF MACHINE: SELECT TRANSFORMER TAP AND MOTOR CONNECTIONS TO MATCH THE LINE VOLTAGE. FAILURE TO DO SO WILL CAUSE EQUIPMENT DAMAGE.



- NOTES:
1. DOOR SWITCH—N.O., CLOSED WHEN DOOR IS CLOSED.
 2. DRYER STARTS WHEN THE DOOR IS CLOSED, A CYCLE IS SELECTED, AND THE START BUTTON IS PUSHED. THERE IS AN AUTOMATIC COOL DOWN AT THE END OF THE CYCLE.
 3. REFER TO OWNER'S MANUAL FOR DESCRIPTION OF OPERATION AND REQUIREMENTS FOR HEATING CIRCUIT.

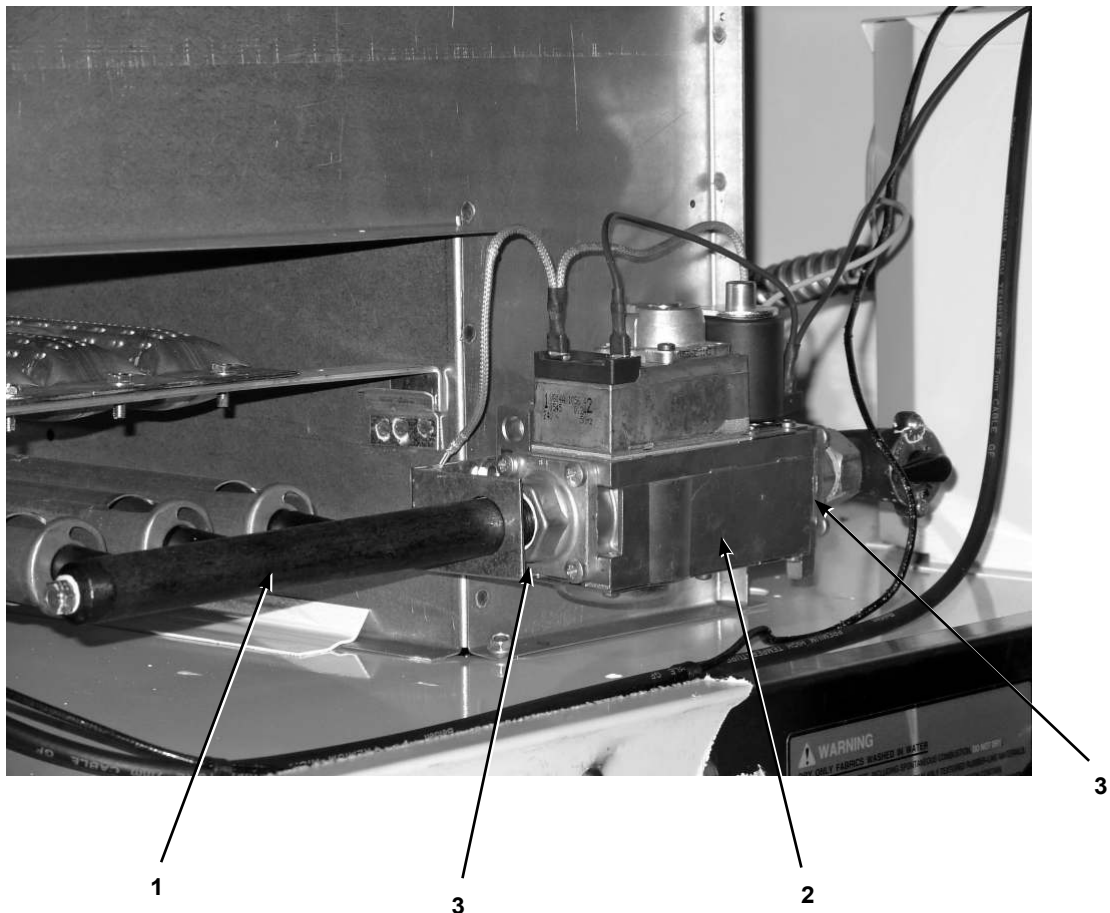
9345-913-001C

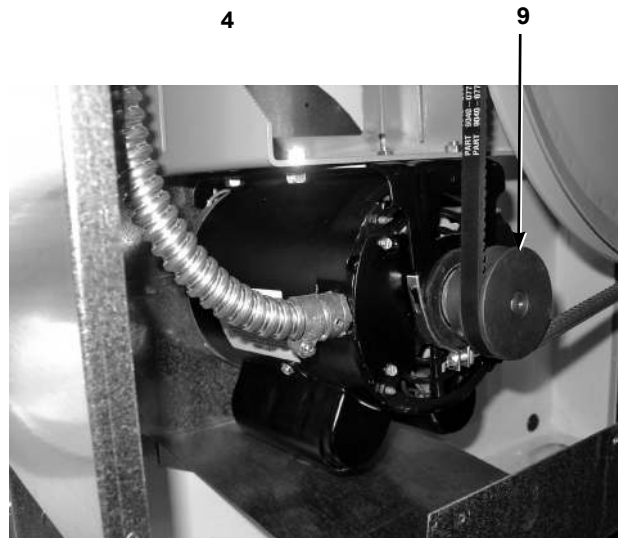
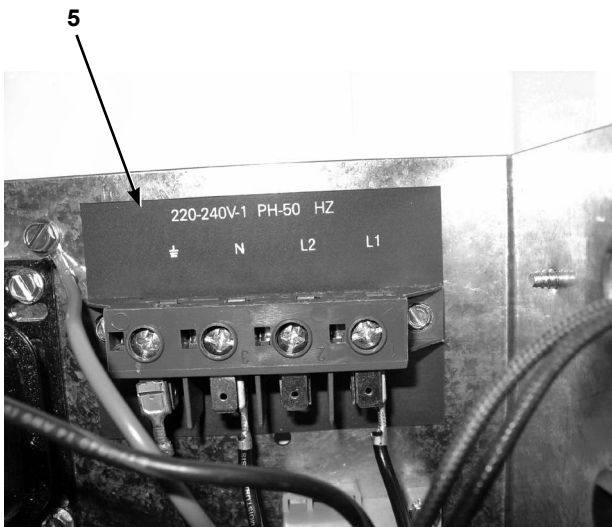
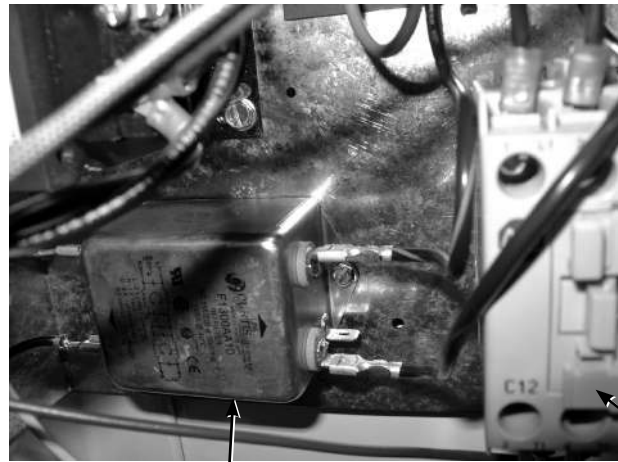
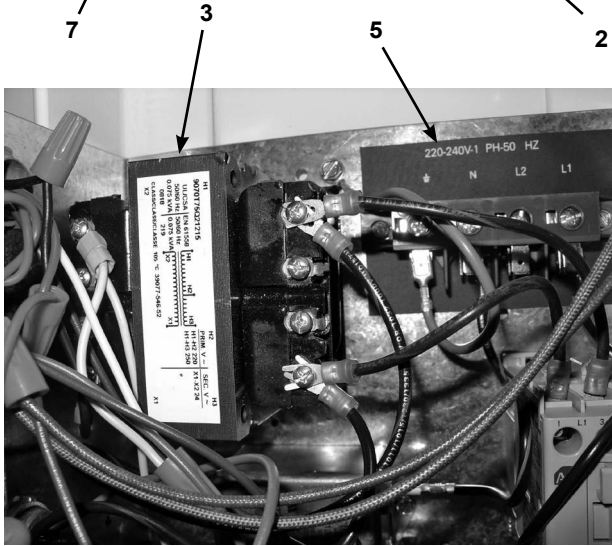
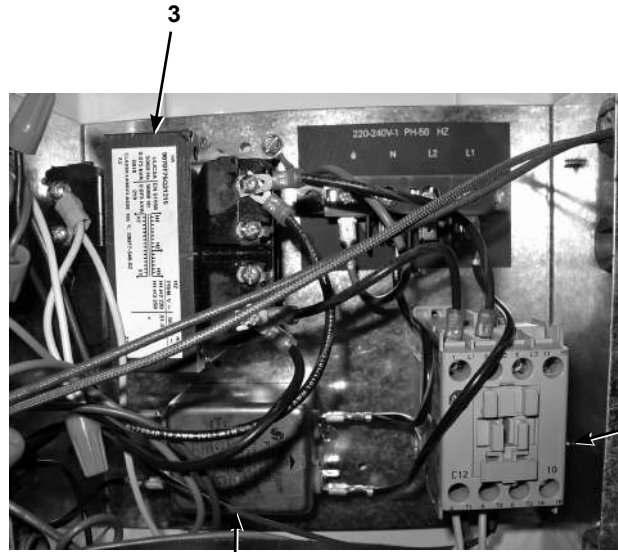
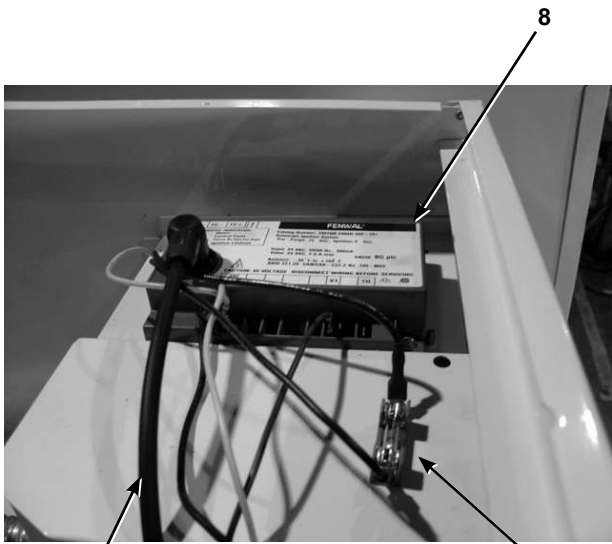
SCHEMATIC

DTC_80HC-59

Burner and Gas Valve components 50Hz.

Key	Part Nmber	Description	Quantity
*	9803-190-001	Burner Housing Assembly (Welded)	1
*	9048-018-001	Burner Assembly	3
*	9049-058-002	Baffel-Burner housing, Center.....	1
1	9381-010-002	Manifold Assembly (3 Port)	1
*	9425-069-020	Orfice-Plug, Main Burner, 3.9mm.....	3
2	9857-132-004	Valve Assembly-Gas	1
3	9732-162-001	Kit-VR86 Valve Flange	2
*	9791-001-002	Adaptor Assembly-Gas inlet.....	1
*	9000-043-001	Adaptor-3/4US to 3/4ISO Thred.....	1
*	9000-044-002	Adaptor European Exhaust	1





Electrical Components 50HZ

Key	Part Number	Description	Quantity
5	9558-029-005	Strip-Terminal, Marker	1
*	8220-001-230	Wire Assembly RED/BIK 81/2"	1
*	8220-001-282	Wire Assembly RED 20"	1
*	8220-001-461	Wire Assembly WHT, 58"	1
*	8220-001-479	Wire Assembly BIU, 45"	1
*	8220-001-480	Wire Assembly BIK, 45"	1
*	8220-001-524	Wire Assembly BIK, 46"	1
*	8220-001-530	Wire Assembly BIK, 67"	1
*	8220-001-531	Wire Jumper Assembly WHT, 12",4"	1
*	8220-065-006	Wire Assembly RED/BIK, 11"	1
*	8220-065-007	Wire Assembly BIK/BIU, 11"	1
*	8220-068-001	Wire Assembly BIK/RED, 5"	1
*	8220-068-003	Wire Assembly BIK/BIU, 5"	1
*	8220-088-002	Wire Assembly BIK, 5"	1
*	8220-097-002	Wire Assembly Jumper BRN	1
*	8220-098-003	Wire Assembly Jumper, YEL	1
*	8220-101-010	Wire Assembly YEUBIK, 62"	1
*	8220-101-011	Wire Assembly YEL, 62"	1
*	8220-101-017	Wire Assembly WHT, 3"	1
1	5192-295-010	Relay	1
2	8636-018-004	Fuse-2.5A	1
3	8711-008-002	Transformer-Control	1
4	9183-030-001	Filter-Line, EMI	1
*	9539-461-007	Switch-Micro, Door	1
*	8640-276-003	Nut-Wire connection, #73B, ORG	11
7	9631-403-005	Wire Assembly-High Voltage	1
8	9857-140-001	Control, Ignition	1
9	9453-169-009	Pulley-Drive Motor	1
*	9345-913-001	Wiring Schematic	1
*	9345-914-001	Wiring Diagram	1
*	8514-043-002	Booklet-Owners	1
*	9277-051-001	Insulation-Side Pannel	1
*	8502-684-004	label- European Information	1
*	8502-680-001	CE-Rotation	1

Notes

Lined area for taking notes.