



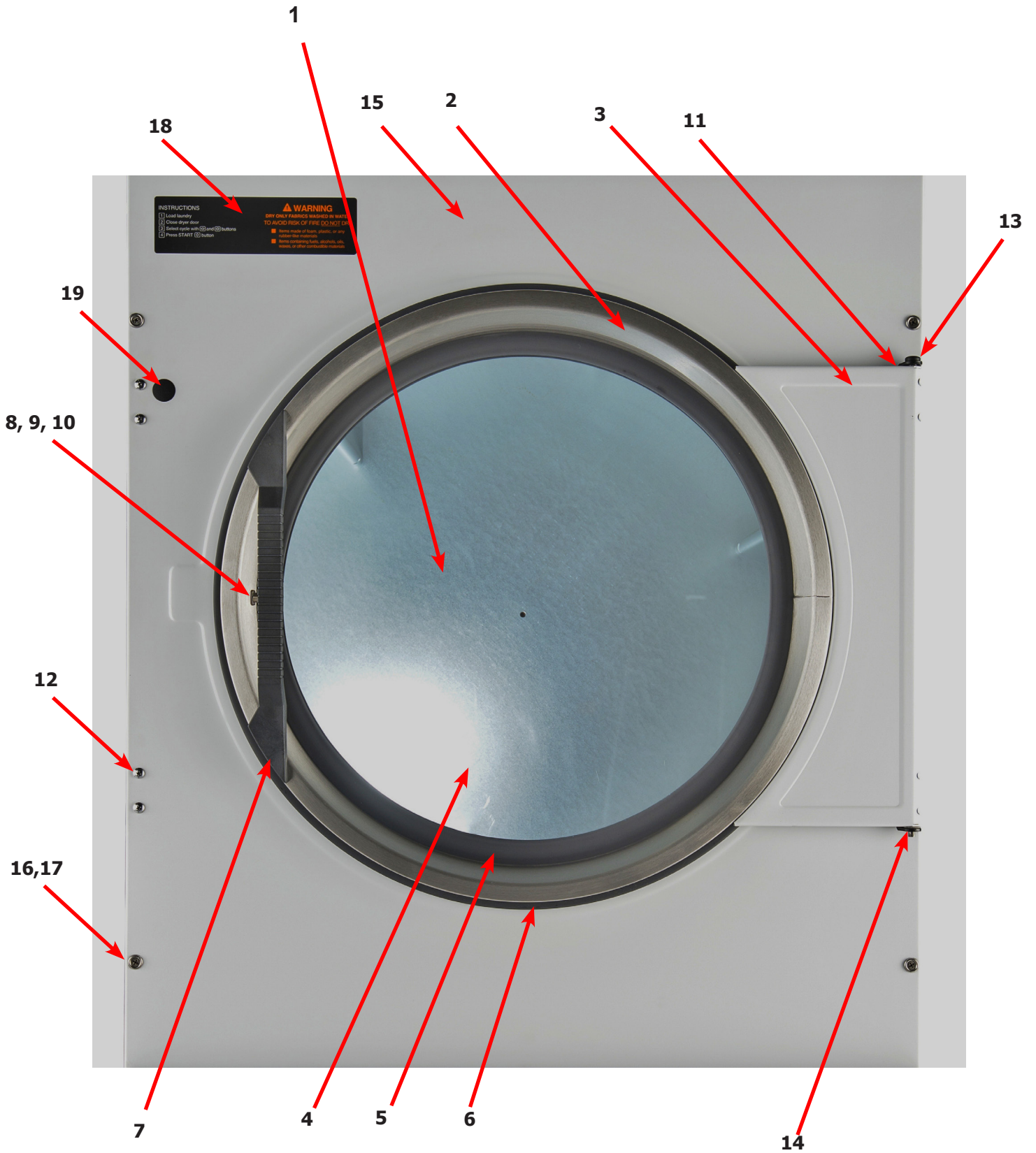
DCBD30HC_-10
DCBD50HC_-10
DCBD80HC_-10

Section 5:

Dryer Parts Data

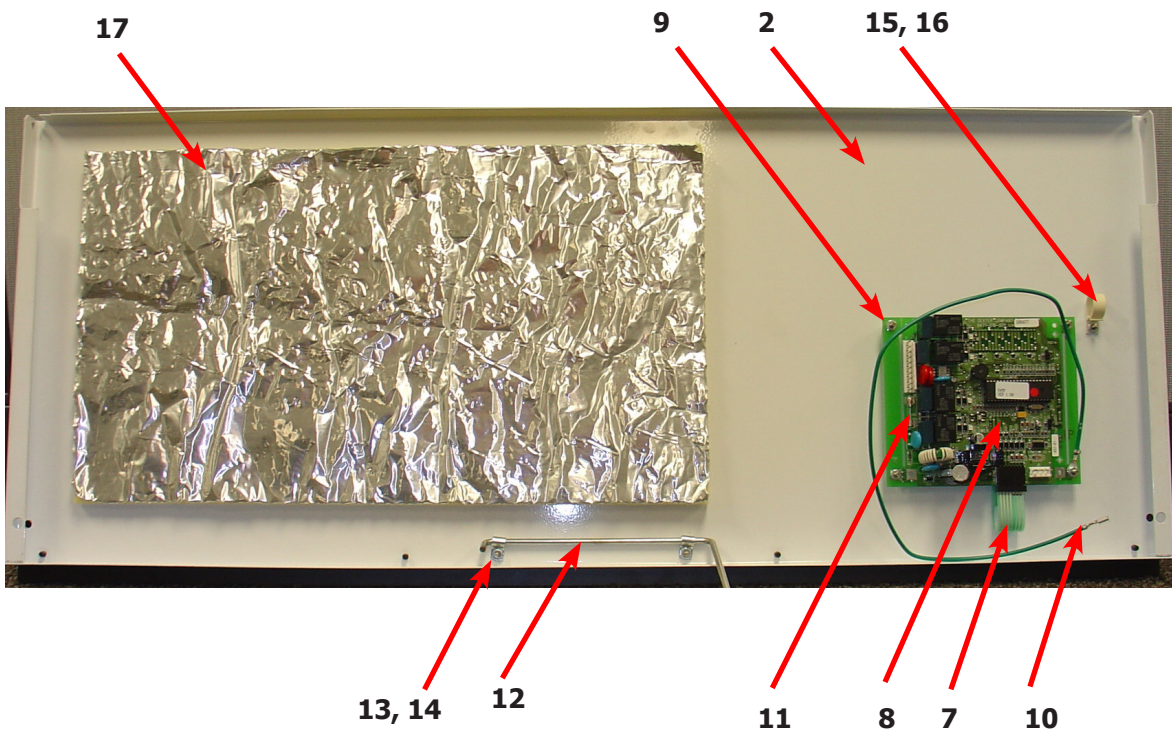
Dryer Cabinet Group

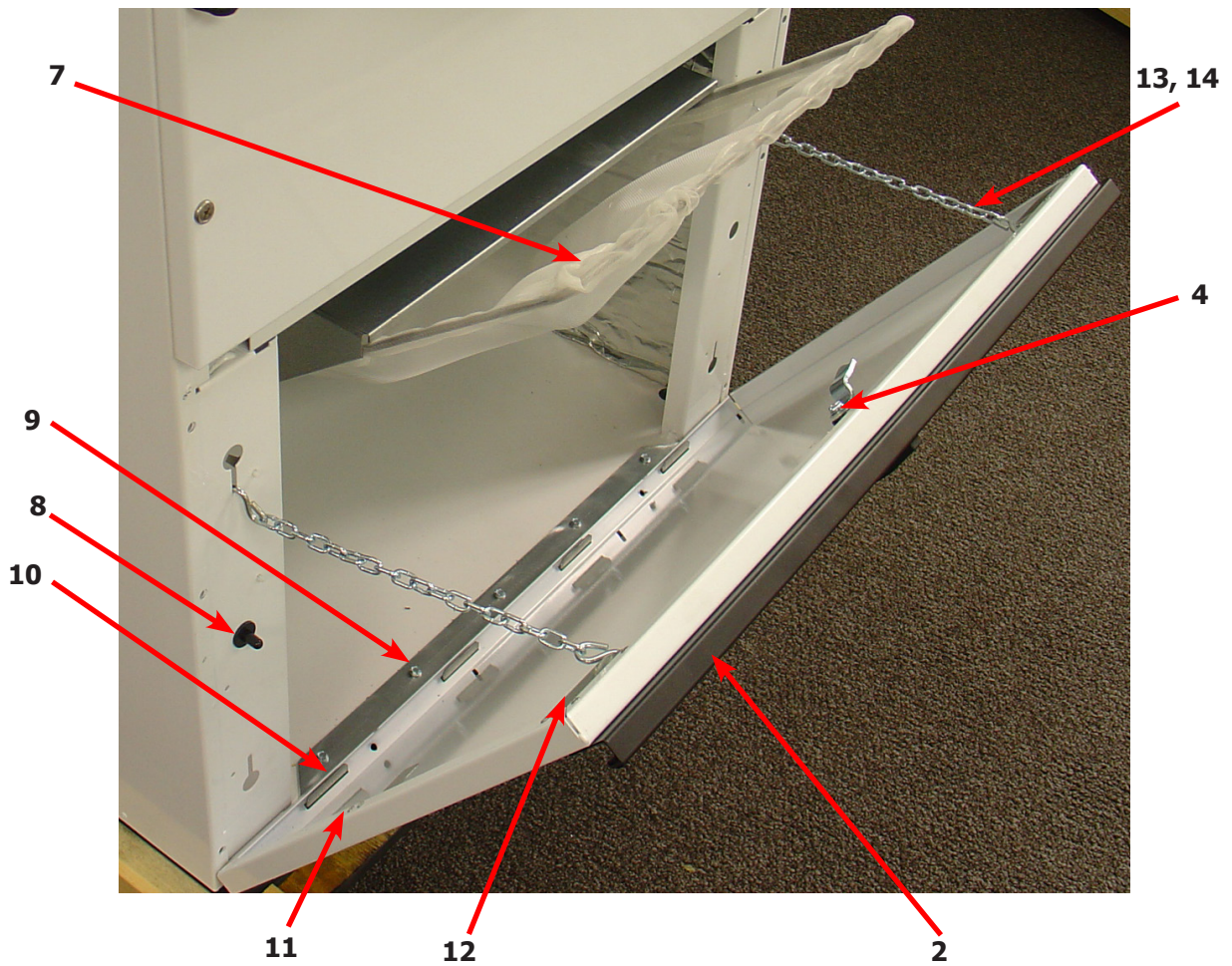
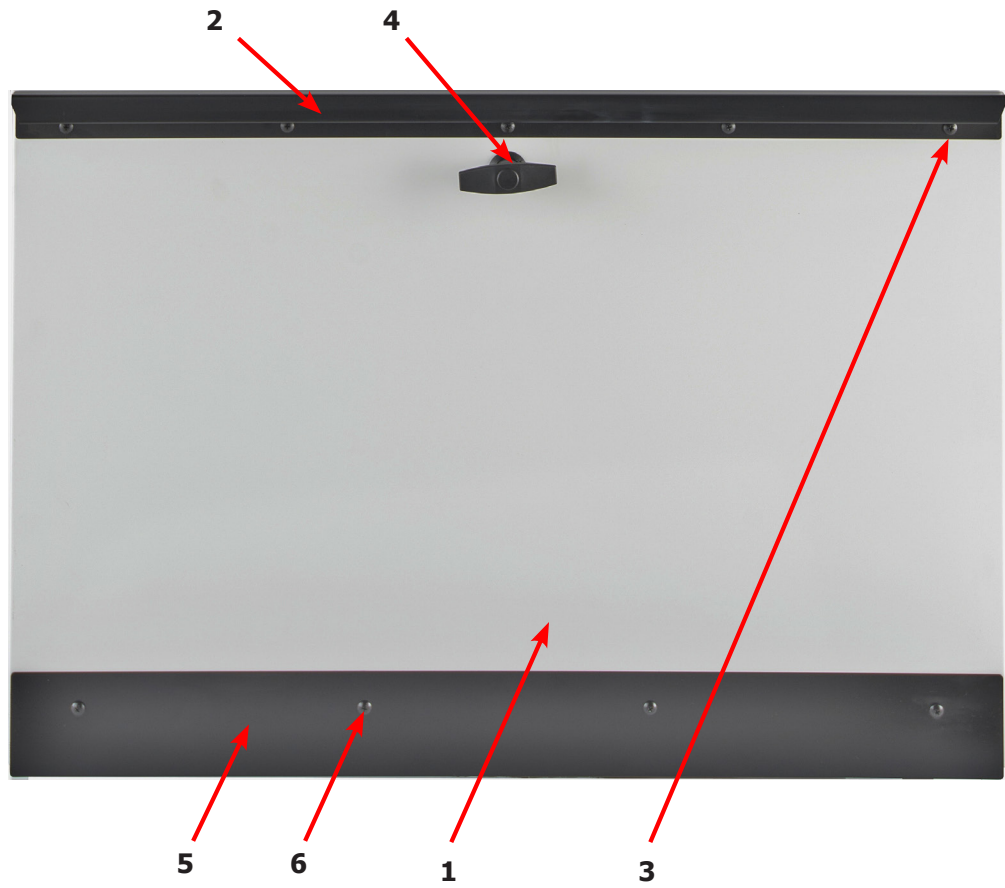
| Key | Description | T-30 | T-50 | T80 | QTY |
|-----|---|--------------|--------------|--------------|-----|
| 1 | Loading Door Complete SS/ Brushed SS/Blk | 9960-306-001 | 9960-305-001 | 9960-305-001 | 1 |
| 1 | Loading Door Complete Wht/ Brushed SS/Blk | 9960-306-003 | 9960-305-003 | 9960-305-003 | 1 |
| 2 | Door Assy, Loading (Ring only) Brushed SS | 9960-255-008 | 9960-284-002 | 9960-284-002 | 1 |
| 3 | Plate Assy, Hinge (SS) | 9982-374-001 | 9982-368-001 | 9982-368-001 | 1 |
| 3 | Plate Assy, Hinge (Wht) | 9982-374-003 | 9982-368-003 | 9982-368-003 | 1 |
| * | Cover-Hinge Back, Black | 9074-341-002 | 9074-340-002 | 9074-340-002 | 1 |
| * | Screw-10Bx3/8, Black | 9545-008-010 | 9545-008-010 | 9545-008-010 | 2 |
| * | Screw Hinge to Door | 9545-012-015 | 9545-012-015 | 9545-012-015 | 4 |
| * | Nut, Hinge to Door | 8640-413-002 | 8640-413-002 | 8640-413-002 | 4 |
| 4 | Glass, Door | 9212-002-003 | 9212-002-004 | 9212-002-004 | 1 |
| 5 | Gasket, Door Glass (Black) | 9206-413-001 | 9206-413-002 | 9206-413-002 | 1 |
| * | Support Door Glass | 9548-117-000 | 9548-117-000 | 9548-117-000 | 2 |
| 6 | Gasket, Door Outer Rim (Black) | 9206-420-003 | 9206-420-005 | 9206-420-005 | 1 |
| 7 | Handle, Loading Door | 9244-082-001 | 9244-082-001 | 9244-082-001 | 1 |
| * | Screw, Handle | 9545-018-017 | 9545-018-017 | 9545-018-017 | 2 |
| 8 | Stud Door Catch | 9531-033-002 | 9531-033-002 | 9531-033-002 | 1 |
| 9 | Nut-Hex, #10-32 | 8640-413-001 | 8640-413-001 | 8640-413-001 | 1 |
| 10 | Nut, Acorn | 8640-413-003 | 8640-413-003 | 8640-413-003 | 1 |
| * | Catch, Loading Door | 9086-015-002 | 9086-015-002 | 9086-015-002 | 2 |
| * | Rivit | 8638-190-009 | 8638-190-009 | 8638-190-009 | 4 |
| 11 | Strap, Hinge (Black) | 9966-015-002 | 9966-014-002 | 9966-014-002 | 1 |
| * | Plate Assy-Backup, Hinge | 9982-371-001 | 9982-356-001 | 9452-790-001 | 2 |
| * | Plate Assy-Backup, Hinge | | | 9982-369-001 | 1 |
| * | Reinforcement-Front panel | | | 9817-003-001 | 1 |
| 12 | Screw-Phillips, 10-32x1/2 Chrome | 9545-012-003 | | 9545-012-003 | 8 |
| * | Screw-Phillips-Counter sink, 10- 32x1/2 Chrome | NA | | 9545-012-028 | 4 |
| 13 | Screw-Special, Hinge to Door | 9545-052-001 | 9545-052-001 | 9545-052-001 | 1 |
| * | Nut-Allen, 1/4-20 | 8640-439-001 | 8640-439-001 | 8640-439-001 | 1 |
| 14 | Washer-Fiber/Plastic | 8641-436-003 | 8641-436-003 | 8641-436-003 | 1 |
| 15 | Front Panel Assy (SS) | 9454-870-001 | 9454-866-001 | 9454-868-001 | 1 |
| 15 | Front Panel Assy (Wht) | 9454-870-003 | 9454-866-003 | 9454-868-003 | 1 |
| 16 | Screw-Phillips, 10Bx1 3/4 | 9545-008-014 | 9545-008-014 | 9545-008-014 | 4 |
| 17 | Washer-Finish | 8641-585-001 | 8641-585-001 | 8641-585-001 | 4 |
| * | Nut-Spring | 8640-399-001 | 8640-399-001 | 8640-399-001 | 4 |
| * | Insulation-Front Panel, Top Half | 9277-062-001 | 9277-057-001 | 9277-058-001 | 1 |
| * | Insulation-Front Panel, Bottom Half | 9277-062-002 | 9277-057-002 | 9278-058-002 | 1 |
| 18 | Label-Warning | 8502-753-001 | 8502-753-001 | 8502-753-001 | 1 |
| 19 | Plug-Front Panel | 9456-050-001 | 9456-050-001 | 9456-050-001 | 1 |
| * | Switch-Door Closed | 9539-492-001 | 9539-492-001 | 9539-492-001 | 1 |
| * | Wire-Assy, Blk | 8220-063-026 | 8220-063-026 | 8220-063-026 | 1 |
| * | Wire-Assy-Blu | 8220-063-009 | 8220-063-009 | 8220-063-009 | 1 |
| * | Cover-Door Switch | | | 9074-351-001 | 1 |
| * | Nut-#10-32unf, 2B | | | 8641-413-002 | 2 |



Dryer Cabinet Group Continued

| Key | Description | T-30 | T-50 | T80 | QTY |
|-----|---------------------------------|--------------|--------------|--------------|-----|
| 1 | Nameplate - Dexter Dryer Black | 9412-196-001 | 9412-196-001 | 9412-196-001 | 1 |
| 2 | Door Assy-Upper, OPL (SS) | 9960-288-001 | 9960-290-001 | 9960-292-001 | 1 |
| 2 | Door Assy-Upper, OPL (Wht) | 9960-288-003 | 9960-290-003 | 9960-292-003 | 1 |
| * | Bracket-Hinge | 9029-224-001 | 9029-224-001 | 9029-224-001 | 2 |
| * | Rivit- 3/16, Hinge to Door | 9491-009-001 | 9491-009-001 | 9491-009-001 | 2 |
| * | Rivit- 3/16, Hinge to Cabinet | 9491-009-001 | 9491-009-001 | 9491-009-001 | AR |
| 3 | Trim-Upper Service Door, Black | 9578-098-002 | 9578-094-002 | 9578-096-002 | 1 |
| 4 | Screw-Phillips, 10Bx3/8, Black | 9545-008-010 | 9545-008-010 | 9545-008-010 | 4 |
| 5 | Screw-Phillips, 10Bx1 3/4 | 9545-008-014 | 9545-008-014 | 9545-008-014 | 2 |
| 6 | Washer-Finish | 8641-585-001 | 8641-585-001 | 8641-585-001 | 2 |
| * | Nut-Spring | 8640-399-001 | 8640-399-001 | 8640-399-001 | 2 |
| 7 | Membrane Switch | 9801-104-001 | 9801-104-001 | 9801-104-001 | 1 |
| 8 | Kit-30/50/80 OPL, PCB-Controler | 9732-249-001 | 9732-249-001 | 9732-249-001 | 1 |
| * | Spacer-#6 x 1/2 | 9538-157-016 | 9538-157-015 | 9538-157-015 | 4 |
| 9 | Nut- #6-32 | 8640-411-003 | 8640-411-003 | 8640-411-003 | 4 |
| 10 | Wire Assy-GRN, 24" | 8220-137-001 | 8220-137-001 | 8220-137-001 | 1 |
| 11 | Fuse, .600MA/250V | 8636-024-001 | 8636-024-001 | 8636-024-001 | 1 |
| 12 | Support-Upper Service Door | 9548-288-001 | 9548-288-001 | 9548-288-001 | 1 |
| 13 | Clamp-Tube | 9079-121-002 | 9079-121-002 | 9079-121-002 | 2 |
| 14 | Nut, #6-32 | 8640-411-003 | 8640-411-003 | 8640-411-003 | 2 |
| 15 | Clamp-Cable, 1/2" | 8654-125-006 | 8654-125-006 | 8654-125-006 | 1 |
| 16 | Nut, #6-32 | 8640-411-003 | 8640-411-003 | 8640-411-003 | 1 |
| 17 | Insulation | 9277-041-016 | 9277-041-016 | 9277-041-016 | 1 |
| * | Harness-Control | 9627-770-001 | 9627-770-001 | 9627-770-001 | 1 |
| * | Harness-Temp Probe | 9627-679-002 | 9627-679-002 | 9627-679-002 | 1 |
| | | | | | |
| | | | | | |
| | | | | | |
| | | | | | |
| | | | | | |

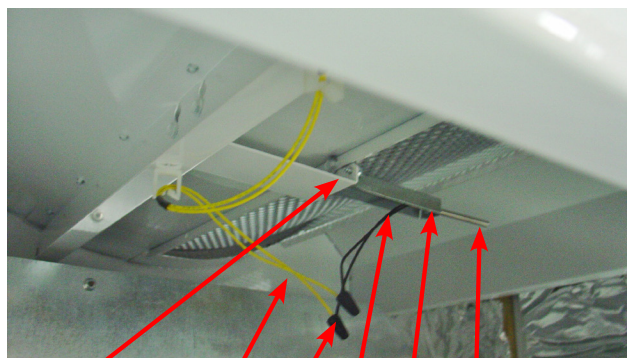




Dryer Cabinet Group Continued

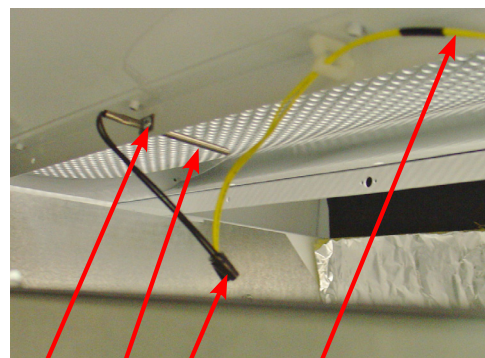
| Key | Description | T-30 | T-50 | T80 | QTY |
|-----|---------------------------------------|--------------|--------------|--------------|-----|
| 1 | Insulation, Upper service Door | 9277-041-006 | 9277-041-016 | 9277-041-016 | 1 |
| 2 | Insulation, RH Burnner | 9277-041-019 | 9277-041-023 | 9277-041-023 | 1 |
| 3 | Insulation Tumbler Area, above Baffle | 9277-041-020 | 9277-041-023 | | 2 |
| 3 | Insulation Tumbler Area, above Baffle | | 9277-041-023 | 9277-041-021 | |
| 4 | Insulation Tumbler Area, below baffle | 9277-041-020 | 9277-051-003 | | 2 |
| 4 | Insulation Tumbler Area, below baffle | | 9277-051-003 | 9277-041-004 | 2 |
| 4 | Insulation Tumbler Area, below baffle | | | 9277-041-004 | 6 |
| 5 | Insulation Lint Compartment | 9277-041-021 | 9277-041-024 | 9277-041-025 | 2 |
| * | Screen Assy, Lint | 9822-026-002 | 9822-026-001 | 9822-031-002 | 1 |
| 6 | Switch-Door Closure | 9539-492-001 | 9539-492-001 | 9539-492-001 | 1 |
| 7 | Hinge-Door, Lower | 9243-081-001 | 9243-082-001 | 9243-082-001 | 1 |
| 8 | Screw-5/16, 10ABx3/8 | 9545-008-024 | 9545-008-024 | 9545-008-024 | AR |
| 9 | Lint Hood-Back | 9240-038-001 | 9240-041-001 | 9240-044-001 | 1 |
| 10 | Nut Wizlock, 8-32 | 8640-412-004 | 8640-412-004 | 8640-412-004 | 6 |
| 11 | Lint hood, LH | 9240-040-001 | 9240-043-001 | 9240-046-001 | 1 |
| 12 | Lint hood, RH | 9240-040-002 | 9240-043-002 | 9240-046-002 | 1 |
| 13 | Lint hood, Top | 9240-039-001 | 9240-042-001 | 9240-045-001 | 1 |
| 14 | Screw, 5/16- 10ABx3/8 | 9545-008-024 | 9545-008-024 | 9545-008-024 | 14 |
| 15 | Impeller, w/set screws | 9278-043-001 | 9278-038-004 | 9278-037-003 | 1 |
| 16 | Harness -Temp Probe | 9627-679-002 | 9627-679-002 | 9627-679-002 | 1 |
| 17 | Wire Nut, #71B | 8640-276-005 | 8640-276-005 | 8640-276-005 | 2 |
| 18 | Bracket, Temp Probe | 9029-197-001 | NA | NA | 1 |
| 19 | Screw-5/16, 10ABx3/8 | 9545-008-024 | NA | NA | 1 |
| 20 | Temp Probe | 9501-004-002 | 9501-004-002 | 9501-004-002 | 1 |
| 21 | Screw-Phillips, 8Bx1/4 | 9545-045-005 | 9545-045-005 | 9545-045-005 | 1 |

30lb Temp Probe

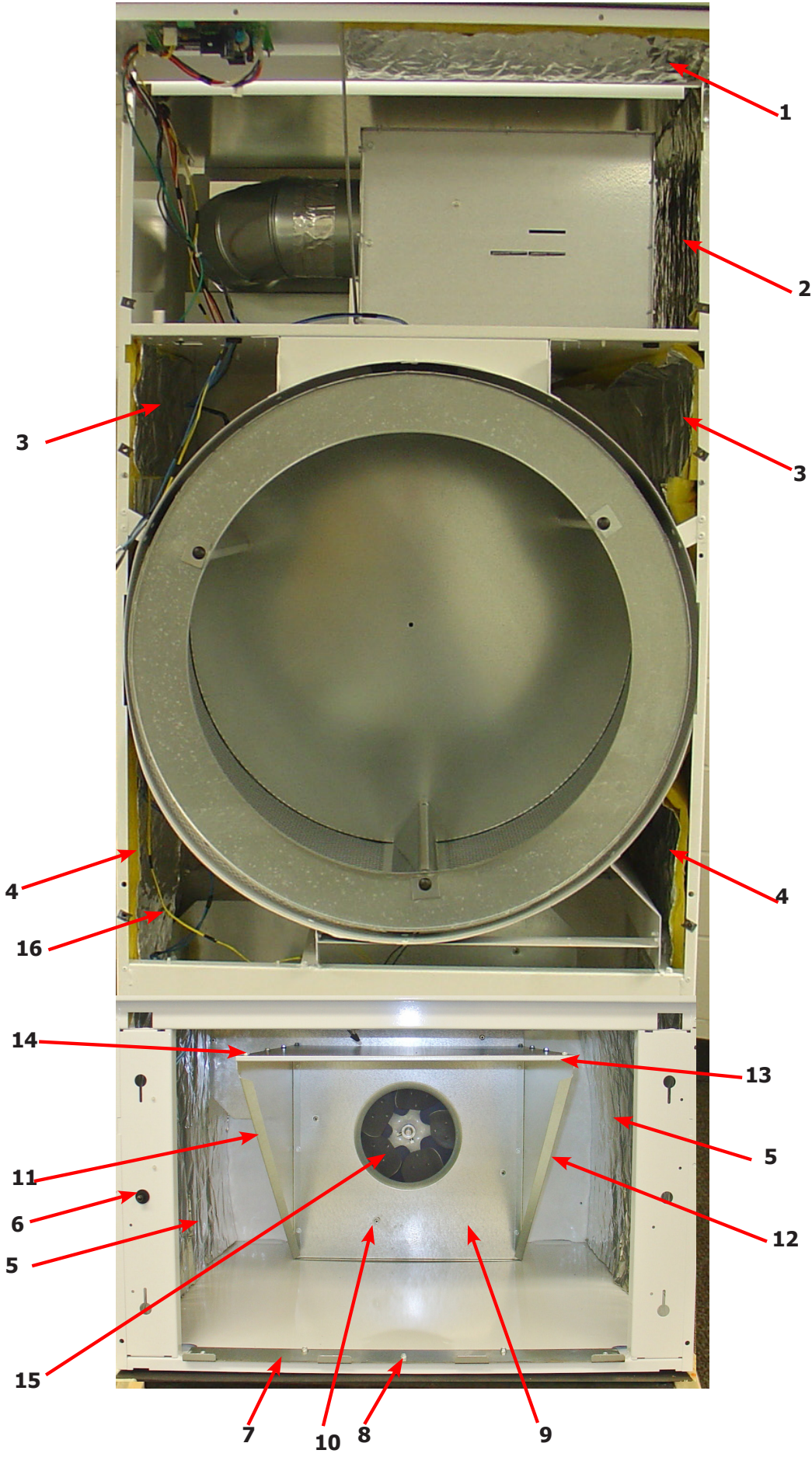


19 16 17 18 21 20

50Lb & 80Lb Temp Probe

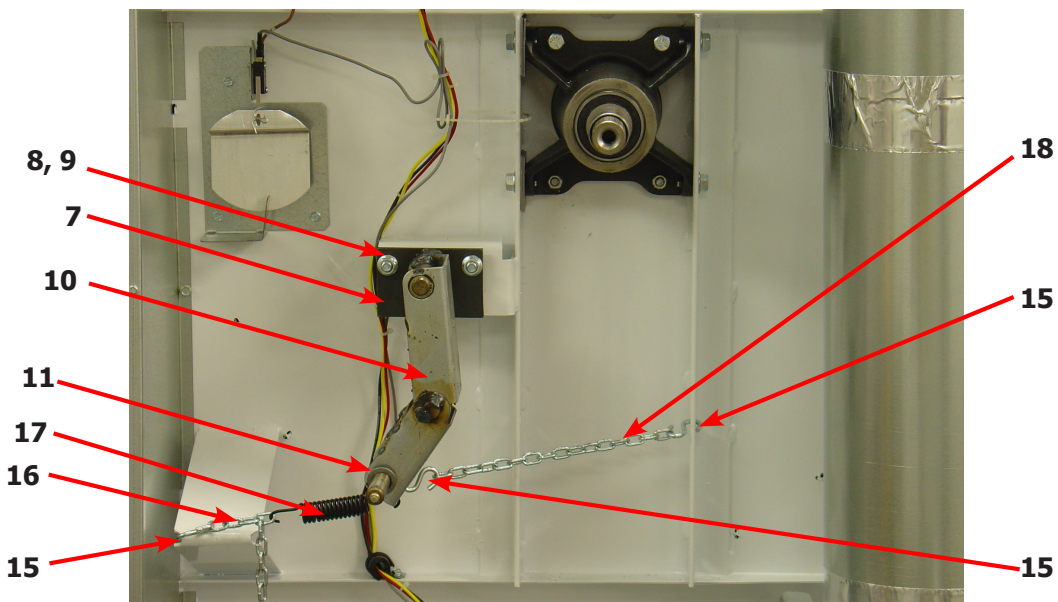


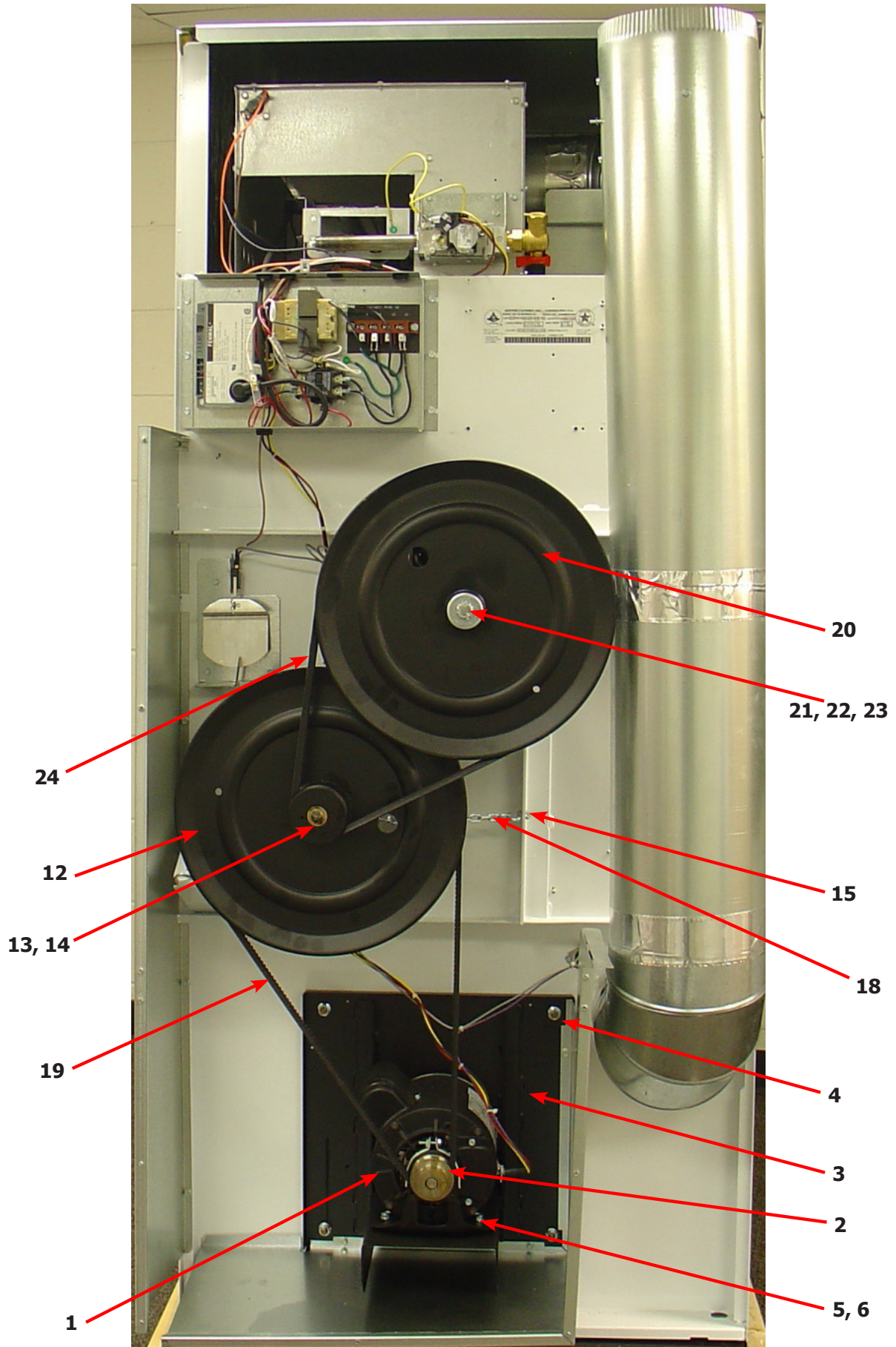
21 20 17 16



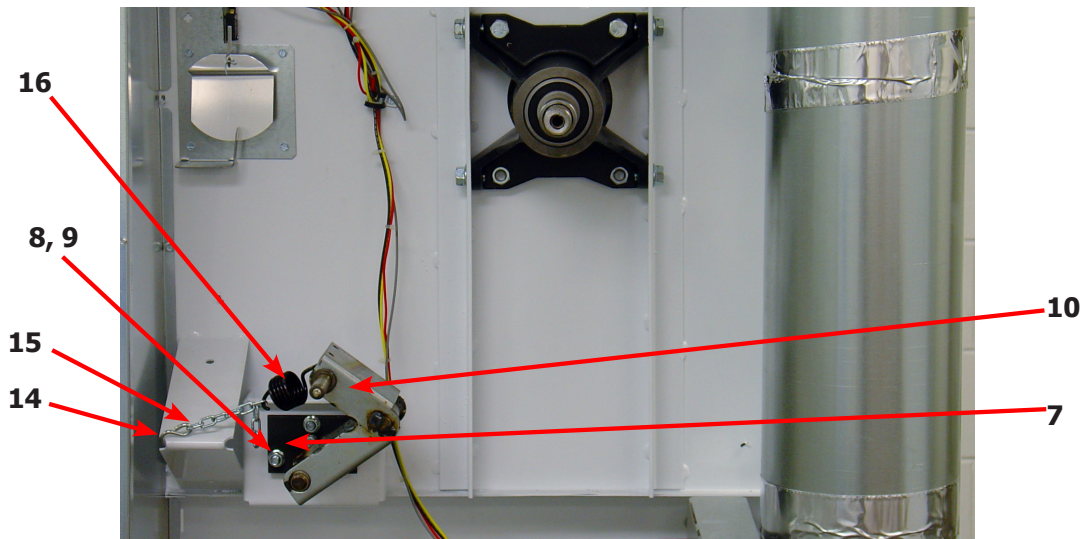
Dryer Rear View 30Lb

| Key | Description | T-30 | QTY |
|-----|----------------------------------|--------------|-----|
| 1 | Motor | 9376-311-003 | 1 |
| 2 | Pulley | 9453-157-001 | 1 |
| * | Set screw | 9545-028-013 | 1 |
| 3 | Plate, Motor mounting | 9982-370-002 | 1 |
| * | Gasket, Motor Plate | 9206-428-001 | 1 |
| 4 | Nut-3/8-16, Plate to cabinet | 8640-415-004 | 4 |
| * | Impeller w/set screw | 9278-043-001 | 1 |
| 5 | Screw, 5/16-18x5/8 | 9545-014-004 | 4 |
| 6 | Nut, 3/8-16 | 8640-415-004 | 4 |
| 7 | Support Arm, Intermediate pulley | 9991-053-001 | 1 |
| 8 | Bolt- 3/8-16x1 1/4 | 9545-029-010 | 3 |
| 9 | Nut, Wizlock, 3/8x16 | 8640-415-004 | 3 |
| * | Cap Screw, 3/8-16x1 1/2 | 9545-029-003 | 1 |
| * | Snap Ring | 9487-200-003 | 1 |
| * | Washer-Flat, 3/8x1 | 8641-581-035 | 1 |
| 10 | Idler Arm Assembly | 9861-022-001 | 1 |
| 11 | Washer-Flat, 3/8x1 | 8641-581-035 | 2 |
| 12 | Pulley, Idler w/Bearings | 9908-039-004 | 1 |
| 13 | Bearing, Bronze | 9036-145-002 | 2 |
| 14 | Snap Ring | 9487-200-003 | 1 |
| 15 | Hook "S" type | 9248-022-002 | 3 |
| 16 | Chain, Spring tension | 9099-012-002 | 1 |
| 17 | Spring, tension | 9534-319-002 | 1 |
| 18 | Chain, Limit | 9099-012-007 | 1 |
| 19 | Belt Drive | 9040-076-003 | 1 |
| * | Tolerance Ring | 9487-234-005 | 1 |
| 20 | Pulley, Driven | 9908-049-002 | 1 |
| 21 | Washer-Flat, 1/2 | 8641-581-021 | 1 |
| 22 | Washer-Lock, Ext. tooth, 1/2 | 8641-582-016 | 1 |
| 23 | Bolt-3/4, 1/2-13x1 1/4 | 9545-017-009 | 1 |
| 24 | Belt, Driven | 9040-073-009 | 1 |

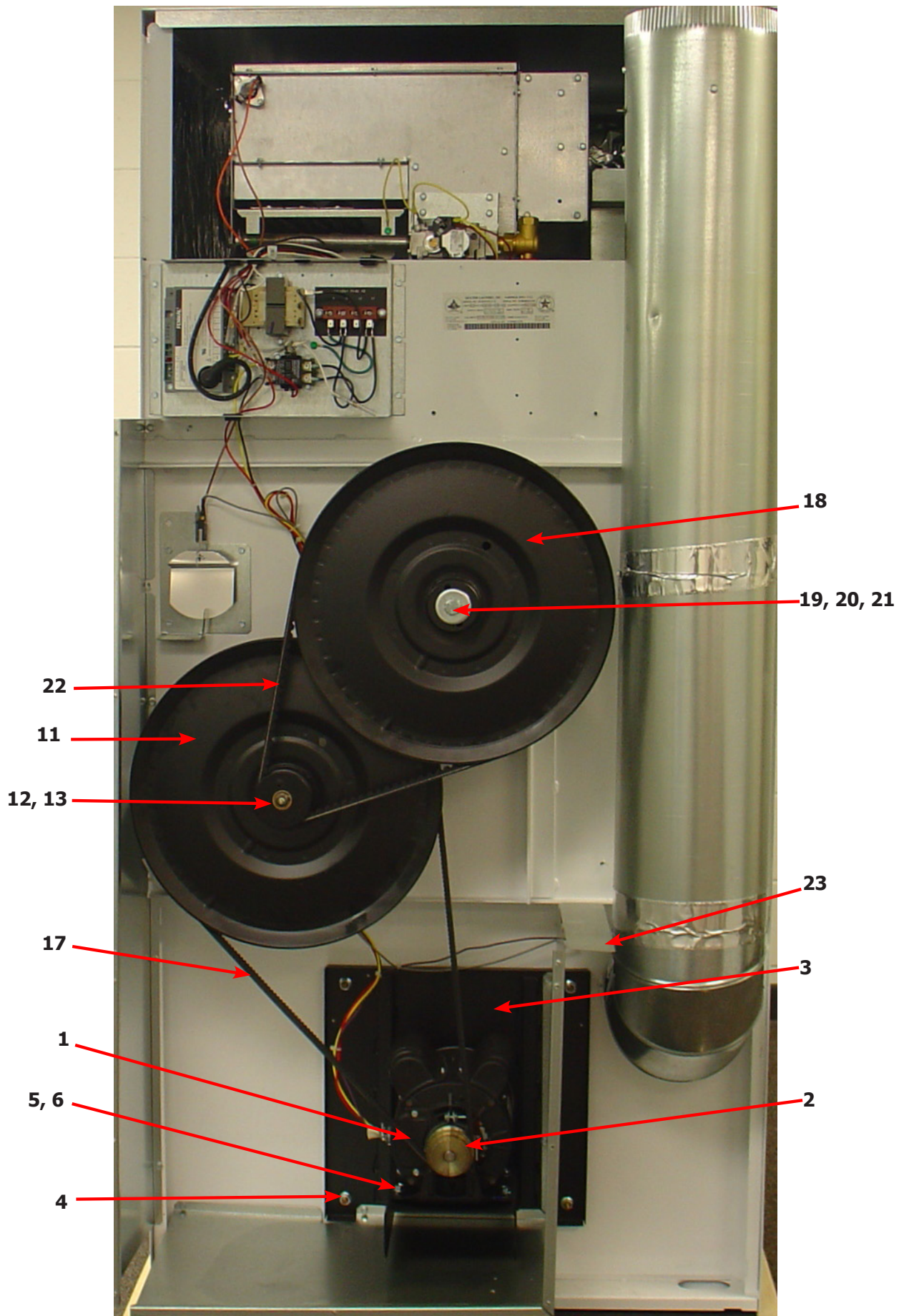




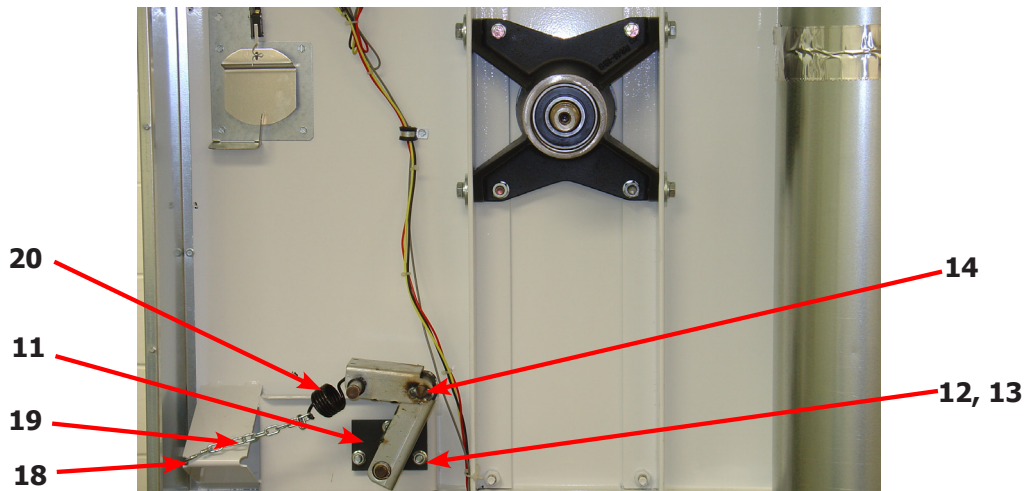
| Key | Description | T-50 | QTY |
|-----|----------------------------------|--------------|-----|
| 1 | Motor | 9376-317-003 | 1 |
| 2 | Pulley | 9453-169-013 | 1 |
| * | Set screw | 9545-028-013 | 1 |
| 3 | Plate, Motor mounting | 9982-370-002 | 1 |
| * | Gasket, Motor Plate | 9206-428-002 | 1 |
| 4 | Nut-3/8-16, Plate to cabinet | 8640-415-004 | 4 |
| * | Impeller w/set screw | 9278-038-004 | 1 |
| 5 | Screw, 5/16-18x5/8 | 9545-014-004 | 4 |
| 6 | Nut, 3/8-16 | 8640-415-004 | 4 |
| 7 | Support Arm, Intermediate pulley | 9991-053-002 | 1 |
| 8 | Bolt- 3/8-16x1 1/4 | 9545-029-010 | 3 |
| 9 | Nut, Wizlock, 3/8x16 | 8640-415-004 | 3 |
| * | Cap Screw, 3/8-16x1 1/2 | 9545-029-012 | 1 |
| * | Snap Ring | 9487-200-003 | 1 |
| * | Washer-Flat, 3/8x1 | 8641-581-035 | 1 |
| 10 | Idler Arm Assembly | 9861-022-002 | 1 |
| * | Snap Ring (Support Arm keeper) | 9487-200-003 | 1 |
| * | Snap Ring | 9487-200-003 | 1 |
| * | Washer-Flat, 3/8x1 | 8641-581-035 | 1 |
| 11 | Pulley, Idler w/Bearings | 9908-048-003 | 1 |
| 12 | Bearing, Bronze | 9036-145-002 | 2 |
| 13 | Snap Ring | 9487-200-003 | 1 |
| 14 | Hook "S" type | 9248-022-002 | 3 |
| 15 | Chain, Spring tension | 9099-012-002 | 1 |
| 16 | Spring, tension | 9534-151-000 | 1 |
| 17 | Belt Drive | 9040-076-006 | 1 |
| * | Tolerance Ring | 9487-234-005 | 1 |
| 18 | Pulley, Driven | 9908-047-002 | 1 |
| 19 | Washer-Flat, 1/2 | 8641-581-026 | 1 |
| 20 | Washer-Lock, Ext. tooth, 1/2 | 8641-582-016 | 1 |
| 21 | Bolt-3/4, 1/2-13x1/14 | 9545-017-009 | 1 |
| 22 | Belt, Driven | 9040-073-011 | 1 |
| 23 | Thermostat-Overtemp, Reset | 9576-207-006 | 1 |



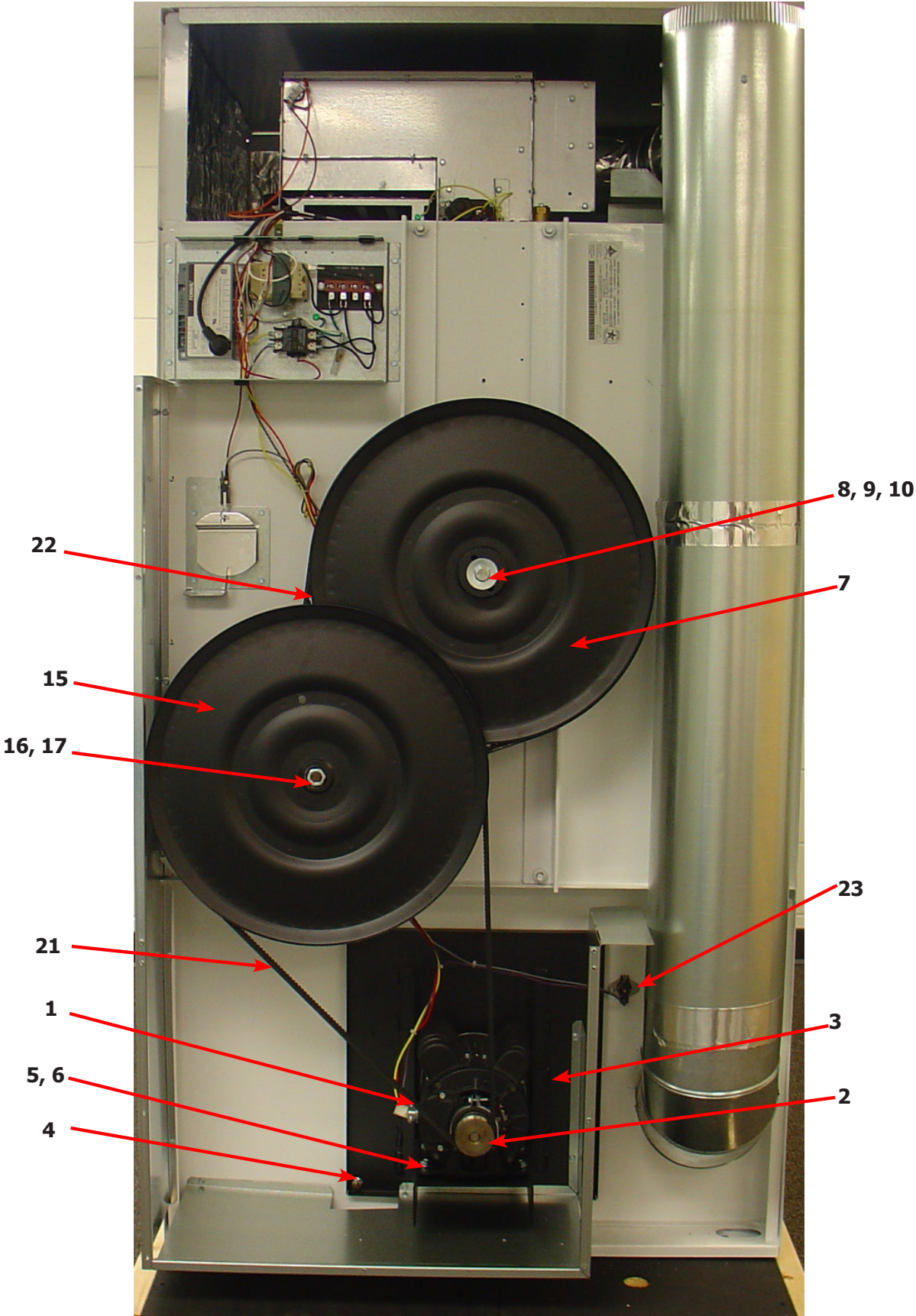
Dryer Rear View 50 Lb



| Key | Description | T-80 | QTY |
|-----|----------------------------------|--------------|-----|
| 1 | Motor | 9376-317-003 | 1 |
| 2 | Pulley | 9453-157-001 | 1 |
| * | Set screw | 9545-028-013 | 1 |
| 3 | Plate, Motor mounting | 9982-372-002 | 1 |
| * | Gasket, Motor Plate | 9206-428-001 | 1 |
| 4 | Nut-3/8-16, Plate to cabinet | 8640-415-004 | 4 |
| * | Impeller w/set screw | 9278-037-003 | 1 |
| 5 | Screw, 5/16-18x5/8 | 9545-014-004 | 4 |
| 6 | Nut, 35/16-18 | 8640-400-003 | 4 |
| * | Tolerance Ring | 9487-234-001 | 1 |
| 7 | Pulley, Driven | 9908-043-002 | 1 |
| 8 | Washer-Flat, 1/2 | 8641-581-026 | 1 |
| 9 | Washer-Lock, Ext. tooth, 1/2 | 8641-582-016 | 1 |
| 10 | Bolt-3/4, 1/2-13x1/14 | 9545-017-009 | 1 |
| 11 | Support Arm, Intermediate pulley | 9991-053-002 | 1 |
| 12 | Bolt- 3/8-16x1 1/4 | 9545-029-010 | 3 |
| 13 | Nut, Wizlock, 3/8x16 | 8640-415-004 | 3 |
| * | Cap Screw, 3/8-16x1 1/2 | 9545-029-012 | 1 |
| * | Snap Ring | 9487-200-003 | 1 |
| * | Washer-Flat, 3/8x1 | 8641-581-035 | 1 |
| 14 | Idler Arm Assembly | 9861-024-002 | 1 |
| * | Snap Ring | 9487-200-006 | |
| * | Washer-Flat, 3/8x1 | 8641-581-039 | 1 |
| 15 | Pulley, Idler w/Bearings | 9908-042-006 | 1 |
| * | Snpring, Inside-Bearing | 9487-238-005 | 1 |
| * | Bearing, Ball | 9036-159-007 | 2 |
| * | Spacer, Bearing | 9538-173-002 | 1 |
| 16 | Washer-Flat | 8641-581-039 | 1 |
| 17 | Nut, 5/8-11 | 8640-425-002 | 1 |
| 18 | Hook "S" type | 9248-022-002 | 3 |
| 19 | Chain, Spring tension | 9099-012-002 | 1 |
| 20 | Spring, tension | 9534-151-000 | 1 |
| 21 | Belt Drive | 9040-076-011 | 1 |
| 22 | Belt, Driven | 9040-073-012 | 1 |
| 23 | Thermostat-Overtemp, Reset | 9576-207-006 | 1 |

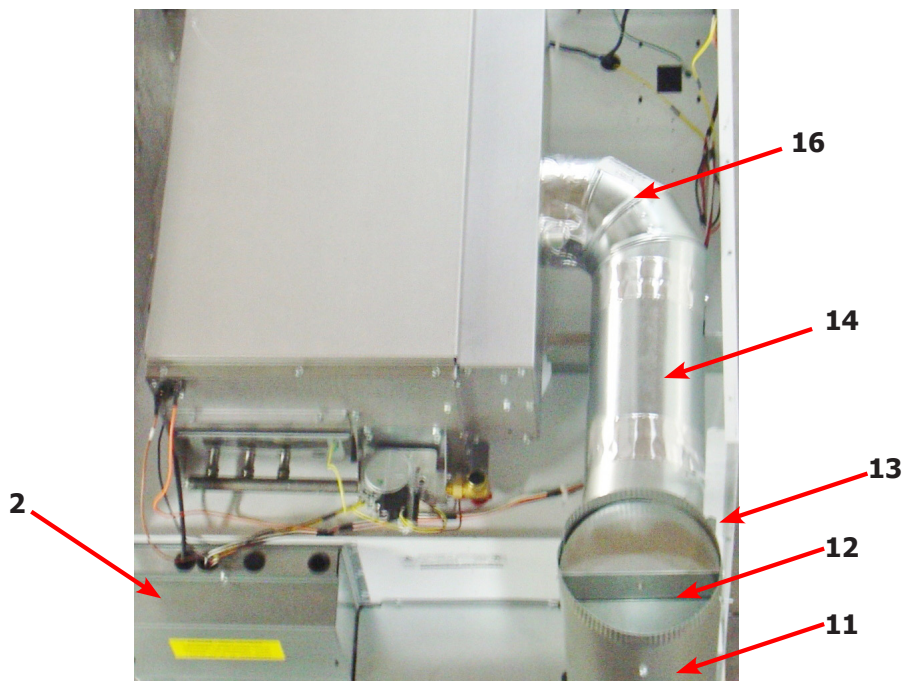


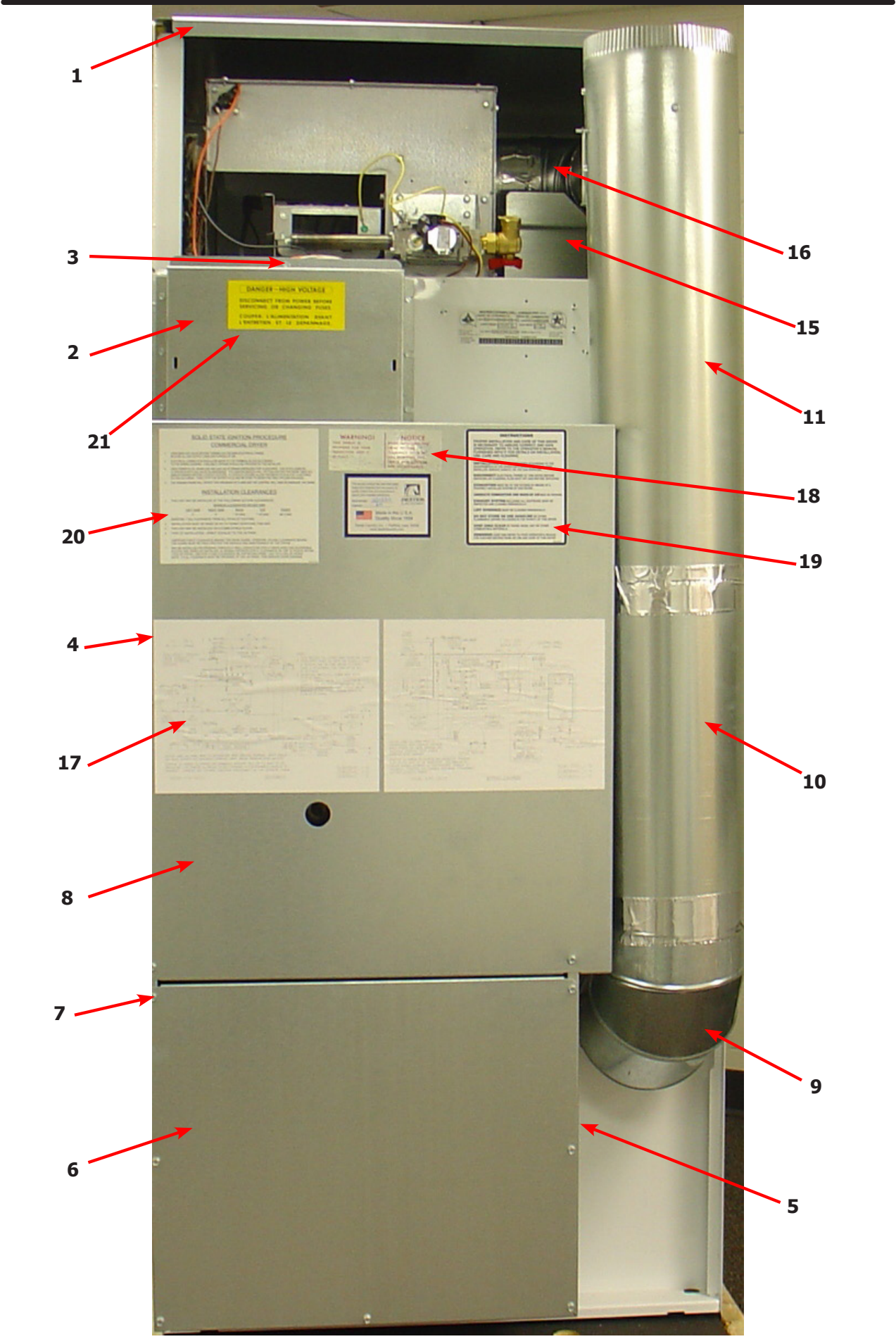
Dryer Rear View 80 Lb



Dryer Rear View-Guard & Exhaust

| Key | Description | T-30 | T-50 | T80 | QTY |
|-----|-----------------------------------|--------------|--------------|--------------|-----|
| 1 | Cover Cabinet | 9074-347-001 | 9074-348-001 | 9074-349-001 | 1 |
| * | Screw-5/16, 10ABx3/8 | 9545-008-024 | 9545-008-024 | 9545-008-024 | AR |
| 2 | Cover-Control Box | 9074-346-001 | 9074-346-001 | 9074-346-001 | 1 |
| 3 | Screw-5/16, 10ABx3/8 | 9545-008-024 | 9545-008-024 | 9545-008-024 | AR |
| 4 | Guard, RH | 9208-093-001 | 9208-097-001 | 9208-101-001 | 1 |
| * | Screw-5/16, 10ABx3/8 | 9545-008-024 | 9545-008-024 | 9545-008-024 | AR |
| 5 | Guard Base & LH | 9208-094-001 | 9208-098-001 | 9208-102-001 | 1 |
| * | Screw-5/16, 10ABx3/8 | 9545-008-024 | 9545-008-024 | 9545-008-024 | AR |
| 6 | Guard-Lower | 9208-095-001 | 9208-099-001 | 9208-103-001 | 1 |
| 7 | Screw-5/16, 10ABx3/8 | 9545-008-024 | 9545-008-024 | 9545-008-024 | AR |
| 8 | Guard-upper | 9208-096-001 | 9208-100-001 | 9208-104-001 | 1 |
| * | Screw-5/16, 10ABx3/8 | 9545-008-024 | 9545-008-024 | 9545-008-024 | AR |
| 9 | Elbow-90 degree, 8" | 9142-039-001 | 9142-039-001 | 9142-039-001 | 1 |
| 10 | Pipe-Duct, 8" | 9109-121-001 | 9109-121-001 | 9109-121-002 | 1 |
| 11 | Tee-Duct, Recirculation, 8"-6" | 9810-018-001 | 9810-018-001 | 9810-019-001 | 1 |
| 12 | Damper | 9125-002-001 | 9125-002-001 | 9125-008-001 | 1 |
| * | Pin-Damper, Hinge | 9451-146-002 | 9451-146-002 | 9451-146-002 | 1 |
| * | Nut-Spring | 8520-141-000 | 8520-141-000 | 8520-141-000 | 2 |
| 13 | Bracket-Recirculation Duct, Small | 9029-228-001 | 9029-228-001 | 9029-228-001 | 1 |
| 14 | Pipe-Duct, 6" | 9109-122-001 | 9109-122-002 | 9109-122-003 | 1 |
| 15 | Bracket-Duct, Recirculation Large | 9029-246-001 | 9029-247-001 | 9029-247-001 | 1 |
| 16 | Elbow-90 degree, 6" | 9142-039-002 | 9142-039-002 | 9142-039-002 | 1 |
| * | Booklet-Owners | 8514-208-001 | 8514-208-001 | 8514-208-001 | 1 |
| 17 | Diagram & Schematics | 9506-474-001 | 9506-474-001 | 9506-474-001 | 1 |
| 18 | Label-Warning & Notice | 8502-600-001 | 8502-600-001 | 8502-600-001 | 1 |
| 19 | Label-Instructions | 8502-645-001 | 8502-645-001 | 8502-645-001 | 1 |
| 20 | Decal-Lighting & Clearance | 8527-151-001 | 8527-151-001 | 8527-151-001 | 1 |
| 21 | Label-High Voltage | 8502-614-001 | 8502-614-001 | 8502-614-001 | 1 |





1

3

2

21

20

4

17

8

7

6

16

15

11

18

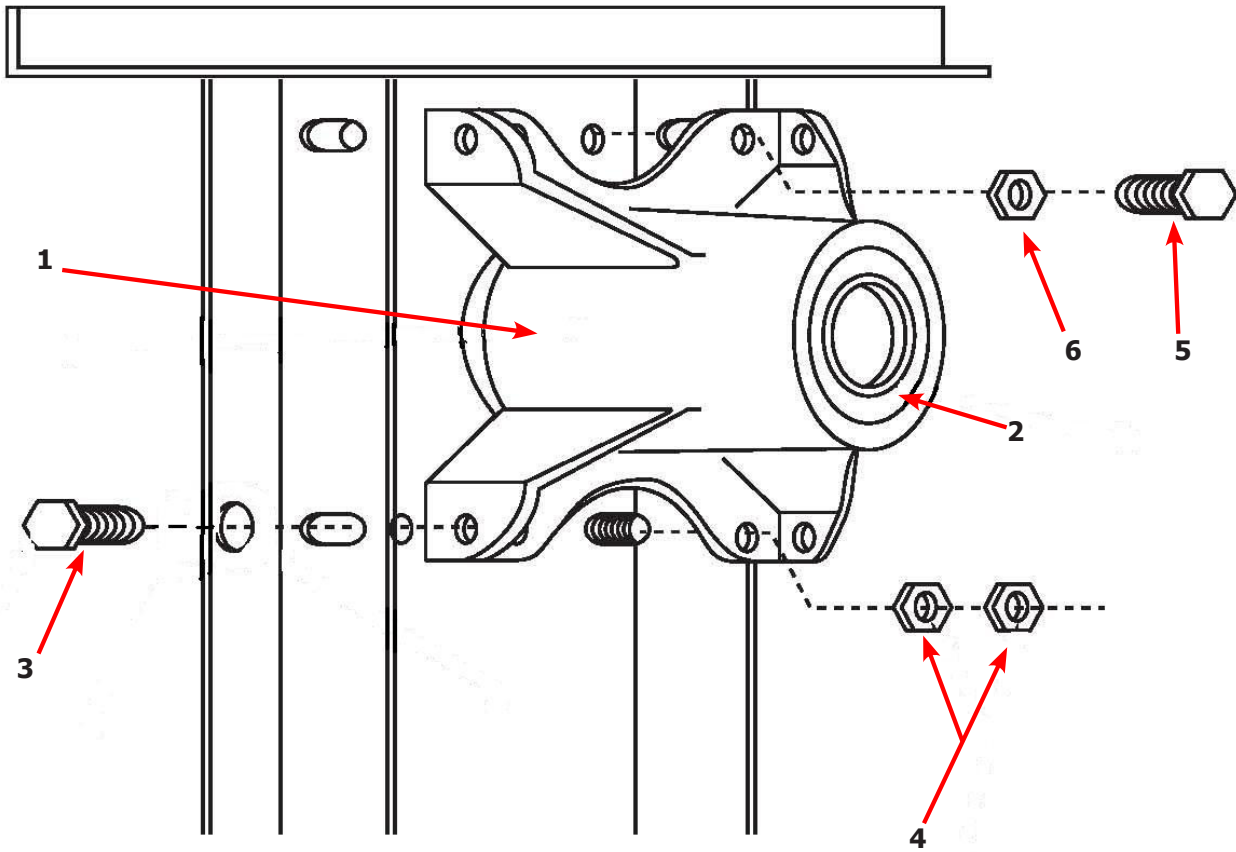
19

10

9

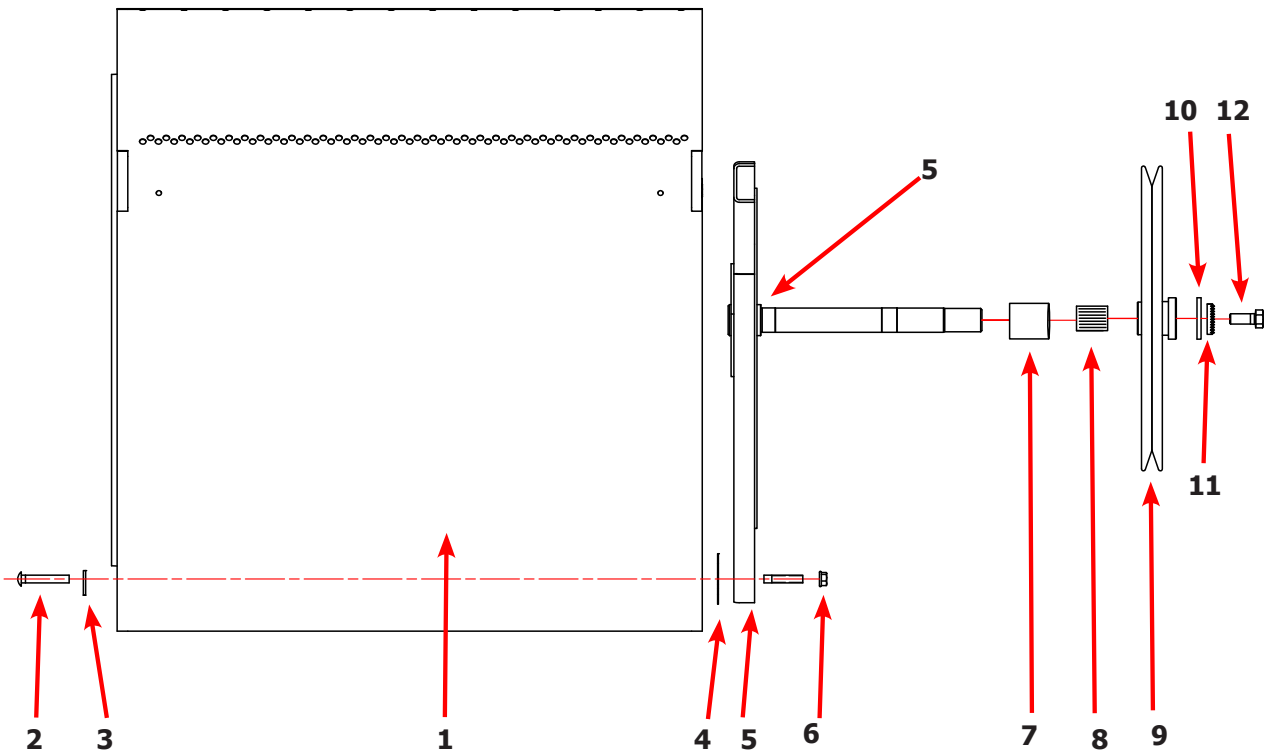
5

Dryer Rear View-Bearing Housing 30Lb



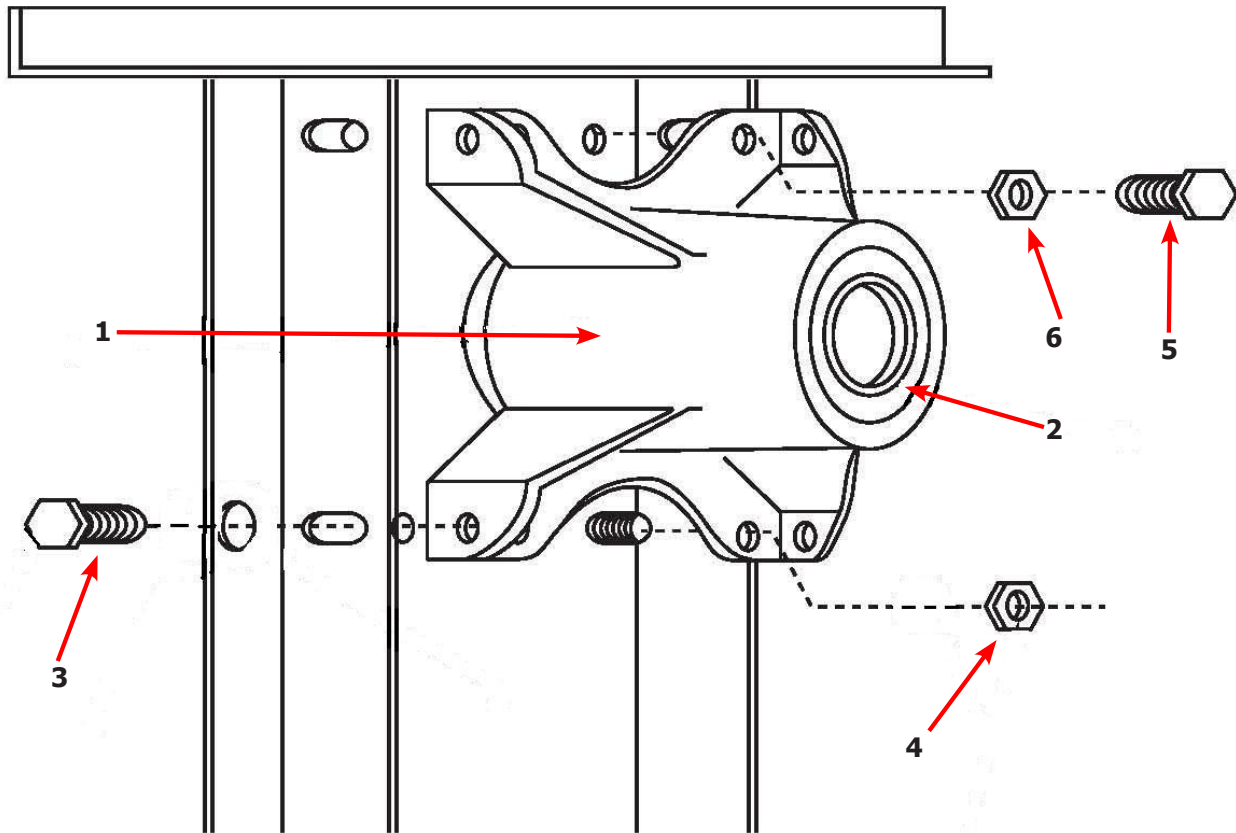
| Key | Description | T-30 | QTY |
|-----|--|--------------|-----|
| * | Bearing Housing Complete Assy (Includes bearings & Spacer) | 9803-160-003 | 1 |
| 1 | Housing, Bearing | 9241-161-002 | 1 |
| * | Bearing, Ball, Front | 9036-130-001 | 1 |
| * | Spacer, Bearing | 9538-139-002 | 1 |
| 2 | Bearing, Ball, Rear | 9036-130-001 | 1 |
| 3 | Screw-Wizlock, 3/8-24x3/4 | 9545-049-002 | 4 |
| 4 | Nut, 5/16-18 | 8640-400-002 | 4 |
| 5 | Screw, 3/8-24x1 | 9545-049-001 | 2 |
| 6 | Nut, 3/8-24 | 8640-415-002 | 2 |
| * | Shim, Tumbler | 9538-139-002 | AR |

Dryer Tumbler Group 30Lb



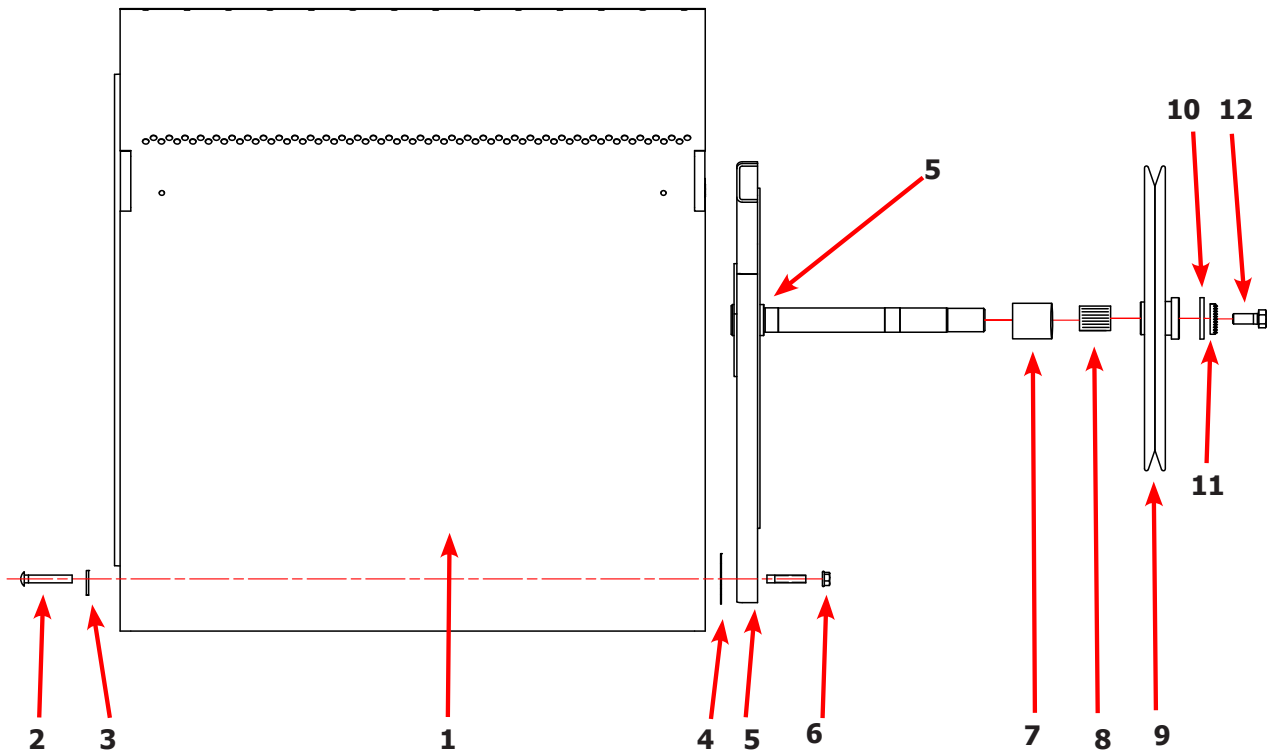
| Key | Description | T-30 | QTY |
|-----|--|--------------|-----|
| * | Tumbler Assy Complete W/Spider (GALV) | 9848-142-001 | 1 |
| 1 | Tumbler Assy (Galvanized) | 9848-126-001 | 1 |
| 1 | Tumbler Assy Complete W/Spider (SS & Galv front) | 9848-142-002 | 1 |
| 1 | Tumbler Assy (Stainless Galvanized front) | 9848-126-002 | 1 |
| 2 | Rod, Tumbler | 9497-019-003 | 3 |
| 3 | Washer, Special | 8641-554-001 | 3 |
| 4 | Shim | 9552-013-000 | AR |
| 5 | Spider Assy | 9568-015-001 | 1 |
| 6 | Nut, Wiz Lock | 8640-415-004 | 3 |
| 7 | Spacer-Shaft | 9538-164-002 | 1 |
| 8 | Tolerance Ring | 9487-234-005 | 1 |
| 9 | Pulley, Driven | 9908-049-002 | 1 |
| 10 | Washer -Flat | 8641-581-026 | 1 |
| 11 | LockWasher - IntTooth, 1" | 8641-582-016 | 1 |
| 12 | Screw, 1/2-13x1 1/4 | 9545-017-009 | 1 |

Dryer Rear View-Bearing Housing 50Lb



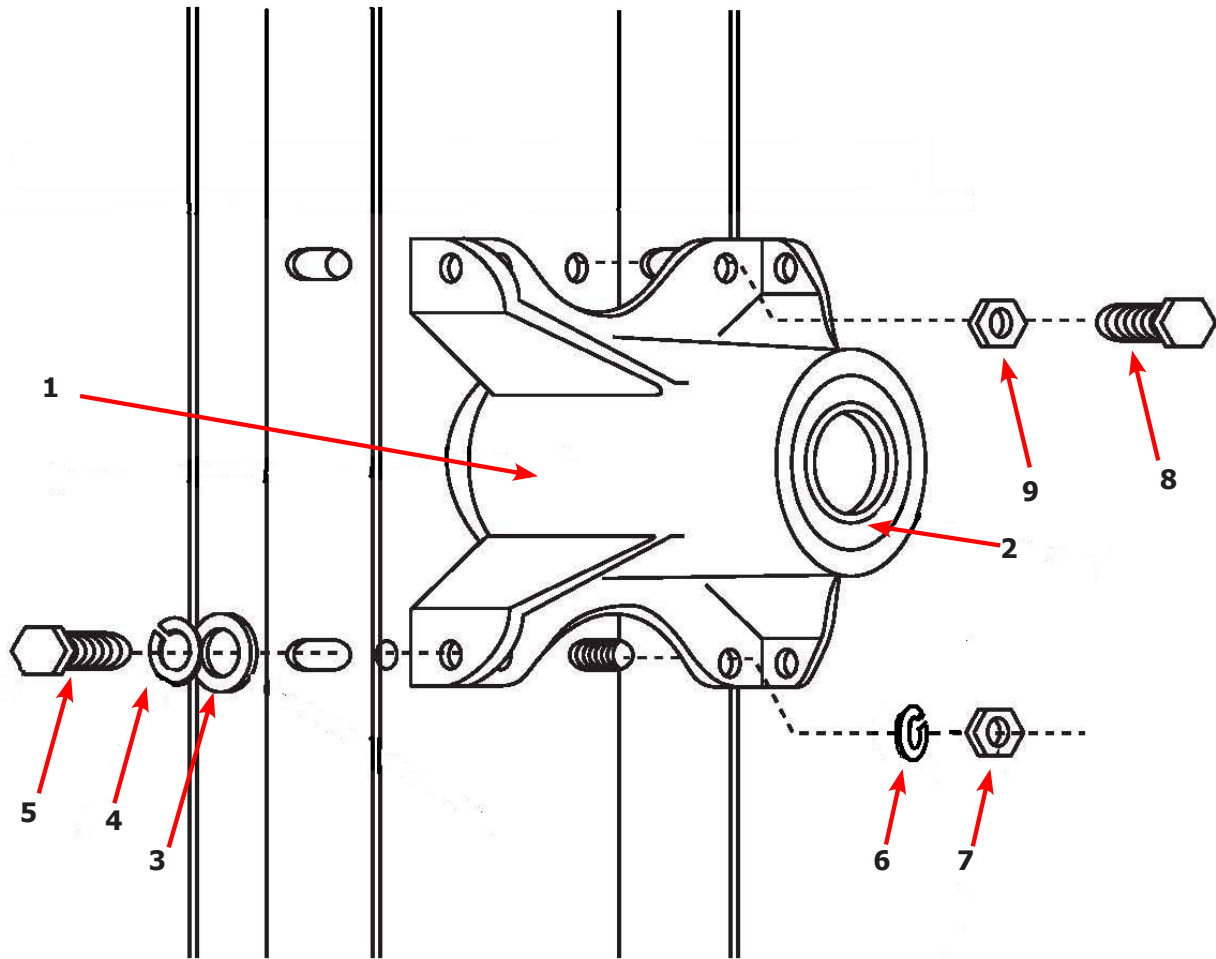
| Key | Description | T-50 | QTY |
|-----|--|--------------|-----|
| | Bearing Housing Complete Assy (Includes bearings & Spacer) | 9803-201-001 | 1 |
| 1 | Housing, Bearing | 9241-189-002 | 1 |
| * | Bearing, Ball, Front | 9036-159-001 | 1 |
| * | Spacer, Bearing | 9538-183-001 | 1 |
| 2 | Bearing, Ball, Rear | 9036-159-003 | 1 |
| 3 | Screw-Wizlock, 1/2-13x3/4 | 9545-017-017 | 4 |
| 4 | Nut, 1/2-13 | 8640-417-002 | 2 |
| 5 | Screw, 1/2-13x1 1/2 | 9545-017-018 | 2 |
| 6 | Nut, 1/2-13 | 8640-417-002 | 2 |

Dryer Tumbler Group 50Lb



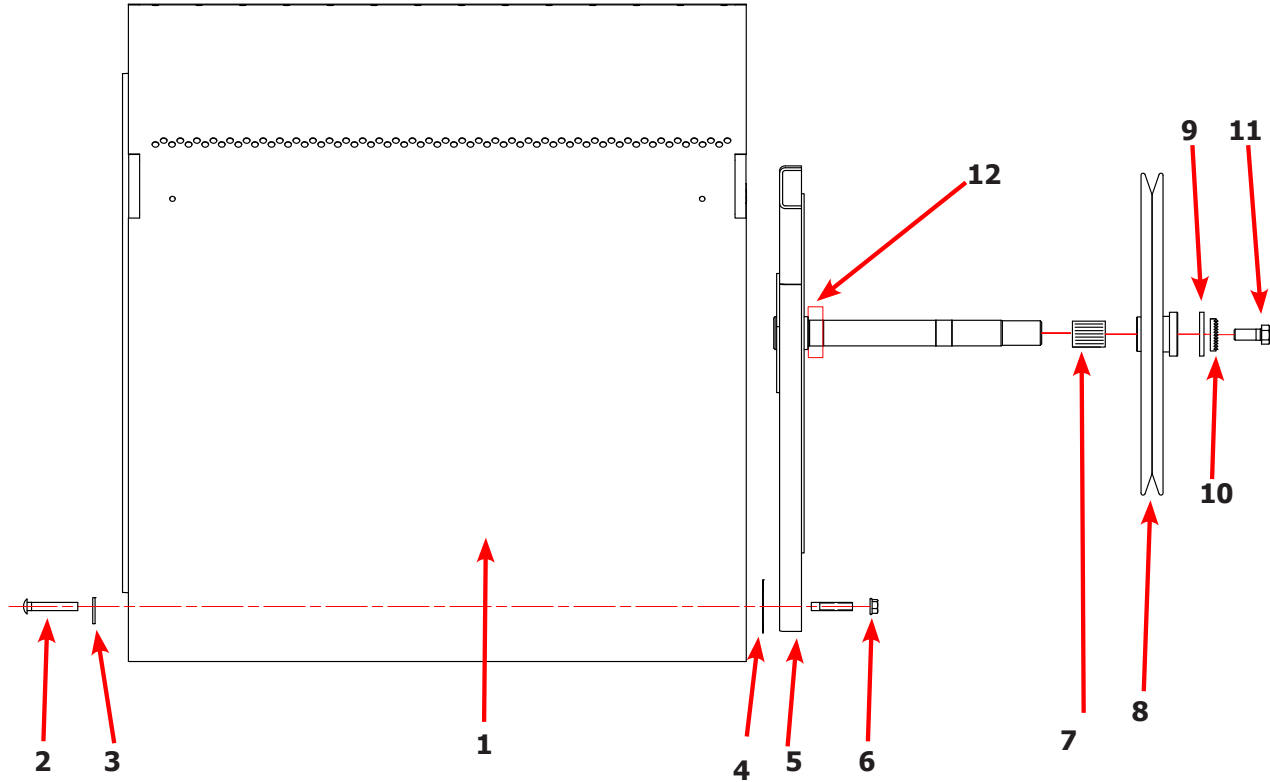
| Key | Description | T-50 | QTY |
|-----|--|--------------|-----|
| * | Tumbler Assy Complete W/Spider (GALV) | 9848-131-001 | 1 |
| 1 | Tumbler Assy (Galvanized) | 9848-130-001 | 1 |
| * | Tumbler Assy Complete W/Spider (SS & Galv front) | 9848-131-002 | 1 |
| 1 | Tumbler Assy (Stainless Galvanized front) | 9848-130-002 | 1 |
| 2 | Rod, Tumbler | 9497-226-002 | 3 |
| 3 | Washer, Special | 8641-590-002 | 3 |
| 4 | Shim | 9552-013-000 | AR |
| 5 | Spider Assy | 9568-013-001 | 1 |
| 6 | Nut, Wiz Lock | 8640-417-005 | 3 |
| 7 | Spacer-Shaft | 9538-184-001 | 1 |
| 8 | Tolerance Ring | 9487-234-005 | 1 |
| 9 | Pulley, Driven | 9908-047-002 | 1 |
| 10 | Washer -Flat | 8641-581-026 | 1 |
| 11 | LockWasher - IntTooth, 1'' | 8641-582-016 | 1 |
| 12 | Screw, 1/2-13x1 1/4 | 9545-017-009 | 1 |

Dryer Rear View-Bearing Housing 80Lb



| Key | Description | T80 | QTY |
|-----|--|--------------|-----|
| | Bearing Housing Complete Assy (Includes bearings & Spacer) | 9803-189-001 | |
| 1 | Housing, Bearing | 9241-183-003 | |
| * | Bearing, Ball, Front | 9036-159-001 | |
| * | Spacer, Bearing | | |
| 2 | Bearing, Ball, Rear | 9036-159-002 | |
| 3 | Washer, Flat 1/2 | 8641-581-026 | |
| 4 | Lock Washer Spring, 1/2 | 8641-582-004 | |
| 5 | Screw, 1/2-13x1 | 9545-017-004 | |
| 6 | Lock Washer Spring, 1/2 | 8641-582-004 | |
| 7 | Nut, 7/16-14 | 8640-416-001 | |
| 8 | Screw, 7/16-14x1 1/2 | 9545-059-003 | |
| 9 | Nut, 7/16-14 | 8641-416-001 | |

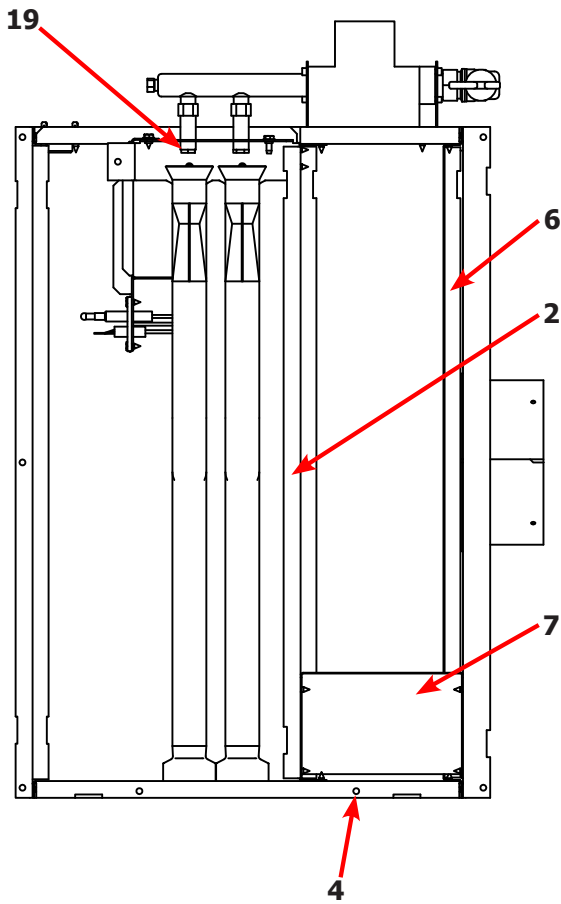
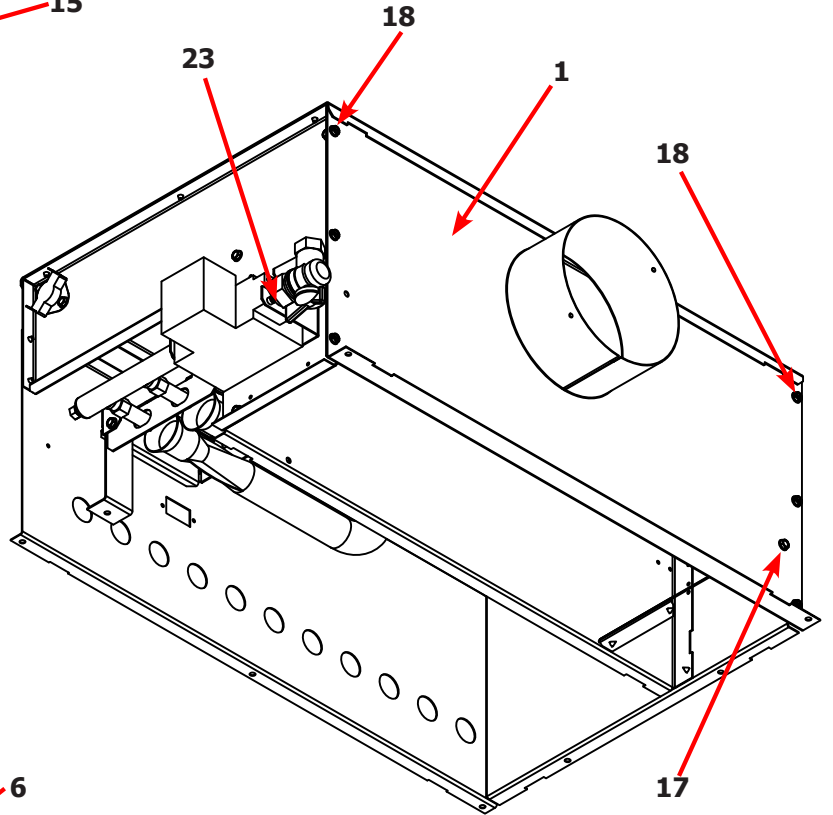
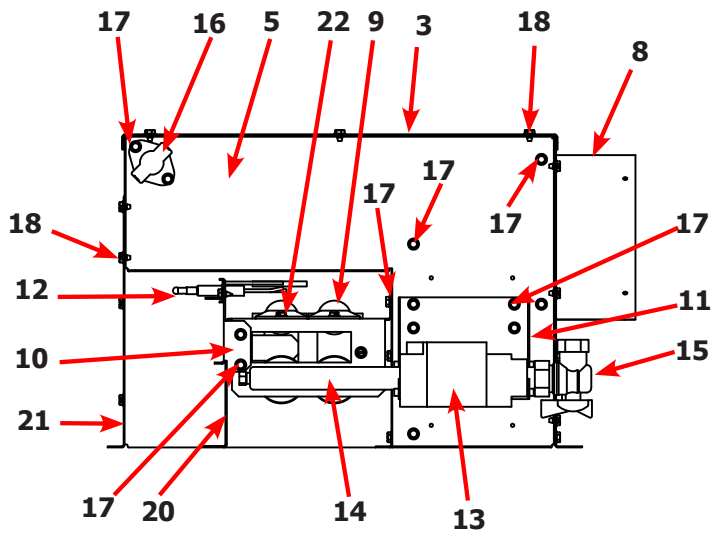
Dryer Tumbler Group 80Lb



| Key | Description | T80 | QTY |
|-----|--|--------------|-----|
| * | Tumbler Assy Complete W/Spider (GALV) | 9848-139-001 | 1 |
| 1 | Tumbler Assy (Galvanized) | 9848-138-001 | 1 |
| 1 | Tumbler Assy Complete W/Spider (SS & Galv front) | 9848-139-002 | 1 |
| 1 | Tumbler Assy (Stainless Galvanized front) | 9848-138-002 | 1 |
| 2 | Rod, Tumbler | 9497-266-001 | 4 |
| 3 | Washer, Special | 8641-590-001 | 4 |
| 4 | Shim | 9552-013-000 | AR |
| 5 | Spider Assy w/Front Bearing | 9873-008-001 | 1 |
| 6 | Nut, Wiz Lock | 8640-417-005 | 4 |
| 7 | Tolerance Ring | 9487-234-001 | 1 |
| 8 | Pulley, Driven | 9908-043-002 | 1 |
| 9 | Washer -Flat | 8641-581-026 | 1 |
| 10 | LockWasher - IntTooth, 1" | 8641-582-016 | 1 |
| 11 | Screw, 1/2-13x1 1/4 | 9545-017-009 | 1 |
| 12 | Bearing, Front | 9036-159-002 | 1 |

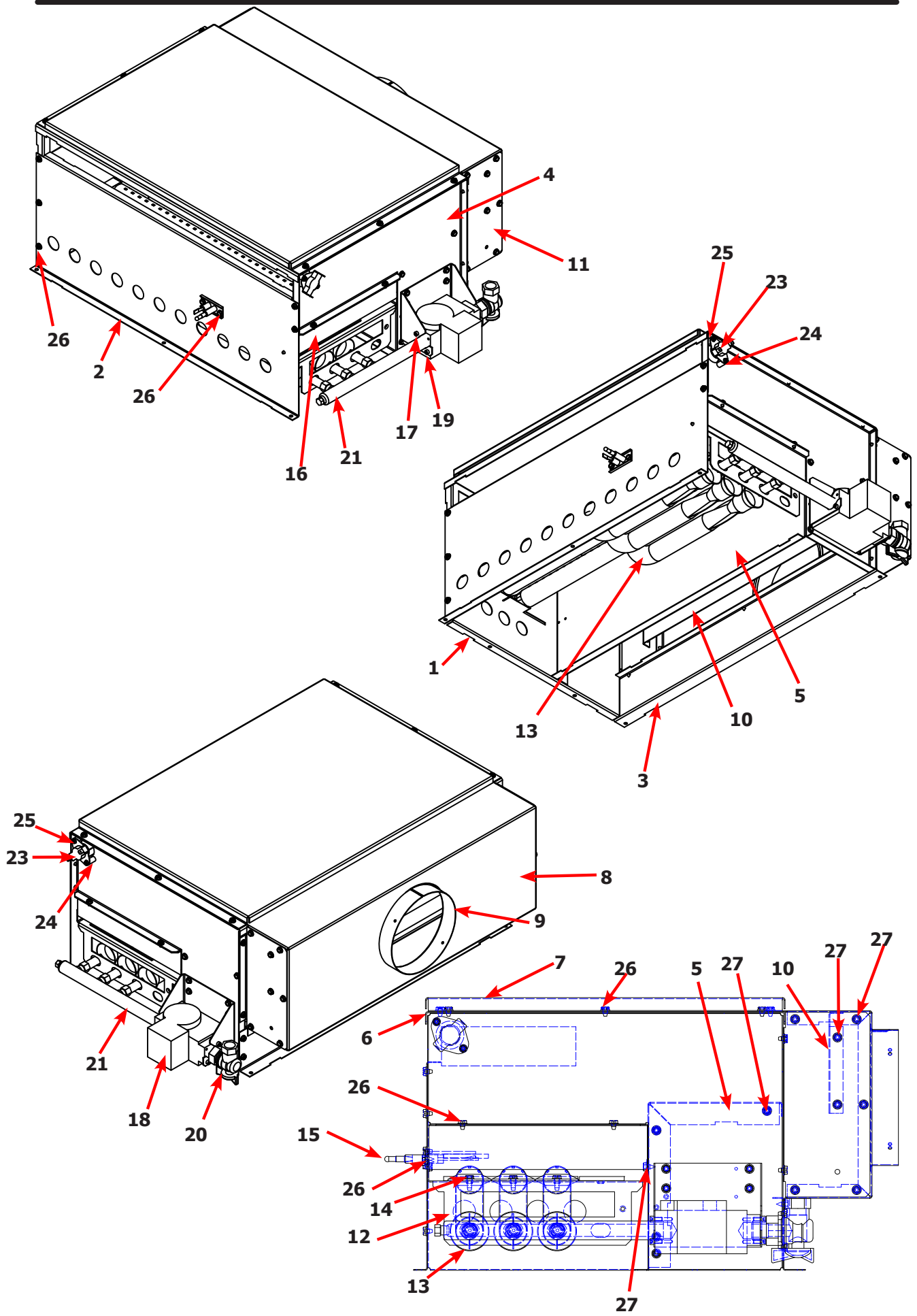
Dryer Burner Housing Group 30Lb

| Key | Description | Part Number | Qty |
|-----|---|--------------|-----|
| * | Housing Assembly, Burner | 9803-210-001 | 1 |
| 1 | Panel-Burner Housing, Side Left | 9454-845-001 | 1 |
| 2 | Baffle-Burner Housing, Center | 9049-091-001 | 1 |
| 3 | Panel-Burner Housing, Top | 9454-871-001 | 1 |
| 4 | Panel-Burner Housing, Front | 9454-847-001 | 1 |
| 5 | Panel-Burner Housing, Back | 9454-848-001 | 1 |
| 6 | Baffle-Burner Housing, Recirculation | 9049-092-001 | 1 |
| 7 | Baffle-Burner Housing, Front | 9049-093-001 | 1 |
| 8 | Duct Adaptor, 6"x3" long | 9109-120-001 | 1 |
| 9 | Burner, Main | 9048-021-001 | 2 |
| 10 | Bracket-Support, Electrode | 9029-214-001 | 1 |
| 11 | Bracket-Support, Gas Valve | 9029-227-001 | 1 |
| 12 | Electrode-Ignition | 9875-002-003 | 1 |
| 13 | Control Assy,Gas Valve, White Rodgers 36J | 9857-192-001 | 1 |
| 14 | Manifold Assy | 9381-009-007 | 1 |
| 15 | Valve-Gas Shutoff, | 9379-196-001 | 1 |
| 16 | Thermostat-HI-Limit | 9576-203-002 | |
| 17 | Screw, 10ABx3/8 | 9545-008-024 | 24 |
| 18 | Screw, 10ABx1/4 | 9545-008-001 | 17 |
| 19 | Orfice-Natural, .125 | 9425-069-023 | 2 |
| * | Orfice-LP, #48 | 9425-069-003 | 2 |
| * | Kit, LP Conversion, White Rodgers | 9732-102-018 | 1 |
| 20 | Bracket-Support, Burner | 9029-225-001 | 1 |
| 21 | Panel-Burner Housing, Side Right | 9454-861-001 | 1 |
| 22 | Screw, 10-32TTx1/2 Green | 9545-008-027 | 3 |
| 23 | Screw, 8-32x3/8 | 9545-010-014 | 4 |



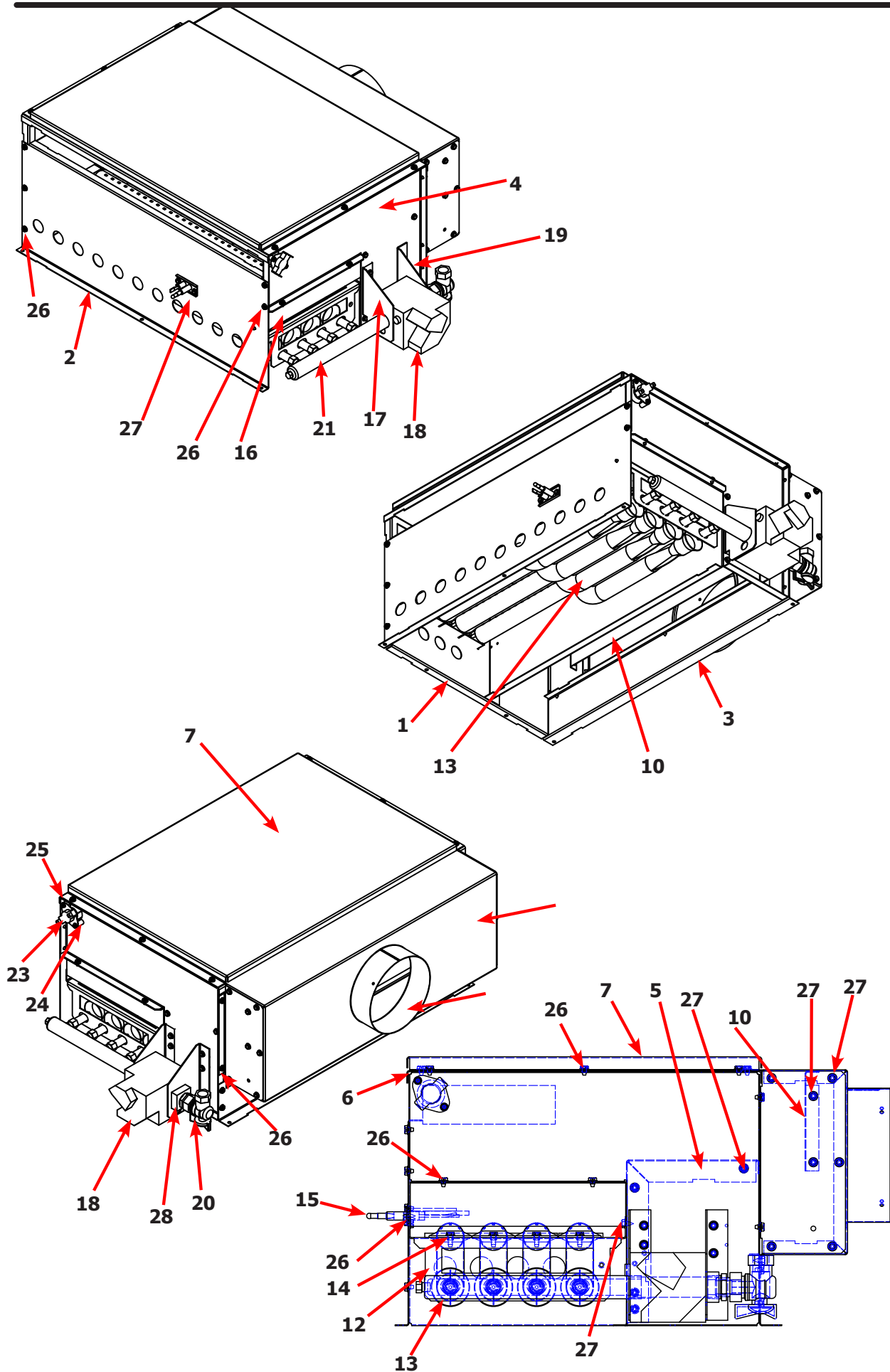
Dryer Burner Housing Group 50Lb

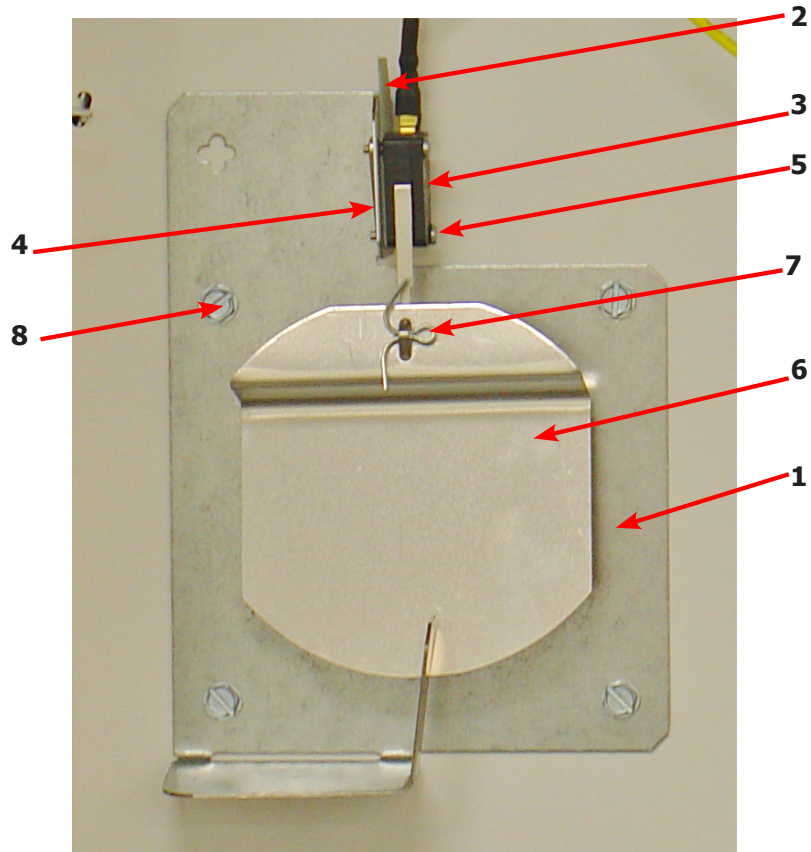
| Key | Description | Part Number | Qty |
|-----|---|--------------|-----|
| | Housing Assembly, Burner | 9803-211-001 | 1 |
| 1 | Panel-Burner Housing, Front | 9454-863-001 | 1 |
| 2 | Panel-Burner Housing, Side Right | 9454-861-001 | 1 |
| 3 | Panel-Burner Housing, Side Left | 9454-862-001 | 1 |
| 4 | Panel-Burner Housing, Back | 9454-864-001 | 1 |
| 5 | Baffle-Burner Housing, Center | 9049-098-001 | 1 |
| 6 | Panel-Burner Housing, Top | 9454-849-001 | 1 |
| 7 | Panel-Burner Housing, Top | 9074-343-001 | 1 |
| 8 | Baffle-Burner Housing, Extention | 9049-100-001 | 1 |
| 9 | Duct Adaptor, 6"x1.25" long | 9109-120-003 | 1 |
| 10 | Baffle-Burner Housing, Recirculation | 9049-099-001 | 1 |
| 11 | Side-Extention Baffle, Burner Housing | 9551-049-001 | 2 |
| 12 | Bracket-Support, Burner | 9029-213-001 | 1 |
| 13 | Burner, Main | 9048-021-001 | 3 |
| 14 | Screw, 10T-32x1/2 | 9545-008-008 | 3 |
| 15 | Electrode-Ignition | 9875-002-003 | 1 |
| 16 | Cover-Burner, Intet | 9074-344-001 | 1 |
| 17 | Bracket-Support, Gas Valve | 9029-227-001 | 1 |
| 18 | Control Assy,Gas Valve, White Rodgers 36J | 9857-192-001 | 1 |
| 19 | Screw, #8-32x3/8 | 9545-010-014 | 4 |
| 20 | Valve-Gas Shutoff, | 9379-196-001 | 1 |
| 21 | Manifold Assy | 9381-010-003 | 1 |
| * | Orfice-Natural, #30 | 9425-069-002 | 3 |
| * | Orfice-LP, #48 | 9425-069-003 | 3 |
| * | Kit, LP Conversion, White Rodgers | 9732-102-017 | 1 |
| 23 | Thermostat-HI-Limit | 9576-203-002 | 1 |
| 24 | Spacer-1/4x5/8 long | 9538-166-009 | 2 |
| 25 | Screw-8Bx1 | 9545-045-013 | 2 |
| 26 | Screw, 10Bx1/4 | 9545-008-001 | 22 |
| 27 | Screw, 10ABx3/8 | 9545-008-024 | 31 |



Dryer Burner Housing Group 80Lb

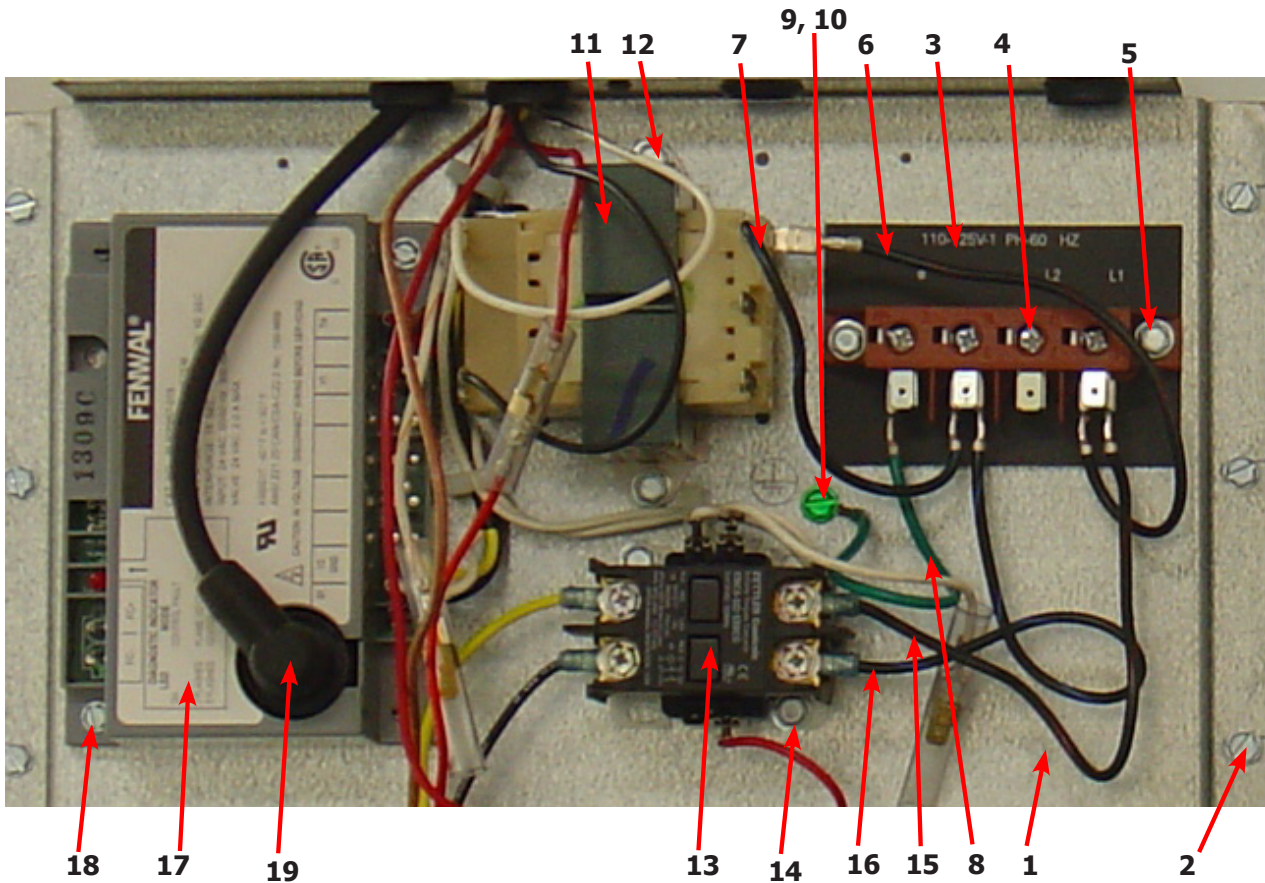
| Key | Description | Part Number | Qty |
|-----|---|--------------|-----|
| | Housing Assembly, Burner | 9803-212-001 | 1 |
| 1 | Panel-Burner Housing, Front | 9454-863-001 | 1 |
| 2 | Panel-Burner Housing, Side Right | 9454-861-001 | 1 |
| 3 | Panel-Burner Housing, Side Left | 9454-862-001 | 1 |
| 4 | Panel-Burner Housing, Back | 9454-864-001 | 1 |
| 5 | Baffle-Burner Housing, Center | 9049-098-001 | 1 |
| 6 | Panel-Burner Housing, Top | 9454-849-001 | 1 |
| 7 | Panel-Burner Housing, Top | 9074-343-001 | 1 |
| 8 | Baffle-Burner Housing, Extention | 9049-100-001 | 1 |
| 9 | Duct Adaptor, 6"x1.25" long | 9109-120-002 | 1 |
| 10 | Baffle-Burner Housing, Recirculation | 9049-099-001 | 1 |
| 11 | Side-Extention Baffle, Burner Housing | 9551-049-001 | 2 |
| 12 | Bracket-Support, Burner | 9029-213-001 | 1 |
| 13 | Burner, Main | 9048-021-001 | 4 |
| 14 | Screw, 10T-32x1/2 | 9545-008-008 | 4 |
| 15 | Electrode-Ignition | 9875-002-003 | 1 |
| 16 | Cover-Burner, Intet | 9074-344-001 | 1 |
| 17 | Bracket-Support, Gas Valve | 9029-234-001 | 1 |
| 18 | Control Assy,Gas Valve, White Rodgers 36J | 9857-193-001 | 1 |
| 19 | Bracket-support, Gas Valve Left hand | 9029-235-001 | 4 |
| 20 | Valve-Gas Shutoff, | 9379-196-001 | 1 |
| 21 | Manifold Assy | 9381-014-001 | 1 |
| 22 | Orfice-Natural, #29 | 9425-069-021 | 3 |
| * | Orfice-LP, #46 | 9425-069-022 | 3 |
| * | Kit, LP Conversion, White Rodgers | 9732-102-023 | 1 |
| 23 | Thermostat-HI-Limit | 9576-203-002 | 1 |
| 24 | Spacer-1/4x5/8 long | 9538-166-009 | 2 |
| 25 | Screw-8Bx1 | 9545-045-013 | 2 |
| 26 | Screw, 10Bx1/4 | 9545-008-001 | 22 |
| 27 | Screw, 10ABx3/8 | 9545-008-024 | 31 |
| 28 | Bushing-Reducer, 3/4x1/2 | 8615-104-009 | 1 |





| Key | Description | T-30 | T-50 | T80 | QTY |
|-----|--------------------------|--------------|--------------|--------------|-----|
| * | Air Flow switch Assy | 9801-095-001 | 9801-098-001 | 9801-098-001 | 1 |
| 1 | Bracket-Airflow switch | 9029-174-001 | 9029-200-001 | 9029-200-001 | 1 |
| 2 | Shield-Switch | 9550-169-003 | 9550-169-003 | 9550-169-003 | 1 |
| 3 | Switch-Micro | 9539-461-009 | 9539-461-009 | 9539-461-009 | 1 |
| 4 | Nut-Twin, 4-40 | 8640-401-001 | 8640-401-001 | 8640-401-001 | 1 |
| 5 | Screw-.625, 4-40 | 9545-020-001 | 9545-020-001 | 9545-020-001 | 2 |
| 6 | Actuator-Air Flow Switch | 9008-007-001 | 9008-007-001 | 9008-007-001 | 1 |
| 7 | Pin-Cotter, .09375x.75 | 9451-169-002 | 9451-169-002 | 9451-169-002 | 1 |
| 8 | Screw, 10Bx1/4 | 9545-008-001 | | | 4 |
| 8 | Screw, 10Bx1/4 | | 9545-008-001 | 9545-008-001 | 5 |

Electrical Box / Ignition Control



| Key | Description | T-30 | T-50 | T80 | QTY |
|-----|----------------------------------|--------------|--------------|--------------|-----|
| 1 | Wrapper-Control Box | 9636-200-001 | 9636-200-001 | 9636-200-001 | 1 |
| 2 | Screw, 5/16-10AB-3/8 | 9545-008-001 | 9545-008-001 | 9545-008-001 | 6 |
| * | Cover-Control Box | 9074-346-001 | 9074-346-001 | 9074-346-001 | 1 |
| * | Screw, 5/16-10AB-3/8 | 9545-008-024 | 9545-008-024 | 9545-008-024 | 1 |
| 3 | Strip-Marker, Terminal | 9558-029-005 | 9558-029-005 | 9558-029-005 | 1 |
| 4 | Terminal Block Assy-Power, 4Pole | 9897-035-001 | 9897-035-001 | 9897-035-001 | 1 |
| 5 | Screw, 5/16-10AB-3/8 | 9545-008-024 | 9545-008-024 | 9545-008-024 | 2 |
| 6 | Wire assy-Blk/Red, 6 1/2" | 8220-001-230 | 8220-001-230 | 8220-001-230 | 1 |
| 7 | Wire assy-Blk/Blu, 6 1/2" | 8220-001-231 | 8220-001-231 | 8220-001-231 | 1 |
| 8 | Wire Assy, GRN, 7" | 8220-001-478 | 8220-001-478 | 8220-001-478 | 1 |
| 9 | Screw- 10-32TTx1/2 GRN | 9545-008-027 | 9545-008-027 | 9545-008-027 | 1 |
| 10 | Lockwasher, External tooth | 8641-582-006 | 8641-582-006 | 8641-582-006 | 1 |
| 11 | Transformer, w/Circuit braker | 8711-007-002 | 8711-007-002 | 8711-007-002 | 1 |
| 12 | Screw, 5/16-10AB-3/8 | 9545-008-024 | 9545-008-024 | 9545-008-024 | 2 |
| 13 | Relay-Motor, 30Amp, 24VAC | 5192-299-002 | 5192-299-002 | 5192-299-002 | 1 |
| 14 | Screw, 5/16-10AB-3/8 | 9545-008-024 | 9545-008-024 | 9545-008-024 | 2 |
| 15 | Wire assy-Blk/Red, 9" | 8220-146-001 | 8220-146-001 | 8220-146-001 | 1 |
| 16 | Wire assy-Blk/Blu, 9" | 8220-146-002 | 8220-146-002 | 8220-146-002 | 1 |
| 17 | Control Assy, Ignition (Module) | 9857-182-001 | 9857-182-001 | 9857-182-001 | 1 |
| 18 | Screw-8Bx3/4" | 9545-045-007 | 9545-045-007 | 9545-045-007 | 2 |
| * | Harness, Ignition Module | 9627-867-003 | 9627-867-003 | 9627-867-003 | 1 |
| 19 | Wire Assy- High Voltage Lead | 9631-403-009 | 9631-403-009 | 9631-403-009 | 1 |

Section 6:

Electric Heated Dryer Parts Data

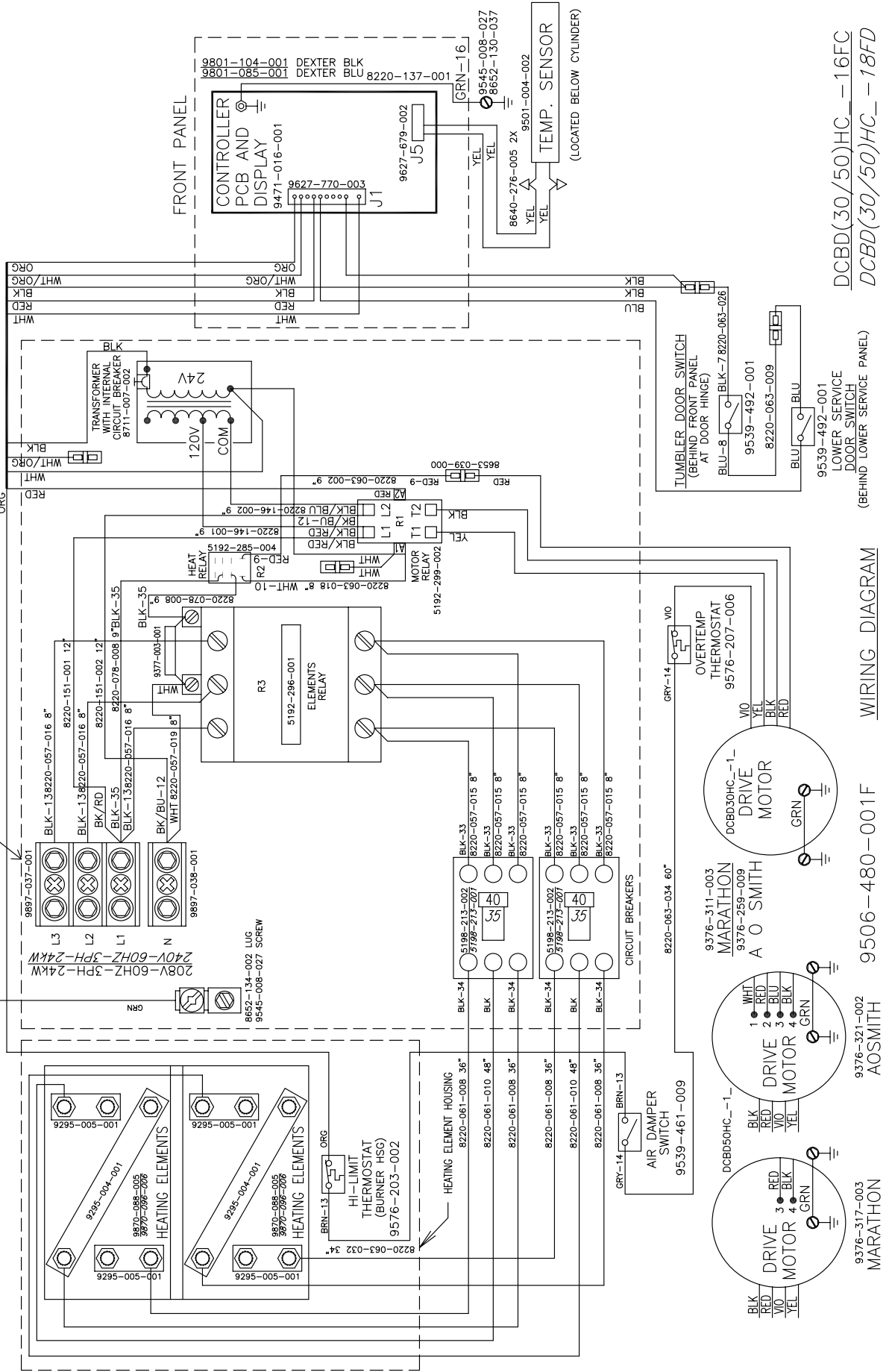
DCBD30, 50HC_-16FC, 208V/3 Phase/60HZ 24KW

| Key | Description | T-30 | T-50 | T80 | QTY |
|-----|-------------------------------|--------------|--------------|-----|-----|
| | Power-Block, 3 Pole | 9897-037-001 | 9897-037-001 | | 1 |
| | Power-Block, 1 Pole | 9897-038-001 | 9897-038-001 | | 1 |
| | Terminal-Lug, Solderless | 8652-134-002 | 8652-134-002 | | 1 |
| | Scrw-10-32TT x1/2 GRN | 9545-008-027 | 9545-008-027 | | 1 |
| | Wire Assy-BLK #13 8" | 8220-057-016 | 8220-057-016 | | 3 |
| | Wire Assy-BLK/RED, 12" | 8220-151-001 | 8220-151-001 | | 1 |
| | Wire Assy-BLK/BLU, #12, 12" | 8220-151-002 | 8220-151-002 | | 1 |
| | Wire Assy-BLK, #35, 9" | 8220-078-008 | 8220-078-008 | | 2 |
| | Wire Assy, WHT, 8" | 8220-057-019 | 8220-057-019 | | 1 |
| | Wire Assy-BLK/RED, #9, 9" | 8220-146-001 | 8220-146-001 | | 1 |
| | Wire Assy-BLK/BLU, #21, 9" | 8220-146-002 | 8220-146-002 | | 1 |
| | Transformer 120/24VAC | 8711-007-002 | 8711-007-002 | | 1 |
| | Relay, R1-Motor Run | 5192-299-002 | 5192-299-002 | | 1 |
| | Wire Assy-WHT, #10, 8" | 8220-063-018 | 8220-063-018 | | 1 |
| | Relay, R2-Heat relay | 5192-285-004 | 5192-285-004 | | 1 |
| | Varistor-Coil Suppressor | 9733-003-001 | 9733-003-001 | | 1 |
| | Relay, Elements | 5192-296-001 | 5192-296-001 | | 1 |
| | Wire Assy-BLK, #33, 8" | 8220-057-015 | 8220-057-015 | | 6 |
| | Curcit Breaker, 3-Pole, 40AMP | 5198-213-002 | 5198-213-002 | | 2 |
| | Wire Assy-BLK, #34, 36" | 8220-061-008 | 8220-061-008 | | 1 |
| | Wire Assy-BLK, #34, 48" | 8220-061-010 | 8220-061-010 | | 1 |
| | Heating Elements, 12KW, 208V | 9870-088-005 | 9870-088-005 | | 2 |
| | Jumper-Formed | 9295-004-001 | 9295-004-001 | | 2 |
| | Jumper-Formed | 9295-005-001 | 9295-005-001 | | 4 |

INFORMATIVE 6102-018-165

CONTROL ENCL.
(BACK PANEL)

GRN EXTERNAL GROUND



DCBD(30/50)HC -16FC
DCBD(30/50)HC -18FD

9539-492-001
LOWER SERVICE DOOR SWITCH (BEHIND LOWER SERVICE PANEL)

WIRING DIAGRAM

9506-480-001F

AOSMITH

MARATHON

DCBD30, 50HC_-18FD, 240V/3 Phase/60HZ 24KW

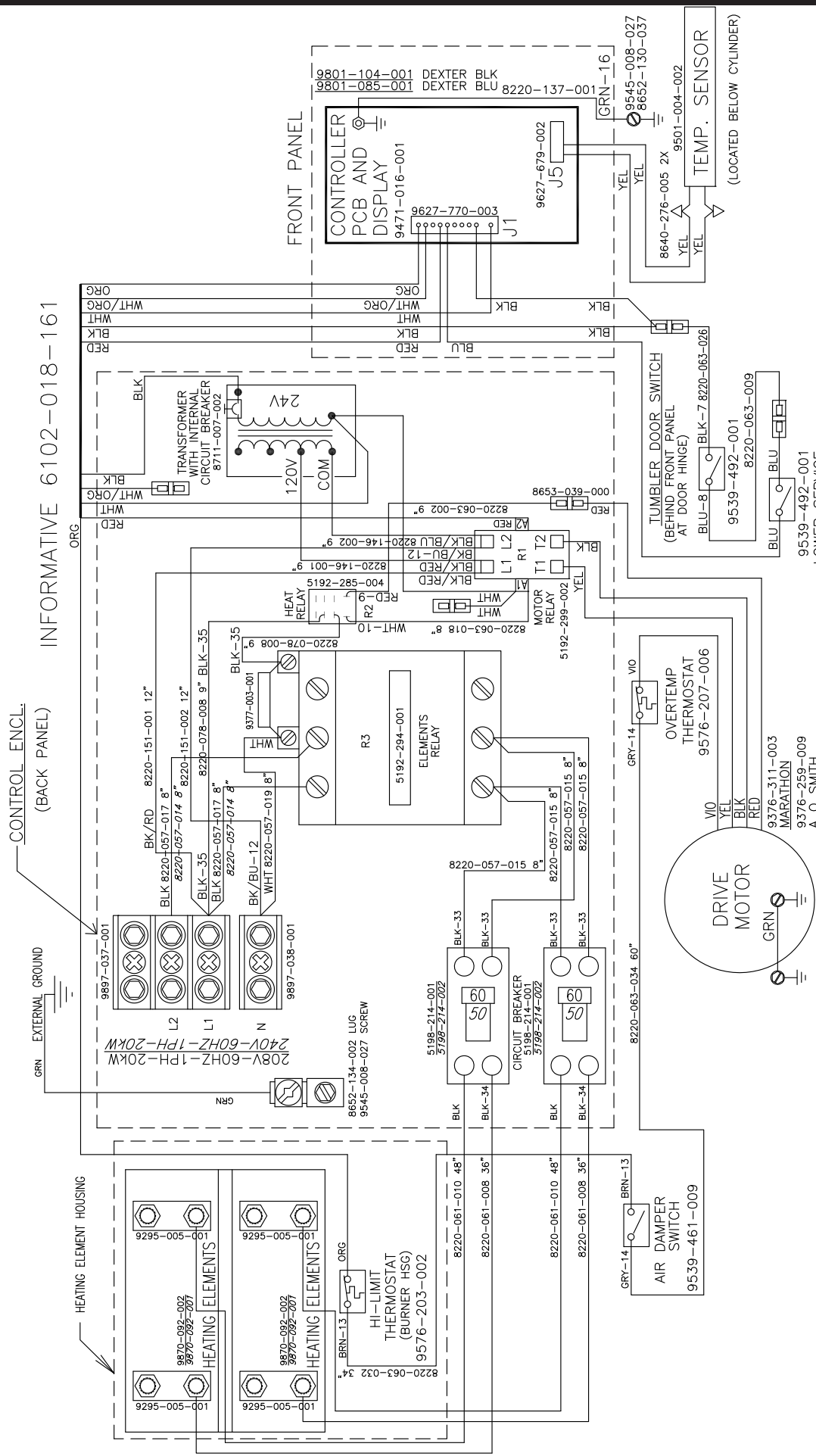
| Key | Description | T-30 | T-50 | T80 | QTY |
|-----|--------------------------------|--------------|--------------|-----|-----|
| | Power-Block, 3 Pole | 9897-037-001 | 9897-037-001 | | 1 |
| | Power-Block, 1 Pole | 9897-038-001 | 9897-038-001 | | 1 |
| | Terminal-Lug, Solderless | 8652-134-002 | 8652-134-002 | | 1 |
| | Screw-10-32TT x1/2 GRN | 9545-008-027 | 9545-008-027 | | 1 |
| | Wire Assy-BLK #13 8" | 8220-057-016 | 8220-057-016 | | 3 |
| | Wire Assy-BLK/RED, 12" | 8220-151-001 | 8220-151-001 | | 1 |
| | Wire Assy-BLK/BLU, #12, 12" | 8220-151-002 | 8220-151-002 | | 1 |
| | Wire Assy-BLK, #35, 9" | 8220-078-008 | 8220-078-008 | | 2 |
| | Wire Assy, WHT, 8" | 8220-057-019 | 8220-057-019 | | 1 |
| | Wire Assy-BLK/RED, #9, 9" | 8220-146-001 | 8220-146-001 | | 1 |
| | Wire Assy-BLK/BLU, #21, 9" | 8220-146-002 | 8220-146-002 | | 1 |
| | Transformer 120/24VAC | 8711-007-002 | 8711-007-002 | | 1 |
| | Relay, R1-Motor Run | 5192-299-002 | 5192-299-002 | | 1 |
| | Wire Assy-WHT, #10, 8" | 8220-063-018 | 8220-063-018 | | 1 |
| | Relay, R2-Heat relay | 5192-285-004 | 5192-285-004 | | 1 |
| | Varistor-Coil Suppressor | 9733-003-001 | 9733-003-001 | | 1 |
| | Relay, Elements | 5192-296-001 | 5192-296-001 | | 1 |
| | Wire Assy-BLK, #33, 8" | 8220-057-015 | 8220-057-015 | | 6 |
| | Curcuit Breaker, 3-Pole, 35AMP | 5198-213-001 | 5198-213-001 | | 2 |
| | Wire Assy-BLK, #34, 36" | 8220-061-008 | 8220-061-008 | | 1 |
| | Wire Assy-BLK, #34, 48" | 8220-061-010 | 8220-061-010 | | 1 |
| | Heating Elements, 12KW, 208V | 9870-096-006 | 9870-096-006 | | 2 |
| | Jumper-Formed | 9295-004-001 | 9295-004-001 | | 2 |
| | Jumper-Formed | 9295-005-001 | 9295-005-001 | | 4 |

DCBD30HC_-60FA, 208V/1 Phase/60HZ 20KW

| Key | Description | T-30 | T-50 | T80 | QTY |
|-----|-------------------------------|--------------|------|-----|-----|
| | Power-Block, 3 Pole | 9897-037-001 | | | 1 |
| | Power-Block, 1 Pole | 9897-038-001 | | | 1 |
| | Terminal-Lug, Solderless | 8652-134-002 | | | 1 |
| | Screw-10-32TT x1/2 GRN | 9545-008-027 | | | 1 |
| | Wire Assy-BLK 8" | 8220-057-017 | | | 3 |
| | Wire Assy-BLK/RED, 12" | 8220-151-001 | | | 2 |
| | Wire Assy-BLK/BLU, #12, 12" | 8220-151-002 | | | 1 |
| | Wire Assy-BLK, #35, 9" | 8220-078-008 | | | 1 |
| | Wire Assy, WHT, 8" | 8220-057-019 | | | 1 |
| | Wire Assy-BLK/RED, #9, 9" | 8220-146-001 | | | 1 |
| | Wire Assy-BLK/BLU, #21, 9" | 8220-146-002 | | | 1 |
| | Transformer 120/24VAC | 8711-007-002 | | | 1 |
| | Relay, R1-Motor Run | 5192-299-002 | | | 1 |
| | Wire Assy-WHT, #10, 8" | 8220-063-018 | | | 1 |
| | Relay, R2-Heat relay | 5192-285-004 | | | 1 |
| | Wire Assy, BLK, #35, 9" | 8220-078-008 | | | 1 |
| | Varistor-Coil Suppressor | 9733-003-001 | | | 1 |
| | Relay, Elements | 5192-294-001 | | | 1 |
| | Wire Assy-BLK, #33, 8" | 8220-057-015 | | | 4 |
| | Curcit Breaker, 2-Pole, 60AMP | 5198-214-001 | | | 2 |
| | Wire Assy-BLK, #34, 36" | 8220-061-008 | | | 2 |
| | Wire Assy-BLK, #34, 48" | 8220-061-008 | | | 2 |
| | Heating Elements, 10KW, 208V | 8220-092-002 | | | 2 |
| | Jumper-Formed | 9295-005-001 | | | 4 |

DCBD30HC_-61FB, 240V/1 Phase/60HZ 20KW

| Key | Description | T-30 | T-50 | T80 | QTY |
|-----|-------------------------------|--------------|------|-----|-----|
| | Power-Block, 3 Pole | 9897-037-001 | | | 1 |
| | Power-Block, 1 Pole | 9897-038-001 | | | 1 |
| | Terminal-Lug, Solderless | 8652-134-002 | | | 1 |
| | Screw-10-32TT x1/2 GRN | 9545-008-027 | | | 1 |
| | Wire Assy-BLK 8" | 8220-057-017 | | | 3 |
| | Wire Assy-BLK/RED, 12" | 8220-151-001 | | | 2 |
| | Wire Assy-BLK/BLU, #12, 12" | 8220-151-002 | | | 1 |
| | Wire Assy-BLK, #35, 9" | 8220-078-008 | | | 1 |
| | Wire Assy, WHT, 8" | 8220-057-019 | | | 1 |
| | Wire Assy-BLK/RED, #9, 9" | 8220-146-001 | | | 1 |
| | Wire Assy-BLK/BLU, #21, 9" | 8220-146-002 | | | 1 |
| | Transformer 120/24VAC | 8711-007-002 | | | 1 |
| | Relay, R1-Motor Run | 5192-299-002 | | | 1 |
| | Wire Assy-WHT, #10, 8" | 8220-063-018 | | | 1 |
| | Relay, R2-Heat relay | 5192-285-004 | | | 1 |
| | Wire Assy, BLK, #35, 9" | 8220-078-008 | | | 1 |
| | Varistor-Coil Suppressor | 9733-003-001 | | | 1 |
| | Relay, Elements | 5192-294-001 | | | 1 |
| | Wire Assy-BLK, #33, 8" | 8220-057-015 | | | 4 |
| | Curcit Breaker, 2-Pole, 60AMP | 5198-214-002 | | | 2 |
| | Wire Assy-BLK, #34, 36" | 8220-061-008 | | | 2 |
| | Wire Assy-BLK, #34, 48" | 8220-061-008 | | | 2 |
| | Heating Elements, 10KW, 208V | 8220-092-001 | | | 2 |
| | Jumper-Formed | 9295-005-001 | | | 4 |



INFORMATIVE 6102-018-161

CONTROL ENCL.
(BACK PANEL)

HEATING ELEMENT HOUSING

FRONT PANEL

9506-478-001B

WIRING DIAGRAM

(BEHIND LOWER SERVICE PANEL)

DCBD30HC_--60FA
DCBD30HC_--61FB

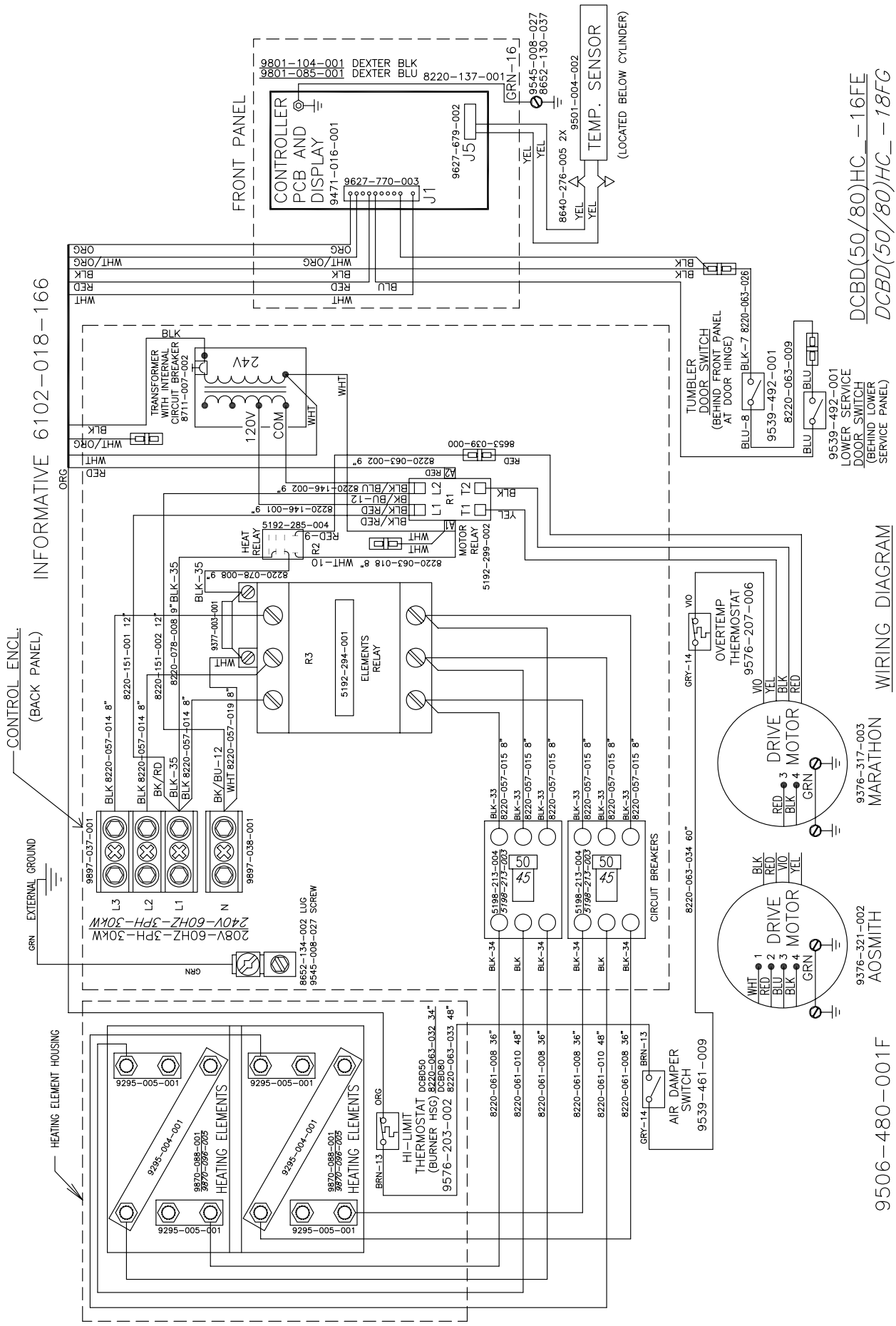
(LOCATED BELOW CYLINDER)

DCBD50, 80HC_-64FN, 400V/3 Phase/50HZ 22KW

| Key | Description | T-30 | T-50 | T80 | QTY |
|-----|-------------------------------|--------------|--------------|--------------|-----|
| | Power-Block, 3 Pole | 9897-037-001 | 9897-037-001 | 9897-037-001 | 1 |
| | Power-Block, 1 Pole | 9897-038-001 | 9897-038-001 | 9897-038-001 | 1 |
| | Terminal marker | 9558-032-001 | 9558-032-001 | 9558-032-001 | 1 |
| | Terminal-Lug, Solderless | 8652-134-002 | 8652-134-002 | 8652-134-002 | 1 |
| | Screw-10-32TT x1/2 GRN | 9545-008-027 | 9545-008-027 | 9545-008-027 | 1 |
| | Wire Assy-BLK #1, 11" | 8220-064-013 | 8220-064-013 | 8220-064-013 | 1 |
| | Wire Assy-BLU #2, 11" | 8220-064-061 | 8220-064-061 | 8220-064-061 | 1 |
| | Wire Assy-BLK #13 8" | 8220-057-016 | 8220-057-016 | 8220-057-016 | 3 |
| | Line Filter-EMI | 9183-030-001 | 9183-030-001 | 9183-030-001 | 1 |
| | Transformer 250/24VAC | 8711-008-002 | 8711-008-002 | 8711-008-002 | 1 |
| | Wire Assy-BLK/RED, 17" | 8220-150-003 | 8220-150-003 | 8220-150-003 | 1 |
| | Wire Assy-BLK/BLU, #12, 12" | 8220-151-002 | 8220-151-002 | 8220-151-002 | 1 |
| | Wire Assy-BLK/RED, 11" | 8220-147-001 | 8220-147-001 | 8220-147-001 | 1 |
| | Wire Assy-BLK/BLU, 11" | 8220-147-002 | 8220-147-002 | 8220-147-002 | 1 |
| | Relay, R1-Motor Run | 5192-299-002 | 5192-299-002 | 5192-299-002 | 1 |
| | Wire Assy-WHT, 10" | 8220-063-018 | 8220-063-018 | 8220-063-018 | 1 |
| | Wire Assy-WHT 9" | 8220-063-002 | 8220-063-002 | 8220-063-002 | 1 |
| | Relay, R2-Heat relay | 5192-285-004 | 5192-285-004 | 5192-285-004 | 1 |
| | Wire Assy-BLK, 9" | 8220-078-008 | 8220-078-008 | 8220-078-008 | 1 |
| | Varistor-Coil Suppressor | 9733-003-001 | 9733-003-001 | 9733-003-001 | 1 |
| | Relay, Elements | 5192-291-002 | 5192-291-002 | 5192-291-002 | 1 |
| | Wire Assy-BLK, #33, 8" | 8220-057-015 | 8220-057-015 | 8220-057-015 | 6 |
| | Curcit Breaker, 3-Pole, 25AMP | 5198-215-002 | 5198-215-002 | 5198-215-002 | 2 |
| | Wire Assy-BLK, #34, 36" | 8220-061-008 | 8220-061-008 | 8220-061-008 | 6 |
| | Heating Elements, 12KW, 208V | 9870-096-006 | 9870-096-006 | 9870-096-006 | 2 |
| | Jumper-Formed | 9295-006-001 | 9295-006-001 | 9295-006-001 | 2 |

DCBD50, 80HC_-16FE, 208V/3 Phase/60HZ 30KW

| Key | Description | T-30 | T-50 | T80 | QTY |
|-----|--------------------------------|------|--------------|--------------|-----|
| | Power-Block, 3 Pole | | 9897-037-001 | 9897-037-001 | 1 |
| | Power-Block, 1 Pole | | 9897-038-001 | 9897-038-001 | 1 |
| | Terminal marker | | 9558-032-001 | 9558-032-001 | 1 |
| | Terminal-Lug, Solderless | | 8652-134-002 | 8652-134-002 | 1 |
| | Screw-10-32TT x1/2 GRN | | 9545-008-027 | 9545-008-027 | 1 |
| | Wire Assy-BLK 9" | | 8220-078-008 | 8220-078-008 | 1 |
| | Wire Assy-BLK 8" | | 8220-057-014 | 8220-057-014 | 3 |
| | Wire Assy-WHT 8" | | 8220-057-019 | 8220-057-019 | |
| | Transformer 250/24VAC | | 8711-007-002 | 8711-007-002 | 1 |
| | Wire Assy-BLK/RED, 12" | | 8220-151-001 | 8220-151-001 | 1 |
| | Wire Assy-BLK/BLU, #12, 12" | | 8220-151-002 | 8220-151-002 | 1 |
| | Wire Assy-BLK/RED, 9" | | 8220-146-001 | 8220-146-001 | 1 |
| | Wire Assy-BLK/BLU, 9" | | 8220-146-002 | 8220-146-002 | 1 |
| | Relay, R1-Motor Run | | 5192-299-002 | 5192-299-002 | 1 |
| | Wire Assy-WHT, 10" | | 8220-063-018 | 8220-063-018 | 1 |
| | Relay, R2-Heat relay | | 5192-285-004 | 5192-285-004 | 1 |
| | Wire Assy-BLK, 9" | | 8220-078-008 | 8220-078-008 | 1 |
| | Varistor-Coil Suppressor | | 9733-003-001 | 9733-003-001 | 1 |
| | Relay, Elements | | 5192-294-001 | 5192-294-001 | 1 |
| | Wire Assy-BLK, #33, 8" | | 8220-057-015 | 8220-057-015 | 6 |
| | Curcit Breaker, 3-Pole, 25AMP | | 5198-213-004 | 5198-213-004 | 2 |
| | Wire Assy-BLK, #34, 36" | | 8220-061-008 | 8220-061-008 | 6 |
| | Wire Assy-BLK, #34, 48" | | 8220-061-010 | 8220-061-010 | 2 |
| | Heating Elements, 17.3KW, 208V | | 9870-088-001 | 9870-088-001 | 2 |
| | Jumper-Formed | | 9295-005-001 | 9295-005-001 | 4 |
| | Jumper-Formed | | 9295-004-001 | 9295-004-001 | 2 |
| | | | | | |



INFORMATIVE 6102-018-166

DCBD(50/80)HC-16FE
DCBD(50/80)HC-18FG

WIRING DIAGRAM

9376-317-003
MARATHON

9376-321-002
AOSMITH

9506-480-001F

DCBD50, 80HC_-18FG, 240V/3 Phase/60HZ 30KW

| Key | Description | T-30 | T-50 | T80 | QTY |
|-----|--------------------------------|------|--------------|--------------|-----|
| | Power-Block, 3 Pole | | 9897-037-001 | 9897-037-001 | 1 |
| | Power-Block, 1 Pole | | 9897-038-001 | 9897-038-001 | 1 |
| | Terminal marker | | 9558-032-001 | 9558-032-001 | 1 |
| | Terminal-Lug, Solderless | | 8652-134-002 | 8652-134-002 | 1 |
| | Screw-10-32TT x1/2 GRN | | 9545-008-027 | 9545-008-027 | 1 |
| | Wire Assy-BLK 9" | | 8220-078-008 | 8220-078-008 | 1 |
| | Wire Assy-BLK 8" | | 8220-057-014 | 8220-057-014 | 3 |
| | Wire Assy-WHT 8" | | 8220-057-019 | 8220-057-019 | |
| | Transformer 250/24VAC | | 8711-007-002 | 8711-007-002 | 1 |
| | Wire Assy-BLK/RED, 12" | | 8220-151-001 | 8220-151-001 | 1 |
| | Wire Assy-BLK/BLU, #12, 12" | | 8220-151-002 | 8220-151-002 | 1 |
| | Wire Assy-BLK/RED, 9" | | 8220-146-001 | 8220-146-001 | 1 |
| | Wire Assy-BLK/BLU, 9" | | 8220-146-002 | 8220-146-002 | 1 |
| | Relay, R1-Motor Run | | 5192-299-002 | 5192-299-002 | 1 |
| | Wire Assy-WHT, 10" | | 8220-063-018 | 8220-063-018 | 1 |
| | Relay, R2-Heat relay | | 5192-285-004 | 5192-285-004 | 1 |
| | Wire Assy-BLK, 9" | | 8220-078-008 | 8220-078-008 | 1 |
| | Varistor-Coil Suppressor | | 9733-003-001 | 9733-003-001 | 1 |
| | Relay, Elements | | 5192-294-001 | 5192-294-001 | 1 |
| | Wire Assy-BLK, #33, 8" | | 8220-057-015 | 8220-057-015 | 6 |
| | Curcit Breaker, 3-Pole, 25AMP | | 5198-213-003 | 5198-213-003 | 2 |
| | Wire Assy-BLK, #34, 36" | | 8220-061-008 | 8220-061-008 | 6 |
| | Wire Assy-BLK, #34, 48" | | 8220-061-010 | 8220-061-010 | 2 |
| | Heating Elements, 17.3KW, 208V | | 9870-088-005 | 9870-088-005 | 2 |
| | Jumper-Formed | | 9295-005-001 | 9295-005-001 | 4 |
| | Jumper-Formed | | 9295-004-001 | 9295-004-001 | 2 |

DCBD80HC_-16FH, 208V/3 Phase/60HZ 34.6KW

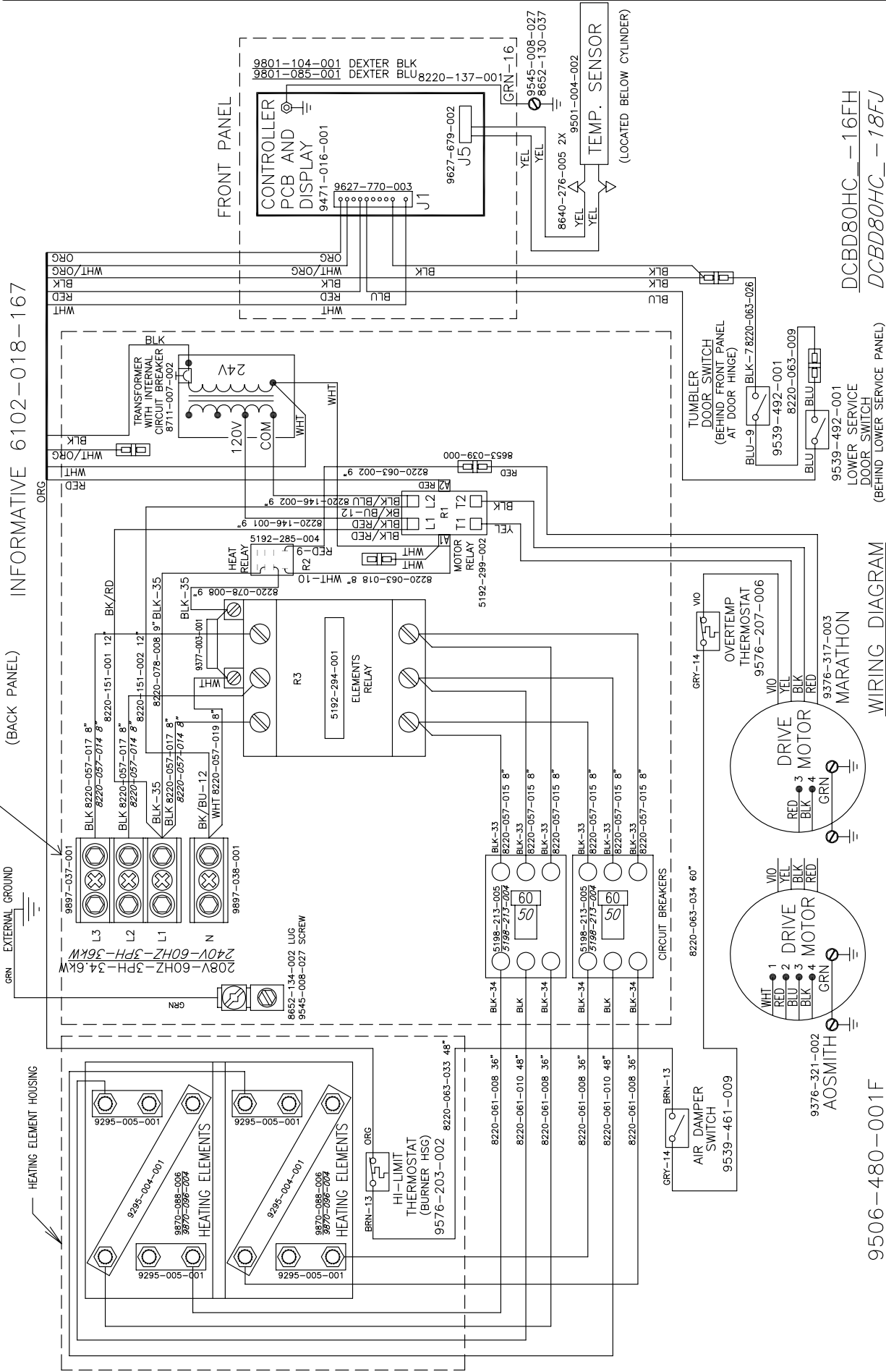
| Key | Description | T-30 | T-50 | T80 | QTY |
|-----|--------------------------------|------|------|----------------|-----|
| | Power-Block, 3 Pole | | | 9897-037-001 | 1 |
| | Power-Block, 1 Pole | | | 9897-038-001 | 1 |
| | Terminal marker | | | ? 9558-032-001 | 1 |
| | Terminal-Lug, Solderless | | | 8652-134-002 | 1 |
| | Screw-10-32TT x1/2 GRN | | | 9545-008-027 | 1 |
| | Wire Assy-BLK 9" | | | 8220-078-008 | 1 |
| | Wire Assy-BLU #2, 11" | | | 8220-064-061 | 1 |
| | Wire Assy-BLK 8" | | | 8220-057-017 | 3 |
| | Wire Assy-WHT 8" | | | 8220-057-019 | |
| | Transformer 250/24VAC | | | 8711-008-002 | 1 |
| | Wire Assy-BLK/RED, 12" | | | 8220-151-001 | 1 |
| | Wire Assy-BLK/BLU, #12, 12" | | | 8220-151-002 | 1 |
| | Wire Assy-BLK/RED, 9" | | | 8220-146-001 | 1 |
| | Wire Assy-BLK/BLU, 9" | | | 8220-146-002 | 1 |
| | Relay, R1-Motor Run | | | 5192-299-002 | 1 |
| | Wire Assy-WHT, 10" | | | 8220-063-018 | 1 |
| | Relay, R2-Heat relay | | | 5192-285-004 | 1 |
| | Wire Assy-BLK, 9" | | | 8220-078-008 | 1 |
| | Varistor-Coil Suppressor | | | 9733-003-001 | 1 |
| | Relay, Elements | | | 5192-294-001 | 1 |
| | Wire Assy-BLK, #33, 8" | | | 8220-057-015 | 6 |
| | Curcit Breaker, 3-Pole, 25AMP | | | 5198-213-005 | 2 |
| | Wire Assy-BLK, #34, 36" | | | 8220-061-008 | 6 |
| | Wire Assy-BLK, #34, 48" | | | 8220-061-010 | 2 |
| | Heating Elements, 17.3KW, 208V | | | 9870-088-006 | 2 |
| | Jumper-Formed | | | 9295-005-001 | 4 |
| | Jumper-Formed | | | 9295-004-001 | 2 |

DCBD80HC_-18FJ, 240V/3 Phase/60HZ 36KW

| Key | Description | T-30 | T-50 | T80 | QTY |
|-----|-------------------------------|------|------|----------------|-----|
| | Power-Block, 3 Pole | | | 9897-037-001 | 1 |
| | Power-Block, 1 Pole | | | 9897-038-001 | 1 |
| | Terminal marker | | | ? 9558-032-001 | 1 |
| | Terminal-Lug, Solderless | | | 8652-134-002 | 1 |
| | Scrw-10-32TT x1/2 GRN | | | 9545-008-027 | 1 |
| | Wire Assy-BLK 9" | | | 8220-078-008 | 1 |
| | Wire Assy-BLU #2, 11" | | | 8220-064-061 | 1 |
| | Wire Assy-BLK 8" | | | 8220-057-017 | 3 |
| | Wire Assy-WHT 8" | | | 8220-057-019 | |
| | Transformer 250/24VAC | | | 8711-008-002 | 1 |
| | Wire Assy-BLK/RED, 12" | | | 8220-151-001 | 1 |
| | Wire Assy-BLK/BLU, #12, 12" | | | 8220-151-002 | 1 |
| | Wire Assy-BLK/RED, 9" | | | 8220-146-001 | 1 |
| | Wire Assy-BLK/BLU, 9" | | | 8220-146-002 | 1 |
| | Relay, R1-Motor Run | | | 5192-299-002 | 1 |
| | Wire Assy-WHT, 10" | | | 8220-063-018 | 1 |
| | Relay, R2-Heat relay | | | 5192-285-004 | 1 |
| | Wire Assy-BLK, 9" | | | 8220-078-008 | 1 |
| | Varistor-Coil Suppressor | | | 9733-003-001 | 1 |
| | Relay, Elements | | | 5192-294-001 | 1 |
| | Wire Assy-BLK, #33, 8" | | | 8220-057-015 | 6 |
| | Curcit Breaker, 3-Pole, 25AMP | | | 5198-213-004 | 2 |
| | Wire Assy-BLK, #34, 36" | | | 8220-061-008 | 6 |
| | Wire Assy-BLK, #34, 48" | | | 8220-061-010 | 2 |
| | Heating Elements, 18KW, 240V | | | 9870-096-004 | 2 |
| | Jumper-Formed | | | 9295-005-001 | 4 |
| | Jumper-Formed | | | 9295-004-001 | 2 |

INFORMATIVE 6102-018-167

CONTROL ENCL.
(BACK PANEL)



WIRING DIAGRAM

DCBD80HC_ -16FH
DCBD80HC_ -18FJ

9539-492-001
8220-063-009
9539-492-001
LOWER SERVICE DOOR SWITCH
(BEHIND LOWER SERVICE PANEL)

9506-480-001F

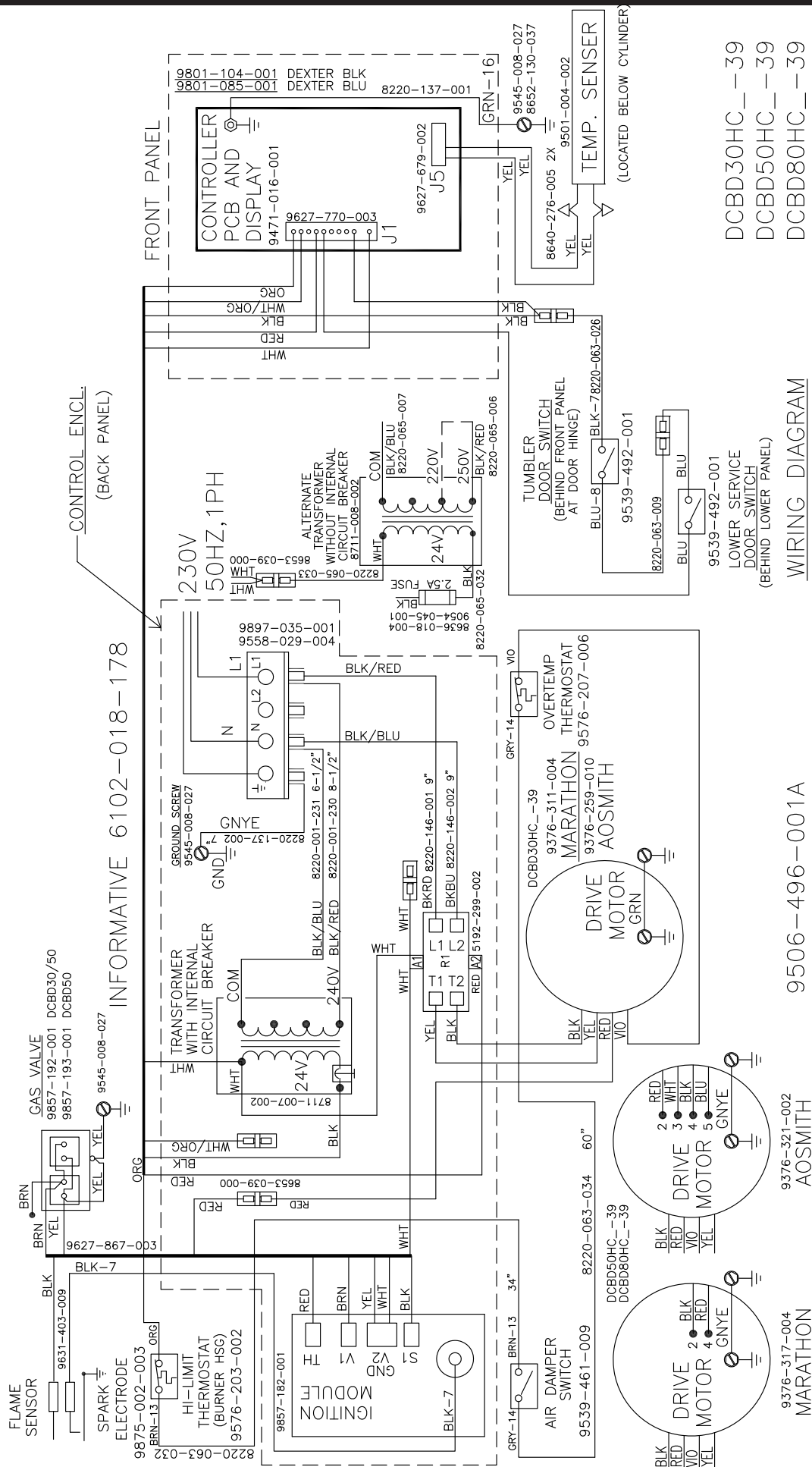
Section 7:

50Hz

Dryer Parts Data

DCBD30.50.80HC_-39 230VAC 1 PH 50Hz

| Key | Description | T-30 | T-50 | T80 | QTY |
|-----|--------------------------------|--------------|--------------|--------------|-----|
| | Motor | 9376-311-004 | 9376-317-004 | 9376-317-004 | 1 |
| | Pulley | 9453-169-009 | 9435-169-014 | 9453-169-009 | 1 |
| | Strip Terminal Marker | 9558-029-004 | 9558-029-004 | 9558-029-004 | 1 |
| | Wiring Label-Schematic/Diagram | 9506-496-001 | 9506-496-001 | 9506-496-001 | 1 |
| | Switch Assembly-Air flow | 9801-095-002 | | | |
| | Bracket-Airflow switch | 9029-174-002 | | | |
| | Switch Micro | 9539-461-009 | | | |
| | Orfice Main Burner, #32 | 9425-069-009 | | | 2 |
| | Orfice Main Burner, #32 | | 9425-069-009 | | 3 |
| | Orfice Main Burner, #30 | | | 9425-069-002 | 4 |
| | LP Kit | 9732-102-019 | 9732-102-021 | 9732-102-022 | 1 |
| | Overlay-Trim Lower door | 9435-016-004 | 9435-016-005 | 9435-016-005 | 1 |



INFORMATIVE 6102-018-178

WIRING DIAGRAM

9506-496-001A

- DCBD30HC_ -39
- DCBD50HC_ -39
- DCBD80HC_ -39

- 9539-492-001
- LOWER SERVICE DOOR SWITCH (BEHIND LOWER PANEL)

- 9376-317-004
- MARATHON

- 9376-321-002
- AOSMITH

