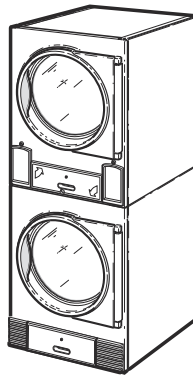


Tumble Dryers

Stacked 45 Pound Capacity
Models with 0 or 3 in 13th Position of Model Number
Refer to Page 3 for Model Numbers



TMB1285C_70591701

Table of Contents

Title	Page
Parts Ordering Information.....	2
Serial Plate Location	2
Model Identification	3
Product Overview - Heat Source and Voltage	4
Product Overview - FN Control Suffix	6
Product Overview - DN and NN Control Suffixes.....	8
Product Overview - B, N and W Control Suffixes.....	10
Dual Digital Control	12
Electronic Display Control - Vend Models with B in the 7th Position	14
Electronic Display Control - Vend Models with N or W in the 7th Position.....	16
Electronic Display Control Overlays - Vend Models with N or W in the 7th Position	18
Electronic Display Control - OPL Models with N in the 7th Position	20
3.5 Inch Graphical Control	22
Coin Drops	24
Coin Drop Kits.....	26
Network Board, Central Pay and Card Reader Components.....	28
Door Assemblies.....	30
Door Components.....	32
Hinge Components	34
Upper Front Panel Assemblies	36
Lower Front Panel Assemblies	38
Upper Cabinet Front Components	40
Lower Cabinet Front Components	42
Emergency Stop Button - OPL Models	44
Lint Drawer Components	46
Lint Drawer Overlays	48
Cylinder and Trunnion Components	50
Moisture Sensing Components	52
Bearing Components	54
Cabinet Components	56
Drive Motor Components	58
Exhaust Components.....	60
Blower Components.....	62
Airflow Switch.....	64
Gas Burner Housing and Secondary Stove Limit	66
Gas Valve and Piping	68
Burner Orifices	70
Control Tray and Accessory Box	72
Labels	74
Harnesses.....	75
Parts Index.....	77

© Copyright 2019, Alliance Laundry Systems LLC

All rights reserved. No part of the contents of this book may be reproduced or transmitted in any form or by any means without the expressed written consent of the publisher.

Parts Ordering Information

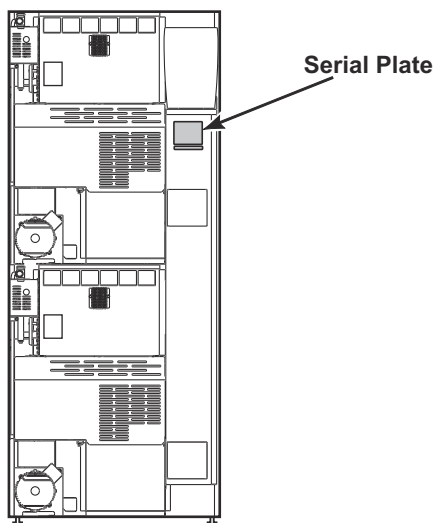
If literature or replacement parts are required, contact the source from whom the machine was purchased or contact Alliance Laundry Systems at (920) 748-3950 for the name and address of the nearest authorized parts distributor.

For technical assistance, call the number listed below:

(920) 748-3121 Ripon, Wisconsin

Serial Plate Location

When calling or writing about your product, be sure to mention model and serial numbers. Model and serial numbers are located on serial plate(s) as shown.



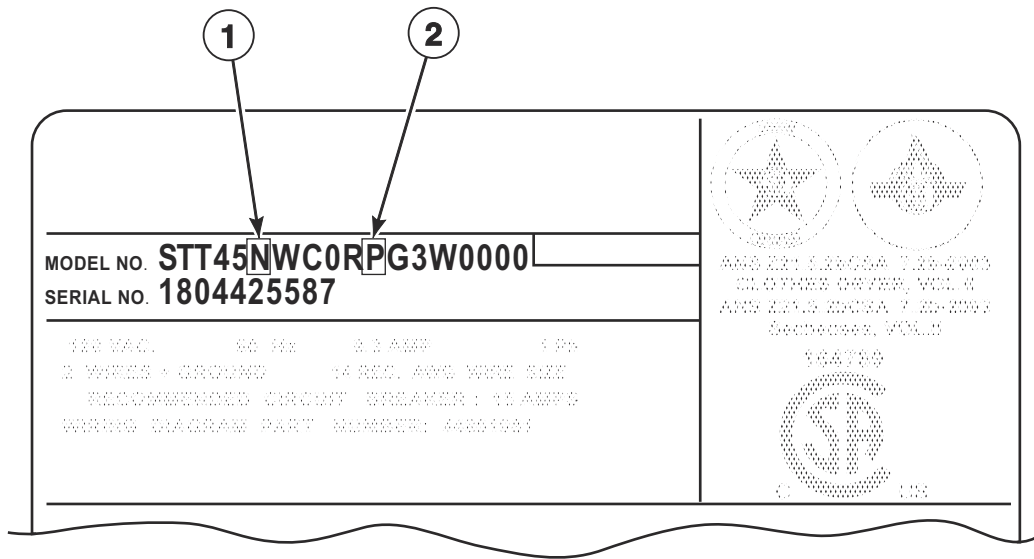
TMB3565P_70591701

Model Identification

Information in this manual is applicable to these tumbler models:

BAT45L	HAT45L	MGT45D	SAT45L	UAT45L
BAT45N	HAT45N	MGT45L	SAT45N	UAT45N
BAT45R	HAT45R	MGT45N	SAT45R	UAT45R
BGT45D	HGT45D	MGT45R	SGT45D	UGT45D
BGT45L	HGT45L	MJT45D	SGT45L	UGT45L
BGT45N	HGT45N	MJT45L	SGT45N	UGT45N
BGT45R	HGT45R	MJT45N	SGT45R	UGT45R
BHT45L	HHT45L	MJT45R	SHT45L	UHT45L
BHT45N	HHT45N	NAT45L	SHT45N	UHT45N
BHT45R	HHT45R	NAT45N	SHT45R	UHT45R
BJT45D	HJT45D	NGT45L	SJT45D	UJT45D
BJT45L	HJT45L	NGT45N	SJT45L	UJT45L
BJT45N	HJT45N	NHT45L	SJT45N	UJT45N
BJT45R	HJT45R	NHT45N	SJT45R	UJT45R
BKT45L	HKT45L	NJT45L	SKT45L	UKT45L
BKT45N	HKT45N	NJT45N	SKT45N	UKT45N
BKT45R	HKT45R	NKT45L	SKT45R	UKT45R
BLT45L	HLT45L	NKT45N	SLT45L	ULT45L
BUT45L	HTT45L	NTT45L	STT45L	UTT45L
BUT45N	HTT45N	NTT45N	STT45N	UTT45N
BUT45R	HTT45R	NUT45L	STT45R	UTT45R
GAT45L	HUT45L	NUT45N	SUT45L	UUT45L
GAT45N	HUT45N	PAT45L	SUT45N	UUT45N
GGT45L	HUT45R	PAT45N	SUT45R	UUT45R
GGT45N	KTT45L	PGT45L		
GHT45L	KTT45N	PGT45N		
GHT45N		PHT45L		
GJT45L		PHT45N		
GJT45N		PJT45L		
GKT45L		PJT45N		
GKT45N		PKT45L		
GUT45L		PKT45N		
GUT45N		PLT45L		
		PTT45L		
		PTT45N		
		PUT45L		
		PUT45N		

Product Overview - Heat Source and Voltage



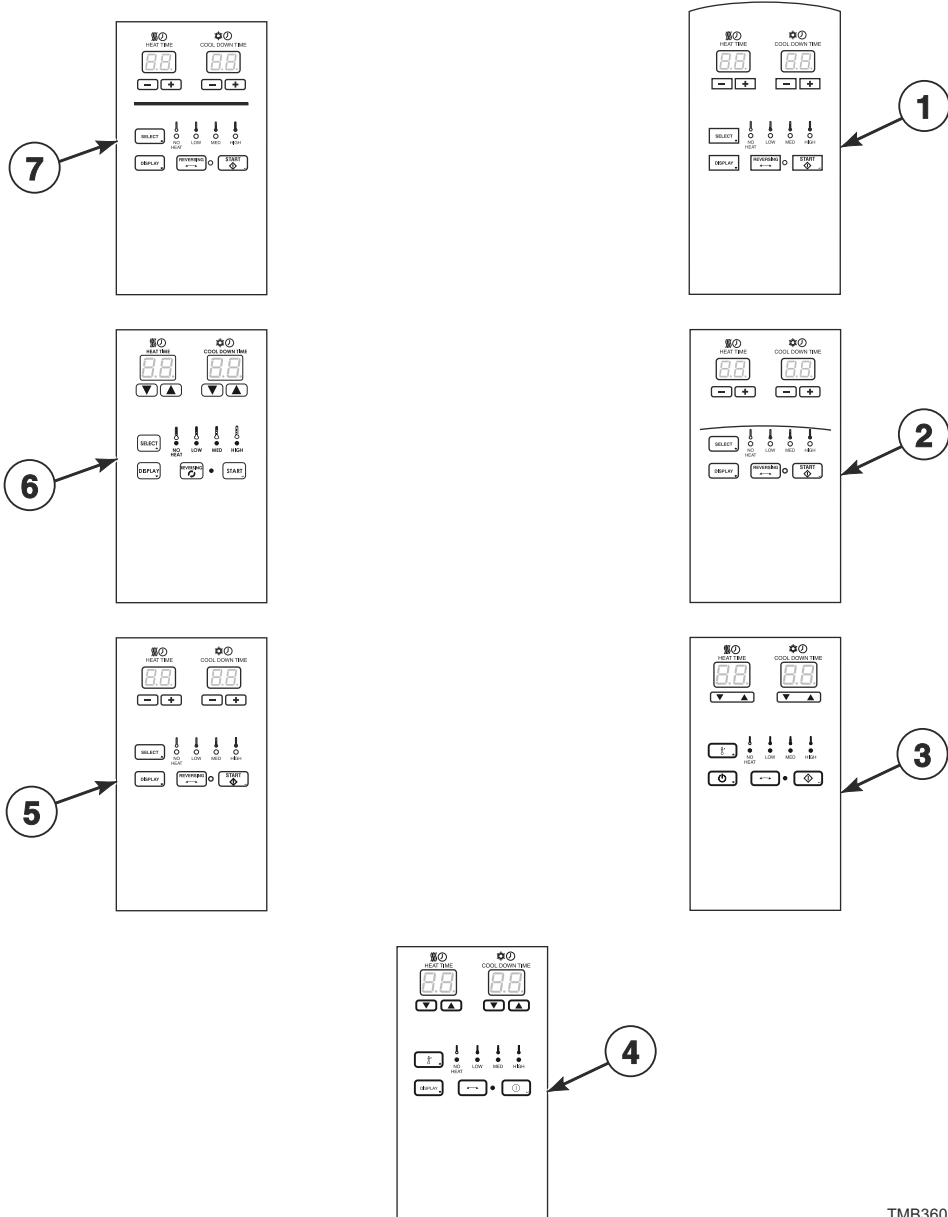
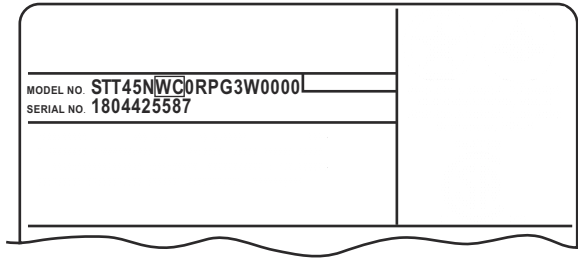
TMB3601P_70591701

Product Overview - Heat Source and Voltage

REF	PART NO.	DESCRIPTION	COMMENTS
1	-	Heat Source	D: Liquid Petroleum Gas (L.P) L: Liquid Petroleum Gas (L.P.) N: Natural Gas (N.G.) R: Reduced Gas, Natural Gas (Eco Line)
2	-	Voltage	N: 440-480 Volt/50-60 Hertz/3 Phase P: 380-415 Volt/50-60 Hertz/3 Phase X: 200-240 Volt/50-60 Hertz/1-3 Phase

Product Overview - FN Control Suffix

All Models Except M Models; OPL



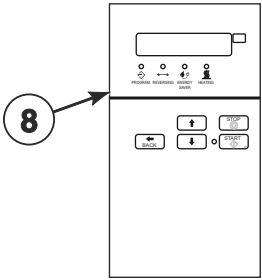
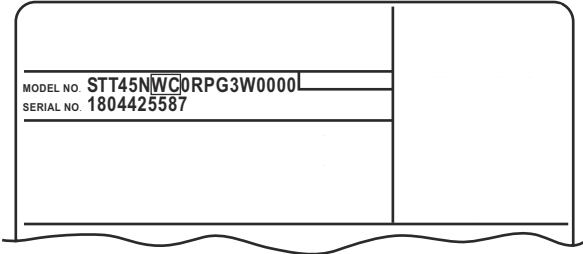
TMB3602P_70591701

Product Overview - FN Control Suffix

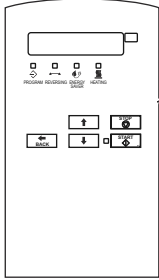
REF	PART NO.	DESCRIPTION	COMMENTS
1	-	Dual Digital Control	H models
2	-	Dual Digital Control	U models
3	-	Dual Digital Control	B models
4	-	Dual Digital Control	P models
5	-	Dual Digital Control	N models
6	-	Dual Digital Control	G and K models
7	-	Dual Digital Control	S models

Product Overview - DN and NN Control Suffixes

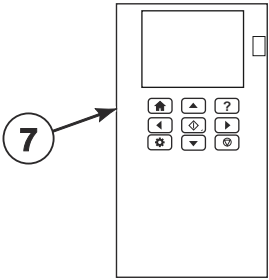
All Models Except M Models; OPL



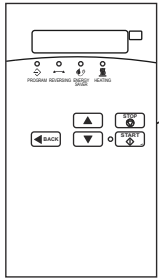
8



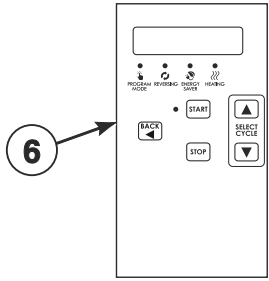
1



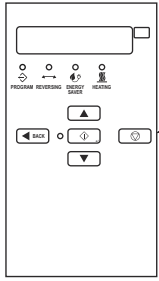
7



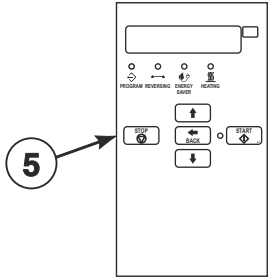
2



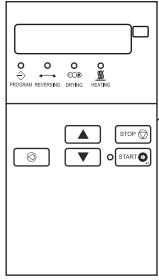
6



3



5



4

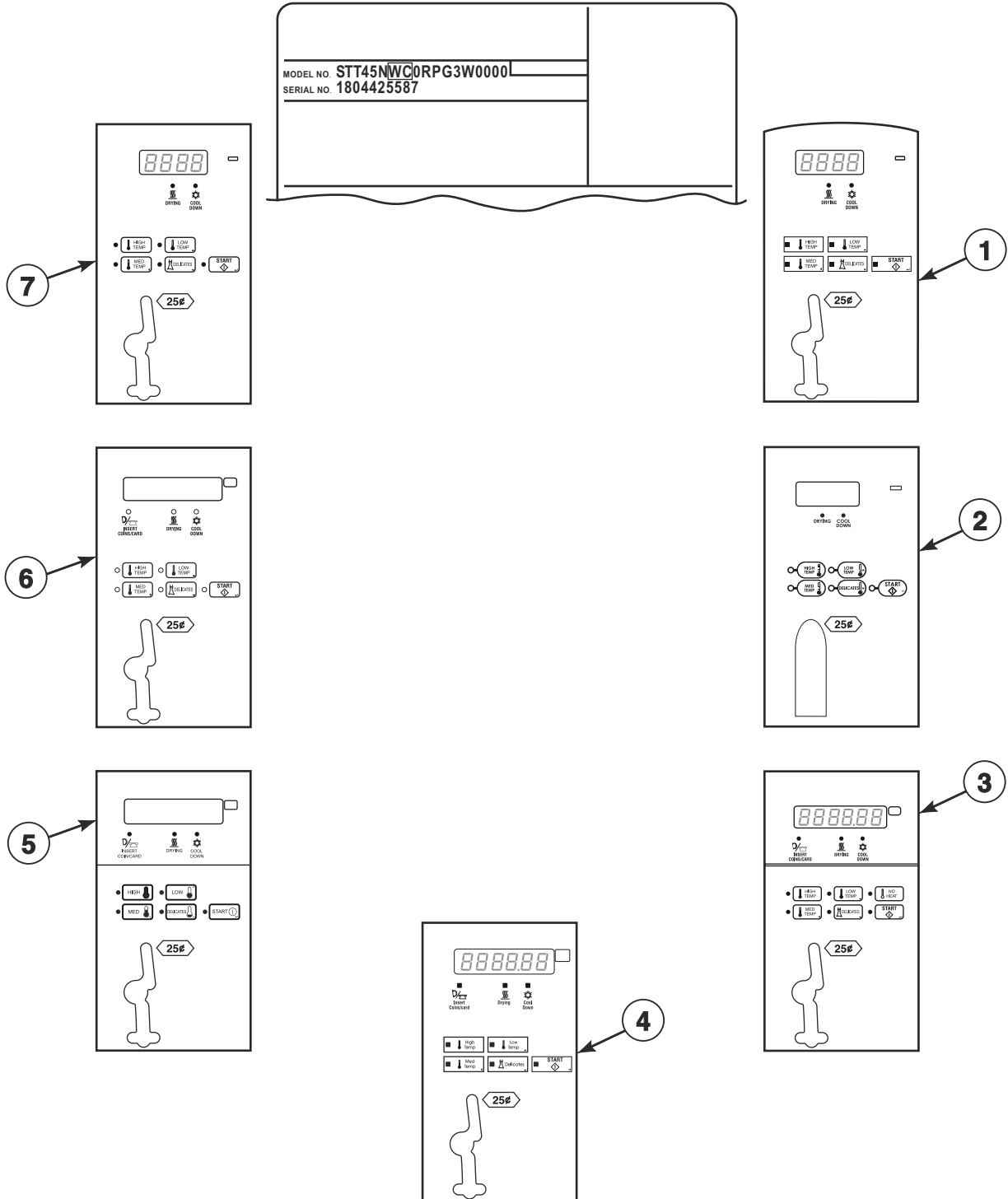
TMB3603P_70591701

Product Overview - DN and NN Control Suffixes

REF	PART NO.	DESCRIPTION	COMMENTS
1	-	Galaxy Control	H models
2	-	M-Series Control	U models
3	-	OPTimum Control	B models
4	-	OPL Micro Control	P models
5	-	OPL Micro Control	N models
6	-	OPL Micro Control	G and K models
7	-	UniLinc Control	U models
8	-	Quantum Gold Control	S models

Product Overview - B, N and W Control Suffixes

7th Position of the Model Number; All Models Except NT Models; Vend



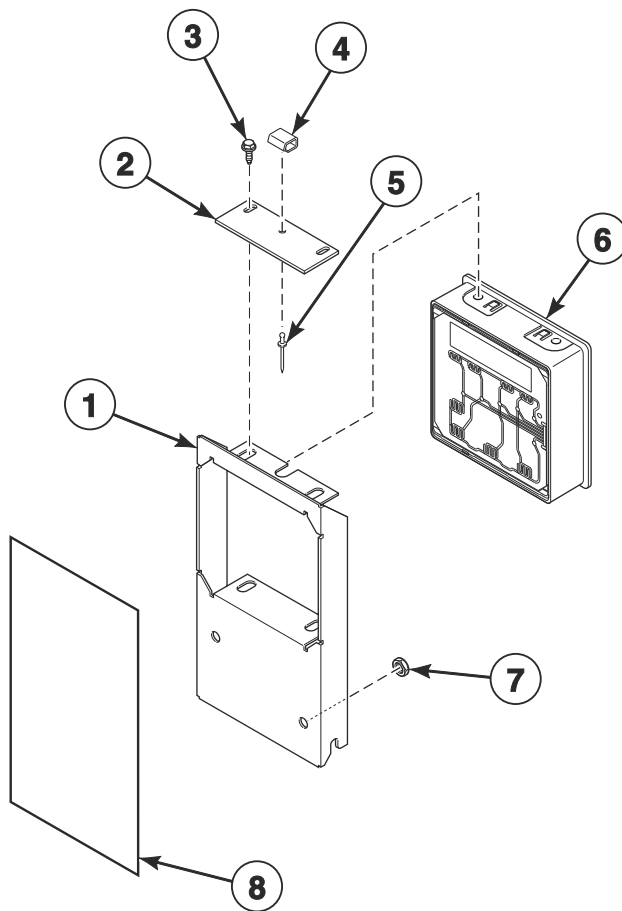
TMB3604P_70591701

Product Overview - B, N and W Control Suffixes

REF	PART NO.	DESCRIPTION	COMMENTS
1	-	Basic Electronic Control	H and N models
2	-	Basic Electronic Control	G and K models
3	-	Quantum Gold Control	M and S models
4	-	Galaxy 600	H models
5	-	XQ Control	P models
6	-	EVO7S Control	B models
7	-	MDC II Control	S models

Dual Digital Control

All Models Except M Models with F in the 7th Position



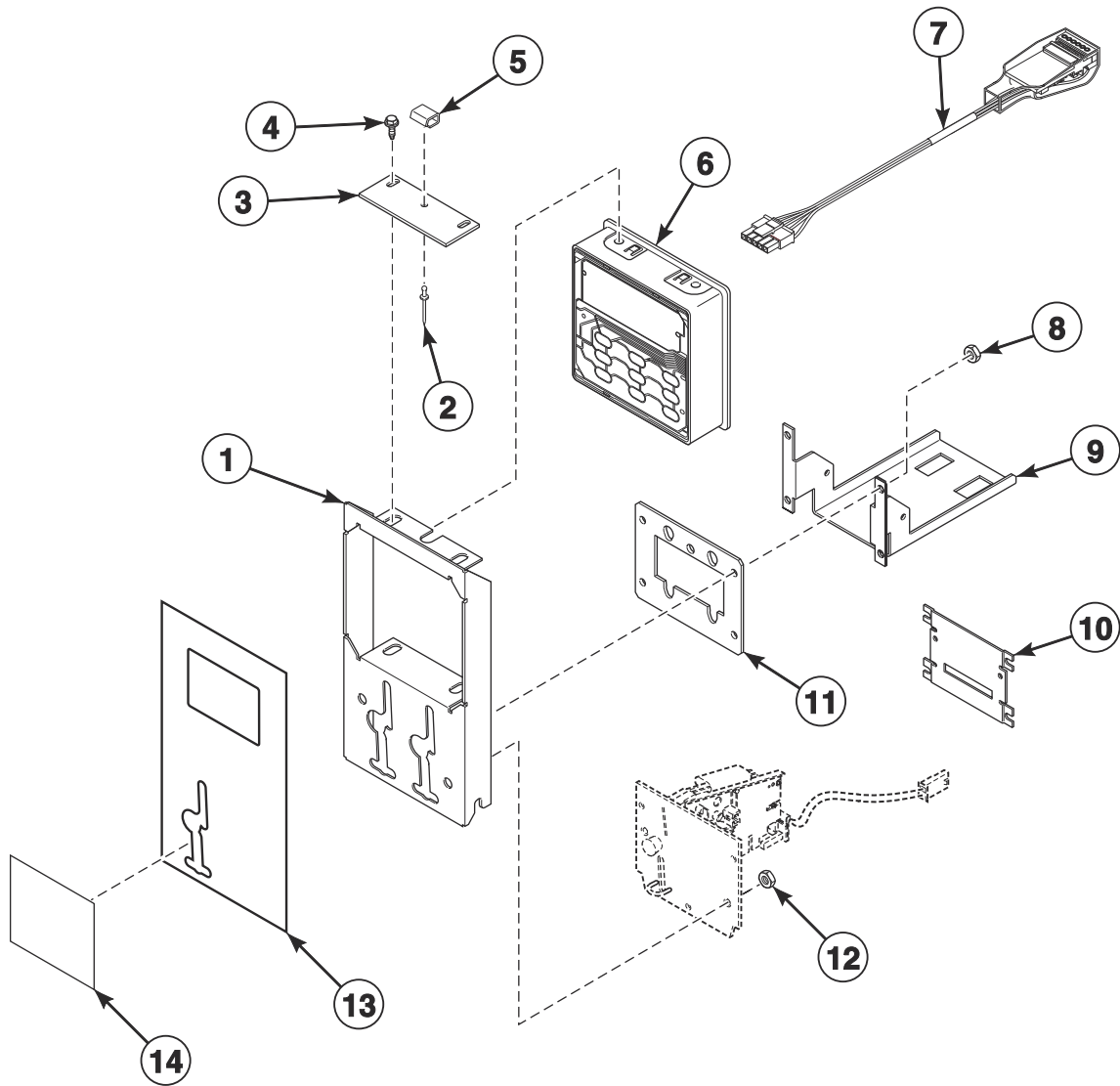
TMB3570P_70591701

Dual Digital Control

REF	PART NO.	DESCRIPTION	COMMENTS
	70577101	Vend Activation Harness	
1	70558601	Control Door and Studs Assembly	H models
	70558501	Control Door and Studs Assembly	All other models
2	70184501	Latch Mounting Bracket	
3	D501524	Screw	4 required
4	431318	Control Door Latch	
5	M400003	Pop Rivet	
6	70523101	Control Assembly	P models; Blue
	70479801	Control Assembly	G, H, K, N, S and U models; Green
	70479901	Control Assembly	B models; Red
7	44087101	Nut	2 required
8	70539002	Overlay	B models; Nonreversing
	70539001	Overlay	B models; Reversing
	70547602	Overlay	G and K models; Nonreversing
	70547601	Overlay	G and K models; Reversing
	70517902	Overlay	H models; Nonreversing
	70517901	Overlay	H models; Reversing
	70545402	Overlay	P models; Nonreversing
	70545401	Overlay	P models; Reversing
	70516901	Overlay	N and S models; Nonreversing
	70516902	Overlay	N and S models; Reversing
	70519102	Overlay	U models; Nonreversing
	70519101	Overlay	U models; Reversing

Electronic Display Control - Vend Models with B in the 7th Position

G, H, K, N and S Models



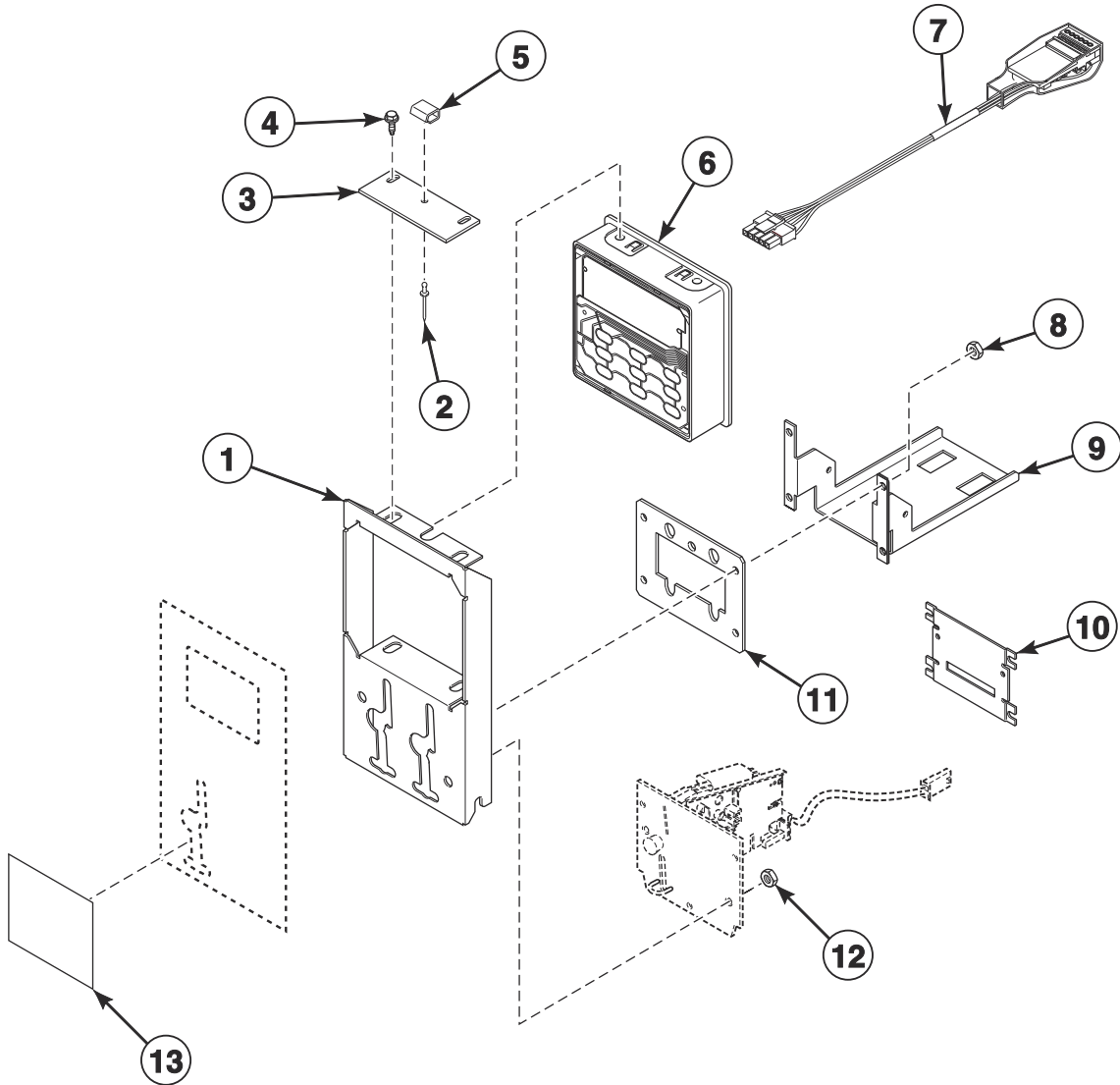
TMB3684P_70591701

Electronic Display Control - Vend Models with B in the 7th Position

REF	PART NO.	DESCRIPTION	COMMENTS
	70577101	Vend Activation Harness	
	44342803	Central Pay Harness	Models through November 2018
1	70498201	Control Door and Studs Assembly	H models; Coin
	70498401	Control Door and Studs Assembly	H models; Prep for card
	70558601	Control Door and Studs Assembly	H models; Central pay and OPL
	70498001	Control Door and Studs Assembly	G and K models; Coin
	70497801	Control Door and Studs Assembly	N and S models; Coin
	70497401	Control Door and Studs Assembly	N and S models; Prep for card
	70558501	Control Door and Studs Assembly	N and S models; Central pay and OPL
2	M400003	Pop Rivet	
3	70184501	Latch Mounting Bracket	
4	D501524	Screw	8 required
5	431318	Control Door Latch	
6	70478801P	Control Assembly	
7	203361P	Machine ID Control Assembly	Model or serial number is required when ordering
8	70054	Nut	4 required
9	70119001	Chassis Mounting Bracket	
10	44089501	Slot Card Plate Assembly	H, N and S models; Included in literature packet
11	70208801	Mounting Plate	
12	44087101	Nut	2 required
13	70547301	Overlay	G and K models; Single drop
	70547302	Overlay	G and K models; Dual drop
	70547201	Overlay	G and K models; Card ready
	70570401	Overlay	H models; Single drop
	70570402	Overlay	H models; Dual drop
	70570501	Overlay	H models; Card ready
	70544801	Overlay	N and S models; Single drop
	70544802	Overlay	N and S models; Dual drop
	70547101	Overlay	N and S models; Card ready
14	F8205101	Overlay	Black; Single drop; Left
	70556501	Overlay	H models; Prep for card
	70556502	Overlay	H models; Central pay
	70518101	Overlay	H models; Citron; Prep for card
	70518102	Overlay	H models; Citron; Central pay
	70557001	Overlay	N and S models; Prep for card
	70557002	Overlay	N and S models; Central pay

Electronic Display Control - Vend Models with N or W in the 7th Position

B, H, M, P and S Models



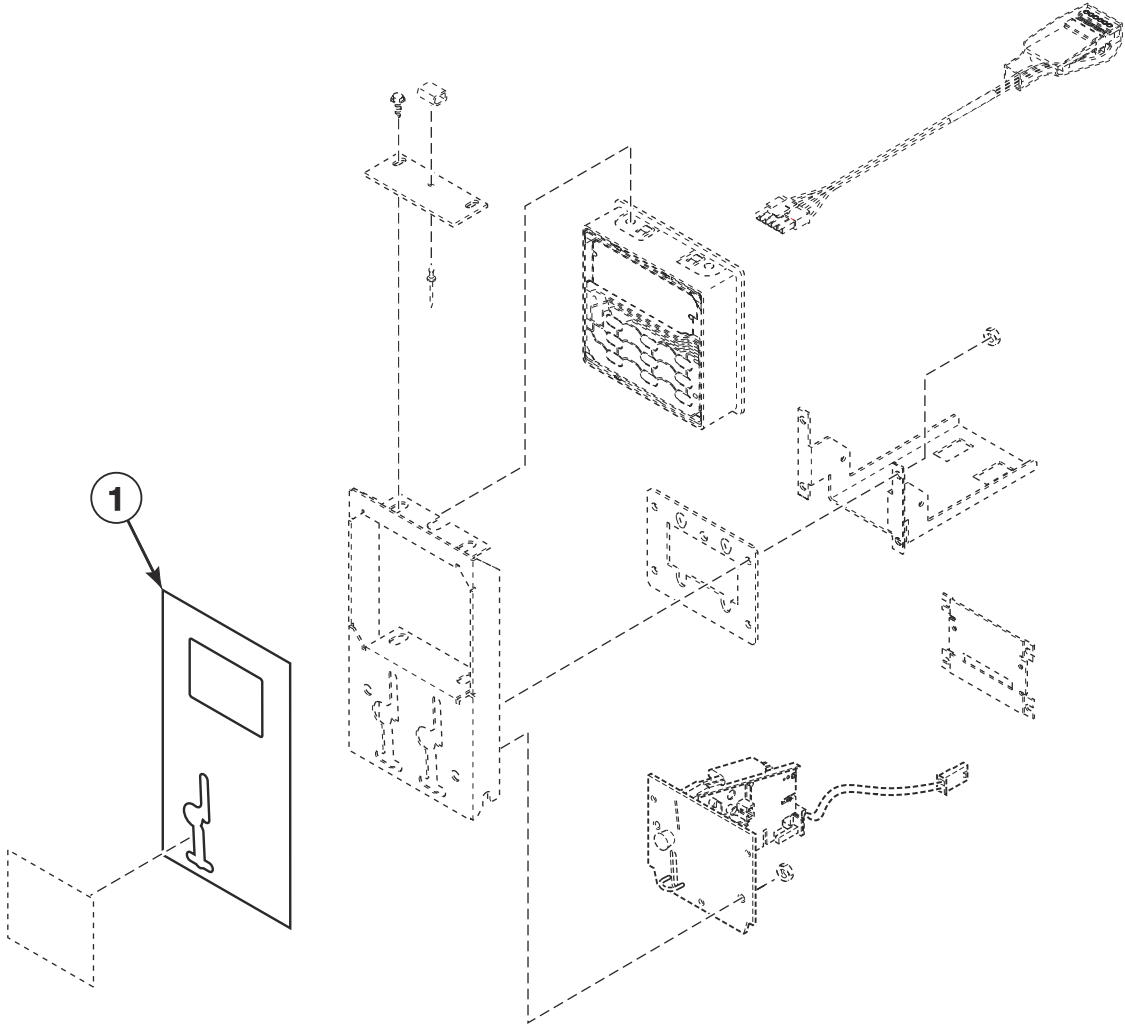
TMB3685P_70591701

Electronic Display Control - Vend Models with N or W in the 7th Position

REF	PART NO.	DESCRIPTION	COMMENTS
	70577101	Vend Activation Harness	
	F8649601	Label	H models
1	70498201	Control Door and Studs Assembly	H models; Coin
	70498401	Control Door and Studs Assembly	H models; Prep for card
	70558601	Control Door and Studs Assembly	H models; Central pay and OPL
	70497801	Control Door and Studs Assembly	All other models; Coin
	70497401	Control Door and Studs Assembly	All other models; Prep for card
	70558501	Control Door and Studs Assembly	All other models; Central pay and OPL
2	M400003	Pop Rivet	
3	70184501	Latch Mounting Bracket	
4	D501524	Screw	8 required
5	431318	Control Door Latch	
6	70523001	Control Assembly	P models; Blue
	70478801P	Control Assembly	H, M and S models; Green
	70478901	Control Assembly	B models; Red
7	203361P	Machine ID Control Assembly	Model or serial number is required when ordering
8	70054	Nut	4 required
9	70119001	Chassis Mounting Bracket	
10	44089501	Slot Card Plate Assembly	
11	70208801	Mounting Plate	
12	44087101	Nut	2 required
13	F8205101	Overlay	S models; Single drop; Left
	70557001	Overlay	B and S models; Prep for card
	70557002	Overlay	B and S models; Central pay
	70295101	Overlay	S models; World drop
	70556801	Overlay	H models; World drop
	70556501	Overlay	H models; Prep for card
	70556502	Overlay	H models; Central pay
	70556601	Overlay	H models; Single drop; Left
	70556901	Overlay	H models; Citron; World drop
	70518101	Overlay	H models; Citron; Prep for card
	70518102	Overlay	H models; Citron; Central pay
	70556701	Overlay	H models; Citron; Left
	70556201	Overlay	P models; Single drop; Right
	70556401	Overlay	P models; Prep for card
	70556402	Overlay	P models; Central pay
	70556301	Overlay	P models; Single drop; Left

Electronic Display Control Overlays - Vend Models with N or W in the 7th Position

B, H, M, P and S Models



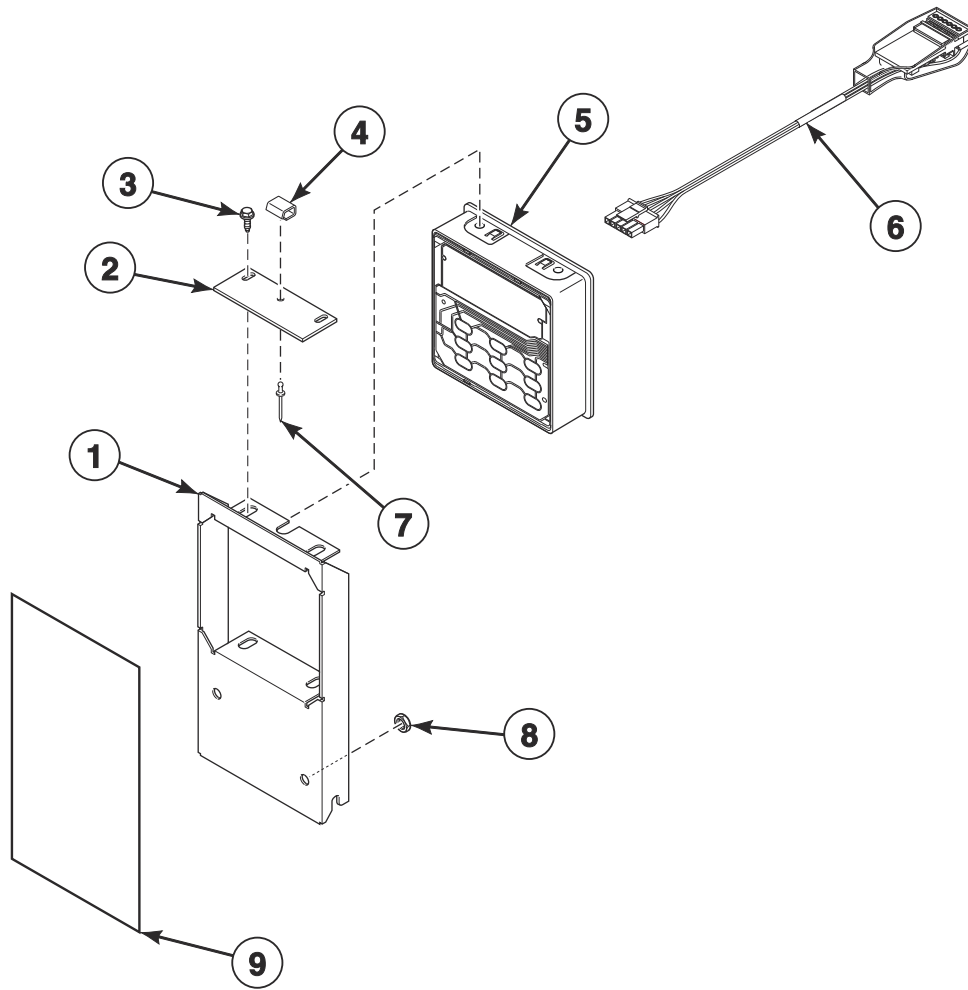
TMB3685PA_70591701

Electronic Display Control Overlays - Vend Models with N or W in the 7th Position

REF	PART NO.	DESCRIPTION	COMMENTS
1	70571201	Overlay	B models; Single drop
	70571202	Overlay	B models; Dual drop
	70571301	Overlay	B models; Card ready
	70517101	Overlay	H models; Single drop
	70517102	Overlay	H models; Dual drop
	70517201	Overlay	H models; Card ready
	70517104	Overlay	H models; Central pay
	70517105	Overlay	H models; World drop
	70572701	Overlay	M models; Upper; Single drop
	70573301	Overlay	M models; Lower; Single drop
	70598301	Overlay	M models; Card ready
	70540901	Overlay	P models; Single drop
	70540902	Overlay	P models; Dual drop
	70541001	Overlay	P models; Card ready
	70511701	Overlay	S models; Single drop
	70511702	Overlay	S models; Dual drop
	70514501	Overlay	S models; Card ready
	70511705	Overlay	S models; Central pay
	70511706	Overlay	S models; World drop
	70558801	Overlay	Models SGT45D and SJT45D; Upper
	70558901	Overlay	Models SGT45D and SJT45D; Lower

Electronic Display Control - OPL Models with N in the 7th Position

All Models Except M Models



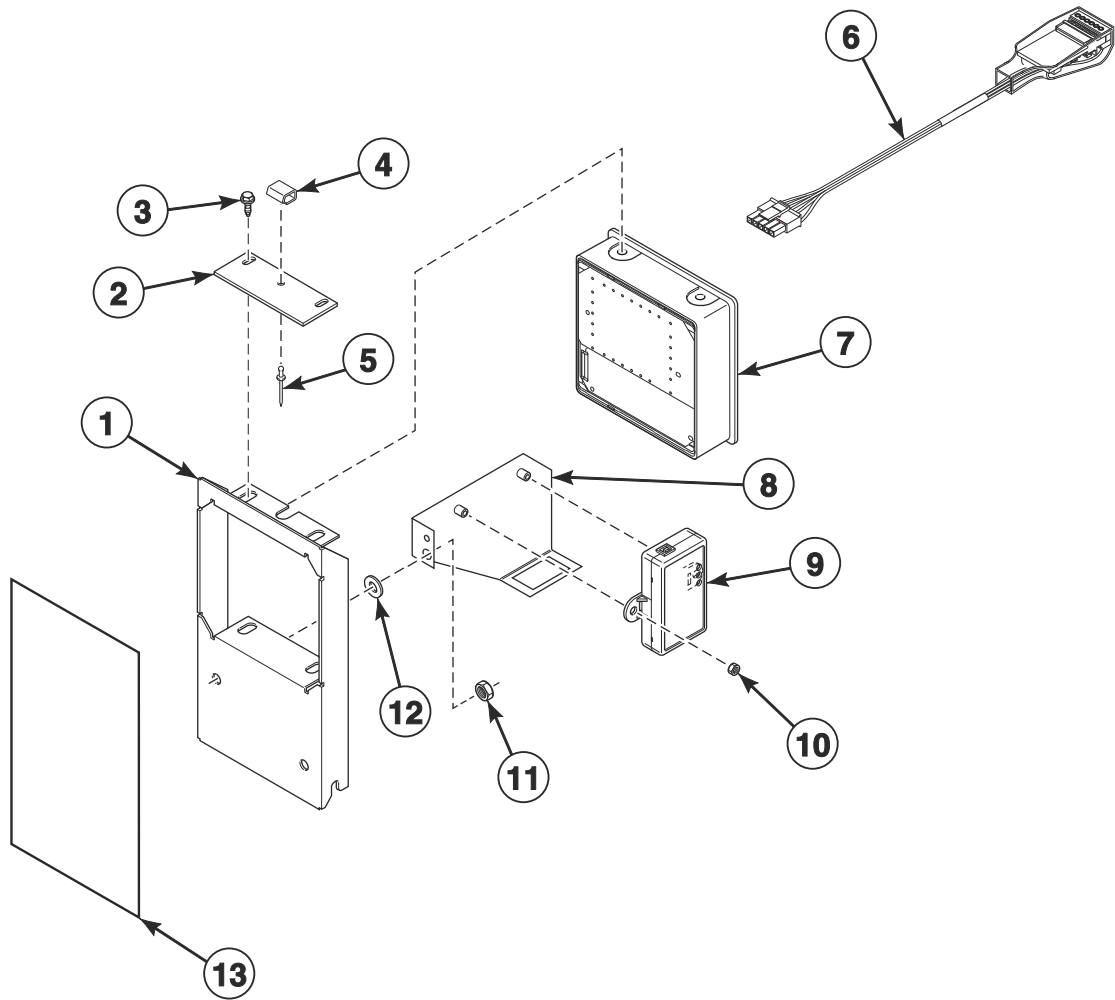
TMB3686P_70591701

Electronic Display Control - OPL Models with N in the 7th Position

REF	PART NO.	DESCRIPTION	COMMENTS
	70577101	Vend Activation Harness	
1	70558601	Control Door and Studs Assembly	H models
	70558501	Control Door and Studs Assembly	All other models
2	70184501	Latch Mounting Bracket	
3	D501524	Screw	
4	431318	Control Door Latch	
5	70523002	Control Assembly	P models; Blue
	70478802	Control Assembly	G, H, K, N, S and U models; Green
	70478902	Control Assembly	B models; Red
6	203361P	Machine ID Control Assembly	Model or serial number is required when ordering
7	M400003	Pop Rivet	
8	44087101	Nut	
9	70548901	Overlay	B models; Reversing
	70548902	Overlay	B models; Nonreversing
	70547701	Overlay	G and K models; Reversing
	70547702	Overlay	G and K models; Nonreversing
	70570901	Overlay	H models; Reversing
	70570902	Overlay	H models; Nonreversing
	70572501	Overlay	N models; Reversing
	70572502	Overlay	N models; Nonreversing
	70571701	Overlay	P models; Reversing
	70571702	Overlay	P models; Nonreversing
	70570701	Overlay	S models; Reversing
	70570702	Overlay	S models; Nonreversing
	70571501	Overlay	U models; Reversing
	70571502	Overlay	U models; Nonreversing

3.5 Inch Graphical Control

U Models with D in the 7th Position



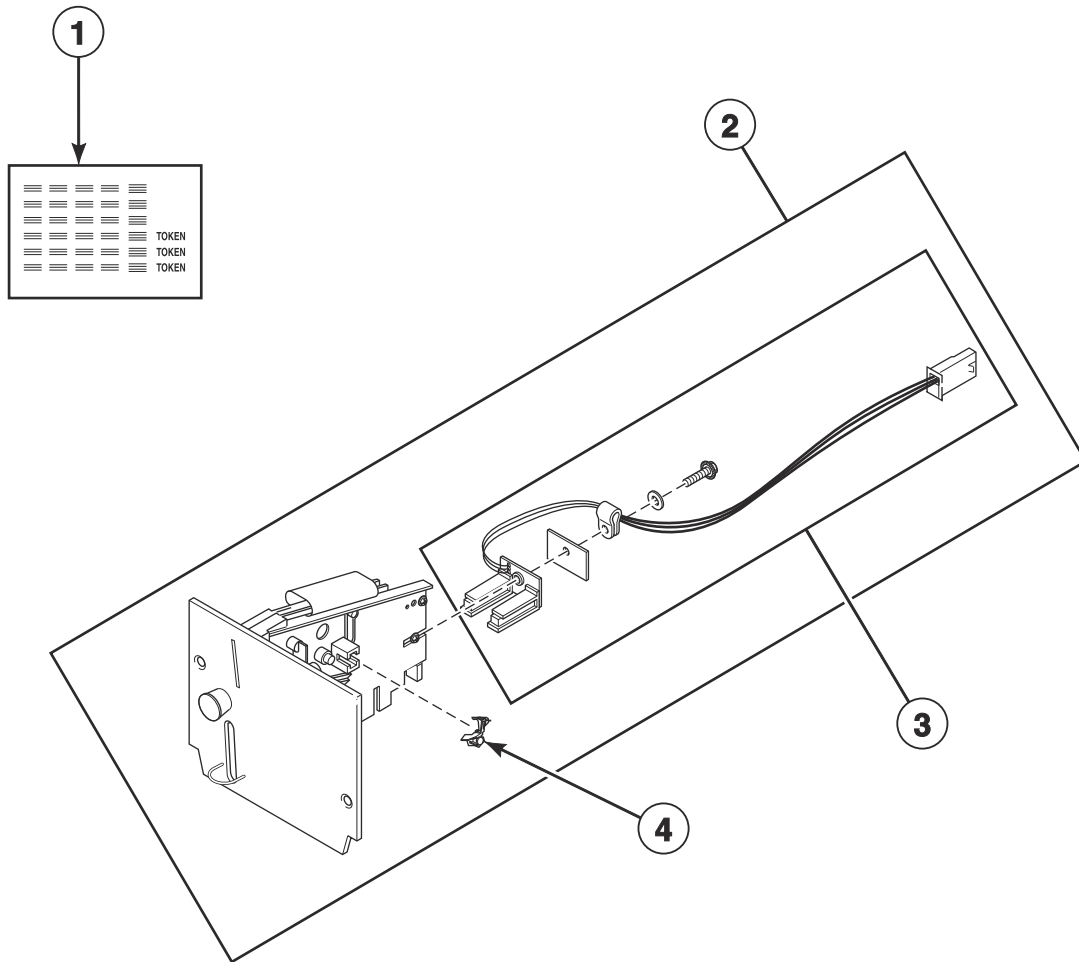
TMB3687P_70591701

3.5 Inch Graphical Control

REF	PART NO.	DESCRIPTION	COMMENTS
	F8617901	Harness	USB
1	70558501	Control Door and Studs Assembly	
2	70184501	Latch Mounting Bracket	
3	D501524	Screw	
4	431318	Control Door Latch	
5	M400003	Pop Rivet	
6	203361P	Machine ID Control Assembly	Model or serial number is required when ordering
7	70543104	Control Assembly	
8	70569701	Bracket Assembly	
9	203440	USB-Serial Interface Assembly	
10	44071201	Nut	2 required
11	44087101	Nut	
12	70292801	Washer	
13	70595201	Overlay	

Coin Drops

All Models Except NT and U Models



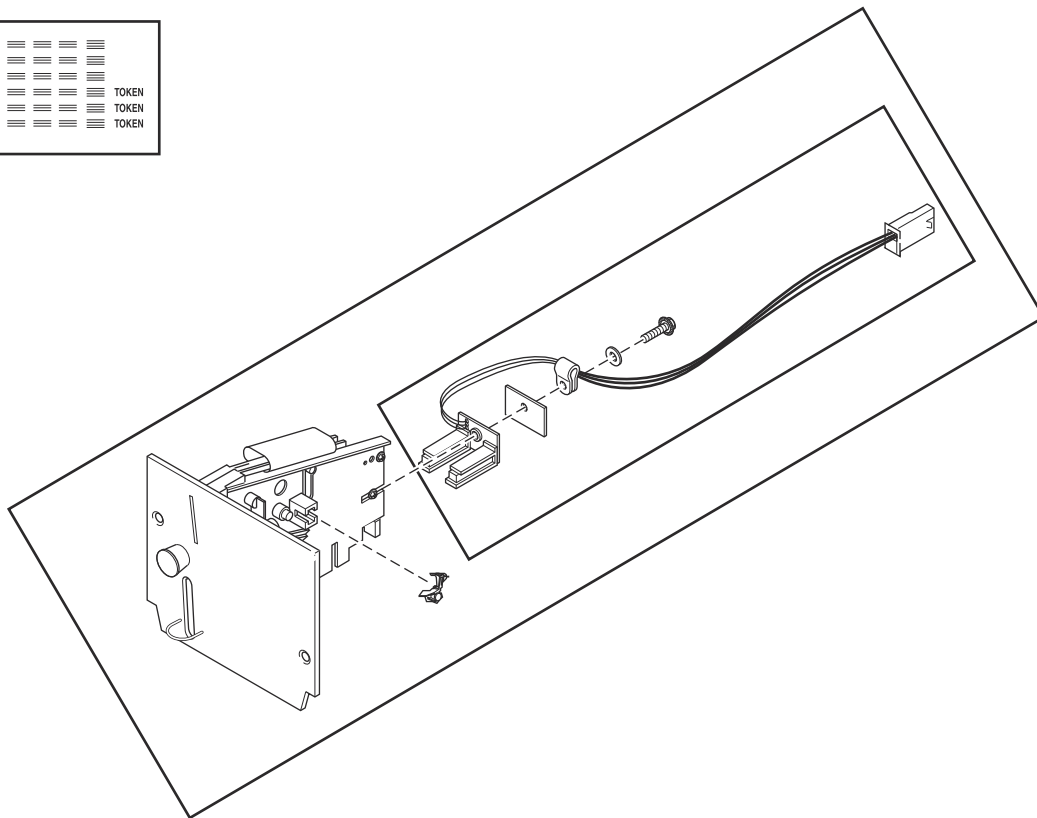
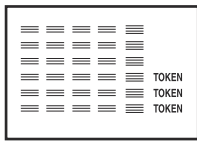
TMB3510P_70591701

Coin Drops

REF	PART NO.	DESCRIPTION	COMMENTS
1	38725	Coin Identification Paper	
2	70441601P	Coin Drop	Single; U.S.A.; \$.25
	38475	Coin Drop Assembly	Single; Japan; 100 yen
	38464P	Coin Drop Assembly	Single; Canada; .25
	CK077	Coin Drop Kit	Single; Taiwan; 10 NT
	70506901	Coin Drop Assembly	Single; Singapore; \$1.00 NEW
	70441603	Coin Drop	Dual; U.S.A.; \$.25 and \$1.00
	38519	Coin Drop Assembly	Dual; Japan; 100 yen and 500 yen
	70441602	Coin Drop Assembly	Dual; Canada; .25 and 1.00
	38467	Coin Drop Assembly	Dual; Australia; \$0.20 and \$1.00
	70447301	Coin Drop Assembly	Dual; Australia; \$1.00 and \$2.00
	70283102	Coin Drop Assembly	Dual; 0.20 and 0.50 Euro
	210195	Coin Drop Assembly	Dual; 0.20 and 1.00 Euro
	210196	Coin Drop Assembly	Dual; 0.50 and 1.00 Euro
	F0160737-00	Coin Meter	Dual; 0.50 and 2.00 Euro
	70281102	Coin Drop Assembly	Dual; Taiwan; 10 and 50 NT
	70482401	Coin Drop Assembly	Dual; New Zealand ; \$1.00 and \$2.00
	38462P	Coin Drop Assembly	Single; Token; STD 118-1
	38463	Coin Drop Assembly	Single; Token; STD 118-5
	38963P	Coin Drop	Single; Token STD 118-16
	39748	Coin Drop	Single; Jeton 08MS
	201141	Coin Drop Assembly	Single; Token; Jeton wh121
	70471601	Coin Drop Assembly	Single; Token; 7K
	70513302	Electronic Coin Drop Assembly	Euro and Great Britain coins
	70513310	Electronic Coin Drop Assembly	Japan and Thailand coins
	70513304	Electronic Coin Drop Assembly	Australia, New Zealand, Hong Kong and South Korea coins
	70513303	Electronic Coin Drop Assembly	Denmark, Norway and Euro coins
	70513306	Electronic Coin Drop Assembly	Mexico, Ecuador and U.S.A. coins
	70294107	Electronic Coin Drop Assembly	Lithuania, Latvia and Euro coins
	70513311	Electronic Coin Drop Assembly	China and Malaysia coins
	70513308	Electronic Coin Drop Assembly	South African 1, 2 and 5 rand coins
	70513309	Electronic Coin Drop Assembly	Euro coins
	70513312	Electronic Coin Drop Assembly	Russia coins
	70513313	Electronic Coin Drop Assembly	Phillipines coins
	70513314	Electronic Coin Drop Assembly	Thailand coins
	70513315	Electronic Coin Drop Assembly	Chile coins
	70513316	Electronic Coin Drop Assembly	Singapore coins
3	200674P	Opto Coupler	
4	201595P	Wire Guard	

Coin Drop Kits

All Models Except NT and U Models



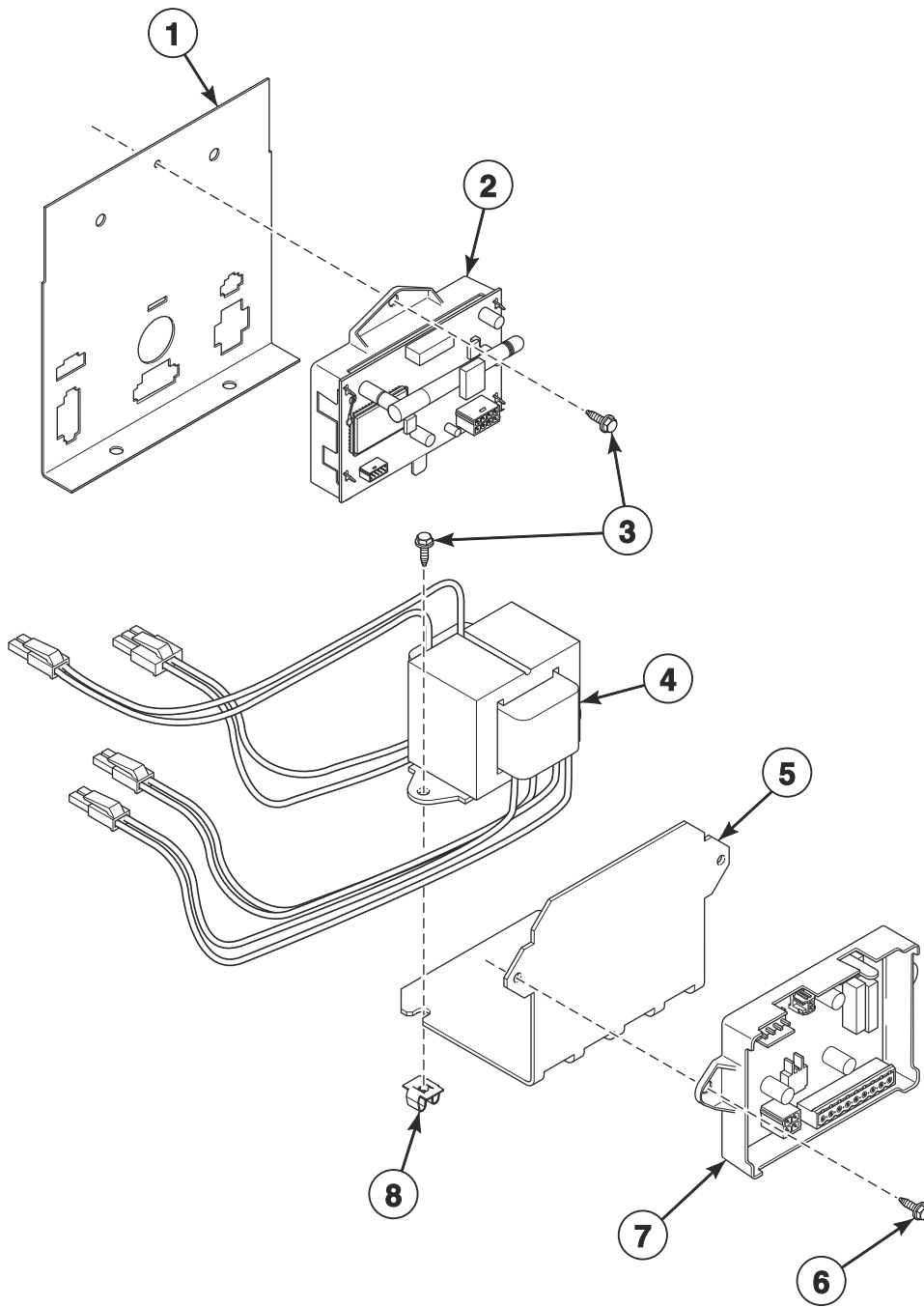
TMB3510PA_70591701

Coin Drop Kits

REF	PART NO.	DESCRIPTION	COMMENTS
	CK115	Electronic Coin Drop Kit	United States and Canada
	CK099	Electronic Coin Drop Kit	Australia (default), New Zealand, Hong Kong, South Korea and Malaysia
	CK100	Electronic Coin Drop Kit	United Kingdom (default) and Europe
	CK101	Electronic Coin Drop Kit	Europe (default), Denmark and Norway
	CK108	Electronic Coin Drop Kit	South Africa
	CK109	Electronic Coin Drop Kit	Euro
	CK110	Electronic Coin Drop Kit	Mexico (default), Ecuador and United States
	CK113	Electronic Coin Drop Kit	Japan and Taiwan
	CK116	Electronic Coin Drop Kit	Malaysia (default) and China
	CK117	Electronic Coin Drop Kit	Russia
	CK118	Electronic Coin Drop Kit	Philippine
	CK119	Electronic Coin Drop Kit	Thailand
	CK120	Electronic Coin Drop Kit	Chile
	CK121	Electronic Coin Drop Kit	Singapore
	CK122	Coin Drop Kit	New Zealand; 1.00 and 2.00

Network Board, Central Pay and Card Reader Components

All Models Except NT Models; Central Pay Starting December 2018

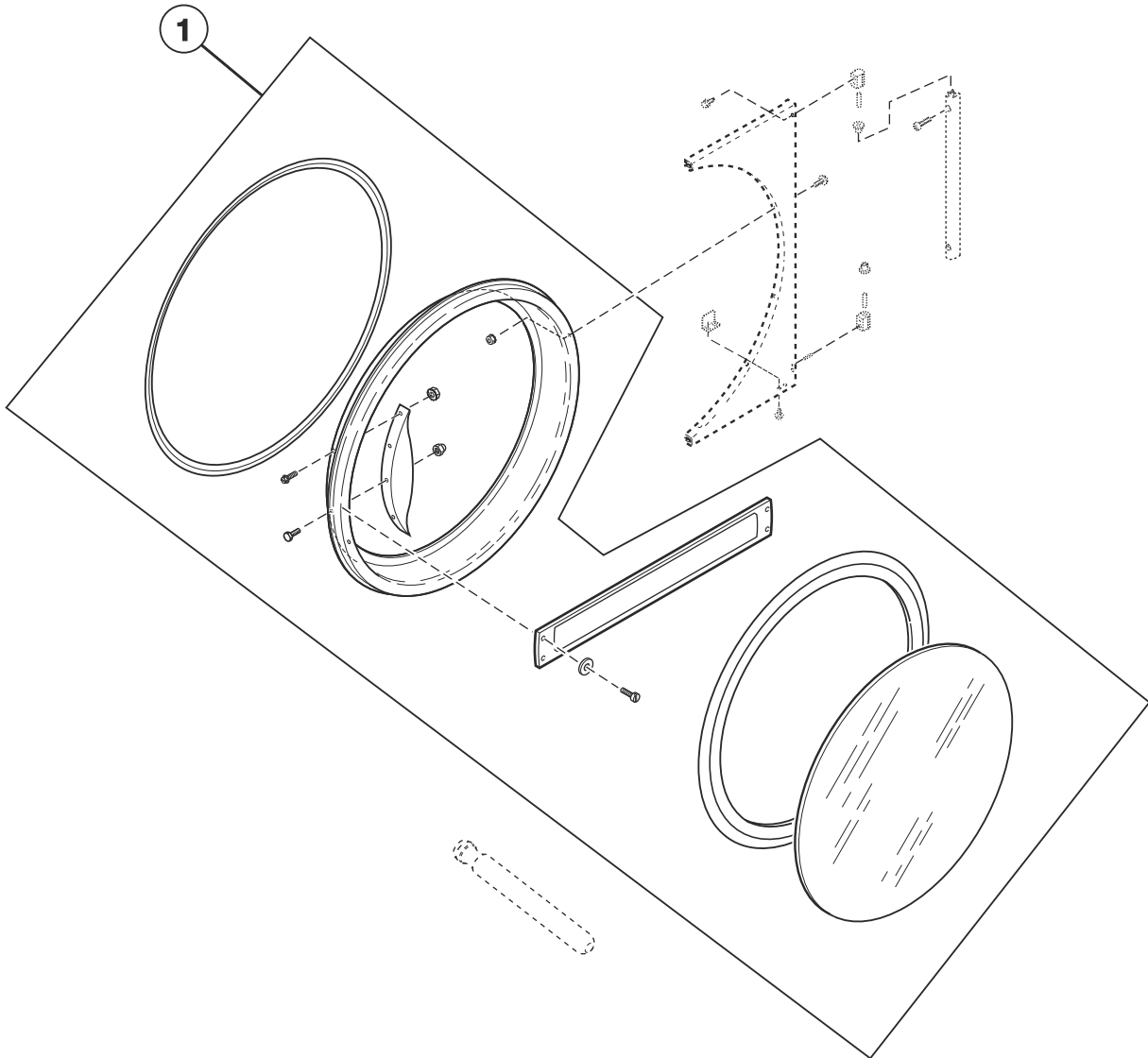


TMB3677P_70591701

Network Board, Central Pay and Card Reader Components

REF	PART NO.	DESCRIPTION	COMMENTS
	70596302	Wireless Network Kit	Models through 1/31/19
	70609801	Wireless Network Kit	Models starting 2/1/19
	F8536002	Wireless Network Board Harness	Models through 1/31/19
	F8613201	FCC-IC Label	HT, PT and ST models; Models through 1/31/19
	F8674007	Wireless Network Harness	Models starting 2/1/19
	204692	Wireless Control Label	Models starting 2/1/19
	44355603	Central Pay Harness	Routes from central pay board to upper control tray
	44272304	Transformer Harness	100-120 Volt; Routes from transformer to I/O Control Assembly; Card and central pay
	44272305	Transformer Harness	200-480 Volt; Routes from transformer to I/O Control Assembly; Card and central pay
	44355604	Central Pay Board Harness	Routes from central pay board to transformer
	44355605	Central Pay Harness	Routes from central pay board to front end control
	44272303	Power Supply Transformer Harness	
	44272306	Supply Harness	24 Volt; Lower
1	70307004	Control Housing Cover	OPL
	70307006	Control Housing Cover	Coin
	70307005	Control Housing Cover	Prep for card and central pay
2	203532	Wireless Network Control Assembly	Models through 1/31/19
	807211	Wireless Network Control Assembly	Models starting 2/1/19
3	F8206901	Screw	4 required
4	202757	Transformer	100-120 Volt; Card and central pay
	202758	Transformer	200-480 Volt; Card and central pay
5	70604001	Mounting Bracket	2 required
6	51780	Screw	4 required
7	204094	Central Pay Control Assembly	2 required
8	70030501	Expansion Clip	4 required

Door Assemblies

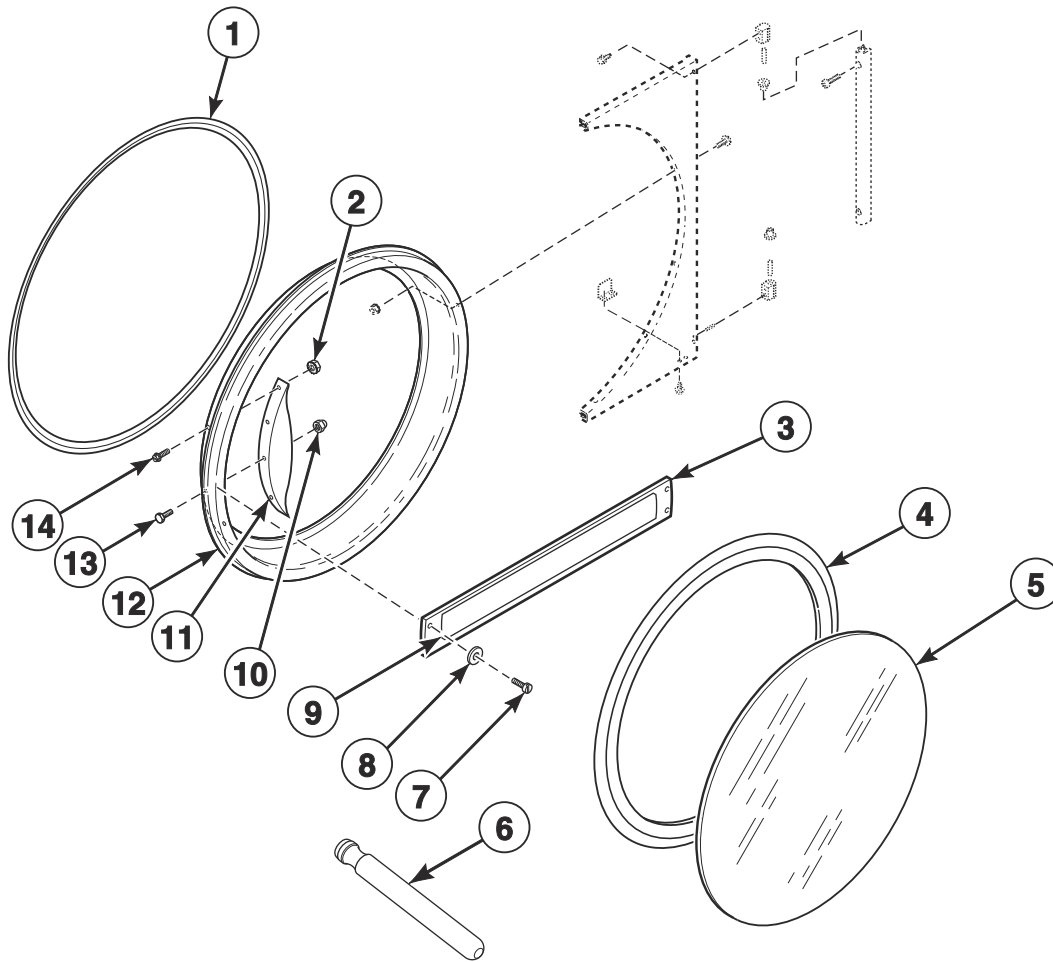


TMB3152P_70591701

Door Assemblies

REF	PART NO.	DESCRIPTION	COMMENTS
1	44266703	Door Assembly	U models; Stainless steel
	44028906	Door Assembly	M and S models; Stainless steel
	44028907	Door Assembly	B and N models
	44058105	Door Assembly	H models; Stainless steel
	44058107	Door Assembly	H models; Stainless steel with green trim
	44058108	Door Assembly	H models; Chrome with green trim
	44058106	Door Assembly	H models; Chrome
	44266704	Door Assembly	U models; Chrome
	44028908	Door Assembly	M and S models; Chrome
	44292302LG	Door Assembly	P models; Light gray
	44292302B	Door Assembly	P models; Use with stainless steel front panel
	70407402	Door Assembly	G and K models; Includes handle

Door Components

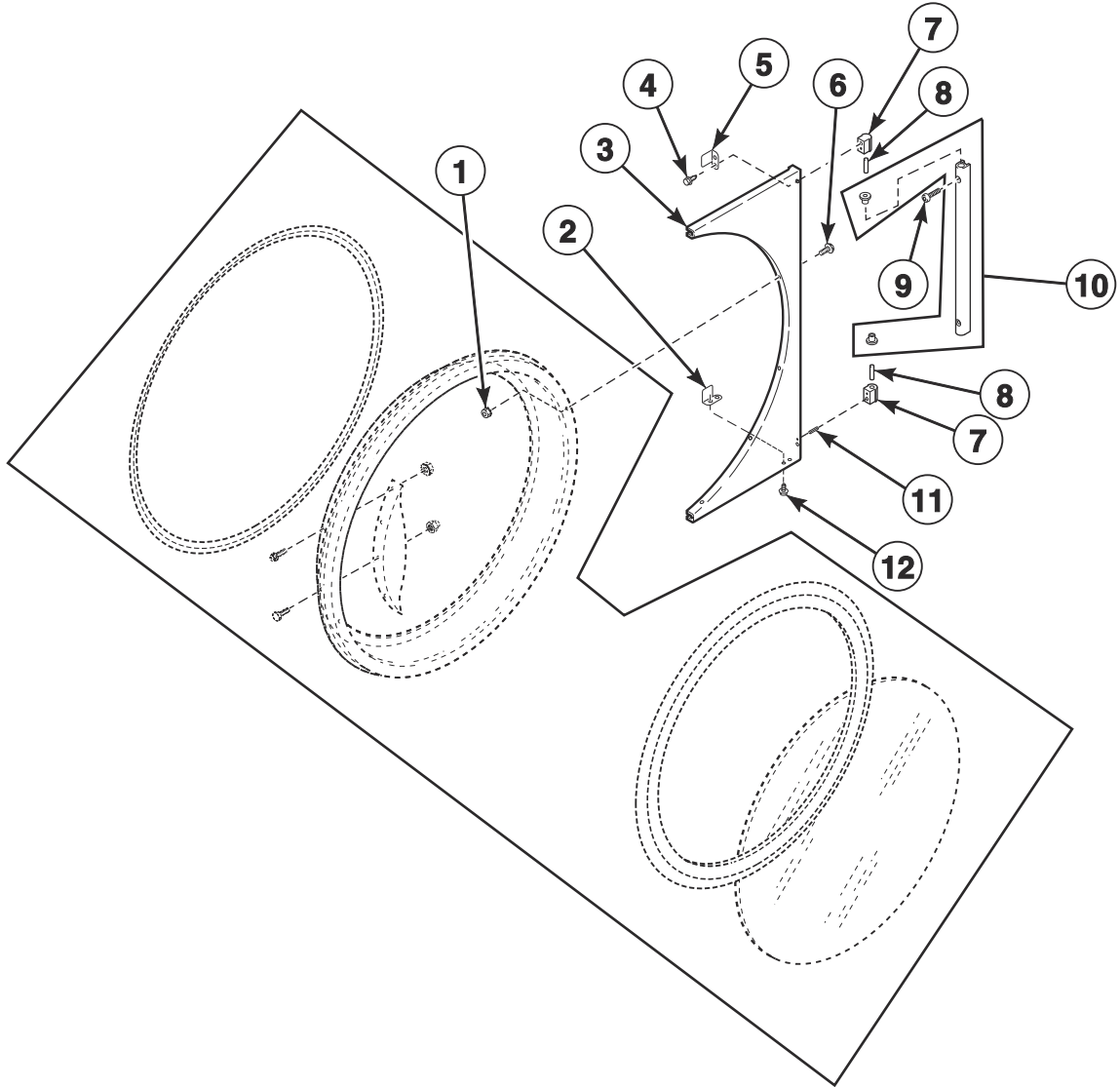


TMB3152PA_70591701

Door Components

REF	PART NO.	DESCRIPTION	COMMENTS
1	70296802	Door Ring Gasket	
2	44088001	Nut	B, H, M, N and S models; 4 required
3	70399501B	Handle Bar	G and K models
4	70211902P	Door Seal Kit	Use Loctite 414 for seal
5	44008402P	Door Glass	H models
	44008403	Door Glass	H models; Green trim
	44008401P	Door Glass	All other models
6	M4221P4	Door Glass Installation Tool	
7	70412601	Pop Rivet	G and K models; Attaches door handle to door ring
8	70409301	Washer	G and K models
9	70414001	Label	G and K models; Coin
10	M414215	Nut	For door strike; Mounts between door strike screw and door handle
11	44007901	Door Handle	B, M, N and S models
	44263801	Door Handle	U models; Use 901620 Screw, 800465 Washer, 803871 Screw and 44088001 Nut to attach
	70521102	Door Handle	H models
12	44326002	Door Ring Assembly	U models
	44326004B	Door Ring Assembly	B and N models
	44326005	Door Ring Assembly	H, M and S models; Chrome
	44326006	Door Ring Assembly	U models; Chrome
	44326007LG	Door Ring and Handle Assembly	P models; Light gray
	44326007B	Door Ring and Handle Assembly	P models; Includes handle; Use with stainless steel and white front panel
	44326003B	Door Ring Assembly	G and K models
	44326001	Door Ring Assembly	H, M and S models; Stainless steel
13	M400661	Screw	Door Strike
14	70442101	Screw	B, H, M, N and S models; 4 required

Hinge Components



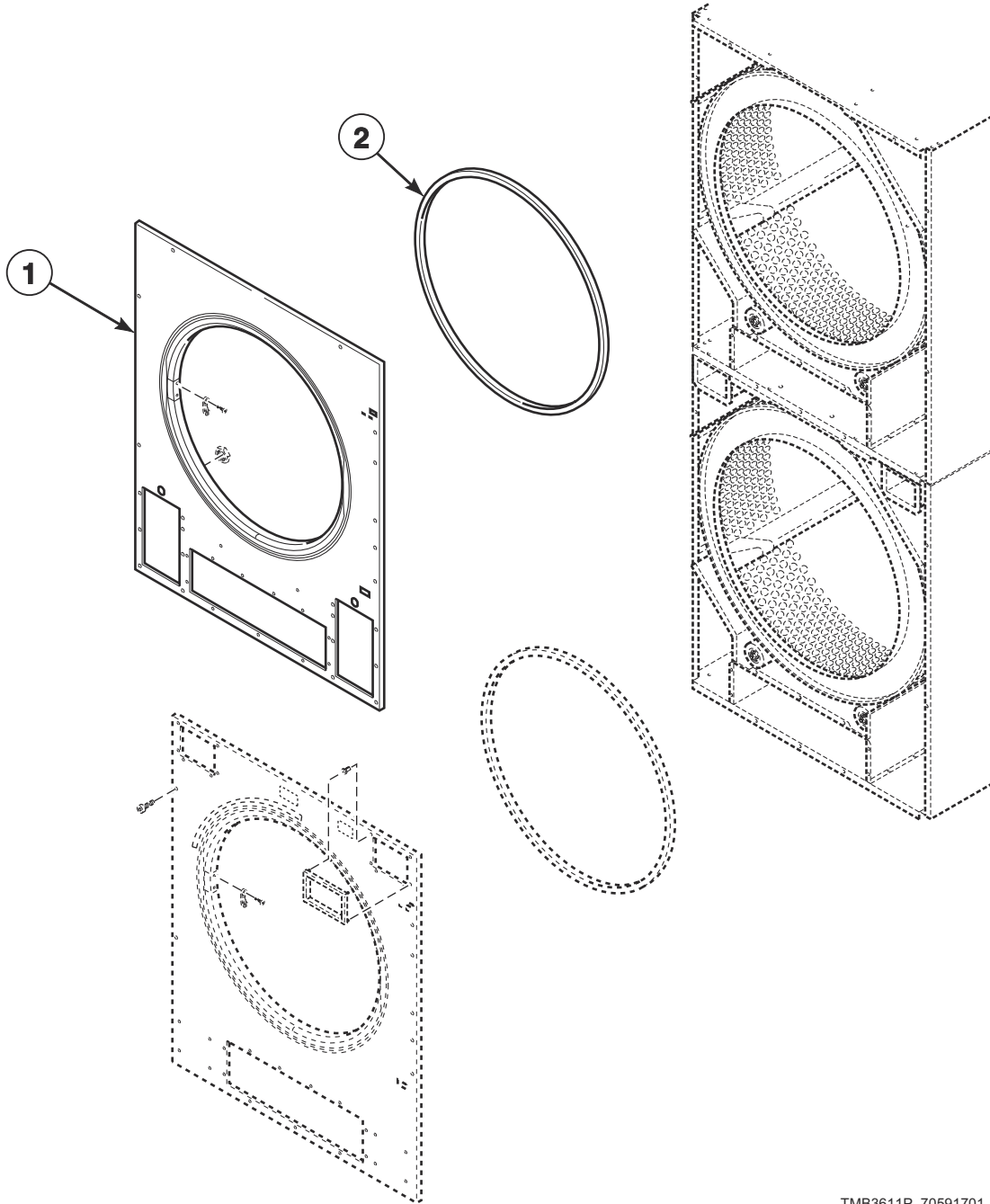
TMB3459P_70591701

Hinge Components

REF	PART NO.	DESCRIPTION	COMMENTS
1	44088001	Nut	
2	70532101	Door Switch Actuator	Bottom
3	44075205*	Door Hinge Assembly	H, M, N, S and U models
	44075212	Door Hinge Assembly	H, M, S and U models; Stainless steel
	44075209LG	Door Hinge Assembly	Light gray; P and U models
	44075209B	Door Hinge Assembly	Black; B, G, K and N models; P models with white and stainless steel front panel
4	70576101	Screw	
5	70532102	Door Switch Actuator	Top
6	M400044	Screw	
7	M4772P3	Cam and Hinge Kit	H, M, P, S and U models
	M4773P3	Cam and Hinge Kit	Black; B, G, K and N models; P models with white and stainless steel front panel
8	70071401	Pin	
9	70033502	Screw	H, M, P, S and U models
	70407301	Screw	Black; B, G, K and N models; P models with white and stainless steel front panel
10	44035001	Door Hinge Lug Assembly	H, M, P, S and U models
	44035002	Door Hinge Lug Assembly	Black; B, G, K and N models; P models with white and stainless steel front panel
11	70436301	Screw	
12	70058501	Pop Rivet	

* Add Letter To Designate Color. Q - Bisque W - White

Upper Front Panel Assemblies



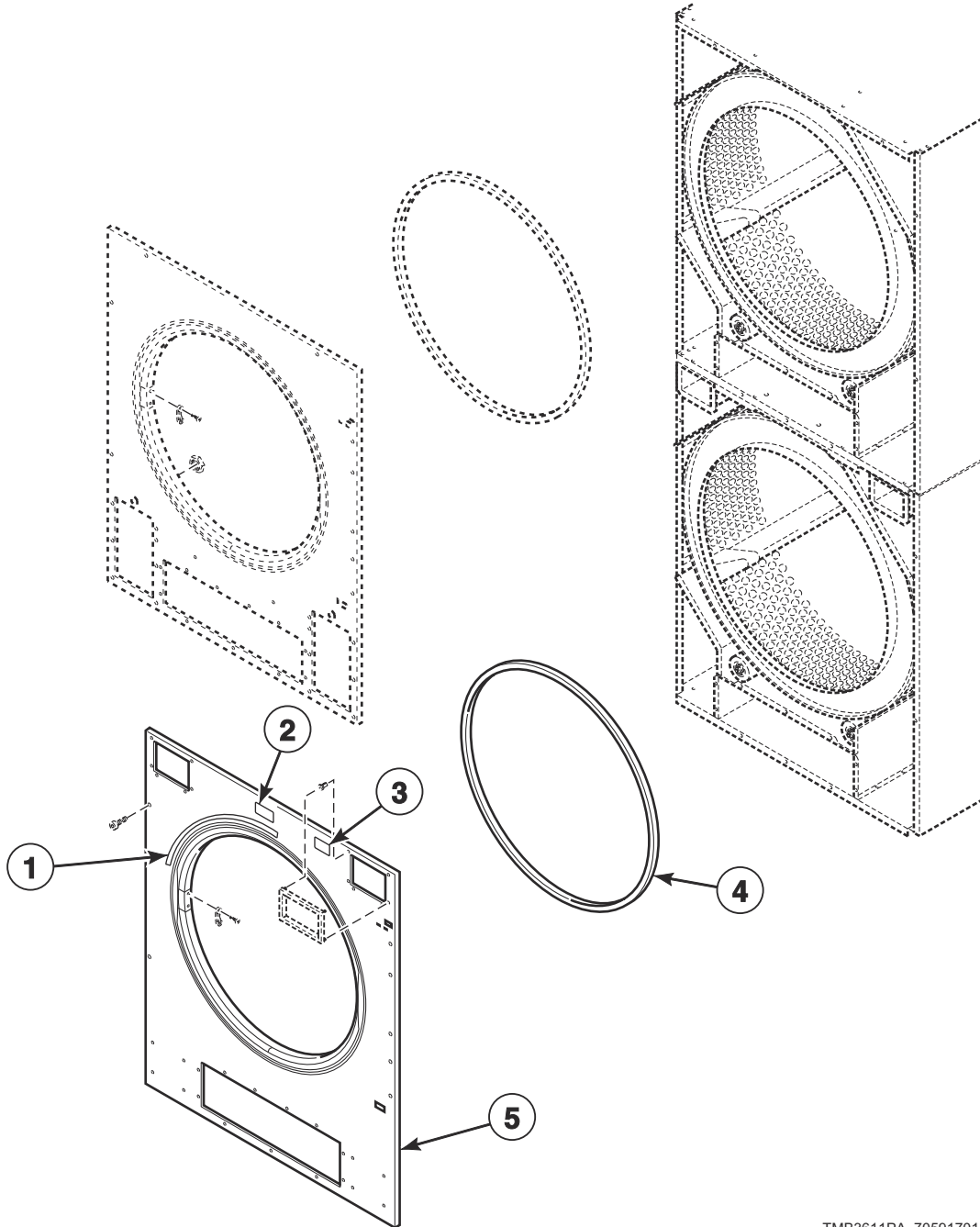
TMB3611P_70591701

Upper Front Panel Assemblies

REF	PART NO.	DESCRIPTION	COMMENTS
	70399406	Access Panel Trim	G and K models
1	70523201*	Upper Front Panel	B, G, H, K, M, N, S and U models; P models with white front panel
	70523202	Upper Front Panel	All models except N and P models; Stainless steel
	70523203	Upper Front Panel	P models; Stainless steel
	70523205DG	Upper Front Panel	P models; Dark gray
	70523205LG	Upper Front Panel	U models; Light gray
2	70173401P	Front Panel Seal	Requires D511637P Adhesive

* Add Letter To Designate Color. **Q** - Bisque **W** - White

Lower Front Panel Assemblies



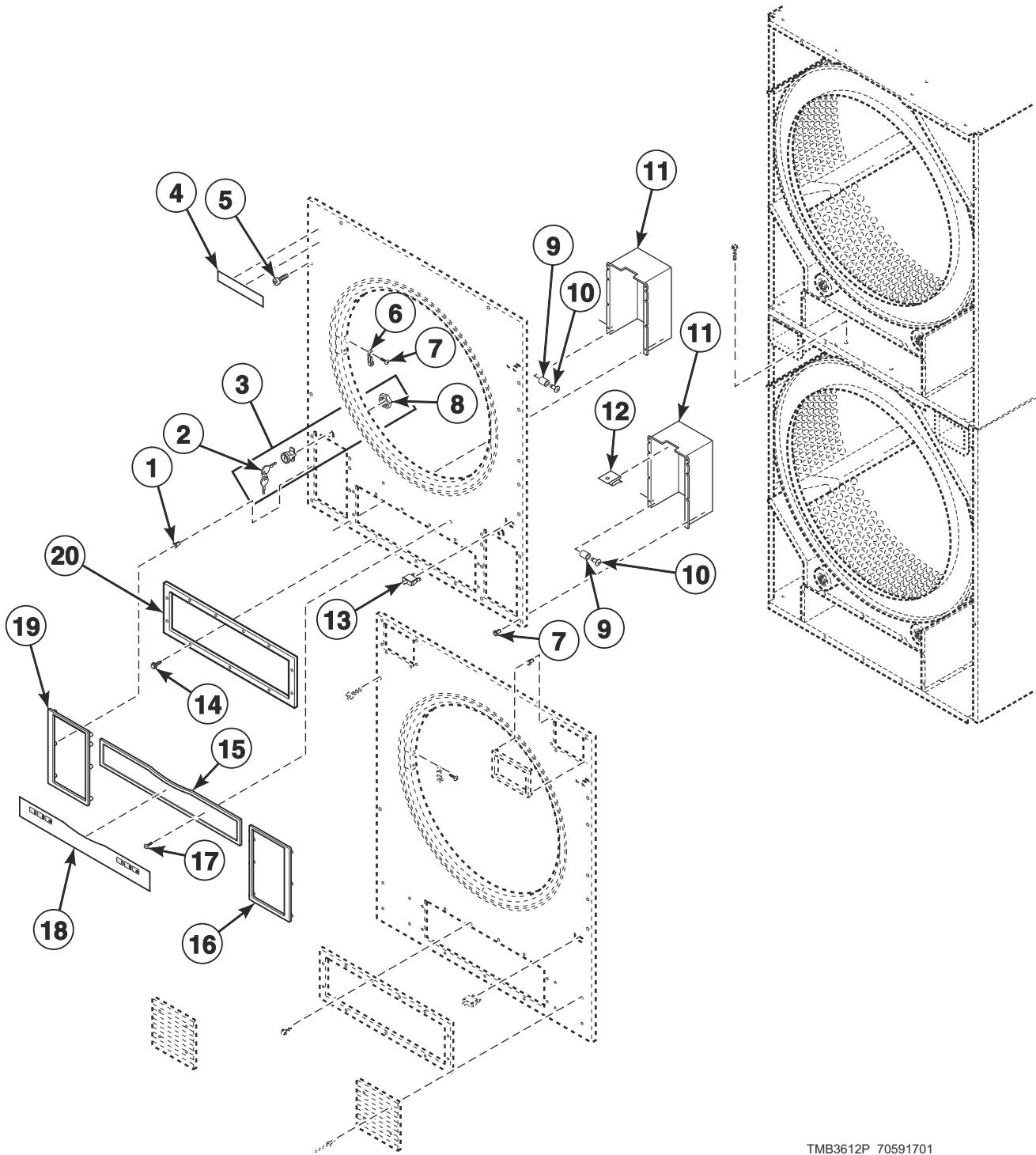
TMB3611PA_70591701

Lower Front Panel Assemblies

REF	PART NO.	DESCRIPTION	COMMENTS
	70399406	Access Panel Trim	G and K models
1	70534401	Warning Label	English
	70534402	Warning Label	French
	70534400	Label Kit	Warning; IEC models
2	70472801	Label	U models
3	562738	Label	U models
4	70173401P	Front Panel Seal	Requires D511637P Adhesive
5	70523701*	Lower Front Panel	All models except NT, P and U models; Coin
	70523711DG	Lower Front Panel	P models; Coin; Dark gray
	70523702	Lower Front Panel	All models except NT, P and U models; Coin; Stainless steel
	70523703*	Lower Front Panel	All models except NT, P and U models; Card and central pay
	70523709DG	Lower Front Panel	P models; Card and central pay; Dark gray
	70523704	Lower Front Panel	All models except NT, P and U models; Card and central pay; Stainless steel
	70523715*	Lower Front Panel	All models except P models; OPL
	70523717DG	Lower Front Panel	P models; OPL; Dark gray
	70523717LG	Lower Front Panel	U models; OPL; Light gray
	70523716	Lower Front Panel	All models except P models; OPL; Stainless steel

* Add Letter To Designate Color. Q - Bisque W - White

Upper Cabinet Front Components

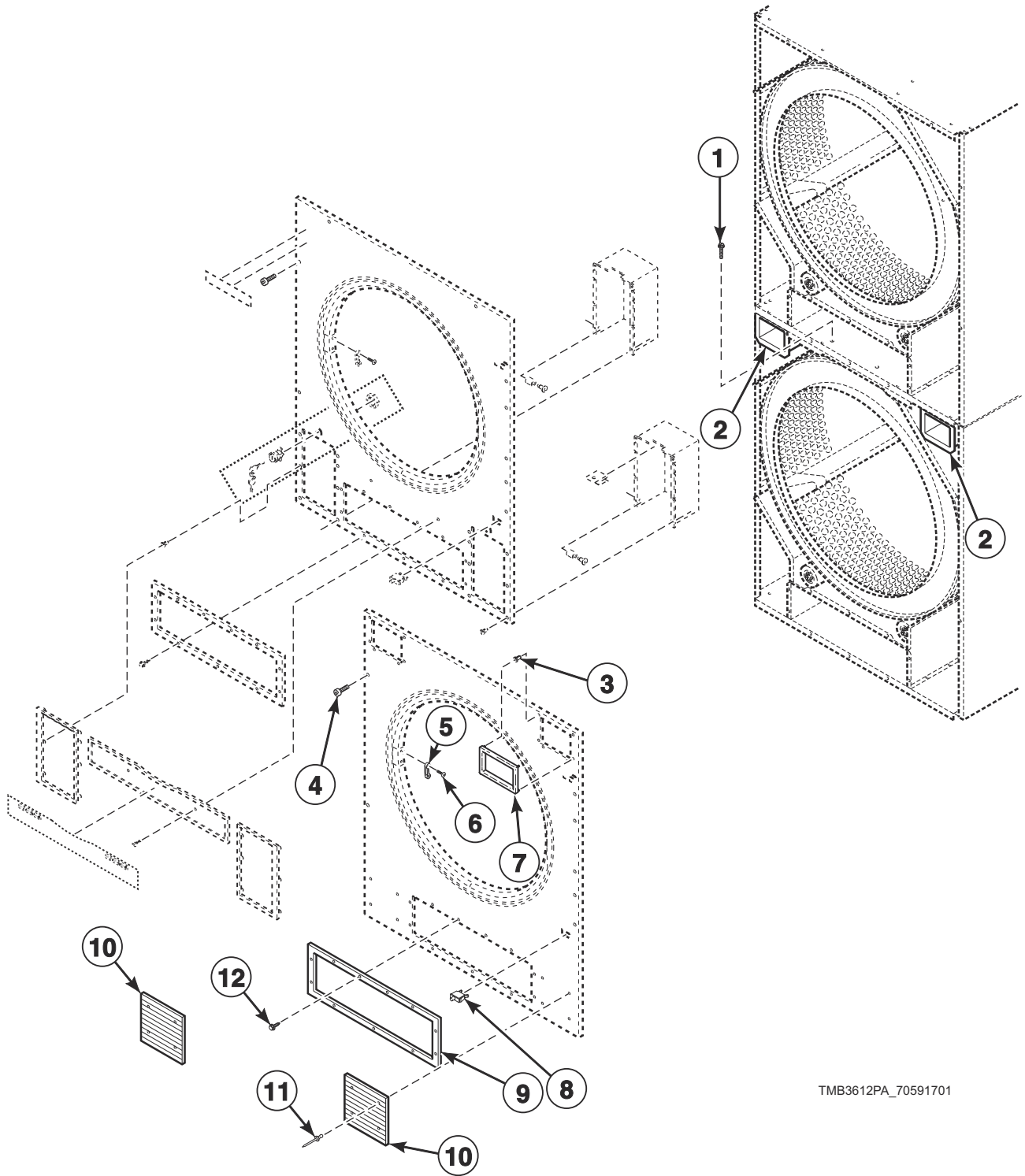


TMB3612P_70591701

Upper Cabinet Front Components

REF	PART NO.	DESCRIPTION	COMMENTS
	44334102	Coin Vault Switch Harness	
	44334103	Bypass Harness	
	70017301	Front Panel Baffle Seal	2 required
	M410892	Warning Label	
1	M400972	Shadow Box Clip	6 required per coin vault trim
2	70155601	Key	RL001
3	44089301P	Lock, Key and Nut Kit	RL001
	44089304	Panel Lock	RL001; Chrome
4	B12389801	Nameplate	B models
	70411401	Nameplate Overlay	G models
	44144401	Nameplate Overlay	K models
	F8443105	Nameplate	U models
5	70033502	Screw	For painted front panels
	70182601	Screw	For stainless steel front panels
6	M401223	Door Latch	
7	44166601	Pop Rivet	2 required for item 6; 4 required for item 12
8	44088801	Nut	Panel lock
9	431264	Spacer	2 required
10	44251101	Pop Rivet	2 required
11	70119901	Control Housing	
12	M406494	Panel Clip	2 required per control housing
13	70413301	Pushbutton Switch	Door switch
14	70275801	Screw	8 required
15	70299601	Center Trim	M, N and P models; Center
16	70117002	Control Trim	H models; Gray; Right
	70116905	Control Trim	U models; Gray; Right
	70116901	Control Trim	All other models; Black; Right
17	M405188	Screw	M, N and P models; 2 required
18	70542101	Overlay	N and P models; Coin
	70554601	Overlay	M, N and P models
19	70117002	Control Trim	H models; Gray; Left
	70116906	Control Trim	U models; Gray; Left
	70116902	Control Trim	All other models; Black; Left
20	70117901P	Lint Drawer Gasket	

Lower Cabinet Front Components



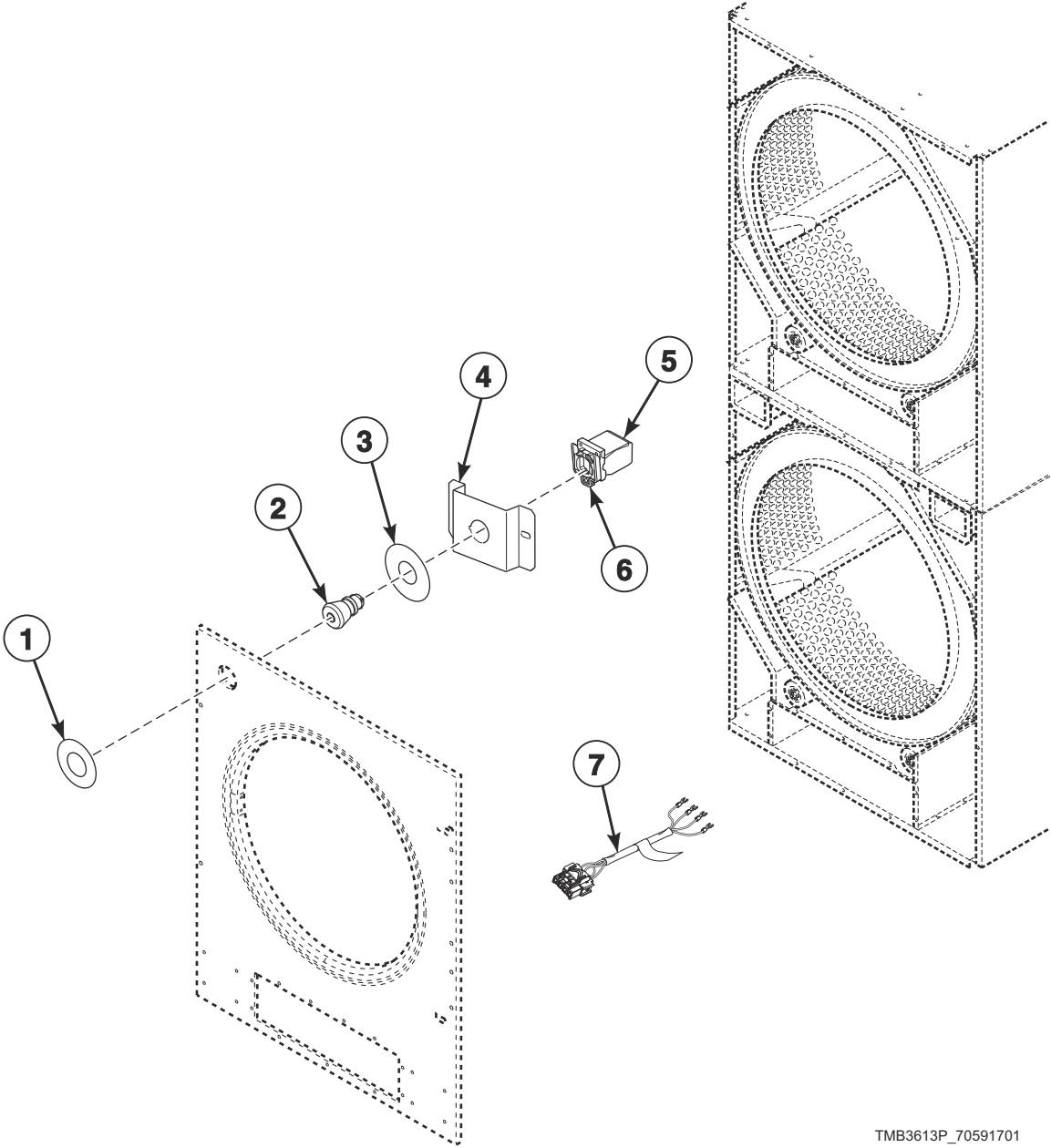
TMB3612PA_70591701

Lower Cabinet Front Components

REF	PART NO.	DESCRIPTION	COMMENTS
	M4379P4	Tumbler Dolly Kit	
	M410892	Warning Label	
	70017301	Front Panel Baffle Seal	2 required
1	70069901	Screw	
2	70529501	Coin Vault Assembly	
	70529503	Coin Vault and Emergency Stop Mount Assembly	Models with emergency stop
3	M400972	Shadow Box Clip	6 required per coin vault trim
4	70033502	Screw	For painted front panels
	70182601	Screw	For stainless steel front panels
5	M401223	Door Latch	
6	44166601	Pop Rivet	2 required per latch; 4 required per control housing
7	70117501	Coin Vault Trim	H models; Gray
	70117502	Coin Vault Trim	All models except U models; Black
8	70413301	Pushbutton Switch	Door switch
9	70117901P	Lint Drawer Gasket	
10	70117618	Kickplate	H and U models; Gray
	70117605	Kickplate	All other models; Black
11	70126401	Pop Rivet	H and U models; 4 required per kickplate; Gray
	70126301	Pop Rivet	All other models; 4 required per kickplate; Black
12	70275801	Screw	8 required

Emergency Stop Button - OPL Models

A, H, J, K, R and U in the 2nd Position
G and T in the 2nd Position Through 12/31/18

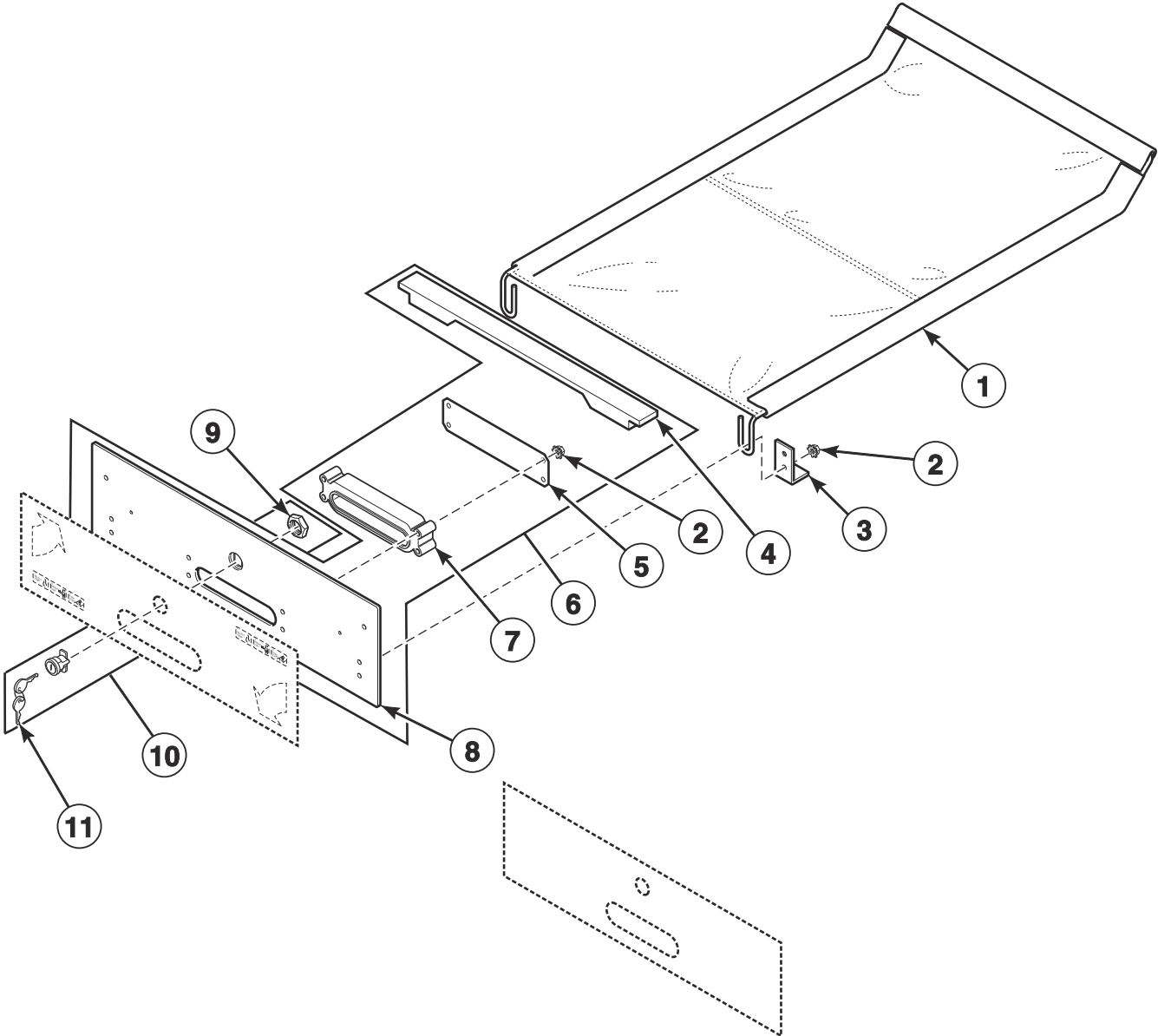


TMB3613P_70591701

Emergency Stop Button - OPL Models

REF	PART NO.	DESCRIPTION	COMMENTS
	70580301	Emergency Stop Button Kit	Includes items 2-4
	F8519403	Emergency Stop Bypass Harness	Coin, card and central pay
	44272105	Interconnect Harness	
1	44012903	Emergency Stop Label	
2	F200233500	Emergency Stop Pushbutton	
3	44012901	Emergency Stop Label	
4	70550401	Emergency Stop Mounting Bracket	
5	F8069501	Contact Switch	4 required
6	F8538101	Contact Base	
7	44272401	Emergency Stop Harness	Primary
	44272402	Emergency Stop Harness	Supplementary

Lint Drawer Components

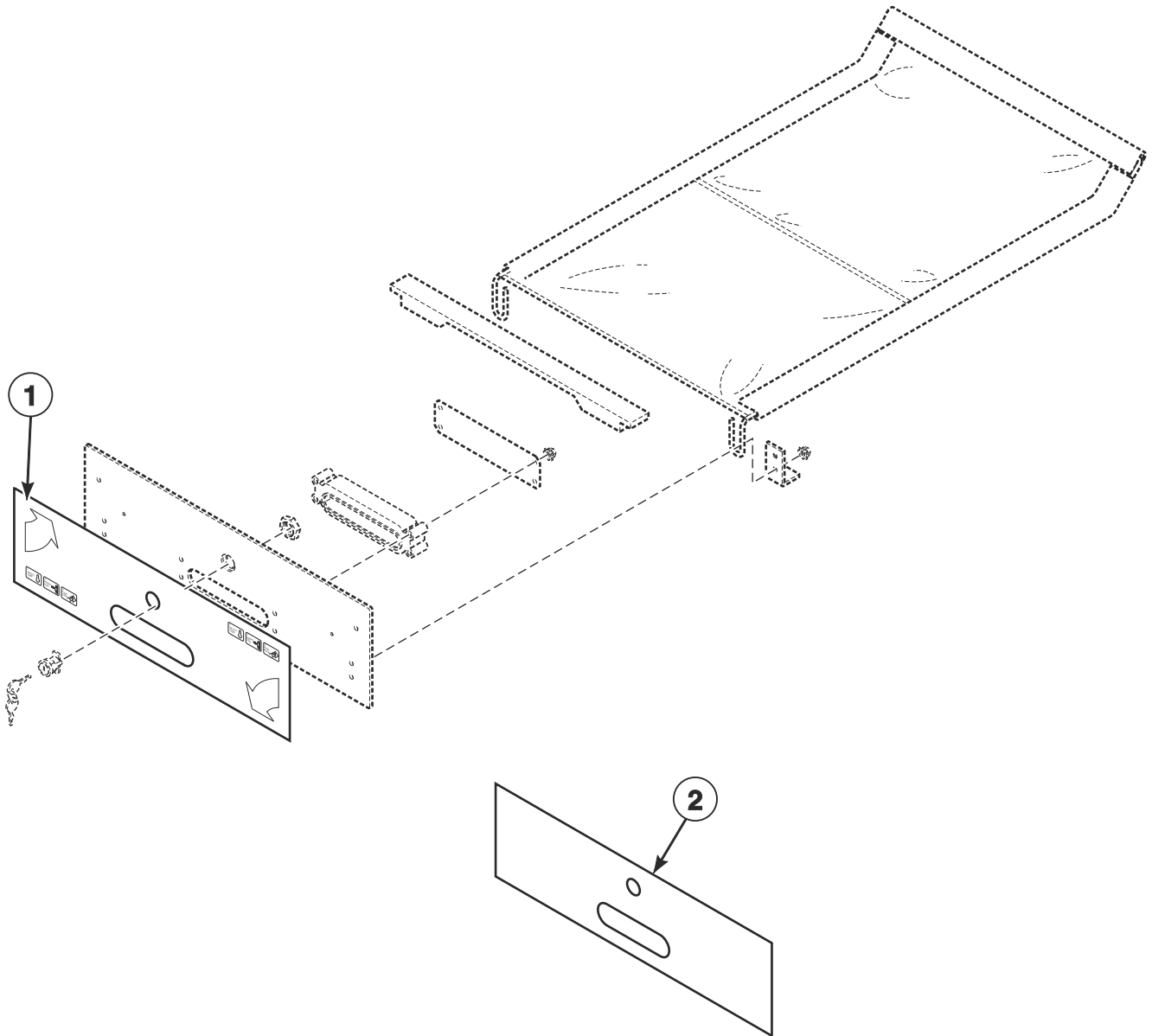


TMB3578P_70591701

Lint Drawer Components

REF	PART NO.	DESCRIPTION	COMMENTS
	70342401	Lock Shim	Black
	70342402	Lock Shim	Gray
1	70301201	Lint Screen Assembly	
2	44087101	Nut	6 required
3	70026901	Lint Screen Bracket	2 required
4	70333101	Lint Frame Gasket	
5	70323201	Lint Drawer Handle Plate	
6	70322901P	Lint Drawer Front Kit	Black; Includes 70342401 Lock Shim
	70322902P	Lint Drawer Front Kit	Gray; Includes 70342402 Lock Shim
7	70320801	Lint Drawer Handle	Black
	70320802	Lint Drawer Handle	Gray
8	70323004	Lint Panel and Studs Assembly	Gray
	70323003	Lint Panel and Studs Assembly	Black
9	44088801	Nut	
10	44089302P	Lock, Key and Nut Kit	RL002
	44089305	Panel Lock	RL002; Chrome
11	70155602	Key	RL002

Lint Drawer Overlays

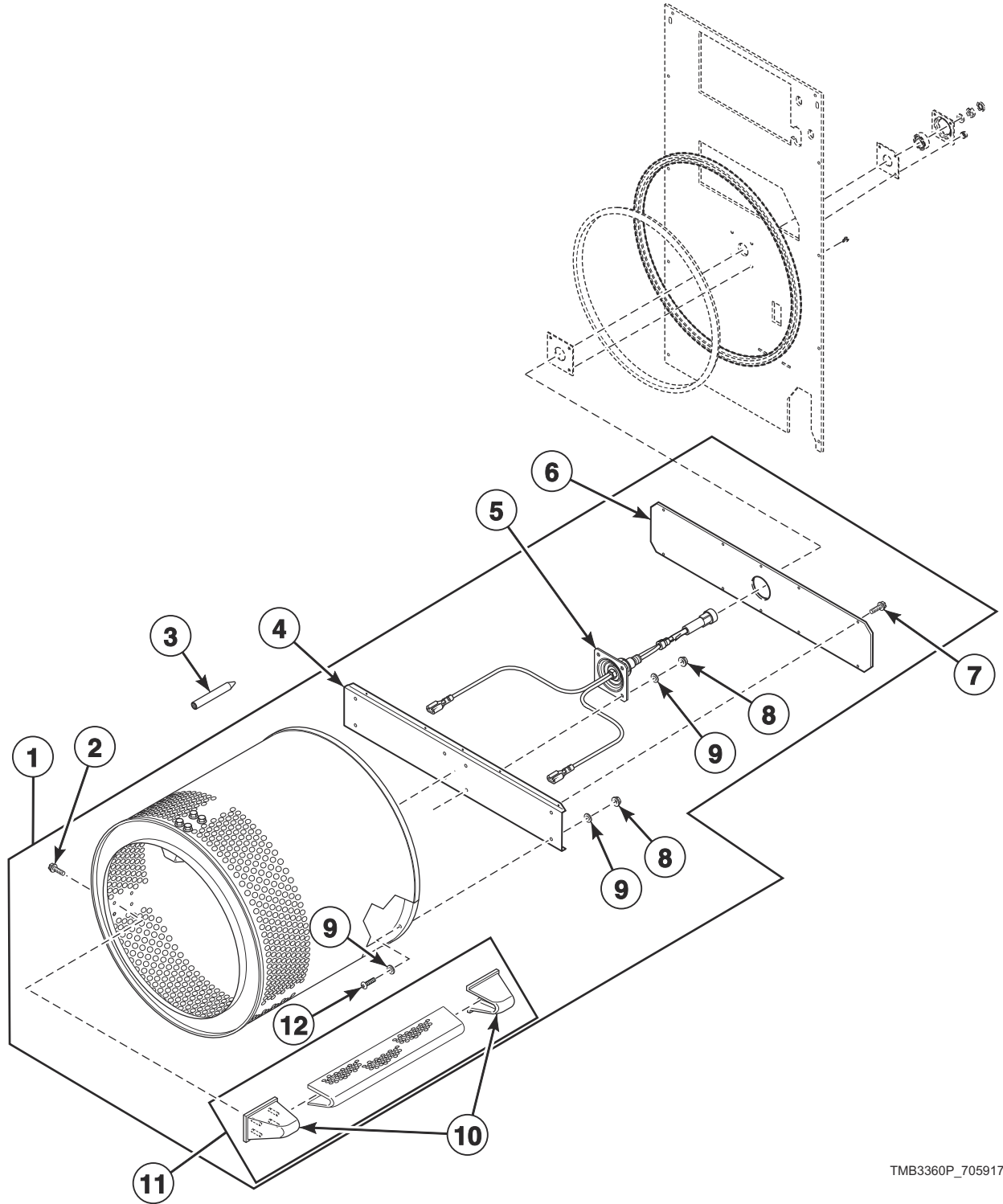


TMB3578PA_70591701

Lint Drawer Overlays

REF	PART NO.	DESCRIPTION	COMMENTS
1	70408002	Overlay	B models; Upper lint drawer; Icon
	70573201	Overlay	B and N models; Upper lint drawer; Vend
	70548001	Overlay	G and K models; Upper lint drawer
	70572101	Overlay	H models; Gray/Green; Upper lint drawer
	70572301	Overlay	H models; Green; Upper lint drawer
	70508801	Overlay	H models; Gray; Upper lint drawer; OPL
	70524501	Overlay	H models; Gray; Upper lint drawer; Vend
	70598401	Overlay	M models; Upper lint drawer
	70545301	Overlay	P models; Upper lint drawer
	70569201	Overlay	S models; Upper lint drawer; OPL
	70569401	Overlay	S models; Upper lint drawer; Vend
	70519501	Overlay	U models; Upper lint drawer
	2	70428702	Overlay
70552601		Overlay	H and U models; Lower lint drawer

Cylinder and Trunnion Components

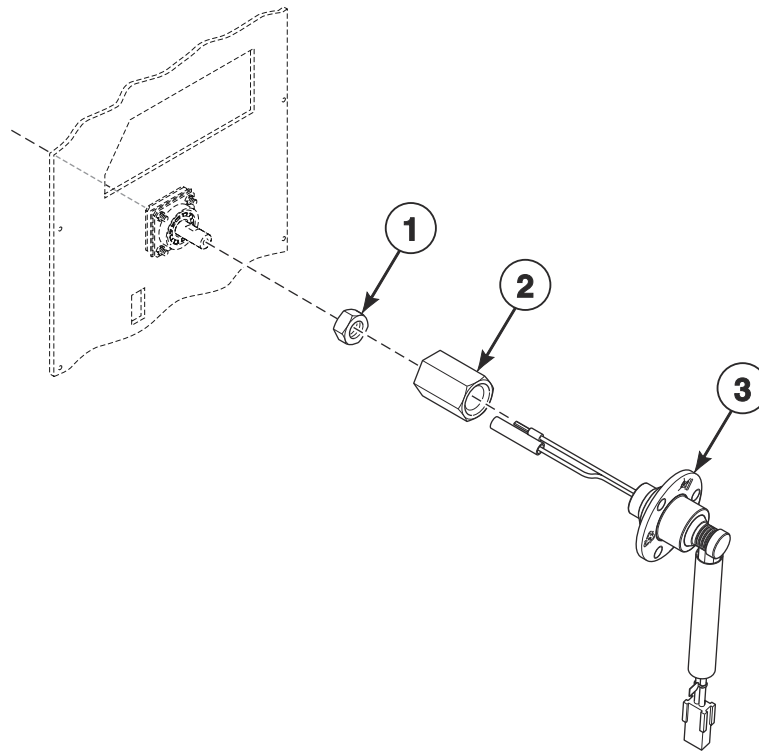


TMB3360P_70591701

Cylinder and Trunnion Components

REF	PART NO.	DESCRIPTION	COMMENTS
	70343101P	Drywall Screw Magnet Kit	Includes 6 magnets and 6 screws
1	70372903	Cylinder Assembly	K models; Non-moisture sensing
	70372901P	Cylinder Assembly	All models except K models; Galvanized; Non-moisture sensing
	70372902P	Cylinder Assembly	All models except K models; Stainless steel; Non-moisture sensing
	70444003	Cylinder and Trunnion Assembly	G and K models; Moisture sensing
	70444001P	Cylinder and Trunnion Assembly	All models except G and K models; Galvanized; Moisture sensing
	70444002	Cylinder and Trunnion Assembly	All models except G and K models; Stainless steel; Moisture sensing
2	62588	Screw	
3	263P4	Cylinder Guide Tool	
4	70305201	Rear Cylinder Channel	Non-moisture sensing
	70305202	Rear Cylinder Channel	Moisture sensing
5	70564805	Trunnion and Seal Kit	Non-moisture sensing
	70564806	Trunnion and Seal Kit	Moisture sensing; Includes 70454601 Trunnion and Wire Assembly
6	70305301	Rear Cylinder Channel Plate	
7	430497	Screw	10 required
8	M412986	Nut	
9	70411301	Washer	
10	70070101	End Cap	Non-moisture sensing
	70070102	End Cap	Moisture sensing
11	70433001	Cylinder Rib Assembly	Moisture sensing
12	70391101	Screw	8 required

Moisture Sensing Components

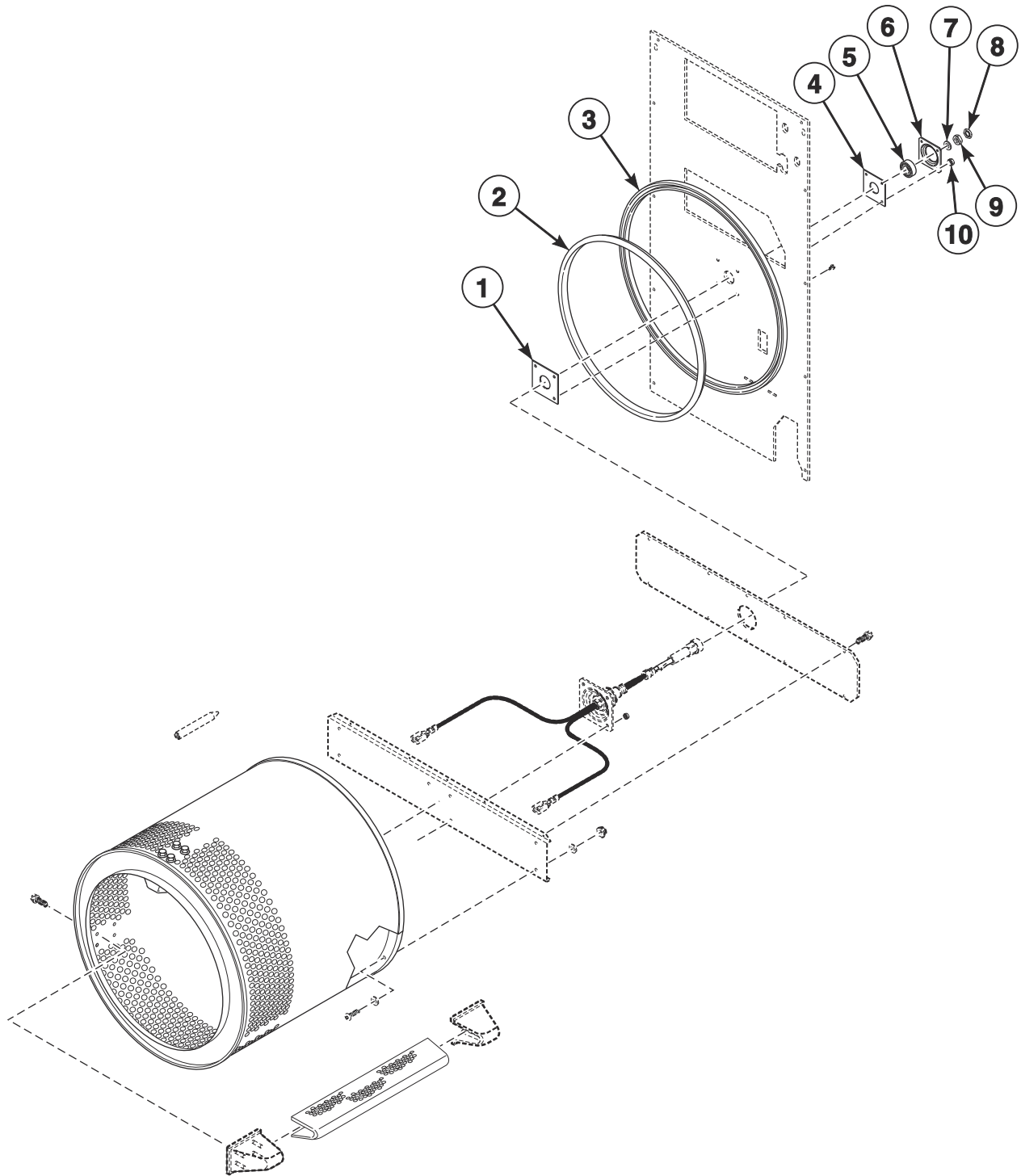


TMB3579P_70591701

Moisture Sensing Components

REF	PART NO.	DESCRIPTION	COMMENTS
1	M400035	Nut	
2	70455401	Slip Ring Holder	
3	44222701	Slip Ring Assembly	

Bearing Components

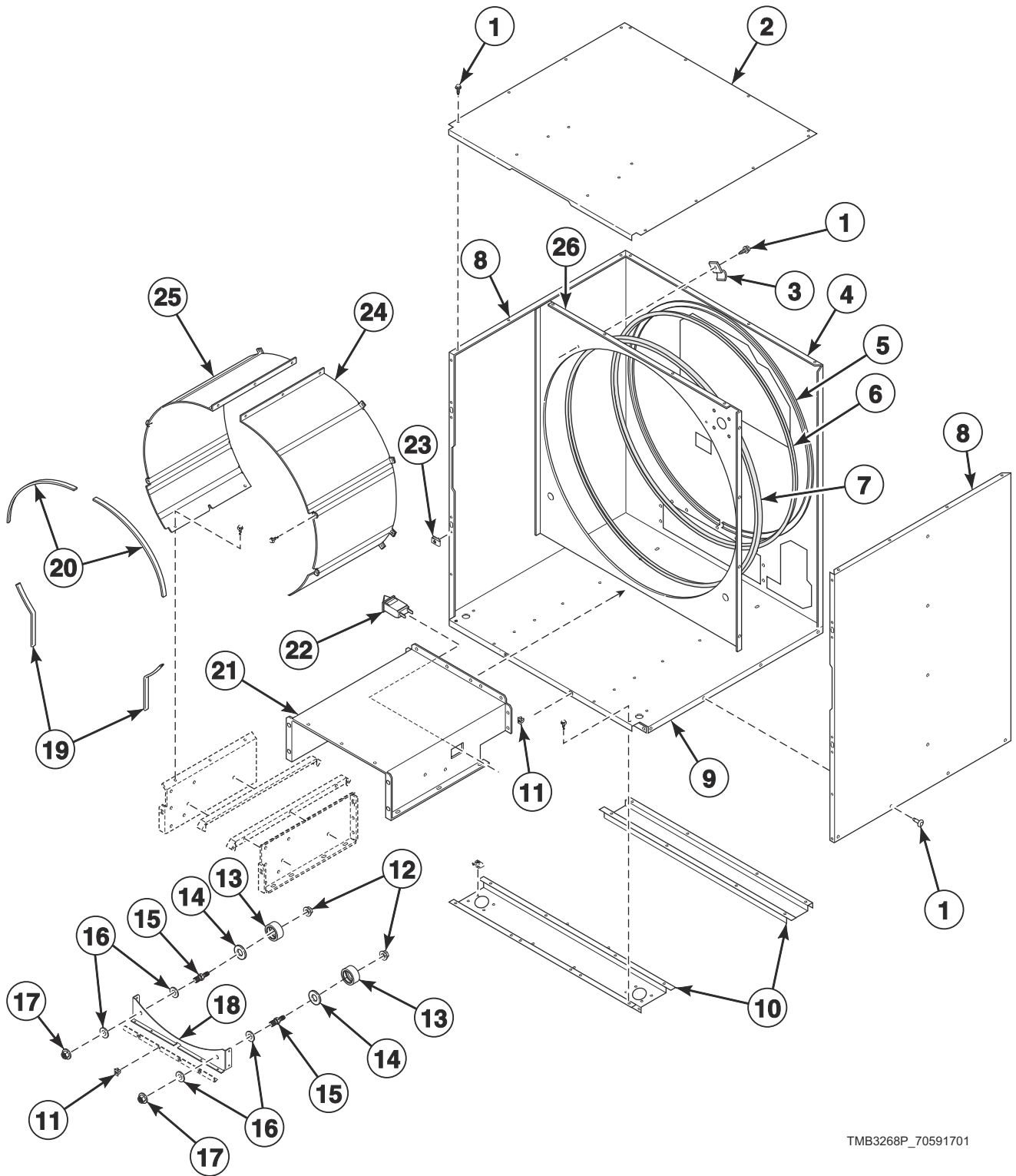


TMB3163PA_70591701

Bearing Components

REF	PART NO.	DESCRIPTION	COMMENTS
1	430352	Cylinder Bearing Stud Plate Assembly	
2	70013701P	Rear Cylinder Seal	Requires D511637P Adhesive
3	70506402	Rear Cylinder Seal Support	
4	70355001	Rear Bearing Shim	
5	70448701	Support Bearing	
6	70013901	Rear Cylinder Bearing Housing	
7	M400991	Washer	
8	M400034	Nut	
9	M400022	Nut	
10	M412986	Nut	

Cabinet Components



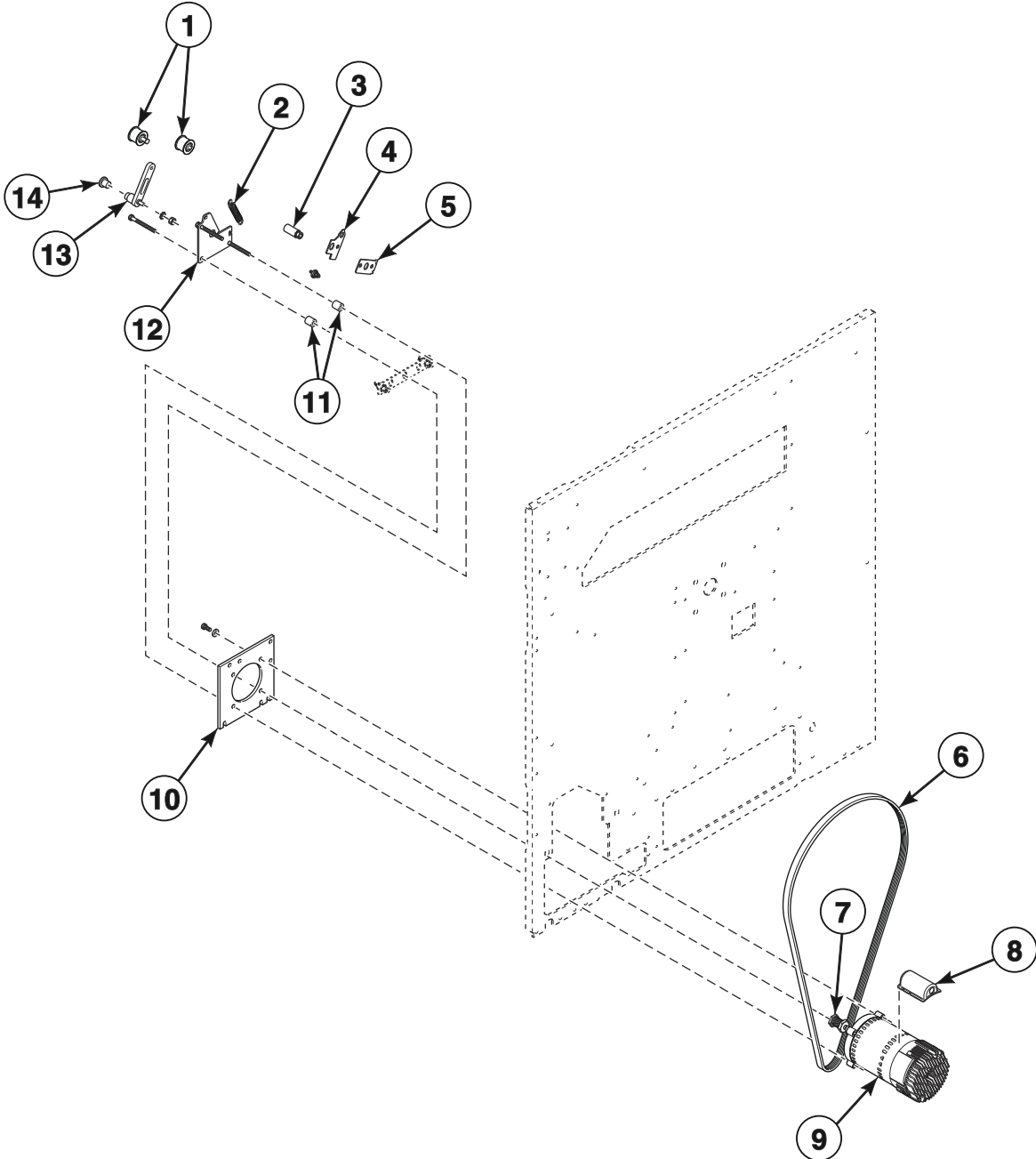
TMB3268P_70591701

Cabinet Components

REF	PART NO.	DESCRIPTION	COMMENTS
	298P4P	Spray Paint	White
	381P4	Spray Paint	Bisque
	122P4P	Porcelain Touch-Up Paint	White
	370P4P	Porcelain Touch-Up Paint	Bisque
	430352	Cylinder Bearing Stud Plate Assembly	
	70058501	Pop Rivet	
	21899	Nut	For leveling legs
	70247701	Screw	For leveling legs
1	430497	Screw	
2	70339601	Top Panel	Upper
3	70226701	Clip	
4	70560501	Rear Panel	
5	70506402	Rear Cylinder Seal Support	
6	70013701P	Rear Cylinder Seal	Requires D511637P Adhesive
7	70066005	Center Cylinder Seal	Includes center cylinder seal support and center cylinder seal
8	70301801LG	Side Panel	U models; Light gray
	70301801DG	Side Panel	P models; Dark gray
	70301801*P	Side Panel	All other models
9	70339501	Top Panel	Lower
10	70288201	Channel Base Assembly	
11	70030501	Expansion Clip	
12	430576	Nut	
13	70568201	Roller and Seal Kit	
14	70443601	Roller Seal	
15	70249501	Roller Shaft	
16	70261401	Washer	
17	70288801	Nut	
18	70339001	Roller Support Bracket	
19	70015711	Sheet Metal Edge Gasket	Lower
20	70015712	Sheet Metal Edge Gasket	Upper
21	70500201	Air Duct	Rear
22	431159	Switch	For lint drawer
23	70030401	Nut	
24	70339301	Cylinder Shroud	Right
25	70339302	Cylinder Shroud	Left
26	70339201	Center Partition	

* Add Letter To Designate Color. Q - Bisque W - White

Drive Motor Components

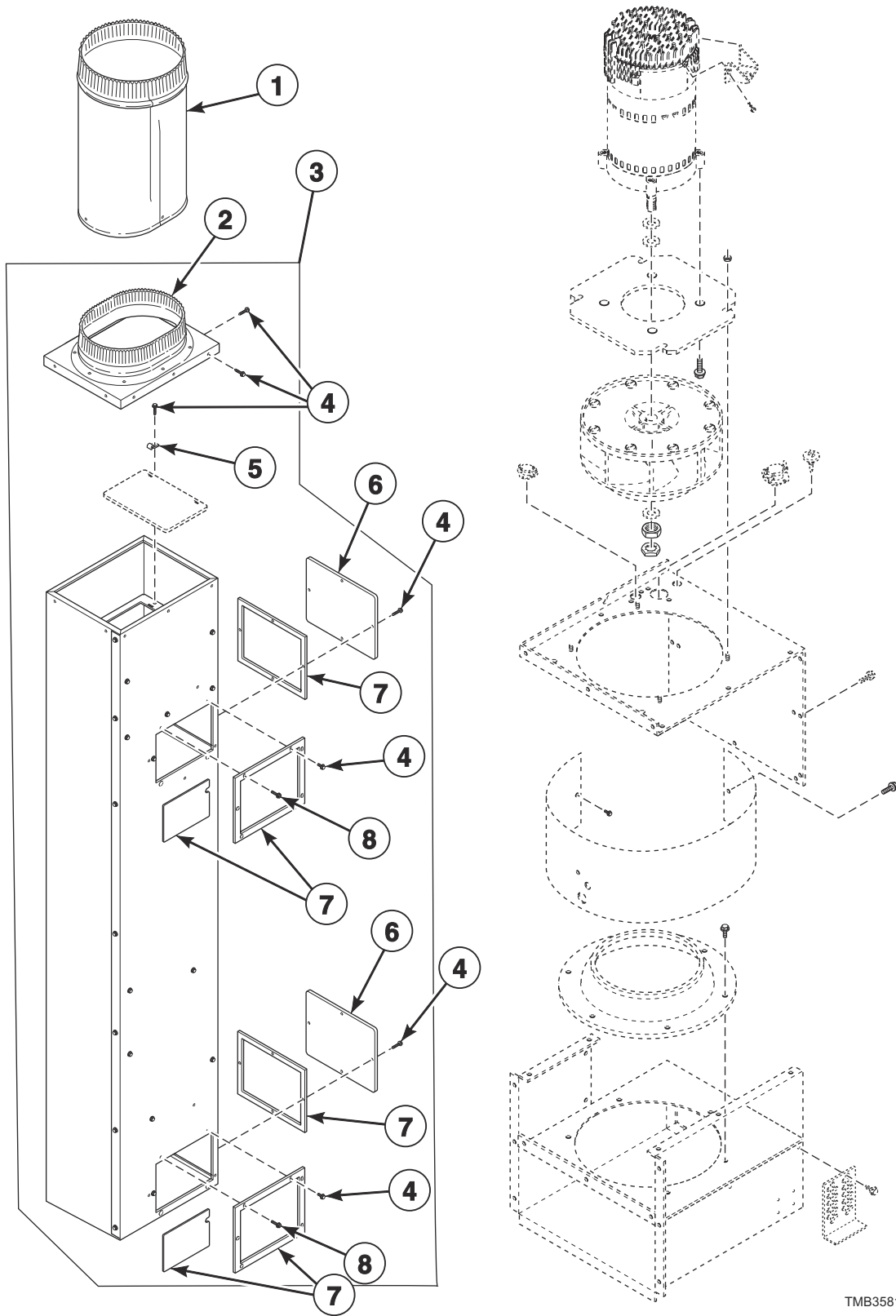


TMB3655P_70591701

Drive Motor Components

REF	PART NO.	DESCRIPTION	COMMENTS
	44333202	Nut	Use with item 7
	70144101	Key	Use with idler shaft
	70554901	Limit Access Bracket	Use with idler shaft
	44335303	Inverter Motor Harness	Cylinder
1	70050401P	Idler Wheel Assembly	
2	70571801	Spring	
3	70569603	Standoff	
4	70569501	Tensioning Bracket	
5	70543401	Spring Catch Bracket	
6	70276207	V-Belt	
7	70559101	Motor Pulley	
8	70521901	Motor Conduit Mounting Bracket	
9	44259501P	Drive Motor	.50 HP; 120, 230 Volt/1 Phase
	44259601P	Drive Motor	.50 HP; 460 Volt/3 Phase
10	70564201	Motor Mount Plate	
11	70488403	Spacer	
12	70571901	Drive Plate	
13	70543301	Pivot Arm Lever	
14	70542801	Bushing	

Exhaust Components

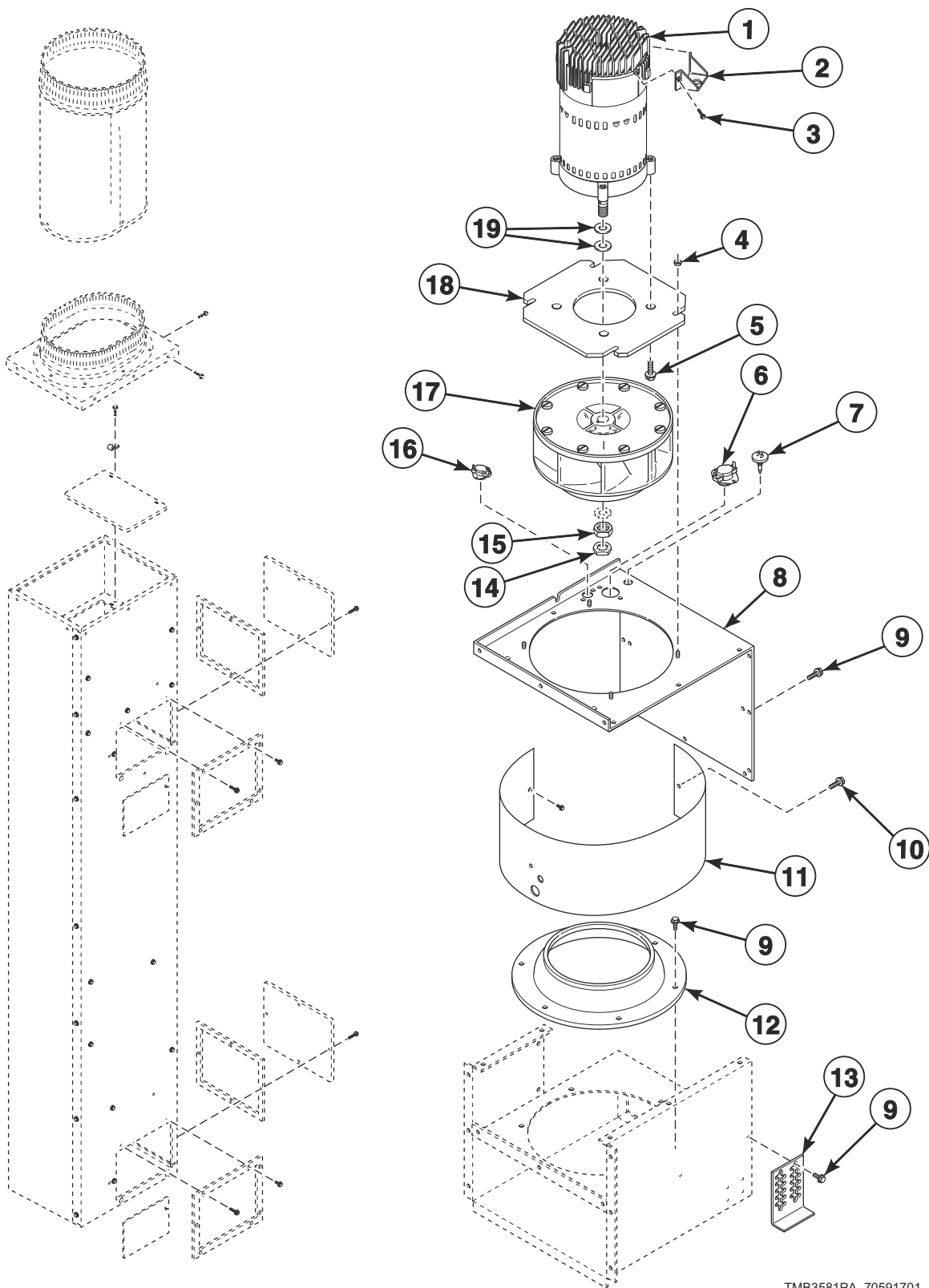


TMB3581P_70591701

Exhaust Components

REF	PART NO.	DESCRIPTION	COMMENTS
	70289101P	Lint Panel Gasket	Sold per foot
1	70425801	Exhaust Pipe Assembly	IEC models
2	70307601	Duct Cover	Top
3	70528501	Exhaust Duct Assembly	CSA models
	70528502	Exhaust Duct Assembly	IEC models
4	430497	Screw	12 required
5	70226701	Clip	
6	70308701	Duct Access Cover	2 required; Bottom
7	70302801P	Exhaust Duct Gaskets Assembly	2 required
8	M411072	Screw	2 required

Blower Components

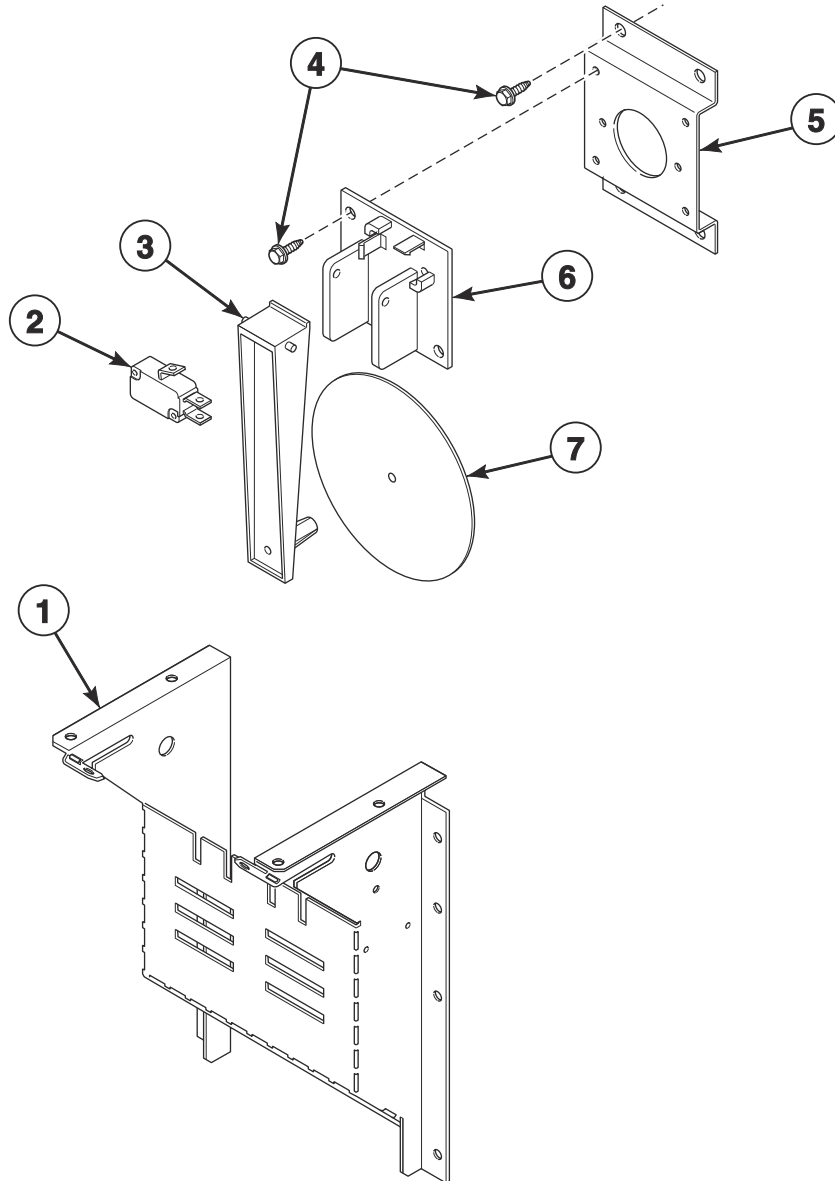


TMB3581PA_70591701

Blower Components

REF	PART NO.	DESCRIPTION	COMMENTS
	70392701P	Gasket	For blower housing opening
1	70478701P	Fan Motor	.50 HP; 120, 230 Volt/1 Phase
	70484901P	Fan Motor	.50 HP; 460 Volt/3 Phase
2	44317901	Motor Conduit Bracket	
3	23222	Screw	
4	29786	Nut	4 required
5	70126101	Screw	4 required
6	44328001	Limit Thermostat	
7	M414704	Thermistor	
8	70322802	Blower Housing Cover Assembly	
9	430497	Screw	12 required
10	51780	Screw	
11	70340801	Blower Housing Scroll	
12	70303101	Blower Inlet Cone	
13	70200301	Rear Stabilizer Bracket	
14	M400034	Nut	
15	M400022	Nut	
16	70530901	Limit Thermostat	
17	70302201P	Blower Assembly	
18	70341001	Blower Motor Mounting Plate	
19	M400991	Washer	3 required

Airflow Switch

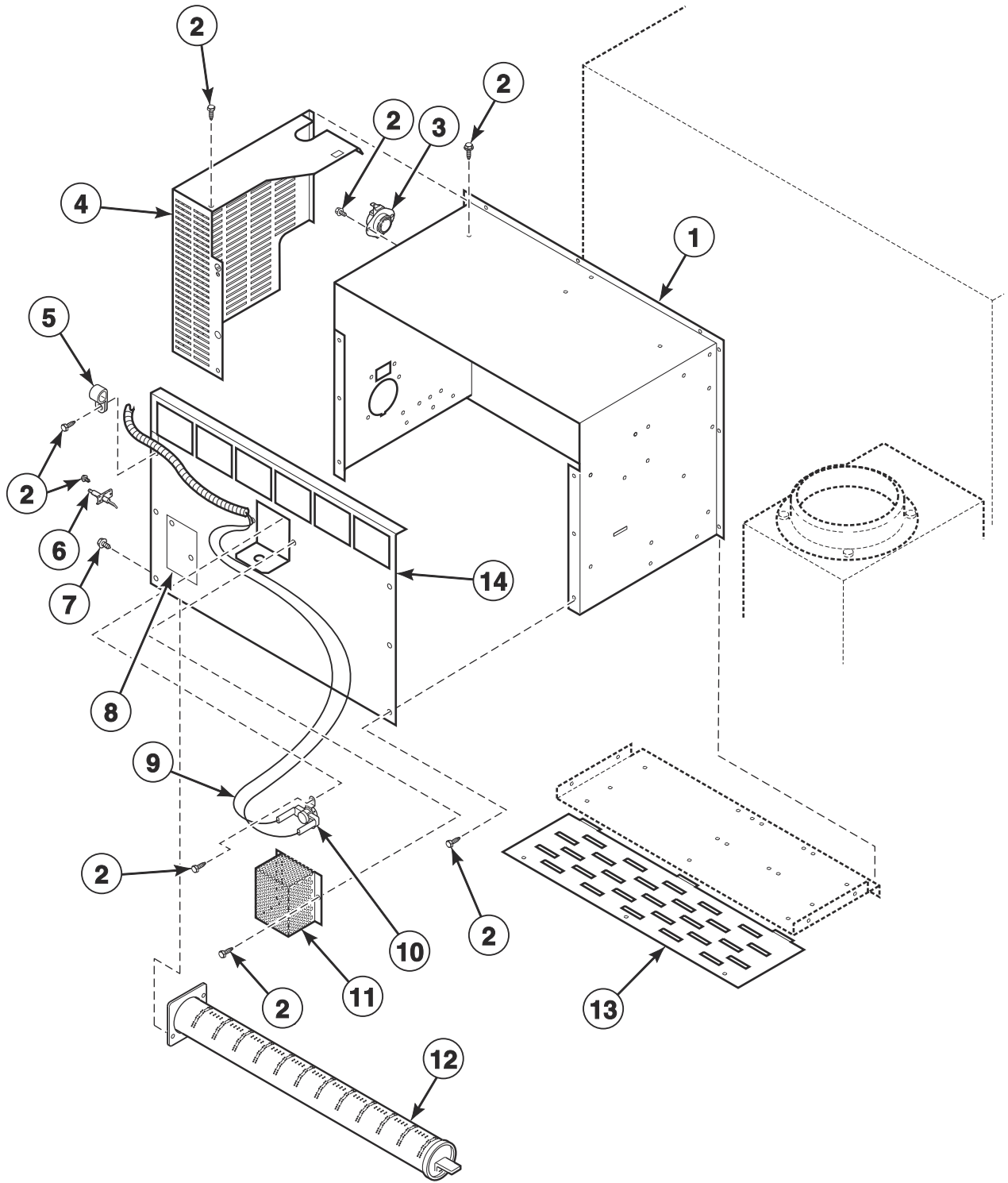


TMB3582P_70591701

Airflow Switch

REF	PART NO.	DESCRIPTION	COMMENTS
1	70356101	Airflow Switch Wrapper	
2	70411901	Switch	
3	70319401	Airflow Switch Arm	
4	430757	Screw	
5	70356301	Switch Bracket	
6	70319602	Airflow Switch and Arm Bracket	
7	70319201	Airflow Switch Vane	

Gas Burner Housing and Secondary Stove Limit

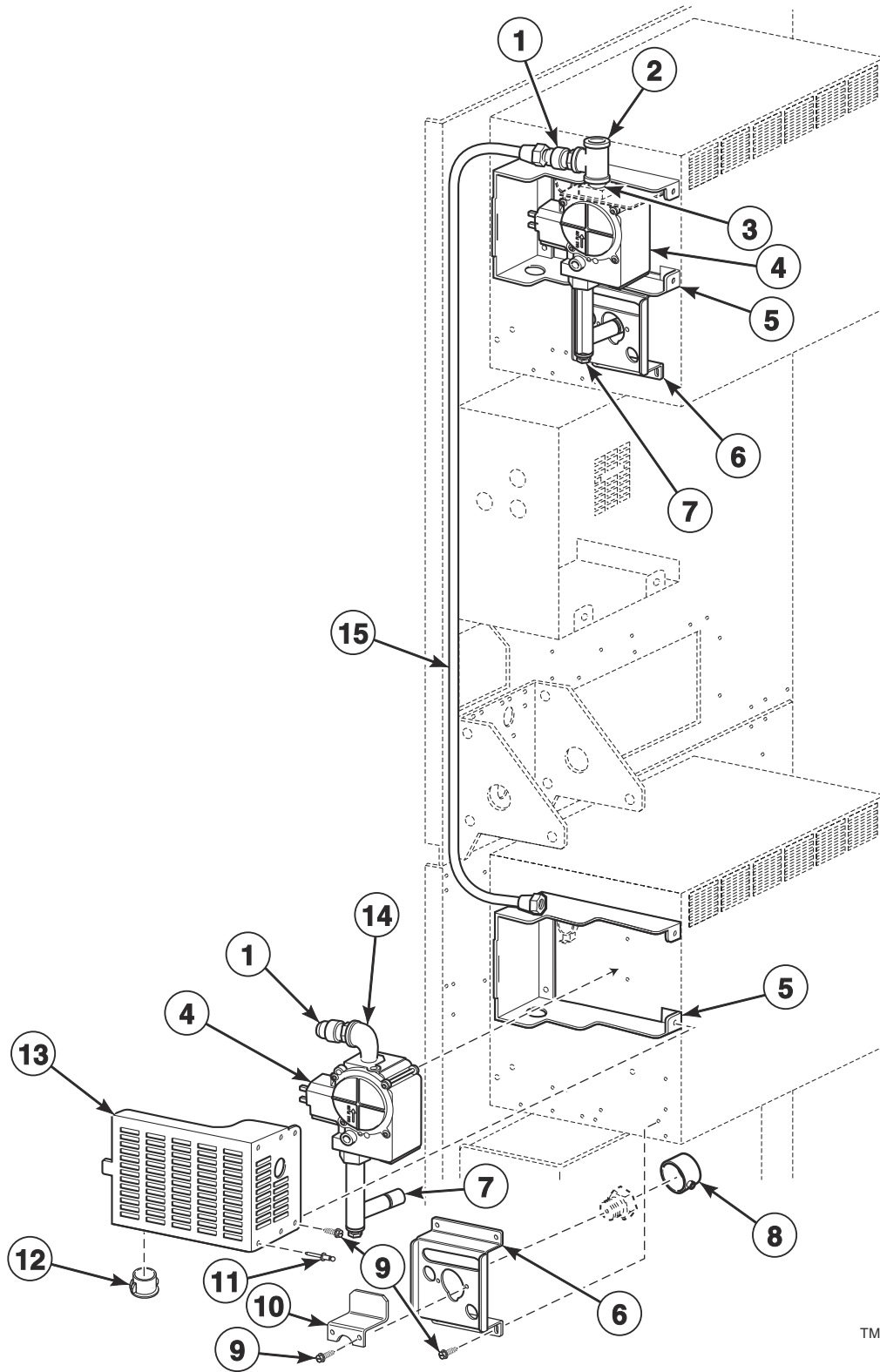


TMB2315P_70591701

Gas Burner Housing and Secondary Stove Limit

REF	PART NO.	DESCRIPTION	COMMENTS
1	70306001	Stove Top and Sides	
2	430497	Screw	
3	44328005	Limit Thermostat	Side
4	70233401	Gas Valve Cover	IEC models
5	70203701	Pipe Clip	
6	70548701P	Spark Electrode	
7	05161	Screw	
8	70159601	Igniter Cover	
9	70564301	Stove Limit Harness	
10	44328104	Limit Thermostat	Rear
11	M414477	Thermostat Cover	
12	70229801P	Gas Burner	
	70546701	Anti-Rattle Burner Assembly	Includes 70229801P Gas Burner, 431318 Control Door Latch and M400003 Pop Rivet
13	70306501	Burner Grill	
14	70375201	Stove Back	

Gas Valve and Piping

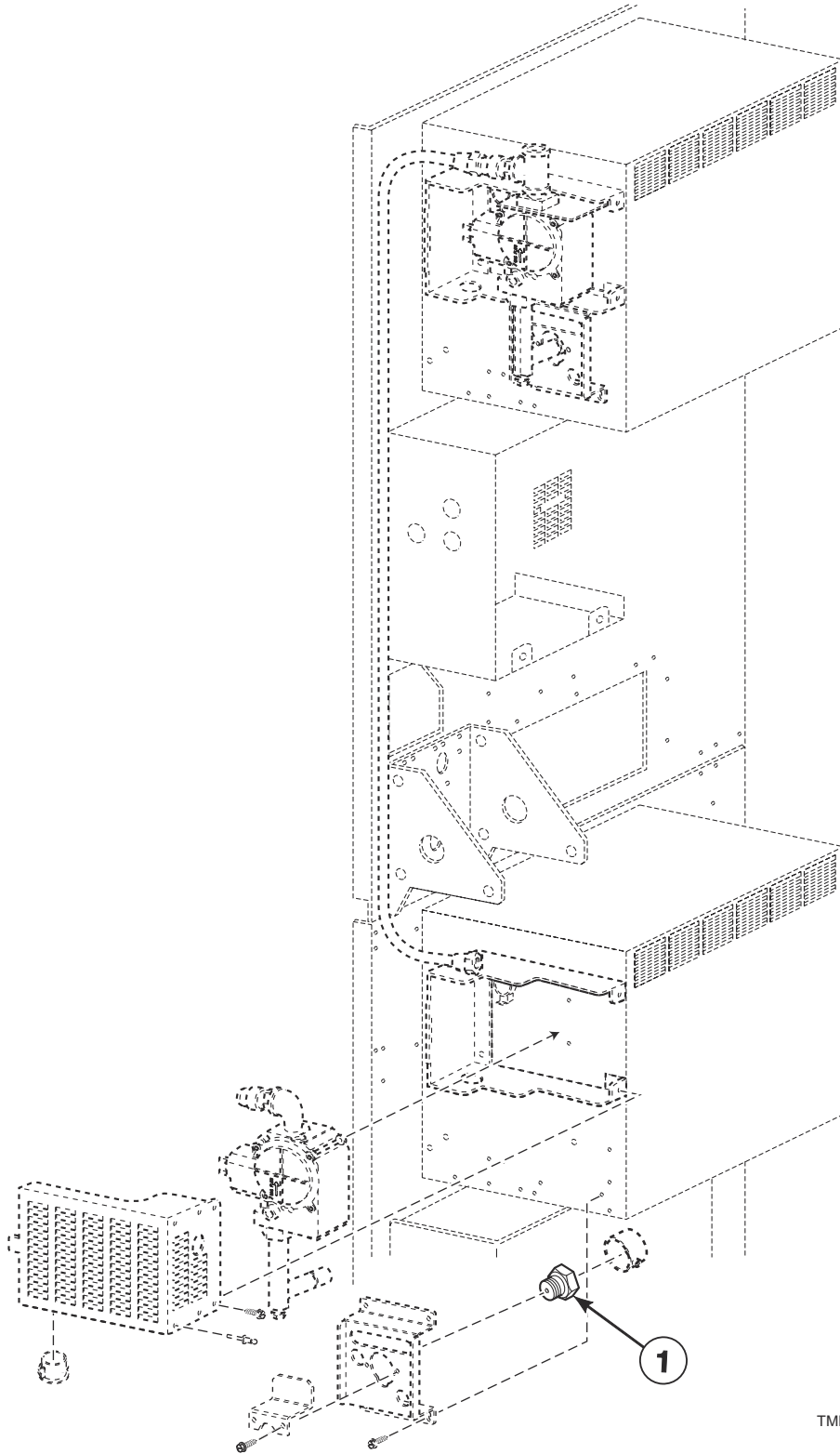


TMB3583P_70591701

Gas Valve and Piping

REF	PART NO.	DESCRIPTION	COMMENTS
	70550206	L.P. Conversion Kit	CSA and AGA models; Natural Gas (N.G.); 0-2,000 feet
	70551906	L.P. Conversion Kit	IEC models; N.G.; 0-2,000 feet
	70131901	Adapter	IEC models; BPT/NPT
	70167601	Plug	
	70500601	Power Harness	
	44273501	Gas Valve Harness	
	70564301	Stove Limit Harness	
	70535901	Notice Label	Australian models; N.G.
	70544901	Notice Label	Australian models; Liquid Petroleum (L.P.)
1	70262601	Pipe	
2	70071801	Tee	
3	431486	Pipe Nipple	
4	44154503	N.G. Valve	CSA models
	44154504	L.P. Valve	CSA models
	44154507	Gas Valve	IEC models; N.G.
	44154508	Gas Valve	IEC models; L.P.
5	70328201	Forward Valve Cover	
6	70248901	Orifice Holder Bracket	
7	70435901P	Orifice Adapter	
8	70239801	Primary Air Adjustment Sleeve	
9	430497	Screw	
10	70539901	Ignition Keeper Orifice Bracket	
11	70058501	Pop Rivet	3/16 inch
12	M400770	Snap Bushing	
13	70282401	Rear Valve Cover	
14	H86070034	Street Elbow	
15	70281602	Tube	

Burner Orifices



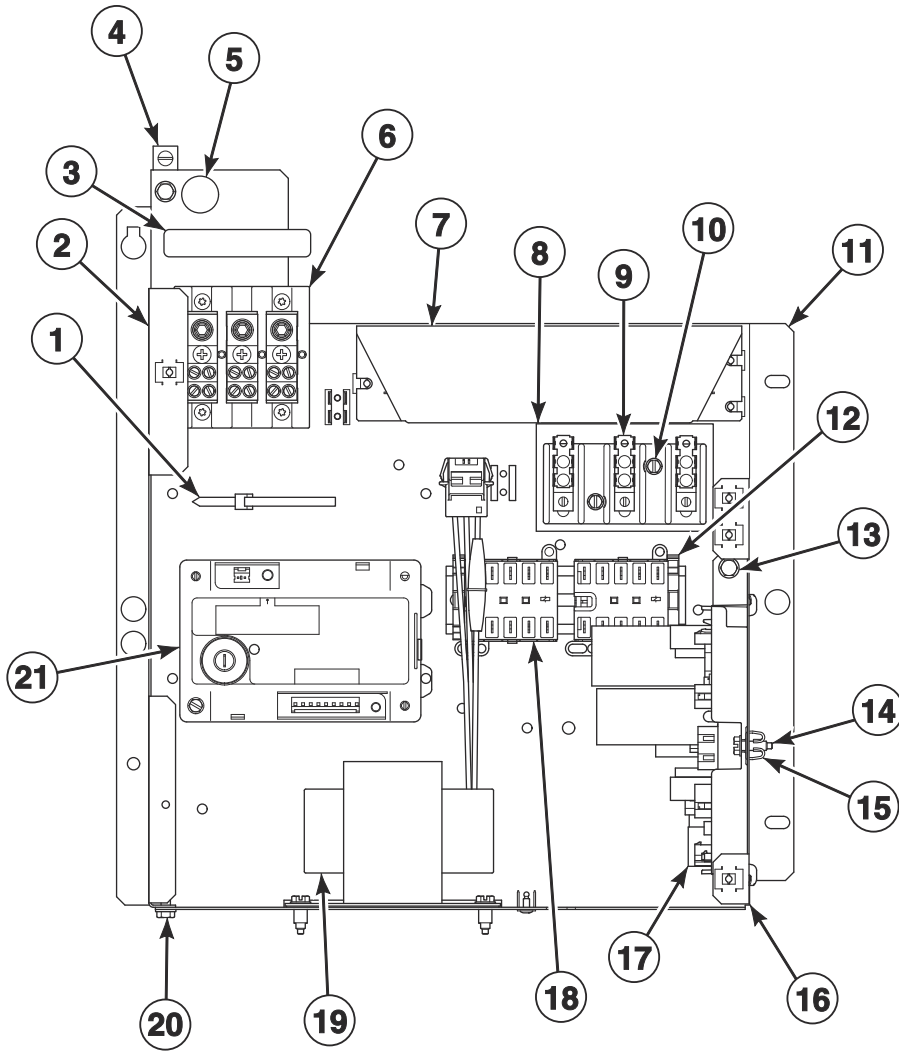
TMB3583PA_70591701

Burner Orifices

REF	PART NO.	DESCRIPTION	COMMENTS
	70609911	High Altitude Orifice Kit	CSA Natural Gas (N.G.) models
	70609912	High Altitude Orifice Kit	CSA Liquid Petroleum Gas (L.P.) models
1	M411371	Burner Orifice	Standard models; N.G.; Drill no. 14 (4.62 mm); 0-2,000 feet
	M411374	Burner Orifice	Standard models; N.G.; Drill no. 17 (4.39 mm); 2,001-4,000 feet
	M402988	Burner Orifice	Standard models; N.G.; Drill no. 18 (4.31 mm); 4,001-6,000 feet
	M401002	Burner Orifice	Standard models; N.G.; Drill no. 20 (4.09 mm); 6,001-8,000 feet
	M401020	Burner Orifice	Standard models; N.G.; Drill no. 23 (3.91 mm); 8,001-10,000 feet
	M411512	Burner Orifice	Standard models with 2nd digit G, H, J, K, L and T; L.P.; Drill no. 34 (2.82 mm); 0-2,000 feet
	M411375	Burner Orifice	Standard models with 2nd digit G, H, J, K, L and T; L.P.; Drill no. 36 (2.71 mm); 2,001-4,000 feet
	M411376	Burner Orifice	Standard models with 2nd digit G, H, J, K, L and T; L.P.; Drill no. 38 (2.58 mm); 4,001-6,000 feet
	M406361	Burner Orifice	Standard models with 2nd digit G, H, J, K, L and T; L.P.; Drill no. 40 (2.49 mm); 6,001-8,000 feet
	M403017	Burner Orifice	Standard models with 2nd digit G, H, J, K, L and T; L.P.; Drill no. 42 (2.37 mm); 8,001-10,000 feet
	M411375	Burner Orifice	Standard Australian models; L.P.; Drill no. 36 (2.71 mm); 0-2,000 feet
	M411376	Burner Orifice	Standard Australian models; L.P.; Drill no. 38 (2.58 mm); 2,001-4,000 feet
	M406361	Burner Orifice	Standard Australian models; L.P.; Drill no. 40 (2.49 mm); 4,001-6,000 feet
	M403017	Burner Orifice	Standard Australian models; L.P.; Drill no. 42 (2.37 mm); 6,001-8,000 feet
	70070905	Burner Orifice	Standard Australian models; L.P.; 2.30 mm; 8,001-10,000 feet
	M401011	Burner Orifice	CE standard models; L.P.; Drill no. 44 (2.18 mm); 0-2,000 feet
	M401027	Burner Orifice	CE standard models; L.P.; Drill no. 45 (2.08 mm); 2,001-4,000 feet
	M400999	Burner Orifice	CE standard models; L.P.; Drill no. 47 (1.99 mm); 4,001-6,000 feet
	M401001	Burner Orifice	CE standard models; L.P.; Drill no. 48 (1.93 mm); 6,001-8,000 feet
	M401018	Burner Orifice	CE standard models; L.P.; Drill no. 49 (1.85 mm); 8,001-10,000 feet
	M401007	Burner Orifice	Standard J market models; L.P.; Drill no. 39 (2.53 mm); 0-2,000 feet
	M403017	Burner Orifice	Standard J market models; L.P.; Drill no. 42 (2.37 mm); 2,001-4,000 feet
	70070905	Burner Orifice	Standard J market models; L.P.; 2.3 mm; 4,001-6,000 feet
	M406184	Burner Orifice	Standard J market models; L.P.; Drill no. 43 (2.26 mm); 6,001-8,000 feet
	M401011	Burner Orifice	Standard J market models; L.P.; Drill no. 44 (2.18 mm); 8,001-10,000 feet
	M402995	Burner Orifice	Eco models; N.G.; Drill no. 19 (4.22 mm); 0-2,000 feet
	M402996	Burner Orifice	Eco models; N.G.; Drill no. 22 (3.99 mm) 2,001-4,000 feet
	M401020	Burner Orifice	Eco models; N.G.; Drill no. 23 (3.91 mm); 4,001-6,000 feet
	M401000	Burner Orifice	Eco models; N.G.; Drill no. 26 (3.73 mm); 6,001-8,000 feet
	M401014	Burner Orifice	Eco models; N.G.; Drill no. 28 (3.57 mm); 8,001-10,000 feet

* NOTE: One orifice required per pocket

Control Tray and Accessory Box



TMB3614P_70591701

Control Tray and Accessory Box

REF	PART NO.	DESCRIPTION	COMMENTS
	44071501	Snap Bushing	Use with item 2; 7/8 inch
	70476001	Snap Bushing	Use with item 2; 1/2 inch
	39733	Screw	Use with item 6
	685837	Screw	Use with item 4
	70610101	EMI Filter Kit	CSA models; 100-240 Volt
	70610102	EMI Filter Kit	CSA models; 380-480 Volt
	70500601	Power Harness	
	M413862	Insulator	Use with item 6, 8 and 9
1	70335601	Cable Tie	
2	70560701	Junction Box Side	Left side
3	44286803	Label	Wire L1, L2, L3
	44286801	Label	Wire L1, N
	44286804	Wire Label	Wire L1 L2, L1 N, L1 L2 L3
4	M411283	Ground Lug Connector	
5	D516100	Label	
6	430642	Terminal Block	
	70333001	Terminal Block Shield	
7	F8591601	EMI Filter	IEC models; 100-120 and 200-240 Volt
	F8637501	EMI Filter	IEC models; 380-480 Volt
8	70333001	Terminal Block Shield	IEC models
9	430642	Terminal Block	IEC models
10	51783	Screw	IEC models
11	70607201	Junction Box Base Assembly	
12	F8449801	End Stop	2 required
13	430497	Screw	
14	F8206901	Screw	
15	70030501	Expansion Clip	
16	70527101	Control Board Tray	
17	70479201P	I/O Control Assembly	
18	70482601	Contactor	1 required for 120-240 Volt; 2 required for 380-480 Volt
19	F8491101	Transformer	380-480 Volt
20	51780	Screw	
21	70482002	Ignition Control	IEC models
	70482001	Ignition Control	CSA models

Labels

PART NO.	DESCRIPTION	COMMENTS
70535101	Caution Label	Vent/install
F8614501	Danger Label	Shock; English/French
F8614301	Hot Surface Warning Label	English/French
F8609001	Hot Surface Warning Label	Icon
F8605501	Label	
F8614500	Label Kit	Shock
F8605500	Label Kit	
44321501	Notice Label	120/240 Volt
70539601	Notice Label	
70534201	Notice Label	
F8609501	Notice Label	
D516073	Notice Label	Read instructions; Icon
70538401	Pinch Warning Label	English/French
F8615701	Pinch Warning Label	Icon
F8614401	Shock Warning Label	English/French
F8614201	Shock Warning Label	Icon
70536401	Warning Label	Lint
44324101	Warning Label	Fire; Australian models
70534405	Warning Label	Fire; Colombian Spanish; Australian models
44321601	Warning Label	Risk of fire; Icon

Harnesses

PART NO.	DESCRIPTION	COMMENTS
44316009	Filter Output Power Harness	1 Phase; Power distribution block to RFI filter
44316010	Filter Output Power Harness	3 Phase; Power distribution block to RFI filter
70608501	Base Harness	
44280007	Configuration Harness	120 Volt; Cylinder
44280006	Configuration Harness	120 Volt; Fan
44334604	Heat Control Harness	
44334702	Inverter Contactor Coil Harness	Secondary; 380-480 Volt
70561501	Junction Box Harness	
44316003	Filter Input Power Harness	1 Phase; Power distribution block to filter
44316004	Filter Input Power Harness	3 Phase; Power distribution block to filter
70608401	Main Harness	
44280004	Motor Contactor Power Harness	3 Phase
44280011	Motor Contactor Power Harness	1 Phase; EMI
44280013	Motor Contactor Power Harness	3 Phase; EMI
44280002	Motor Contactor Power Harness	1 Phase
44280102	Power Harness	380-480 Volt
44272102	Power Harness	100-240 Volt
44273602	Steam Control Harness	
204454	Ferrite	EMI; Motor circuit, inverter communication circuit

Parts Index

A

Access Panel Trim 70399406	37, 39
Adapter 70131901	69
Air Duct 70500201	57
Airflow Switch and Arm Bracket 70319602	65
Airflow Switch Arm 70319401	65
Airflow Switch Vane 70319201	65
Airflow Switch Wrapper 70356101	65
Anti-Rattle Burner Assembly 70546701	67

B

Base Harness 70608501	75
Blower Assembly 70302201P	63
Blower Housing Cover Assembly 70322802	63
Blower Housing Scroll 70340801	63
Blower Inlet Cone 70303101	63
Blower Motor Mounting Plate 70341001	63
Bracket Assembly 70569701	23
Burner Grill 70306501	67
Burner Orifice M400999	71
M401000	71
M401001	71
M401002	71
M401007	71
M401011	71
M401014	71
M401018	71
M401020	71
M401027	71
M402988	71
M402995	71
M402996	71
M403017	71
M406184	71
M406361	71
M411371	71
M411374	71
M411375	71
M411376	71
M411512	71
70070905	71

Bushing 70542801	59
Bypass Harness 44334103	41

C

Cable Tie 70335601	73
Cam and Hinge Kit M4772P3	35
M4773P3	35
Caution Label 70535101	74
Center Cylinder Seal 70066005	57
Center Partition 70339201	57
Center Trim 70299601	41
Central Pay Board Harness 44355604	29
Central Pay Control Assembly 204094	29
Central Pay Harness 44342803	15
44355603	29
44355605	29
Channel Base Assembly 70288201	57
Chassis Mounting Bracket 70119001	15, 17
Clip 70226701	57, 61
Coin Drop 38963P	25
39748	25
70441601	25
70441603	25
Coin Drop Assembly 201141	25
210195	25
210196	25
38462P	25
38463	25
38467	25
38519	25
70281102	25
70283102	25
70441602	25
70447301	25
70471601	25
70482401	25
70506901	25
Coin Drop Kit CK077	25
CK122	27
Coin Identification Paper 38464P	25
38475	25
38725	25

N/A items do not appear in index.

Coin Meter	
F0160737-00.....	25
Coin Vault and Emergency Stop Mount Assembly	
70529503.....	43
Coin Vault Assembly	
70529501.....	43
Coin Vault Switch Harness	
44334102.....	41
Coin Vault Trim	
70117501.....	43
70117502.....	43
Configuration Harness	
44280006.....	75
44280007.....	75
Contact Base	
F8538101.....	45
Contact Switch	
F8069501.....	45
Contacto	
70482601.....	73
Control Assembly	
70478801P.....	15, 17
70478802.....	21
70478901.....	17
70478902.....	21
70479801.....	13
70479901.....	13
70523001.....	17
70523002.....	21
70523101.....	13
70543104.....	23
Control Board Tray	
70527101.....	73
Control Door and Studs Assembly	
70497401.....	15, 17
70497801.....	15, 17
70498001.....	15
70498201.....	15, 17
70498401.....	15, 17
70558501.....	13, 15, 17, 21, 23
70558601.....	13, 15, 17, 21
Control Door Latch	
431318.....	13, 15, 17, 21, 23
Control Housing	
70119901.....	41
Control Housing Cover	
70307004.....	29
70307005.....	29
70307006.....	29
Control Trim	
70116901.....	41
70116902.....	41
70116905.....	41
70116906.....	41
70117001.....	41
70117002.....	41
Cylinder and Trunnion Assembly	
70444001P.....	51
70444002.....	51
70444003.....	51
Cylinder Assembly	
70372901P.....	51
70372902P.....	51
70372903.....	51
Cylinder Bearing Stud Plate Assembly	
430352.....	55, 57

Cylinder Guide Tool	
263P4.....	51
Cylinder Rib Assembly	
70433001.....	51
Cylinder Shroud	
70339301.....	57
70339302.....	57

D

Danger Label	
F8614501.....	74
Door Assembly	
44028906.....	31
44028907.....	31
44028908.....	31
44058105.....	31
44058106.....	31
44058107.....	31
44058108.....	31
44266703.....	31
44266704.....	31
44292302B.....	31
44292302LG.....	31
70407402.....	31
Door Glass	
44008401P.....	33
44008402P.....	33
44008403.....	33
Door Glass Installation Tool	
M4221P4.....	33
Door Handle	
44007901.....	33
44263801.....	33
70521102.....	33
Door Hinge Assembly	
44075209B.....	35
44075209LG.....	35
44075212.....	35
Door Hinge Lug Assembly	
44035001.....	35
44035002.....	35
Door HingecAssembly	
44075205*.....	35
Door Latch	
M401223.....	41, 43
Door Ring and Handle Assembly	
44326007B.....	33
44326007LG.....	33
Door Ring Assembly	
44326001.....	33
44326002.....	33
44326003B.....	33
44326004B.....	33
44326005.....	33
44326006.....	33
Door Ring Gasket	
70296802.....	33
Door Seal Kit	
70211902P.....	33
Door Switch Actuator	
70532101.....	35
70532102.....	35

N/A items do not appear in index.

Drive Motor	
44259501P	59
44259601P	59
Drive Plate	
70571901	59
Drywall Screw Magnet Kit	
70343101P	51
Duct Access Cover	
70308701	61
Duct Cover	
70307601	61

E

Electronic Coin Drop Assembly	
70294107	25
70513302	25
70513303	25
70513304	25
70513306	25
70513308	25
70513309	25
70513310	25
70513311	25
70513312	25
70513313	25
70513314	25
70513315	25
70513316	25
Electronic Coin Drop Kit	
CK099	27
CK100	27
CK101	27
CK108	27
CK109	27
CK110	27
CK113	27
CK115	27
CK116	27
CK117	27
CK118	27
CK119	27
CK120	27
CK121	27
Emergency Stop Button Kit	
70580301	45
Emergency Stop Bypass Harness	
F8519403	45
Emergency Stop Harness	
44272401	45
44272402	45
Emergency Stop Label	
44012901	45
44012903	45
Emergency Stop Mounting Bracket	
70550401	45
Emergency Stop Pushbutton	
F200233500	45
EMI Filter	
F8591601	73
F8637501	73
EMI Filter Kit	
70610101	73
70610102	73

End Cap	
70070101	51
70070102	51
End Stop	
F8449801	73
Exhaust Duct Assembly	
70528501	61
70528502	61
Exhaust Duct Gaskets Assembly	
70302801P	61
Exhaust Pipe Assembly	
70425801	61
Expansion Clip	
70030501	29, 57, 73

F

Fan Motor	
70478701P	63
70484901P	63
FCC-IC Label	
F8613201	29
Ferrite	
204454	75
Filter Input Power Harness	
44316003	75
44316004	75
Filter Output Power Harness	
44316009	75
44316010	75
Forward Valve Cover	
70328201	69
Front Panel Baffle Seal	
70017301	41, 43
Front Panel Seal	
70173401P	37, 39

G

Gas Burner	
70229801P	67
Gas Valve	
44154507	69
44154508	69
Gas Valve Cover	
70233401	67
Gas Valve Harness	
44273501	69
Gasket	
70392701P	63
Ground Lug Connector	
M411283	73

H

Handle Bar	
70399501B	33
Harness	
F8617901	23

N/A items do not appear in index.

Heat Control Harness 44334604	75
High Altitude Orifice Kit 70609911	71
70609912	71
Hot Surface Warning Label F8609001	74
F8614301	74

I

Idler Wheel Assembly 70050401P	59
Igniter Cover 70159601	67
Ignition Control 70482001	73
70482002	73
Ignition Keeper Orifice Bracket 70539901	69
Insulator M413862	73
Interconnect Harness 44272105	45
Inverter Contactor Coil Harness 44334702	75
Inverter Motor Harness 44335303	59
I/O Control Assembly 70479201P	73

J

Junction Box Base Assembly 70607201	73
Junction Box Harness 70561501	75
Junction Box Side 70560701	73

K

Key 70144101	59
70155601	41
70155602	47
Kickplate 70117605	43
70117618	43

L

Label D516100	73
F8605501	74
F8649601	17
44286801	73
44286803	73
562738	39
70414001	33

70472801	39
Label Kit F8605500	74
F8614500	74
70534400	39
Latch Mounting Bracket 70184501	13, 15, 17, 21, 23
Limit Access Bracket 70554901	59
Limit Thermostat 44328001	63
44328005	67
44328104	67
70530901	63
Lint Drawer Front Kit 70322901P	47
70322902P	47
Lint Drawer Gasket 70117901P	41, 43
Lint Drawer Handle 70320801	47
70320802	47
Lint Drawer Handle Plate 70323201	47
Lint Frame Gasket 70333101	47
Lint Panel and Studs Assembly 70323003	47
70323004	47
Lint Panel Gasket 70289101P	61
Lint Screen Assembly 70301201	47
Lint Screen Bracket 70026901	47
Lock Shim 70342401	47
70342402	47
Lock, Key and Nut Kit 44089301P	41
44089302P	47
Lower Front Panel 70523701*	39
70523702	39
70523703*	39
70523704	39
70523709DG	39
70523711DG	39
70523715*	39
70523716	39
70523717DG	39
70523717LG	39
L.P. Conversion Kit 70550206	69
70551906	69
L.P. Valve 44154504	69

M

Machine ID Control Assembly 203361P	15, 17, 21, 23
Main Harness 70608401	75

N/A items do not appear in index.

Motor Conduit Bracket 44317901	63
Motor Conduit Mounting Bracket 70521901	59
Motor Contactor Power Harness 44280002	75
44280004	75
44280011	75
44280013	75
Motor Mount Plate 70564201	59
Motor Pulley 70559101	59
Mounting Bracket 70604001	29
Mounting Plate 70208801	15, 17

N

Nameplate B12389801	41
F8443105	41
Nameplate Overlay 44144401	41
70411401	41
Notice Label D516073	74
F8609501	74
44321501	74
70534201	74
70535901	69
70539601	74
70544901	69
Nut M400022	55, 63
M400034	55, 63
M400035	53
M412986	51, 55
M414215	33
21899	57
29786	63
430576	57
44071201	23
44087101	13, 15, 17, 21, 23, 47
44088001	33, 35
44088801	41, 47
44333202	59
70030401	57
70054	15, 17
70288801	57
N.G. Valve 44154503	69

O

Opto Coupler 200674P	25
Orifice Adapter 70435901P	69
Orifice Holder Bracket 70248901	69

Overlay F8205101	15, 17
70295101	17
70408002	49
70428702	49
70508801	49
70511701	19
70511702	19
70511705	19
70511706	19
70514501	19
70516901	13
70516902	13
70517101	19
70517102	19
70517104	19
70517105	19
70517201	19
70517901	13
70517902	13
7051801	15
7051802	15
70518101	17
70518102	17
70519101	13
70519102	13
70519501	49
70524501	49
70539001	13
70539002	13
70540901	19
70540902	19
70541001	19
70542101	41
70544801	15
70544802	15
70545301	49
70545401	13
70545402	13
70547101	15
70547201	15
70547301	15
70547302	15
70547601	13
70547602	13
70547701	21
70547702	21
70548001	49
70548901	21
70548902	21
70552601	49
70554601	41
70556201	17
70556301	17
70556401	17
70556402	17
70556501	15, 17
70556502	15, 17
70556601	17
70556701	17
70556801	17
70556901	17
70557001	15, 17
70557002	15, 17
70558801	19
70569201	49
70569401	49
70570401	15
70570402	15

N/A items do not appear in index.

70570501	15
70570701	21
70570702	21
70570901	21
70570902	21
70571201	19
70571202	19
70571301	19
70571501	21
70571502	21
70571701	21
70571702	21
70572101	49
70572301	49
70572501	21
70572502	21
70572701	19
70573201	49
70573301	19
70595201	23
70598301	19
70598401	49

P

Panel Clip	
M406494	41
Panel Lock	
44089304	41
44089305	47
Pin	
70071401	35
Pinch Warning Label	
F8615701	74
70538401	74
Pipe	
70262601	69
Pipe Clip	
70203701	67
Pipe Nipple	
431486	69
Pivot Arm Lever	
70543301	59
Plug	
70167601	69
Pop Rivet	
M400003	13, 15, 17, 21, 23
44166601	41, 43
44251101	41
70058501	35, 57, 69
70126301	43
70126401	43
70412601	33
Porcelain Touch-Up Paint	
122P4P	57
370P4P	57
Power Harness	
44272102	75
44280102	75
70500601	69, 73
Power Supply Transformer Harness	
44272303	29
Primary Air Adjustment Sleeve	
70239801	69

Pushbutton Switch	
70413301	41, 43

R

Rear Bearing Shim	
70355001	55
Rear Cylinder Bearing Housing	
70013901	55
Rear Cylinder Channel	
70305201	51
70305202	51
Rear Cylinder Channel Plate	
70305301	51
Rear Cylinder Seal	
70013701P	55, 57
Rear Cylinder Seal Support	
70506402	55, 57
Rear Panel	
70560501	57
Rear Stabilizer Bracket	
70200301	63
Rear Valve Cover	
70282401	69
Roller and Seal Kit	
70568201	57
Roller Seal	
70443601	57
Roller Shaft	
70249501	57
Roller Support Bracket	
70339001	57

S

Screw	
D501524	13, 15, 17, 21, 23
F8206901	29, 73
M400044	35
M400661	33
M405188	41
M411072	61
05161	67
23222	63
39733	73
430497	51, 57, 61, 63, 67, 69, 73
430757	65
51780	29, 63, 73
51783	73
62588	51
685837	73
70033502	35, 41, 43
70069901	43
70126101	63
70182601	41, 43
70247701	57
70275801	41, 43
70391101	51
70407301	35
70436301	35
70442101	33
70576101	35

N/A items do not appear in index.

Shadow Box Clip M400972	41, 43
Sheet Metal Edge Gasket 70015711	57
70015712	57
Shock Warning Label F8614201	74
F8614401	74
Side Panel 70301801DG	57
70301801LG	57
70301801*P	57
Slip Ring Assembly 44222701	53
Slip Ring Holder 70455401	53
Slot Card Plate Assembly 44089501	15, 17
Snap Bushing M400770	69
44071501	73
70476001	73
Spacer 431264	41
70488403	59
Spark Electrode 70548701P	67
Spray Paint 298P4P	57
381P4	57
Spring 70571801	59
Spring Catch Bracket 70543401	59
Standoff 70569603	59
Steam Control Harness 44273602	75
Stove Back 70375201	67
Stove Limit Harness 70564301	67, 69
Stove Top and Sides 70306001	67
Street Elbow H86070034	69
Supply Harness 44272306	29
Support Bearing 70448701	55
Switch 431159	57
70411901	65
Switch Bracket 70356301	65
<hr/>	
T	
Tee 70071801	69
Tensioning Bracket 70569501	59

Terminal Block 430642	73
Terminal Block Shield 70333001	73
Thermistor M414704	63
Thermostat Cover M414477	67
Top Panel 70339501	57
70339601	57
Transformer F8491101	73
202757	29
202758	29
Transformer Harness 44272304	29
44272305	29
Trunnion and Seal Kit 70564805	51
70564806	51
Tube 70281602	69
Tumbler Dolly Kit M4379P4	43

U

Upper Front Panel 70523201*	37
70523202	37
70523203	37
70523205DG	37
70523205LG	37
USB-Serial Interface Assembly 203440	23

V

V-Belt 70276207	59
Vend Activation Harness 70577101	13, 15, 17, 21

W

Warning Label M410892	41, 43
44321601	74
44324101	74
70534401	39
70534402	39
70534405	74
70536401	74
Washer M400991	55, 63
70261401	57
70292801	23
70409301	33
70411301	51
Wire Guard 201595P	25

N/A items do not appear in index.

Wire Label	
44286804	73
Wireless Control Label	
204692	29
Wireless Network Board Harness	
F8536002	29
Wireless Network Control Assembly	
203532	29
807211	29
Wireless Network Harness	
F8674007	29
Wireless Network Kit	
70596302	29
70609801	29
