

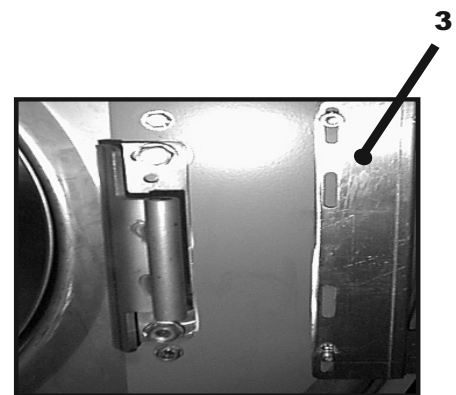
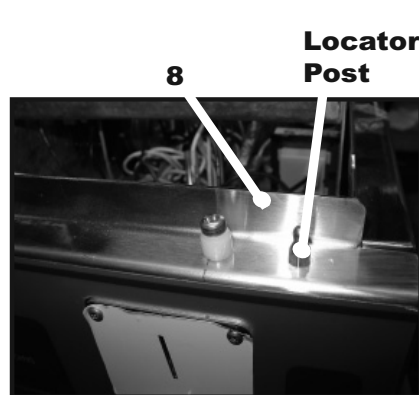
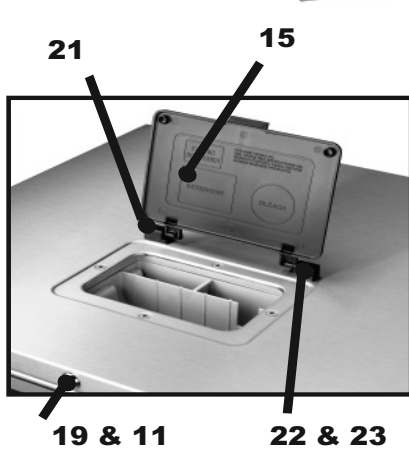
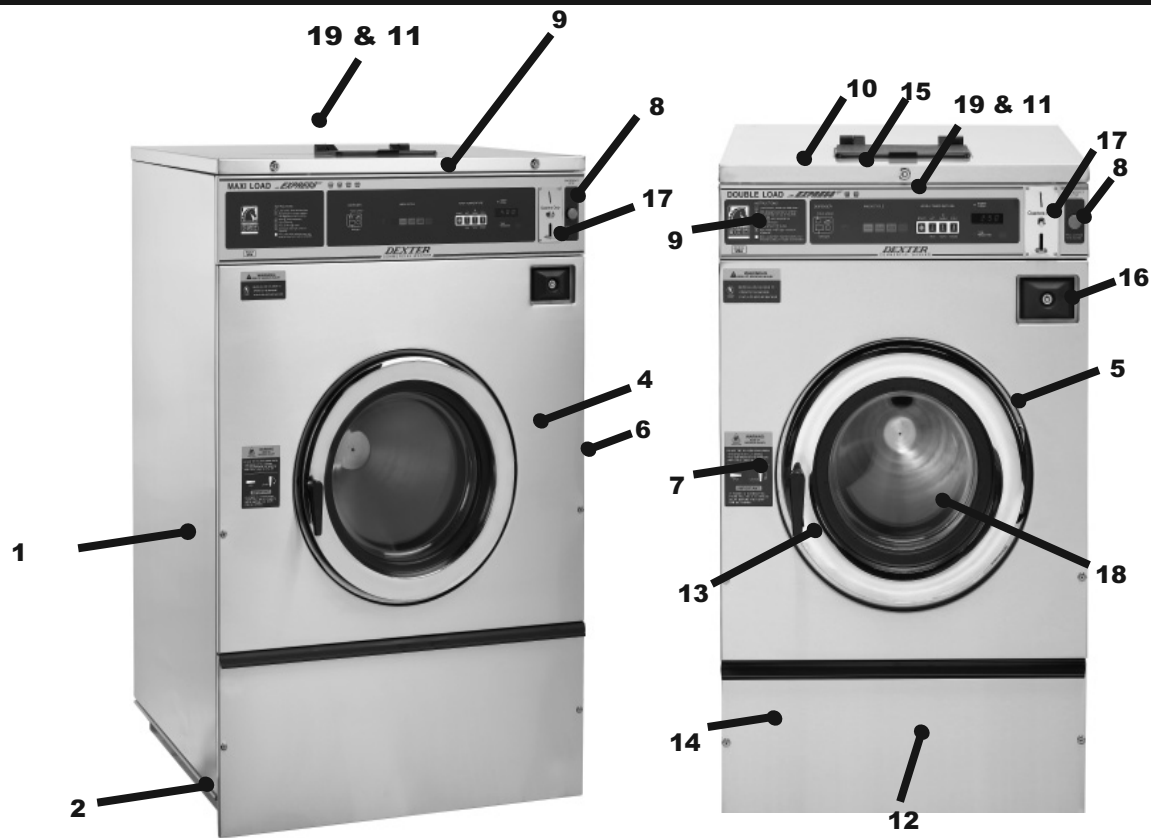
## A-Series Accessories

WCAD18KCS-12SZ	208-240 volts	60hz.	Single Phase or Three Phase	T-300
WCAD25KCS-12SZ	208-240 volts	60hz	Single Phase or Three Phase	T-400
WCAD45KCS-12SZ	208-240 volts	60hz	Single Phase or Three Phase	T-650

Key	Description	T-300	T-400	T-650	QTY
--	Kit, Door Gasket Expander (large)	9732-139-002	9732-139-002	9732-139-002	
--	Kit, Door Gasket Expander (small)	9732-139-001	9732-139-001	9732-139-001	
--	Hose, Water Supply 3/8" I.D. x 48"	9990-027-011	9990-027-011		2
--	Hose, Water Supply 5/8" I.D. x 48"			9565-003-001	2
--	Washer, Inlet Hose (furnished)	8641-242-000	8641-242-000	8641-242-000	2
--	Strainer, Inlet Hose (furnished)	9565-003-001	9565-003-001	9565-003-001	2
--	Drain hose 10 ft. length x 2-1/4" I.D	9242-417-001	9242-417-001	9242-417-001	
--	Drain hose 10 ft. length x 3" I.D.	9242-417-003	9242-417-003	9242-417-003	
--	Bevel Washer for 5/8" bolt used in installations using angle iron bases	8641-586-002	8641-586-002	8641-586-002	
--	Bevel Washer for 3/4" bolt used in installations using angle iron bases	8641-586-003	8641-586-003	8641-586-003	
--	Sealing compound	8538-151-001	8538-151-001	8538-151-001	
--	TORX#20	8545-051-002	8545-051-002	8545-051-002	
--	Special Tool For Removing Coin Acceptor Mounting Screws. (T-10 Torx)	8545-051-003	8545-051-003	8545-051-003	
--	Flow Restrictors (in dispenser )	9465-002-002	9465-002-002		
--	Battery (used on Control PCB)	8612-001-001	8612-001-001	8612-001-001	
--	Special Tool for adjusting spacing between outer tub front and cylinder front			8545-056-001	
--	VFD Filter options (3 phase)	9183-037-001	9183-037-001	9183-037-001	
--	Puller for pushing cylinder out of bearings must be purchased from local sources.				
--	Clamps to hold tub front to outer tub when installing tub front			Vice Grip #11R	
--	Coin OP CD for OS2 platform for infrared programming devices	9504-010-001	9504-010-001	9504-010-001	
--	Coin Bearing & Seal Kit	9732-218-002	9732-219-004	9732-219-006	
--	Coin Op CD with OS2 Platform for A Series Washers Only	9504-015-011	9504-015-011	9504-015-011	

## Cabinet and Front Panel Group Part # by Model

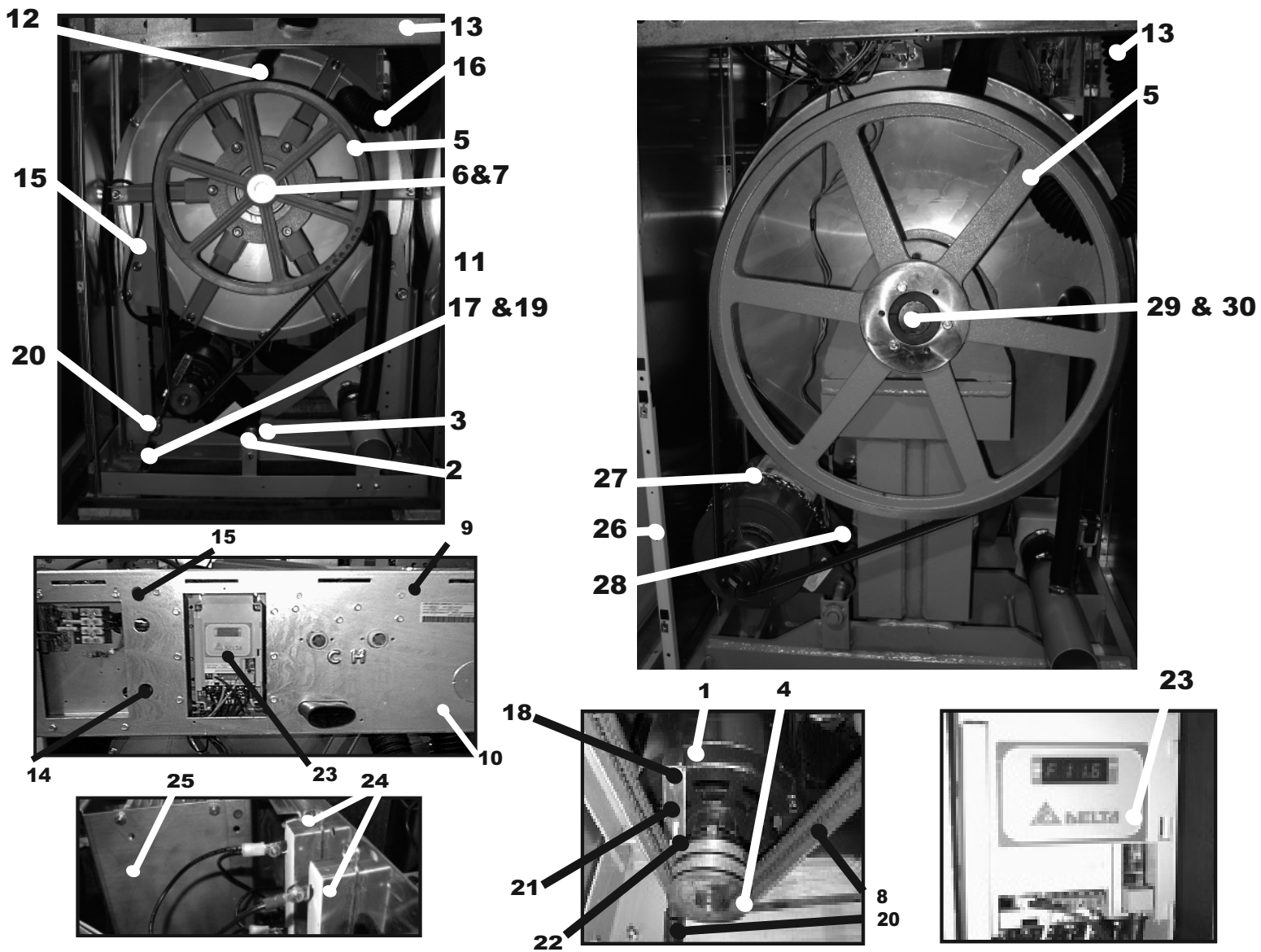
Key	Description	T-300	T-400	T-650	QTY
1	Panel, Side (Left or Right) - stainless			9545-744-001	2
1	Panel, Side (Left or Right) - stainless		9989-492-001		2
1	Panel, Right Side-stainless	9451-751-001			1
1	Panel, Left Side - stainless	9451-751-002			1
2	Screw, (Side Panel to Base)	9545-018-013	9545-018-013		6
2	Nut, Hex 1/4-20 UNC	8640-414-006	8640-414-006	8640-414-006	6
3	Bracket, Side Panel under front panel	9029-066-001	9029-066-001	n/a	
•	Nut, Hex 10-32 UNF	8640-413-002	8640-413-002	8640-413-002	
*	Screw 10 B 1/2	9545-008-026	9545-008-026	9545-008-026	
4	Panel Assy, Front	9454-781-001	9454-659-001	9454-671-001	1
*	Stop Button Mounting Plate	9452-725-001	9452-725-001	9452-725-001	1
5	Band, Edge Protector	9059-063-004	9059-063-002	9059-063-002	1
*	Screw, Hex- To Control Panel	9545-008-023	9545-008-023	9545-008-023	2
*	Nut, Spring- To Control Panel 10/32	8640-399-005	8640-399-005	8640-399-005	2
6	Screw, Flat Head- Front to Sides	9545-008-014	9545-008-014	9545-008-014	2
6	Washer, Finish	8641-585-001	8641-585-001	8641-585-001	2
*	Nut, Spring-To Front Panel	8640-399-008	8640-399-008	8640-399-008	2
7	Label, Door Opening	8502-624-002	8502-624-002	8502-624-002	1
8	Panel, Control (Mounts Nameplate)	9989-473-001	9989-477-001	9989-500-001	1
*	Screw, Control Panel to Sides	9545-008-026	9545-008-026	9545-008-026	4
9	Nameplate Decal, Control Panel	9412-135-001	9412-138-001	9412-140-001	1
10	Panel Top	9454-752-001	9454-759-001	9454-743-001	1
11	Lock, Top (w/Key)	8650-012-003	8650-012-003		1
11	Lock, Top (w/Key)			8650-012-003	2
--	Catch, Top Panel	9086-017-001	9086-017-001	9086-017-001	1
*	Screw, Guide	9545-008-023	9545-008-023	9545-008-023	2
12	Door, Lower Service	9108-096-001	9108-097-001	9108-099-001	1
13	Handle (bumper guard)	9244-081-001	9244-081-002	8244-018-003	1
*	Screw for Handle 8 x 3/8 SS	9545-045-010	9545-045-010	9545-045-010	2
14	Screw Mtg., Flat Head Lower Door	9545-008-030	9545-008-014	9545-008-014	2
14	Washer, Finish	8641-585-001	8641-585-001	8641-585-001	2
*	Nut, Spring	8640-399-008	8640-399-008	8640-399-008	2
15	Door, Dispenser	9108-095-005	9108-095-005	9108-095-005	1
20	Pin, Plain	9451-191-001	9451-191-001	9451-191-001	2
21	Post, Door Mounting	9467-025-001	9467-025-001	9467-025-001	2
*	Dispenser Nut Spring	8640-399-007	8640-399-007	8640-399-007	4
*	Pop Rivet for Catch Top	8638-190-009	8638-190-009	8638-190-009	
*	Strap Side Panel Mount			9966-013-001	



Key	Description	T-300	T-400	T-650	QTY
22	Screw, Disp.Post Mtg	9545-045-002	9545-045-002	9545-045-002	4
23	Screw, Disp. Mtg	9545-008-012	9545-008-012	9545-008-012	4
17	Acceptor, Coin (\$.25)	9021-001-010	9021-001-010	9021-001-010	1
18	Plastic Plug Inside Cylinder	9456-041-007			1
19	Key, Top- # 6324 only	9306-025-001	9306-025-001	9306-025-001	1
19	Cam, Lock-Top	9095-038-001	9095-038-001		1
--	Nut, 9/32 - 28 Hex	8640-426-001	8640-426-001		1
--	Washer Flat 5/16	8641-581-008	8641-581-008		1
	Cam Lock Top			9095-038-001	2
	Nut 9/32-28 Hex			8640-426-001	2
	Washer Flat 5/16			8641-581-008	2

## Rear View Access Part # by Model

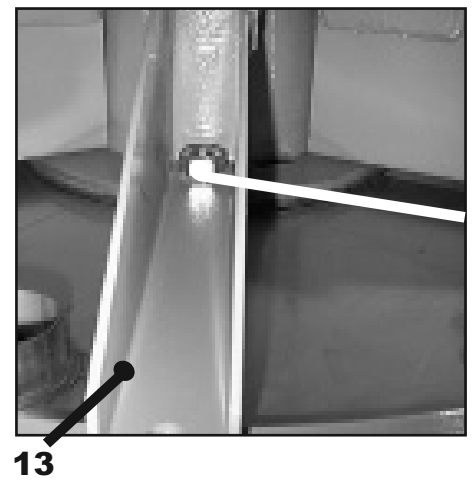
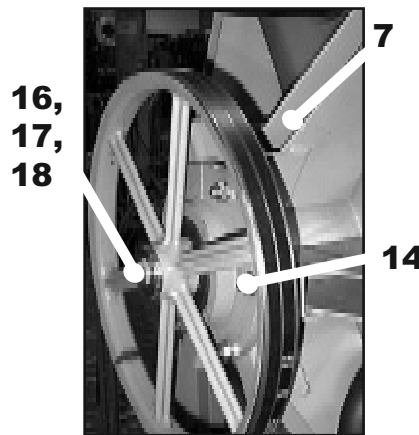
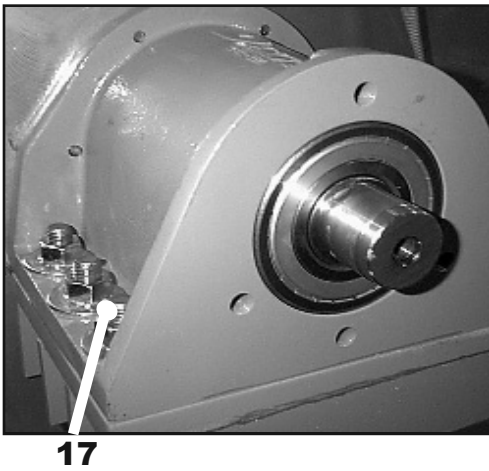
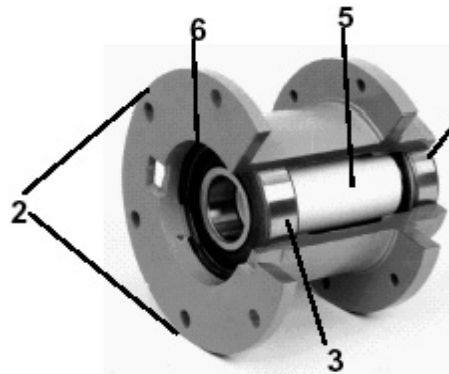
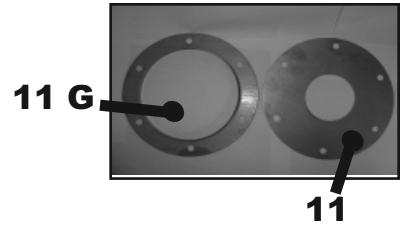
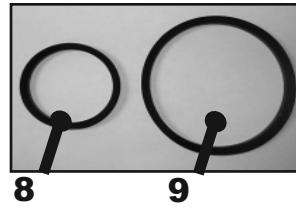
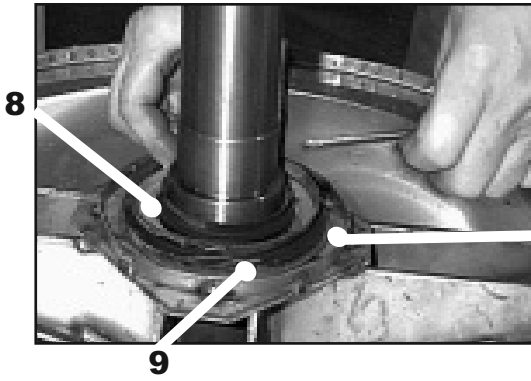
Key	Description	T-300	T-400	T-650	QTY
*	Motor Bushings Support		9053-074-002		2
1	Drive Motor, 3 Phase (Inverter duty)	9376-307-001	9376-305-001	9376-298-001	1
2	Rod, Motor Mtg	9497-222-002	9497-222-004	9497-222-004	1
--	Screw (end of motor rod)	9545-029-005	9545-029-005		1
--	Lockwasher (end of motor rod)	8641-582-014	8641-582-014		1
3	Collar, Shaft (w/set screws)	9076-052-002	9076-052-002	9076-052-002	2
4	Pulley, Motor	9453-180-003	9453-182-003	9453-179-001	1
--	Set Screw, Sq. Hd (motor pulley)	9545-028-015	9545-028-015		2
--	Tolerance Ring	9487-234-001	9487-234-003	9487-234-004	1
5	Pulley, Driven	9453-168-005	9453-168-006	9545-060-004	1
6	Screw 1/2-13x1 1/4"	9545-017-019			2
6	Screw 5/8-11x1 1/2"		9545-060-001	9545-060-004	
6	Lockwasher 1/2"	8641-582-016		8641-582-018	
6	Lockwasher 5/8"		8641-581-032		2
7	Washer, Flat 1/2"	8641-581-026			
7	Washer, Flat 5/8x2 1/4"		8641-581-032		
8	Drive Belt	9040-079-004	9040-079-005	9040-076-008	2
9	Channel, Rear	9081-132-001	9081-135-001	9081-109-001	1
10	Screw Back Panel Mtg	9545-008-026	9545-008-026	9545-008-026	4
--	Nut, Spring Back Panel Mtg	8640-399-008	8640-399-008	8640-399-008	4
11	Hose, Overflow Top Vent	9242-463-002	9242-463-003	9242-449-003	1
--	Hose, Overflow to Drain	9242-449-002	9242-449-002	9242-449-003	1
12	Clamp, Hose Vent	8654-117-008	8654-117-008	8654-117-008	1
12	Clamp, Hose	8654-117-018	8654-117-018	8654-117-018	2
13	Vacuum Breaker ALL	9610-001-001	9610-001-001	9610-001-001	
--	Clamp, Hose to Vacuum Breaker Bottom	8654-117-014	8654-117-014	8654-117-014	
16	Hose, Vacuum Breaker to tub	9242-458-001	9242-458-002	9242-458-003	1
14	Plastic Plug 7/8" Electrical Connection	9456-041-006	9456-041-006	9456-041-006	1
--	Panel Assy., Back	8454-632-001	9454-446-002	9989-455-001	1
--	Screw Back Panel Mtg.#10Bx1/2"	9545-008-026	9545-008-026		10
15	Hose, Pressure Switch	9242-175-000	9242-175-007	9242-175-007	1
--	Clamp, Pressure Switch Hose	8654-117-015	8654-117-005	8654-117-015	1
29	Bush Taperlock at Motor			9053-007-001	1
--	Screw For Split Taper (1/4 - 20 x1)			9545-018-024	3
--	Screw, To Base-1/4x3/4 Back Panel				
18	Strap Bracket, Motor Tension	9029-027-005	9029-027-003		1



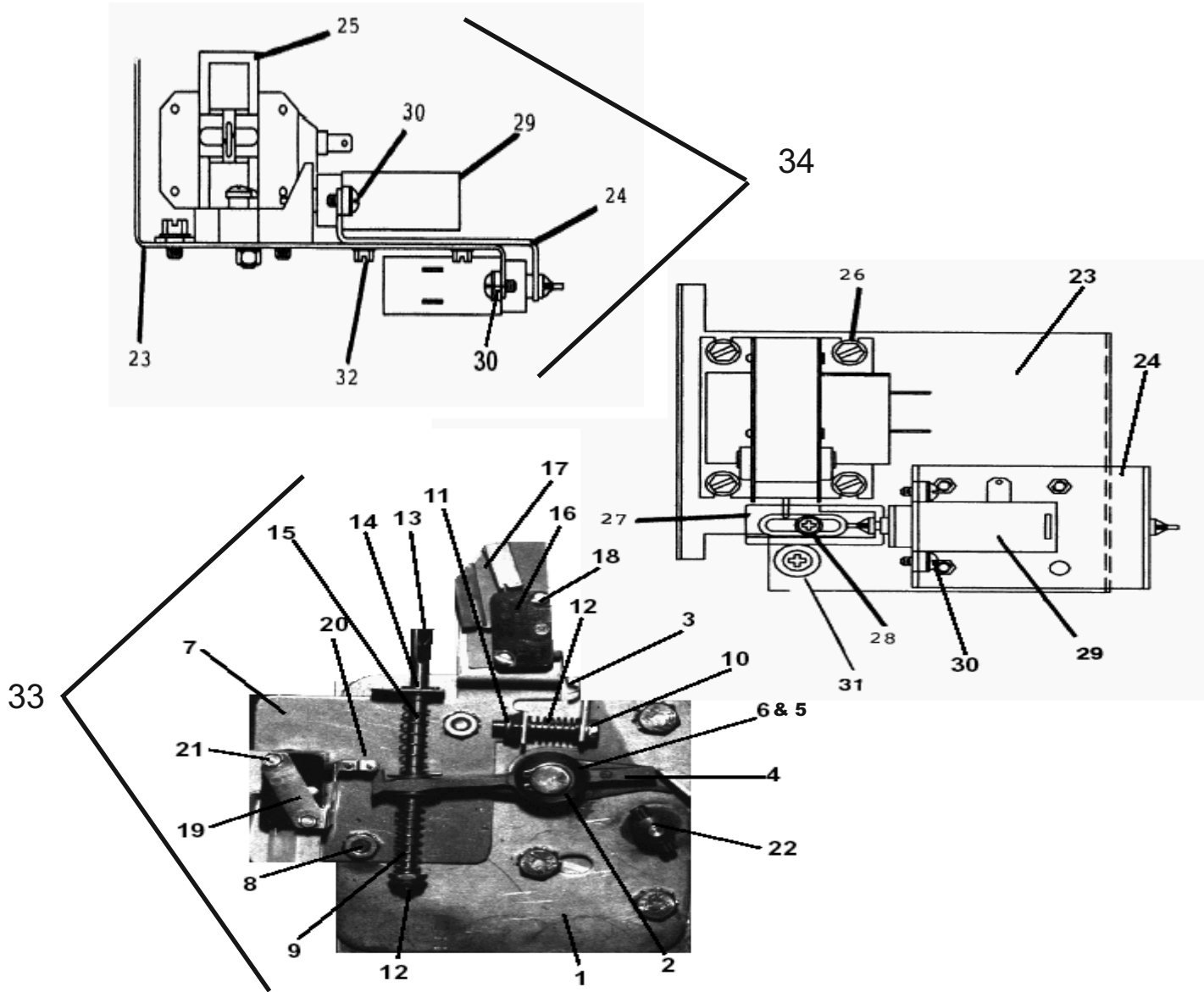
Key	Description	T-300	T-400	T-650	QTY
19	Nut, Strap to Motor 10-32 UNF	8640-413-002	8640-413-002	8640-413-002	
19	Washer	8641-581-006	8641-581-006	8641-581-006	
20	Spring, Belt Tension	9534-319-002	9534-319-002	9534-151-000	
21	Bolt, Eye ( 1/4"-20x1/2")	9545-055-001	9545-055-002	9545-055-001	1
22	Nut, 1/4 Elastic Stop	8640-414-003	8640-414-003	8640-414-003	1
*	Cover Terminals	9074-296-001	9074-267-001		1
*	Screw Motor Control Cover Plate	9545-008-026	9545-008-026	9545-014-009	1
23	VFD Delta "S" drive 208-240 volt	9375-015-010	9375-015-012	9375-009-004	1
24	Braking resistors ( 200 ohm )	9483-004-002	9483-004-002	9483-004-003	
24	Motor Control Cover Plate	9074-278-001	9074-278-001	9074-268-001	1
24	Braking resistors ( 160 ohm )				
25	Bracket assembly (drive mounting)	9985-177-001	9985-177-001	9029-115-001	
26	Link (open end)	n/a	n/a	9341-046-001	1
27	Chain ( Spring Tension)				

## Cylinder, Seals & Bearings Part # by Model

Key	Description	T-300	T-400	T-650	QTY
*	Housing, Bearing- Assembly (items #2-#6)	9803-179-003	9803-186-001	9803-187-001	1
2	Housing, Bearing	9241-169-002	9241-180-002	9241-181-004	1
3	Bearing, Front ( LARGE )	9036-159-009	9036-159-005	9036-159-005	1
4	Bearing, Rear ( SMALL )	9036-159-008	9036-159-004	9036-159-006	1
5	Spacer, Bearing	9538-158-001	9538-167-001	9538-170-001	1
6	Ring, Bearing Retainer	9487-238-001	9487-238-003	9487-238-004	1
8	Seal, Primary	9532-140-002	9532-140-002	9532-140-011	1
9	Seal, Secondary	9532-140-003	9532-140-006	9532-140-007	1
10	Ring, Seal Mounting Plate	9950-042-001	9950-048-001	9950-052-001	1
11	Tub Back Mating Ring	9487-261-002	9487-261-003	9487-261-004	1
11G	1 1/2 - 13 x 2 1/2		9545-017-016		1
12	Bolt, Tub End of Bearing Housing ( 1/2" x 1 1/4" )	9545-017-009			6
12	Nut 1/2"	8640-417-005	8640-417-005		6
12	Lockwasher 1/2" (ext. tooth)	8641-581-034			6
12	Bolt 5/8-11x1 1/2" Tub end of bearing housing		9545-060-001		10
12	Nut 5/8"		8640-425-001		10
12	Lockwasher 5/8"		8641-582-018		6
13	Support Arm Assy, Bearing Housing	9991-057-002	991-056-002		6
14	Bolt Pulley end of bearing housing ( 7/16-14 x 1 1/2" )		9545-059-003		6
14	Nut, Flange Locking 7/16"		8640-416-005		18
15	Pulley, Driven	8453-168-005	9453-168-006	9453-173-002	1
--	Ring, Tolerance	9487-234-001	9487-234-003	8487-234-004	1
16	Washer 1/2"	8641-581-026	8641-581-026		1
16	Washer 5/8"x 2 1/4		8641-581-032	8641-581-032	1
18	Bolt 1/2-13 x 1 1/4"	9545-017-009			
19	Bolt 5/8-11x2"			9545-060-004	1
20	Lockwasher 1/2" Ext. tooth	8641-582-016			
18	Lockwasher 5/8 Ext. tooth		8641-582-018	8641-582-018	1
--	Cylinder Assy	9848-121-001	9848-123-001	9848-116-002	1
--	Tub and Cylinder Assy.	9869-013-002	9869-014-001	9869-019-002	1
21	Screw, Bearing Housing, 3/4-10 x 3			9545-057-002	6
--	Nut 3/4-10			8641-418-003	6
--	Screw, 7/16-14 x 1 SS (Tub Back to Bearing Housing)			9545-059-004	6
--	Flat Washer 7/16"			8641-581-034	6
--	Bolt 7/16 - 14 x 2 Tub Enclosure Outer Ring		9545-059-002		12



Key	Description	T-300	T-400	T-650	QTY
--	Anti-Seize Lubricant Non Metallic	8600-047-001	8600-047-001	8600-047-001	
17	Washers Spherical 3/4 (Male half)			8641-588-001	
17	Washers Spherical 3/4 (Female half)			8641-588-002	



## Door Lock Part # by Model

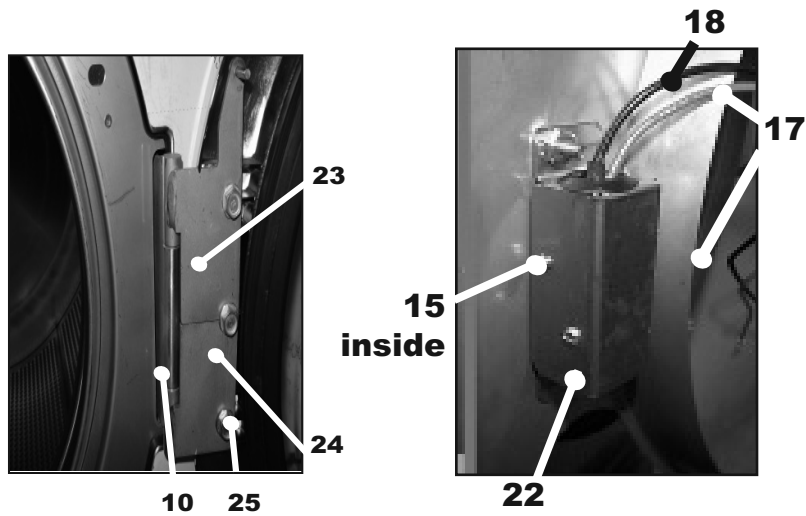
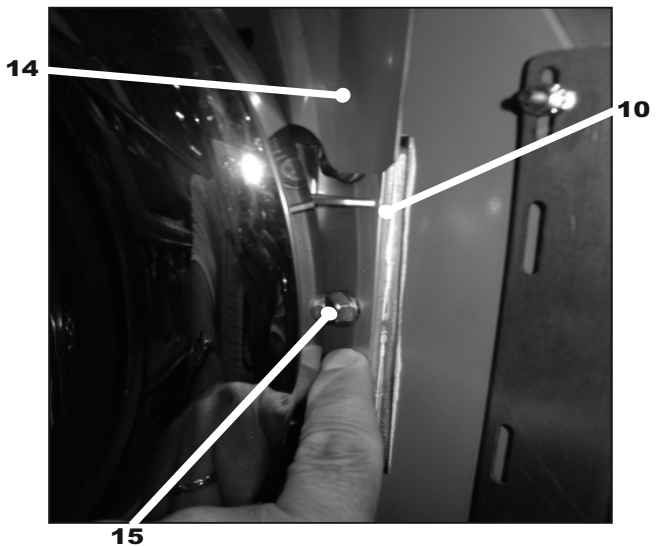
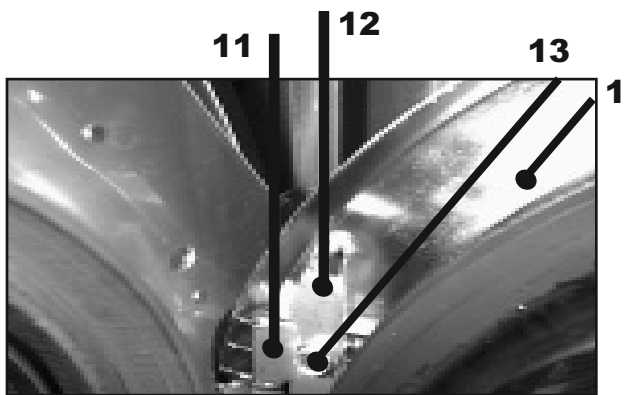
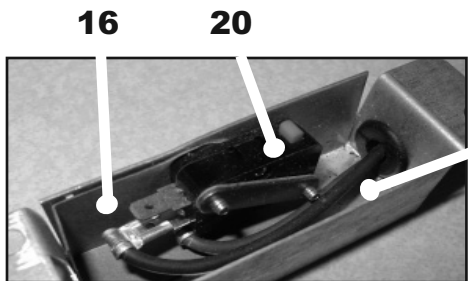
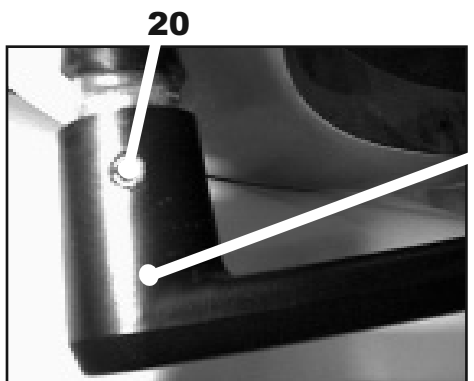
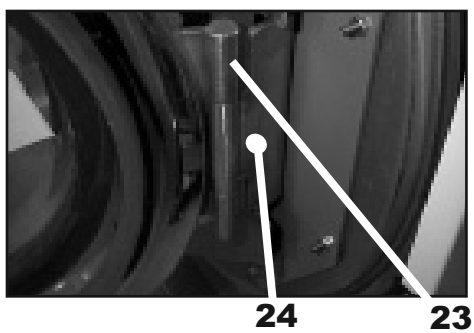
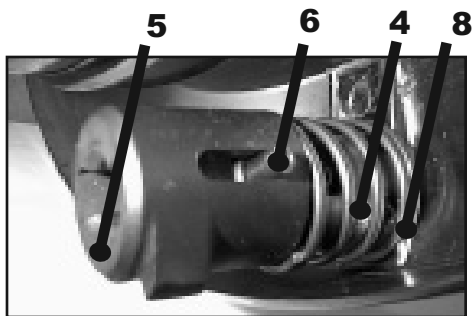
Key	Description	T-300	T-400	T-650
33	Lock Assy, Complete (#1-22) (includes #1 thru #22)	9885-023-001	9885-023-001	9885-023-001
1	Plate Assy, Door Lock	9982-284-001	9982-284-001	9982-284-001
2	Washer, Flat	8641-581-030	8641-581-030	8641-581-030
3	Actuator, Latching Switch	9008-005-001	9008-005-001	9008-005-001
4	Pawl, Locking	9450-002-002	9008-002-002	9008-005-001
5	Washer, Spring	8641-569-003	8641-569-003	8641-569-003
6	Ring, Retaining	9487-200-004	9487-200-004	9487-200-004



## Door Lock Part # by Model (continued)

Key	Description	T-300	T-400	T-650	QTY
7	Bracket, Switch	9029-035-001	9029-035-001	9029-035-001	
8	Nut, Hex 10-32 UNF	8640-413-002	8640-413-002	8640-413-002	
9	Spring, Actuating	9534-364-002	9534-364-002	9534-364-002	
10	Screw, Hx. 10-32 x 1"	9545-012-020	9545-012-020	9545-012-020	
11	Nut, Elastic Stop 10-32	8640-413-004	8640-413-004	8640-413-004	
12	Spring, Return	9534-364-001	9534-364-001	9534-364-001	
13	Pin, Guide	9451-193-001	9451-193-001	9451-193-001	.
14	Ring, Retaining	9487-200-005	9487-200-005	9487-200-005	.
15	Washer	8641-581-031	8641-581-031	8641-581-031	
16	Switch, Latching Sensing	9539-461-008	9539-461-008	9539-461-008	
17	Shield, Switch	9550-169-003	9550-169-003	9550-169-003	
18	Screw 4-40 x 5/8"	9545-020-001	9545-020-001	9545-020-001	
18	Nut, Twin	8640-401-001	8640-401-001	8640-401-001	
19	Switch, Locking Sensing	9539-461-007	9539-461-007	9539-461-007	
20	Actuator, Switch	9008-006-002	9008-006-002	9008-006-002	.
21	Screw 4-40 x 1 1/8"	9545-020-003	9545-020-003	9545-020-003	
21	Nut, Twin 4-40	8640-401-001	8640-401-001	8640-401-001	
22	Pin, Dowel	9451-181-004	9451-181-004	9451-181-004	
--	Shim, Door Lock, Thin	9552-037-001	9552-037-001	9552-037-001	
--	Screw, Lock mtg 1/4"-20 x 3/4"	9545-018-004	9545-018-004	9545-018-004	
--	Lockwasher 1/4" Ext tooth	8641-582-007	8641-582-007	8641-582-007	
34	Solenoid Ass'y, Door Locking (includes 23 thru 32)	9922-001-001	9922-001-001	9922-001-001	
23	Bracket, (Door Locking Solenoid)	9029-073-001	9029-073-001	9029-073-001	
24	Bracket Ass'y, Solenoid Slide	9985-169-001	9985-169-001	9985-169-001	
25	Solenoid 120V 60 hz	9536-074-001	9536-074-001	9536-074-001	
26	Screw, Solenoid Mtg	9545-008-001	9545-008-001	9545-008-001	
27	Stop, Door Lock Solenoid	9540-033-002	9540-033-002	9540-033-002	
28	Screw, Shoulder	9545-061-001	9545-061-001	9545-061-001	.
28	Nut, Keps #6	8640-411-003	8640-411-003	8640-411-003	.
29	Thermoactuator 120 V	9586-001-001	9586-001-001	9586-001-001	
30	Screw #6 x 5/16"	9545-008-001	9545-008-001	9545-008-001	
31	Spacer, Plastic	9538-157-004	9538-157-004	9538-157-004	.
31	Spacer, Metal	9538-166-004	9538-166-004	9538-166-004	
31	Screw, Cross Recessed	9545-010-001	9545-010-001	9545-010-001	
31	Nut, Keps #8	8640-412-005	8640-412-005	8640-412-005	.
--	Nut, Sol. Brkt. to Control Panel	8640-412-005	8640-412-005	8640-412-005	
--	Rod, Pull	9497-225-004	9497-225-006	9497-225-007	

# Parts Data



## Loading Door Part # by Model

Key	Description	T-300	T-400	T-650	QTY
--	Loading Door, Complete #1-10	9960-273-001	9960-274-002	9960-274-002	1
1	Loading Door, Ring	9487-264-001	9487-265-001	9487-265-001	1
2	Gasket, Loading Door	9206-411-002	9206-419-001	9202-419-001	1
3	Window, Loading Door	9635-018-001	9635-016-001	9635-016-001	1
--	Shaft Assy, Locking (includes 4 thru 7)	9913-134-003	9913-134-003	9913-134-003	1
4	Shaft, Door Locking	9537-195-002	9537-195-002	9537-195-002	1
5	Cam, Locking	9095-040-002	9095-040-002	9095-040-002	1
6	Pin, Groove (1 1/4)	9451-181-005	9451-181-005	9451-181-005	1
7	Pin, Groove (3/4)	9451-181-004	9451-181-004	9451-181-004	1
8	Spring, Lock Cam	9534-360-002	9534-360-002	9534-360-002	1
9	Handle, Door	9244-080-003	9244-080-003	9244-080-003	1
10	Door Hinge Assy (mounts to Tub Front)	9243-079-001	9243-079-001		1
20	Pin, Door Handle (groove)	9451-181-006	9451-181-006	9451-181-006	1
21	Screw, Hinge Mtg 5/16" x 3/4"	9545-014-009	9545-014-009	9545-014-009	3
--	Lockwasher 5/16" Ext tooth	8641-582-009	8641-582-009	8641-582-009	3
--	Shim, Loading Door Hinge, Thin	9552-036-001	9552-036-001	9552-036-001	1
11	Loading Door Hinge Pin Brass	9451-184-004			1
--	Ring, Retaining ( snap ring ext )	8649-031-000			1
12	Loading Door Hinge Clamp (mounts to door ring )	9938-040-001	9938-040-002	9938-040-002	1
13	Screw, Loading Door Mtg (5/16" TF)	9545-056-001	9545-056-001	9545-056-001	3
14	Masking Assembly	9950-059-001	9950-060-001	9950-060-001	1
--	Rubber Edging (mounts to Front Panel)	9059-063-004	9059-063-002		1
--	Nut, Keps	8640-413-002	8640-413-002	8640-413-002	4
15	Switch Safety	9801-089-001	9801-089-001	9801-089-001	1
16	Safety switch shield	9550-159-001	9550-159-001	9550-159-001	1
--	Wiring Harness doorlock safety switch	9627-791-003	9627-791-003	9627-791-004	1
17	Wires Red 17"	8220-062-027	8220-062-027	8220-062-027	1
18	Wires Black 17"	8220-062-028	8220-062-028	8220-062-028	1
19	Switch Assembly Complete Door Closure	9801-089-001	9801-089-001	9801-089-001	1
22	Switch Box	9041-087-001	9041-087-001	9041-087-001	1
--	Bushing Insulating	9053-067-003	9053-067-003	9053-067-003	1
--	Nut Special Twin #4-40	8640-401-001	8640-401-001	8640-401-001	1
--	Screw 4-40x5/8	9545-020-001	9545-020-001	9545-020-001	2
--	Door Switch Actuator	9008-004-001	9008-004-001	9008-004-001	1

## 1 Braking Resistor



5

## 14 & 15



4

3

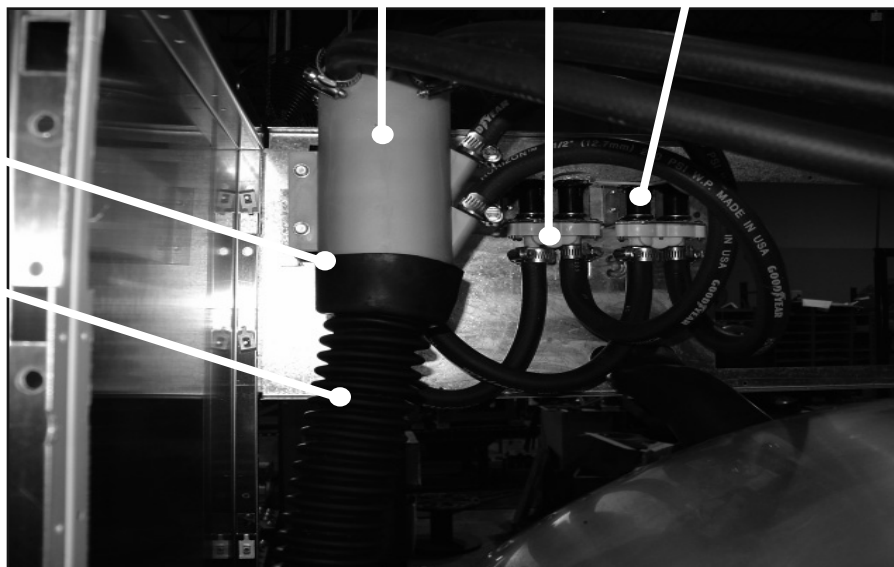
4

1

1

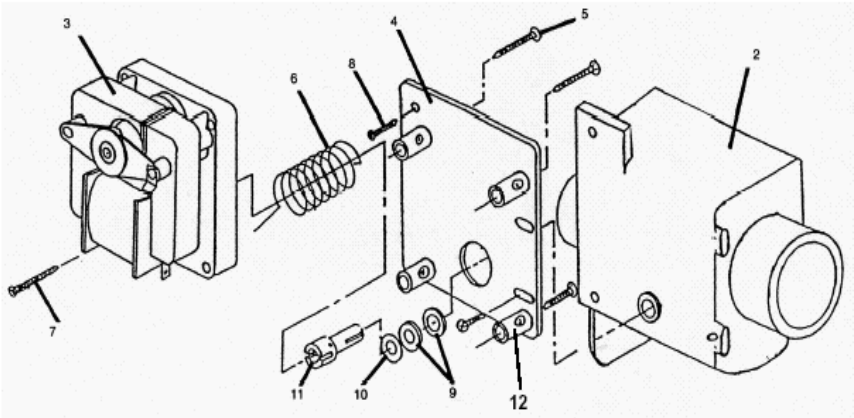
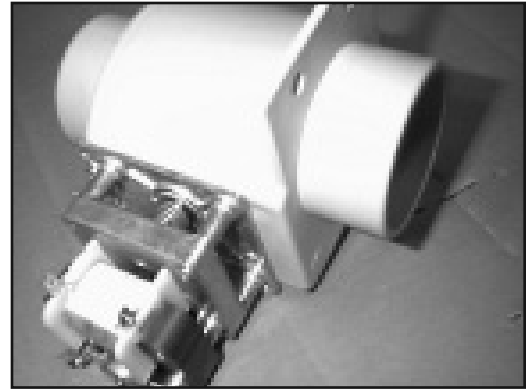
Clamp

5



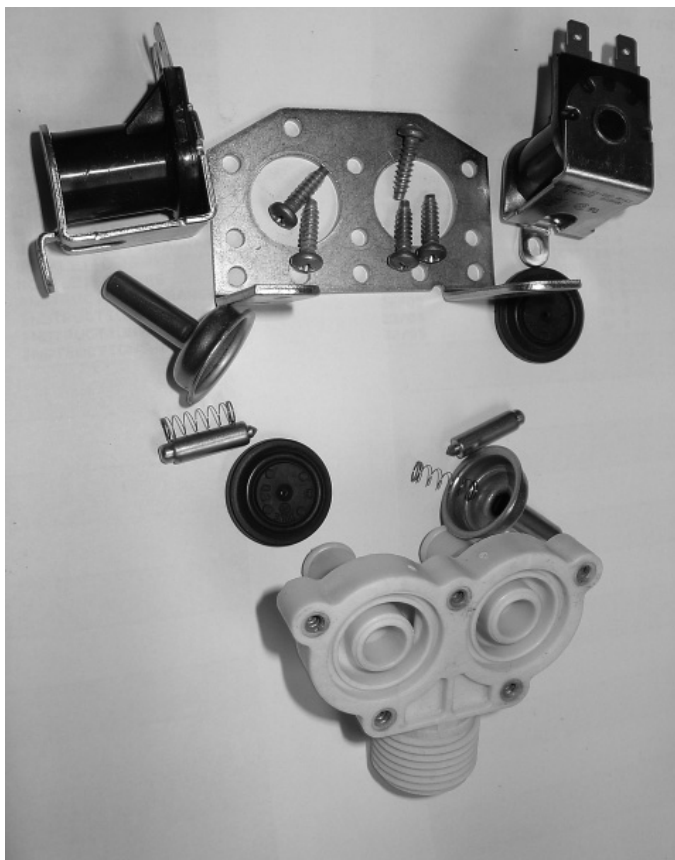
## Water Inlet Part # by Model

Key	Description	T-300	T-400	T-650	QTY
1	Valve, Water Inlet (dual outlet) (see Water Inlet Valve Breakdown for individual parts)	9379-183-003	9379-183-003	9379-183-003	2
--	Hose, Hot Valve to Vac. Brkr 14 1/2"	9242-453-016	9242-453-016		1
--	Screw, Valve Mtg & Guard Mtg	9545-008-026	9545-008-026	9545-008-026	4
--	Nut, Spring	8640-399-009	8640-399-009	8640-399-009	4
--	Nut for Shield	8640-413-004	8640-413-004	8640-413-004	2
3	Metal Guard Water Valve Terminal			9208-049-001	1
4	Vacuum Breaker	9610-001-001	9610-001-001	9610-001-001	1
--	Bracket, Vacuum Breaker	9029-065-001	9029-077-001	9029-069-001	1
--	Screw	9545-008-026	9545-008-026	9545-008-026	1
--	Shield over Water Valves Plastic	9550-186-001	9550-186-001	9550-186-001	1
5	Hose, Vacuum Breaker to Tub	9242-458-001	9242-458-002	9242-458-003	1
--	Clamp, Vacuum Breaker End	8654-117-014	8654-117-014	8654-117-014	1
--	Clamp, Tub End	8654-117-008	8654-117-009	8654-117-009	1
6	Hose, Vac. Brkr. to Disp.20"			9242-453-006	1
7	Hose, Vac. Brkr. to Disp.23"			9242-453-009	1
8	Hose, Hot Valve to Vac. Brkr 18"		9242-453-020	9242-453-020	1
9	Hose, Hot Valve to Tub 18"		9242-453-020	9242-453-020	1
10	Hose, Cold Valve to Vac. Brkr 18"	9242-453-020	9242-453-020	9242-453-020	1
11	Hose, Cold Valve to Tub 18"	9242-453-020	9242-453-020	9242-453-020	1
--	Clamp, Hose-Spring ( overflow from drain to tub back )	8654-029-000	8654-029-000	8654-029-000	2
--	Clamp, Hose-Worm 1"	8654-117-015	8654-117-015	8654-117-015	12
--	Flow restrictor	9475-002-002	9475-002-002	9475-002-002	2
--	Sensor Shield for 10-32 x 3/4"	9545-012-006	9545-012-006	9545-012-006	2
--	Circuit Breaker (optional)	5198-211-004	5198-211-004	5198-211-004	1
14	Fuseholder (standard)	9200-001-002	9200-001-002	9200-001-002	1
15	Fuse 1.5 amp	8636-018-001	8636-018-001	8636-018-001	1
15	Fuse label	8502-716-001	8502-716-001	8502-716-002	1
	Hose 12 5/16	9242-453-015			
	Hose Dispenser to Tub	9242-450-002	9242-450-002	9242-450-001	1
	Hose 18 1/4" Hot Valve to Vac Brkr	9242-450-002	9242-453-017		1



## Drain Valve Group Part # by Model

Key	Description	T-300	T-400	T-650	QTY
--	Valve, Drain (includes #2 thru #11)	9379-177-006	9379-187-004	9379-187-004	1
2	Body, Valve (w/ball)	9064-068-001	9064-070-001	9064-070-001	1
3	Motor & Gear Train (complete)	9914-137-001	9917-137-001	9917-137-001	1
4	Plate, Motor Mtg	9452-538-001	9452-538-001	9452-538-001	1
5	Screw	8639-994-001	8639-994-001	8639-994-001	3
6	Spring, Drive	9534-340-001	9534-339-001	9534-339-001	1
7	Screw	9545-054-001	9545-054-001	9545-054-001	2
8	Screw	9545-054-002	9545-054-002	9545-054-001	1
9	Seal, V Packer	9532-134-001	9532-134-001	9532-134-001	2
10	Washer	8641-584-001	8641-584-001	8641-584-001	1
11	Pin, Main Drive	9451-196-001	9451-196-001	9451-196-001	1
12	Plate (spacers needed for replacement motor mtg. plate)	9538-149-001	9538-149-001	9538-149-001	4
13	Stator and Coil Assembly	9089-036-004	9089-036-004	9089-036-004	
--	Valve Drain before Serial # 482181	9379-177-006	9379-187-001	9379-187-001	
--	Motor Gear Train to Fit before Serial # 482181	9914-137-001	9914-137-001	9914-137-001	



## Water Inlet Valve Breakdown Part # by Model

Key	Description	T-300	T-400	T-650	QTY
*	Valve, Water Inlet (includes 1 thru 6)	9379-183-003	9379-183-003	9379-183-003	2
1	Screen, Inlet end of valve	9555-056-001	9555-056-001	9555-056-001	2
2	Coil Assy., 120 V	9089-017-001	9089-017-001	9089-017-001	2
3	Diaphragm	9118-049-001	9118-049-001	9118-049-001	2
4	Guide, Solenoid	9211-021-002	9211-021-002	9211-021-002	2
5	Armature	9015-008-001	9015-008-001	9015-008-001	2
6	Spring, Armature	9534-298-001	9534-298-001	9534-298-001	2
--	Screw, Valve Mtg	9545-008-026	9545-008-026	9545-008-026	2

## Wiring Harness Part # by Model

Key	Description	T-300	T-400	T-650	QTY
--	Wiring Harness ( Add Bleach Lite assy included )	9794-001-001	9794-001-001	9794-001-001	1
--	Wiring Harness, Door Lock	9627-791-003	9627-791-003	9627-791-004	1
--	Wiring Harness,CoinDrop Mech	9627-792-001	9627-792-001	9627-792-001	1
--	Wiring Harness, Drain,Thermo,DoorSol	9627-796-001	9627-796-001	9627-796-002	1
--	Data Cable	9806-015-001	9806-015-001	9806-015-001	1
--	Wiring Harness P20/P21	9627-793-001	9627-793-001	9627-793-001	1
--	Wiring Harness P8/P16	9627-794-004	9627-794-001	9627-794-001	1
--	Wiring Harness WaterValve/P19	9627-795-001	9627-795-001	9627-795-002	1
--	Wiring Harness LED PCB	9627-797-001	9627-797-001	9627-797-001	1
--	Wiring Harness P5/pressure	9627-801-001	9627-801-001	9627-801-001	1
--	Wiring Assembly Yel. 32"	8220-064-023	8220-064-023	8220-064-023	2
--	Wiring Assembly Red 20"	8220-001-282	8220-001-282		1
--	Wiring Assembly Jumper Yel	8220-123-001	8220-123-001	8220-123-001	
--	Wiring Assembly Red 28"			8320-062-025	2
--	Wiring Assembly Blk. 17"	8220-062-028	8220-062-028	8220-062-028	
--	Wiring Assembly Red 17"	8220-062-027	8200-062-027	8220-062-027	
--	Wiring Assembly Jumper BLK.	8220-117-002	8220-117-002	8220-117-002	1
--	Wiring Assembly Red 7"	9631-381-018	9631-381-018	9631-381-018	1
--	Wiring Assembly Blu/Wht	8220-090-009	8220-090-009	8220-090-009	1
--	Wiring Assembly Blk/Blu	8220-001-231	8220-001-231	8220-001-231	1
--	Wire Assembly Green 7"	8220-001-478			1
--	Harness Power Terminal Block	9627-831-001	9327-747-003	9627-747-003	1
--	Wire Assembly Blk/Red 8 1/2"	8220-001-230			
--	Wire Assembly Green 14"	8220-121-001			



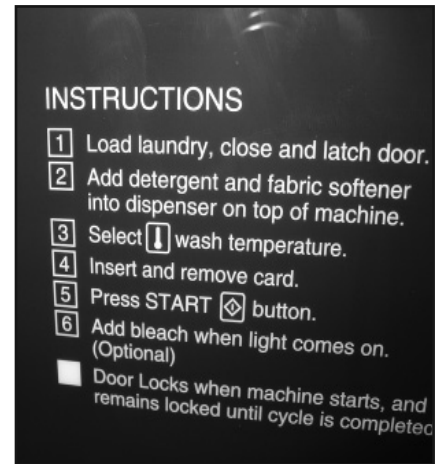
## Labels and Diagrams All WCAD Models



Door Label



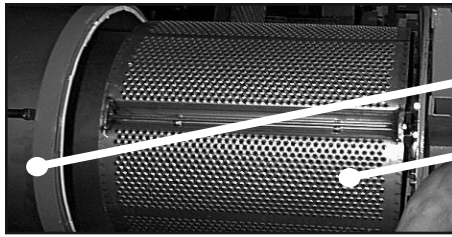
Risk of Injury Label



Instructions Label  
On Name Plate

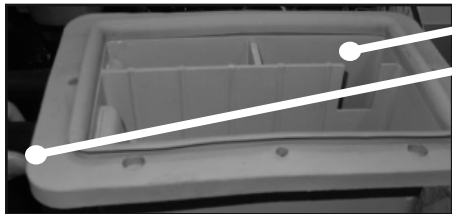
Key	Description	T-300	T-400	T-650	QTY		
--	Wiring Diagram	9506-119-001	9506-121-001	9506-127-001			
--	Transient Voltage Surge Suppressor Infomational	8507-330-001	8507-330-001	8507-330-001			
--	Instructions Spin Direction	8507-273-001	8507-274-001	8507-275-001			
--	Wiring Schematic,	9506-118-001	9506-120-001	9506-126-001			
--	Label High Voltage Warning	8502-614-004	8502-614-004	8502-614-004			
--	Label Fusing & Installation	8502-619-003	8502-619-003	8502-619-003			
--	Label Quality	8511-001-002	8511-001-002	8511-001-002			
1	Label Warning Risk of Injury	8502-722-002	8502-722-002	8502-722-002			
2	Label Warning Door Opening	8502-723-002	8502-624-002	8502-723-002			
--	Booklet Owners	8514-094-001	8514-070-001	8514-098-001			
--	Label Nameplate RH (STOP)	8502-726-001					
--	Instructions Washer Install & Start-up	8507-351-001	8507-351-001	8507-351-001			
--	Instruction Transformer Coin	8507-230-001	8507-230-001	8507-230-001			
--	Nameplate	9412-136-001	9412-138-001	9412-140-001			
--	Label Electrical Connection		8502-649-001	8502-649-001			

# Parts Data



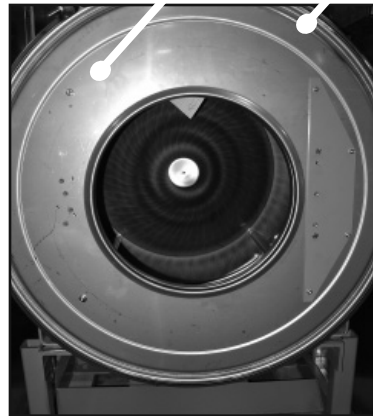
7

2



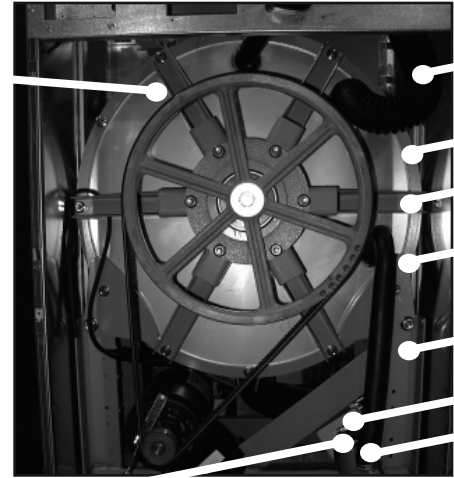
13

15



25

25



2

18

7

16&17

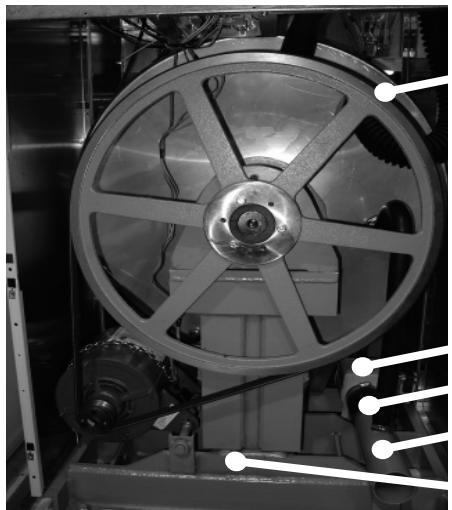
3

1

9

11

19



2

9

19

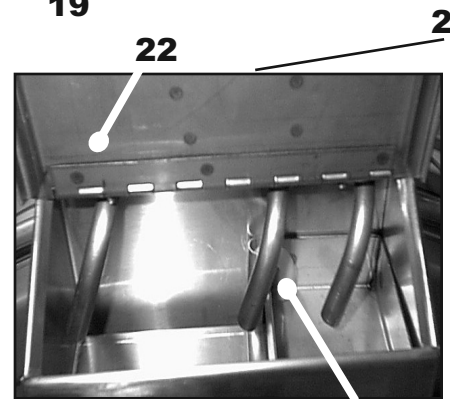
11

1

16  
&  
17



13



22

21

13

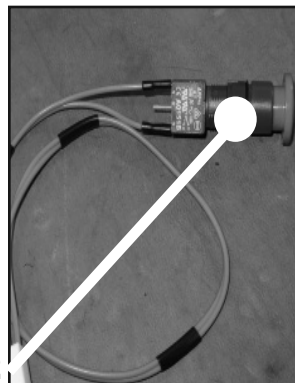
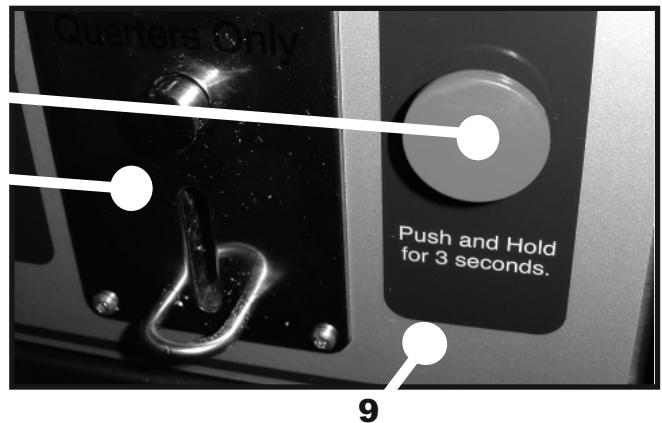
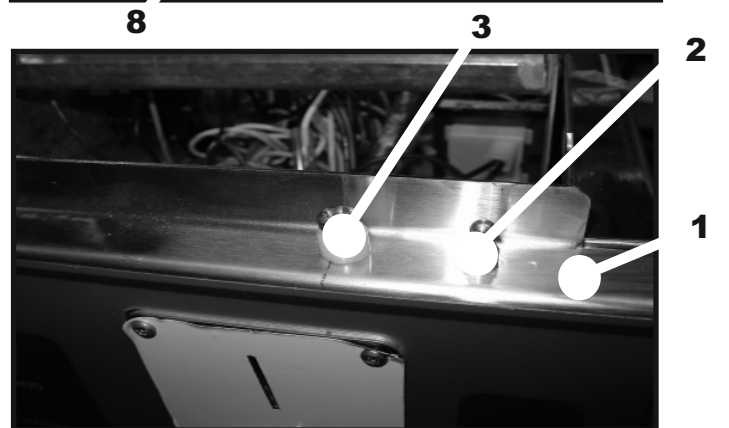
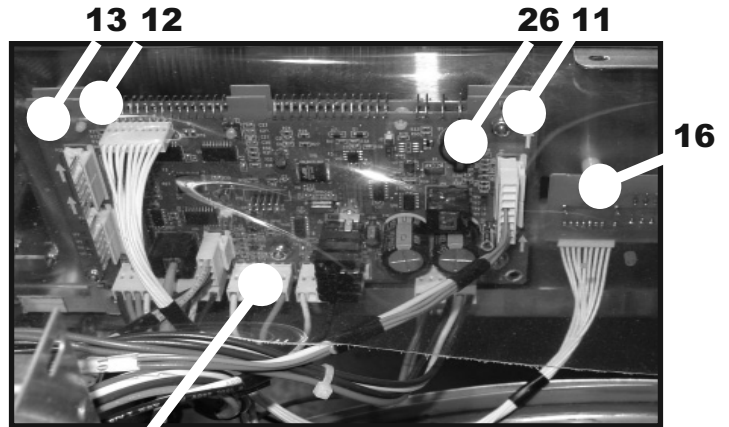
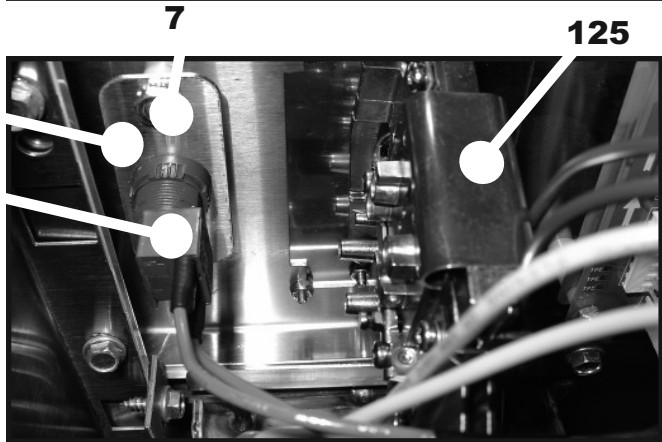
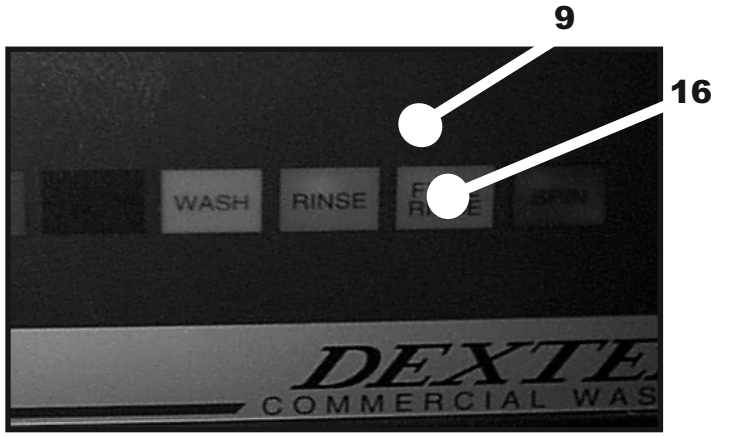
## Chassis and Drain Part # by Model

Key	Description	T-300	T-400	T-650	QTY
1	Base Assy,Frame	9945-119-002	9945-116-002	9945-112-002	1
2	Outer Tub Assy	9930-143-001	9930-142-001	9930-148-001	1
--	Tub & Cylinder Assy	9869-013-002	9869-014-001	9869-019-002	1
4	Ring Assy, Tub Mtg-Front Clamp	9950-057-002	9950-051-004	9950-055-001	1
5	Bolt, Top Front Ring 3/8"-16 x 3"			9545-029-009	1
5	Nut Hex 3/8"-16			8640-415-001	1
7	Ring Assy,Clamp Tub Mtg.- Rear	9950-046-002	9950-056-002		1
8	Bolt, 1/2" x 1 1/4 Rings to Base	9545-017-009			4
--	Screw Drain Tube (Bracket to Base 1/4Bx3/4 )	9545-008-026	9545-008-026	9545-008-026	2
11	Tube Assy, Drain	9915-117-001	9915-119-002	9915-124-002	1
--	Cylinder Assembly Only	9848-121-001	9848-123-001	9848-116-002	1
--	Gasket for Tub Front			9206-421-002	1

## Chassis and Drain Part # by Model (continued)

Key	Description	T-300	T-400	T-600	QTY
--	Washer 1/2 Flat	8641-581-026			5
--	Nut 1/2" Flange Whiz Lok Front Ring	8640-417-005			5
--	Hose, Tub to Drain Valve	9242-455-001	9242-456-001	9242-456-001	1
8	Ext Tooth 5/8"		8641-582-018		1
8	Nut, Hex 5/8-11 Whizlok		8640-425-001		6
9	Valve, Drain	9379-177-009	9379-187-001	9379-187-004	1
10	Bracket, Drain Valve	9029-005-001			1
--	Screw, Valve to Bracket 10ABx1/2	9545-008-026			
19	Hose, Drain Valve to Tube	8242-452-001	8242-457-001	8242-457-001	1
--	Clamp, Hose (Drain Valve to Tube)	8654-117-014	8654-117-014	8654-117-014	4
--	Shim, Support Assembly ( thin )	9552-038-001	9552-038-001	8654-117-001	AR
18	Hose, Vacuum Brkr. to Tub				1
13	Dispenser Soap	9122-005-004	9122-005-004	9122-005-004	1
15	Gasket, Dispenser	9206-416-001	9206-416-001	9206-416-001	1
--	Nut Spring SS	8640-399-007	8640-399-007	8640-399-007	4
--	Hose, Dispenser to Tub	9242-450-002	9242-450-002	9242-450-001	1
--	Clamp, Dispenser Hose	8654-117-008	8654-117-008	8654-117-008	2
14	Back Ass'y, Tub	9962-016-001	9962-013-002		1
16	Bolt, 7/16" x 2" Tub Back to Tub		9545-059-002		12
17	Nut, Flange Lock 7/16"		8640-416-005		12
20	Bolt, 1/2-13x2, Grd 5 Tub to Base		9545-017-013		
--	Washer, Flat 1/2"		8641-581-001		
21	1/2" Nut		8640-417-005		
--	Screw 12 AB x 1/2"		9545-048-001		
22	Screw Hexhead 1/4 x 3/4"		9545-030-002		2
--	Washer 1/4"		8641-581-018		1
--	Screw Hexhead 1/2 x 2 Bolts Frontring		9545-017-016		1
--	Flow restrictors	9475-002-002	9475-002-002	9475-002-002	
25	Front Ass'y, Tub			9974-007-001	
--	Screw, 3/8-16 x 3 1/2	9475-002-002			16
24	Nut, Hex 3/8-16	8640-415-004			16
--	Bolt 3/8-16 x 1 3/4	9545-029-006			2
--	Bolt 1/2 - 12 x 3 Top Front tub clamp	9545-017-012			1
--	Bolt 5/8 - 11 x 1 1/2"		9545-060-001		4

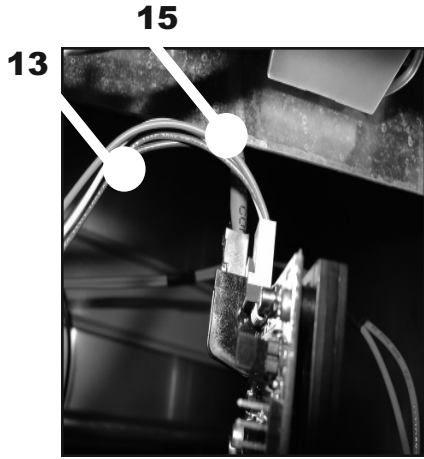
# Parts Data



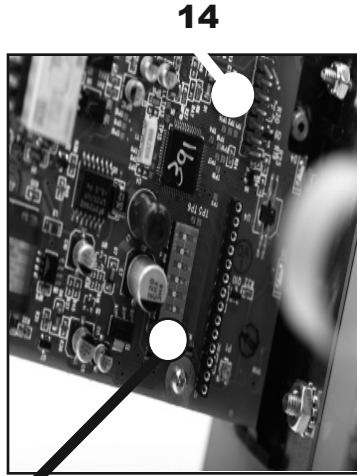
## Coin Acceptor Control Panel Part # by Model

Key	Description	T-300	T-400	T-650	QTY
1	Panel Control Assembly(panel only)	9989-496-001	9989-497-001	9989-476-001	1
--	Screw, Hxwshrhdundct #10Bx 1/2"	9545-008-026	9545-008-026	9545-008-026	4
2	Post Locator Top	9467-024-001	9467-024-001	9467-024-001	2
--	Nut Hexkeps #6-32	8640-411-003	8640-411-003	8640-411-003	2
3	Locator Panel	9355-001-001	9355-001-001	9355-001-001	2
--	Screw FillHDCR 10Bx1/2" Guide	9545-008-023	9545-008-023	9545-008-023	2
--	Spacer Pushbutton (Micro)	9538-178-001	9538-178-001	9538-178-001	1
--	Retainer Pushbutton ( Micro)	9486-150-001	9486-150-001	9486-150-001	1
--	Nut Hexelasticstop #4-40	8640-424-002	8640-424-002	8640-424-002	2
10	Pushbutton Control (coin)	9035-060-003	9035-060-003	9035-060-003	1
7	PCB assembly Control /Display STOP	9473-009-001	9473-009-001	9473-009-001	1
11	Spacer Plastic #6x9/16	9538-157-018	9538-157-018	9538-157-018	5
11	Nut Elasticstop #6-32	8640-411-003	8640-411-003	8640-411-003	5
--	Harness LEDPCB	9627-797-001	9627-797-001	9627-797-001	1
8	Harness Doorlock	9627-791-003	9627-791-003	9627-791-004	1
16	PCB assembly Mode lights	9473-005-001	9473-005-001	9473-005-001	1
--	Spacer Plastic #6x9/16	9538-157-018	9538-157-018	9538-157-018	2
9	Nut Hexkeps #6-32	8640-411-003	8640-411-003	8640-411-003	2
19	Light, LED,ADD BLEACH Assembly	9794-001-001	9794-001-001	9794-001-001	1
--	Spacer Plastic #6x9/16	9538-157-018	9538-157-018	9538-157-018	2
--	Nut Hexeps #6-32	8640-411-003	8640-411-003	8640-411-003	2
--	Nameplate,Control Panel (one piece)	9412-136-001	9412-138-001	9412-125-001	1
22	Switch Assembly Emergency Stop (includes wire harness)	9801-092-001	9801-092-001	9801-092-001	1
--	Spacer Plastic #8x5/16 E-Stop	9538-157-020	9538-157-020	9538-157-020	2
--	Nut HexKep #8-32	8640-412-005	8640-412-005	8640-412-005	2
--	Solenoid Ass'y, Door Locking (see Door Lock Group for parts breakdown )	9922-011-001	9922-011-001	9922-011-001	1
--	Hex Nuts (mounting solenoid assy. to control panel )	8640-412-005	8640-412-005	8640-412-005	4
26	Battery	8612-001-001	8612-001-001	8612-001-001	1
125	Coin Acceptor \$.25 US	9021-001-010	9021-001-010	9021-001-010	1
--	Plastic Shield over main PCB	9550-184-001	9550-184-001	9550-184-001	1
27	Plate to mount e-stop button	9452-725-001	9452-725-001	9452-725-001	1

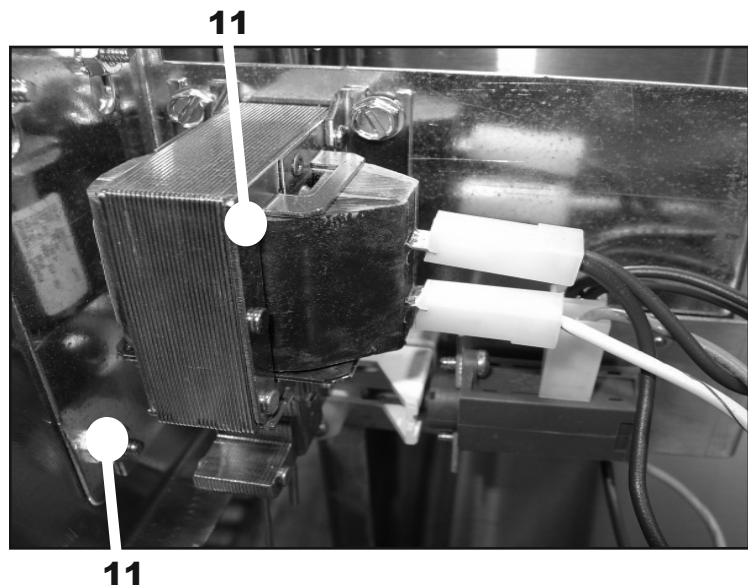
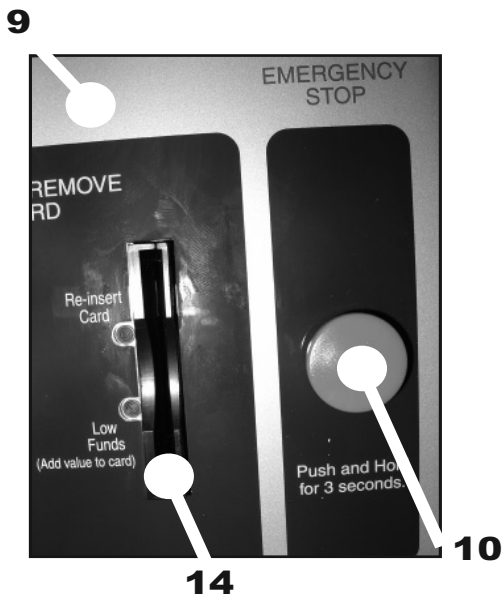
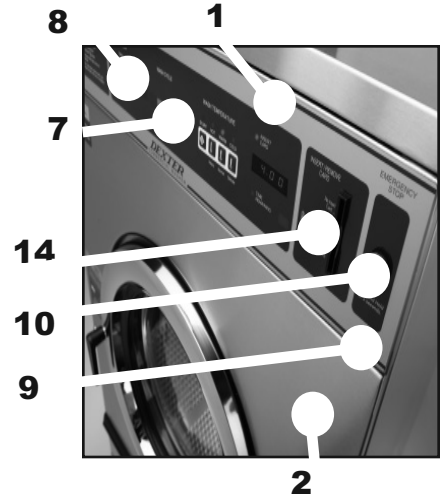
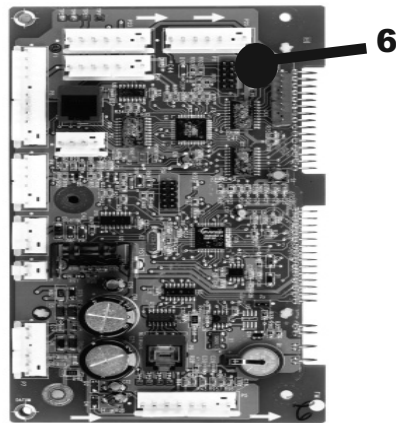
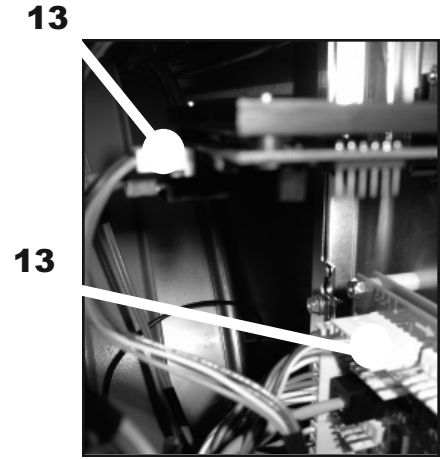
# Parts Data



**Reader Wire  
Harness  
Connection**



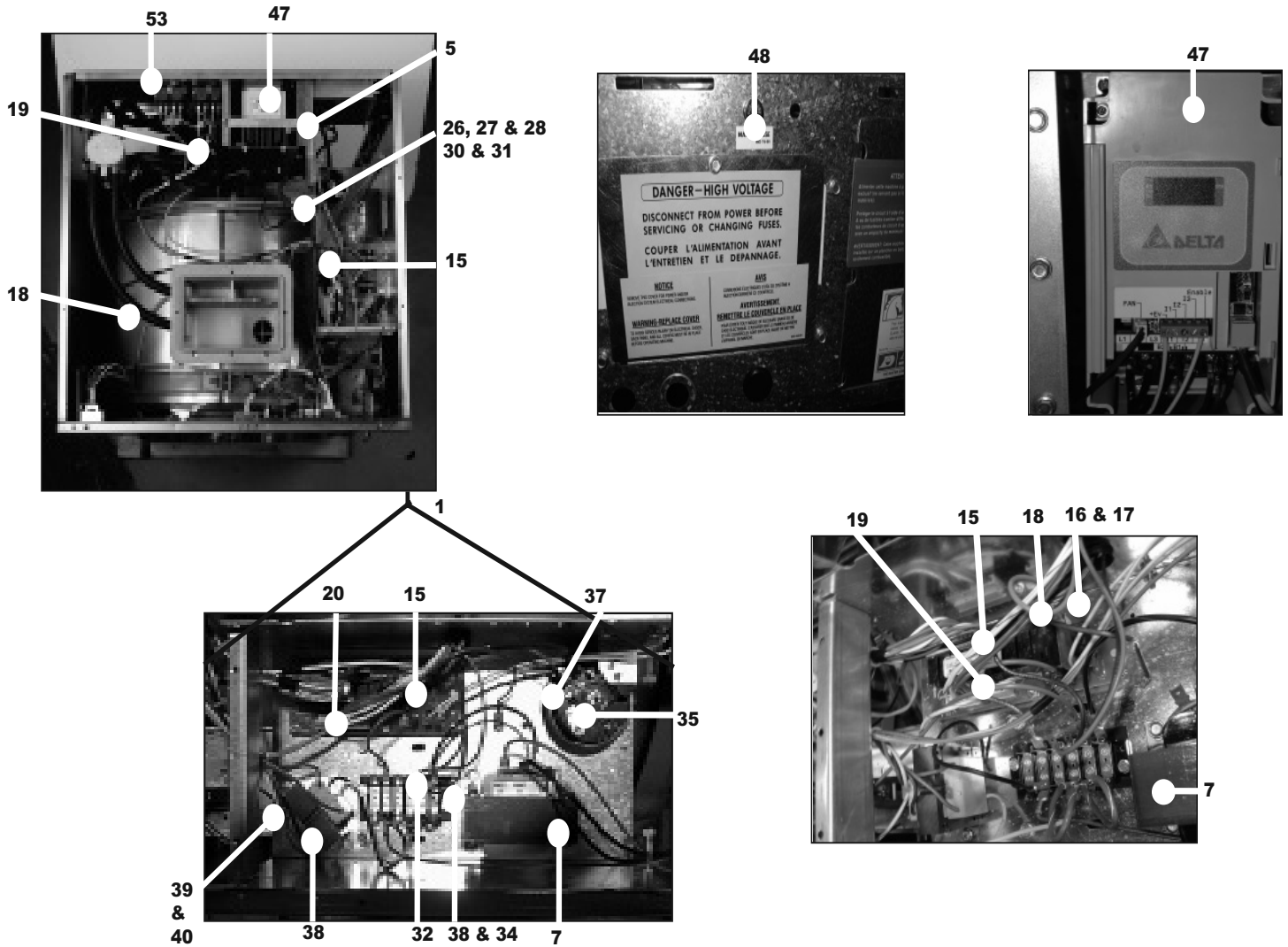
**Address Switch**



## Integrated Easy Card Control Panel Part # by Model

Key	Description	T-300	T-400	T-600	QTY
1	Panel Assembly (panel only)	9989-501-001	9989-502-001	9989-504-001	
--	Screw, Hxwshrhdundct #10Bx 1/2"				
2	Front Panel	9454-781-002	9454-659-002	9454-671-002	
--	Post Locator Top	9467-024-001	9467-024-001	9467-024-001	
--	Nut Hexkeys #6-32	8640-411-003	8640-411-003	8640-411-003	
--	Locator Panel	9355-001-001	9355-001-001	9355-001-001	
--	Screw FillHDCR 10Bx1/2"	9545-008-023	9545-008-023	9545-008-023	
--	Spacer Pushbutton (Micro)	9538-178-001	9538-178-001	9538-178-001	
--	Retainer Pushbutton ( Micro)	9486-150-001	9486-150-001	9486-150-001	
--	Nut Hexelasticstop #4-40	8640-424-002	8640-424-002	8640-424-002	
5	Pushbutton Control (coin)	9035-060-003	9035-060-003	9035-060-003	
6	PCB assembly Control /Display STOP	9473-009-001	9473-009-001	9473-009-001	
--	Spacer Plastic #6x9/16	9538-157-017	9538-157-018	9538-157-018	
--	Nut Elasticstop #6-32	8640-411-003	8640-411-003	8640-411-003	
--	Harness LEDPCB	9627-797-001	9627-791-001	9627-791-001	
--	Harness Doorlock	9627-791-003	9627-791-003	9627-791-003	
7	PCB assembly Mode lights	9473-005-001	9473-005-001	9473-005-001	
--	Spacer Plastic #6x9/16	9538-157-018	9538-157-018	9538-157-018	
--	Nut Hexkeys #6-32	9194-001-001	8640-411-003	8640-411-003	
8	Light, LED,ADD BLEACH Assembly	9794-001-001	9794-001-001	9794-001-001	
--	Spacer Plastic #6x9/16	9538-157-018	9794-001-001	9794-001-001	
--	Nut Hexepts #6-32	9538-157-018	9538-157-018	9538-157-018	
9	Nameplate,Control Panel (one piece)	9412-145-001	9412-147-001	9412-149-001	
10	Switch Assembly Emergency Stop	9801-092-001	9801-092-001	9801-092-001	
11	Solenoid Ass'y, Door Locking (see Door Lock Group for parts breakdown )	9922-011-001	9922-011-001	9922-011-001	
16	Hex Nuts ( mounting solenoid assy. to control panel )	8612-001-001	8612-001-001	8612-001-001	
12	Battery	8612-001-001	8612-001-001	8612-001-001	
-13	Harness V-reader ALL MODELS	9627-827-001	9627-827-001	9627-827-001	
14	Card Reader Assembly Complete	9797-008-001	9797-008-001	9797-008-001	
15	Cable Assembly 4 twisted pair 12' shld/unshld reader to rear of machine	9806-013-002	9806-013-002	9806-013-002	
--	Wiring Schematic IEC	9506-104-001	9506-106-001	9506-112-001	
--	Wiring Diagram IEC	9506-105-001	9506-107-001	9506-113-001	

# Parts Data



## Electrical Components - Top Compartment

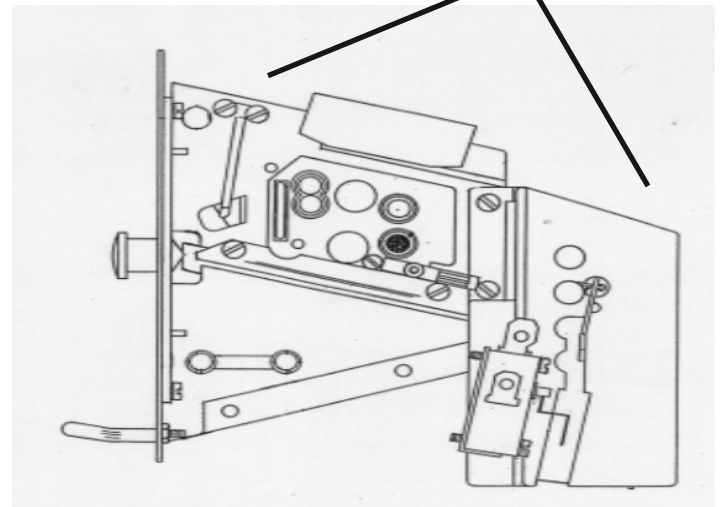
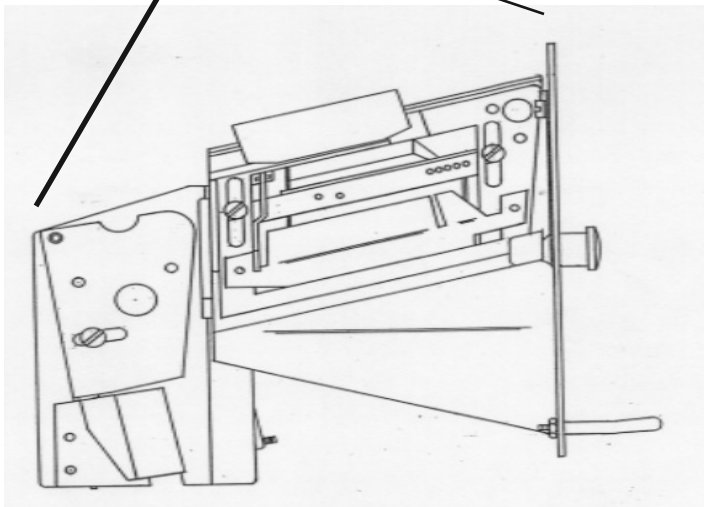
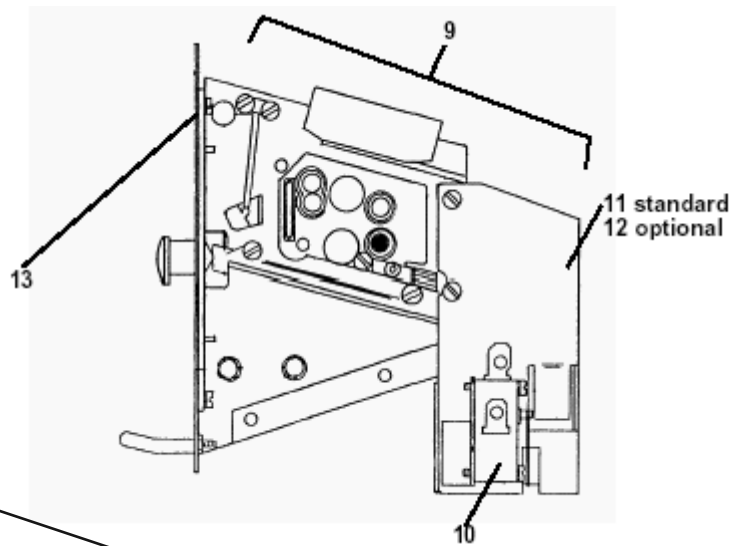
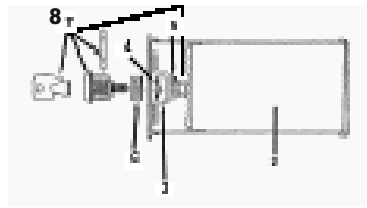
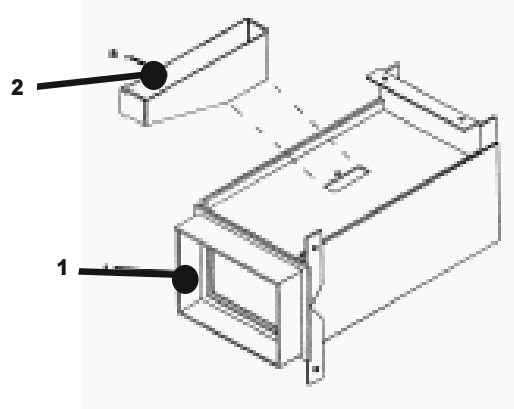
Key	Description	T-300	T-400	T-650	QTY
1	Trough Assy,Controls 208-240 volt (all parts below #2-#43 & trough)	9857-157-003	9857-151-003	9857-159-002	1
2	Trough only	9839-015-001	9839-015-001	9839-015-001	1
3	Screw, Trough Sides	9545-008-026	9545-008-026	9545-008-026	4
4	Lockwasher Exttooth #10	8641-582-006	8641-582-006	8641-582-006	4
5	Angle Support Trough	9003-295-001	9003-298-001	9003-298-001	1
6	Screw, Trough Bracket	9545-008-026	9545-008-026	9545-008-026	4
7	Transformer, Control (Secondary Voltage of 115 volts)	8711-004-001	8711-004-001	8711-004-001	1
8	Screw, Mtg #8Bx1/4"	9545-045-001	9545-045-001	9545-045-001	2
10	Lockwasher	8641-582-005	8641-582-005	8641-582-005	2



## Electrical Components - Top Compartment & Rear Panel

Key	Description	T-300	T-400	T-650	QTY
12	Screw GRN. #10-32x 1/2"	8639-621-007	8639-621-007	8639-621-007	1
13	Lockwasher #10	8641-582-006	8641-582-006	8641-582-006	1
14	Grounding Terminal	8652-130-037	8652-130-037	8652-130-037	1
15	PCB assembly Relay Main	9473-006-001	9473-006-001	9473-006-001	1
16	Spacer Plastic #8x3/8"	9538-157-011	9538-157-011	9538-157-011	6
17	Nuts Hexkeys #6-32	8640-411-003	8640-411-003	8640-411-003	6
18	Harness Drain/Therm/Sol	9627-796-001	9627-796-001	9627-796-002	1
19	Harness P19/Water Valve	9627-795-001	9627-795-001	9627-795-002	1
20	Harness P8/P16	9627-794-001	9627-794-001	9627-794-001	1
21	Harness P20/P21	9627-793-001	9627-793-001	9627-793-001	1
23	Bushing , Wire 7/8	9053-067-002	9053-067-002	9053-067-002	2
24	Standoff Twistlock	9527-002-002	9527-002-002	9527-002-002	3
25	Standoff Twistlock	9527-002-003	9527-002-003	9527-002-003	2
26	Dynamic Braking Resistor	9483-004-002	9483-004-002	9483-004-003	2
27	Screws #10-32x1/2" (pnhdcr)	9545-012-008	9545-012-008	9545-012-008	4
28	Nuts. #10-32 UNF 2B	8640-413-002	8640-413-002	8640-413-002	4
30	Screw #6-32x5/16"	9545-044-006	9545-044-006	9545-044-006	4
31	Nuts Hex #6-32	8640-411-003	8640-411-003	8640-411-003	4
32	Terminal Block Assy, POWER	9897-034-001	9897-034-001	9897-034-001	1
33	Screw, Mtg 8Bx3/8"	9545-045-007	9545-045-007	9545-045-007	2
34	Strip, Terminal Marker	9558-027-001	9558-027-001	9558-027-001	1
35	Switch, Pressure	9539491-001	9539-457-002	9539-457-003	1
36	Screw, Mtg #8Bx1/4"	9545-045-001	9545-045-001	9545-045-001	2
37	Harness P5/Pressure	9627-801-001	9627-801-001	9627-803-001	1
38	Transformer, (Step Down) 120/2.3 VAC&24 VAC 50/60hz	8711-009-001	8711-009-001	8711-009-001	1
39	Screw, Transformer Mtg #10Bx1/2"	9545-045-001	9545-045-001	9545-045-001	4
40	Lockwasher #6 exttooth	8641-582-005	8641-582-005	8641-582-005	4
47	Variable Frequency Drive	9375-015-010	9375-015-012	9375-014-009	1
48	Label Fuse 1.5 amp Rear	8502-716-001	8502-716-001	8502-716-001	1
--	Wiring Harness Power Terminal to VFD	9627-831-001			1.
--	Wiring Harness Power Terminal		9627-747-003	9627-747-003	1.
--	Plastic Shield Over Water Valve	9550-186-001	9550-186-001	9550-186-001	1
--	Jumper Wire	8220-117-002	8220-117-002	8220-117-007	2
48	Fuseholder	9200-001-002	9200-001-002	9200-001-002	1
48	Fuse 1.5 amp	8636-018-001	8636-018-001	8636-018-001	1
49	Data Cable between VFD & Main PCB	9806-015-001	9806-015-001	9806-015-001	1

# Parts Data



## Coin Handling Group Part # by Model

Key	Description	T-300	T-400	T-650	QTY
1	Vault, Assy	9942-033-001	9942-033-002	9942-033-003	1
1	Screw, 10Bx 1/2" Vault Mtg	9545-008-026	9545-008-026	9545-008-026	2
1	Screw, 10AB x 1/2" Vault Mtg	9545-008-031	9545-008-031	9545-008-031	2
2	Coin Chute Assy.	9119-031-001	9119-031-001	9119-031-001	1
2	Screw, Chute Mtg	9545-008-001	9545-008-001	9545-008-001	1
8	Kit, Coin Box W/Hardware (includes 3 thru 6)	9732-122-001	9732-122-001	9732-122-001	1
3	Latch, Coin Box	9349-033-001	9349-033-001	9349-033-001	1
4	Washer, Wave	8641-569-002	8641-569-002	8641-569-002	1
5	Washer, Keeper	8641-583-001	8641-583-001	8641-583-001	1
6	Washer, Spacer- Thick	8641-581-008	8641-581-008	8641-581-008	2
6	Washer, Spacer- Thin	8641-581-010	8641-581-010	8641-581-010	4
7	Lock, Coin Box (w/key not incl. with 9732-122-001)	8650-012-003	8650-012-003	8650-012-003	1
11	Coin Acceptor chute without penny rejector (standard)	9119-025-002	9119-025-002	9119-025-002	1
--	Screw, Acceptor Mtg	9545-020-004	9545-020-004	9545-020-004	4
--	Nut	8640-424-002	8640-424-002	8640-424-002	4
10	Switch, Coin (fits single coin drop)	9732-126-001	9732-126-001	9732-126-001	1
12	Coin Acceptor chute with penny rejector (optional)	9119-025-001	9119-025-001	9119-025-001	(opt)
13	Button Coin Return Retainer	9486-133-001	9486-133-001	9486-133-001	1
9	Coin Acceptor Complete	9021-001-010	9021-001-010	9021-001-010	1
--	Screws 4-40 x 3/8"	9545-020-004	9545-020-004	9545-020-004	4
--	Nuts 4-40 Elastic Stop	8640-424-002	8640-424-002	8640-424-002	4
NOTE: COIN BOX AND HARDWARE KIT AND COIN BOX LOCK NOT INCLUDED WITH MACHINE.					