

Drying Tumblers

30 Pound Capacity (31.5" Wide)

Refer to Page 4 for Model Numbers

Parts



Part No. M414056
January 2000

Table of Contents

Title	Page
Parts Ordering Information	3
Nameplate Location	3
Model Identification	4
MT Control Panel Assembly	6
MT Control Panel Assembly	8
CD Control Panel Assembly	10
CD Control Panel Assembly	12
CS Control Panel Assembly	14
Single Coin Meter	16
Dual Coin Meter	18
Coin Vault and Vault Guide Assembly	20
Meter Case	22
Accumulator	24
Control Thermostat, Door Switch, Transformer, Relay and Diode Logic Board	26
Loading Door Assembly	28
Door Switch for EU Models	30
Top and Front Panels	32
Lint Panel and Compartment	34
Cylinder and Trunnion Assemblies	36
Chain Drive Components	38
Belt Drive Components	40
Idler Housing Assembly	42
Fan and Motor Assembly	44
Airflow Switch and Vane Assembly	46
Cabinet High Limit Thermostat (EG), Chain Guard, Damper Vane and Junction Box	48
Burner Assembly for Standing Pilot Ignition	50
Gas Valve Components for Standing Pilot Ignition	52
Burner Assembly for Automatic Pilot Ignition	54
Vertical and Horizontal Ignition Systems	56
Gas Valve Components for Automatic Pilot Ignition	58
Burner Assembly for Glow-Bar Ignition	60
Gas Valve Components for Glow-Bar Ignition	62
Burner Assembly for Glow-Bar Ignition	64
Gas Valve Components for Glow-Bar Ignition	66
Burner Assembly for Instant Electronic Ignition	68

© Copyright 2000, Alliance Laundry Systems LLC

All rights reserved. No part of the contents of this book may be reproduced or transmitted in any form or by any means without the expressed written consent of the publisher.

Gas Valve Assembly for Dungs/B-M System	70
Channel/Johnson Gas System	72
Burner Assembly for Australian Models.....	74
Electric Heater Assembly.....	76
Electrical Contactor Box Assembly.....	78
Electrical Contactor Box Assembly.....	80
Steam Heater and Valve Assembly (Danfoss)	82
Solenoid Steam Valve Breakdown (Asco)	84
Warning Decals	86
Warning Decals	88
Contactora Box Assembly for Electric Manual Timer & Coin Drop Models.....	90
Contactora Box Assembly for Gas Manual Timer Models.....	92
Contactora Box Assembly for Electric MT & CD Models	94
Contactora Box Assembly for Steam Manual Timer Models	96
Contactora Box Assembly for Gas Coin Drop Models.....	98
Contactora Box Assembly for Steam Coin Drop Models	100
Contactora Box Assembly for Steam Manual Timer Models	102
Contactora Box Assembly for Electric Coin Drop and Manual Timer Models.....	104
Manual Dual Timer and Coin Meter Control Panels	106
Coin Meter and Drop Assemblies and Front Plates.....	107
Burner Orifice.....	108
Fan Motors.....	109
Motor Harnesses	109
EU Orifices – Input 30.7 kW	109
Wire Harness Table	110
Parts Index.....	113

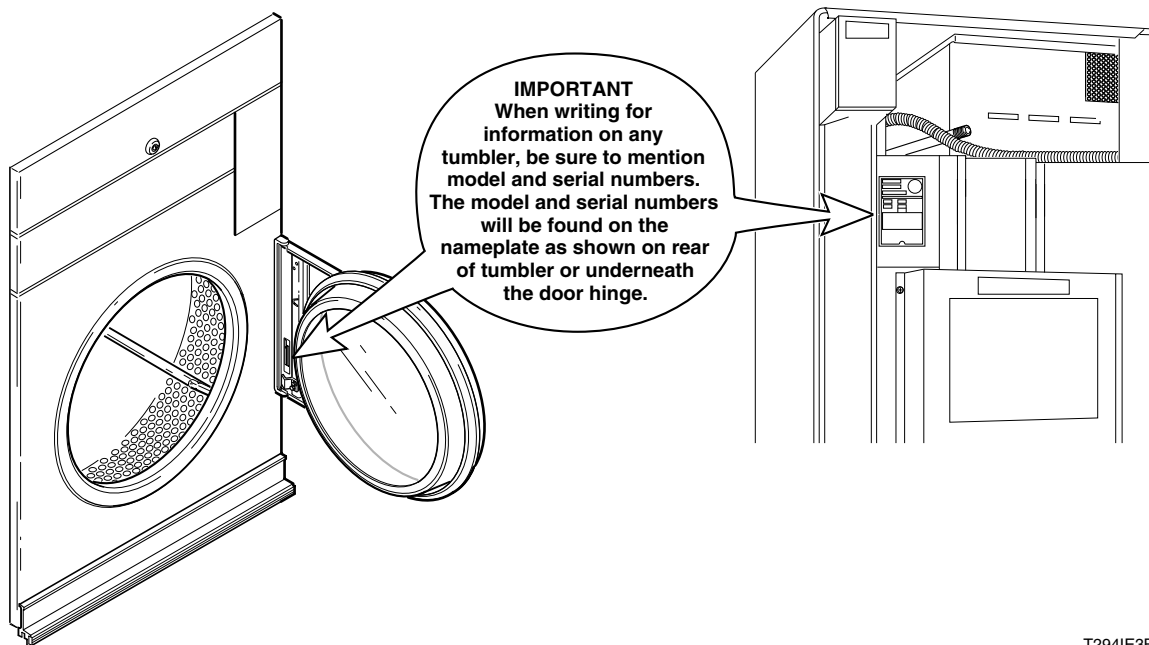
Parts Ordering Information

If literature or replacement parts are required, contact the source from whom the machine was purchased or contact Alliance Laundry Systems at (920) 748-3950 for the name and address of the nearest authorized parts distributor.

For technical assistance, call (920) 748-3121.

Nameplate Location

When calling or writing about your product, be sure to mention model and serial numbers. Model and serial numbers are located on nameplate(s) as shown.



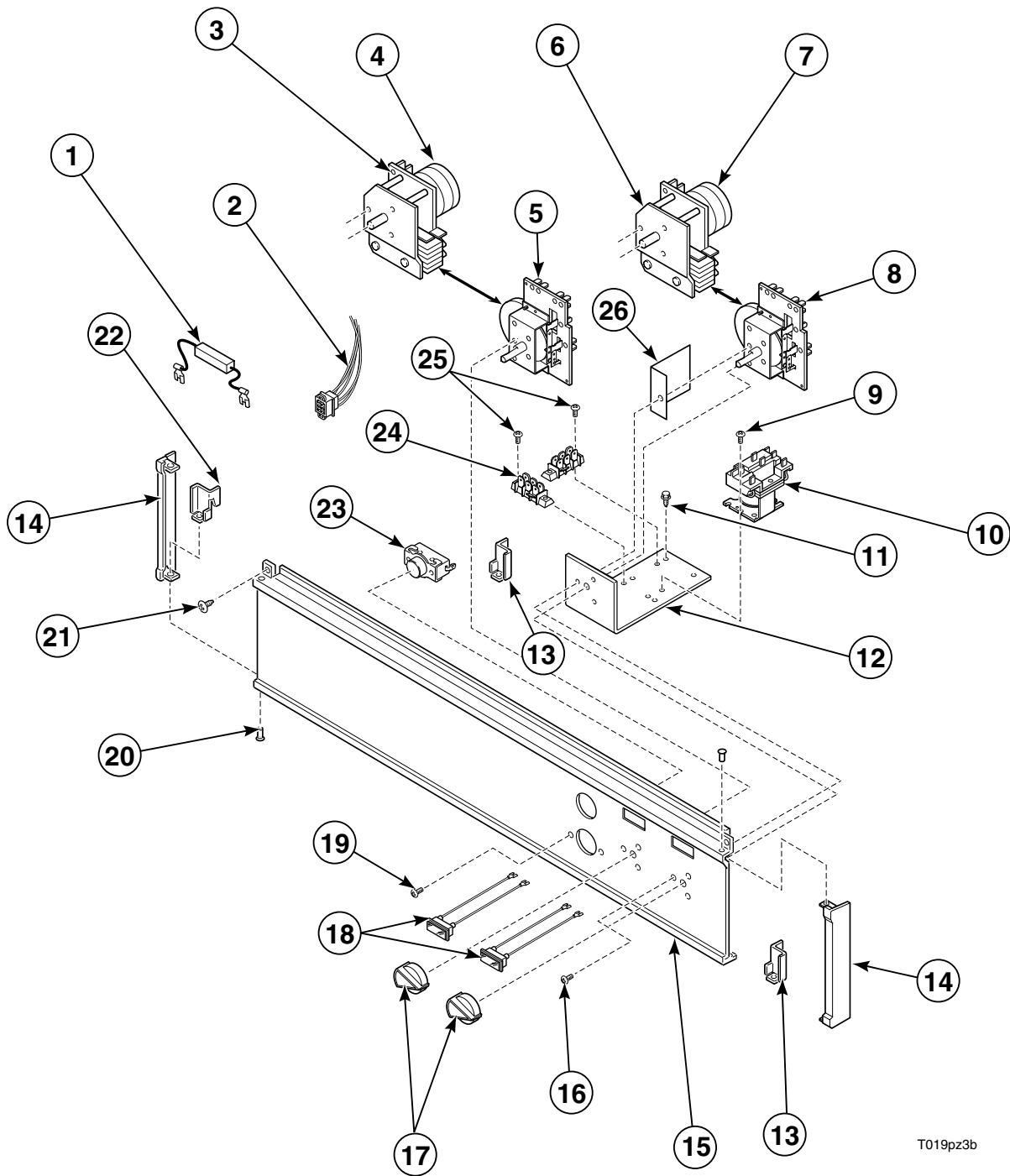
Model Identification

Information in this manual is applicable to these tumbler models:

DCB30CG	DCB30CE	DCB30CSH	DCB30CSL	DT30EG
DTB30CG	DTB30CE	DTB30CSH	DTB30CSL	JT30EG
JCB30CG	JCB30CE	JCB30CSH	JCB30CSL	ST30EG
JTB30CG	JTB30CE	JTB30CSH	JTB30CSL	DT30EGI
SCB30CG	SCB30CE	SCB30CSH	SCB30CSL	JT30EGI
STB30CG	STB30CE	STB30CSH	STB30CSL	ST30EGI
DT30CG	DT30CE	DT30CSH	DT30CSL	
JT30CG	JT30CE	JT30CSH	JT30CSL	
ST30CG	ST30CE	ST30CSH	ST30CSL	
DT30CGI				
JT30CGI				
ST30CGI				

MT Control Panel Assembly

Manual Timer Models



T019pz3b

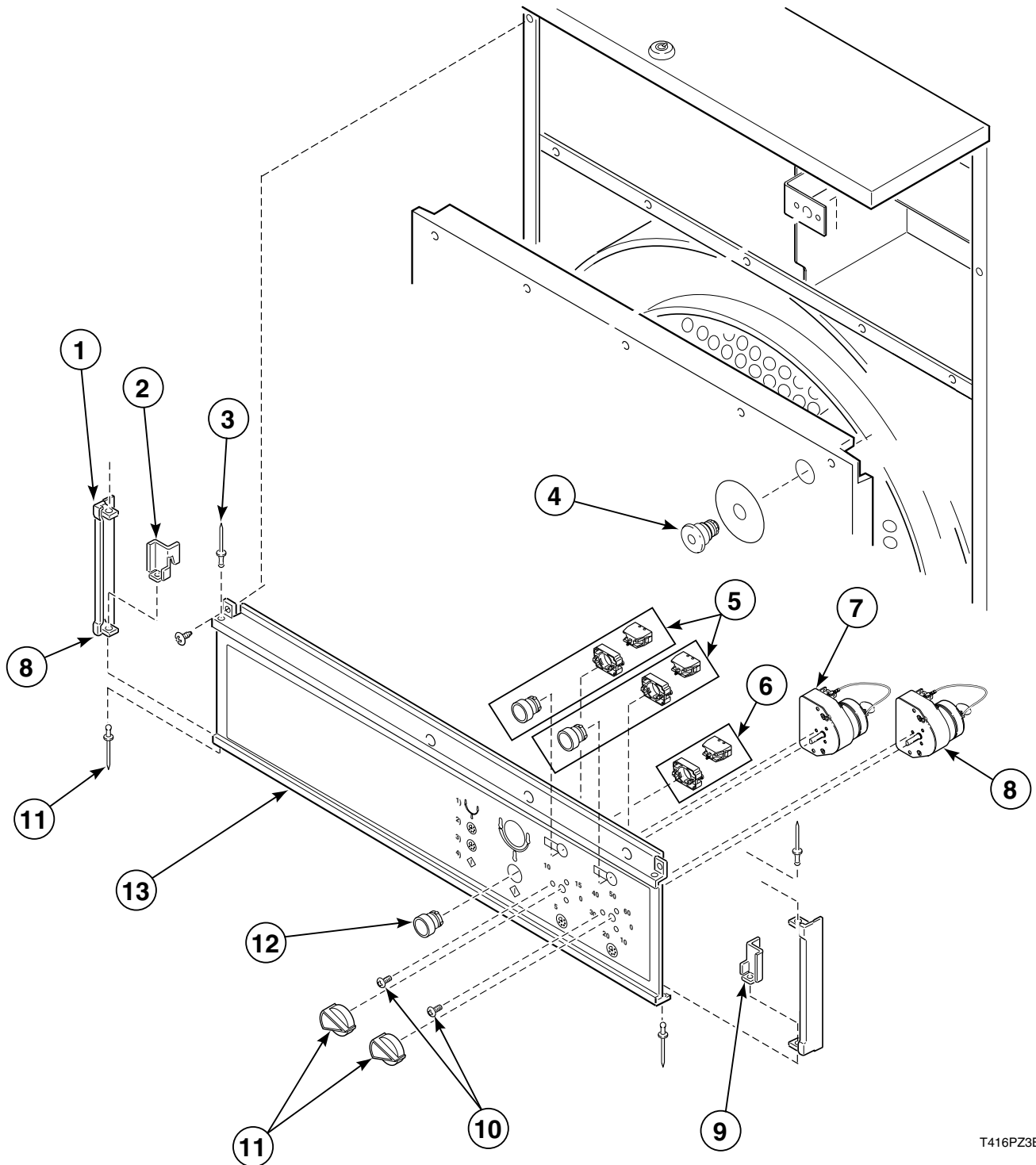
MT Control Panel Assembly

Manual Timer Models

REF	PART #	DESCRIPTION	COMMENTS
1	M400527	Resistor	208/240 Volt Electric Models Only (2 Required)
2	M403924	Wire Harness	Refer to Table on page 110
3	M400785	Timer, Cool-Down	Greenwald
4	M400793	Motor, Timer	Greenwald
5	M410900P	Timer, Cool-Down	Mallory
6	M400787	Timer, Drying - 30 Minute	Greenwald
	M400791P	Timer, Drying - 60 Minute	Greenwald
7	M400794	Motor, Timer - 30 Minute	Greenwald
	M400609	Motor, Timer - 60 Minute	Greenwald
8	M410901P	Timer, Drying - 60 Minutes	Mallory
9	51780	Screw, Phillips Head	
10	M400912	Relay	Gas Models
	M400911	Relay	Electric Models
11	M402917	Ground Screw, Hex Head	
12	M401318	Bracket	
13	M401302	Retainer (Right)	Included with Control Panel Assembly
14	M401328	End Cap	Included with Control Panel Assembly
15		Control Panel	Refer to Table on page 106
16	M411052	Screw, Phillips Head	
17	M400773	Knob	All Models Except JT/JC
	M410927	Knob	JT/JC Models
18	M400703	Light, Signal	Gas Models
	M400704	Light, Signal	Electric Models
19	M400072	Screw, Phillips Head	
20	M405750	Pop Rivet	Included with Control Panel Assembly
21	33562	Screw	
22	M401301	Retainer (Left)	Included with Control Panel Assembly
23	M400954	Switch, Push-to-Start	
24	M400000	Terminal Block	
25	M400071	Screw, Phillips Head	
26	M406144	Barrier	

MT Control Panel Assembly

Manual Timer EU Models



T416PZ3B

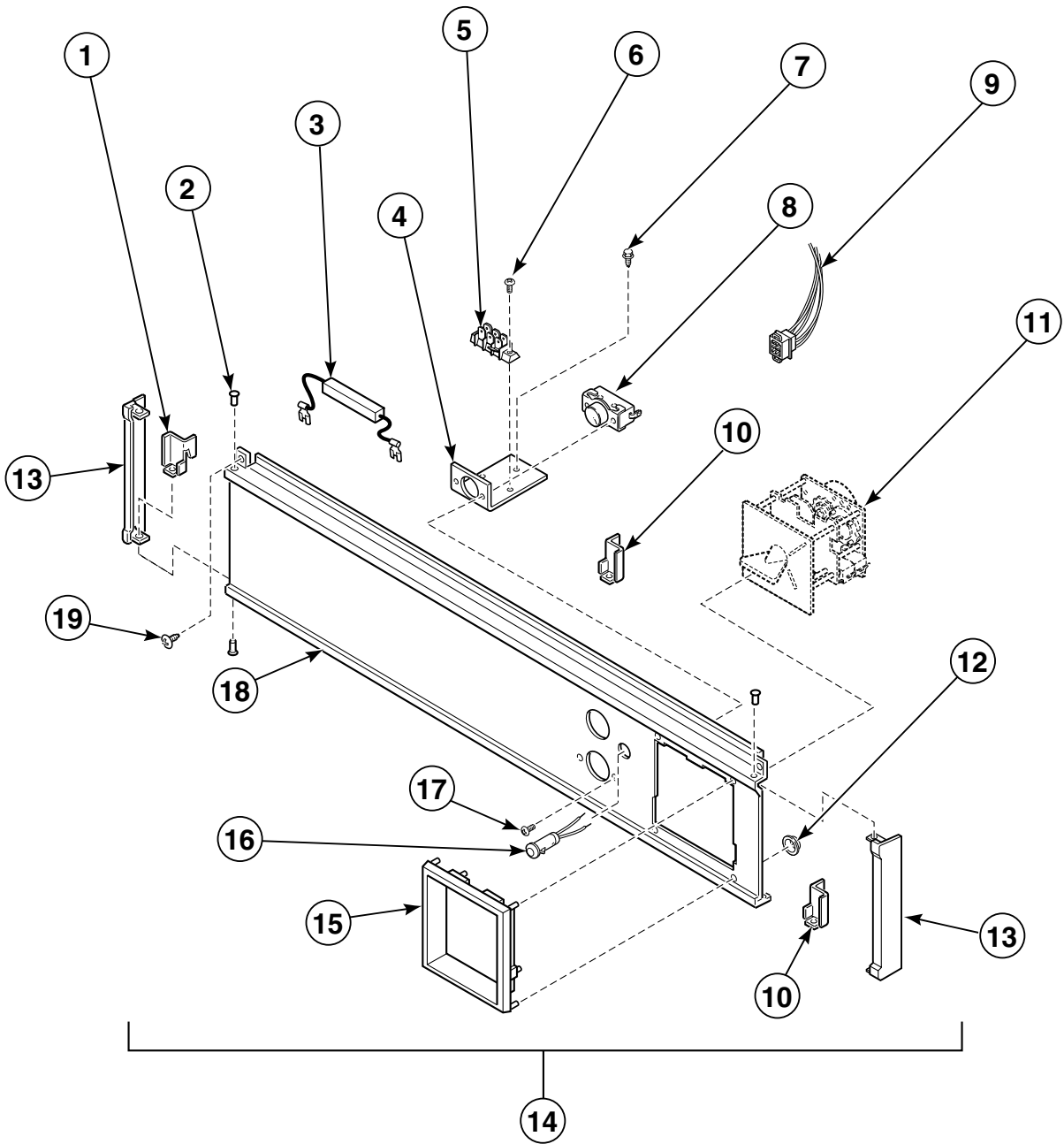
MT Control Panel Assembly

Manual Timer EU Models

REF	PART #	DESCRIPTION	COMMENTS
1	M401328	Cap, End	
2	M401301	Retainer, Left	
3	M405750	Rivet, Pop	
4	M412232	Switch, Emergency Stop	
5	M412234	Light, Indicator	
6	M412230	Switch, Push-to-Start	
7	M412080	Timer, Drying - 24 Volt	60 Minute
8	M412079	Timer, Cooling - 24 Volt	15 Minute
9	M401302	Retainer, Right and Center	
10	M411052	Screw	
11	M400773	Knob, Timer	All SCB And DCB Models
	M410927	Knob, Timer	All JCB Models
12	M412233	Button, Switch - Push-to-Start	
13	M414202	Control Panel with End Caps	SCB Models
	M414206	Control Panel with End Caps	JCB Models
	M413318	Control Panel with End Caps	DCB Models
13	M400945	Switch, Reverse/Nonreverse	All Reversing Models
REF	M412231	Button, Emergency Stop	

CD Control Panel Assembly

Coin Meter Models



T020PZ3E

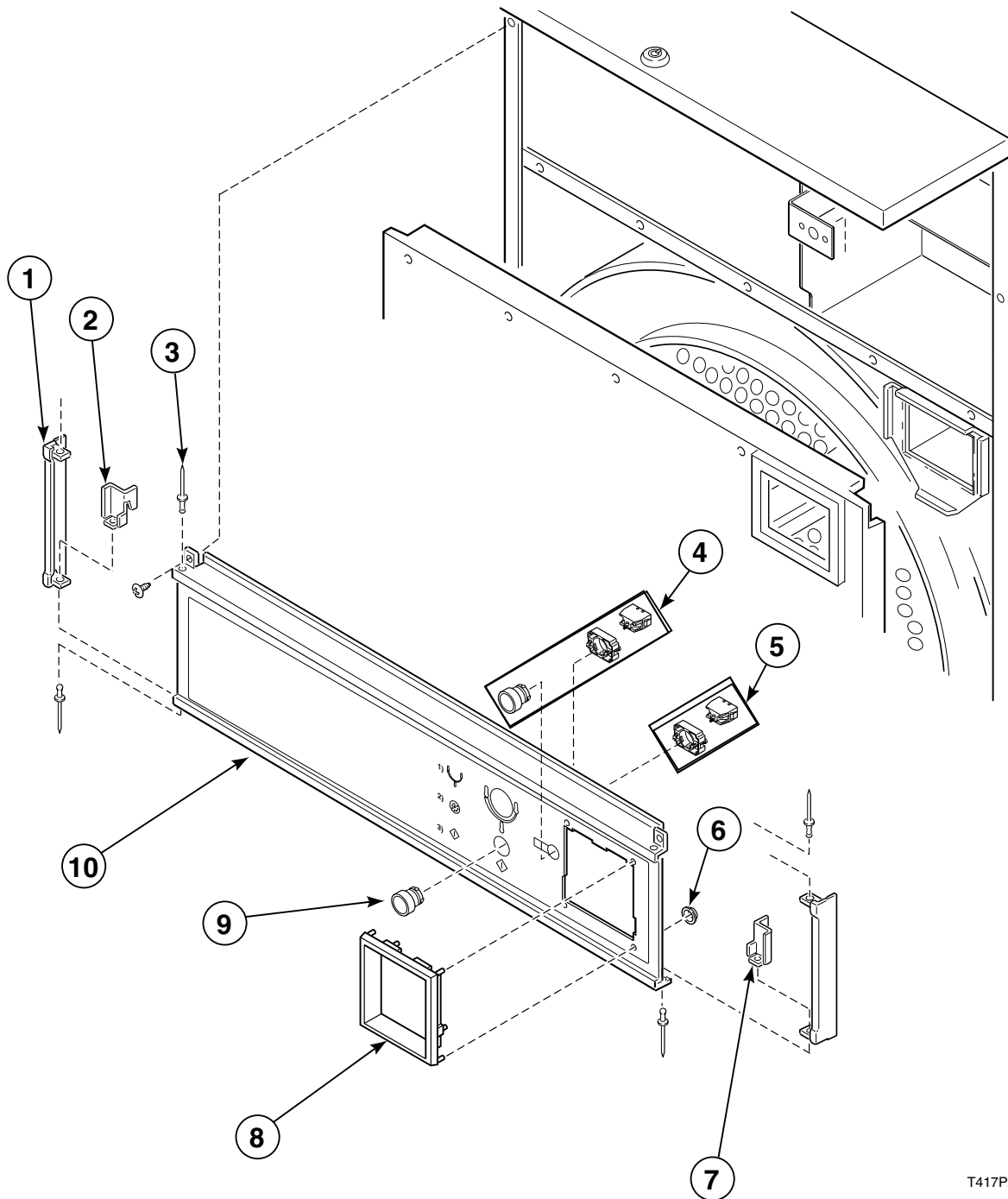
CD Control Panel Assembly

Coin Meter Models

REF	PART #	DESCRIPTION	COMMENTS
1	M401301	Retainer (Left)	Included with Control Panel Assembly
2	M405750	Pop Rivet	Included with Control Panel Assembly
3	M400527	Resistor - 2 Required	208-240 Volt Electric Models Only
4	M400341	Bracket	
5	M400000	Terminal Block	
6	M400071	Screw, Phillips Head	
7	M402917	Ground Screw, Hex Head	
8	M400954	Switch, Push-to-Start	
9	M403924	Wire Harness	
10	M401302	Retainer (Right and Center)	Included with Control Panel Assembly
11		Coin Meter	Refer to Table on page 107
12	M400672	Speed Nut	
13	M401328	End Cap	Included with Control Panel Assembly
14		Control Panel Assembly	Refer to Table on page 106
15	M403414	Meter Frame	
16	M404151	Run Light	
17	M400072	Screw, Phillips Head	
18		Control Panel	Refer to Table on page 106
19	33562	Screw	
REF	M412234	Indicator Light	Not Shown; DC, JC, & SC Models
REF	M400777	Temperature Knob	Not Shown; DC & SC Models
REF	M410928	Temperature Knob	Not Shown; JC Models
REF	M412230	Push-to-Start Switch	Not Shown; DC, JC, & SC Models
REF	M412233	Button, Push-to-Start	Not Shown; DC, JC, & SC Models

CD Control Panel Assembly

Rotary Coin Drop EU Models



T417PZ3B

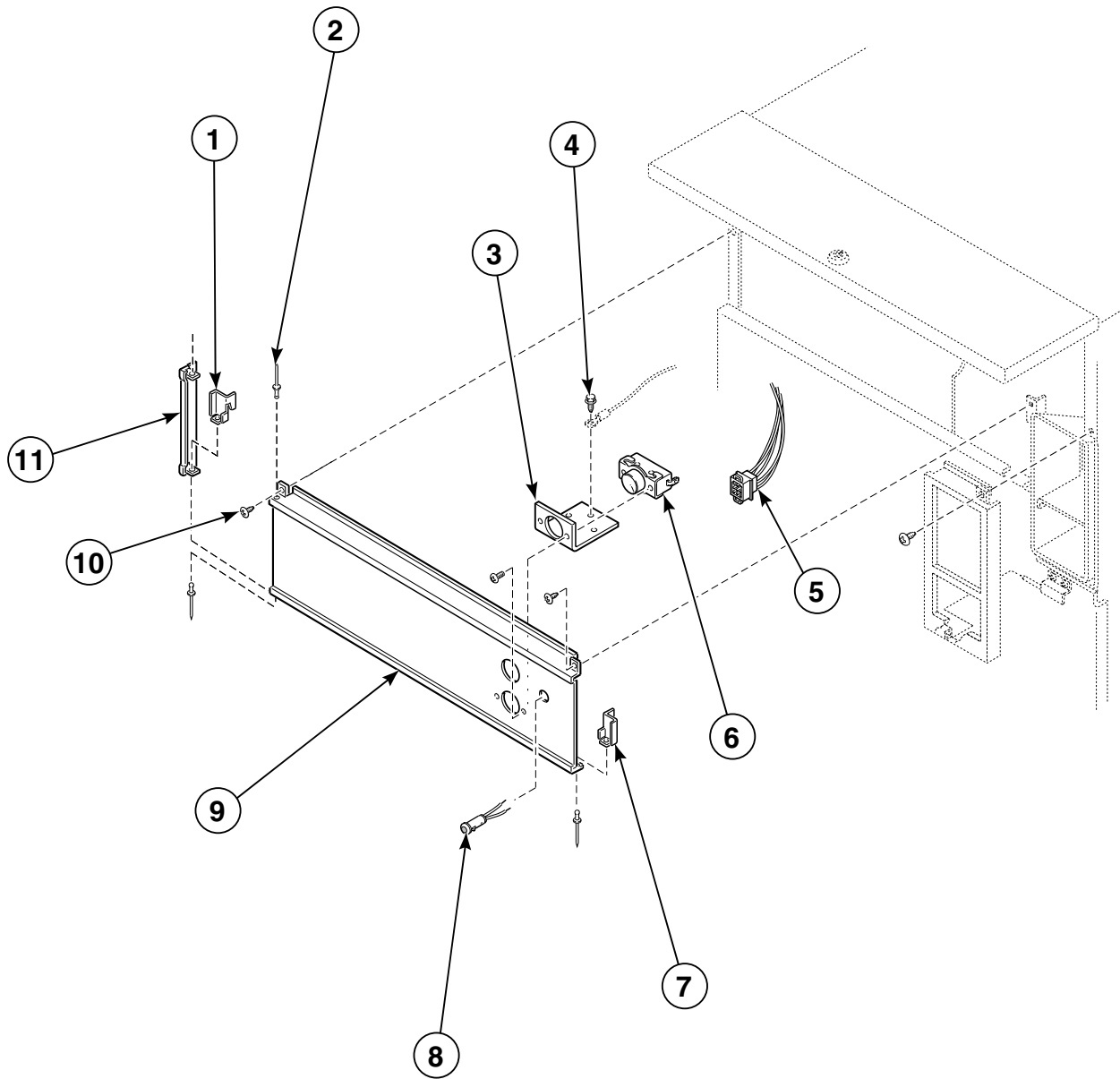
CD Control Panel Assembly

Rotary Coin Drop EU Models

REF	PART NO	DESCRIPTION	COMMENTS
1	M401328	Cap, End	Included with Control Panel
2	M401301	Retainer, Left	Included with Control Panel
3	M405750	Rivet, Pop	Included with Control Panel
4	M412234	Light, Indicator	
5	M412230	Switch, Push-to-Start	
6	M400672	Nut, Retainer	
7	M401302	Retainer, Right and Center	Included with Control Panel
8	M403414	Frame, Coindrop	
9	M412233	Button, Switch - Push-to-Start	
10	M414196	Control Panel with End Caps	SCB Models
	M414199	Control Panel with End Caps	JCB Models

CS Control Panel Assembly

Coin Slide Models



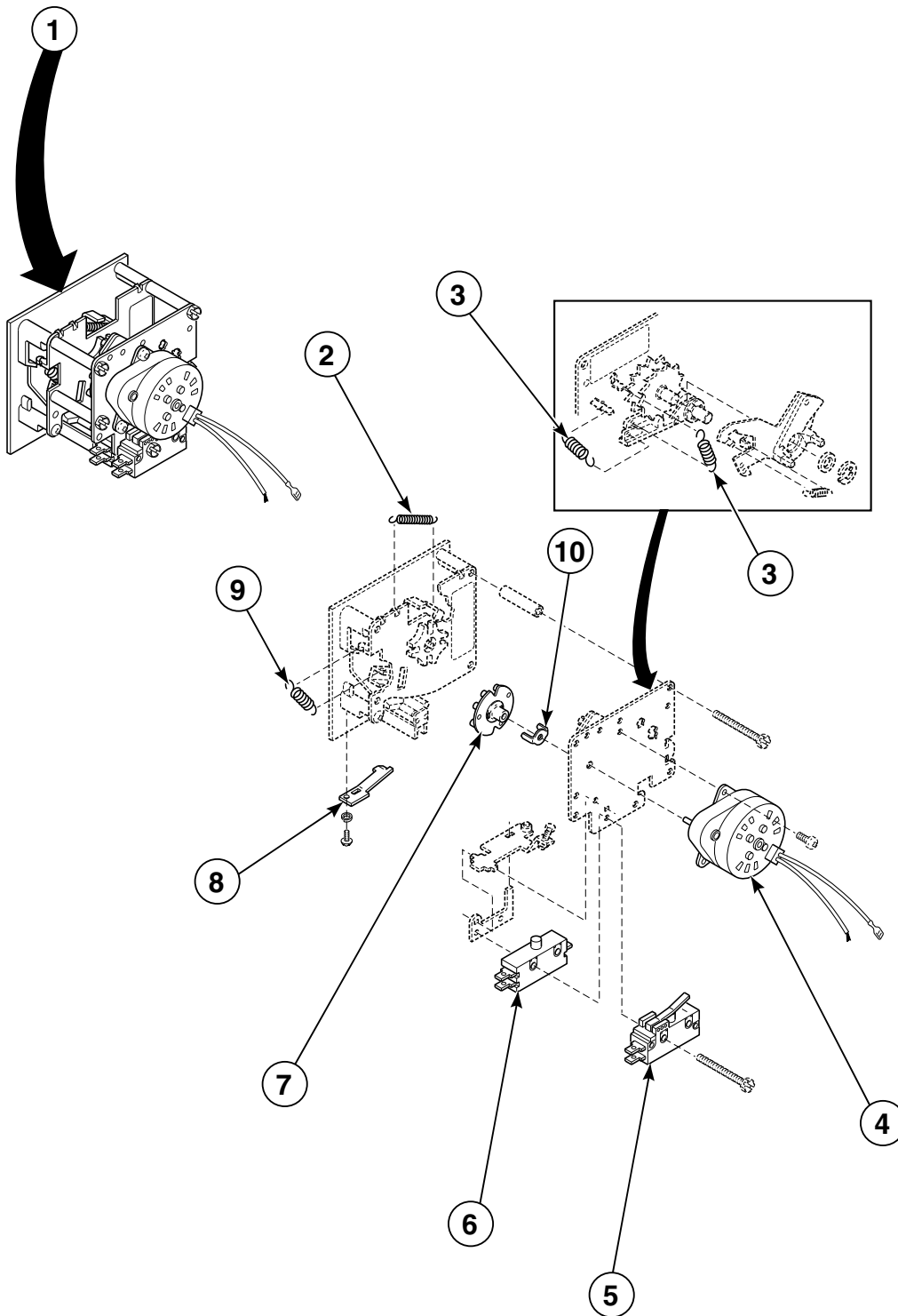
T021PZ3B

CS Control Panel Assembly

Coin Slide Models

REF	PART #	DESCRIPTION	COMMENTS
1	M401301	Retainer (Left)	Included with Control Panel
2	M405750	Pop Rivet	Included with Control Panel
3	M400341	Bracket	
4	M402917	Ground Screw, Hex Head	
5	M405896	Wire Harness	Refer to Table on page 110
6	M400954	Switch, Push-to-Start	
7	M401302	Retainer (Right)	Included with Control Panel
8	M404151	Run Light	
9		Control Panel	Refer to Table on page 106
10	33562	Screw	
11	M401328	End Cap	Included with Control Panel

Single Coin Meter

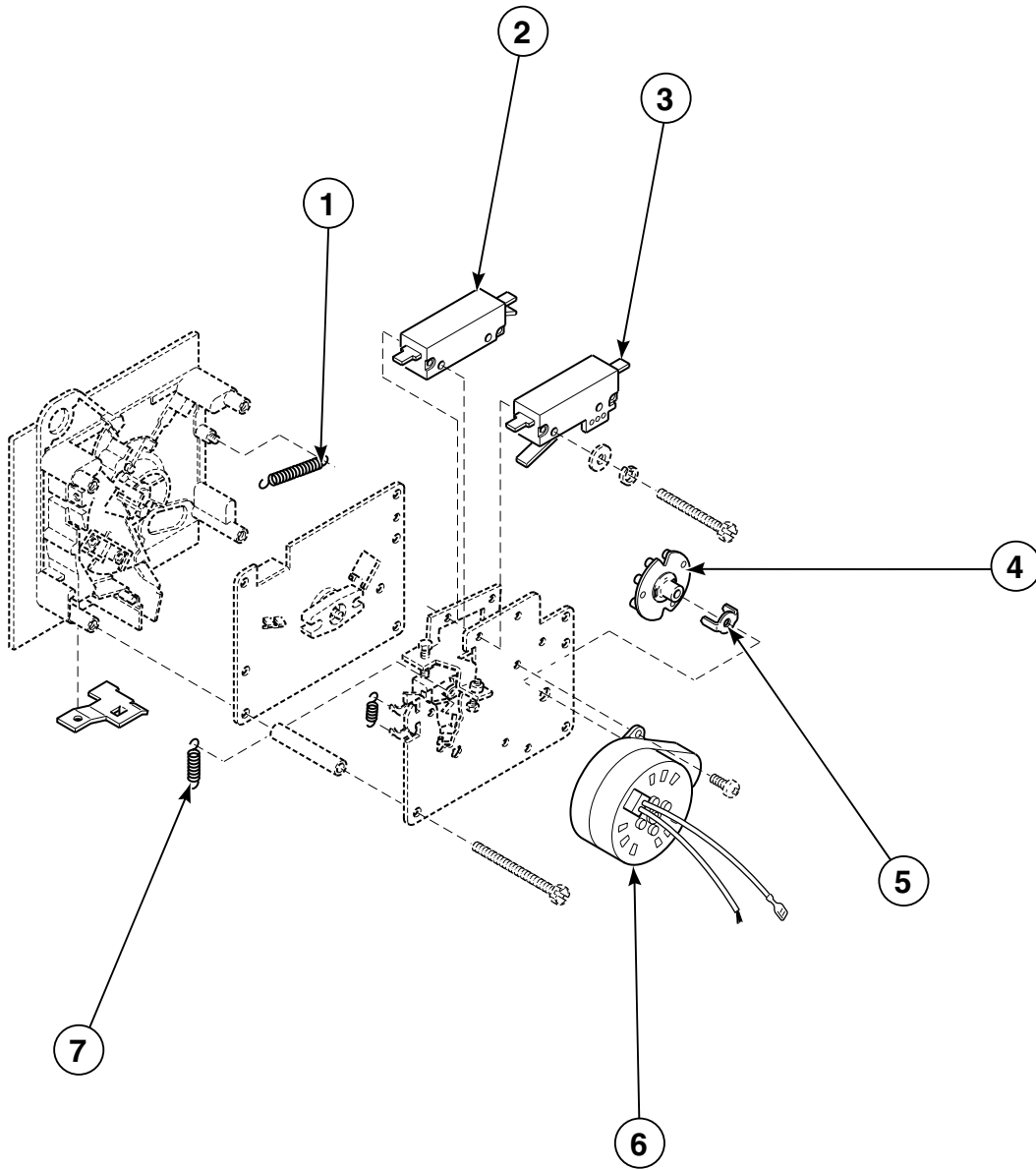


T022PZ3F

Single Coin Meter

REF	PART #	DESCRIPTION	COMMENTS
1		Single Coin Meter \$.25	Refer to Table on page 107
2	M405138A	Return Spring	
3	M402455	Spring	
4	M400609	Timer Motor	
5	M400947	Heat Switch "B"	
6	M400001	Run Switch "A"	
7	M400734P	2 Pin Cam, 30 Minutes	Includes M400754 Fork
	M400735P	3 Pin Cam, 20 Minutes	Includes M400754 Fork
	M400736P	4 Pin Cam, 15 Minutes	Includes M400754 Fork
	M400737P	5 Pin Cam, 12 Minutes	Includes M400754 Fork
	M400738P	6 Pin Cam, 10 Minutes	Includes M400754 Fork
	M400739P	7 Pin Cam, 8.5 Minutes	Includes M400754 Fork
	M400740P	8 Pin Cam, 7.5 Minutes	Includes M400754 Fork
	M400741P	9 Pin Cam, 6.6 Minutes	Includes M400754 Fork
	M400732P	10 Pin Cam, 6 Minutes	Includes M400754 Fork
	M400733P	12 Pin Cam, 5 Minutes	Includes M400754 Fork
8	M406297	Retainer Spring	Does not Include Screw
9	M405138A	Coin Carrier Spring	
	M405138B	Coin Carrier Spring	For Coin Meters with Two Springs
10	M400754	Drive Fork	

Dual Coin Meter

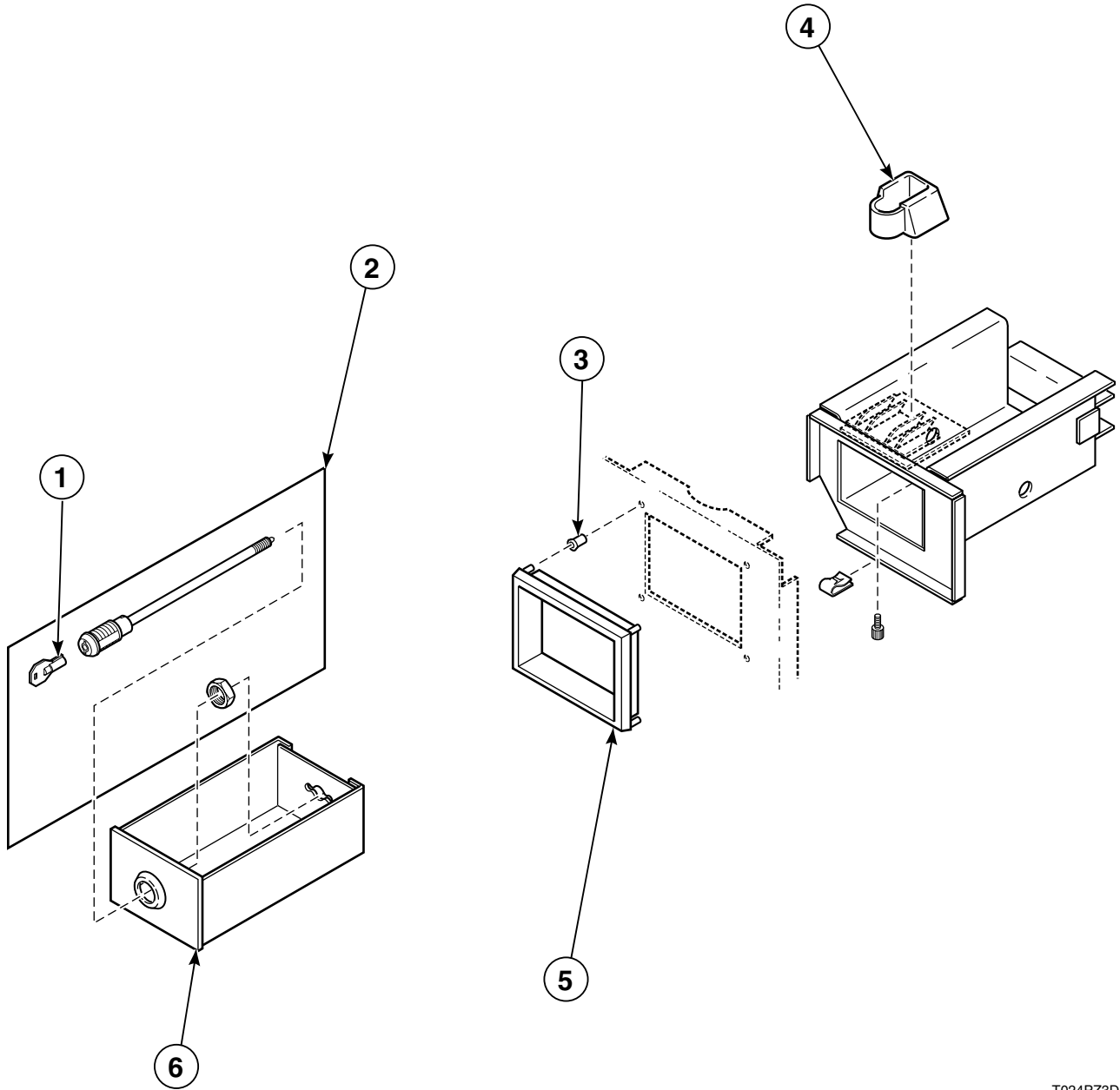


T023PZ3C

Dual Coin Meter

REF	PART #	DESCRIPTION	COMMENTS
1	M400746	Return Spring	
2	M400001	Run Switch "A"	
3	M400947	Heat Switch "B"	
4	M400734P	2 Pin Cam, 30 Minutes	Includes M400754 Fork
	M400735P	3 Pin Cam, 20 Minutes	Includes M400754 Fork
	M400736P	4 Pin Cam, 15 Minutes	Includes M400754 Fork
	M400737P	5 Pin Cam, 12 Minutes	Includes M400754 Fork
	M400738P	6 Pin Cam, 10 Minutes	Includes M400754 Fork
	M400739P	7 Pin Cam, 8.5 Minutes	Includes M400754 Fork
	M400740P	8 Pin Cam, 7.5 Minutes	Includes M400754 Fork
	M400741P	9 Pin Cam, 6.6 Minutes	Includes M400754 Fork
	M400732P	10 Pin Cam, 6 Minutes	Includes M400754 Fork
	M400733P	12 Pin Cam, 5 Minutes	Includes M400754 Fork
5	M400754	Drive Fork	
6	M400609	Timer Motor	
7	M400731	Index Lever Spring	
REF		Dual Coin Meter	Not Available as an Assembly. Order M405138 Single Coin Meter Assembly

Coin Vault and Vault Guide Assembly



T024PZ3D

Coin Vault and Vault Guide Assembly

REF	PART #	DESCRIPTION	COMMENTS
1		Key	Order by Key Code from Price List (M401701-M401790)
2		Vault Lock and Key Assembly	Order by Key Code from Price List (M401581-M401640)
3	M400972	Clip, Barrel	
4	M411882	Coin Chute	
5	M400131P	Vault Frame	Includes M400972 Barrel Clip
6	M402582*	Coin Drawer	

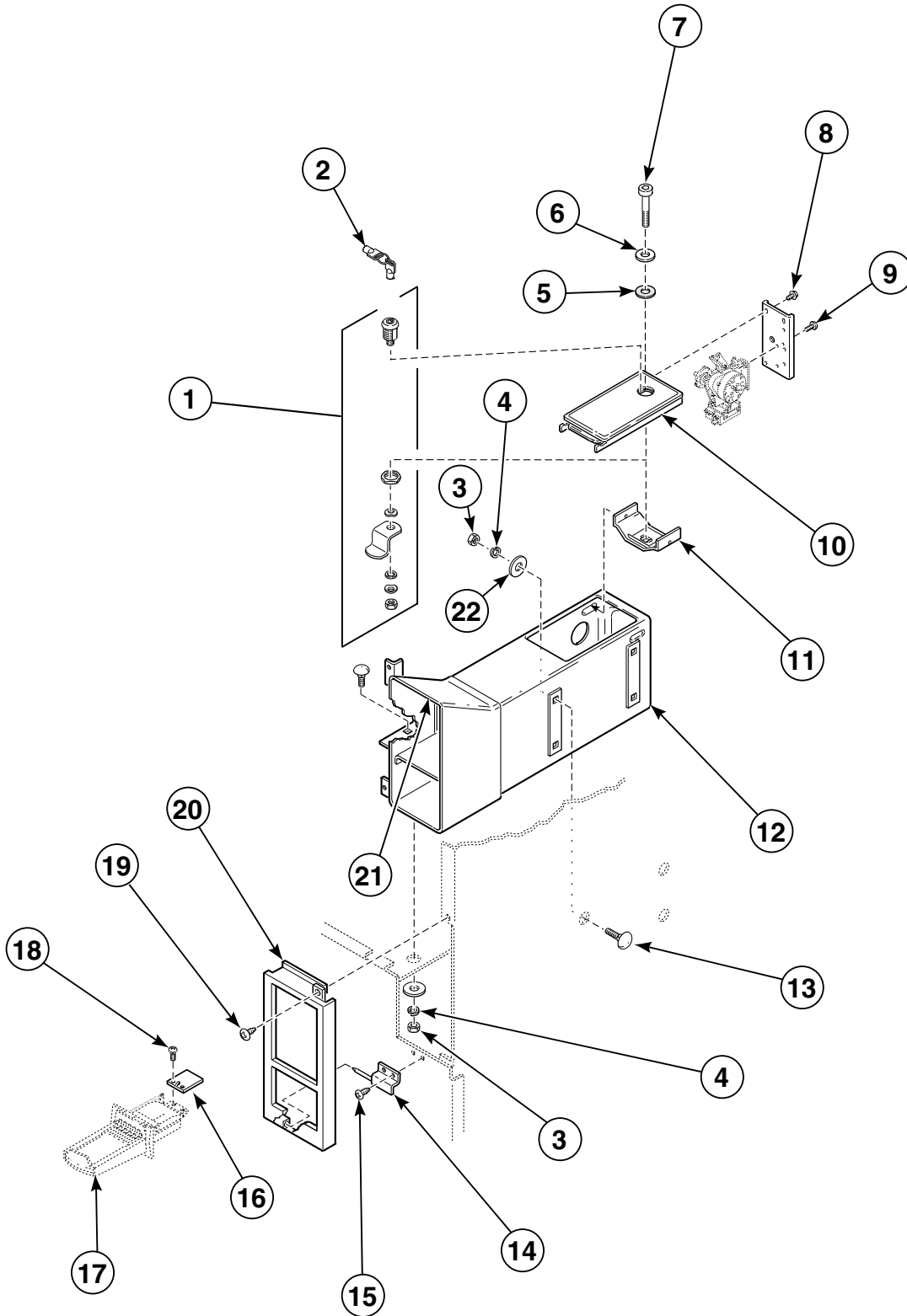
* Add letter to designate color.

V – Orange
 K – Red
 L – Almond
 W – White

B – Battina Green
 H – Harvest Gold
 X – Electric Blue
 P – Turquoise

Meter Case

Coin Slide (CS) Models



T025PZ3B

Meter Case

Coin Slide (CS) Models

REF	PART #	DESCRIPTION	COMMENTS
1	27260	Lock, Service Door	Service Part Only, Not Supplied with Meter Case
2	54612	Key, Service Door	Service Part Only, Not Supplied with Meter Case
3	20274	Nut	
4	M400014	Lockwasher	
5	35774	Washer	
6	35917	Washer	
7	503673	Screw	
8	52909	Screw, Hex Head	
9	03203	Screw, Phillips Head	
10	35798*	Service Door	
11	30642	Bracket, Locking	
12	M410807*	Meter Case Assembly	
13	M402945	Bolt	
14	M405931	Hinge	
15	51780	Screw, Phillips Head	
16	61031	Slide Extension	
17		Coin Slide	Obtain Locally
18	03950	Screw and Lockwasher	
19	33562	Screw	
20	M405884	Escutcheon	
21	M403333	Mirror	
22	20279	Flat Washer	

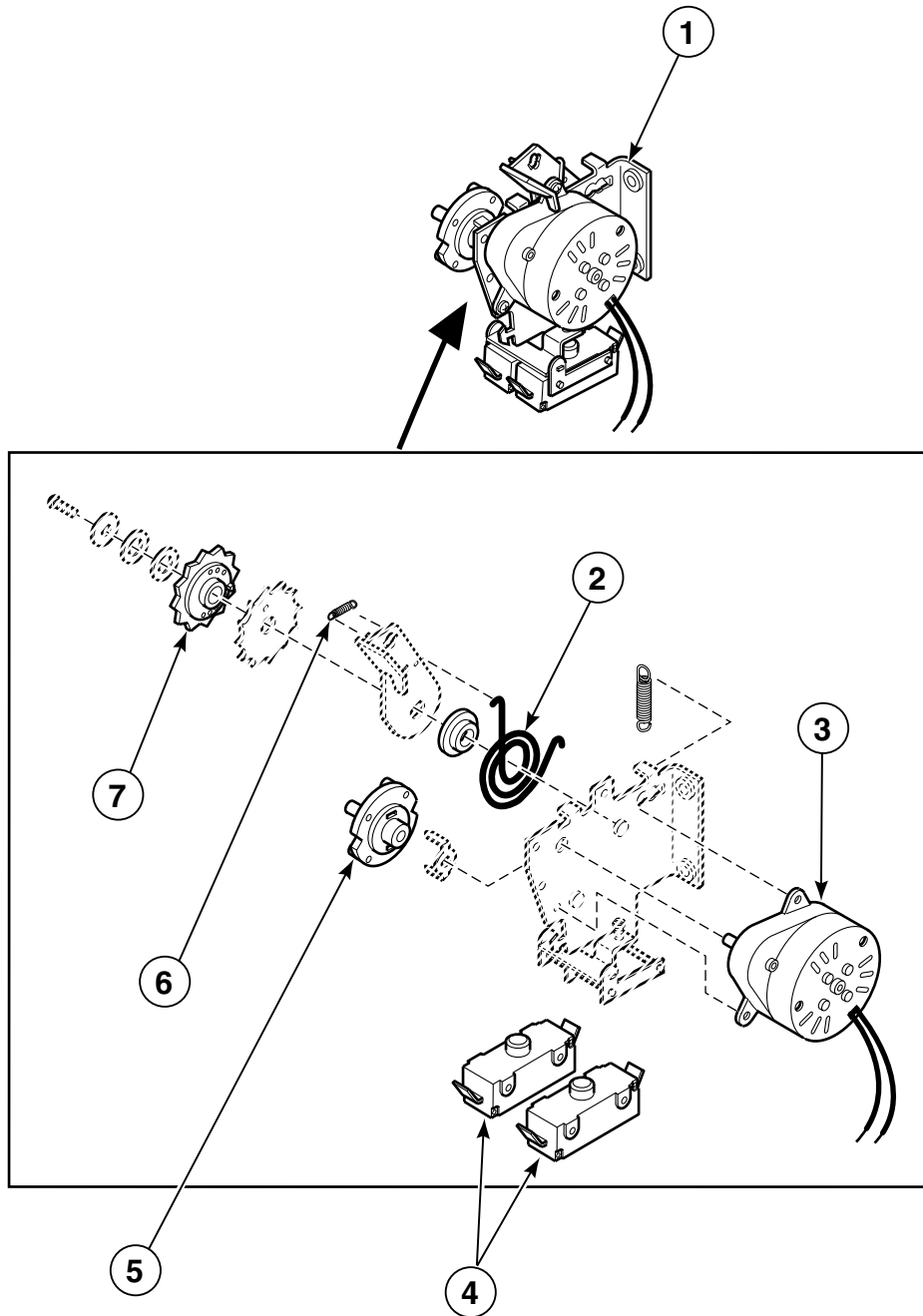
* Add letter to designate color.

V – Orange
K – Red
L – Almond
W – White

B – Battina Green
H – Harvest Gold
X – Electric Blue
P – Turquoise

Accumulator

Coin Slide (CS) Models



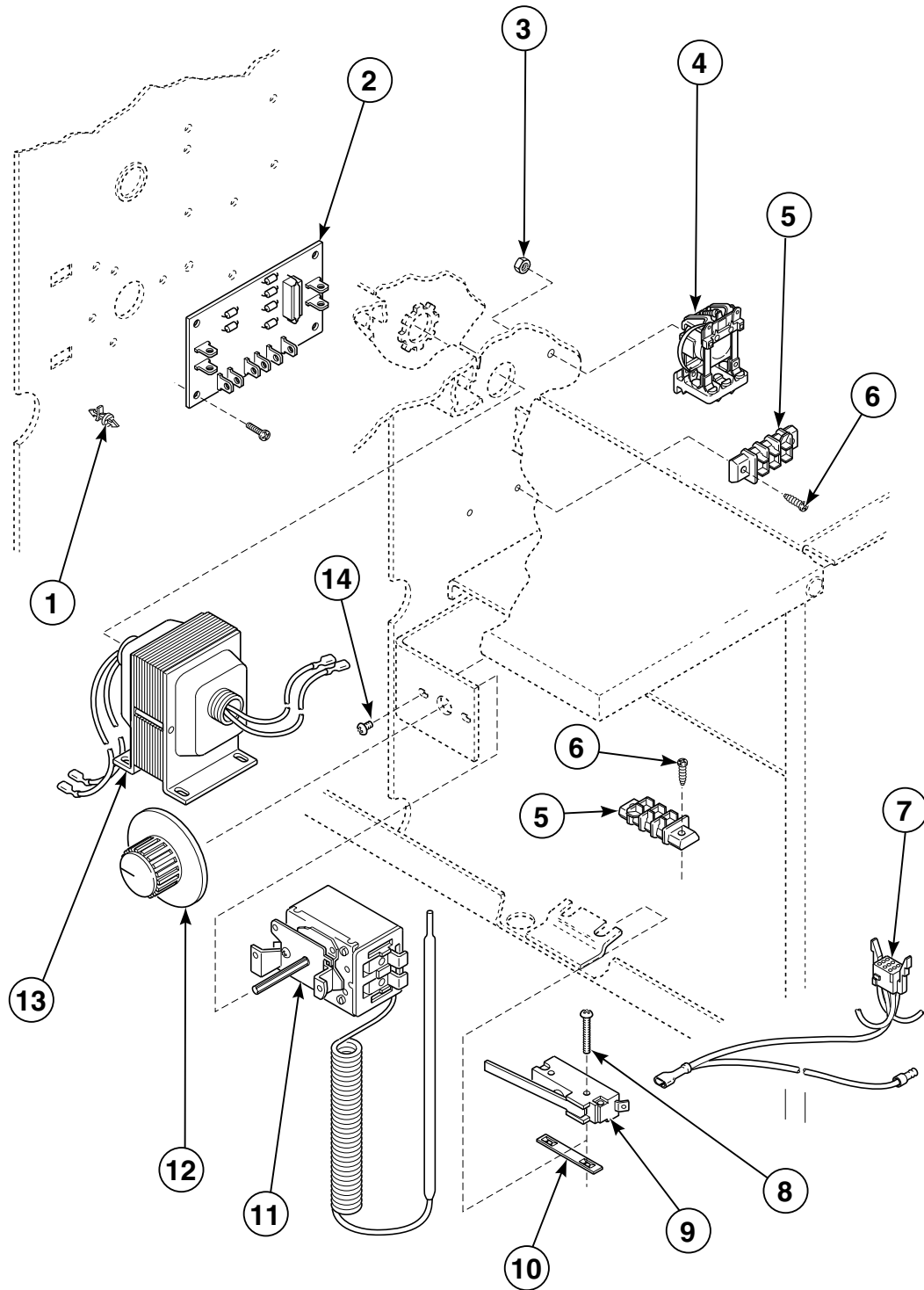
T299PZ3A

Accumulator

Coin Slide (CS) Models

REF	PART #	DESCRIPTION	COMMENTS
1	M403422	Accumulator	
2	53261	Return Spring	
3	M400609	Timer Motor	
4	53236	Switch	
5	53240	Cam, Timing - 3 Pin	
	53241	Cam, Timing - 4 Pin	
	M400239	Cam, Timing - 5 Pin	
	53242	Cam, Timing - 6 Pin	
	53243	Cam, Timing - 9 Pin	
6	53244	Pawl Spring	
7	53239	Ratchet Wheel	
REF	M403425	Wiring Harness	Not Shown

Control Thermostat, Door Switch, Transformer, Relay and Diode Logic Board

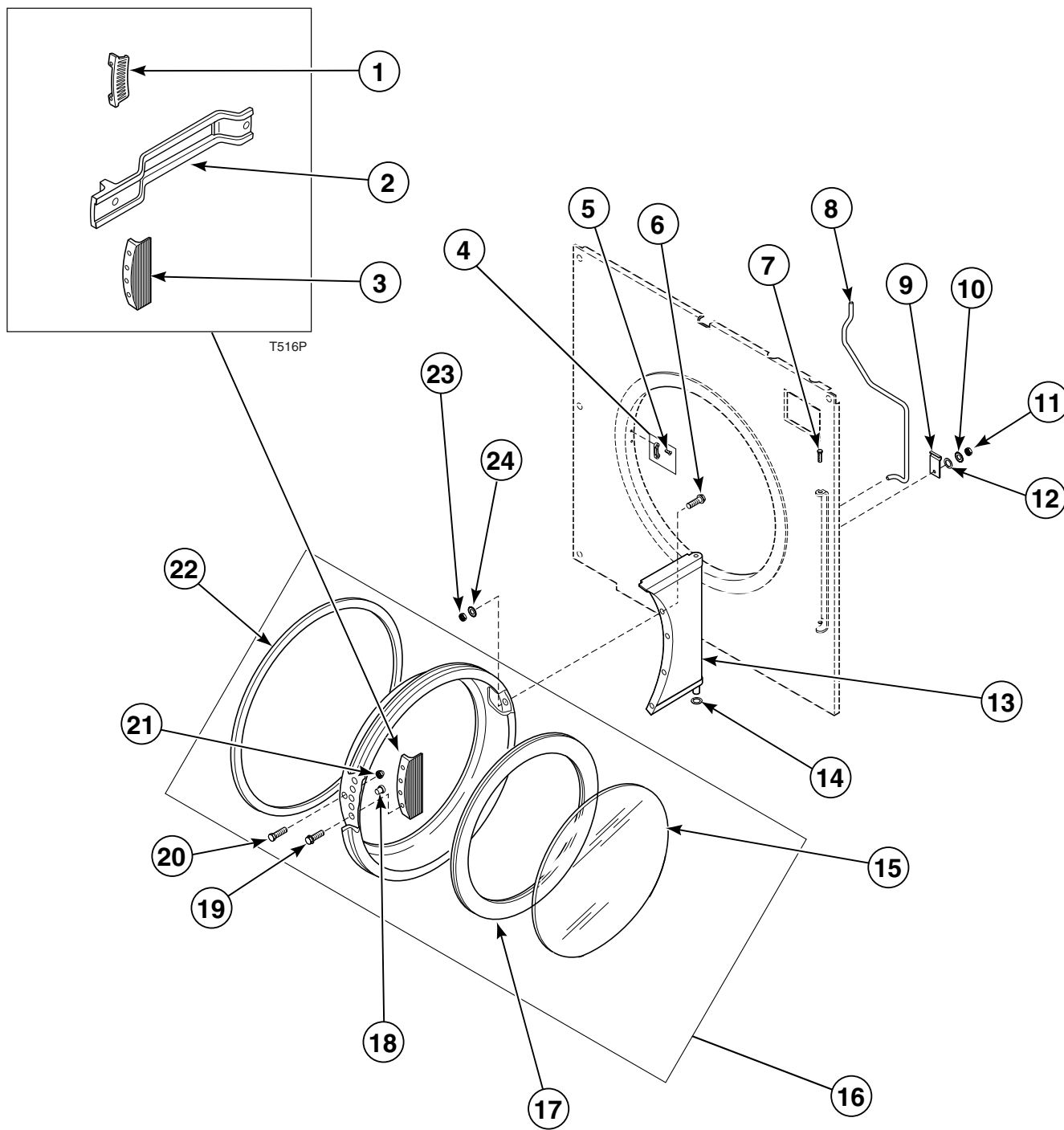


T027PZ3F

Control Thermostat, Door Switch, Transformer, Relay and Diode Logic Board

REF	PART #	DESCRIPTION	COMMENTS
1	M405979	Circuit Board Support	Gas Models with White Rodgers Glow Bar Ignition
2	M405897	Diode Logic Board	Gas Models with White Rodgers Glow Bar Ignition
3	02788	Nut	Gas Models with Johnson Controls Glow Bar Ignition
4	M402779	Relay	Gas Models with Johnson Controls Glow Bar Ignition
5	M400000	Terminal Block	Gas Models with Johnson Controls Glow Bar Ignition
6	M400072	Screw	Gas Models with Johnson Controls Glow Bar Ignition
7		Wire Harness	Refer to Table on page 110
8	Q6516	Screw	
9	M400952	Door Switch	
10	M400981	Twin Speed Nut	
11	M401251	Thermostat	
12	M400777	Knob	
13	M401199	Transformer - 120 Volt	Gas Models Equipped with Automatic Pilot Ignition
	M402649	Transformer - 208 Volt	Gas Models Equipped with Automatic Pilot Ignition
	M402650	Transformer - 240 Volt	Gas Models Equipped with Automatic Pilot Ignition
14	M400071	Screw	

Loading Door Assembly



T218pz3d

Loading Door Assembly

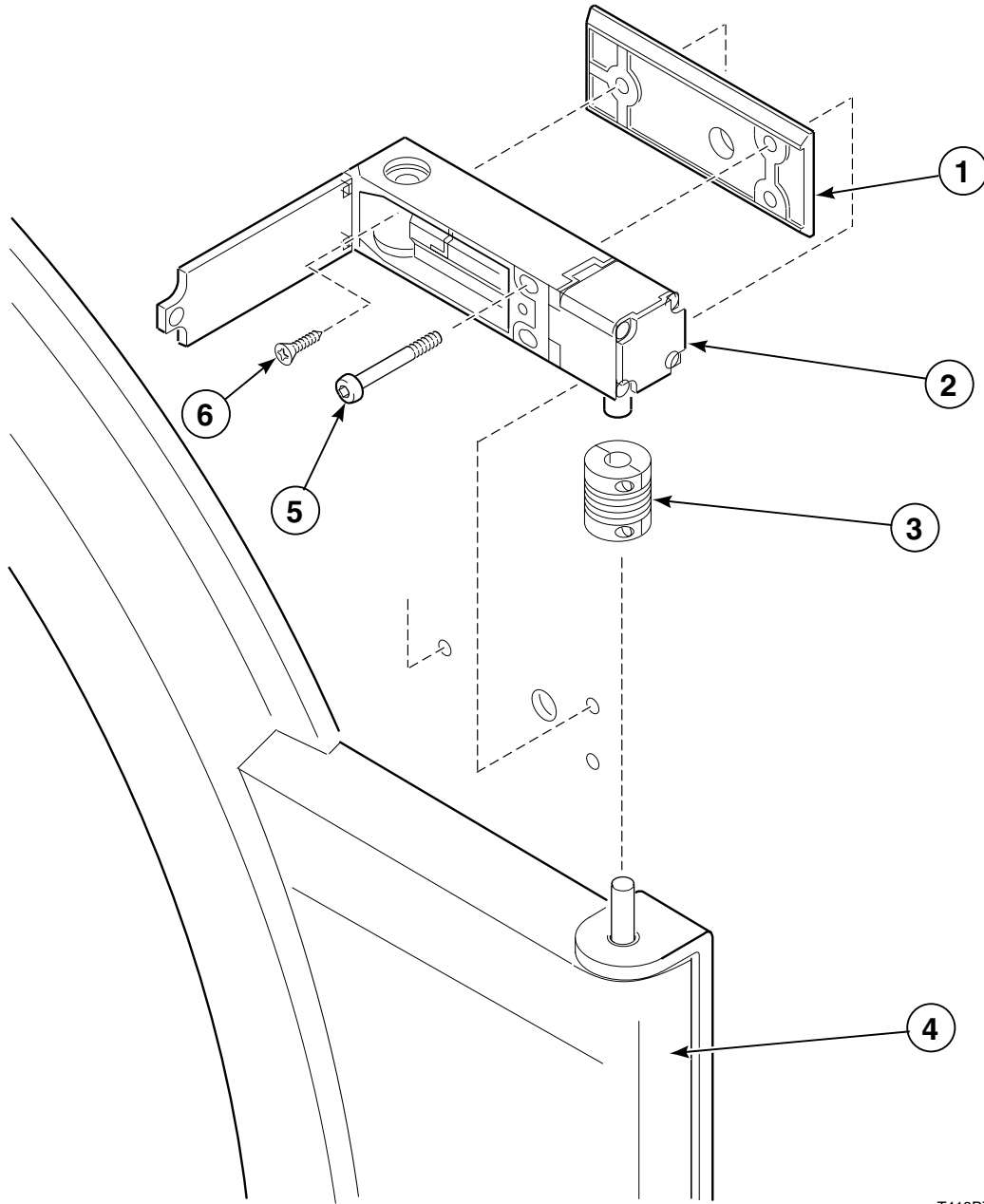
REF	PART #	DESCRIPTION	COMMENTS
1	M400133	Door Handle	
2	430117	Door Handle	DT, DC, SC & ST Models
3	70133501	Door Handle	JC & JT Models
4	M401223	Door Latch	
5	M405750	Rivet	
6	M400044	Screw, Phillips Head	
7	M400653	Hinge Bolt	
8	M401181	Switch Rod	
9	M400402	Spring Clip	
10	M400017	Lockwasher	
11	20275	Nut, Hex	
12	03189	Flat Washer	
13	M400512*	Hinge	Plain
	M400514	Hinge	Stainless Steel
	M402714*	Hinge	Textured
	M412382*	Hinge	DC, JC, & SC Models
14	M400675	Nylon Washer	
15	M400784P	Door Glass	
	70133601P	Door Glass	JC Models, Models Starting with Serial No. 9205015887
16	430475	Door Assembly	DC, DT, SC & ST Models (430117 Handle)
	M410887	Door Assembly	JC & JT Models, Models Starting with Serial No. 9205015887 (70133501 Handle)
	M400447	Door Assembly	DC, JC, & SC Models (M400133 Handle)
17	M400962	Glass Seal	
18	430649	Door Ring Plug	
19	M409385	Screw, Phillips Head	
20	M400661	Strike	
21	M400645	Acorn Nut	
22	M406129	Door Gasket	
23	Q6163	Nut	
24	03815	Lockwasher	

* Add letter to designate color.

V – Orange
K – Red
L – Almond
W – White

B – Battina Green
H – Harvest Gold
X – Electric Blue
P – Turquoise

Door Switch for EU Models



T418PZ3D

Door Switch for EU Models

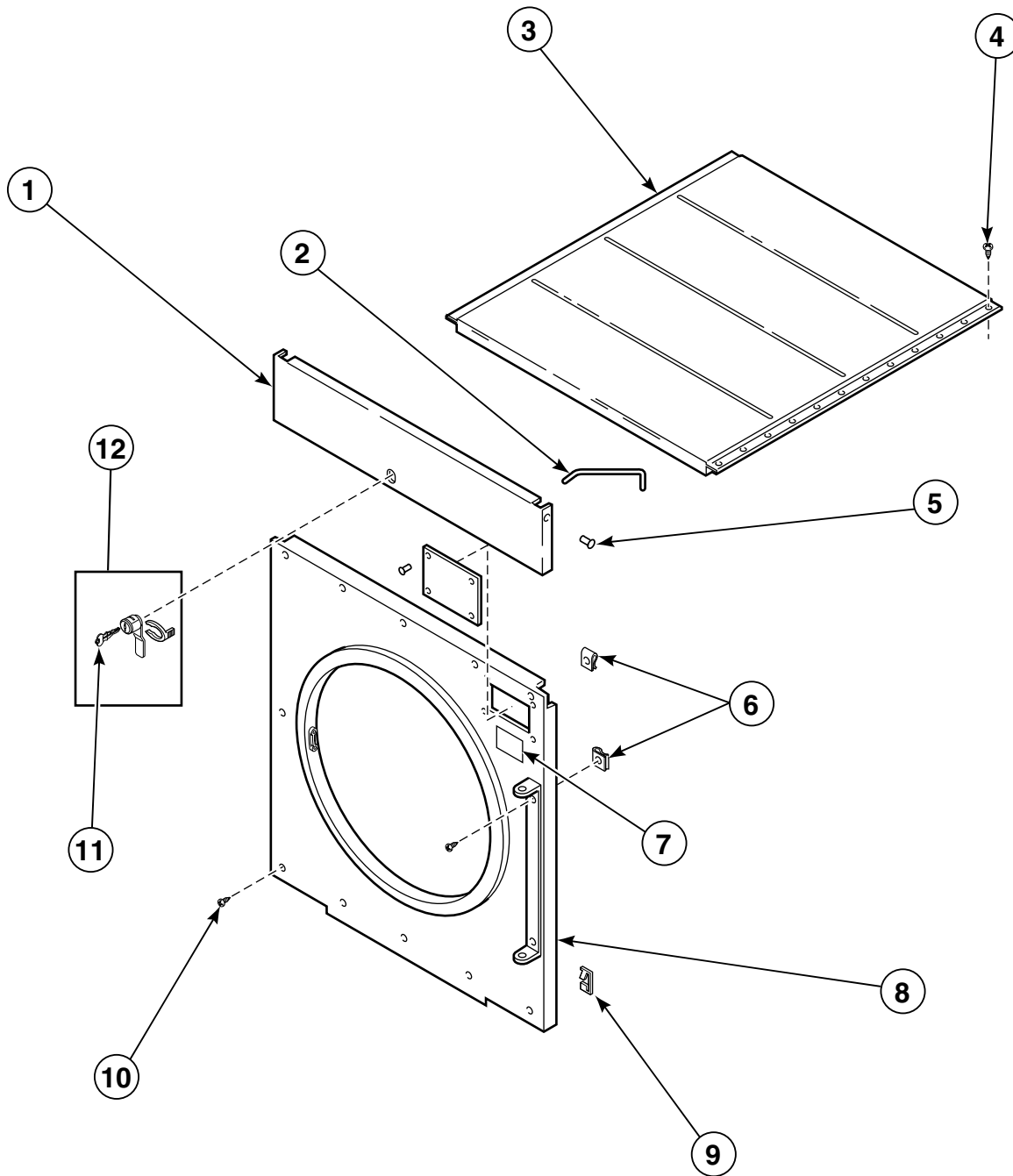
REF	PART #	DESCRIPTION	COMMENTS
1	M412528	Base, Door Switch	
2	M412372	Switch, Door Safety	
3	M412551	Coupler, Flexible	
4	M412378*	Hinge, Door	
5	M412532	Screw	
6	M412531	Screw	

* Add letter to designate color.

V – Orange
K – Red
L – Almond
W – White

B – Battina Green
H – Harvest Gold
X – Electric Blue
P – Turquoise

Top and Front Panels



T029PZ3F

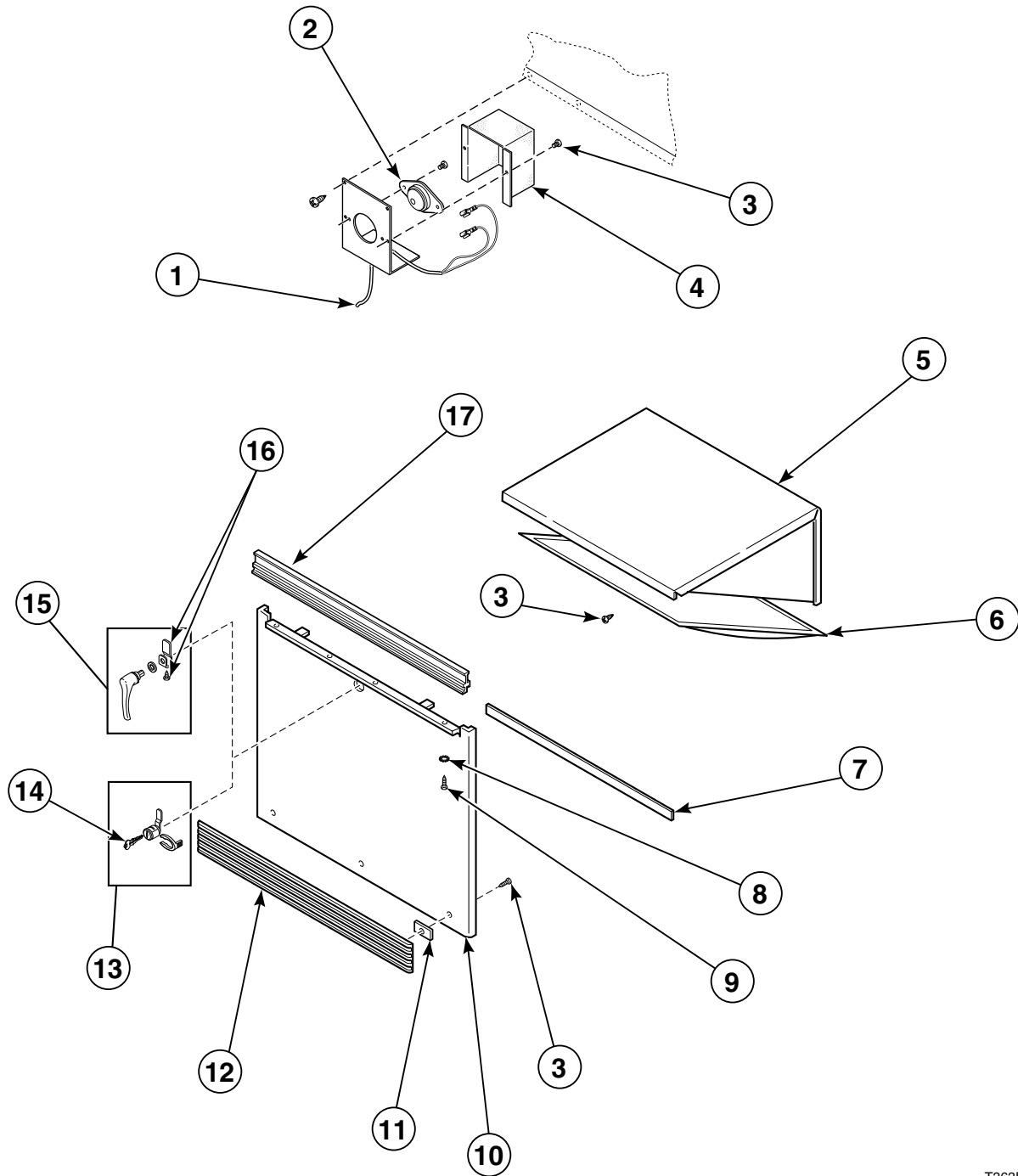
Top and Front Panels

REF	PART #	DESCRIPTION	COMMENTS
1	M401313*	Top Access Panel-Plain	
	M401315	Top Access Panel-Stainless Steel	
	M405889*	Top Access Panel-Textured	All DC, JC, and SC Models Except Standard Gas
	M413633*	Top Access Panel	DC, JC, and SC Standard Gas Models
2	M400604	Support Rod	
3	M401306	Top Cover	
4	430497	Screw	
5	M400713	Rivet	
6	M400975	Clip	
7	M410892	Warning Sticker	
8	M410746*P	Front Panel - Plain	All Models Except Coin Slide
	M410756P	Front Panel - Stainless Steel	All Models Except Coin Slide
	M410878*P	Front Panel - Textured	Coin Drop Models
	M410879*P	Front Panel - Textured	Coin Slide Models
	M412786*	Front Panel	DC, JC, & SC Manual Timer Models
	M411121	Front Panel - Stainless Steel	Manual Timer Models Starting with Serial No. 9205015887
	M411124P	Front Panel - Stainless Steel	Manual Timer Models Starting with Serial No. 9205015887
	M411128*P	Front Panel	Manual Timer Models Starting with Serial No. 9205015887
	M410751*	Front Panel	Coin Slide Models Starting with Serial No. 9205015887
	M410743*	Front Panel	Coin Drop Models Starting with Serial No. 9205015887
9	M400984	Clip	
10	M401902	Screw, Phillips Head	
11	M401680	Key	
12	M404101	Lock and Key Assembly	

* Add letter to designate color.

V – Orange	B – Battina Green
K – Red	H – Harvest Gold
L – Almond	X – Electric Blue
W – White	P – Turquoise

Lint Panel and Compartment



T363PZ3A

Lint Panel and Compartment

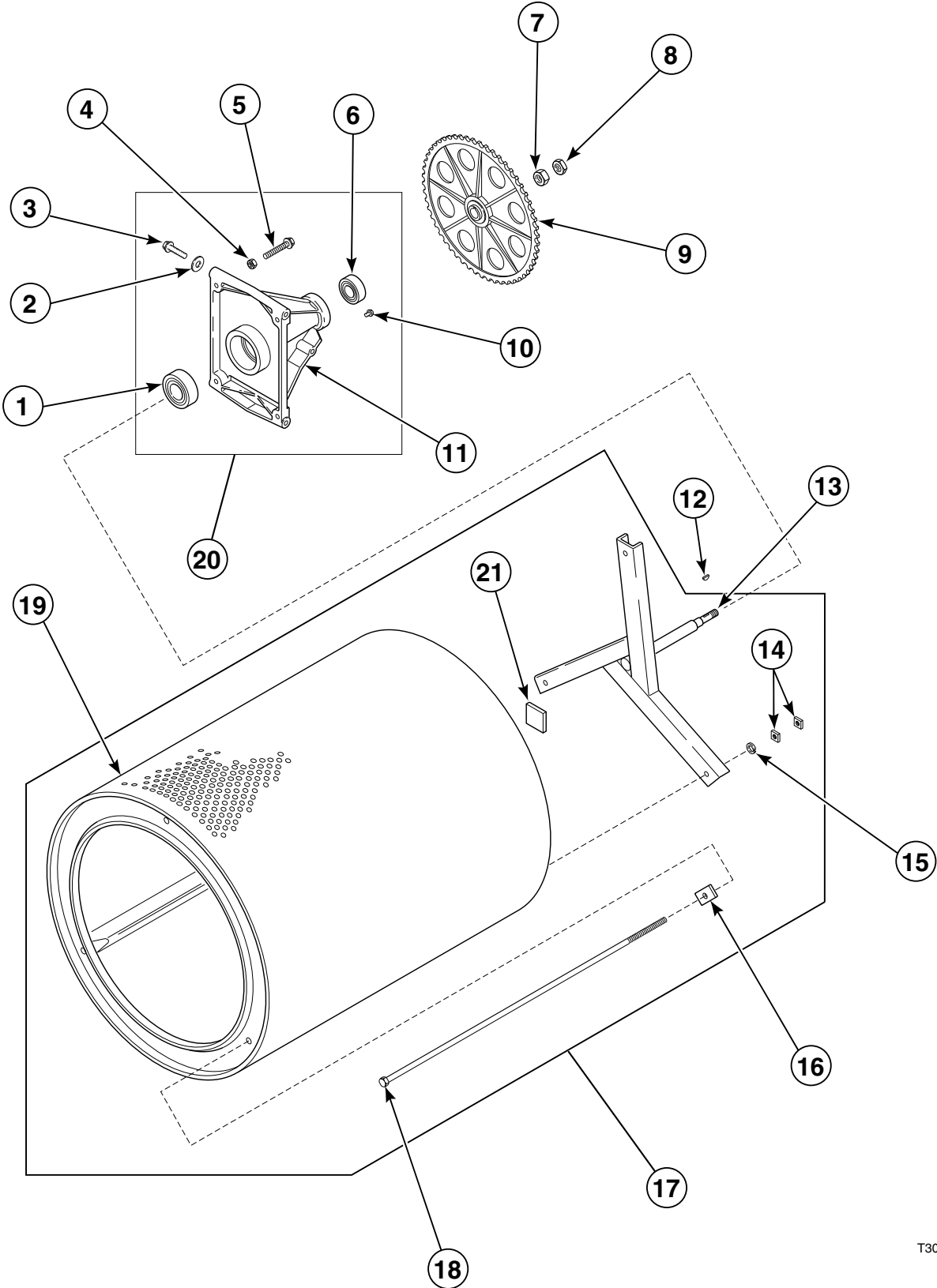
REF	PART #	DESCRIPTION	COMMENTS
1	M411460	Power Cord	
2	M411941	Thermostat	Australian Gas Manual Reset
	M411813	Thermostat, Cabinet High Limit	30CE Models (Starting with Serial No. TTCK9303031128)
	M410542	Thermostat, Cabinet High Limit	30CG Models (Starting with Serial No. TTCK07247022F)
	M406412	Thermostat, Cabinet High Limit	30EG Models
3	M400664	Screw, Phillips Head	
4	M414477	Cover	
5	M400515	Lint Hood	Steam Models
	M401150	Lint Hood	All Models Except Steam
6	M400522	Lint Screen	
7	M401201	Bumper Insert	
8	03815	Lockwasher	
9	M400657	Screw	
10	M401062*	Lint Panel -Plain	Lock and Key Style (Lock and Key Not Included)
	M406576	Lint Panel- Stainless Steel	Lock and Key Style (Lock and Key Not Included)
	M402713*	Lint Panel - Textured	Lock and Key Style (Lock and Key Not Included)
	M406574*	Lint Panel - Textured	Handle Style (Handle Not Included)
11	M400820	Retainer	
12	M414437P	Kickplate Kit	Includes Attaching Hardware
13	M404101	Lock and Key Assembly	
14	M401680	Panel Key	
15	M410243P	Handle Assembly	Includes Item 16
16	M400595	Cam and Screw	
17	M401161	Bumper Assembly	Includes Bumper Insert M401201
	M410783	Bumper Assembly, Black	DC and SC Models
	M410844	Bumper Assembly, Cocoa	JC Models, Models Starting with Serial No. 9205015887
REF	430757	Screw	Not Shown; For Lint Panel Hardware
REF	431106	Label, Lint Compartment	

* Add letter to designate color.

V – Orange
K – Red
L – Almond
W – White

B – Battina Green
H – Harvest Gold
X – Electric Blue
P – Turquoise

Cylinder and Trunnion Assemblies

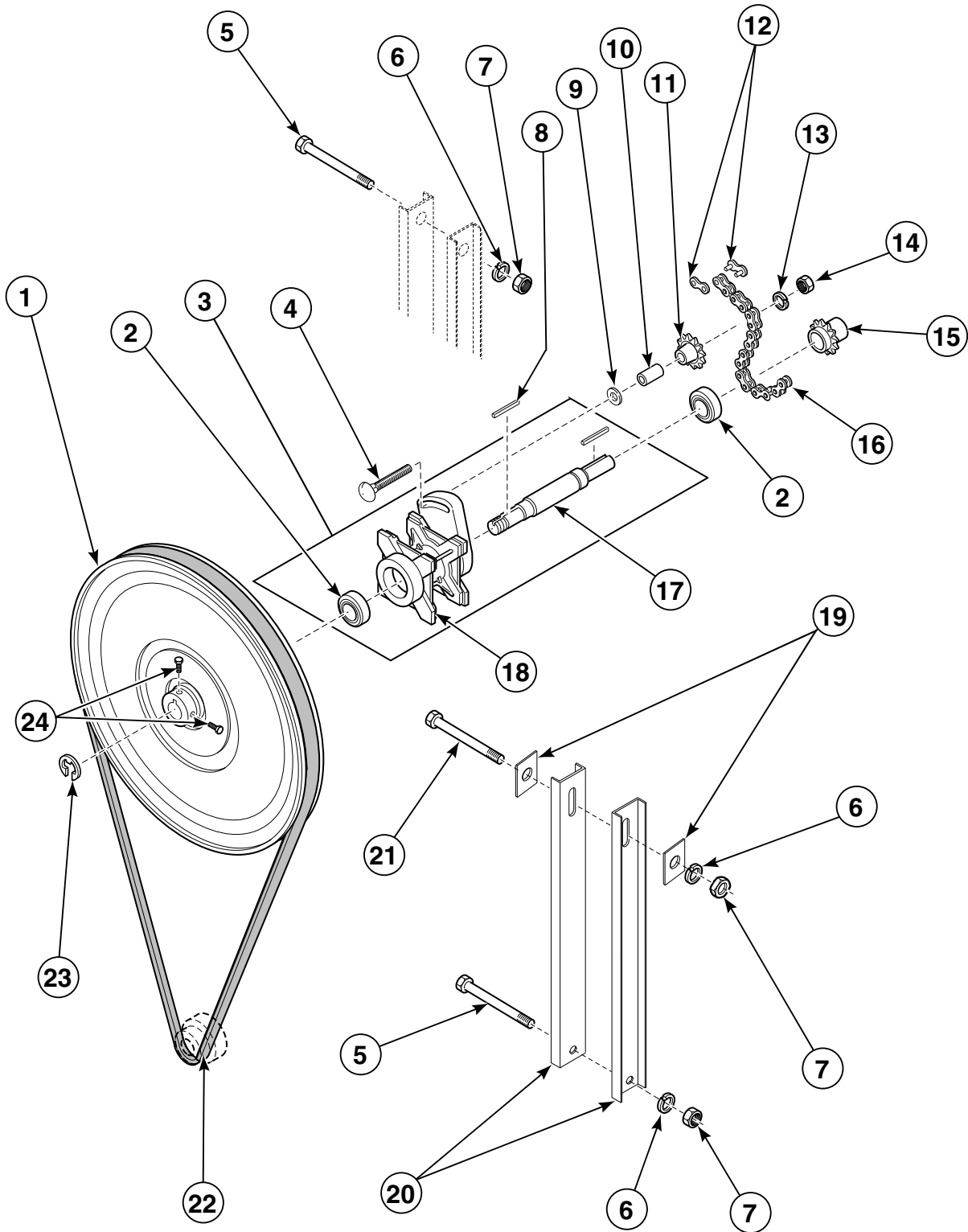


T302PZ3C

Cylinder and Trunnion Assemblies

REF	PART #	DESCRIPTION	COMMENTS
1	M413921	Bearing	
2	M401946	Washer	
	20103	Washer	DC, JC, & SC Models
3	M400649	Bolt	
4	M400026	Jam Nut	
5	M400650	Bolt	
6	M400592	Bearing	
7	M400036	Pal Nut	
8	M400023	Jam Nut	
9	M400091P	Sprocket	(Chain Drive Only); Includes M400010 Woodruff Key
10	M409385	Screw, Phillips Head	Five
	M400773	Screw	DC, JC, & SC Models
11	M400144	Housing, Trunnion	
12	M400010	Key	
13	M401055P	Assembly, Trunnion Shaft	Includes M400023 Jam Nut and M400036 Pal Nut
14	M401930	Square Nut	
15	M400013	Lockwasher	
16	M401947	Washer	
17	M401052	Assembly, Cylinder and Shaft - Galvanized	
	M405060	Assembly, Cylinder and Shaft - Stainless	
18	M400901	Rib Rod	
19	M401049	Cylinder - Galvanized	
	M401050	Cylinder - Stainless Steel	Gas Models
20	M401349P	Assembly, Trunnion Housing	
21	M402144	Felt Pad	
REF	91200	Lockwasher	Not Shown; DC, JC, & SC Models

Chain Drive Components

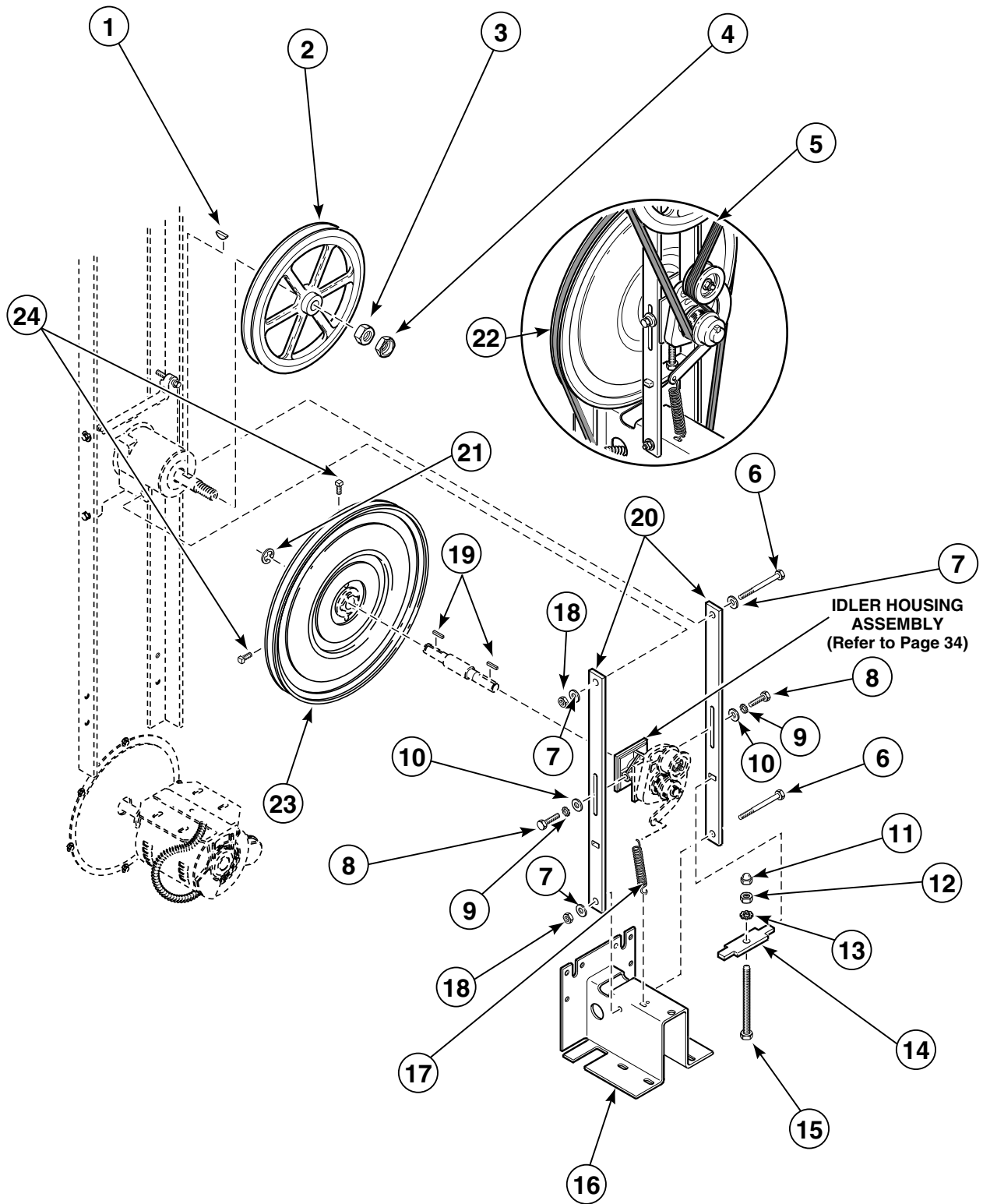


T031PZ3B

Chain Drive Components

REF	PART #	DESCRIPTION	COMMENTS
1	M400092P	Sheave	Includes M400070 Setscrews and M401327 Key
2	M400592	Bearing	
3	M412229P	Idler Housing Kit	Does NOT Include Chain, Link, Belt or Sheave
4	M412475	Carriage Bolt	
5	M400061	Bolt	
6	M400013	Lockwasher	
7	02428	Nut	
8	M401327	Key	
9	M400081	Washer	
10	M412474	Sleeve	
11	M401369	Idler Sprocket	
12	M401360	Connecting Link	Included with M401425 Chain
13	M400014	Lockwasher	
14	M400026	Nut	
15	M401366	Drive Sprocket	
16	M401425	Drive Chain	
17	M401374	Idler Shaft	
18	M412103P	Idler Housing Kit	Includes Items 4, 5, 10, 20, 21
19	M400832	Washer	
20	M412476	Guide Rail	
21	M400078	Bolt	
22	M401182	Belt	
23	M400399	Snap Ring	
24	M400065	Setscrews	

Belt Drive Components



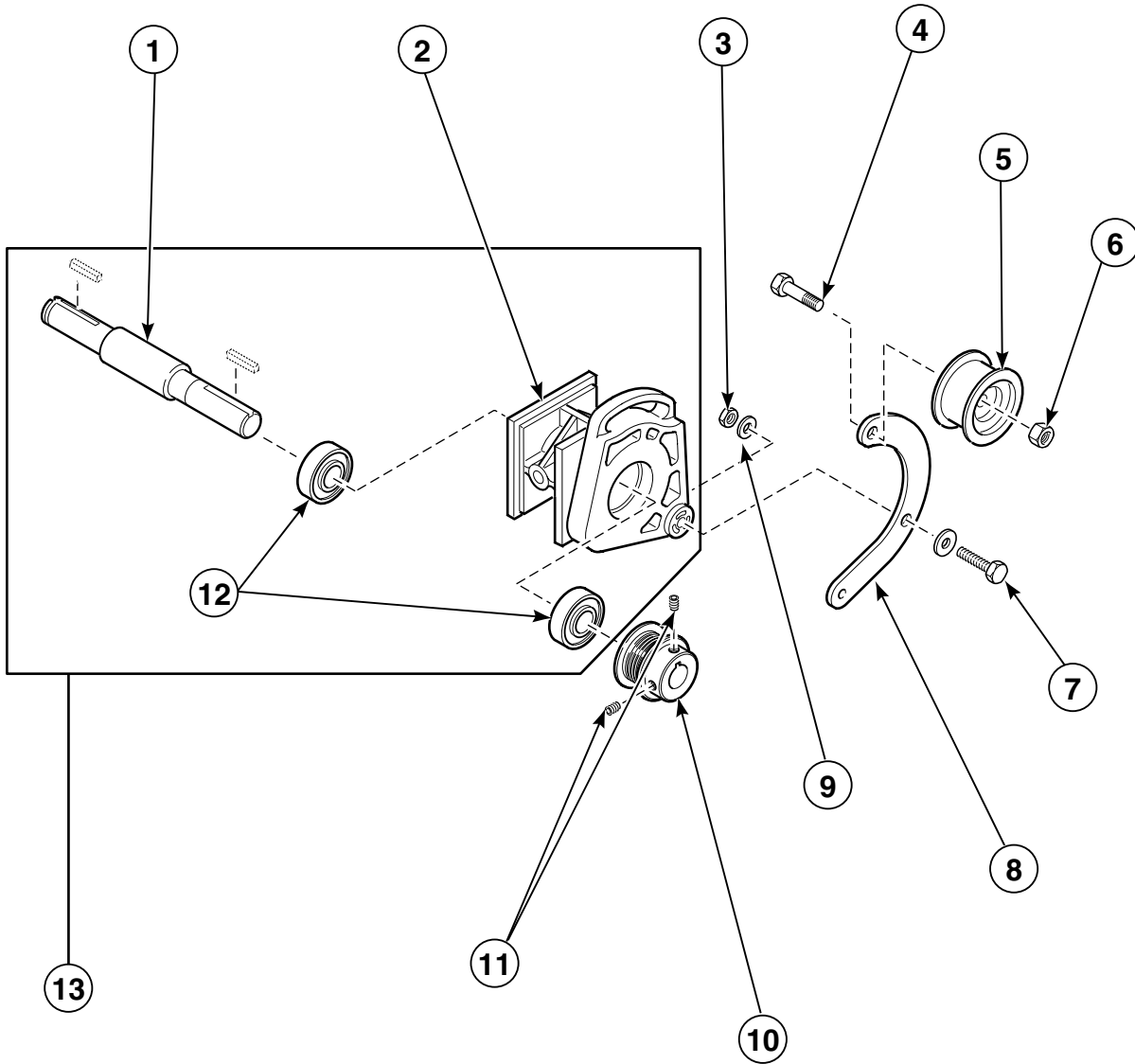
T312PZ3A

Belt Drive Components

REF	PART #	DESCRIPTION	COMMENTS
1	M400010	Key	
2	M412155	Micro V Sheave	
3	M400023	Jam Nut	
4	M400036	Pal Nut	
5	M411424	Micro V Belt	
6	M400061	Bolt	
7	M400014	Washer	
8	20255	Capscrew	
9	M403958	Lockwasher	
10	M400080	Washer	
11	M412626	Acorn Nut	
12	M404993	Nut	
13	M412188	Lockwasher	
14	M414405	Idler Support Plate	
15	M412627	Tension Bolt	
16	M411483	Motor Bracket	
17	M412121	Extension Spring	
18	M400026	Nut	
19	M401327	Key	
20	M412476	Guide Rail	
21	M400399	Retaining Ring	
22	M401182	Belt	
23	M400092P	Sheave with Hardware	
24	M400065	Setscrew	

Idler Housing Assembly

Belt Drive



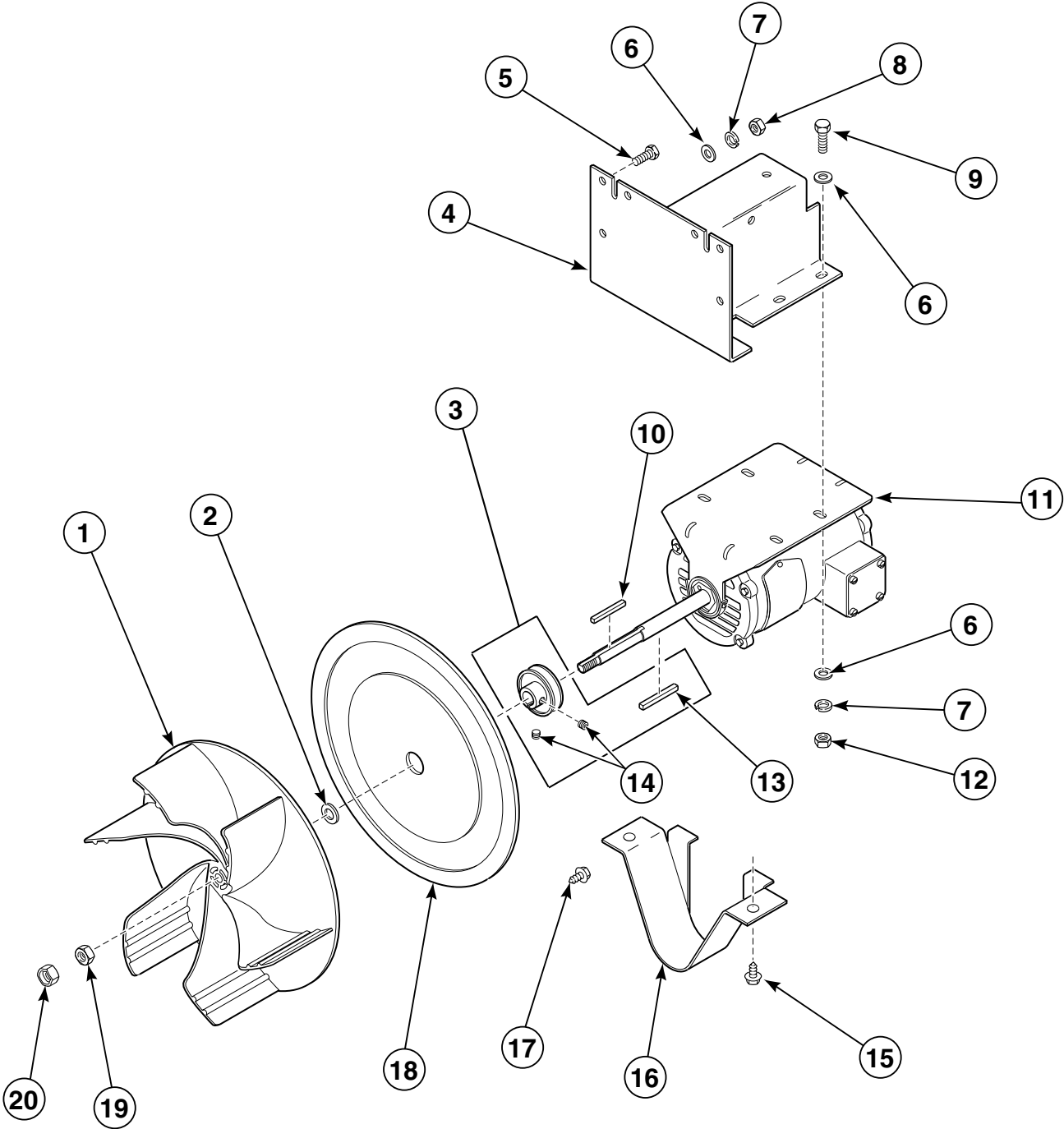
T313PZ3A

Idler Housing Assembly

Belt Drive

REF	PART #	DESCRIPTION	COMMENTS
1	M412223	Idler Shaft	
2	M412103P	Idler Housing	
3	52566	Nut	
4	430648	Bolt	
5	430619	Idler Wheel	
6	56156	Nut	
7	M412119	Bolt	
8	M414320P	Idler Arm	Includes Washers 430782 and 70187001
9	M405535	Washer	
10	M411466	Micro V Pulley	
11	M400077	Setscrew	
12	430038	Bearing	
13	M412228P	Idler Housing Kit	

Fan and Motor Assembly

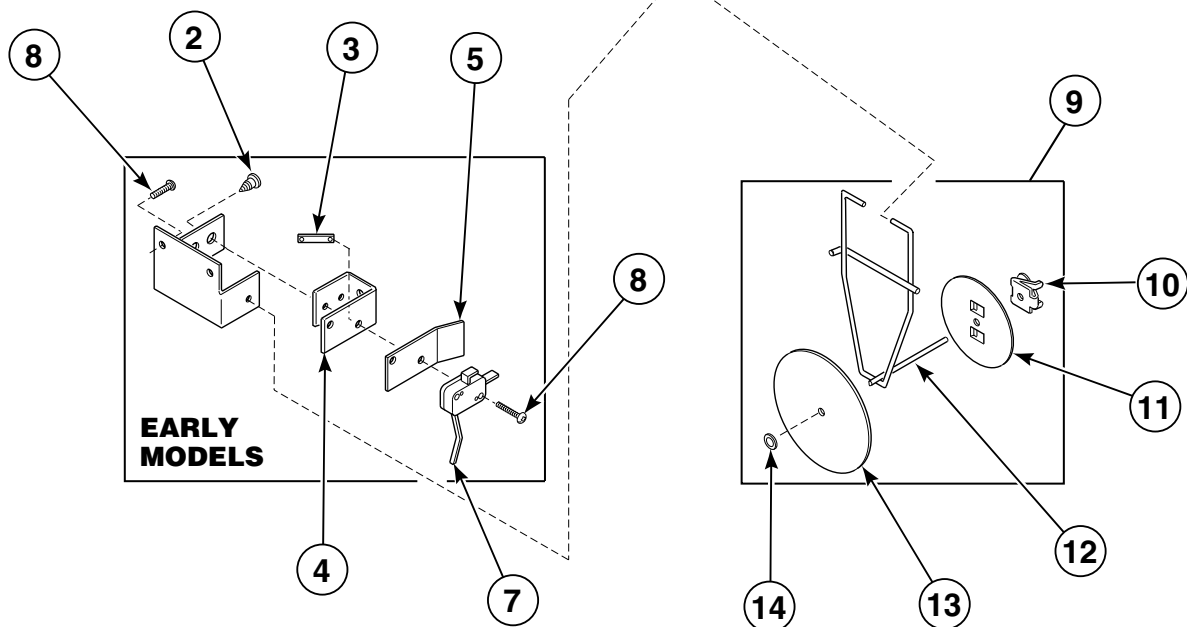
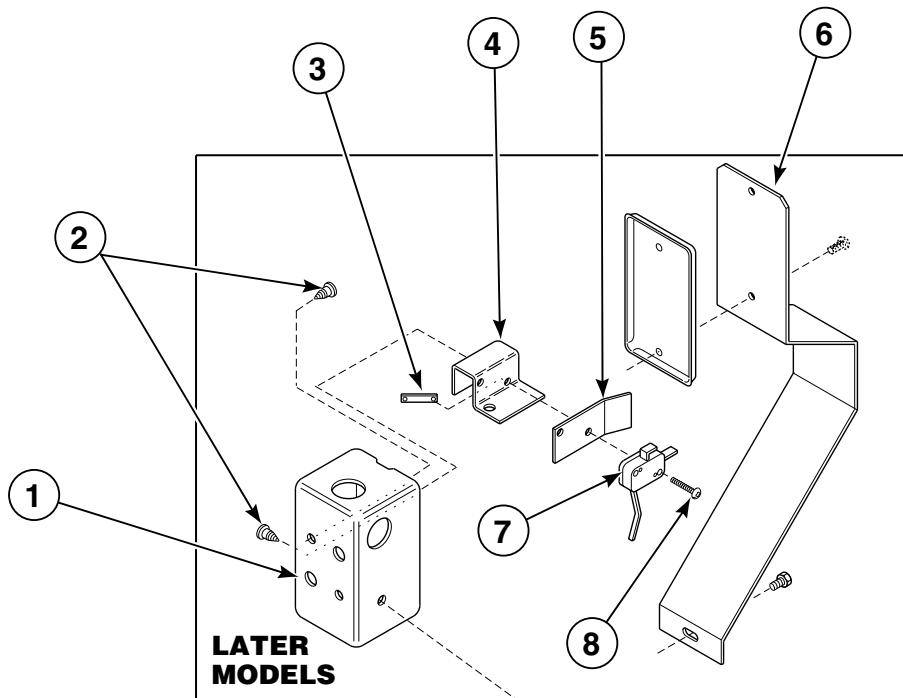


T032PZ3B

Fan and Motor Assembly

REF	PART #	DESCRIPTION	COMMENTS
1	M410088P	Fan	Model 30CSL Only (Includes M400994 Fan Key)
1	M400086P	Fan	All Other Models (Includes M400994 Fan Key)
2	M400991	Washer	
3	M401183P	Motor Pulley	60 Hertz
	M401186	Motor Pulley	50 Hertz
4	M411483	Motor Bracket	
5	M401393	Bolt	
6	M400080	Flat Washer	
7	M400013	Lockwasher	
8	70142	Nut	
9	M400057	Bolt	
10	M400994	Fan Key	
11		Motor	Refer to Table on page 109
12	02428	Nut	
13	M400993	Pulley Key	
14	M400077	Setscrews	
15	M405188	Screw	
16	M413008	Belt Guard	
17	M410059	Screw, Washer Head	
18	M401362	Fan Housing Cover	
19	M400022	Jam Nut	
20	M400034	Pal Nut	
REF	M4426P3	Fan Motor Hardware Kit	Includes Items 2, 10, 12, 19, and 20

Airflow Switch and Vane Assembly

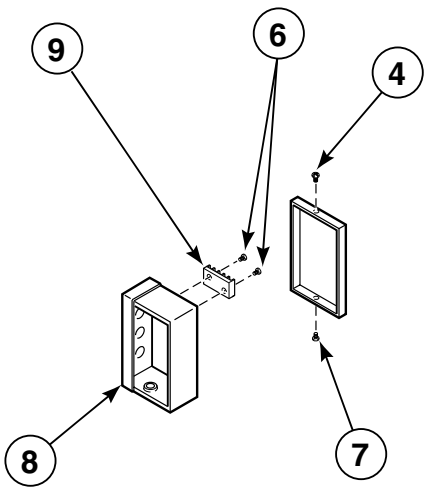
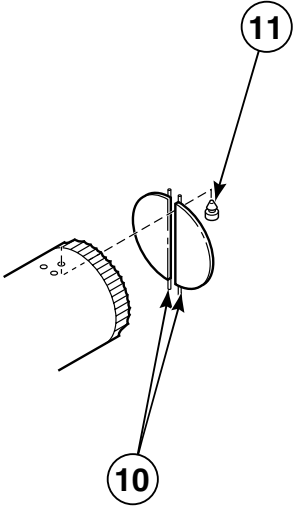
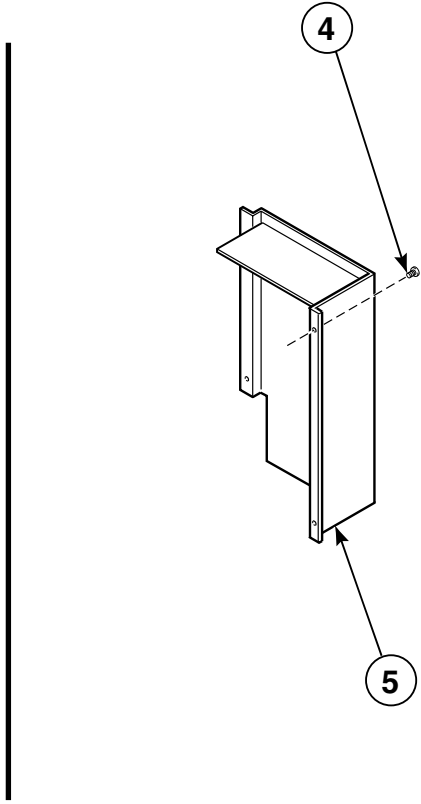
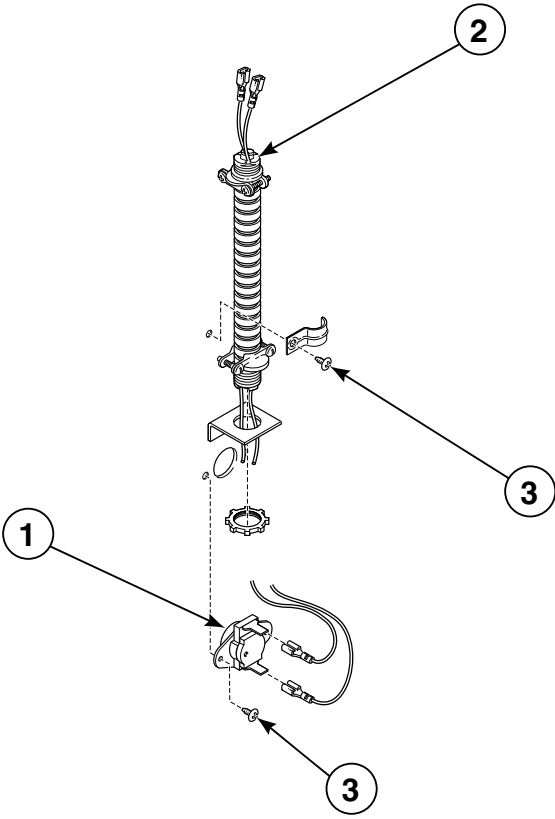


T034PZ3B

Airflow Switch and Vane Assembly

REF	PART #	DESCRIPTION	COMMENTS
1	M403235	Handy Box	
2	M400664	Screw, Phillips Head	
3	M400979	Twin Speed Nut	
4	M409202	Bracket	
5	M400712	Barrier	
6	M410544	Air Flow Switch Guard	
7	M400944	Switch	
	M412423	Switch	DC, JC, & SC Models
8	M401938	Screw, Phillips Head	
9	M400542	Air Flow Vane Assembly	
	M400541	Air Flow Vane Assembly	DC, JC, & SC Models
10	M400976	Adjustable Clip	
11	M400822	Counterweight	
12	M400753	Lever	
13	M400253	Disc	
14	M400977	Pushnut	

Cabinet High Limit Thermostat (EG), Chain Guard, Damper Vane and Junction Box

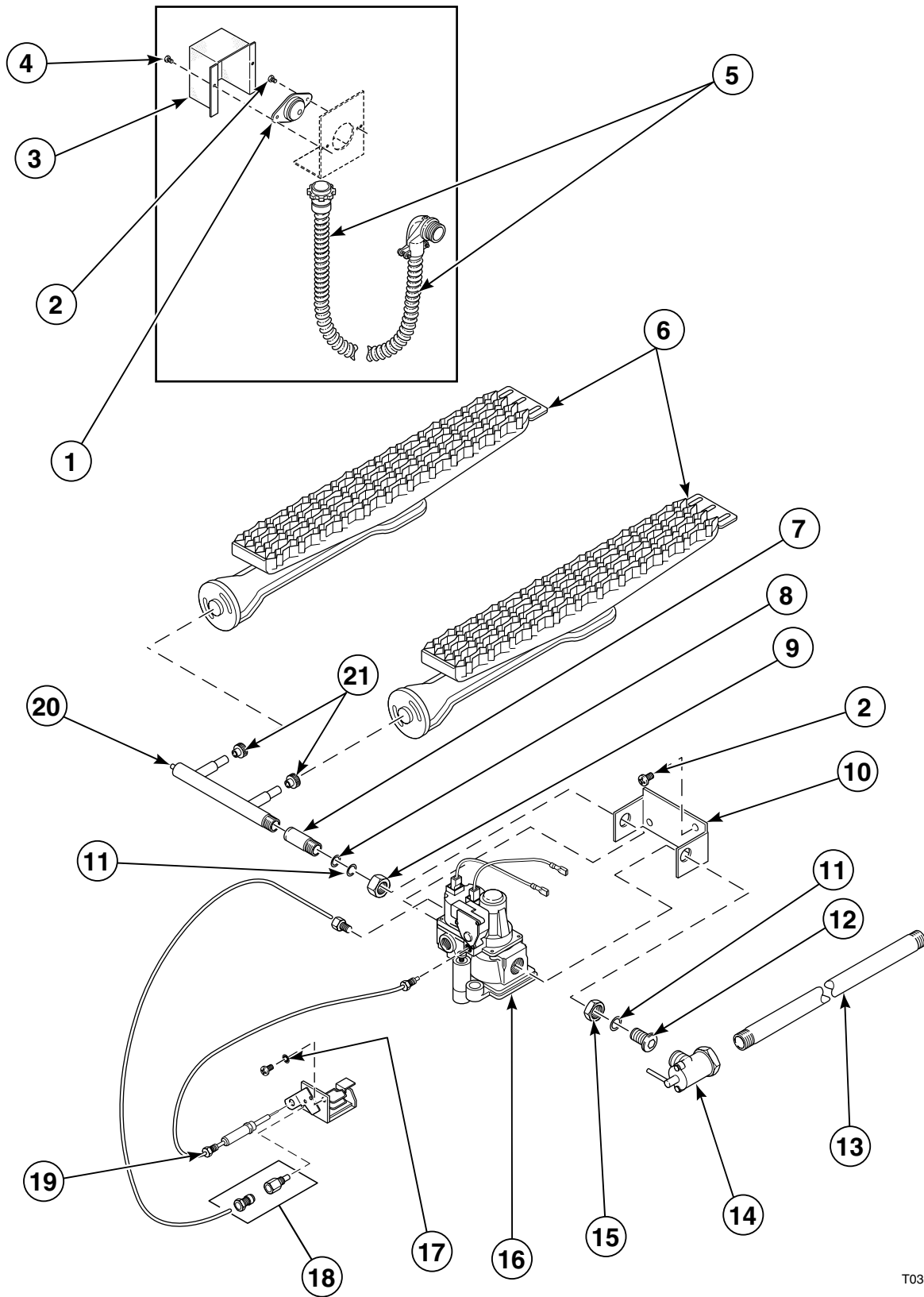


T033PZ3C

Cabinet High Limit Thermostat (EG), Chain Guard, Damper Vane and Junction Box

REF	PART #	DESCRIPTION	COMMENTS
1	M401257	Thermostat, Cabinet High Limit	Energy Saver Models
2		Wire Harness	Refer to Table on page 110
3	M400664	Screw	
4	51780	Screw, Phillips Head	
5	M411477	Chain Guard	Energy Saver Models
	M411467	Chain Guard	All Other Models
6	M405824	Screws	
7	M414352	Junction Box Cover	
8	M410364	Junction Box	
9	M405364	Terminal Block	Steam Models and 120 Volt Gas Models
	M405363	Terminal Block	208/240 Volt Gas Models
10	M400503	Damper Vane	
11	M400795	Bumper	

Burner Assembly for Standing Pilot Ignition

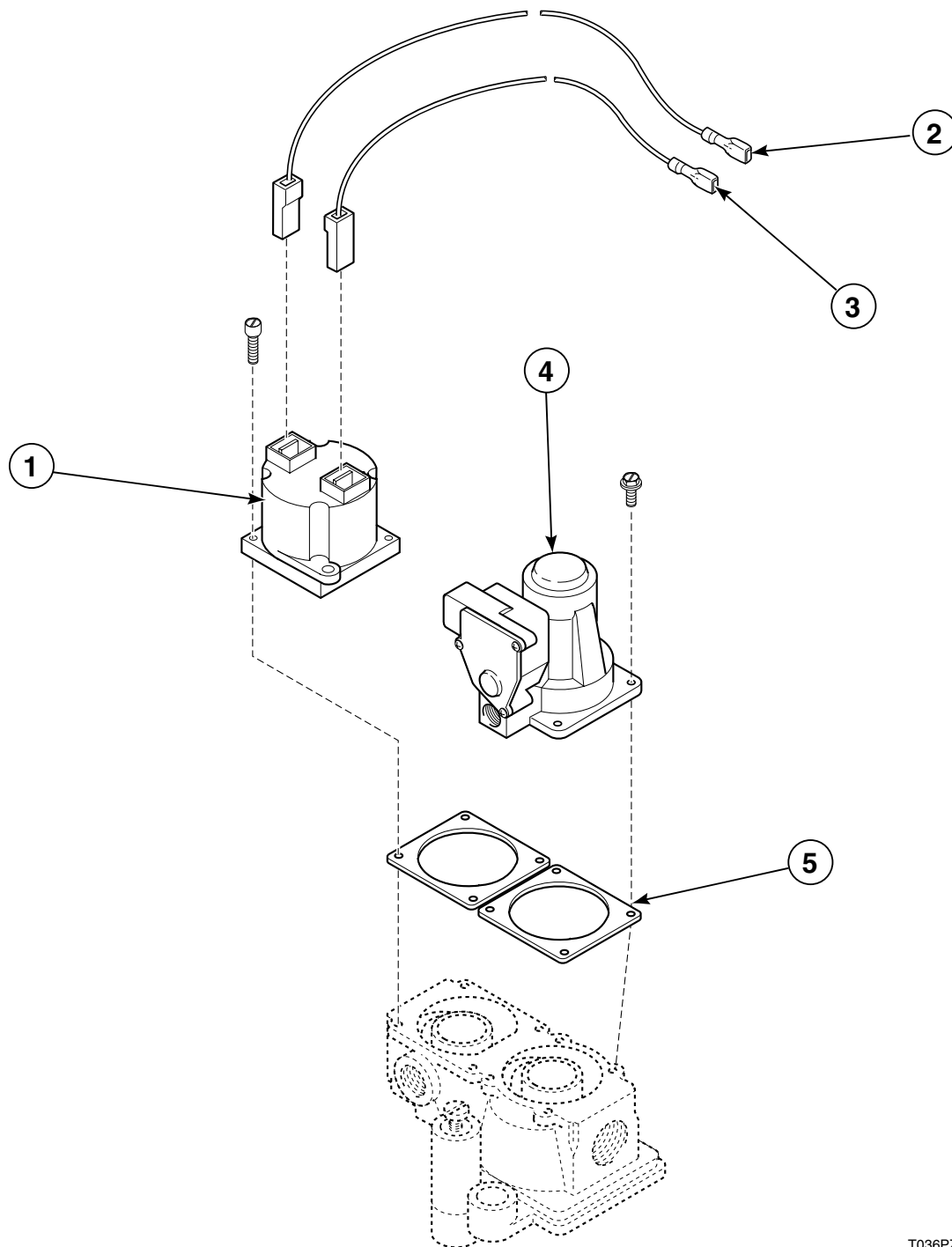


T035P23E

Burner Assembly for Standing Pilot Ignition

REF	PART #	DESCRIPTION	COMMENTS
1	M409433	Thermostat Burner High Limit	
2	M402797	Screw	
3	M414477	Cover	
4	M400664	Screw, Phillips Head	
5		Wire Harness	Refer to Table on page 110
6	M4448P3	Burner Kit (Two Burners)	
7	M406681	Nipple	
8	M400606	Retainer Ring	
9	M401548	Union Nut	
10	M400823	Bracket	
11	M400605	Anti-Torque Ring	
12	M401550	Plug	
13	M400749	Gas Supply Pipe	
14	M406455	Shut-Off Valve	
15	M401549	Nut	
16	M401228	Gas Valve - Natural Gas	120 Volt
	M401229	Gas Valve - Natural Gas	208/240 Volt
	M401230	Gas Valve - L.P. Gas	120 Volt
	M401231	Gas Valve - L.P. Gas	208/240 Volt
17	03815	Lockwasher	
18		Pilot Orifice Nut and Sleeve	Refer to Table on page 108
19	M400934	Thermocouple	
20	M403163	Manifold	
21		Burner Orifice	Refer to Table on page 108
REF	M4325P3	L.P. Conversion Kit	

Gas Valve Components for Standing Pilot Ignition

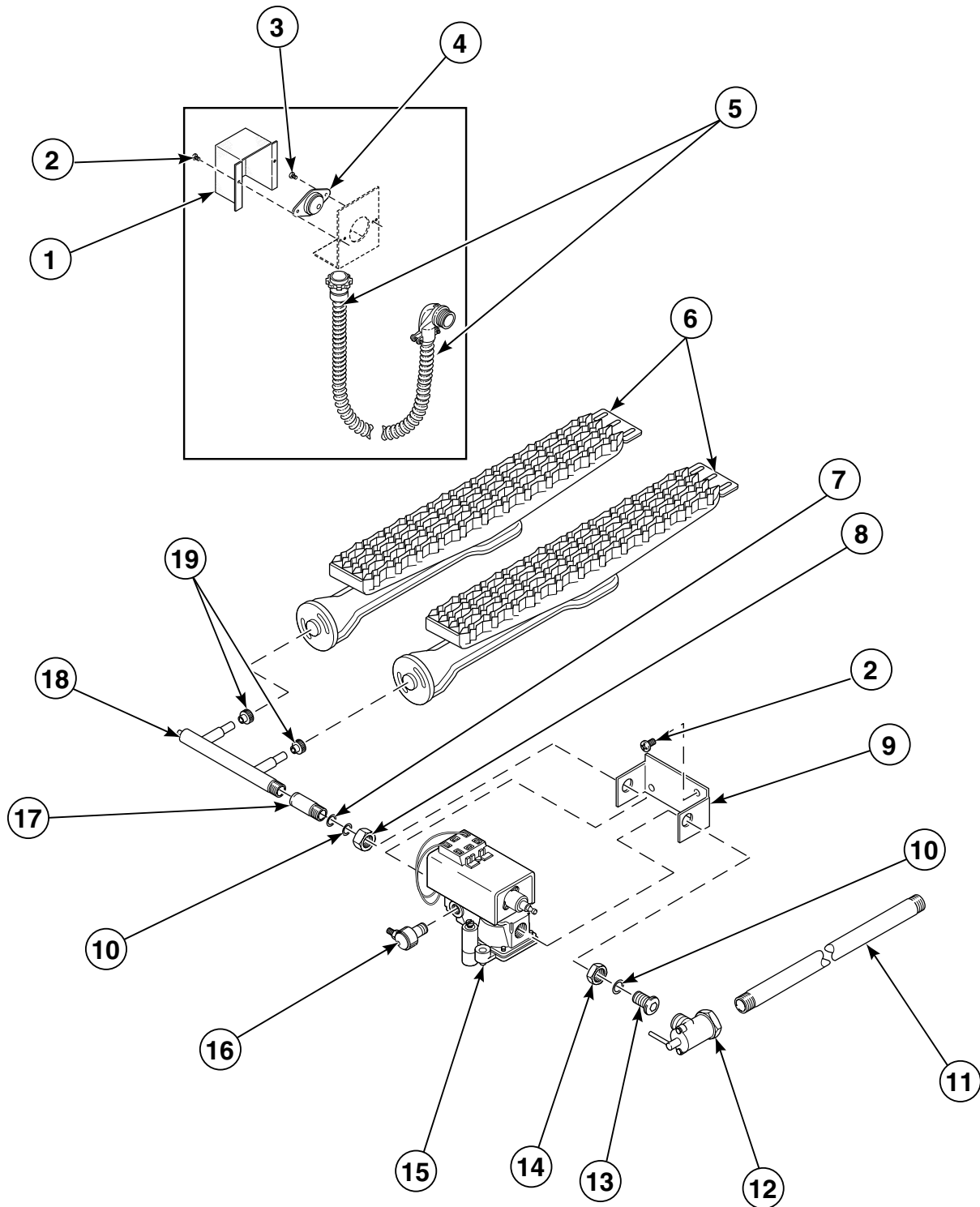


T036PZ3C

Gas Valve Components for Standing Pilot Ignition

REF	PART #	DESCRIPTION	COMMENTS
1	M406217	Operator	120 Volt
	M400331	Operator	208/240 Volt
2	M400337	Wire	
3	M400338	Wire	
4	M400329	Reset Assembly	Includes M400707
5	M400798	Gasket	

Burner Assembly for Automatic Pilot Ignition



T366PZ3A

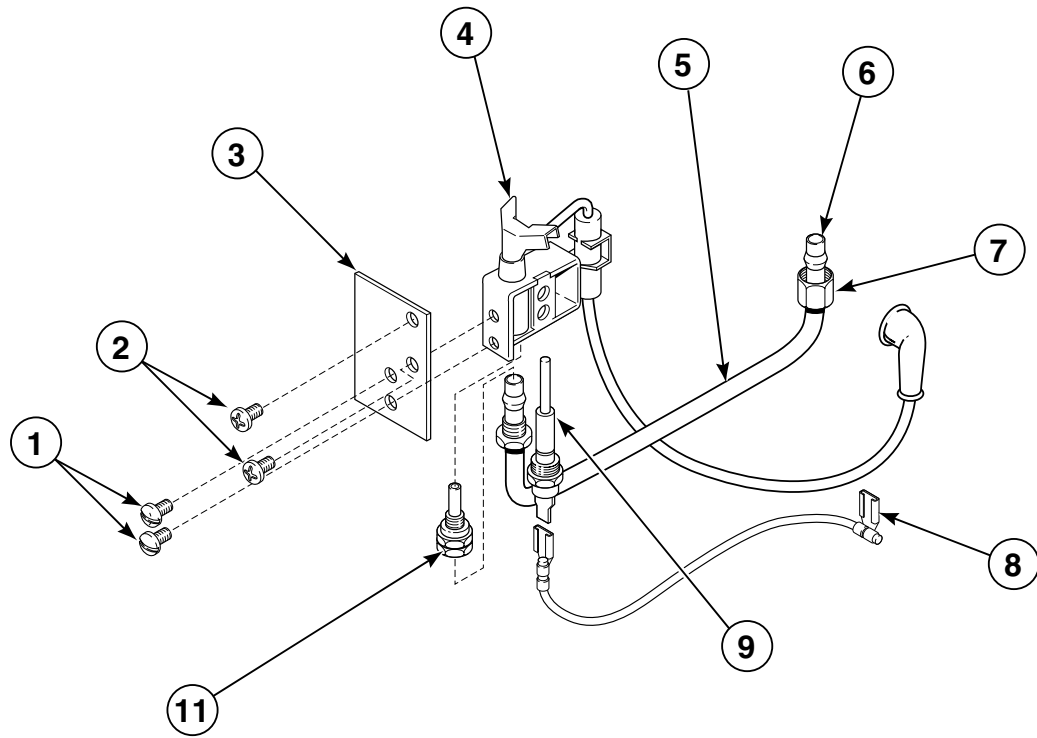
Burner Assembly for Automatic Pilot Ignition

REF	PART #	DESCRIPTION	COMMENTS
1	M414477	Cover	
2	M400664	Screw, Phillips Head	
3	M402797	Screw	
4	M409433	Thermostat, Burner High Limit	
5		Wire Harness	Refer to Table on page 110
6	M4448P3	Burner Kit (2 Burners)	
7	M400606	Retainer Ring	
8	M401548	Union Nut	
9	M400823	Bracket	
10	M400605	Anti-Torque Ring	
11	M400749	Gas Supply Pipe	
12	M406455	Shut-Off Valve	
13	M401550	Plug	
14	M401549	Nut	
15	M401225P	Gas Valve - L.P. Gas	
	M401224	Gas Valve - Natural Gas	
16	M400965	Pilot Filter	
17	M406681	Nipple	
18	M403163	Manifold	
19		Burner Orifice	Refer to Table on page 108
REF	M4323P3	L.P. Conversion Kit	
	M4337P3	Igniter Kit - L.P. Gas	
	M4338P3	Igniter Kit - Natural Gas	

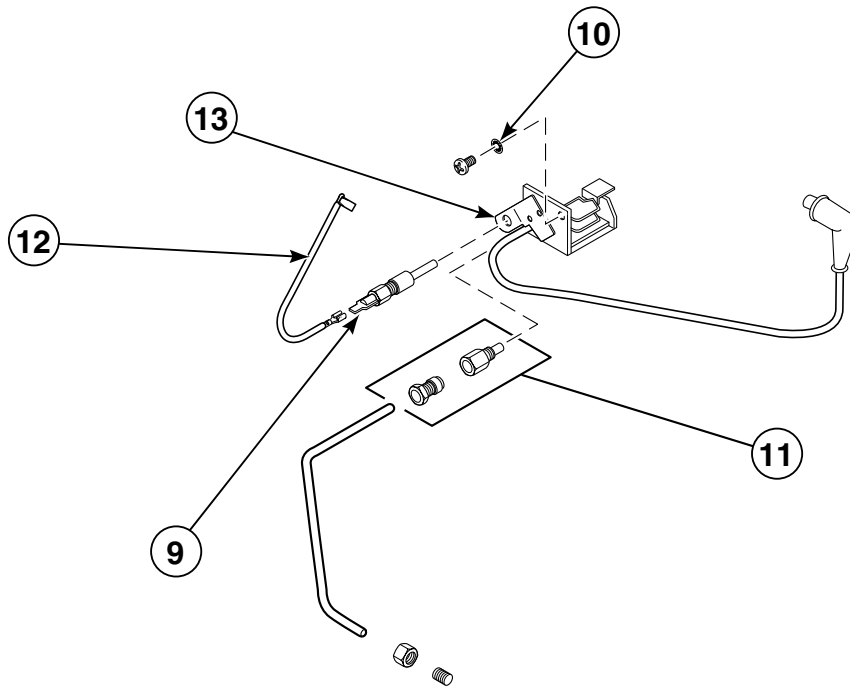
Vertical and Horizontal Ignition Systems

Automatic Pilot Ignition

VERTICAL IGNITION SYSTEM



HORIZONTAL IGNITION SYSTEM



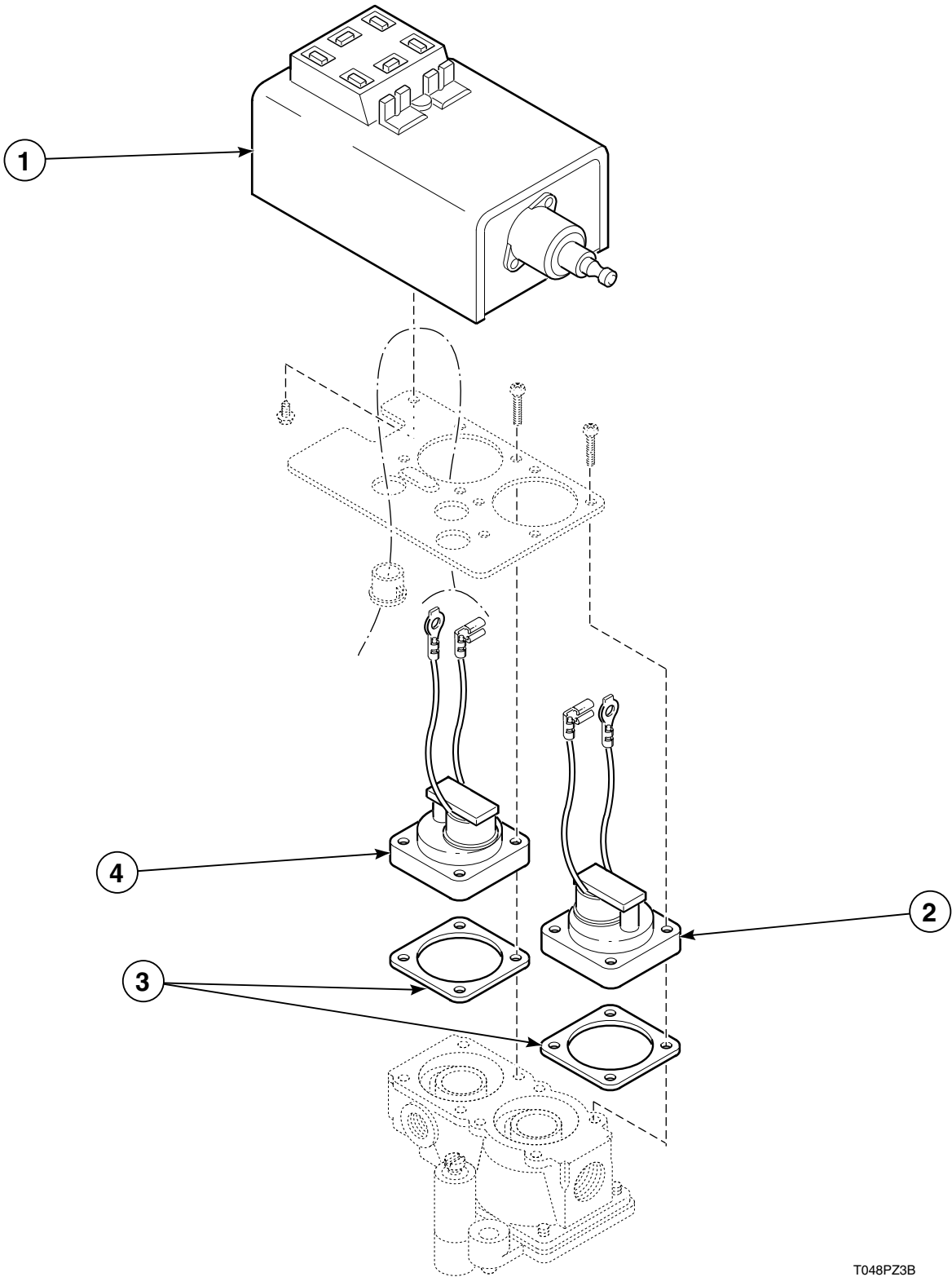
T037PZ3D

Vertical and Horizontal Ignition Systems

Automatic Pilot Ignition

REF	PART #	DESCRIPTION	COMMENTS
1	M402595	Screw	
2	M409385	Screw, Phillips Head	
3	M402594	Bracket, Mounting	
4	M402591	Assembly, Pilot and Electrode	
5	M402596	Pilot Tube	
6	M400925	Compression Sleeve	
7	M400926	Compression Nut	
8	M402597	Sensor Wire	
9	M401209	Sensor Probe	
10	03815	Lockwasher	
11		Pilot Orifice Nut and Sleeve	Refer to Table on page 108
12	M401210	Sensor Lead	
13		Assembly, Pilot and Electrode	Order Igniter Kits M4337P3 or M4338P3
REF	M4337P3	Igniter Kit - L.P. Gas	
	M4338P3	Igniter Kit - Natural Gas	

Gas Valve Components for Automatic Pilot Ignition



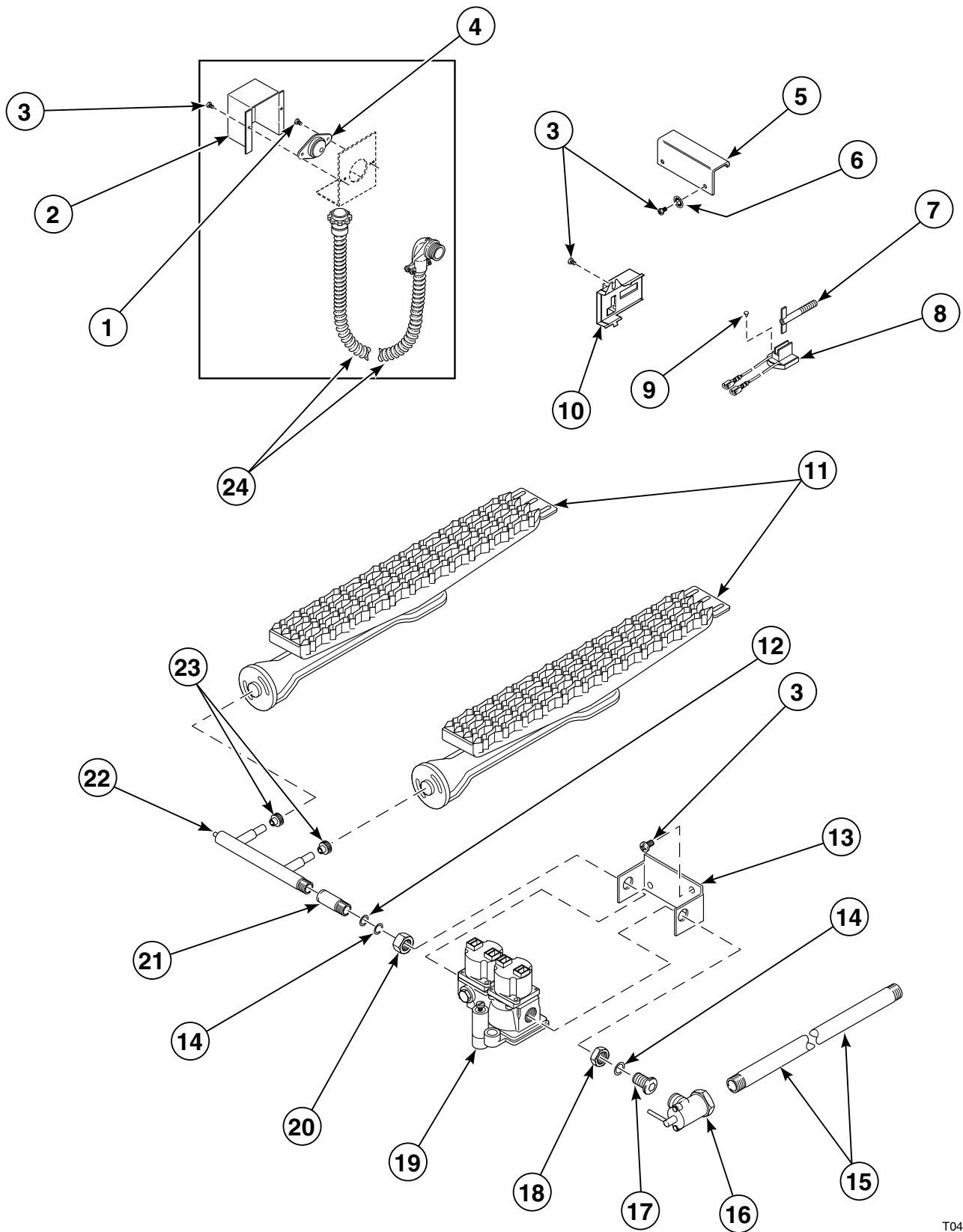
T048PZ3B

Gas Valve Components for Automatic Pilot Ignition

REF	PART #	DESCRIPTION	COMMENTS
1		Electronic Package	Not Available, Order M4385P3 Remote Igniter Kit
2	M401226	Pilot Operator	Includes M400798 Gasket
3	M400798	Gasket	
4	M401227	Main Operator	Includes M400798 Gasket

Burner Assembly for Glow-Bar Ignition

Johnson Control



T040P2

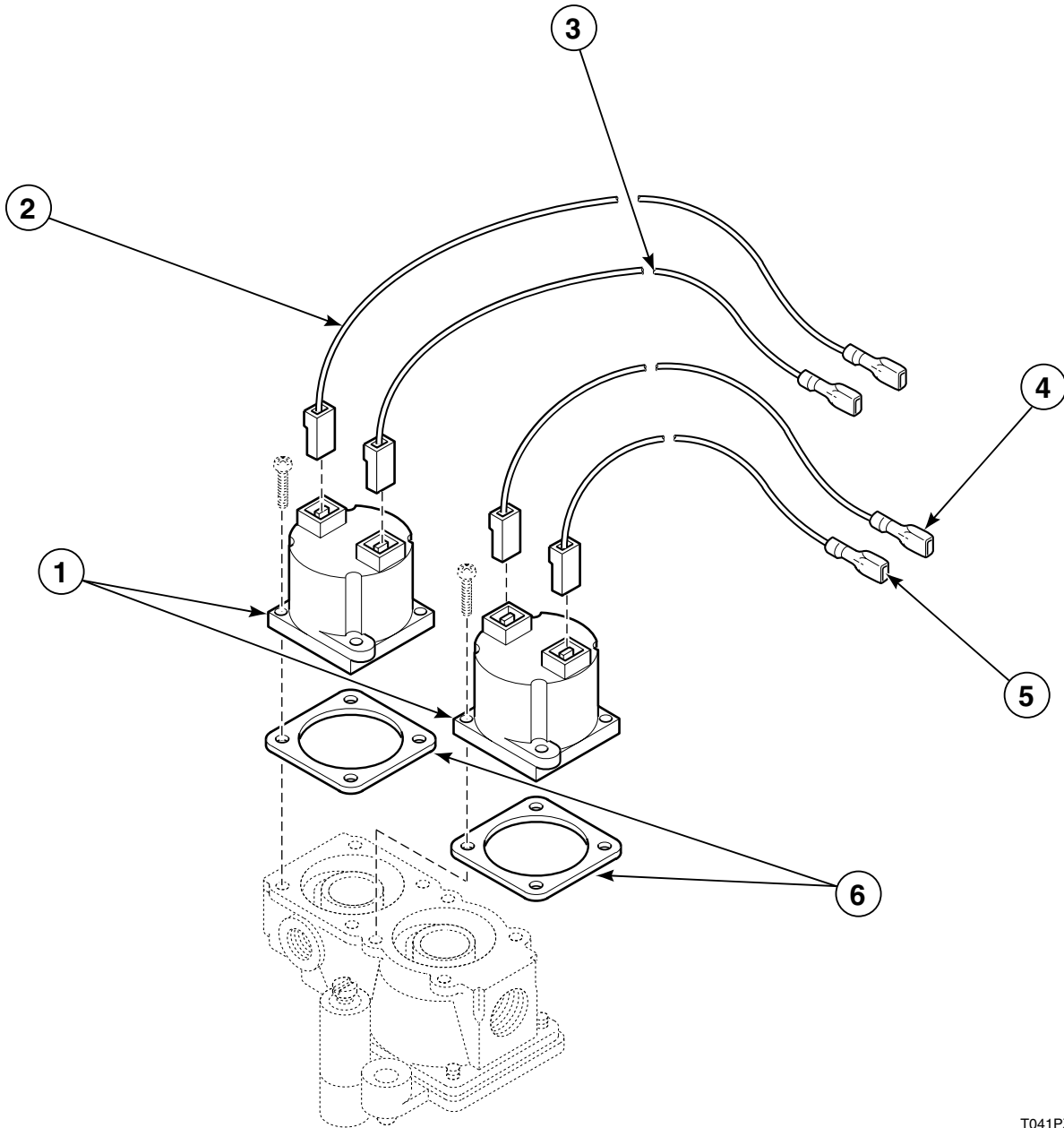
Burner Assembly for Glow-Bar Ignition

Johnson Control

REF	PART #	DESCRIPTION	COMMENTS
1	M402797	Screw	
2	M414477	Cover	
3	M400664	Screw, Phillips Head	
4	M401404	Thermostat, Burner High Limit	Energy Saver Models
	M409433	Thermostat, Burner High Limit	Standard Models
5	M402746	Flash Tube	
6	03815	Lockwasher	
7	55438	Igniter	
8	M402745	Igniter Bracket	
9	56693	Screw	
10	510213	Sensor	
11	M4448P3	Burner Kit - 2 Burners	
12	M400606	Retainer Ring	
13	M400823	Bracket	
14	M400605	Anti-Torque Ring	
15	M400749	Gas Supply Pipe	
16	M406455	Shut-Off Valve	
17	M401550	Plug	
18	M401549	Nut	
19	M403151	Gas Valve - L.P. Gas	
	M402750	Gas Valve - Natural Gas	
20	M401548	Union Nut	
21	M406681	Nipple	
22	M403163	Manifold	
23		Burner Orifice	Refer to Table on page 108
24		Wire Harness	Refer to Table on page 110

Gas Valve Components for Glow-Bar Ignition

Johnson Control



T041PZ3C

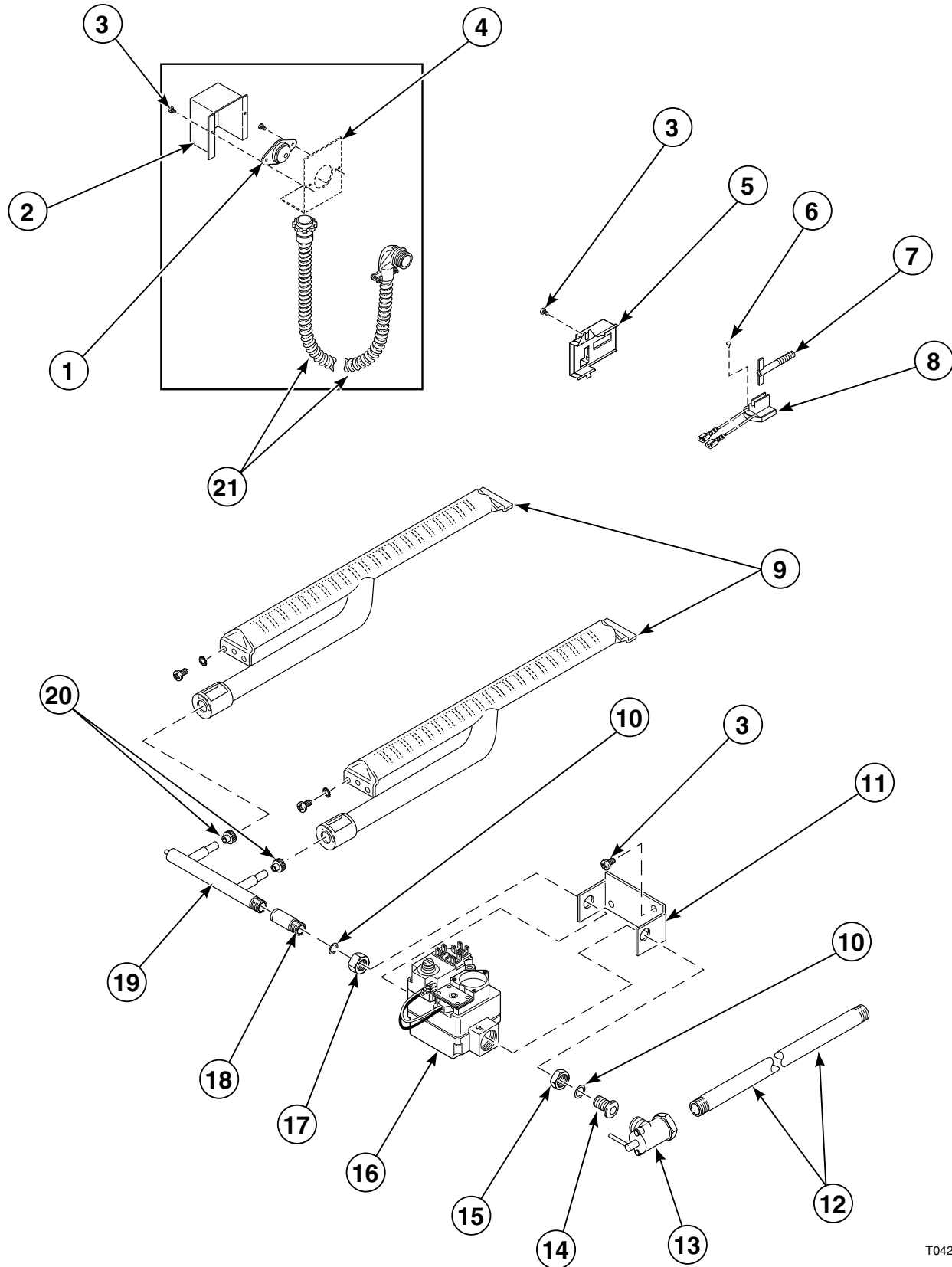
Gas Valve Components for Glow-Bar Ignition

Johnson Control

REF	PART #	DESCRIPTION	COMMENTS
1	M406217	Magnetic Operator	Includes M400798 Gasket
2	M402824	Wire	Blue
3	M402822	Wire	Purple
4	M402825	Wire	Blue
5	M402823	Wire	Purple
6	M400798	Gasket	

Burner Assembly for Glow-Bar Ignition

White Rodgers Controls



T042PZ3D

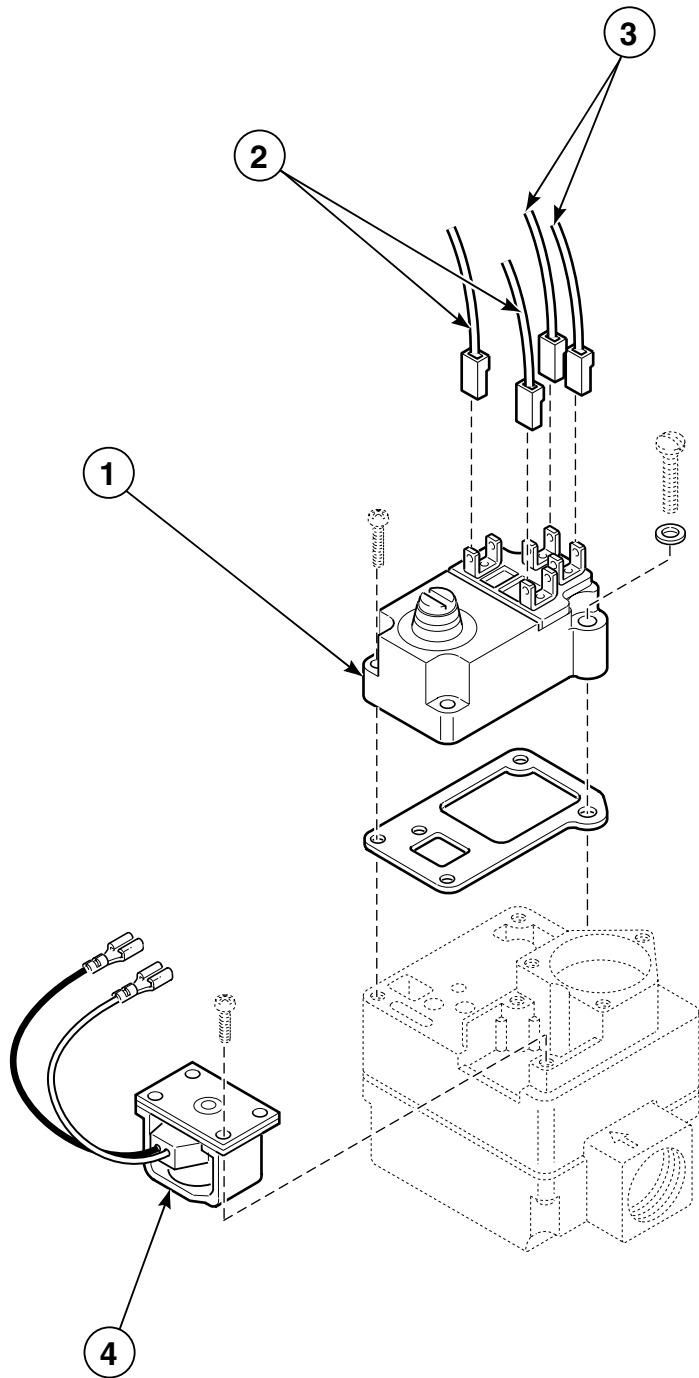
Burner Assembly for Glow-Bar Ignition

White Rodgers Controls

REF	PART #	DESCRIPTION	COMMENTS
1	M402797	Screw	
2	M414477	Cover	
3	M400664	Screw, Phillips Head	
4	M401404	Thermostat, Burner High Limit	Energy Saver Models
	M409433	Thermostat, Burner High Limit	Standard Models
5	510213	Sensor	
6	56693	Screw	
7	55438	Igniter	
8	M402745	Igniter Bracket	
9	M405919	Burner	Prior to Serial No. TTCK0724702ZF
	M410541	Burner	Starting With Serial No. TTCK0724702ZF
10	M400605	Anti-Torque Ring	
11	M405945	Bracket	Prior to Serial No. TTCK0724702ZF
	M406814	Bracket	Starting With Serial No. TTCK0724702ZF
12	M400749	Gas Supply Pipe	
13	M406455	Shut-Off Valve	
14	M401550	Plug	
15	M401549	Nut	
16	M405935	Gas Valve - L.P. Gas	Refer to Table on page 108 for Gas Valve Components
	M405898	Gas Valve - Natural Gas	Refer to Table on page 108 for Gas Valve Components
17	M401548	Union Nut	
18	M406681	Nipple	
19	M403163	Manifold	Prior to Serial No. TTCK0724702ZF
	M410546	Manifold	Starting With Serial No. TTCK0724702ZF
20		Burner Orifice	Refer to Table on page 108
21		Wire Harness	Refer to Table on page 110
REF	M4377P3	L.P. Conversion Kit	30CG
	M4378P3	L.P. Conversion Kit	30EG

Gas Valve Components for Glow-Bar Ignition

White Rodgers



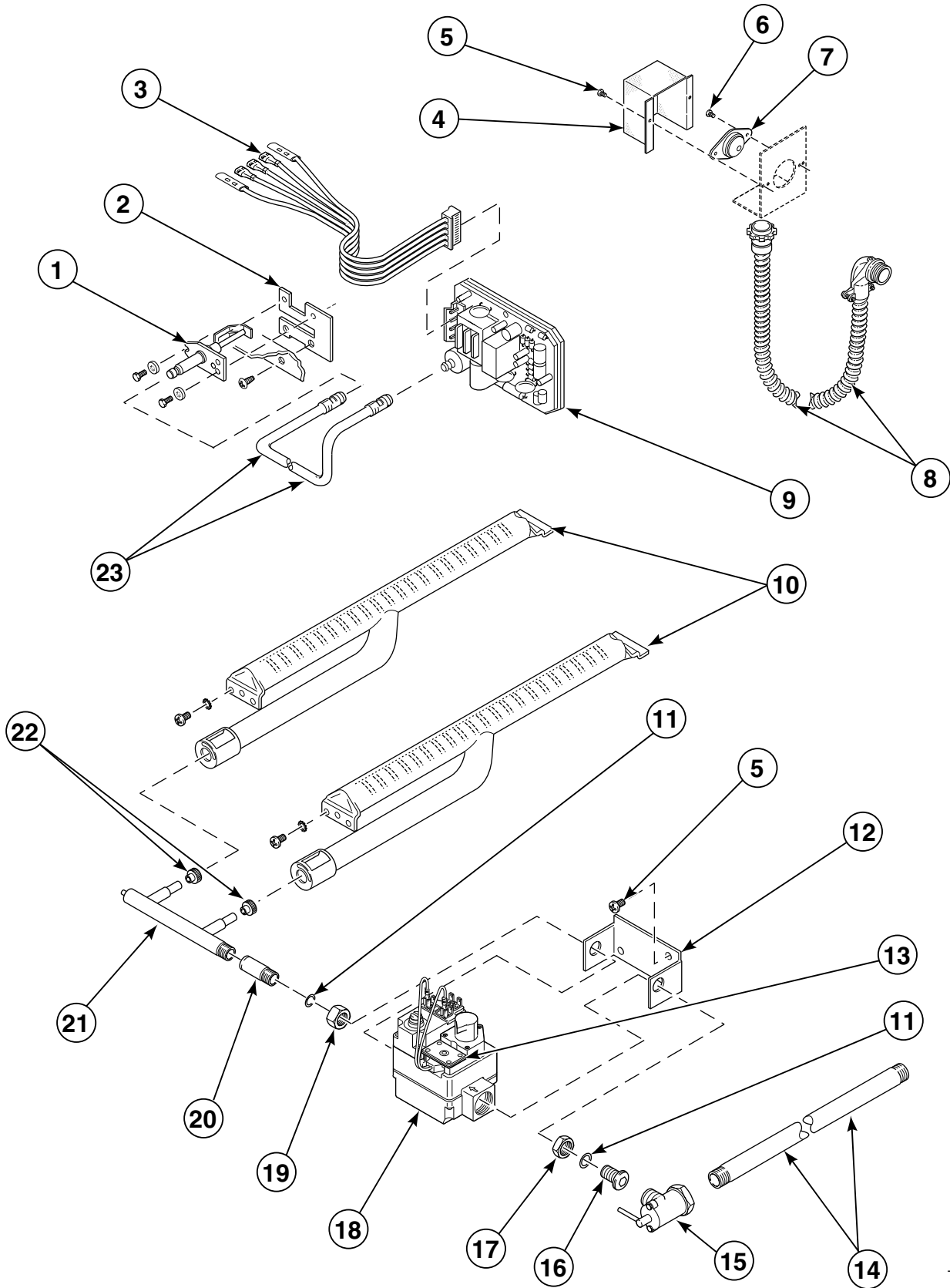
T043PZ3G

Gas Valve Components for Glow-Bar Ignition

White Rodgers

REF	PART #	DESCRIPTION	COMMENTS
1	M405430	Main Coil	Includes M4054331 and M405432 Gaskets
2	M404866	Jumper Wires	Purple
3	M404868	Jumper Wires	Blue
4		Redundant Coil	Not Available, Replace with Complete Gas Valve

Burner Assembly for Instant Electronic Ignition

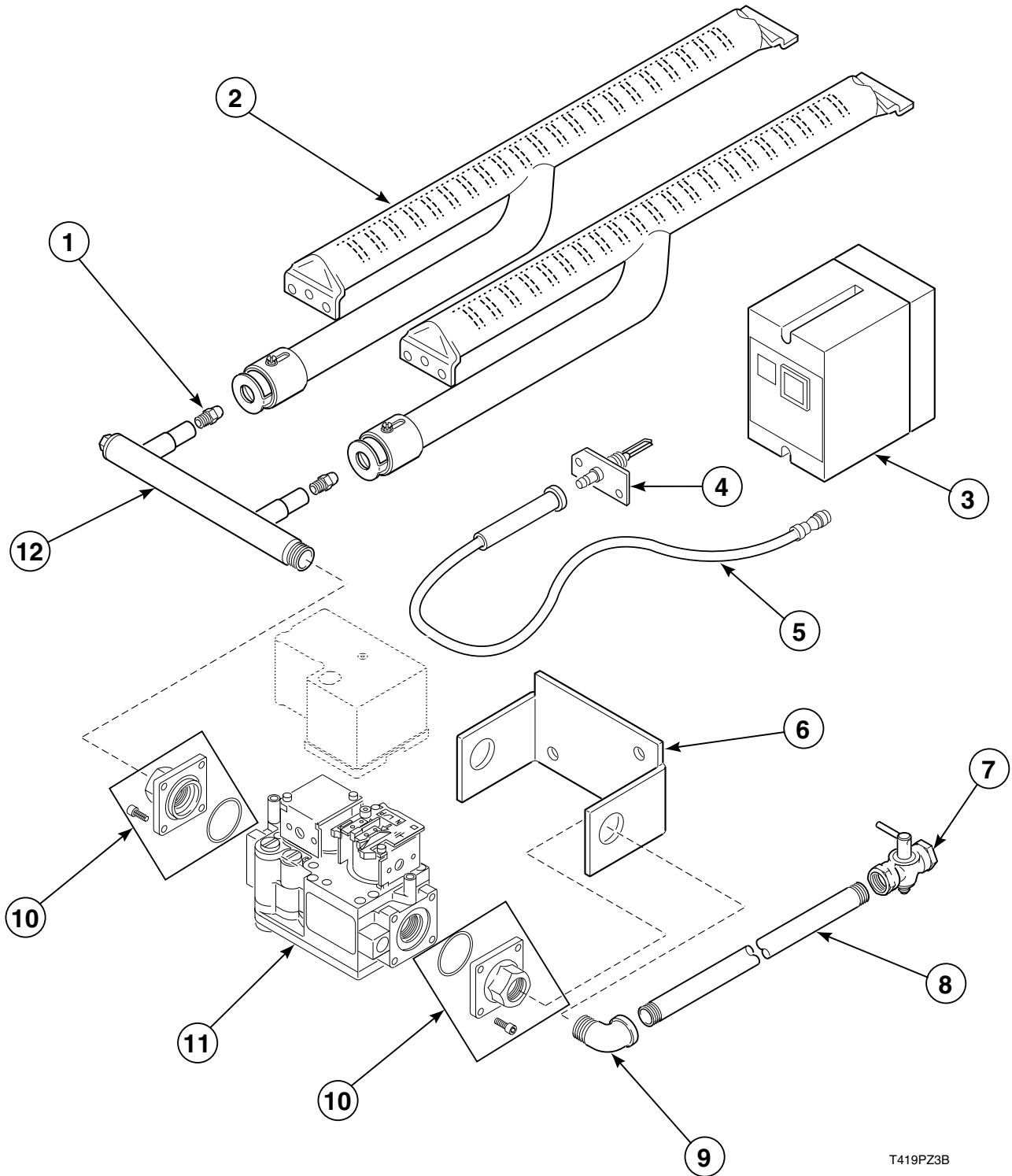


T049PZ3D

Burner Assembly for Instant Electronic Ignition

REF	PART #	DESCRIPTION	COMMENTS
1	M406934	Spark Igniter	
2	M406936	Igniter Bracket	
3	M406880	Instant Electronic Ignition Harness	
4	M414477	Cover	
5	M400664	Screw, Phillips Head	
6	M402797	Screw	
7	M401404	Thermostat, Burner High Limit	Energy Saver Models
	M409433	Thermostat, Burner High Limit	Standard Models
8	M403824	Harness	
9	M406789	Instant Electronic Ignition Control	
10	M405919	Burner	Prior to Serial No. TTCK0724702ZF
	M410541	Burner	Starting With Serial No. TTCK0724702ZF
11	M400605	Anti-Torque Ring	
12	M405945	Bracket	Prior to Serial No. TTCK0724702ZF
	M406814	Bracket	Starting With Serial No. TTCK0724702ZF
13	M411134	Gas Valve Coil	
14	M400749	Gas Supply Pipe	
15	M406455	Shut-Off Valve	
16	M401550	Plug	
17	M401549	Nut	
18	M409153	Gas Valve - L.P. Gas	
	M409152	Gas Valve - Natural Gas	
19	M401548	Union Nut	
20	M406681	Nipple	
21	M403163	Manifold	Prior to Serial No. TTCK0724702ZF
	M410546	Manifold	Starting With Serial No. TTCK0724702ZF
22		Burner Orifice	Refer to Table on page 108
23	M406788	High Voltage Lead	
REF	M4377P3	L.P. Conversion Kit	CG Models
REF	M4378P3	L.P. Conversion Kit	EG Models

Gas Valve Assembly for Dungs/B-M System

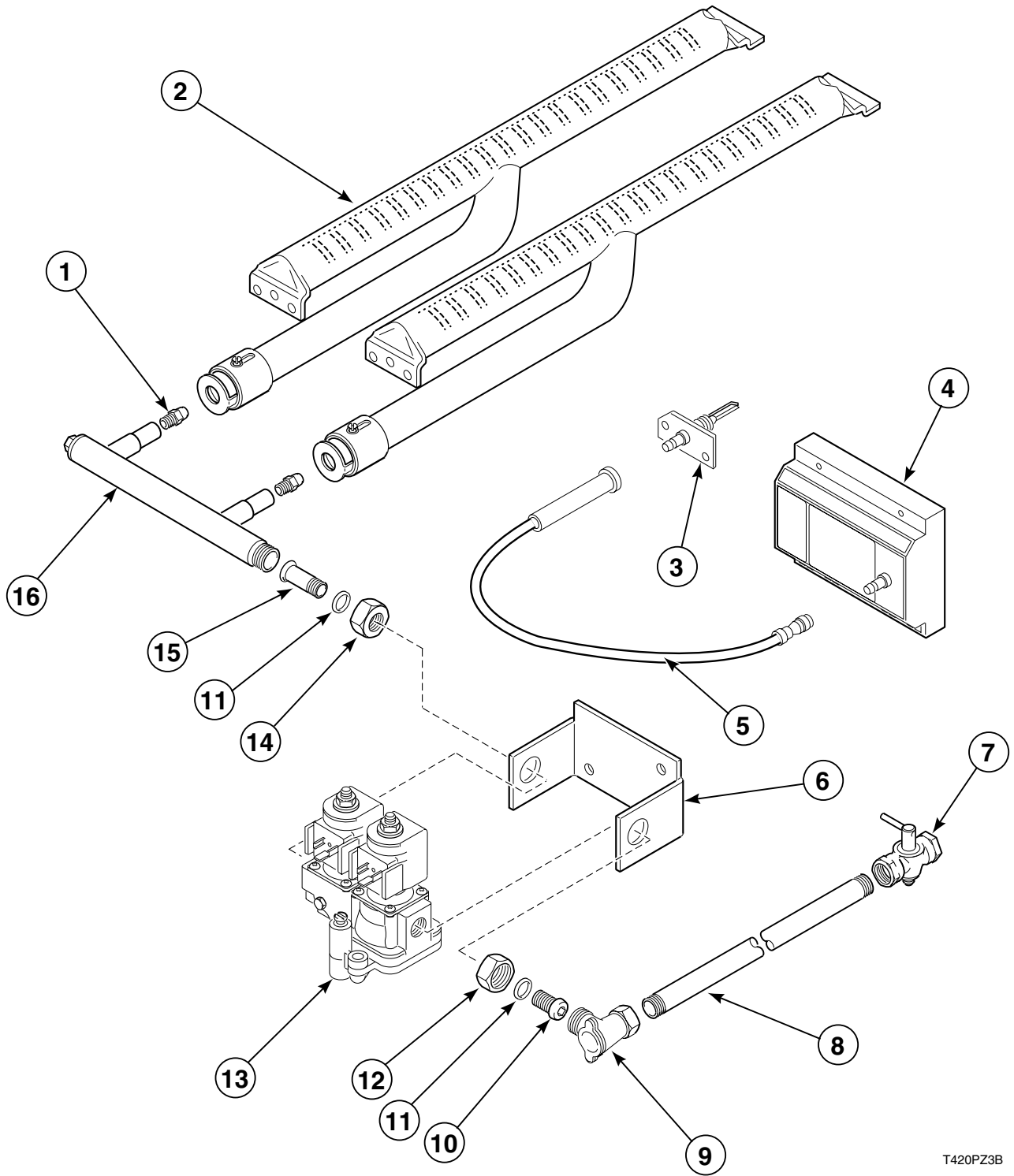


T419PZ3B

Gas Valve Assembly for Dungs/B-M System

REF	PART #	DESCRIPTION	COMMENTS
1		Injector	Refer to Table on page 109
2	M410541	Burner, Gas	
3	M412549	Control, Ignition	
4	M406934	Igniter, Spark	
5	M412571	Cable, Ignition	
6	M412552	Bracket, Gas Valve	
7	M412562	Valve, Gas Shut Off	
8	M400749	Pipe, Gas Supply	
9	H86070034	Elbow, Pipe	
10	M412568	Assembly, Flange with Gasket	
11	M411982	Valve, Gas	
12	M412464	Holder, Spud	

Channel/Johnson Gas System

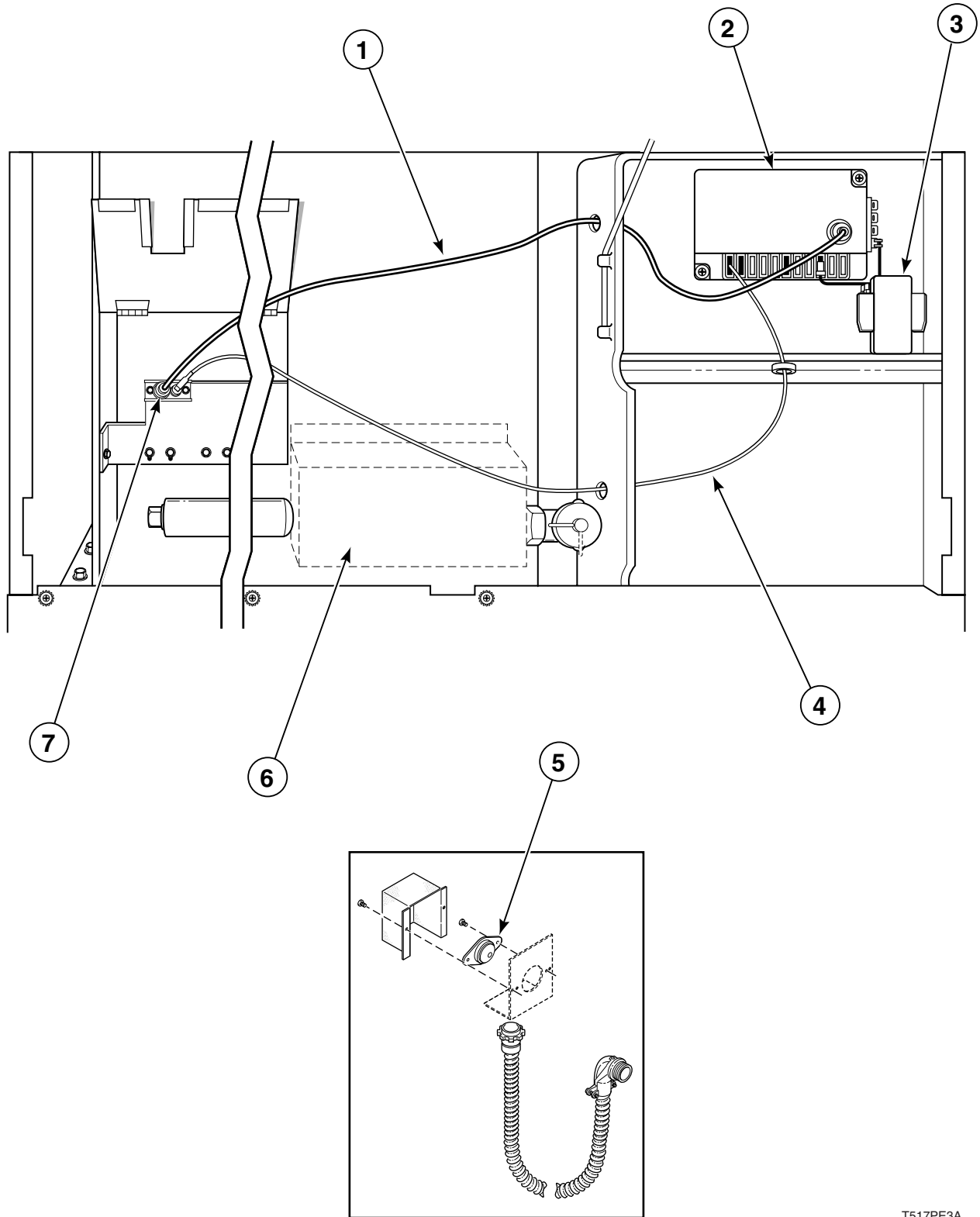


T420PZ3B

Channel/Johnson Gas System

REF	PART #	DESCRIPTION	COMMENTS
1		Orifice	Refer to Table on page 109
2	M410541	Burner, Gas	
3	M406934	Igniter, Spark	
4	M413433	Control, Ignition	
5	M406881	Cable, Ignition	
6	M406814	Bracket, Gas Valve	
7	M412562	Valve, Gas Shut Off	
8	M400749	Pipe, Gas Supply	
9	H86070034	Elbow, Pipe	
10	M413348	Piece, Tail	
11	M400605	Ring, Anti Torque	
12	M401549	Nut	
13	M413332	Valve, Gas	
14	M401548	Nut	
15	M413396	Pipe, Manifold	
16	M410546	Holder, Spud	
REF	M413431	Switch, Ignition Reset (Lighted)	
	M410220	Stove High Limit Thermostat (Manual Reset)	Not Shown

Burner Assembly for Australian Models

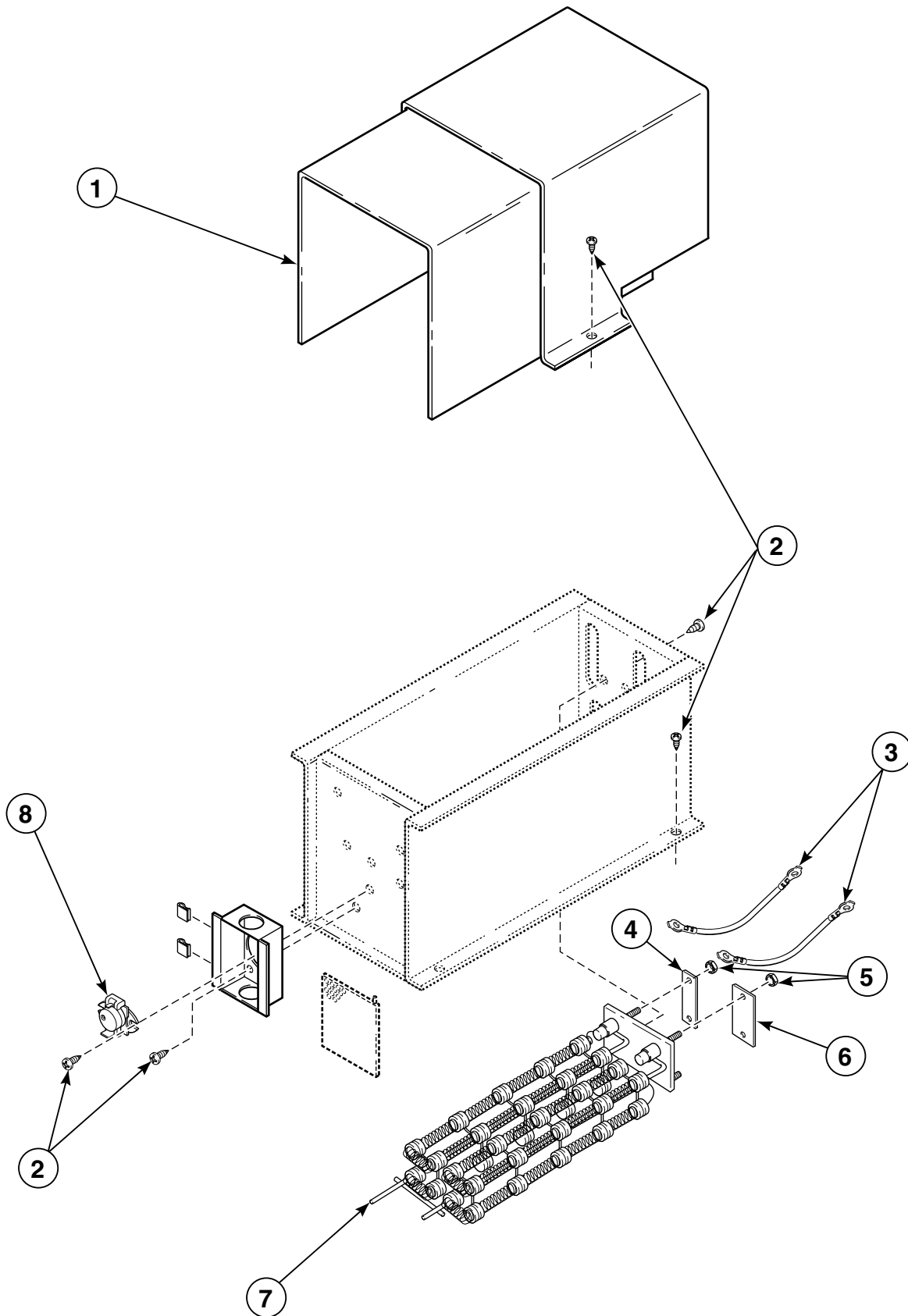


T517PE3A

Burner Assembly for Australian Models

REF	PART #	DESCRIPTION	COMMENTS
1	M410990	High Voltage Lead	
2	M410904	Instant Electronic Ignition Control	
3	M411066	Transformer	
4	M411138	Sensor Jumper Wire	
5	M411942	Stove High Limit Thermostat	
6	M410907	Gas Valve	Natural Gas
	M410908	Gas Valve	L.P. (Propane) Gas
7	M410905	Spark Igniter Assembly	

Electric Heater Assembly



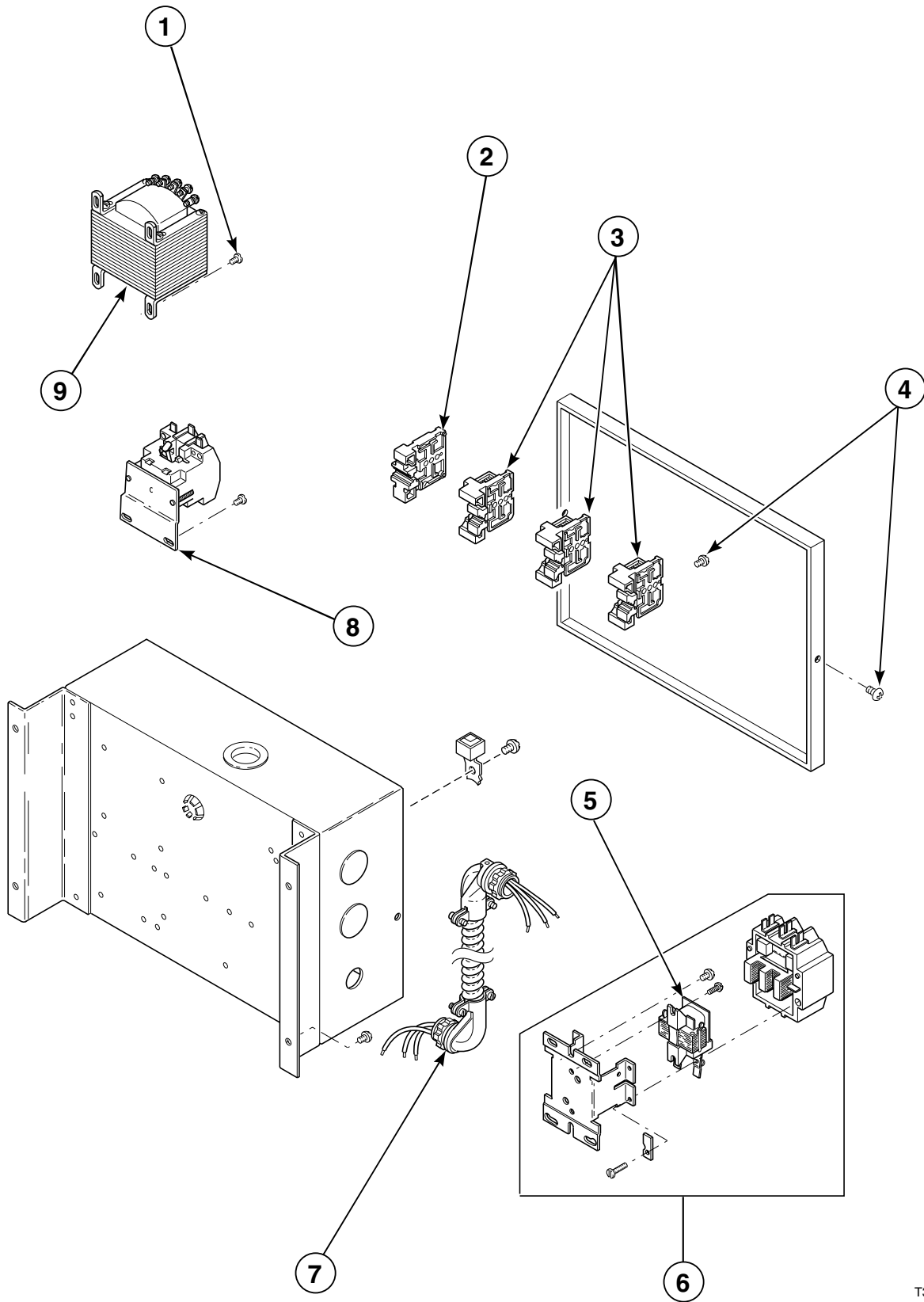
T044PZ3D

Electric Heater Assembly

REF	PART #	DESCRIPTION	COMMENTS
1	M401159	Hood Assembly	
2	M400664	Screw, Phillips Head	
3	M401276	Heater Wires - 6 Required	208-240 Volt, 50-60 Hertz, 1 or 3 Phase
	M401276	Heater Wires - 3 Required	480 Volt, 50-60 Hertz, 3 Phase
	M403743	Heater Wire - 1 Required	480 Volt, 50-60 Hertz, 3 Phase
4	M400866	Buss Bar	21 KW, 480 Volt, 60 Hertz, 3 Phase: 2 Required
5	70054	Nut	
6	M400869	Buss Bar	21 KW, 208-240 Volt, 60 Hertz, 1 or 3 Phase: 6 Required 21 KW, 480 Volt, 60 Hertz, 3 Phase: 3 Required
7	M405230	Heater Elements (3 Per Tumbler)	7 KW, 208 Volt, 60 Hertz, 1 or 3 Phase
	M405253	Heater Elements (3 Per Tumbler)	7 KW, 240 Volt, 50-60 Hertz, 1 or 3 Phase 7 KW, 480 Volt, 50-60 Hertz, 3 Phase
	M405252	Heater Element	7 KW, 220 Volt (For 380 Volt Tumblers)
8	M4347P3	Thermostat, High Limit	Flat Faced
	M405943	Thermostat, High Limit	Raised Face

Electrical Contactor Box Assembly

Models Before 9408



T303PZ3A

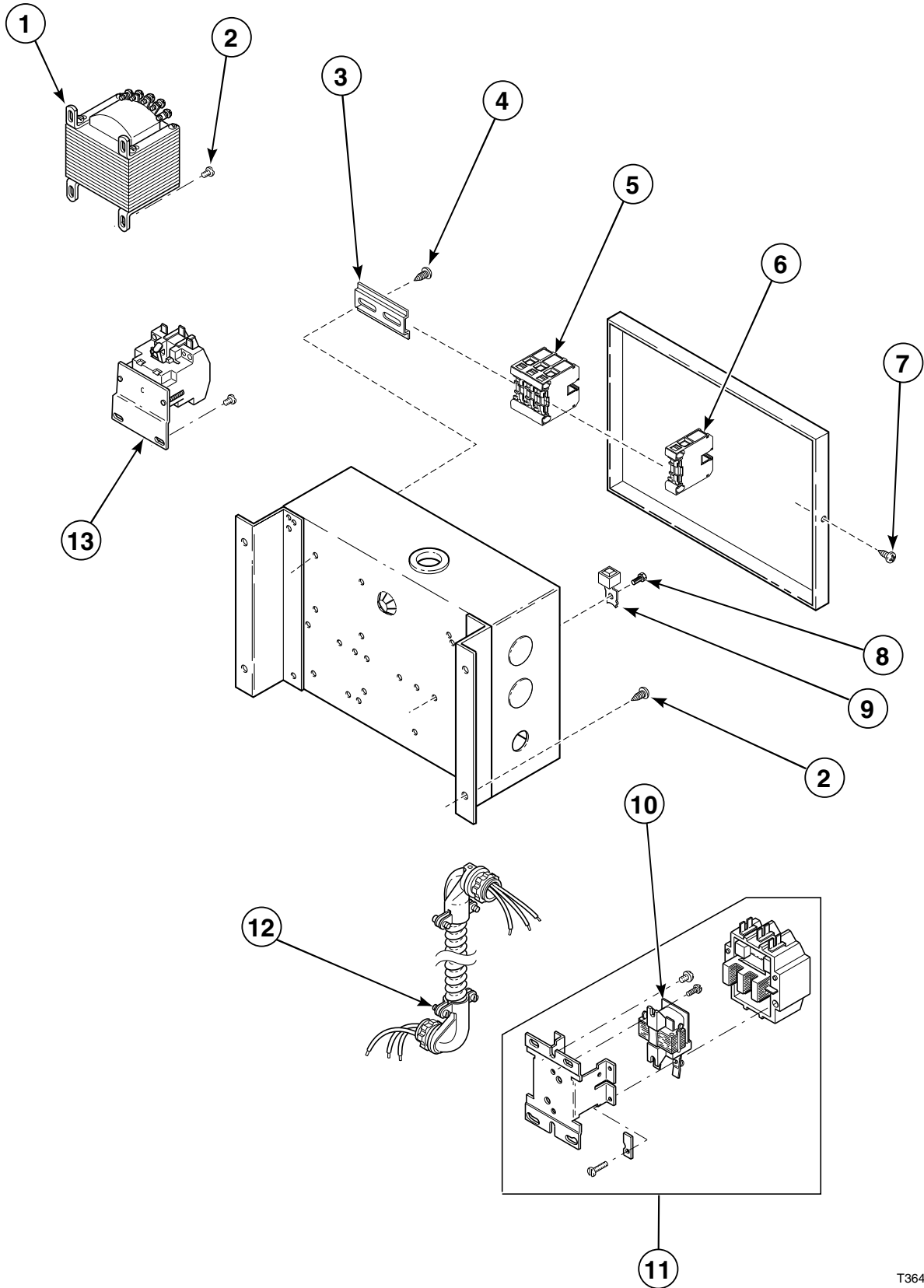
Electrical Contactor Box Assembly

Models Before 9408

REF	PART #	DESCRIPTION	COMMENTS
1	51780	Screw	
2	M400681	End Piece	208/240 Volt, 1 & 3 Phase
	M402091	End Piece	480 Volt, 3 Phase
3	M400685	Terminal Block	208/240 Volt, 1 Phase: 2 Required 208/240 Volt, 3 Phase: 3 Required
4	M400664	Screw, Phillips Head	
5	M400914	Coil	208/240 Volt (120 Volt Not Available, Order Contactor M405116)
6	M405116	Heater Contactor	120 Volt Control Circuit
	M400904	Heater Contactor	208/240 Volt Control Circuit - 2 Required
7		Wire Harness	Refer to Table on page 110
8	M400910	Motor Contactor	480/240 Volt Control Circuit
	M400913	Motor Contactor	480/120 Volt Control Circuit
9	M401391	Transformer	480 Volt Only
REF	M412116	Wires (Contactor to Terminal Block)	208/240 Volt, 1 or 3 Phase: 6 Required 380-415-480 Volt, 3 Phase: 3 Required

Electrical Contactor Box Assembly

Models Manufactured After 9408



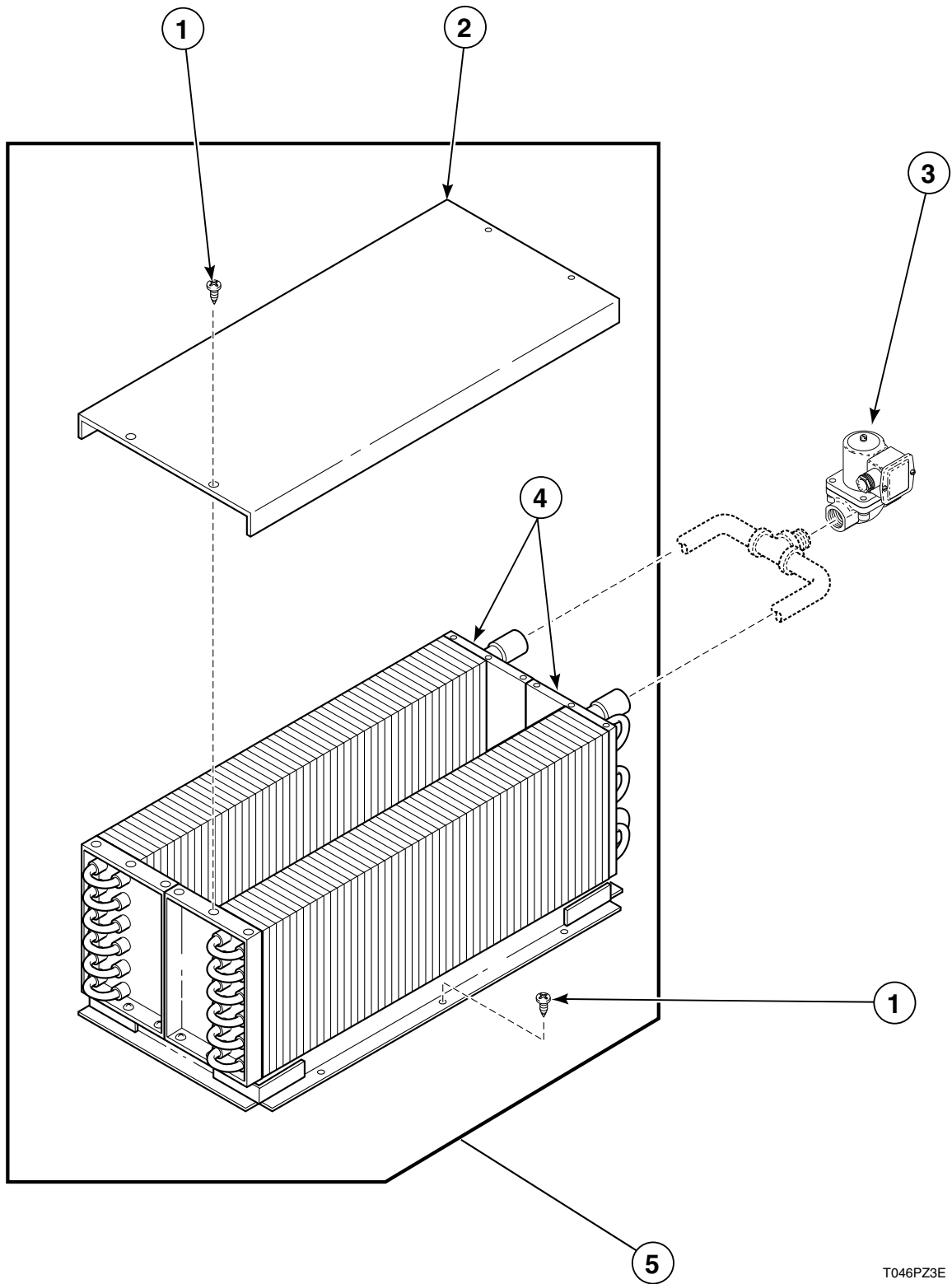
T364PZ3B

Electrical Contactor Box Assembly

Models Manufactured After 9408

REF	PART #	DESCRIPTION	COMMENTS
1	M401391	Transformer	480 Volt Only
2	51780	Screw	
3	M412106	Din Rail	
4	430497	Screw	Two
5	M412045	Terminal Block	
6	M412042	Terminal Block	Use Only on 380-415 Volt, 50 Hertz, 3 Phase Tumblers
7	M400664	Screw, Phillips Head	
8	M402917	Ground Screw	
9	M411283	Ground Lug	
10	M400914	Coil	208/240 Volt (120 Volt Not Available, Order Contactor M405116)
11	M405116	Heater Contactor	120 Volt Control Circuit
	M400904	Heater Contactor	208/240 Volt Control Circuit
12		Wire Harness	Refer to Table on page 110
13	M400910	Motor Contactor	480/240 Volt Control Circuit
	M400913	Motor Contactor	480/120 Volt Control Circuit
REF	M412116	Wires (Contactor to Terminal Block)	208/240 Volt, 1 or 3 Phase: 6 Required 380-415-480 Volt, 3 Phase: 3 Required

Steam Heater and Valve Assembly (Danfoss)

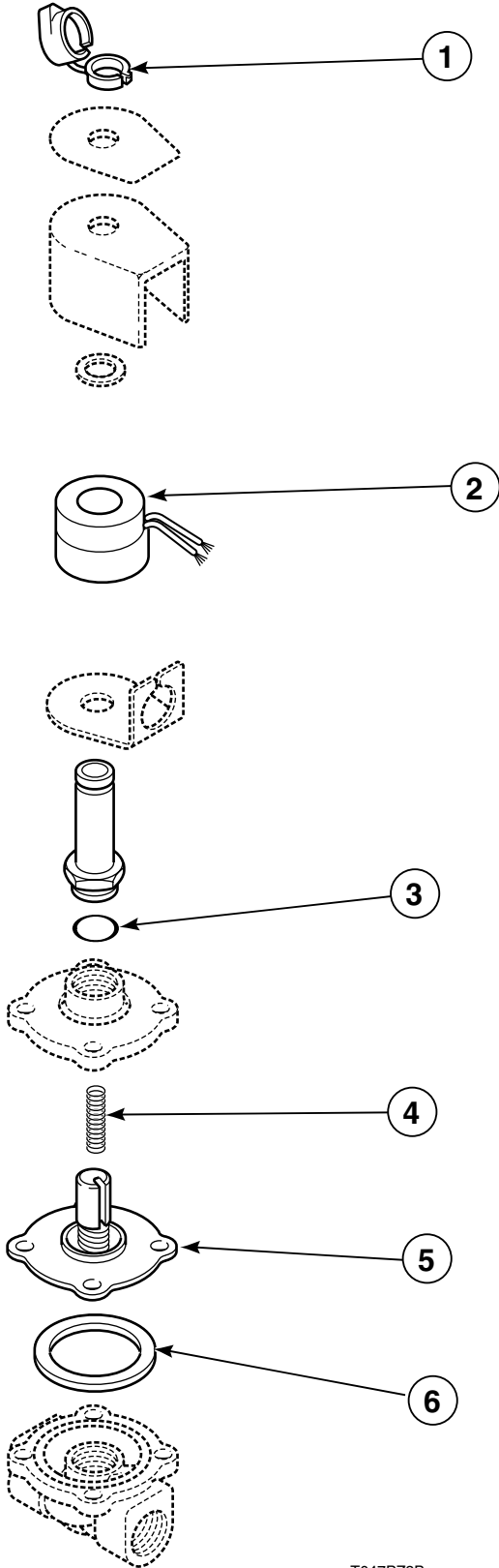


T046PZ3E

Steam Heater and Valve Assembly (Danfoss)

REF	PART #	DESCRIPTION	COMMENTS
1	M400664	Screw, Phillips Head	
2	M400828	Cover	
3	M412241	Steam Valve - 24 Volt, 50 Hertz	DC, JC, and SC Models
	M413295	Steam Valve - 120 Volt, 60 Hertz	
	M413297	Steam Valve - 208/240 Volt, 60 Hertz	
	M413298	Steam Valve - 208/240 Volt, 50 Hertz	
	M413446	Steam Valve - 24 Volt 60 Hertz	OM Models
4	M400636	Steam Coil	
5	M400455	Assembly, Steam Heater	
REF	M412258	Steam Valve Coil	For Valve M412241
	M413300	Steam Valve Coil	For Valve M413296
	M413301	Steam Valve Coil	For Valve M413297
	M413302	Steam Valve Coil	For Valve M413298
	M413451	Steam Valve Coil	For Valve M413446
	M412257	Repair Kit	

Solenoid Steam Valve Breakdown (Asco)



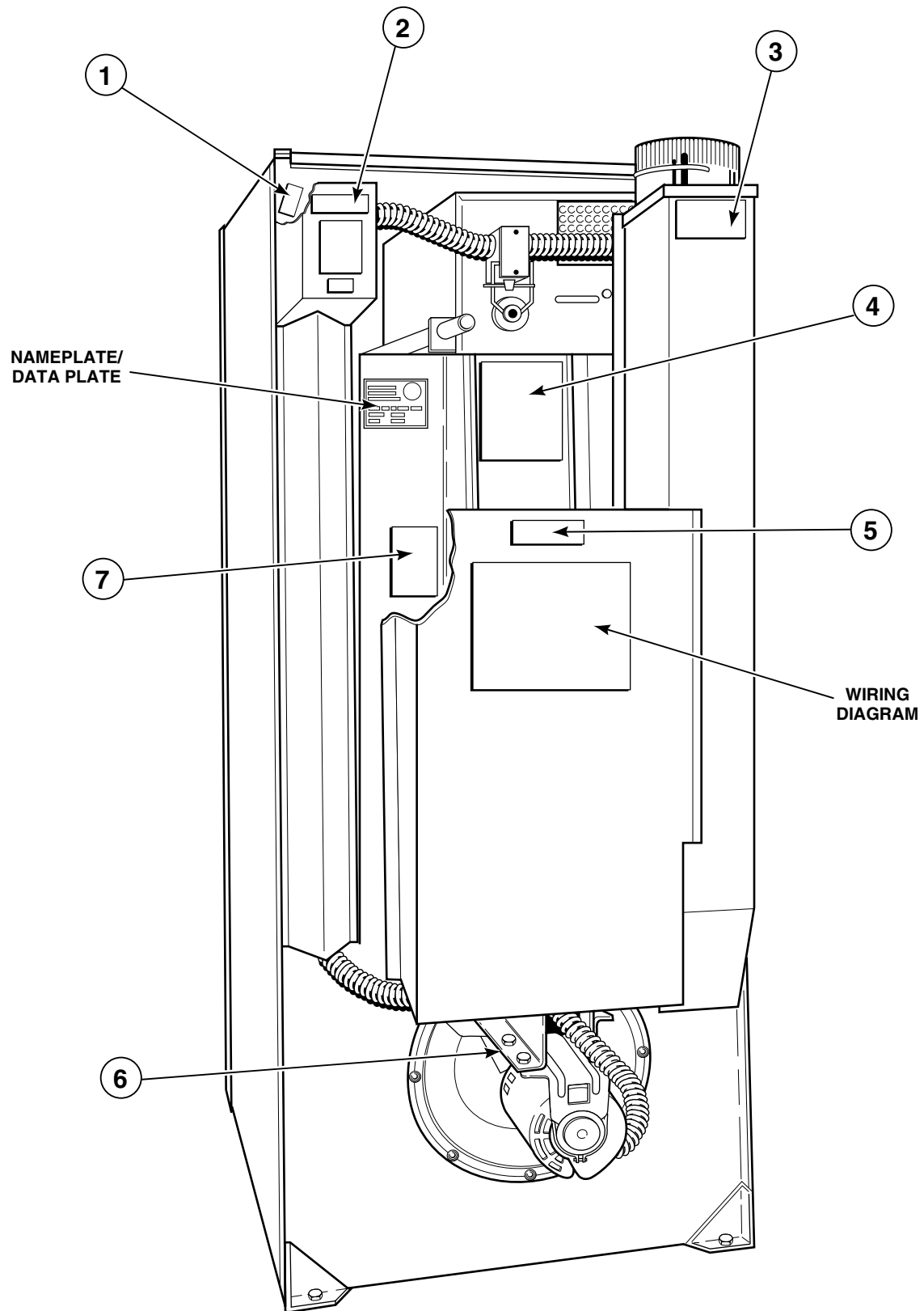
T047PZ3B

Solenoid Steam Valve Breakdown (Asco)

REF	PART #	DESCRIPTION	COMMENTS
1		Retaining Cap	Included in Repair Kit
2	M401380	Replacement Coil - 120 Volt	(80-100 PSIG)
	M401381	Replacement Coil - 208/240 Volt	(80-100 PSIG)
	M401383	Replacement Coil - 208/240 Volt	(10-15 PSIG)
	M412258	Solenoid Coil - 24 Volt, 50 Hertz	DC, JC, and SC Models
3		Bonnet Gasket	Included in Repair Kit
4		Core Spring	Included in Repair Kit
5		Sub-Assembly, Diaphragm Core	Included in Repair Kit
6		Body Gasket	Included in Repair Kit
REF	M410699	Repair Kit	High Pressure No. 304669
	M410698	Repair Kit	Low Pressure No. 304031
	M400152	Repair Kit	High Pressure No. 101792
	M401384	Repair Kit	Low Pressure No. 158959

Warning Decals

Rear of Tumbler



T232PZ3C

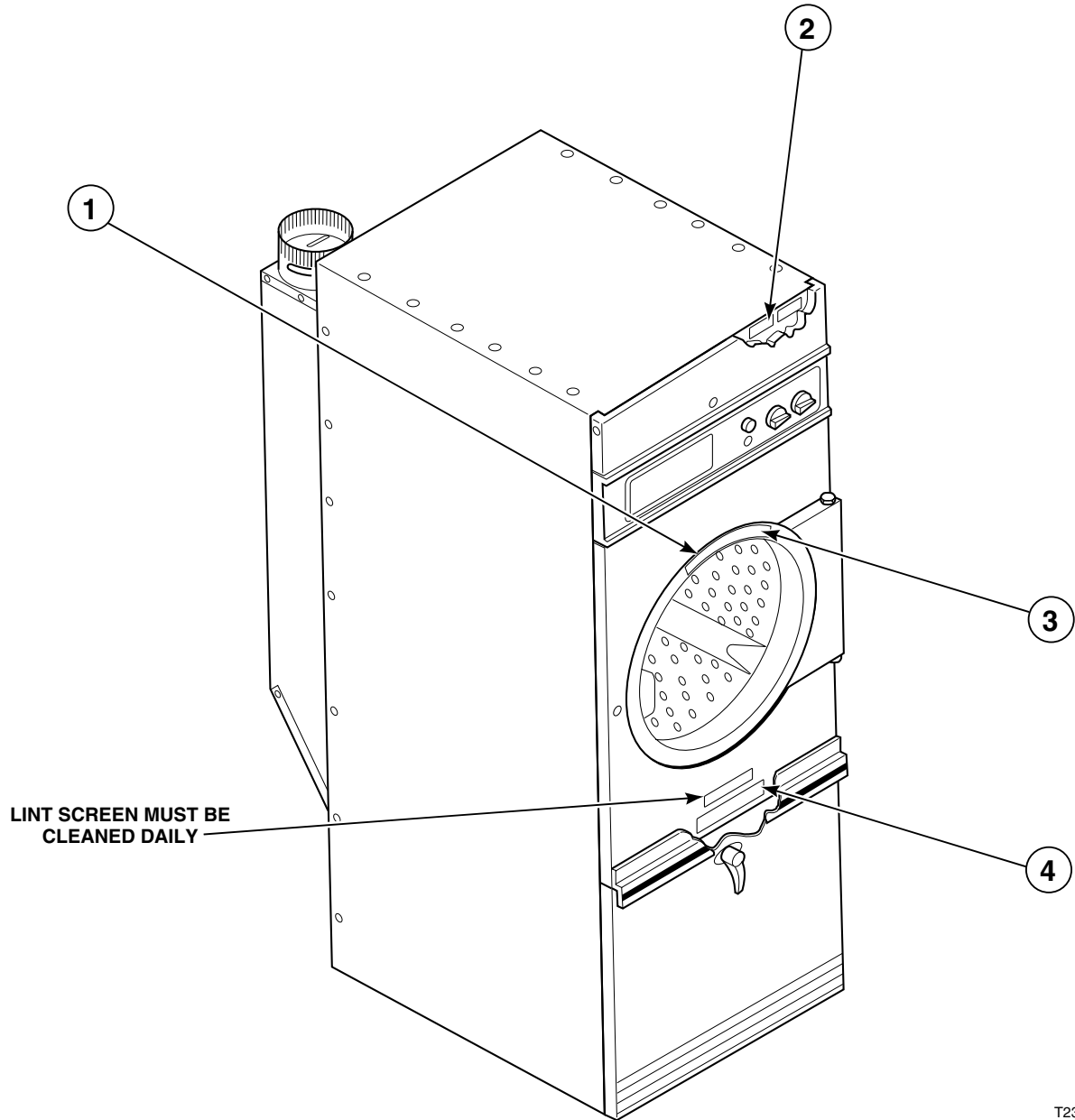
Warning Decals

Rear of Tumbler

REF	PART #	DESCRIPTION	COMMENTS
1	M403047	Secure Ground Wire to Ground Screw	
2	500316	WARNING: Disconnect Power	
3	M411815	CAUTION: Exhaust Vent	
4	M403153	Diagram: Clearance to Combustibles	
5	M410083	WARNING: To Operate Machine Safely Chain Guard Must Be In Place	
6	430377	WARNING: Do Not Operate Without Guards In Place	
7	M410082	WARNING: You Are Exposed to Moving Parts. Do Not Operate Without Guards in Place.	

Warning Decals

Front of Tumbler



T230PZ3A

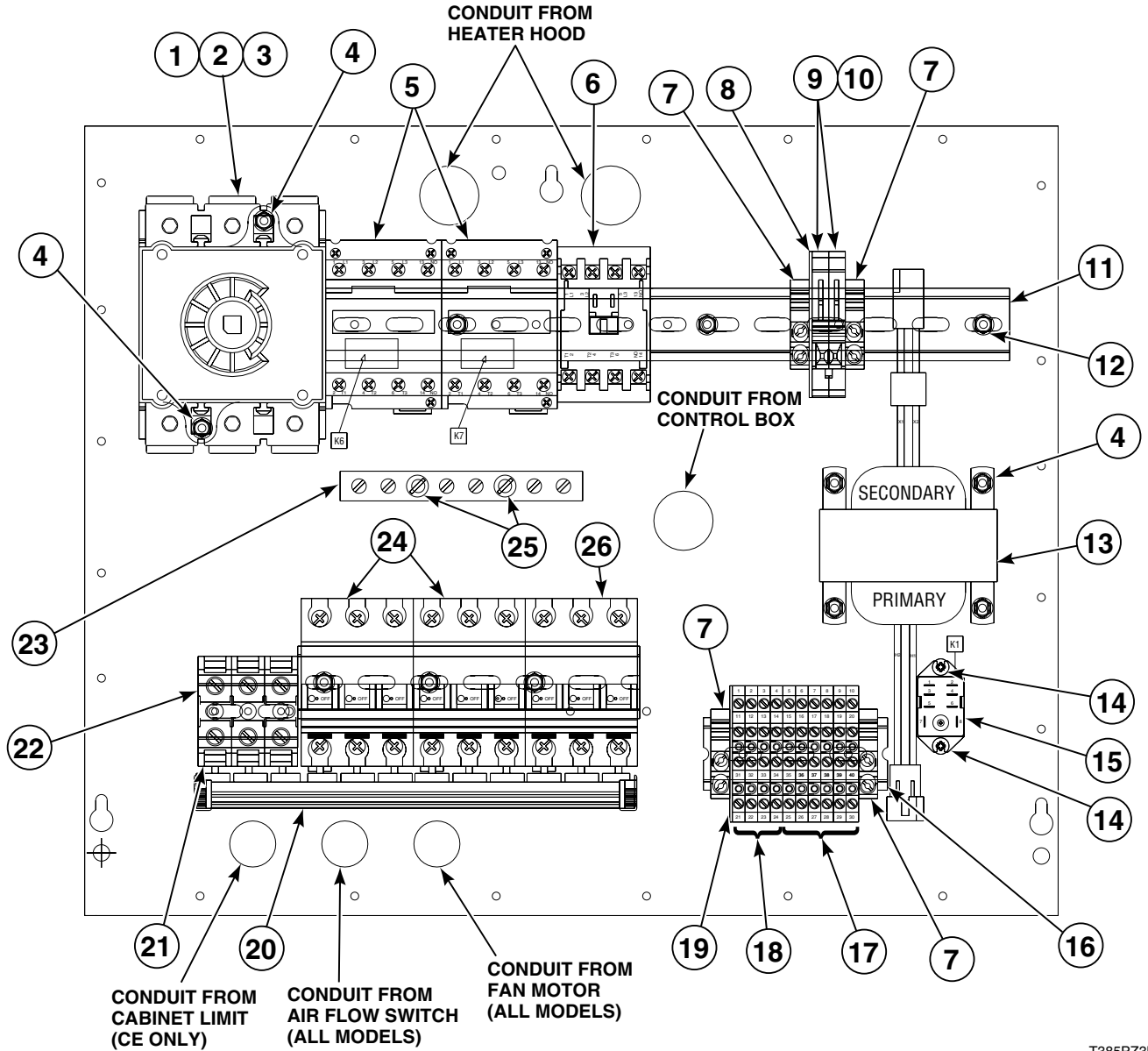
Warning Decals

Front of Tumbler

REF	PART #	DESCRIPTION	COMMENTS
1	M411088	WARNING: Control Panel	Electric and Steam Models
2	500316	WARNING: Disconnect Power	
3	M410892	WARNING: Control Panel	Gas Models
4	M411087	WARNING: Lint Screen	

Contactor Box Assembly for Electric Manual Timer & Coin Drop Models

230 Volt, 50 Hertz, 3 Phase



T385PZ3B

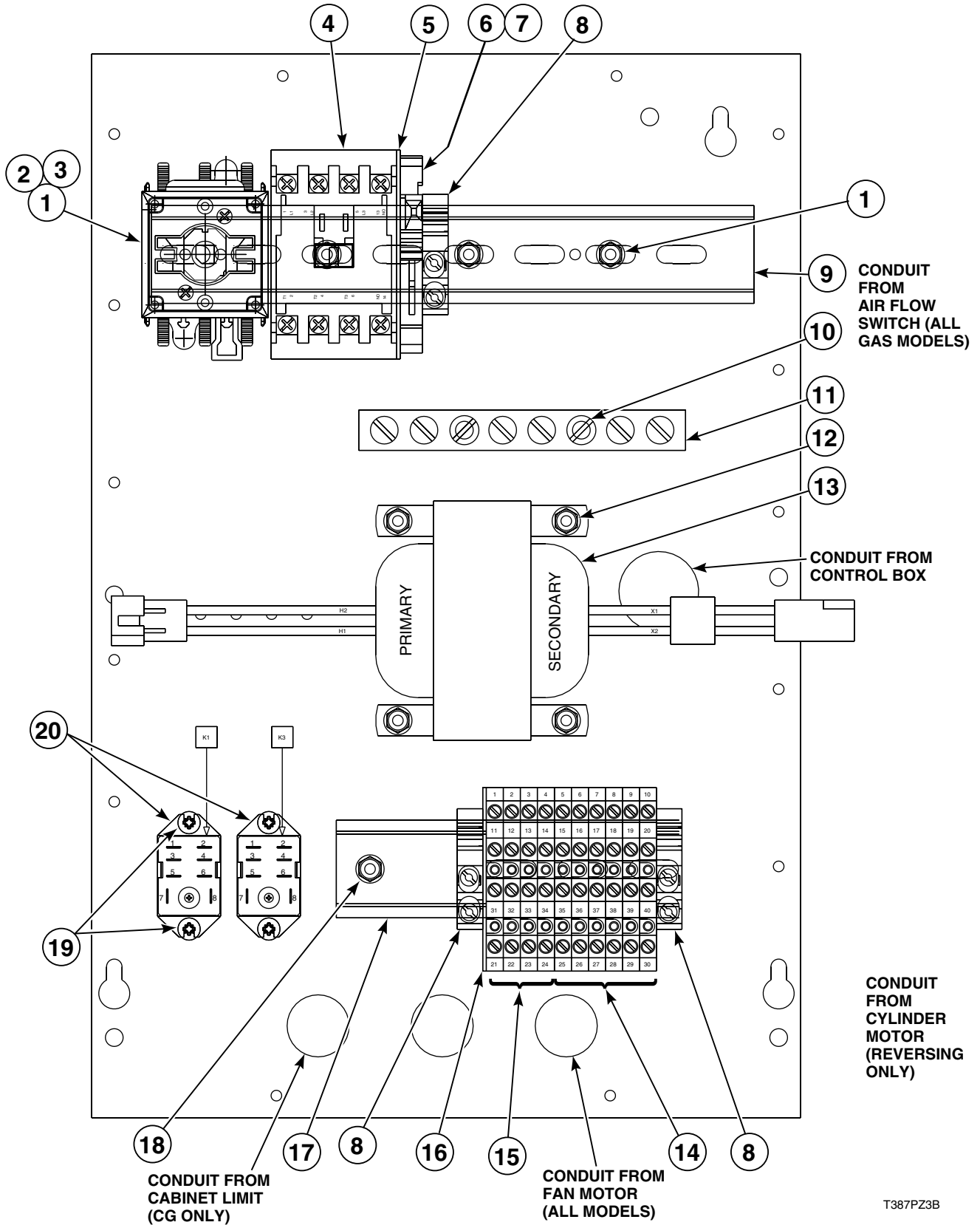
Contactor Box Assembly for Electric Manual Timer & Coin Drop Models

230 Volt, 50 Hertz, 3 Phase

REF	PART #	DESCRIPTION	COMMENTS
1	M412186	Base, Mounting Switch 100 Amp	Includes 2 Terminal Blocks
2	M412367	Guard, Finger 100 Amp	
3	M412371	Handle	Includes 2 Screws
4	33562	Screw	
5	M412403	Contactor, Electric 50 Amp	
6	M412404	Contactor, Motor 9 Amp	
7	M412539	End Stop 230 Volt	
8	M412540	End Section 230 Volt	
9	M412537	Fuse Holder, 230 Volt Primary	
10	502593	Fuse, 250Volt /.4 Amp	
11	M412691	Din Rail, 350.2 mm	
12	51780	Screw, Hex Washer Head	
13	M412477	Transformer, 240 Volt	
14	501086	Screw, Hex Head	Dual Timer Models
15	M412534	Relay, 24 Volt, 50-60 Hertz, 1 Phase	Dual Timer Models
16	M412692	Din Rail, 88.9 mm	
17	M412631	Terminal Block, 2 Circuit	
18	M412632	Terminal Block, 1 Circuit	
19	M412633	End Barrier	
20	M412757	Buss Bar, 12 Position	
21	M412045	Terminal Block, 3 Pole	
22	M412694	Din Rail, 48.3 mm	
23	M412656	Ground Buss	
24	M412406	Circuit Breaker, 3 Pole 40 Amp	
25	M412688	Nut, Hex	
26	M412407	Circuit Breaker, 3 Pole 8 Amp	
REF	M412776	Harness, Relay	Dual Timer Models
	M412777	Harness, Relay	Coin Operated Models
	M412641	Harness, Transformer- Secondary	
	M412642	Harness, Transformer- Primary	
	M412871	Jumper Wire, 240 Volt, 3 Phase	

Contactor Box Assembly for Gas Manual Timer Models

230 Volt, 50 Hertz, 1 Phase



T387PZ3B

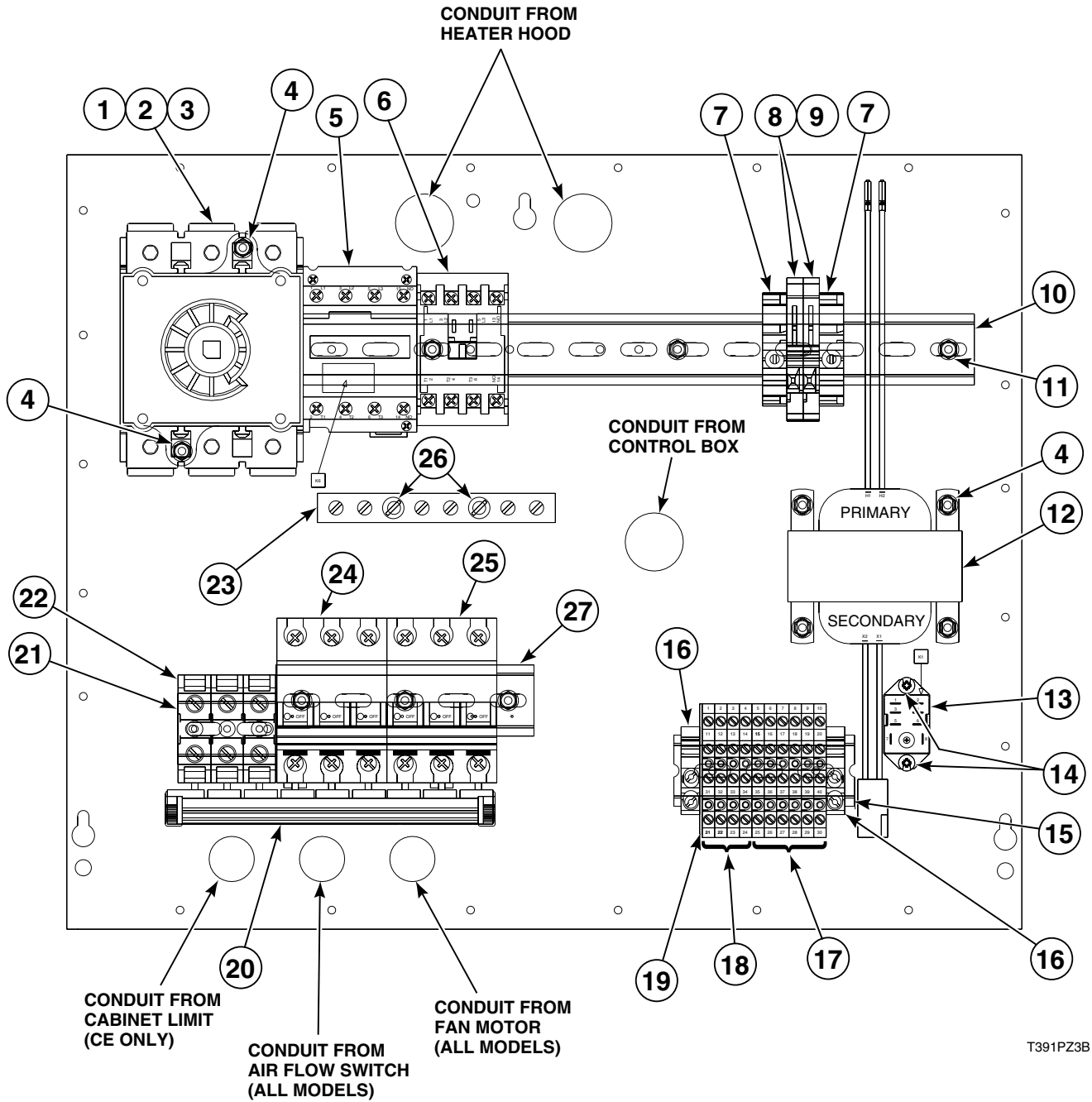
Contactor Box Assembly for Gas Manual Timer Models

230 Volt, 50 Hertz, 1 Phase

REF	PART #	DESCRIPTION	COMMENTS
1	M412187	Base, Mounting Switch, 20 Amp	Includes 2 Terminal Blocks
2	M412366	Guard, Finger 20 Amp	
3	M412370	Handle	Includes 2 Screws
4	M412404	Contactor, Motor - 9 Amp	
5	M412540	Section, End	
6	M412537	Holder, Fuse- 230 Volt Primary	
7	502593	Fuse	
8	M412539	Stop, End- 230 Volt	
9	M412689	Rail, Din 215.9 mm	
10	M412688	Nut, Hex #12-24	
11	M412656	Buss, Ground	
12	33562	Screw	
13	M412477	Transformer, 230 Volt	
14	M412631	Block, Terminal - 2 Circuit	
15	M412632	Block, Terminal - 1 Circuit	
16	M412633	Barrier, End	
17	M412772	Rail, Din 127 mm	
18	51780	Screw, 10B-16 X 1/4 Hex Washer Head	
19	501086	Screw, 8B-18 X 3/8 Ind Hex Head	
20	M412534	I Relay, 24 Volt, 50-60 Hertz, 1 Phase	
REF	M412636	Harness, Relay (K1, K2, K3)	Manual Timer Gas Models
	M412641	Harness, Transformer- Secondary	
	M412642	Harness, Transformer - Primary 240 Volt	
	M412644	Assembly, Harness Jumper 240 Volt Junction Box	

Contactor Box Assembly for Electric MT & CD Models

400 Volt 50 Hertz and 3 Phase



T391PZ3B

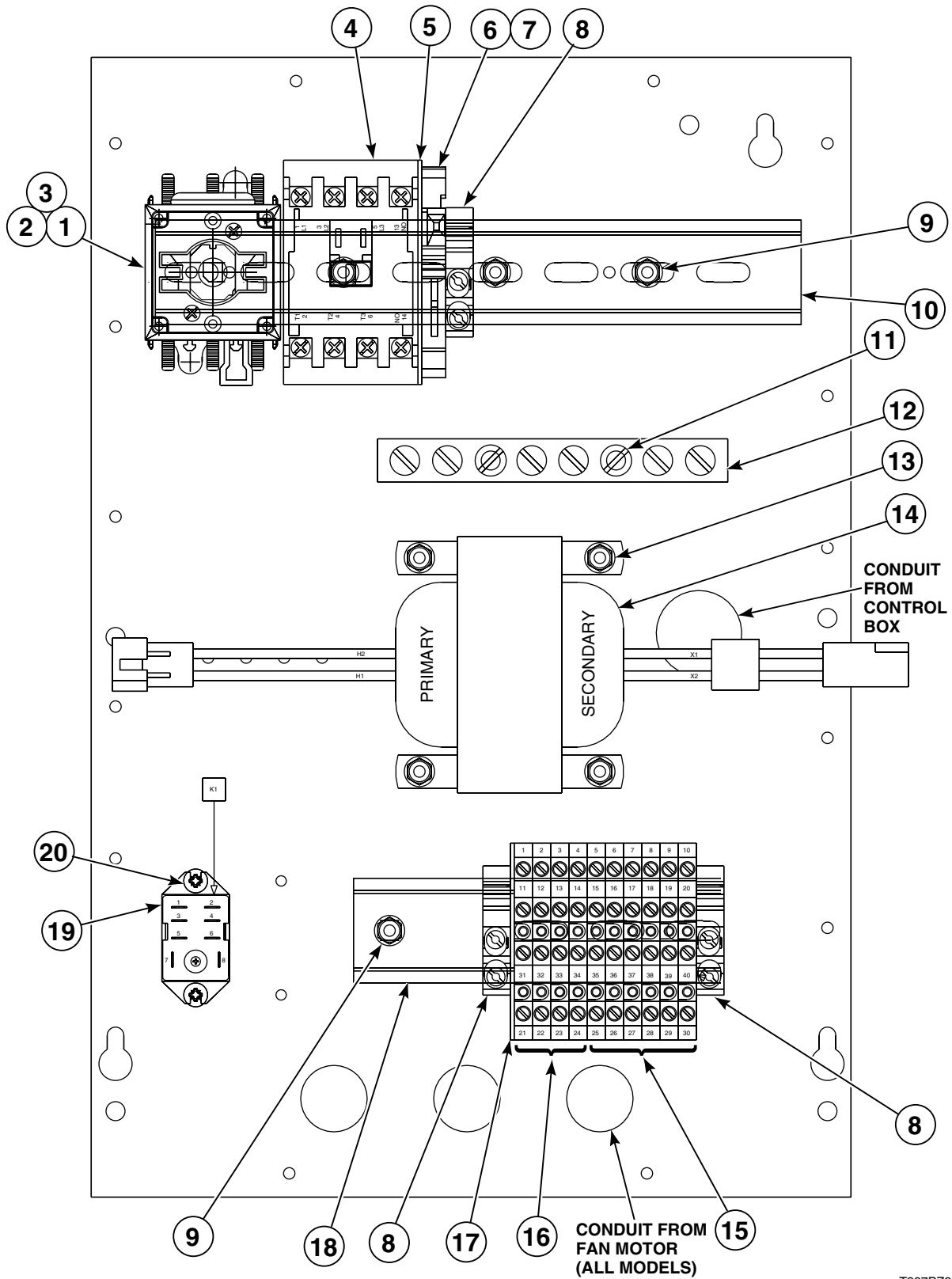
Contactor Box Assembly for Electric MT & CD Models

400 Volt 50 Hertz and 3 Phase

REF	PART #	DESCRIPTION	COMMENTS
1	M412186	Base, Mounting Switch 100 Amp	Includes 2 Terminal Blocks
2	M412367	Guard, Finger 100 Amp	
3	M412371	Handle	Includes 2 Screws
4	33562	Screw, 10B-16 X 7/16 Ser. Hx Wa	
5	M412403	Contactor, Electric 50 Amp	
6	M412404	Contactor, Motor 9 Amp	
7	M412615	End Stop 400 Volt	
8	M412538	Fuse Holder, 400 Volt Primary	
9	M412996	Fuse	
10	M412691	Din Rail, 330.2 mm	
11	51780	Screw, 10B-16 X 1/4 Hex Washer Head	
12	M412412	Transformer, 400 Volt	
13	M412534	Relay, 24V/50-60 HZ/1Phase	Dual Timer Models
14	501086	Screw	Dual Timer Models
15	M412692	Din Rail, 88.9 mm	
16	M412539	End Stop 230V	
17	M412631	Terminal Block, 2 Circuit	
18	M412632	Terminal Block, 1 Circuit	
19	M412633	End Barrier	
20	M412756	Comb Buss Bar, 9 Position	
21	M412694	Din Rail, 48.3 mm	
22	M412045	Terminal Block, 3 Pole	
23	M412656	Ground Buss	
24	M412406	Circuit Breaker, 3Pole 40 Amp	CE Models
25	M412407	Circuit Breaker, 3Pole 8 Amp	
26	M412688	Nut, Hex #12-24	
27	M412693	Din Rail, 165.1 mm	
REF	M412766	Harness, Relay Elec MT/HV	Dual Timer Models
	M412775	Harness, Relay Elec CD/HV	Coin Operated Models
	M412641	Harness, Transformer - Secondary	
	M412803	Jumper Wire, 400 Volt/3Phase C.Box	

Contactor Box Assembly for Steam Manual Timer Models

230 Volt 50 Hertz and 1 Phase



T397PZ3B

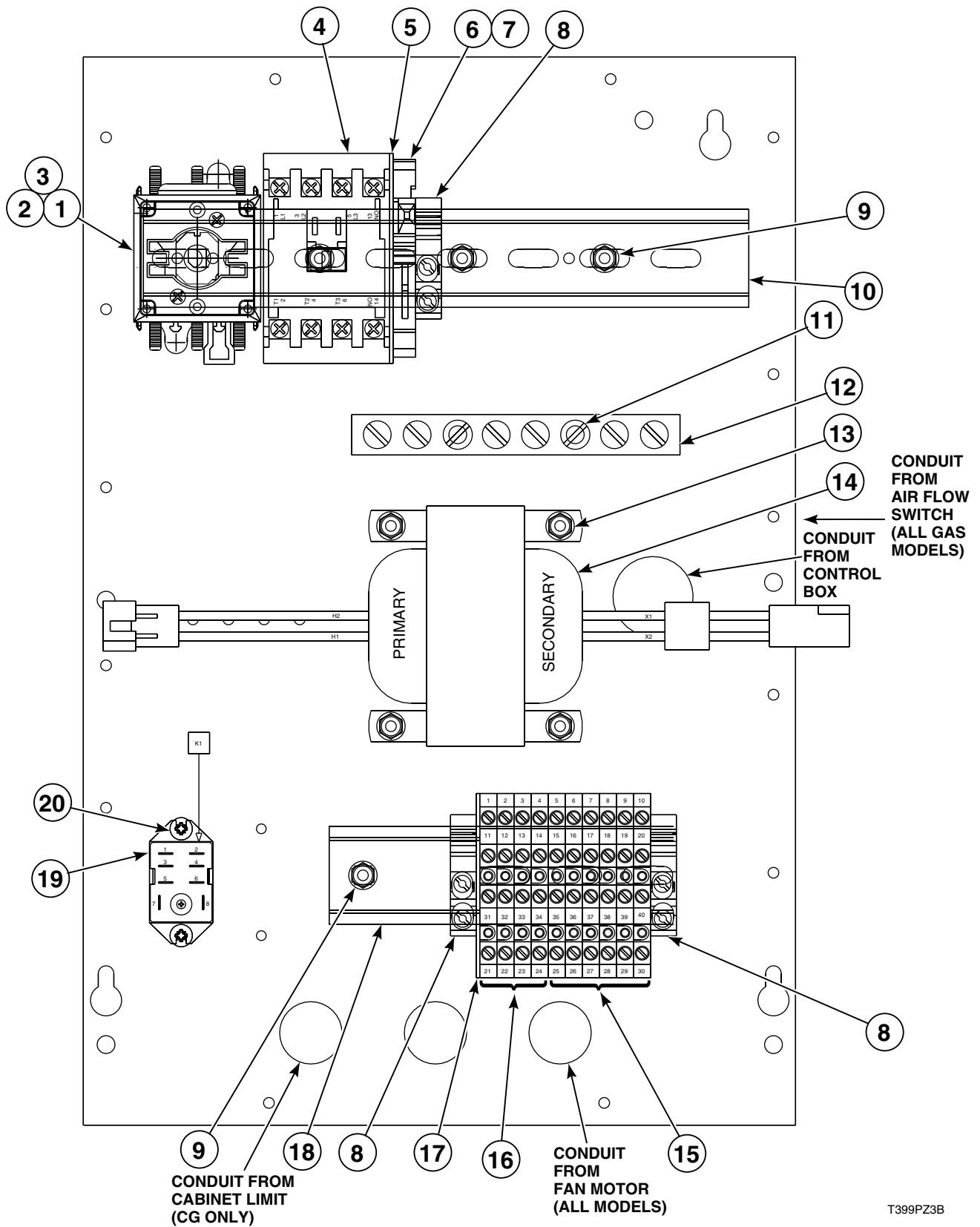
Contactor Box Assembly for Steam Manual Timer Models

230 Volt 50 Hertz and 1 Phase

REF	PART #	DESCRIPTION	COMMENTS
1	M412370	Handle	Includes 2 Screws
2	M412366	Guard, Finger 20 Amp	
3	M412187	Base, Mounting Switch 20 Amp	Includes 2 Terminal Blocks
4	M412404	Contactor, Motor - 9 Amp	
5	M412540	Section, End	
6	M412537	Holder, Fuse - 230 Volt Primary	
7	502593	Fuse	
8	M412539	Stop, End-230 Volt	
9	51780	Screw, Hex Washer Head	
10	M412689	Rail, Din 215.9 mm	
11	M412688	Nut, Hex #12-24	
12	M412656	Buss, Ground	
13	33562	Screw	
14	M412477	Transformer, 230 Volt	
15	M412631	Block, Terminal - 2 Circuit	
16	M412632	Block, Terminal - 1 Circuit	
17	M412633	Barrier, End	
18	M412772	Rail, Din 127 mm	
19	M412534	Relay, 24 Volt, 50-60 Hertz, 1 Phase	
20	501086	Screw, Hex Head	
REF	M412707	Harness, Relay (K1, K2) Steam- MT	
	M412641	Harness, Transformer - Secondary	
	M412642	Assembly, Harness Primary 240 Volt	
	M412644	Assembly, Harness Jumper 240 Volt Junction Box	

Contactor Box Assembly for Gas Coin Drop Models

230 Volt, 50 Hertz, 1 Phase



T399PZ3B

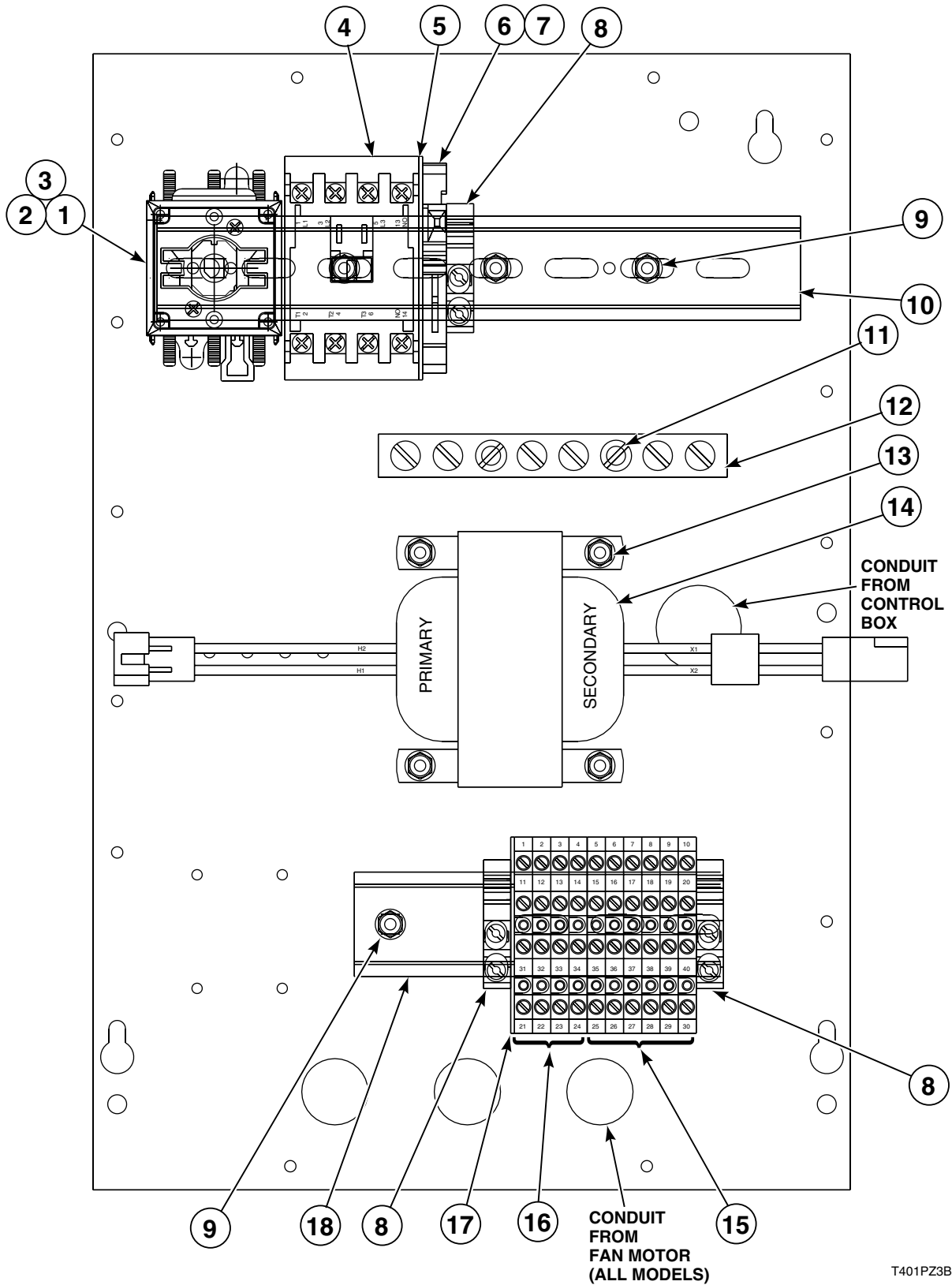
Contactor Box Assembly for Gas Coin Drop Models

230 Volt, 50 Hertz, 1 Phase

REF	PART #	DESCRIPTION	COMMENTS
1	M412370	Handle	Includes 2 Screws
2	M412366	Guard, Finger 20 Amp	
3	M412187	Base, Mounting Switch 20 Amp	Includes 2 Terminal Blocks
4	M412404	Contactor, Motor - 9 Amp	
5	M412540	Section, End	
6	M412537	Holder, Fuse - 230 Volt Primary	
7	502593	Fuse	
8	M412539	Stop, End-230 Volt	
9	51780	Screw, 10B-16 X 1/4 Hex Washer Head	
10	M412689	Rail, Din 215.9 mm	
11	M412688	Nut, Hex #12-24	
12	M412656	Buss, Ground	
13	33562	Screw, 10B-16 X 7/16 Ser. Hx Wa	
14	M412477	Transformer, 230 Volt	
15	M412631	Block, Terminal - 2 Circuit	
16	M412632	Block, Terminal - 1 Circuit	
17	M412633	Barrier, End	
18	M412772	Rail, Din 127 mm	
19	M412534	Relay, 24 Volt/50-60 HZ/1PH	
20	501086	Screw, 8B-18 X 3/8 Ind Hex Head	
REF	M412639	Harness, Relay (K2, K3) Gas-Coin	
	M412641	Harness, Transformer - Secondary	
	M412642	Harness, Transformer - Primary 240 Volt	
	M412644	Assembly, Harness Jumper 240 Volt Juntion Box	

Contactor Box Assembly for Steam Coin Drop Models

230 Volt, 50 Hertz, 1 Phase



T401PZ3B

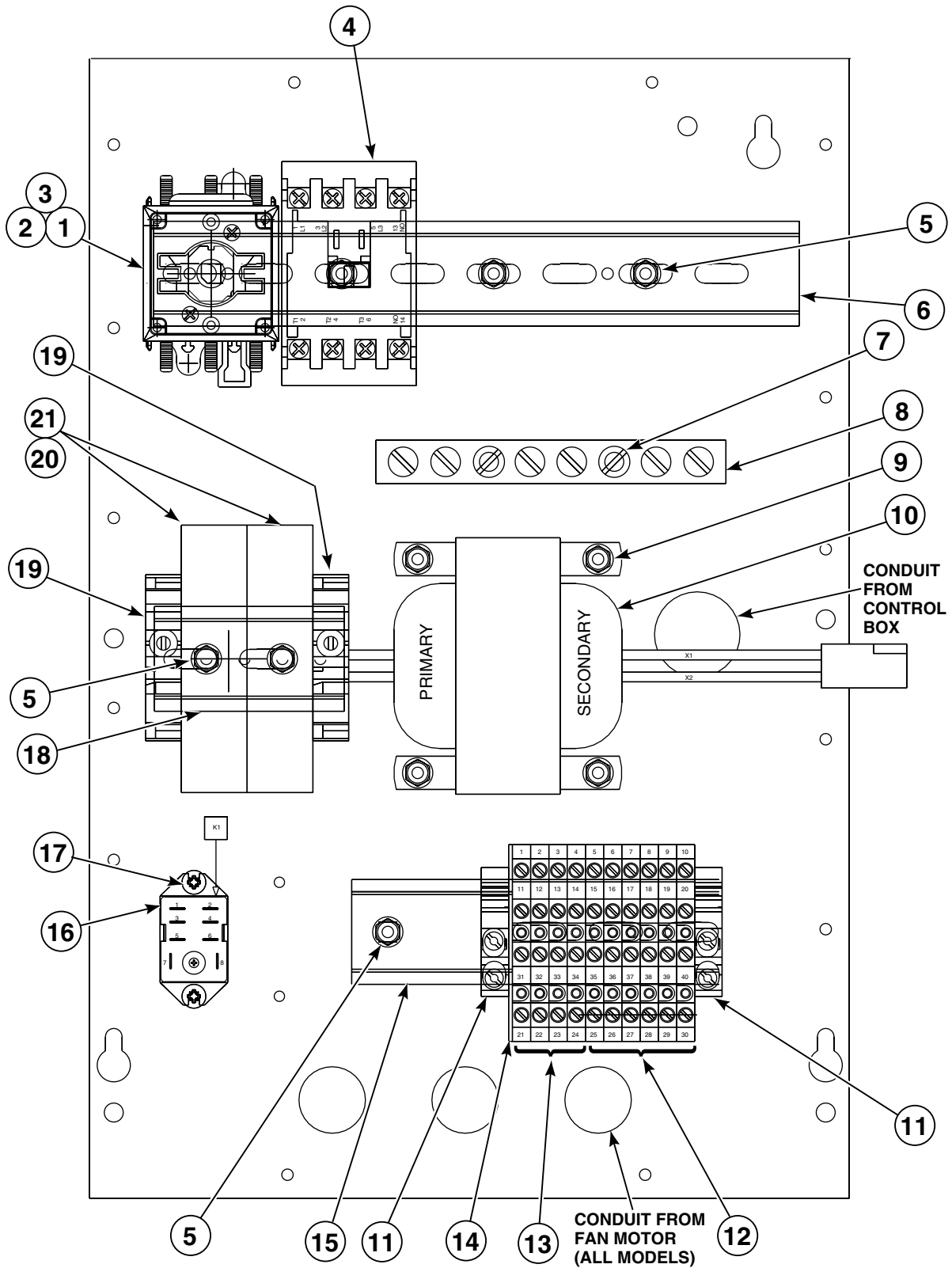
Contactor Box Assembly for Steam Coin Drop Models

230 Volt, 50 Hertz, 1 Phase

REF	PART #	DESCRIPTION	COMMENTS
1	M412370	Handle	Includes 2 Screws
2	M412366	Guard, Finger 20 Amp	
3	M412187	Base, Mounting Switch 20 Amp	Includes 2 Terminal Blocks
4	M412404	Contactor, Motor - 9 Amp	
5	M412540	Section, End	
6	M412537	Holder, Fuse - 230 Volt Primary	
7	502593	Fuse	
8	M412539	Stop, End-230 Volt	
9	51780	Screw, 10B-16 X 1/4 Hex Washer Head	
10	M412689	Rail, Din 215.9 mm	
11	M412688	Nut, Hex #12-24	
12	M412656	Buss, Ground	
13	33562	Screw, 10B-16 X 7/16 Ser. Hx Wa	
14	M412477	Transformer, 230 Volt	
15	M412631	Block, Terminal - 2 Circuit	
16	M412632	Block, Terminal - 1 Circuit	
17	M412633	Barrier, End	
18	M412772	Rail, Din 127 mm	
REF	M412637	Harness, Relay (K2) Steam-Coin	
	M412641	Harness, Transformer - Secondary	
	M412642	Harness, Transformer - Primary 240 Volt	
	M412644	Assembly, Harness Jumper 240 Volt Juntion Box	

Contactor Box Assembly for Steam Manual Timer Models

380/415 Volt, 50 Hertz, 3 Phase



T403PZ3B

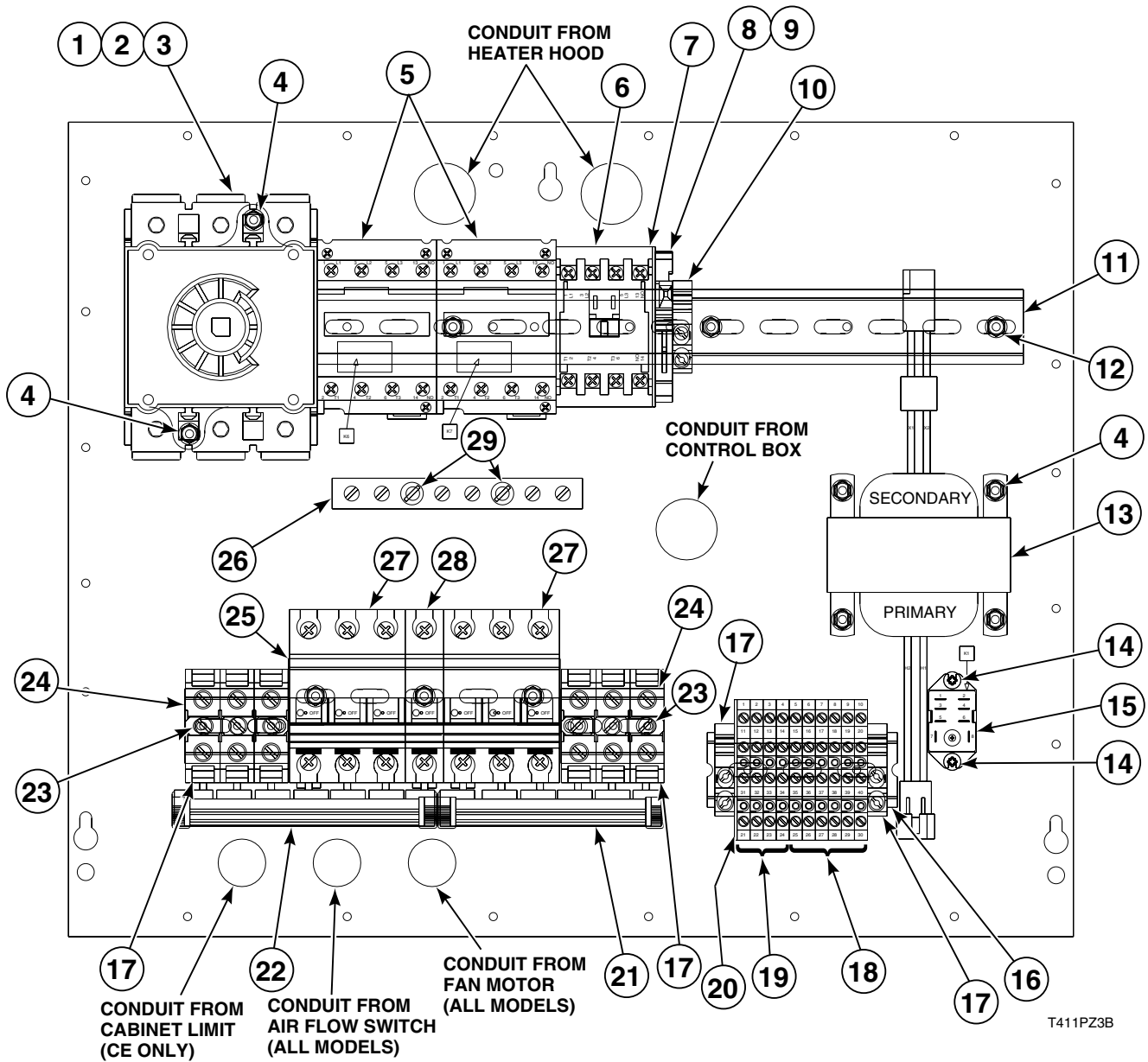
Contactor Box Assembly for Steam Manual Timer Models

380/415 Volt, 50 Hertz, 3 Phase

REF	PART #	DESCRIPTION	COMMENTS
1	M412370	Handle	Includes 2 Screws
2	M412366	Guard, Finger 20 Amp	
3	M412187	Base, Mounting Switch 20 Amp	Includes 2 Terminal Blocks
4	M412404	Contactor, Motor - 9 Amp	
5	51780	Screw	
6	M412689	Rail, Din 215.9 mm	
7	M412688	Nut, Hex #12-24	
8	M412656	Buss, Ground	
9	33562	Screw	
10	M412412	Transformer, 400 Volt	
11	M412539	Stop, End - 230 Volt	
12	M412631	Block, Terminal - 2 Circuit	
13	M412632	Block, Terminal - 1 Circuit	
14	M412633	Barrier, End	
15	M412772	Rail, Din 127 mm	
16	M412534	Relay, 24 Volt/50-60 Hertz/1 Phase	
17	501086	Screw	
18	M412771	Rail, Din	
19	M412615	End, Stop	
20	M412538	Fuse Holder - 400 Volt Primary	
21	M412996	Fuse	
REF	M412641	Harness, Transformer - Secondary	
	M412778	Assembly, Harness Jumper Junction Box	
	M412707	Harness, Relay (K1, K2) Steam - Manual Timer	

Contactor Box Assembly for Electric Coin Drop and Manual Timer Models

230 Volt, 50 Hertz, 1 Phase



Contactor Box Assembly for Electric Coin Drop and Manual Timer Models

230 Volt, 50 Hertz, 1 Phase

REF	PART #	DESCRIPTION	COMMENTS
1	M412186	Base, Mounting Switch 100 Amp	Includes 2 Terminal Blocks
2	M412367	Guard, Finger 100 Amp	
3	M412371	Handle	Includes 2 Screws
4	33562	Screw	
5	M412403	Contactor, Electric 50 Amp	
6	M412404	Contactor, Motor 9 Amp	
7	M412540	End Section 230 Volt	
8	M412537	Fuseholder, 230 Volt Primary	
9	502593	Fuse, 250 Volt/.4 Amp	
10	M412539	End Stop 230 Volt	
11	M412691	Din Rail, 330.2 mm	
12	51780	Screw	
13	M412477	Transformer, 240 Volt	
14	501086	Screw, 8B-18 X 3/8 Ind Hex Head	Dual Timer Models
15	M412534	Relay, 24 Volt/50-60 Hz/1Phase	Dual Timer Models
16	M412692	Din Rail, 88.9 mm	
17	M412045	Terminal Block, 3 Pole	
18	M412631	Terminal Block, 2 Circuit	
19	M412632	Terminal Block, 1 Circuit	
20	M412633	End Barrier	
21	M412754	Comb Buss Bar, 6 Position	
22	M412755	Comb Buss Bar, 7 Position	
23	M412415	Jumper Bar	
24	M412694	Din Rail, 48.3 mm	
25	M412690	Din Rail, 127 mm	
26	M412656	Ground Buss	
27	M412406	Circuit Breaker, 3 Pole 40 Amp	
28	M412688	Nut, Hex #12-24	
29	M412401	Circuit Breaker, 1 Pole 8 Amp	
REF	M412776	Harness, Relay Elec MT/LV	Dual Timer Models
	M412777	Harness, Relay Elec CD/LV	Coin Operated Models
	M412641	Harness, Transformer-Secondary	
	M412642	Harness, Transformer-Primary	

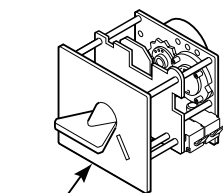
Manual Dual Timer and Coin Meter Control Panels

PART #	DESCRIPTION	Manual Timer (MT) Coin Meter (CD) Coin Slide (CS)	COMMENTS
M413028	Control Panel with End Caps	MT	DT Models
M406564	Control Panel with End Caps	MT	JT Energy Saver Models
M406565	Control Panel with End Caps	MT	All Other JT Models
M402675	Control Panel with End Caps	MT	ST Models (Silver)
M406567	Control Panel with End Caps	MT	ST Models (Black)
M402670	Control Panel with End Caps	CD	JT Energy Saver Models
M402669	Control Panel with End Caps	CD	All Other JT Models
M402674	Control Panel with End Caps	CD	ST Models (Silver)
M406566	Control Panel with End Caps	CD	ST Models (Black)
M414196	Control Panel with End Caps	CD	SC Models
M414199	Control Panel with End Caps	CD	JC Models
M402691	Control Panel, Complete	MT	JT Energy Saver Models
M402236	Control Panel, Complete	MT	JT Standard Gas Models
M410395	Control Panel, Complete	MT	120 Volt ST Gas Models (Black)
M410396	Control Panel, Complete	MT	208/240 Volt ST Gas and Electric Models (Black)
M410397	Control Panel, Complete	MT	480 Volt ST Electric Models (Black)
M402689	Control Panel, Complete	CD	120 Volt JT Energy Saver Models
M402693	Control Panel, Complete	CD	208/240 Volt JT Energy Saver Models
M402228	Control Panel, Complete	CD	120 Volt JT Standard Gas Models
M410461	Control Panel, Complete	CD	ST Gas Models (Black)
M406572	Control Panel, with End Caps	CS	ST Models (Black)
M413028	Control Panel, with End Caps		DTB Models
M413318	Control Panel, with End Caps		DCB Models
M414202	Control Panel, with End Caps	MT	SC Models
M414206	Control Panel, with End Caps	MT	JC Models

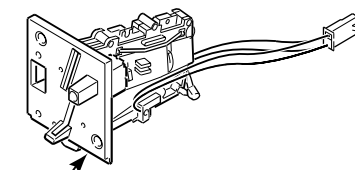
Coin Meter and Drop Assemblies and Front Plates

REF	COUNTRY	PART NUMBER	CURRENCY	FRONT PLATE PART NUMBER
1	South Africa	M402508-12	20 cents	
	Japan	M402508-14	100 Yen	
	Australia	M402508-21	20 cents	
	France	M402508-24	2 New Francs	
	South Africa	M402508-27	50 cents	
	Token	M402508-31	STD 118-5	
	Denmark	M402508-34	1 Krone	
	Token	M402508-36	STD 118-1	
	Australia	M402508-37	1 Dollar	
	Canada	M402508-44	25 cents	
	Spain	M402508-45	25 peseta	
	Token	M402508-5	STD 118-1	
	USA	M405138		
2	Token	M411601	STD 118-1	M411925
	France	M411605	2 Franc	M411927
	Hong Kong	M411606	\$5	M411928
	South Korea	M411608	500 Won	M411930
	Denmark	M411704	1 Krone	M411932
	Belgium	M411706	5 Francs	M411934
	Taiwan	M411707	10 NT	M411935
	South Africa	M411708	2	M411936
	Australia		1 Dollar	M411931
	England		20 Pence	M411933
	Token		STD 118-5	M411929
	Token		STD 118-16	M411926
	3	Canada	†M414550	0.25
USA		†M414502		M411612
England		M412542	20 Pence	
France		M412543	2 French Francs	
Denmark		M412544	1 Danish Krone	
Belgium		M412545	5 Belgium Francs	
Token		M412546	STD118-1	
Token		M412547	STD118-5	
France		M413195	5 French Francs	

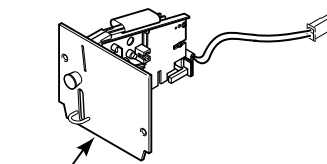
†Faceplate Included



Greenwald



Airpax



Munzprufer

T520pz1a

Burner Orifice

All Non-EU Models Except Energy Saver

GAS TYPE	ALTITUDE	DRILL SIZE NO.	PART NUMBER.
Natural Gas	0 - 2000 feet	27	M400998
	2001 - 4000 feet	28	M401014
	4001 - 6000 feet	29	M400997
	6001-8001 feet	30	M401021
	6001 - 10000 feet	31	M401017
L.P. Gas	0 - 2000 feet	44	M401011
	2001 - 4000 feet	45	M401027
	4001 - 6000 feet	46	M401003
	6001 - 8000 feet	47	M400999
	8001 - 10000 feet	48	M401001

Burner Orifice

Non-EU Energy Saver Models

GAS TYPE	ALTITUDE	DRILL SIZE NO.	PART NUMBER
Natural Gas	0 - 2000 feet	31	M401017
	2001 - 4000 feet	32	M402444
	4001 - 6000 feet	33	M401022
	6000 - 8000 feet	35	M402487
	8001 - 10000 feet	37	M401024
L.P. Gas	0 - 2000 feet	50	M401016
	2001 - 4000 feet	51	M401019
	4001 - 6000 feet	51	M401019
	6001 - 8000 feet	52	M401025
	8001 - 10000 feet	53	

Burner Orifices

Early Ignition Systems

GAS TYPE	IGNITION SYSTEM	ALTITUDE	DRILL SIZE	PART NO.
Natural Gas	Standing Pilot	0 - 2000 feet	.023	Q8152
	Automatic Pilot (Horizontal)	0 - 2000 feet	.025	M400920
	Automatic Pilot (Vertical)	0 - 2000 feet	.023	M402701
L.P. Gas	Standing Pilot	0 - 2000 feet	.12	M400918
	Automatic Pilot (Horizontal)	0 - 2000 feet	.12	M400918
	Automatic Pilot (Vertical)	0 - 2000 feet	.12	M402598

Fan Motors

STANDARD CONNECTION MOTORS THROUGH SERIAL NO.684487YA		QUICK DISCONNECT MOTORS STARTING WITH SERIAL NO. 684487YA	
	MOTOR NO.		MOTOR NO.
120/240 Volt Gas Models	M400383	Gas Models	M409438P
208 Volt Gas Models	M400379	Electric Models	M409438P
480 Volt Gas Model	M411189	CSH Models	M409439P
120/240 Volt Electric Models	M400383	CSL Models	M412227P
208 Volt Electric Models	M400379	EU 230/50/1	M412513P
480 Volts Electric Models	M411189	EU 230-280-415V	M412516P
120/240 Volt CSH Models	M411192	EU 230/50/1	M412514P
208 Volt CSH Models	M400388	EU 230-380-415V	M412517P
CSL Models	M411191		

Motor Harnesses

STANDARD CONNECTION MOTORS THROUGH SERIAL NO.684487YA		QUICK DISCONNECT MOTORS STARTING WITH SERIAL NO. 684487YA	
208/240 Volt CG & CGI Models	M405357	120 Volt CG & CGI Models	M409459
208/240 Volt EG & EGI Models	M405359	208/240 Volt CG & CGI Models	M409487
480 Volt Electric Models	M405351	120 Volt EG Models	M409982
		208/240 Volt EG Models	M409983
		208/240 Volt Electric Models	M409982
		120 Volt Steam Models	M409459

EU Orifices – Input 30.7 kW

Gas Type	UK	IE	PT	ES	IT	DK	NO	SE	FI	DE	NL	BE	FR	AT	Gas Family & Group	Orifice ϕ	Orifice Qty & P/N	Inlet Pressure	Governor/regulator	Injector Pressure
Natural Gas	N	N	N	N	N	N	N	N	N	N				N	Second family Group H (E)	3.4 mm	2 M400997	20 mbar	yes	8.9 mbar
											n				Second family Group L (LL)	3.4 mm	2 M400997	25 mbar	yes	13.0 mbar
												C	C		Second family Group E+	2.8 mm	2 M402487	20, 25 mbar	no	unregulated
LP Gas						I	I	I	I	I	I				Third family Group B/P	1.8 mm	2 M401018	30 mbar	no	unregulated
										C			C		Third family Group B/P	1.8 mm	2 M401018	50 mbar	yes	29 mbar
	L	L	L	L	L							L	L		Third family Group 3+	1.8 mm	2 M401018	28, 37 mbar	no	unregulated

N - Available as a factory order as "Natural Gas", configured for Second Family, Group H(E) at 20 mbar.

n - Available as a factory order as "Natural Gas", but country sticker, P/N 503382, must be applied to data plate.

L - Available as a factory order as "LP gas," configured for Third Family, Group 3+ at 28 mbar.

I - Available as a factory order as "LP gas," but country sticker, P/N 503382, must be applied to data plate.

C - Modification with 30CG EU gas conversion kit, P/N M4631P3, required for these gas families and groups; not available as a factory order.

OPEN - No approval available.

Special cases:

For LPG Third Family, Group B/P at 50 mbar, order "Natural Gas" (regulated) and 30CG EU gas conversion kit, P/N M4631P3.

Wire Harness Table

PART NO.	HARNESS FUNCTION	USAGE
607P3	Cable, Ignition Control	EU Gas Models with Dungs ignition control
M401284	Contactora Box Harness	Models Not Equipped with Junction Box
M401286	Cabinet High Limit Thermostat to Stove	Gas Models Not Equipped with Junction Box
M401909	Air Flow Switch to Junction Box	All CG Models, Coin and Manual Timer
M403425	Accumulator	Coin Slide Models
M403824	Air Flow Switch to Stove High Limit Thermostat	All CG Models, Coin and Manual Timer
M403924	Control Panel Harness	All Manual Timer and Coin Models
M405372	Front Control Box to Rear Junction Box	CG & EG Models, Manual Timer 50 Hertz
M405380	Cabinet High Limit to Stove High Limit Thermostat	EG Models, Coin and Manual Timer
M405381	Cabinet High Limit Thermostat	EG Models
M405385	Control Panel to Junction Box	Coin Meter Models
M405386	Front Control Box to Rear Junction Box	CE, Manual Timer 50 Hertz, and 208/240 Volt, 60 Hertz, 3 Phase
M405823	Air Flow Switch to Cabinet High Limit Thermostat	EG, Coin and Manual Timer
M405871	Front Control Box to Rear Junction Box	Gas Coin Models
M405872	Front Control Box to Rear Junction Box	Manual Timer CE Models and CSH & CSL Models
M405873	Front Control Box to Rear Junction Box	CE Coin
M406545	Control Panel Harness	CE Coin, 480 Volt
M406880	Ignition Control Harness	All Gas Models
M409199	Front Control Box to Rear Junction Box	CG, EG, Manual Timer 120/208/240 Volt, 50-60 Hertz
M409488	Fan Motor to Junction Box	EG, CE, Manual Timer
M409489	Fan Motor to Junction Box	EG, Coin, 208-240 Volt, 60 Hertz, 1 Phase
M409490	Fan Motor to Junction Box	CG, CSH, CSL Coin, Manual Timer, 2 Wire, 1 Phase
M409491	Fan Motor to Junction Box	CG, Coin and Manual Timer, 208-240 Volt, 60 Hertz, 1 Phase
M409982	Fan Motor to Junction Box	CE, Coin 415 Volt, 50 Hertz, 3 Phase
M410523	Front Control Box to Rear Junction Box	CSH, Manual Timer, 480 Volt, 60 Hertz, 3 Phase
M410640	Control Panel Harness	CE, Manual Timer, 480 Volt, 60 Hertz, 3 Phase
M411794	Contactora Box to Junction Box	CE. Coin, Manual Timer, 480 Volt, 60 Hertz, 3 Phase
M411827	Fan Motor to Junction Box	EG, CE, Coin and Manual Timer 3 Phase
M411828	Fan Motor to Junction Box	EG, Manual Timer 208-240 Volt, 60 Hertz, 3 Phase
M411829	Fan Motor to Junction Box	CG, CSH, CSL, Coin & Manual Timer
M411875	Front Control Box to Rear Junction Box	CE, Coin, 415 Volt, 50 Hertz, 3 Phase
M412448	Harness, Control Panel	EU mechanical coin drop models
M412462	Harness, Door Switch	EU mechanical Coin Drop Models
M412479	Harness, Control Panel	EU manual timer models
M412574	Harness, Fan Motor	3 Phase EU Models
M412603	Harness, Control Box Steam	EU Models Steam manual timer and mechanical coin drop with bulb thermostat
M412635	Harness, Air Flow Switch to Junction Box	EU Models gas models with stove mounted air flow switch
M412636	Harness, Relay (K1, K2, K3)	EU Models Gas manual timer models
M412637	Harness, Relay (K2)	EU Models Steam coin models
M412639	Harness, Relay (K2, K3)	EU Models Gas coin models
M412645	Jumper, Wire Ground	EU Models Gas models with Dungs ignition control
M412669	Harness, Cabinet Limit Cord 66	EU Models gas and electric models
M412711	Harness, Control Box	EU Electric Manual Timer and Coin drop Models with bulb thermostat

PART NO.	HARNESS FUNCTION	USAGE
M412747	Harness, Air Flow Switch to Control Box	EU Models electric models with cabinet mounted air flow switch
M412766	Harness, Relay Electric	EU Models 380V and 415 Volt electric manual timer models
M412775	Harness, Relay Electric	EU Models 380 Volt and 415 Volt electric mechanical coin drop models
M412776	Harness, Relay Electric	EU Models 230 Volt electric manual timer models
M412777	Harness, Relay Electric	EU Models 230 Volt electric mechanical coin drop models
M412801	Harness, Heater Cable	All electric EU Models models
M412802	Harness, Heater Cable	All 230 Volt EU Models Electric models
M412997	Harness, Gas Valve	EU Models with BM gas valve, single coil connection
M412998	Harness, Control Box	EU Models Gas manual timer and mechanical coin drop with bulb thermostat - Dungs ignition control
M413281	Harness, Fan Motor	1 Phase EU Models
M413545	Harness, Main	Manual timer and mechanical coin drop EU models
M413548	Harness, Control Box Gas	EU Models Gas manual timer and mechanical coin drop with bulb thermostat - Channel Products ignition control
M413650	Harness, Gas Valve	EU Models All with Johnson gas valve, dual coil connections

Parts Index

A

Accumulator	
M403422	25
Acorn Nut	
M400645	29
M412626	41
Adjustable Clip	
M400976	47
Air Flow Switch Guard	
M410544	47
Air Flow Vane Assembly	
M400541	47
M400542	47
Anti-Torque Ring	
M400605	51, 55, 61, 65, 69
Assembly, Cylinder and Shaft	
M401052	37
M405060	37
Assembly, Flange with Gasket	
M412568	71
Assembly, Harness	
M412642	97
Assembly, Harness Jumper	
M412644	93, 97, 99, 101
Assembly, Harness Jumper Junction Box	
M412778	103
Assembly, Pilot and Electrode	
M402591	57
Assembly, Steam Heater	
M400455	83
Assembly, Trunnion Housing	
M401349P	37
Assembly, Trunnion Shaft	
M401055P	37

B

Barrier	
M400712	47
M406144	7
Barrier, End	
M412633	93, 97, 99, 101, 103
Base, Door Switch	
M412528	31
Base, Mounting Switch	
M412186	91, 95, 105
M412187	93, 97, 99, 101, 103
Bearing	
M400592	37, 39
M413921	37
430038	43
Belt	
M401182	39, 41
Belt Guard	
M413008	45
Block, Terminal	
M412631	93, 97, 99, 101, 103
M412632	93, 97, 99, 101, 103

Body Gasket	
Included in Repair Kit	85
Bolt	
M400057	45
M400061	39, 41
M400078	39
M400649	37
M400650	37
M401393	45
M402945	23
M412119	43
430648	43
Bonnet Gasket	
Included in Repair Kit	85
Bracket	
M400341	11, 15
M400823	51, 55, 61
M401318	7
M405945	65, 69
M406814	65, 69
M409202	47
Bracket, Gas Valve	
M406814	73
M412552	71
Bracket, Locking	
30642	23
Bracket, Mounting	
M402594	57
Bumper	
M400795	49
Bumper Assembly	
M401161	35
M410783	35
M410844	35
Bumper Insert	
M401201	35
Burner	
M405919	65, 69
M410541	65, 69
Burner Kit	
M4448P3	51, 55, 61
Burner Orifice	
Refer to Table on Page 95	
Burner Orifice, L.P. Gas	
M400999	108
M401001	108
M401003	108
M401011	108
M401016	108
M401019	108
M401025	108
M401027	108
Burner Orifice, Natural Gas	
M400997	108
M400998	108
M401014	108
M401017	108
M401021	108
M401022	108
M401024	108
M402444	108
M402487	108
Burner, Gas	
M410541	71, 73

Buss Bar	
M400866	77
M400869	77
M412757	91
Buss, Ground	
M412656	93, 97, 99, 101, 103
Button, Emergency Stop	
M412231	9
Button, Push-to-Start	
M412233	11
Button, Switch - Push-to-Start	
M412233	9, 13

C

Cable, Ignition	
M406881	73
M412571	71
Cam	
M400732P	17, 19
M400733P	17, 19
M400734P	17, 19
M400735P	17, 19
M400736P	17, 19
M400737P	17, 19
M400738P	17, 19
M400739P	17, 19
M400740P	17, 19
M400741P	17, 19
Cam and Screw	
M400595	35
Cam, Timing	
M400239	25
53240	25
53241	25
53242	25
53243	25
Capscrew	
20255	41
Cap, End	
M401328	9, 13
Carriage Bolt	
M412475	39
Chain Guard	
M411467	49
M411477	49
Circuit Board Support	
M405979	27
Circuit Breaker	
M412401	105
M412406	91, 95, 105
M412407	91, 95
Clip	
M400975	33
M400984	33
Clip, Barrel	
M400972	21
Coil	
M400914	79, 81
Coin Carrier Spring	
M405138A	17
M405138B	17
Coin Chute	
M411882	21

Coin Drawer	
M402582*	21
Coin Drop	
M411601	107
Coin Meter	
M402508-12	107
M402508-14	107
M402508-21	107
M402508-24	107
M402508-27	107
M402508-31	107
M402508-34	107
M402508-36	107
M402508-37	107
M402508-44	107
M402508-45	107
M402508-5	107
M405138	107
M412542	107
M412543	107
M412544	107
M412545	107
M412546	107
M412547	107
M413195	107
Comb Buss Bar	
M412754	105
M412755	105
M412756	95
Compression Nut	
M400926	57
Compression Sleeve	
M400925	57
Connecting Link	
M401360	39
Contact, Electric	
M412403	91, 95, 105
Contact, Motor	
M412404	91, 93, 95, 97, 99, 101, 103, 105
Control Panel	
See Table on Page 94	
Control Panel Assembly	
See Table on Page 94	
Control Panel, Complete	
M402228	106
M402236	106
M402689	106
M402691	106
M402693	106
M410395	106
M410396	106
M410397	106
M410461	106

Control Panel, with End Caps	
M402669	106
M402670	106
M402674	106
M402675	106
M406564	106
M406565	106
M406566	106
M406567	106
M406572	106
M413028	106
M413318	9, 106
M414196	13, 106
M414199	13, 106
M414202	9, 106
M414206	9, 106
Control, Ignition	
M412549	71
M413433	73
Core Spring	
Included in Repair Kit	85
Counterweight	
M400822	47
Coupler, Flexible	
M412551	31
Cover	
M400828	83
M414477	35, 51, 55, 61, 65, 69
Cylinder	
M401049	37
M401050	37

D

Damper Vane	
M400503	49
Din Rail	
M412106	81
M412689	93, 97, 99, 101, 103
M412690	105
M412691	91, 95, 105
M412692	91, 95, 105
M412693	95
M412694	91, 95, 105
M412771	103
M412772	93, 97, 99, 101, 103
Diode Logic Board	
M405897	27
Disc	
M400253	47
Door Assembly	
M400447	29
M410887	29
430475	29
Door Gasket	
M406129	29
Door Glass	
M400784P	29
70133601P	29
Door Handle	
M400133	29
430117	29
70133501	29
Door Latch	
M401223	29

Door Ring Plug	
430649	29
Door Switch	
M400952	27
Drive Chain	
M401425	39
Drive Fork	
M400754	17, 19
Drive Sprocket	
M401366	39
Dual Coin Meter	
Not Available as an Assembly	19

E

Elbow, Pipe	
H86070034	71, 73
Electronic Package	
Not Available	59
End Barrier	
M412633	91, 95, 105
End Cap	
M401328	7, 11, 15
End Piece	
M400681	79
M402091	79
End Section	
M412540	91, 105
End Stop	
M412539	91, 93, 95, 97, 99, 101, 103, 105
M412615	95, 103
Escutcheon	
M405884	23
Extension Spring	
M412121	41

F

Fan	
M400086P	45
M410088P	45
Fan Housing Cover	
M401362	45
Fan Key	
M400994	45
Fan Motor	
M400379	109
M400383	109
M400388	109
M409438P	109
M409439P	109
M411189	109
M411191	109
M411192	109
M412227P	109
M412513P	109
M412514P	109
M412516P	109
M412517P	109
Fan Motor Hardware Kit	
M4426P3	45
Felt Pad	
M402144	37

Flash Tube	
M402746	61
Flat Washer	
M400080	45
03189	29
20279	23
Frame, Coindrop	
M403414	13
Front Panel	
M410743*	33
M410751*	33
M410756P	33
M410878*P	33
M410879*P	33
M411121	33
M411124P	33
M411128*P	33
M412786*	33
Front Panel - Plain	
M410746*P	33
Front Plate	
M411612	107
M411925	107
M411926	107
M411927	107
M411928	107
M411929	107
M411930	107
M411931	107
M411932	107
M411933	107
M411934	107
M411935	107
M411936	107
Fuse	
M412996	95, 103
502593	91, 93, 97, 99, 101, 105
Fuse Holder	
M412537	91, 105
M412538	95, 103

G

Gas Supply Pipe	
M400749	51, 55, 61, 65, 69
Gas Valve	
M410907	75
M410908	75
Gas Valve - L.P. Gas	
M401225	55
M401230	51
M401231	51
M403151	61
M405935	65
M409153	69
Gas Valve - Natural Gas	
M401224	55
M401228	51
M401229	51
M402750	61
M405898	65
M409152	69
Gas Valve Coil	
M411134	69
Gasket	
M400798	53, 59, 63

Glass Seal	
M400962	29
Ground Buss	
M412656	91, 95, 105
Ground Lug	
M411283	81
Ground Screw	
M402917	81
Ground Screw, Hex Head	
M402917	7, 11, 15
Guard, Finger	
M412366	93, 97, 99, 101, 103
M412367	91, 95, 105
Guide Rail	
M412476	39, 41

H

Handle	
M412370	93, 97, 99, 103
M412371	91, 95, 105
Handle Assembly	
M410243P	35
Handle, Ext	
M412370	101
Handy Box	
M403235	47
Harness	
M403824	69
Harness, Relay	
M412636	93
M412637	101
M412639	99
M412707	97, 103
M412766	95
M412775	95
M412776	91, 105
M412777	91, 105
Harness, Transformer	
M412641	93, 95, 97, 99, 101, 103, 105
M412642	93, 99, 101, 105
Harness, Transformer- Primary	
M412642	91
Harness, Transformer- Secondary	
M412641	91
Heat Switch	
M400947	17, 19
Heater Contactor	
M400904	79, 81
M405116	79, 81
Heater Element	
M405230	77
M405252	77
M405253	77
Heater Wire	
M401276	77
M403743	77
High Voltage Lead	
M406788	69
M410990	75

Hinge	
M400512*	29
M400514	29
M402714*	29
M405931	23
M412382*	29
Hinge Bolt	
M400653	29
Hinge, Door	
M412378*	31
Holder, Fuse	
M412537	93, 97, 99, 101
Holder, Spud	
M410546	73
M412464	71
Hood Assembly	
M401159	77
Housing, Trunnion	
M400144	37

I

Idler Arm	
M414320P	43
Idler Housing	
M412103P	39, 43
Idler Housing Kit	
M412228P	43
M412229P	39
Idler Shaft	
M401374	39
M412223	43
Idler Sprocket	
M401369	39
Idler Support Plate	
M414405	41
Idler Wheel	
430619	43
Igniter	
55438	61, 65
Igniter Bracket	
M402745	61, 65
M406936	69
Igniter Kit - L.P. Gas	
M4337P3	55, 57
Igniter Kit - Natural Gas	
M4338P3	55, 57
Igniter, Spark	
M406934	71, 73
Index Lever Spring	
M400731	19
Indicator Light	
M412234	11
Injector	
Also Refer to Table on Page 97	
Instant Electronic Ignition Control	
M406789	69
M410904	75
Instant Electronic Ignition Harness	
M406880	69

J

Jam Nut	
M400022	45
M400023	37, 41
M400026	37
Jumper Bar	
M412415	105
Jumper Wire	
M404866	67
M404868	67
M412803	95
M412871	91
Junction Box	
M410364	49
Junction Box Cover	
M414352	49

K

Key	
M400010	37, 41
M401327	39, 41
M401680	33
Order by Key Code	21
Key, Service Door	
54612	23
Kickplate Kit	
M414437P	35
Knob	
M400773	7
M400777	27
M410927	7
Knob, Timer	
M400773	9
M410927	9

L

Label, Lint Compartment	
431106	35
Lever	
M400753	47
Light, Indicator	
M412234	9, 13
Light, Signal	
M400703	7
M400704	7
Lint Hood	
M400515	35
M401150	35
Lint Panel	
M401062*	35
M402713*	35
M406574*	35
M406576	35
Lint Screen	
M400522	35
Lock and Key Assembly	
M404101	33, 35

Lockwasher	
M400013	37, 39, 45
M400014	23, 39
M400017	29
M403958	41
M412188	41
03815	29, 35, 51, 57, 61
91200	37
Lock, Service Door	
27260	23
L.P. Conversion Kit	
M4323P3	55
M4325P3	51
M4377P3	65, 69
M4378P3	65, 69

M

Magnetic Operator	
M406217	63
Main Coil	
M405430	67
Main Operator	
M401227	59
Manifold	
M403163	51, 55, 61, 65, 69
M410546	65, 69
Meter Case Assembly	
M410807*	23
Meter Frame	
M403414	11
Micro V Belt	
M411424	41
Micro V Pulley	
M411466	43
Micro V Sheave	
M412155	41
Mirror	
M403333	23
Motor	
Refer to Table on Page 96	
Motor Bracket	
M411483	41, 45
Motor Capacitor for Fan Motor	
M400918	108
M400920	108
M402598	108
M402701	108
Q8152	108
Motor Contactor	
M400910	79, 81
M400913	79, 81
Motor Harness	
M405351	109
M405357	109
M405359	109
M409459	109
M409487	109
M409982	109
M409983	109
Motor Pulley	
M401183P	45
M401186	45

Motor, Timer	
M400609	7
M400793	7
M400794	7

N

Nipple	
M406681	51, 55, 61, 65, 69
Nut	
M400026	39, 41
M401548	73
M401549	51, 55, 61, 65, 69, 73
M404993	41
Q6163	29
02428	39, 45
02788	27
20274	23
52566	43
56156	43
70054	77
70142	45
Nut, Hex	
M412688	91, 93, 95, 97, 99, 101, 103, 105
20275	29
Nut, Retainer	
M400672	13
Nylon Washer	
M400675	29

O

Operator	
M400331	53
M406217	53
Orifice	
M400997	109
M401018	109
M402487	109
Refer to Table on page 111	

P

Pal Nut	
M400034	45
M400036	37, 41
Panel Key	
M401680	35
Pawl Spring	
53244	25
Piece, Tail	
M413348	73
Pilot Filter	
M400965	55
Pilot Operator	
M401226	59
Pilot Orifice Nut and Sleeve	
Refer to Table on Page 95	
Pilot Tube	
M402596	57
Pipe, Gas Supply	
M400749	71, 73

Pipe, Manifold	
M413396	73
Plug	
M401550	51, 55, 61, 65, 69
Pop Rivet	
M405750	7, 11, 15
Power Cord	
M411460	35
Pulley Key	
M400993	45
Pushnut	
M400977	47

R

Rail, Din	
M412689	93, 97, 99, 101, 103
M412771	103
M412772	93, 97, 99, 101, 103
Ratchet Wheel	
53239	25
Redundant Coil	
Not Available	67
Relay	
M400911	7
M400912	7
M402779	27
M412534	91, 93, 95, 97, 99, 103, 105
Repair Kit	
M400152	85
M401384	85
M410698	85
M410699	85
M412257	83
Replacement Coil	
M401380	85
M401381	85
M401383	85
Reset Assembly	
M400329	53
Resistor	
M400527	7, 11
Retainer	
M400820	35
Retainer Ring	
M400606	51, 55, 61
Retainer Spring	
M406297	17
Retainer, Left	
M401301	7, 9, 11, 13, 15
Retainer, Right	
M401302	7, 15
Retainer, Right and Center	
M401302	9, 11, 13
Retaining Cap	
Included in Repair Kit	
Retaining Ring	
M400399	41
Return Spring	
M400746	19
M405138A	17
53261	25
Rib Rod	
M400901	37

Ring, Anti Torque	
M400605	73
Rivet	
M400713	33
M405750	29
Rivet, Pop	
M405750	9, 13
Run Light	
M404151	11, 15
Run Switch	
M400001	17, 19

S

Screw	
M400071	27
M400072	27
M400657	35
M400664	49
M400773	37
M402595	57
M402797	51, 55, 61, 65, 69
M405188	45
M405824	49
M411052	9
M412531	31
M412532	31
Q6516	27
33562	7, 11, 15, 23, 91, 93, 97, 103, 105
430497	33, 81
430757	35
501086	95, 103
503673	23
51780	79, 81, 103, 105
56693	61, 65
Screw and Lockwasher	
03950	23
Screw, Hex Head	
501086	91, 97
52909	23
Screw, Hex Washer Head	
51780	91, 93, 95, 97, 99, 101
Screw, Ind Hex Head	
501086	93, 99, 105
Screw, Phillips Head	
M400044	29
M400071	7, 11
M400072	7, 11
M400664	35, 47, 51, 55, 61, 65, 69, 77, 79, 81, 83
M401902	33
M401938	47
M409385	29, 37, 57
M411052	7
03203	23
51780	7, 23, 49
Screw, Ser. Hx Wa	
33562	95, 99, 101
Screw, Washer Head	
M410059	45
Section, End	
M412540	93, 97, 99, 101
Sensor	
510213	61, 65
Sensor Jumper Wire	
M411138	75

Sensor Lead	
M401210	57
Sensor Probe	
M401209	57
Sensor Wire	
M402597	57
Service Door	
35798*	23
Setscrew	
M400065	39, 41
M400077	43, 45
Sheave	
M400092P	39, 41
Shut-Off Valve	
M406455	51, 55, 61, 65, 69
Single Coin Drop	
M411605	107
M411606	107
M411608	107
M411704	107
M411706	107
M411707	107
M411708	107
M414502	107
M414550	107
Sleeve	
M412474	39
Slide Extension	
61031	23
Snap Ring	
M400399	39
Solenoid Coil	
M412258	85
Spark Igniter	
M406934	69
Spark Igniter Assembly	
M410905	75
Speed Nut	
M400672	11
Spring	
M402455	17
Spring Clip	
M400402	29
Sprocket	
M400091P	37
Square Nut	
M401930	37
Steam Coil	
M400636	83
M412258	83
M413300	83
M413301	83
M413302	83
M413451	83
Steam Valve	
M412241	83
M413295	83
M413297	83
M413298	83
M413446	83
Stove High Limit Thermostat	
M410220	73
M411942	75
Strike	
M400661	29

Sub-Assembly, Diaphragm Core	
Included in Repair Kit	85
Support Rod	
M400604	33
Switch	
M400944	47
M412423	47
53236	25
Switch Rod	
M401181	29
Switch, Door Safety	
M412372	31
Switch, Emergency Stop	
M412232	9
Switch, Ignition Reset	
M413431	73
Switch, Push-to-Start	
M400954	7, 11, 15
M412230	9, 11, 13
Switch, Reverse/Nonreverse	
M400945	9

T

Temperature Knob	
M400777	11
M410928	11
Tension Bolt	
M412627	41
Terminal Block	
M400000	7, 11, 27
M400685	79
M405363	49
M405364	49
M412042	81
M412045	81, 91, 95, 105
M412631	91, 95, 105
M412632	91, 95, 105
Thermocouple	
M400934	51
Thermostat	
M401251	27
M411941	35
Thermostat, Burner High Limit	
M401404	61, 65, 69
M409433	51, 55, 61, 65, 69
Thermostat, Cabinet High Limit	
M401257	49
M406412	35
M410542	35
M411813	35
Thermostat, High Limit	
M405943	77
M4347P3	77
Timer Motor	
M400609	17, 19, 25
Timer, Cool-Down	
M400785	7
M410900P	7
Timer, Cooling	
M412079	9

Timer, Drying	
M400787	7
M400791P	7
M410901P	7
M412080	9
Top Access Panel	
M401313*	33
M401315	33
M405889*	33
M413633*	33
Top Cover	
M401306	33
Transformer	
M401199	27
M401391	79, 81
M402649	27
M402650	27
M411066	75
M412412	95, 103
M412477	91, 93, 97, 99, 101, 105
Twin Speed Nut	
M400979	47
M400981	27

Washer	
M400014	41
M400080	41
M400081	39
M400832	39
M400991	45
M401946	37
M401947	37
M405535	43
20103	37
35774	23
35917	23
Wire	
M400337	53
M400338	53
M402822	63
M402823	63
M402824	63
M402825	63

U

Union Nut	
M401548	51, 55, 61, 65, 69

V

Valve, Gas	
M411982	71
M413332	73
Valve, Gas Shut Off	
M412562	71, 73
Vault Frame	
M400131P	21
Vault Lock and Key Assembly	
Order by Key Code	21

W

Warning Decals, Front	
M410892	89
M411087	89
M411088	89
500316	89
Warning Decals, Rear	
M403047	87
M403153	87
M410082	87
M410083	87
M411815	87
430377	87
500316	87
Warning Sticker	
M410892	33

Wire Harness	
M401284	110
M401286	110
M401909	110
M403425	25, 110
M403824	110
M403924	7, 11, 110
M405372	110
M405380	110
M405381	110
M405385	110
M405386	110
M405823	110
M405871	110
M405872	110
M405873	110
M405896	15
M406545	110
M406880	110
M409199	110
M409488	110
M409489	110
M409490	110
M409491	110
M409982	110
M410523	110
M410640	110
M411794	110
M411827	110
M411828	110
M411829	110
M411875	110
M412448	110
M412462	110
M412479	110
M412574	110
M412603	110
M412635	110
M412636	110
M412637	110
M412639	110
M412645	110
M412669	110
M412711	110
M412747	111
M412766	111
M412775	111
M412776	111
M412777	111
M412801	111
M412802	111
M412997	111
M412998	111
M413281	111
M413545	111
M413548	111
M413650	111
607P3.....	110
Wires (Contactor to Terminal Block)	
M412116	79