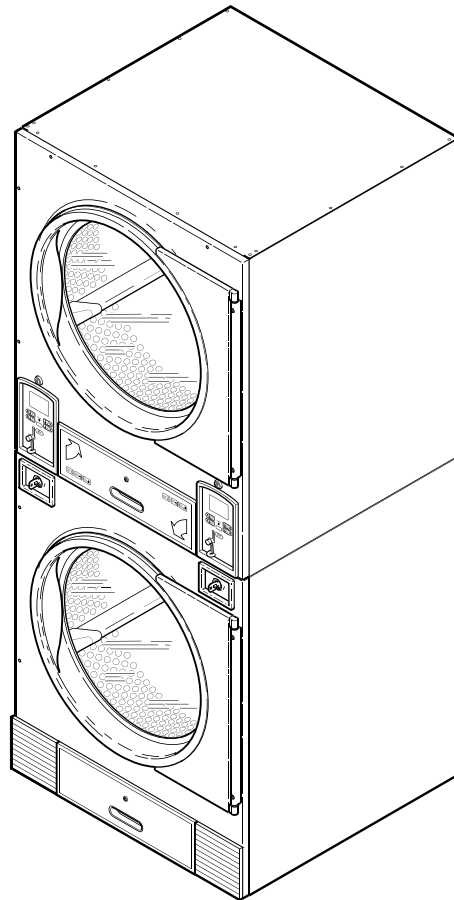


Drying Tumblers

Stack 30 Pound (300 Liter) Capacity

Refer to Page 3 for Model Numbers



T464P_70185001

Parts

Table of Contents

| Title | Page |
|--|------|
| Parts Ordering Information..... | 2 |
| Serial Plate Location | 2 |
| Model Identification | 3 |
| Electronic Coin Drop | 4 |
| Card Reader Control Components | 6 |
| Electromechanical Coin Drop Components | 8 |
| Manual Dual Timer Control | 10 |
| NetMaster Card Reader | 12 |
| NetMaster Coin Drop | 14 |
| NetMaster Network Interface Board..... | 16 |
| NetMaster Network Board..... | 18 |
| Upper Front Panel Components | 20 |
| Lower Front Panel Components | 22 |
| Upper Cylinder Support Components | 24 |
| Lower Cylinder Support Components | 26 |
| Lint Drawer Components | 28 |
| Door and Hinge Components | 30 |
| Cylinder, Trunnion and Bearing | 32 |
| Cylinder Channel Components | 34 |
| Drive Motor Components | 36 |
| Drive Motors..... | 38 |
| Fan and Exhaust Components | 40 |
| Fan Motors | 42 |
| Gas Burner Housing | 44 |
| Gas Burner Components | 46 |
| Gas Valve and Piping | 48 |
| Gas Valve Assembly..... | 50 |
| Burner Orifices | 52 |
| Electric Heater Components | 54 |
| Steam Heater Components | 56 |
| Rear Control Box - Gas Non-CE Models (Drawing 1 of 2)..... | 58 |
| Rear Control Box - Gas Non-CE Models (Drawing 2 of 2)..... | 60 |
| Rear Control Box - Steam Non-CE Models..... | 62 |
| Rear Control Box - Electric Non-CE Models | 64 |
| Rear Control Box - Gas CE Models | 66 |
| Rear Control Box - Steam CE Models | 68 |
| Rear Control Box - Electric CE Models Through Serial No. 112006347..... | 70 |
| Rear Control Box - Electric CE Models Starting Serial No. 112006348..... | 72 |
| Parts Index..... | 75 |

© Copyright 2006, Alliance Laundry Systems LLC

All rights reserved. No part of the contents of this book may be reproduced or transmitted in any form or by any means without the expressed written consent of the publisher.




Parts Ordering Information

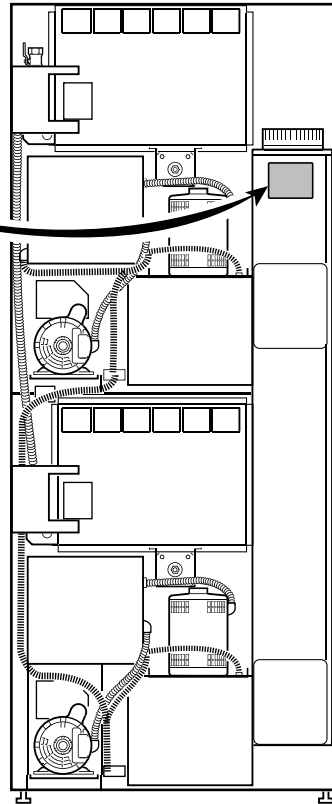
If literature or replacement parts are required, contact the source from whom the machine was purchased or contact Alliance Laundry Systems at (920) 748-3950 for the name and address of the nearest authorized parts distributor.

For technical assistance, call (920) 748-3121.

Serial Plate Location

When calling or writing about your product, be sure to mention model and serial numbers. Model and serial numbers are located on serial plate(s) as shown.

| | | |
|--|---------------------|--|
| MODEL NO: | |  ANS 72152 CLOTHES DRYER VOL 1 |
| SERIAL NO: | | |
| V-/ | HERTZ/ |  CGA 72 |
| AMPS, | WIRES + GROUND | |
| TOTAL KW, | |  APPROVED |
| MOTOR KW | | |
| REQ'D CIRCUIT BREAKER: AMPS | | |
| FAN OUTPUT: | | |
| @MAX | *WC STATIC PRESSURE | |
| EQUIPPED FOR: GAS@ *WC MANIFOLD PRESS. | | |
| MIN SUPPLY PRESSURE: | *WC. | MAX SUPPLY PRESSURE: *WC. |
| INPUT: BTU/hr @ | BTU/cu.ft. | |
| MADE IN U.S.A./FABRIQUE AU ETATS UNIS/FABRICADO EN LOS ESTADOS UNIDOS 70051001 | | |



TMB1961P_70185001

Model Identification

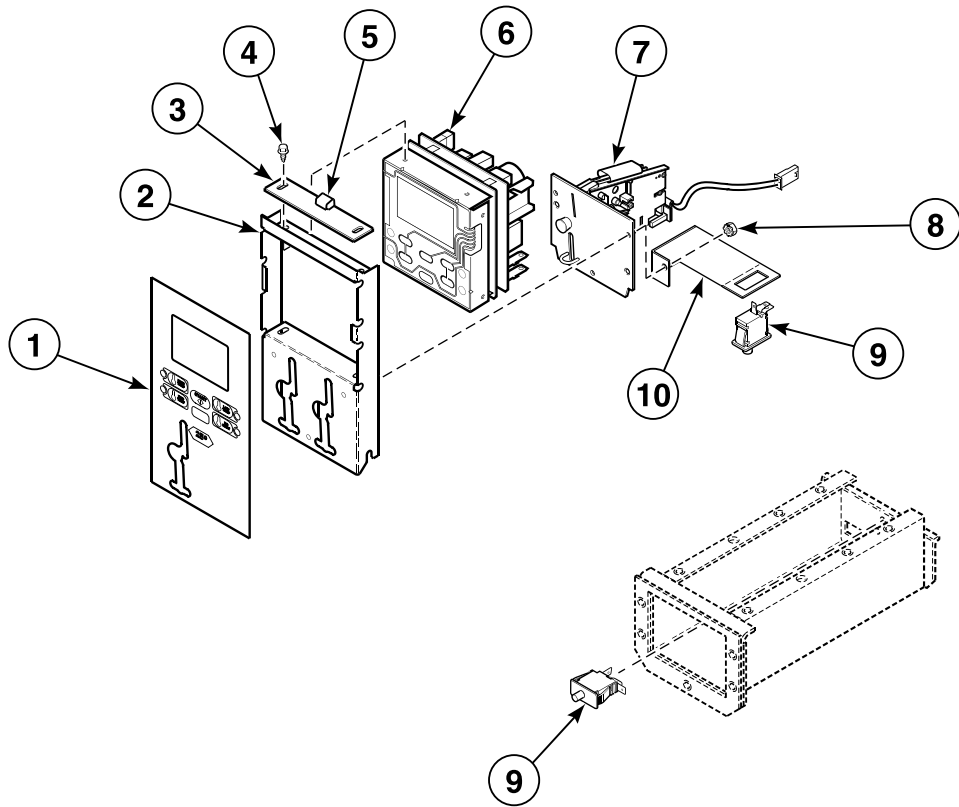
Information in this manual is applicable to these tumbler models:

| | | | |
|-----------|-----------|-----------|-----------|
| DC0300DEL | JA0300DRG | LT0300DRG | SA0300DRG |
| DC0300DFG | JC0300DEL | NT0300DRG | SC0300DEL |
| DC0300DRG | JC0300DFG | PC0300DEL | SC0300DFG |
| DC0300DSL | JC0300DRG | PC0300DFG | SC0300DRG |
| DT0300DEL | JC0300DSH | PC0300DRG | SC0300DSH |
| DT0300DFG | JC0300DSL | PC0300DSL | SC0300DSL |
| DT0300DRG | JT0300DEL | PT0300DEL | ST0300DEL |
| DT0300DSH | JT0300DFG | PT0300DFG | ST0300DFG |
| DT0300DSL | JT0300DRG | PT0300DRG | ST0300DRG |
| | JT0300DSH | | ST0300DSH |
| | JT0300DSL | | ST0300DSL |

Control Suffixes (10th and 11th characters):

| | | |
|----------------------------|------------------------------|--|
| CD - rotary coin drop | MT - manual timer | NY - NetMaster prep for card |
| CX - prep for coin | OM - OPL micro | ZC - NetMaster coin - network ready |
| CY - prep for card | NC - NetMaster coin | ZR - NetMaster card - network ready |
| EC - electronic coin | NR - NetMaster card | ZX - NetMaster prep for coin - network ready |
| EX - electronic coin ready | NX - NetMaster prep for coin | ZY - NetMaster prep for card - network ready |
| EY - electronic card ready | | |

Electronic Coin Drop

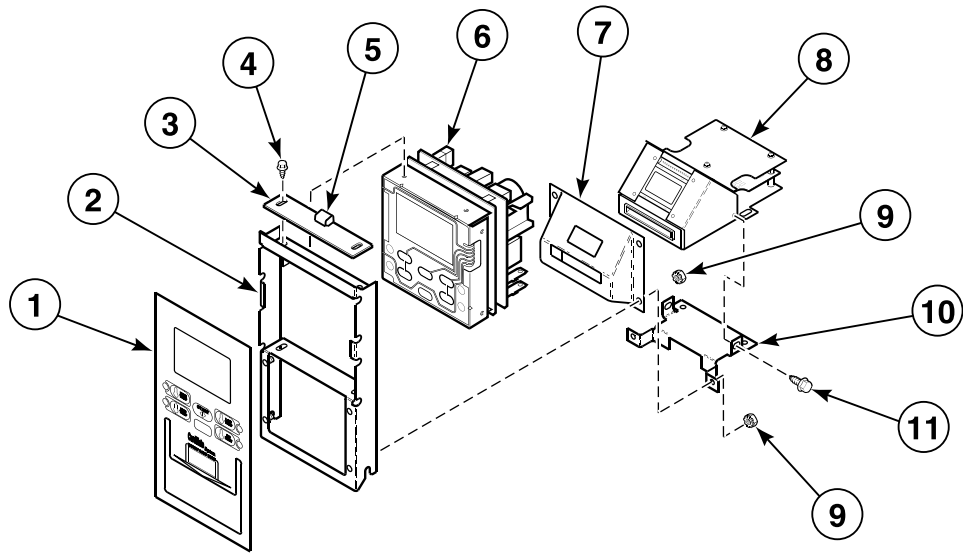


TMB2069P_70185001

Electronic Coin Drop

| REF | PART NO. | DESCRIPTION | COMMENTS |
|-----------|-----------|-----------------------------|--|
| | 431611 | Multiplier Harness Assembly | EDC; Dual drop |
| | CK090 | Coin Drop Kit | Converts single U.S. \$.25 drops to dual drops |
| | 38571 | Multiplier Assembly | Dual drop |
| | M4691P3 | Electronic Control Kit | ST models |
| | M4692P3 | Electronic Control Kit | SA and SC models |
| | M4721P3 | Electronic Control Kit | JT models |
| | M4722P3 | Electronic Control Kit | JA and JC models |
| 1 | 70113601 | Overlay | Text; ST models; Single |
| | 70113901 | Overlay | Text with infrared; JT models; Single |
| | 70135501 | Overlay | Icon; SC models; Single |
| | 70135701 | Overlay | Infrared; Icon; JC models; Single |
| | 70136101 | Overlay | Text non-infrared; JT models; Single |
| | 70129301 | Overlay | Upper; P models; Single |
| | 70129401 | Overlay | Lower; P models; Single |
| | 70129501 | Overlay | Upper; P models; Single |
| | 70129601 | Overlay | Upper; P models; Dual |
| | 70129701 | Overlay | Lower; P models; Single |
| | 70129801 | Overlay | Lower; P models; Dual |
| | 70217001P | Dual Overlay Kit | Text; SC and ST models |
| | 70217101P | Dual Overlay Kit | Icon; SC and ST models |
| | 70217201P | Dual Overlay Kit | Text; JC and JT models |
| | 70217301P | Dual Overlay Kit | Icon; JC and JT models; Dual |
| 2 | 70175901 | Control Door Assembly | SC and ST models; Includes studs |
| | 70175902 | Control Door Assembly | JC and JT models; Includes studs |
| 3 | 70119101 | Latch Mounting Bracket | |
| 4 | 501524 | Screw | |
| 5 | 431318 | Control Door Latch | |
| 6 | M414049P | Control Kit | Includes tape; 24 Volt |
| 7 | 38462P | Coin Drop Assembly | Token; 118-1 |
| | 38463 | Coin Drop Assembly | Token; 118-5 |
| | 38464P | Coin Drop Assembly | Canada; \$.25 |
| | 200578P | Coin Drop Assembly | Canada; \$.25 and 1.00 |
| | 38467 | Coin Drop Assembly | Australia; \$.20 and 1.00 |
| | 38479P | Coin Drop | U.S.; \$.25; Single |
| | 70256402P | Coin Drop | U.S.; \$.25 and 1.00; Dual |
| | 38519 | Coin Drop Assembly | Japan; 100 and 500 yen |
| | 38475 | Coin Drop Assembly | Japan; 100 yen |
| | 38521 | Coin Drop Assembly | Korea; 100 and 500 won |
| | 38522 | Coin Drop Assembly | New Zealand; \$.20 and 1.00 |
| | 38963P | Coin Drop | Token; 118-16 |
| | 38478 | Coin Drop Assembly | Taiwan; 10NT; Dual drop not available |
| | 39157 | Coin Drop Assembly | Israel; Shekel |
| | 70273802 | Coin Drop Assembly | 5 and 10 Krone |
| 8 | 70054 | Nut | |
| 9 | 70107001 | Pushbutton Switch | |
| 10 | 70292601 | Audit Switch Bracket | |

Card Reader Control Components

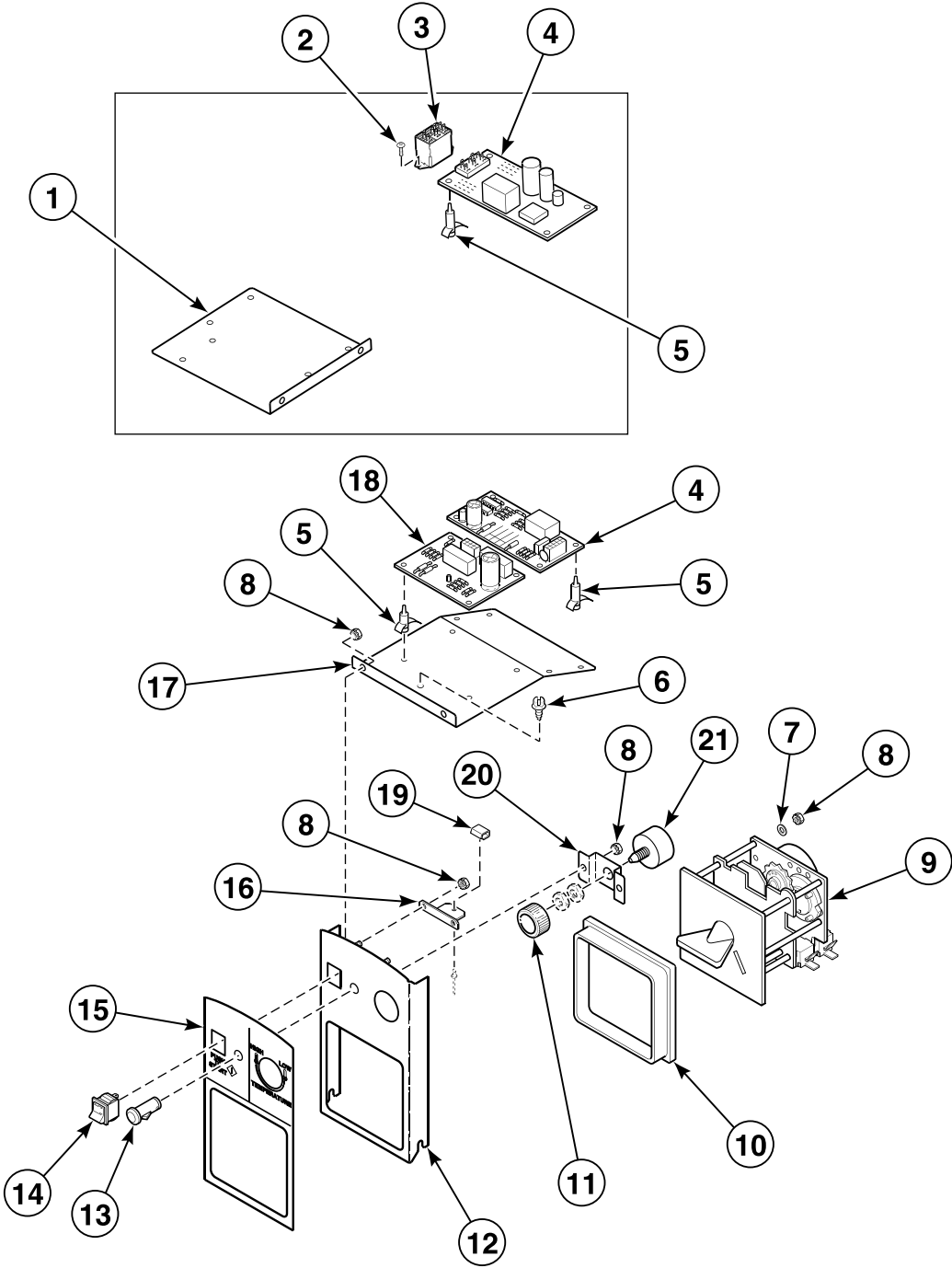


T429P_70185001

Card Reader Control Components

| REF | PART NO. | DESCRIPTION | COMMENTS |
|-----------|----------|--------------------------------------|---------------------------|
| | 70211801 | Card Reader Harness Assembly | Non-networked |
| | 70206601 | Card Reader Network Harness Assembly | |
| 1 | 70136201 | Overlay | ST models |
| | 70115701 | Overlay | JT models |
| 2 | 70175903 | Control Door Assembly | ST models; Includes studs |
| | 70175904 | Control Door Assembly | JT models; Includes studs |
| 3 | 70119101 | Latch Mounting Bracket | |
| 4 | 501524 | Screw | |
| 5 | 431318 | Control Door Latch | |
| 6 | M414049P | Control Kit | |
| 7 | M414120 | Card Reader Mounting Bracket | |
| 8 | 39685P | Card Reader | |
| 9 | 70054 | Nut | |
| 10 | 70119001 | Chassis Mounting Bracket | |
| 11 | 430497 | Screw | |

Electromechanical Coin Drop Components



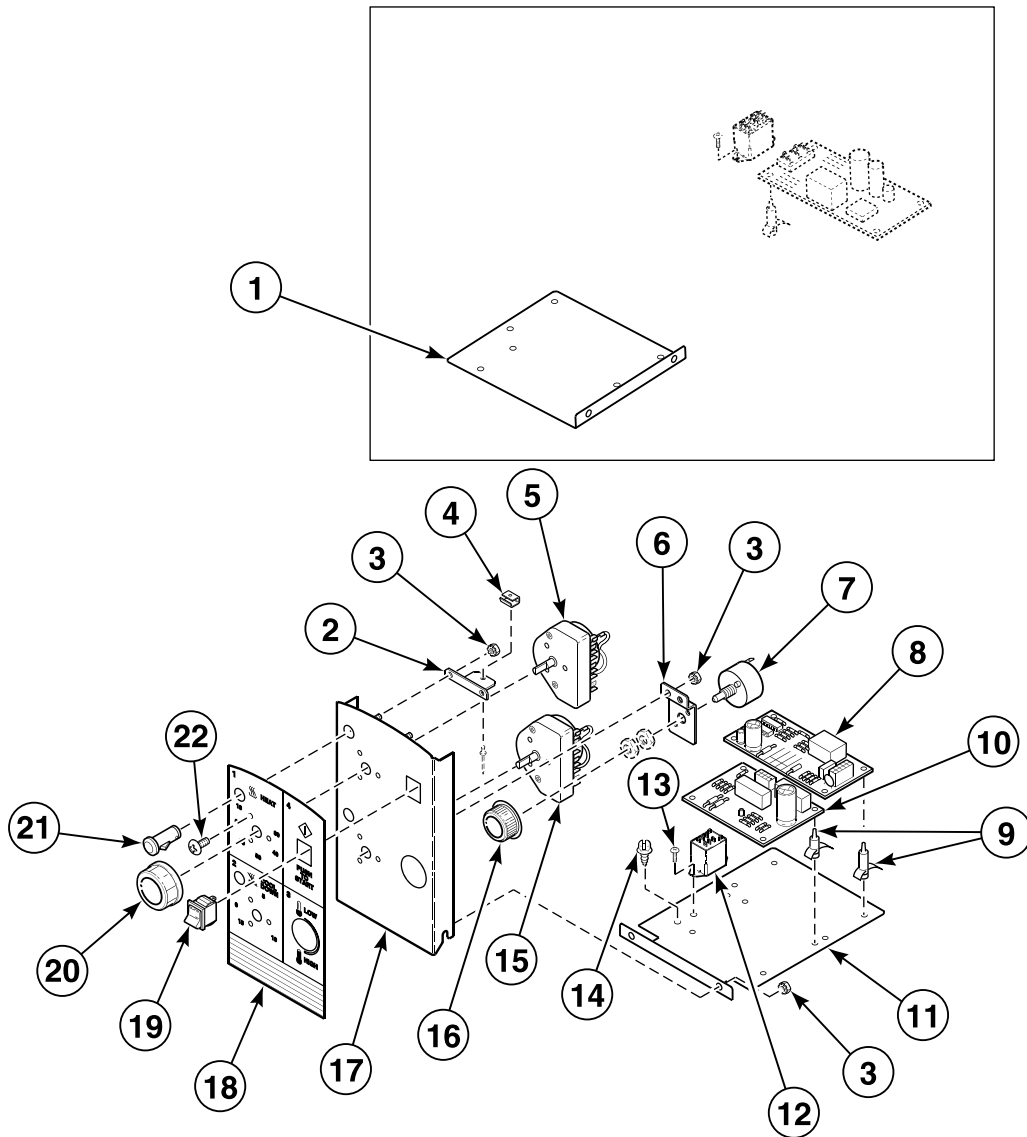
TMB1990P_70185001

Electromechanical Coin Drop Components

| REF | PART NO. | DESCRIPTION | COMMENTS |
|-----|-----------|--------------------------------|--|
| | 70218201 | Timer Motor | CD control suffix; 24 Volt/60 Hertz |
| | 70218301 | Timer Motor | CD control suffix; 24 Volt/50 Hertz |
| | M4693P3 | Coin Meter Control Kit | S models |
| | M4723P3 | Coin Meter Control Kit | J models |
| 1 | 70118901 | Mounting Bracket | Models through Serial No. 9806013546 |
| 2 | M402797 | Screw | |
| 3 | M412534 | Relay | |
| 4 | 431347P | Thermostat Module | |
| 5 | 34896 | Circuit Board Support | 4 required for models through Serial No. 9806013546; 8 required for models starting Serial No. 9806013547 |
| 6 | M402917 | Screw | Ground |
| 7 | M405535 | Washer | |
| 8 | 70054 | Nut | |
| 9 | N/A | Coin Meter | 24 Volt; Australia; \$.20 |
| | 70112501P | Coin Meter | 24 Volt; Australia; \$1.00 |
| | 70112701P | Coin Meter | 24 Volt/60 Hertz; U.S.; \$.25 |
| | 70137301P | Coin Meter | 24 Volt/60 Hertz; Standard token; 118-1 |
| | 70137401P | Coin Meter | 24 Volt/60 Hertz; Standard token; 118-5 |
| | 70138401P | Coin Meter | 24 Volt/50 Hertz; U.S.; \$.25 |
| | 70151301 | Coin Meter | 24 Volt; South Africa; .20 |
| | M412546 | Coin Meter | 24 Volt/50 Hertz; Standard token; 118-1 |
| | M412547 | Coin Meter | 24 Volt/50 Hertz; Standard token; 118-5 |
| | 70262401 | Coin Meter | 24 Volt; Euro; .20 |
| | 70262501 | Coin Meter | 24 Volt; Euro; .50 |
| 10 | 70061701 | Rotary Drop Shroud | |
| 11 | 70080601 | Temperature Knob | S models |
| | 431357 | Temperature Knob | J models |
| 12 | 70175907 | Control Door Assembly | S models; Includes studs |
| | 70175908 | Control Door Assembly | J models; Includes studs |
| 13 | 70082201 | Indicator Light | |
| 14 | 70108501 | Start Switch | |
| 15 | 70115501 | Overlay | JT models |
| | 70136801 | Overlay | JC models; Icon |
| | 70128201 | Overlay | S models |
| 16 | 70119801 | Latch Mounting Bracket | |
| 17 | 70179001 | Mounting Bracket | Models starting Serial No. 9806013547 |
| 18 | 70175301P | Timer Control Assembly | Models starting Serial No. 9806013547 |
| 19 | 431318 | Control Door Latch | |
| 20 | 70108001 | Potentiometer Mounting Bracket | |
| 21 | 431353P | Potentiometer | Temperature switch; Includes nuts |

N/A = Part no longer available

Manual Dual Timer Control



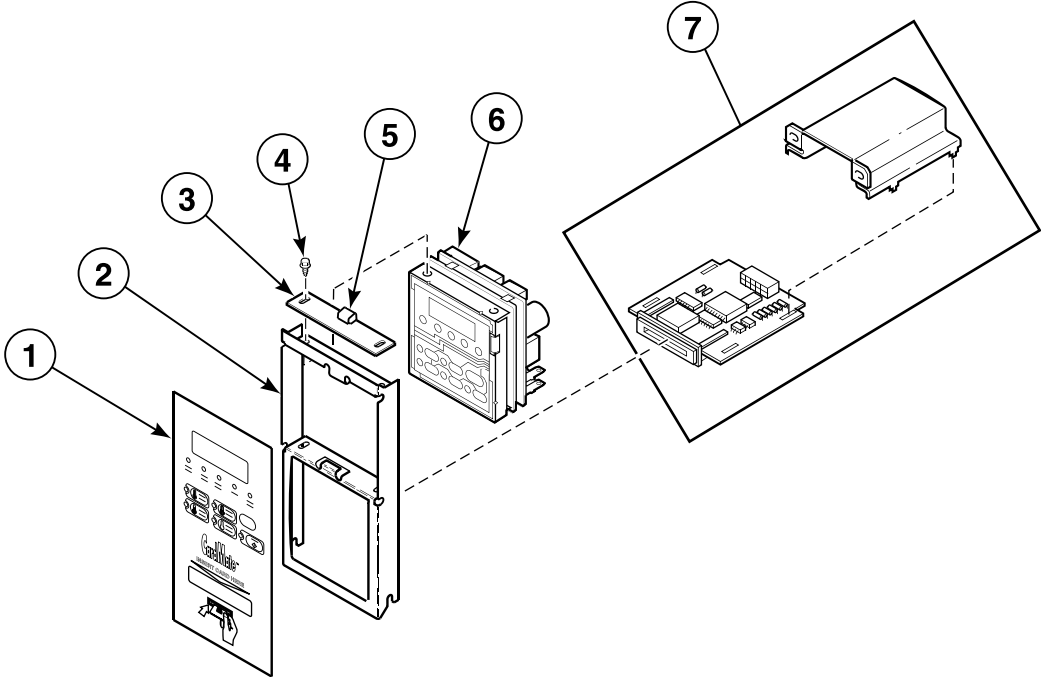
TMB1991P_70185001

Manual Dual Timer Control

| REF | PART NO. | DESCRIPTION | COMMENTS |
|-----------|-----------|--------------------------------|--|
| | M4694P3 | Manual Timer Control Kit | SC and ST models |
| | M4724P3 | Manual Timer Control Kit | JC and JT models |
| 1 | 70131301 | Mounting Bracket | Models through Serial No. 9806013546 |
| 2 | 70119801 | Latch Mounting Bracket | |
| 3 | 70054 | Nut | |
| 4 | 431318 | Control Door Latch | |
| 5 | M412080P | Timer | Heat; 50 Hertz; 60 minute; 24 Volt |
| | 70131701P | Timer | Heat; 60 Hertz; 60 minute; 24 Volt |
| 6 | 70108001 | Potentiometer Mounting Bracket | |
| 7 | 431353P | Potentiometer | Temperature switch; Includes nuts |
| 8 | 431347P | Thermostat Module | |
| 9 | 34896 | Circuit Board Support | 4 required for models through Serial No. 9806013546; 8 required for models starting Serial No. 9806013547 |
| 10 | 70175301P | Timer Control Assembly | |
| 11 | 70179101 | Mounting Bracket | Models starting Serial No. 9806013547 |
| 12 | M412534 | Relay | 2 required per control |
| 13 | M402797 | Screw | |
| 14 | M402917 | Screw | Ground |
| 15 | M412079P | Timer | Cooling; 50 Hertz; 15 minute; 24 Volt |
| | 70131801P | Timer | Cooling; 60 Hertz; 15 minute; 24 Volt |
| 16 | 431357 | Temperature Knob | JC and JT models |
| | 70080601 | Temperature Knob | SC and ST models |
| 17 | N/A | Control Door Assembly | SC and ST models; Includes studs |
| | 70175906 | Control Door Assembly | JC and JT models; Includes studs |
| 18 | 70114401 | Overlay | JT models |
| | 70128101 | Overlay | ST models |
| | 70129901 | Overlay | Upper; P models |
| | N/A | Overlay | Lower; P models |
| | N/A | Overlay | SC models; Icon |
| | 70135601 | Overlay | JC models; Icon |
| 19 | 70108501 | Start Switch | |
| 20 | 70082101 | Timer Knob | SC and ST models |
| | M410927 | Knob | JC and JT models |
| 21 | 70082201 | Indicator Light | |
| 22 | M411052 | Screw | |

N/A = Part no longer available

NetMaster Card Reader

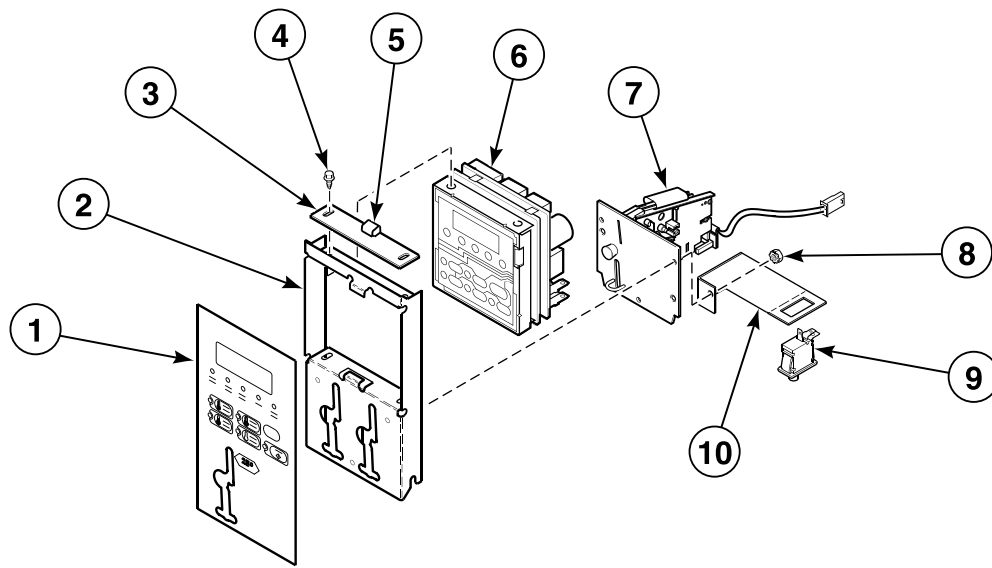


TMB368P_70185001

NetMaster Card Reader

| REF | PART NO. | DESCRIPTION | COMMENTS |
|----------|----------|--------------------------------------|-----------------------|
| | 70211801 | Card Reader Harness Assembly | Non-networked |
| | 70206601 | Card Reader Network Harness Assembly | |
| 1 | 70184201 | Overlay | Card reader installed |
| | 70235101 | Overlay | Card reader ready |
| 2 | 70175911 | Control Door Assembly | |
| | 70348901 | Control Plate Assembly | Card ready; ST models |
| | 70349001 | Control Plate Assembly | Card ready; JT models |
| 3 | 70184501 | Latch Mounting Bracket | |
| 4 | 501524 | Screw | |
| 5 | 431318 | Control Door Latch | |
| 6 | 505905P | Control Kit | |
| 7 | 510068P | Card Reader and Bracket Assembly | |

NetMaster Coin Drop



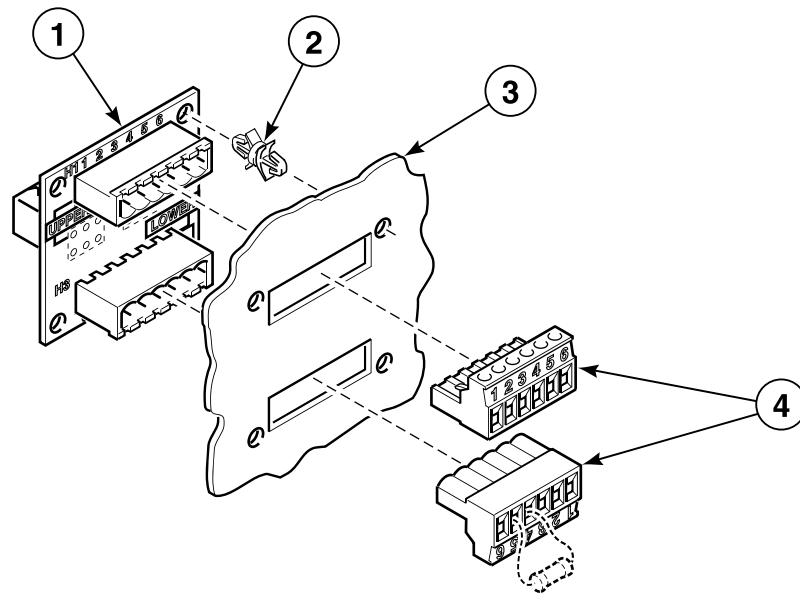
TMB371P_70185001

NetMaster Coin Drop

| REF | PART NO. | DESCRIPTION | COMMENTS |
|-----|-----------|------------------------|-----------------------------|
| | 200674P | Opto Coupler | |
| 1 | 70184101 | Overlay | ST models; Single drop |
| | 70239401 | Overlay | JT models; Single drop |
| | 70239402 | Overlay | JT models; Dual drop |
| | 70184102 | Overlay | ST models; Dual drop |
| 2 | 70175909 | Control Door Assembly | ST models |
| | 70175910 | Control Door Assembly | JT models |
| 3 | 70184501 | Latch Mounting Bracket | |
| 4 | 501524 | Screw | |
| 5 | 431318 | Control Door Latch | |
| 6 | 505905P | Control Kit | |
| 7 | 38462P | Coin Drop Assembly | Token; 118-1 |
| | 38463 | Coin Drop Assembly | Token; 118-5 |
| | 38464P | Coin Drop Assembly | Canada; \$.25 |
| | 200578P | Coin Drop Assembly | Canada; \$.25 and 1.00 |
| | 38467 | Coin Drop Assembly | Australia; \$.20 and 1.00 |
| | 38479P | Coin Drop | U.S.; \$.25; Single |
| | 70256402P | Coin Drop | U.S.; \$.25 and 1.00; Dual |
| | 38519 | Coin Drop Assembly | Japan; 100 and 500 yen |
| | 38475 | Coin Drop Assembly | Japan; 100 yen |
| | 38521 | Coin Drop Assembly | Korea; 100 and 500 won |
| | 38522 | Coin Drop Assembly | New Zealand; \$.20 and 1.00 |
| | 38963P | Coin Drop | Token; 118-16 |
| | N/A | Coin Drop Assembly | Dual; Taiwan |
| | 38478 | Coin Drop Assembly | Taiwan; 10NT |
| | 39157 | Coin Drop Assembly | Israel; Shekel |
| | 70273802 | Coin Drop Assembly | 5 and 10 Krone |
| 8 | 70054 | Nut | |
| 9 | 70107001 | Pushbutton Switch | |
| 10 | 70183901 | Audit Switch Bracket | |

N/A = Part no longer available

NetMaster Network Interface Board

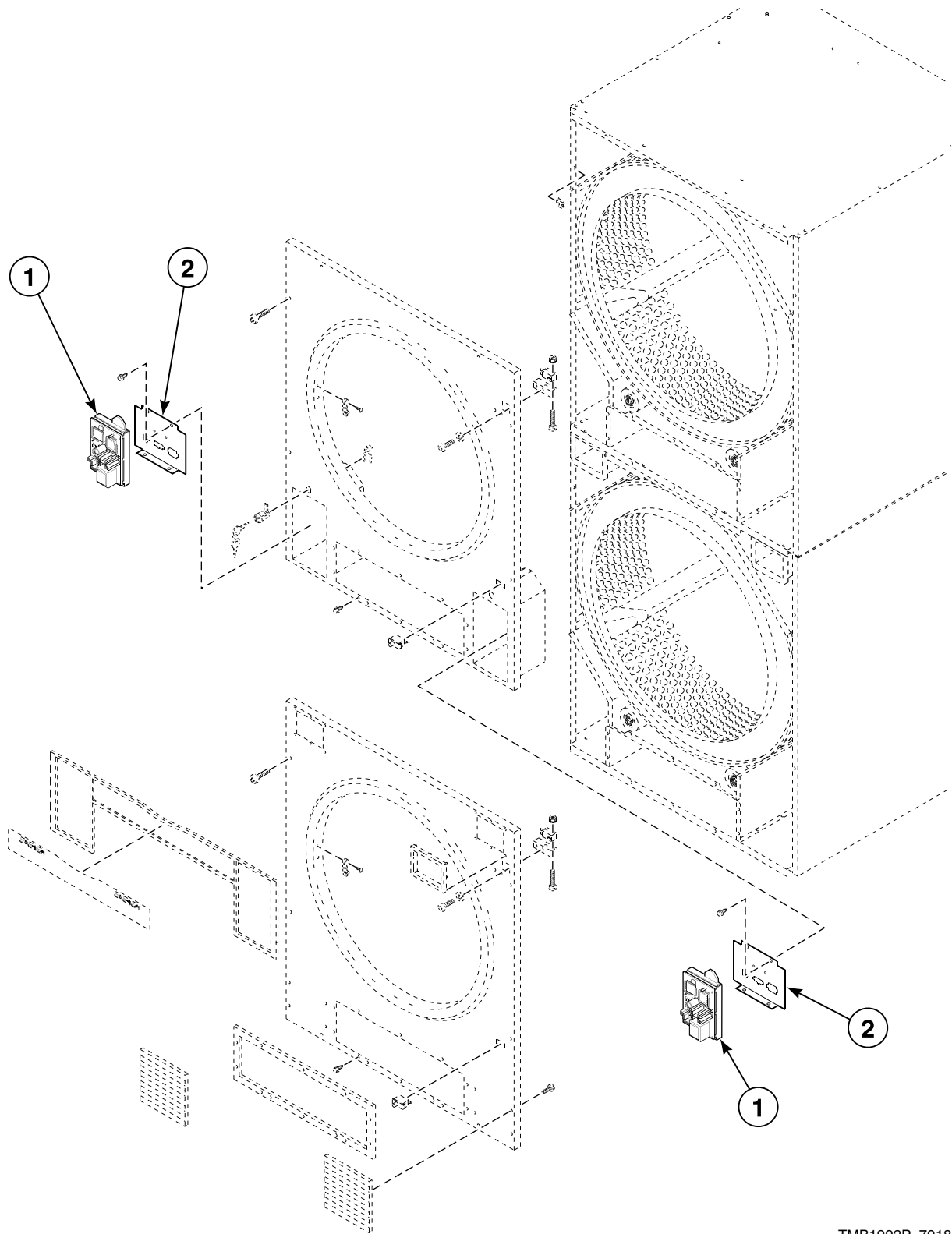


TMB1993P_70185001

NetMaster Network Interface Board

| REF | PART NO. | DESCRIPTION | COMMENTS |
|-----|----------|--------------------------------|------------|
| | 70211101 | Communication Harness Assembly | |
| 1 | 210097 | Communication Board | |
| 2 | 210098 | PC Board Standoff | 4 required |
| 3 | 70205401 | Communication Board Bracket | |
| 4 | 210099 | Communication Connector | |

NetMaster Network Board

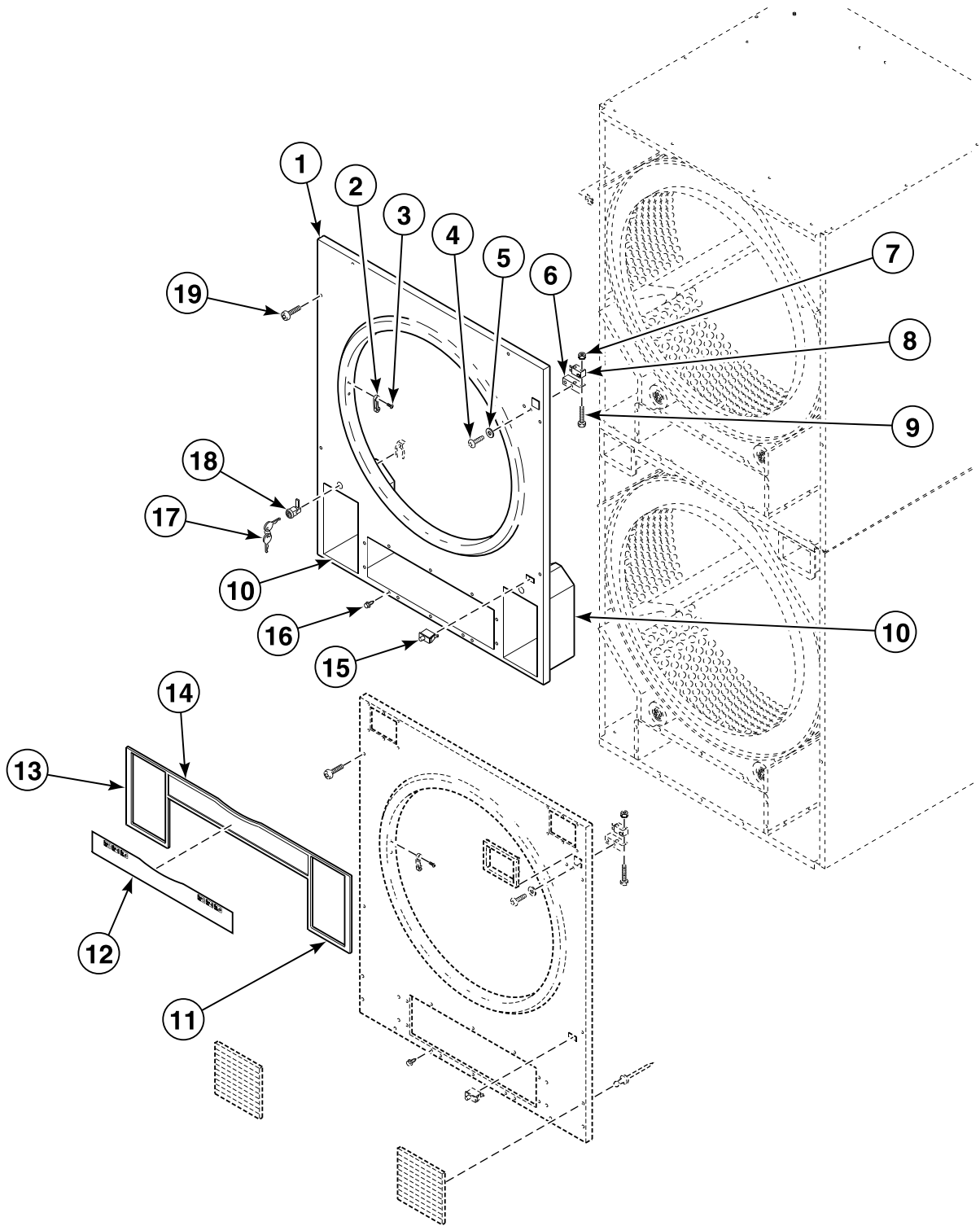


TMB1992P_70185001

NetMaster Network Board

| REF | PART NO. | DESCRIPTION | COMMENTS |
|-----|----------|-------------------------------|----------|
| | 800217 | Network Wire Harness Assembly | |
| 1 | 210016P | Network Board Assembly | |
| 2 | 70203201 | Control Housing Cover | |

Upper Front Panel Components



TMB1994P_70185001

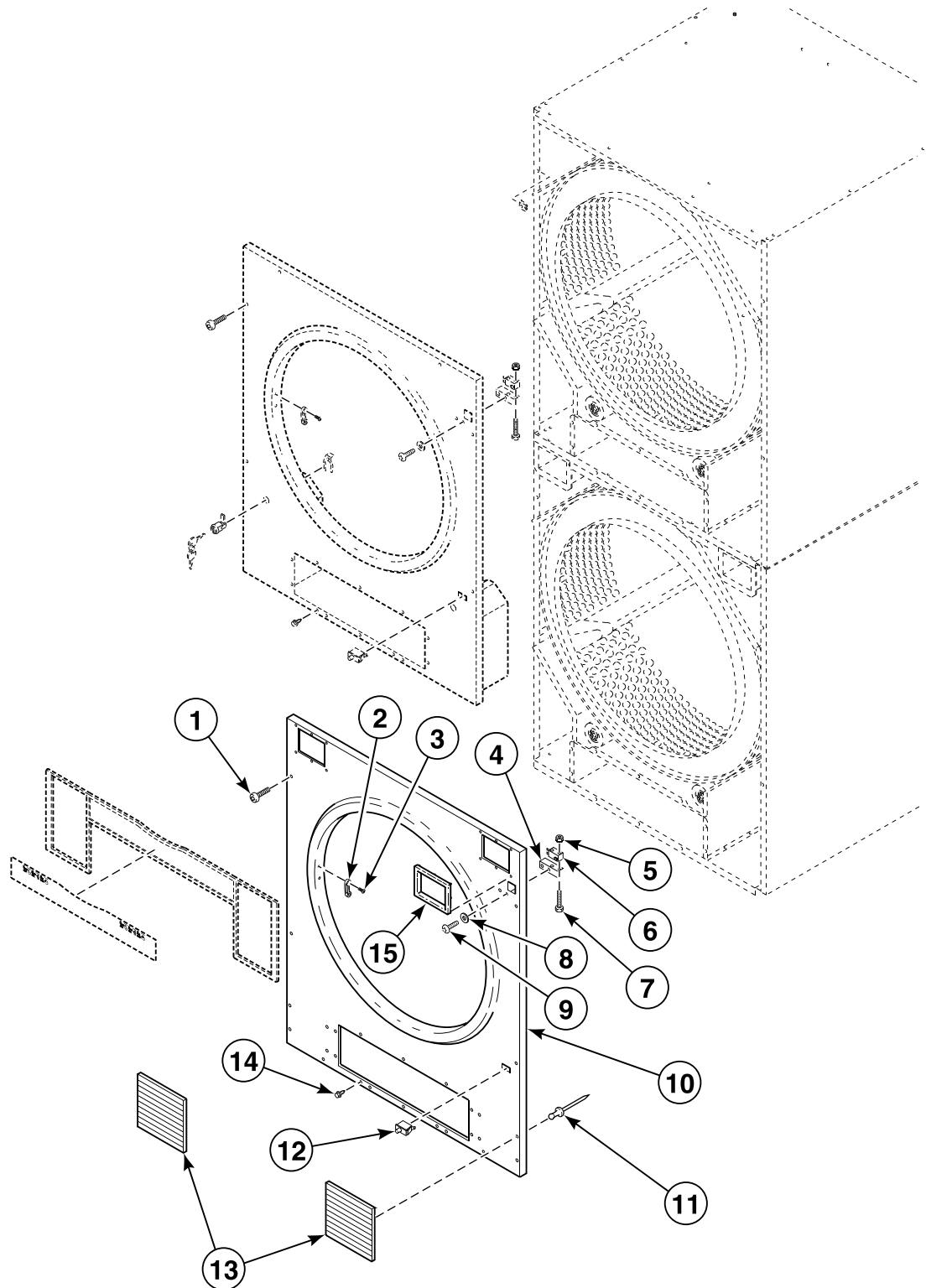
Upper Front Panel Components

| REF | PART NO. | DESCRIPTION | COMMENTS |
|-----------|------------|--|---|
| | 70235301 | Emergency Stop Switch Harness Assembly | DC, JC, PC and SC models with MT control suffix |
| | 70173401P | Front Panel Filler | |
| | M400972 | Shadow Box Clip | |
| | 44018801 | Pushbutton | JC and SC models with MT control suffix; If replacing this part, also order 44018701 Contact Block and 44018901 Contact Block |
| | M412235 | Emergency Stop Label | JC and SC models with MT control suffix |
| | 70116701 | Contact Block | JC and SC models with MT control suffix |
| 1 | 70176001*P | Upper Front Panel Assembly | JT and ST models; Includes items 2 and 3 |
| | 70176002P | Upper Front Panel Assembly | Stainless steel; JT and ST models; Includes items 2 and 3 |
| | 70176003* | Upper Front Panel Assembly | JC and SC models; Includes items 2 and 3 |
| | 70176004P | Upper Front Panel Assembly | JC and SC models; Includes items 2 and 3 |
| 2 | M401223 | Door Latch | |
| 3 | M400003 | Pop Rivet | |
| 4 | 70132301 | Screw | JC and SC models |
| 5 | F430311 | Washer | JC and SC models |
| 6 | 70119301 | Door Switch Bracket | JC and SC models |
| 7 | 70072901 | Nut | JC and SC models |
| 8 | 70125101 | Door Switch | JC and SC models |
| 9 | M401938 | Screw | JC and SC models |
| 10 | 70119901 | Control Housing | |
| 11 | 70116901 | Control Trim | Right; S models |
| | 70117001 | Control Trim | Left and right; J models |
| 12 | 70114601 | Overlay | S models |
| | 70137001 | Overlay | P models |
| 13 | 70116902 | Control Trim | Left; S models |
| 14 | 70120501 | Control Trim | Center; S models |
| 15 | 70107001 | Pushbutton Switch | |
| 16 | M411072 | Screw | |
| 17 | 70155601 | Key | Refer to note; RL001 |
| 18 | 44089301P | Lock, Key and Nut Kit | Refer to note; RL001 |
| 19 | 70033502 | Screw | |

NOTE: Locks with key codes H2133, H2141 are no longer available. When replacing these items, order both lock and key.

*** Add Letter To Designate Color. B - Battina Green H - Harvest Gold K - Red L - Almond P - Turquoise V - Orange W - White X - Electric Blue**

Lower Front Panel Components



TMB1994P_70185001

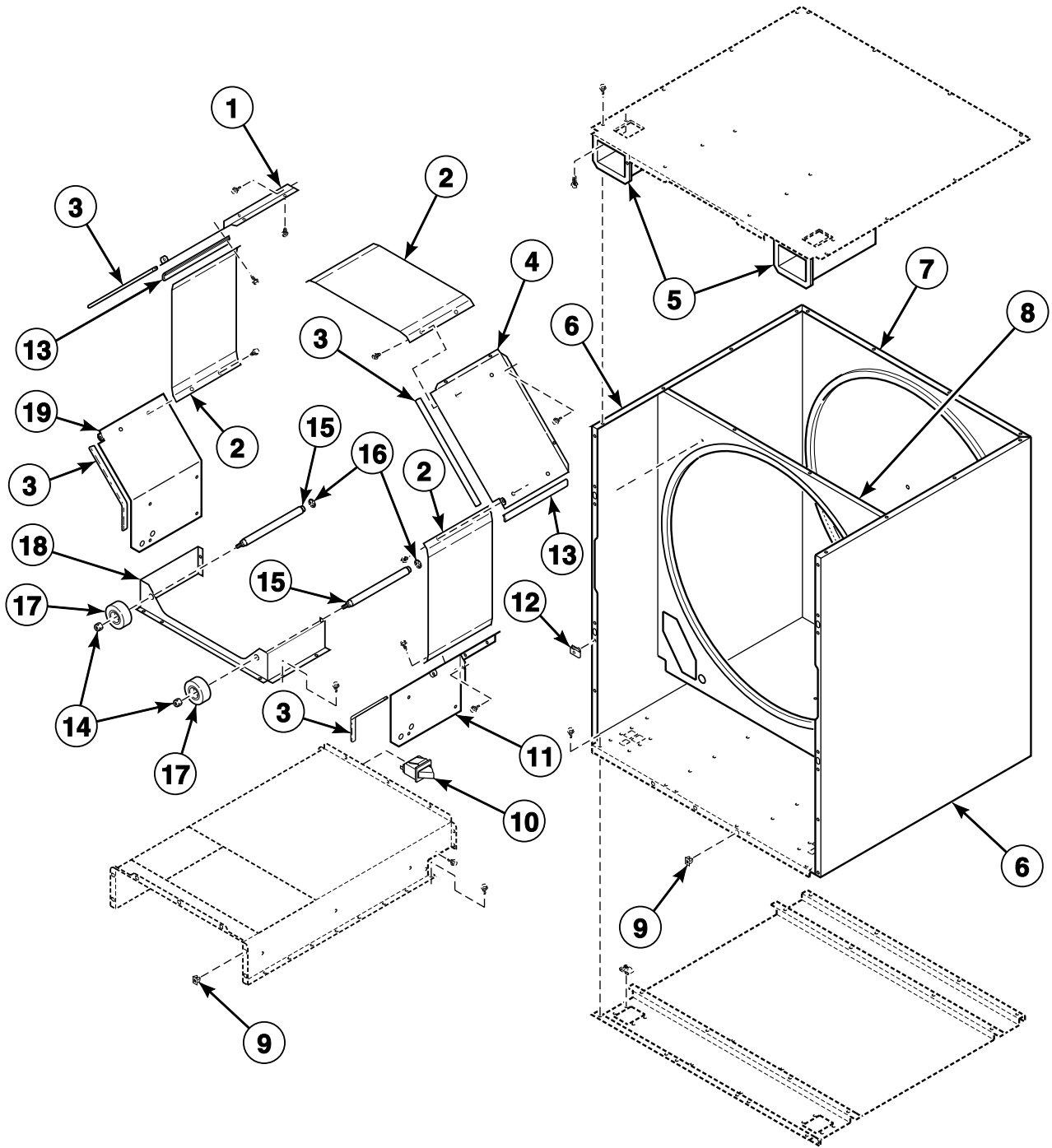
Lower Front Panel Components

| REF | PART NO. | DESCRIPTION | COMMENTS |
|-----------|------------|----------------------------|--|
| | 70173401P | Front Panel Filler | |
| | 70069901 | Screw | Mounted vertically to secure top of lower front panel |
| 1 | 70033502 | Screw | |
| 2 | M401223 | Door Latch | |
| 3 | M400003 | Pop Rivet | |
| 4 | 70119301 | Door Switch Bracket | JC and SC models |
| 5 | 70072901 | Nut | JC and SC models |
| 6 | 70125101 | Door Switch | JC and SC models |
| 7 | M401938 | Screw | JC and SC models |
| 8 | F430311 | Washer | JC and SC models |
| 9 | 70132301 | Screw | JC and SC models |
| 10 | 70176101*P | Lower Front Panel Assembly | JT and ST coin models; Includes items 2 and 3 |
| | 70176102P | Lower Front Panel Assembly | Stainless steel; JT and ST coin models; Includes items 2 and 3 |
| | 70176103*P | Lower Front Panel Assembly | JT and ST OPL models; Includes items 2 and 3 |
| | 70176104P | Lower Front Panel Assembly | Stainless steel; JT and ST OPL models; Includes items 2 and 3 |
| | 70176105*P | Lower Front Panel Assembly | JC and SC coin models; Includes items 2 and 3 |
| | 70176106 | Lower Front Panel Assembly | Stainless steel; JC and SC coin models; Includes items 2 and 3 |
| | 70176107*P | Lower Front Panel Assembly | JC and SC OPL models; Includes items 2 and 3 |
| | 70176108 | Lower Front Panel Assembly | Stainless steel; JC and SC OPL models; Includes items 2 and 3 |
| 11 | 70126401 | Pop Rivet | |
| 12 | 70107001 | Pushbutton Switch | |
| 13 | 70117605 | Kickplate | S models |
| | 70117606 | Kickplate | J models |
| 14 | M411072 | Screw | |
| 15 | 70117501 | Coin Vault Trim | Gray; J models |
| | 70117502 | Coin Vault Trim | Black; S models |
| | N/A | Coin Vault Trim | White; P models |

* Add Letter To Designate Color. **B** - Battina Green **H** - Harvest Gold **K** - Red **L** - Almond **P** - Turquoise **V** - Orange
W - White **X** - Electric Blue

N/A = Part no longer available

Upper Cylinder Support Components



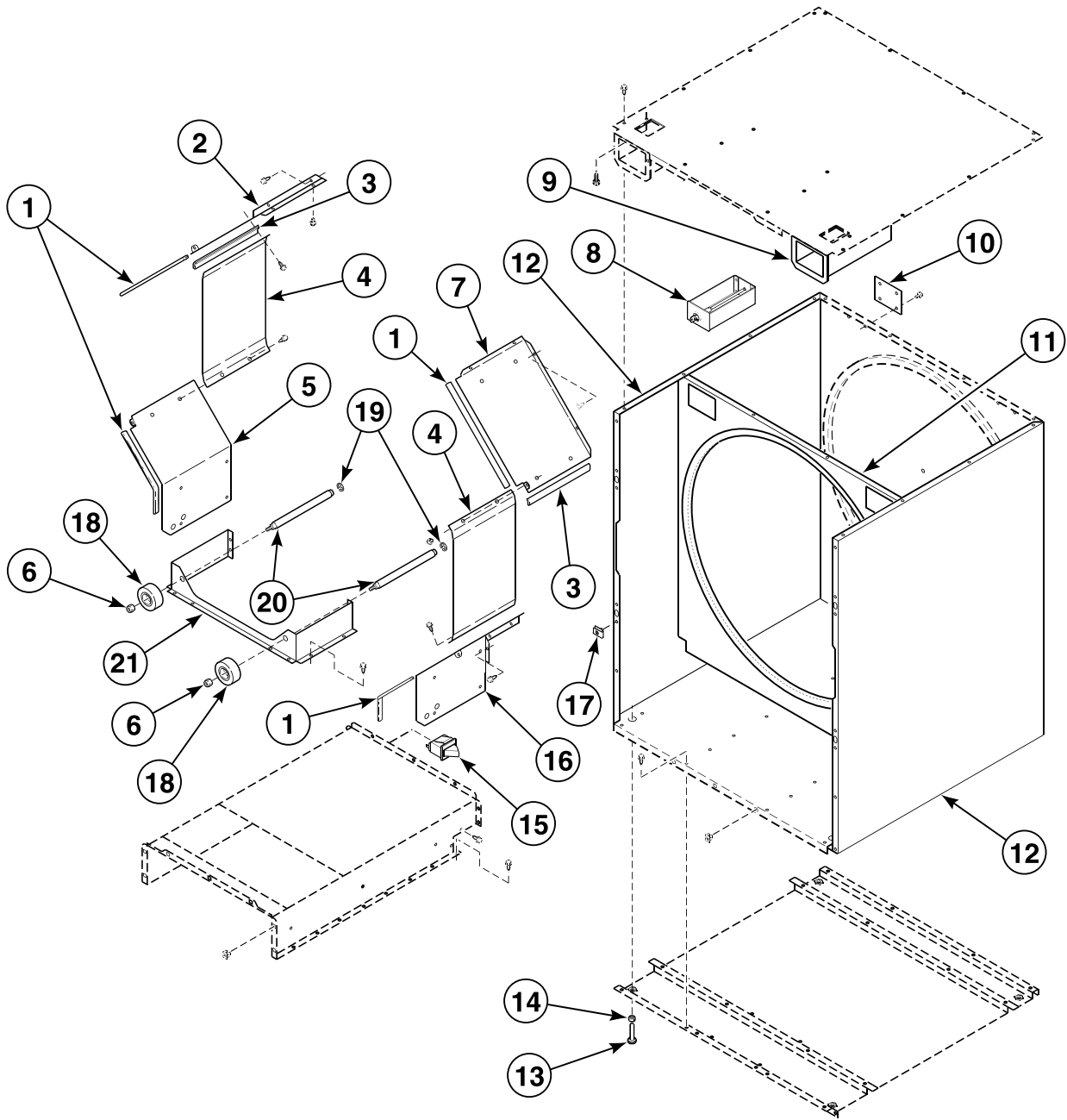
TMB2204P_70185001

Upper Cylinder Support Components

| REF | PART NO. | DESCRIPTION | COMMENTS |
|-----|------------|------------------------------------|--|
| | 70235201 | Coin Vault Switch Harness Assembly | EDC; Coin |
| | 70058501 | Pop Rivet | 31 per side panel |
| 1 | 70022101 | Partition Baffle | Upper left |
| | 70232602 | Partition Baffle | Upper left; Models starting Serial No. 0001017880 |
| 2 | 70036601 | Thermal Shield | Discontinued after Serial No. 9807017397 |
| 3 | 70015701 | Baffle Gasket | 11.38 inches |
| 4 | 70022001 | Partition Baffle | Upper right |
| | 70232601 | Partition Baffle | Upper right; Models starting Serial No. 0001017880 |
| 5 | 70180101 | Coin Vault Assembly | |
| 6 | 70056601*P | Side Panel | |
| 7 | 70243401P | Rear Panel | Gas models |
| | 70243402 | Rear Panel | Electric or steam models |
| 8 | 70066003 | Center Cylinder Seal Assembly | |
| 9 | 70030501 | Expansion Clip | |
| 10 | 431159 | Lint Drawer Switch | |
| 11 | 70057101 | Partition Baffle | Lower right |
| | 70232701 | Partition Baffle | Lower right; Models starting Serial No. 0001017880 |
| 12 | 70030401 | Nut | |
| 13 | 70015702 | Baffle Gasket | 8.75 inches |
| | 70015705 | Baffle Gasket | Models starting Serial No. 0001017880 |
| 14 | 430576 | Nut | |
| 15 | 70017701 | Roller Shaft | |
| | 70232001 | Roller Shaft | Models starting Serial No. 0001017880 |
| 16 | 70023601 | Retaining Ring | |
| 17 | 70298701P | Roller Bearing Assembly | |
| 18 | 70055001 | Roller Support Bracket | |
| | 70231901 | Roller Support Bracket | Models starting Serial No. 0001017880 |
| 19 | 70198801 | Partition Baffle | Lower left |
| | 70232801 | Partition Baffle | Lower left; Models starting Serial No. 0001017880 |

* Add Letter To Designate Color. B - Battina Green H - Harvest Gold K - Red L - Almond P - Turquoise V - Orange
W - White X - Electric Blue

Lower Cylinder Support Components



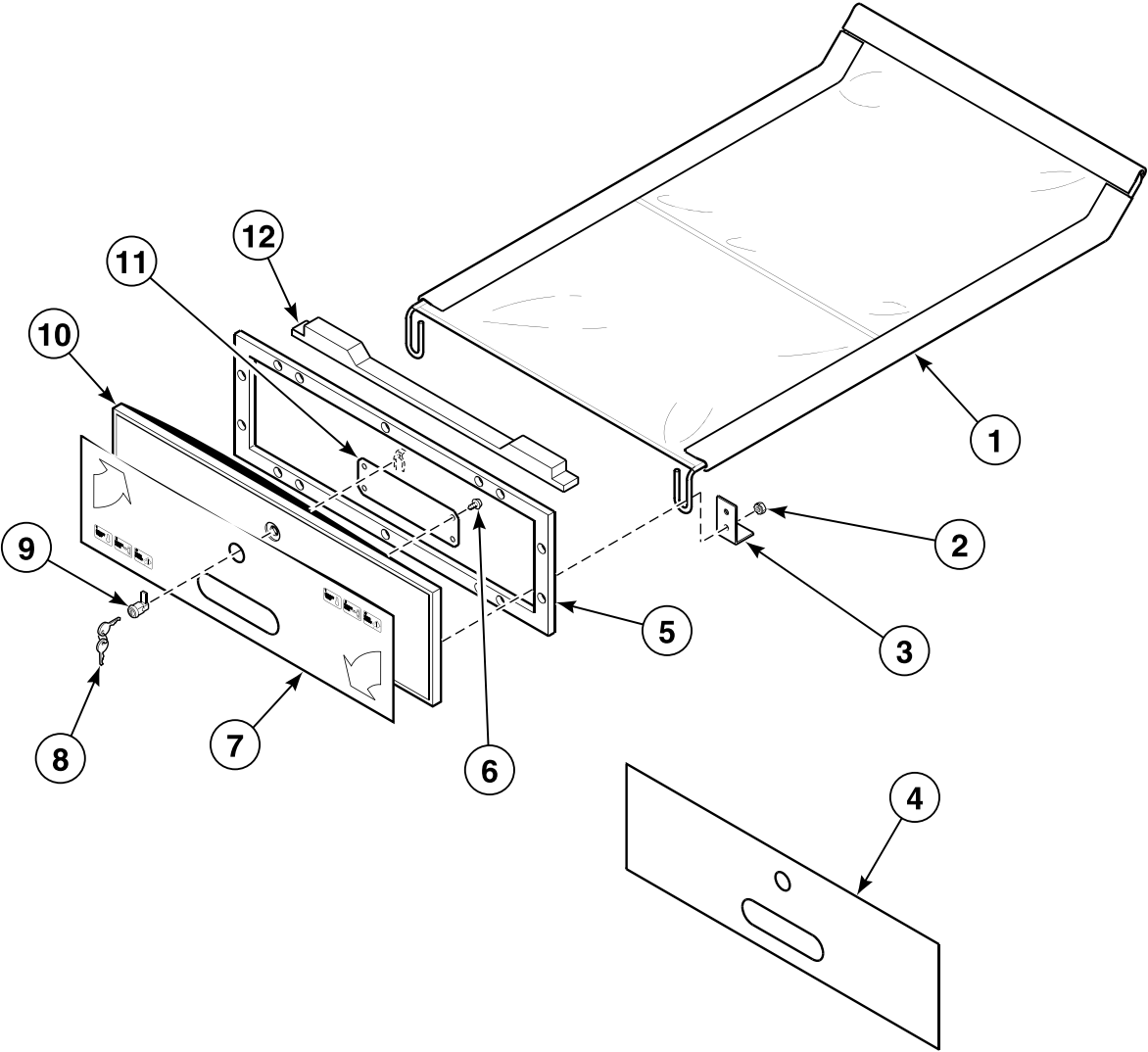
T435PZ3B_70185001

Lower Cylinder Support Components

| REF | PART NO. | DESCRIPTION | COMMENTS |
|-----------|------------|------------------------------------|--|
| | 70235201 | Coin Vault Switch Harness Assembly | EDC; Coin |
| | 70058502 | Pop Rivet | 13 per coin vault |
| | 70058501 | Pop Rivet | 31 per side panel |
| | 70296401 | Coin Chute Assembly | |
| | 70226701 | Clip | Center seal |
| 1 | 70015701 | Baffle Gasket | 11.38 inches |
| 2 | 70215302 | Partition Baffle | Upper left |
| | 70232602 | Partition Baffle | Upper left; Models starting Serial No. 0001017880 |
| 3 | 70015702 | Baffle Gasket | 8.75 inches |
| | 70015705 | Baffle Gasket | Models starting Serial No. 0001017880 |
| 4 | 70036601 | Thermal Shield | |
| 5 | 70198801 | Partition Baffle | Lower left |
| | 70232801 | Partition Baffle | Lower left; Models starting Serial No. 0001017880 |
| 6 | 430576 | Nut | |
| 7 | 70215303 | Partition Baffle | Upper right |
| | 70232601 | Partition Baffle | Upper right; Models starting Serial No. 0001017880 |
| 8 | F160673 | Coin Box | Includes lock and key |
| 9 | 70180101 | Coin Vault Assembly | |
| 10 | 70058301 | Cabinet Strap | |
| 11 | 70066003 | Center Cylinder Seal Assembly | Center |
| 12 | 70056601*P | Side Panel | |
| 13 | 34319 | Leveling Leg | |
| 14 | 21899 | Nut | |
| 15 | 431159 | Lint Drawer Switch | |
| 16 | 70198701 | Partition Baffle | Lower right |
| | 70232701 | Partition Baffle | Lower right; Models starting Serial No. 0001017880 |
| 17 | 70030501 | Expansion Clip | |
| 18 | 70298701P | Roller Bearing Assembly | |
| 19 | 70023601 | Retaining Ring | |
| 20 | 70017701 | Roller Shaft | |
| | 70232001 | Roller Shaft | Models starting Serial No. 0001017880 |
| 21 | 70055001 | Roller Support Bracket | |
| | 70231901 | Roller Support Bracket | Models starting Serial No. 0001017880 |

* Add Letter To Designate Color. B - Battina Green H - Harvest Gold K - Red L - Almond P - Turquoise V - Orange
W - White X - Electric Blue

Lint Drawer Components



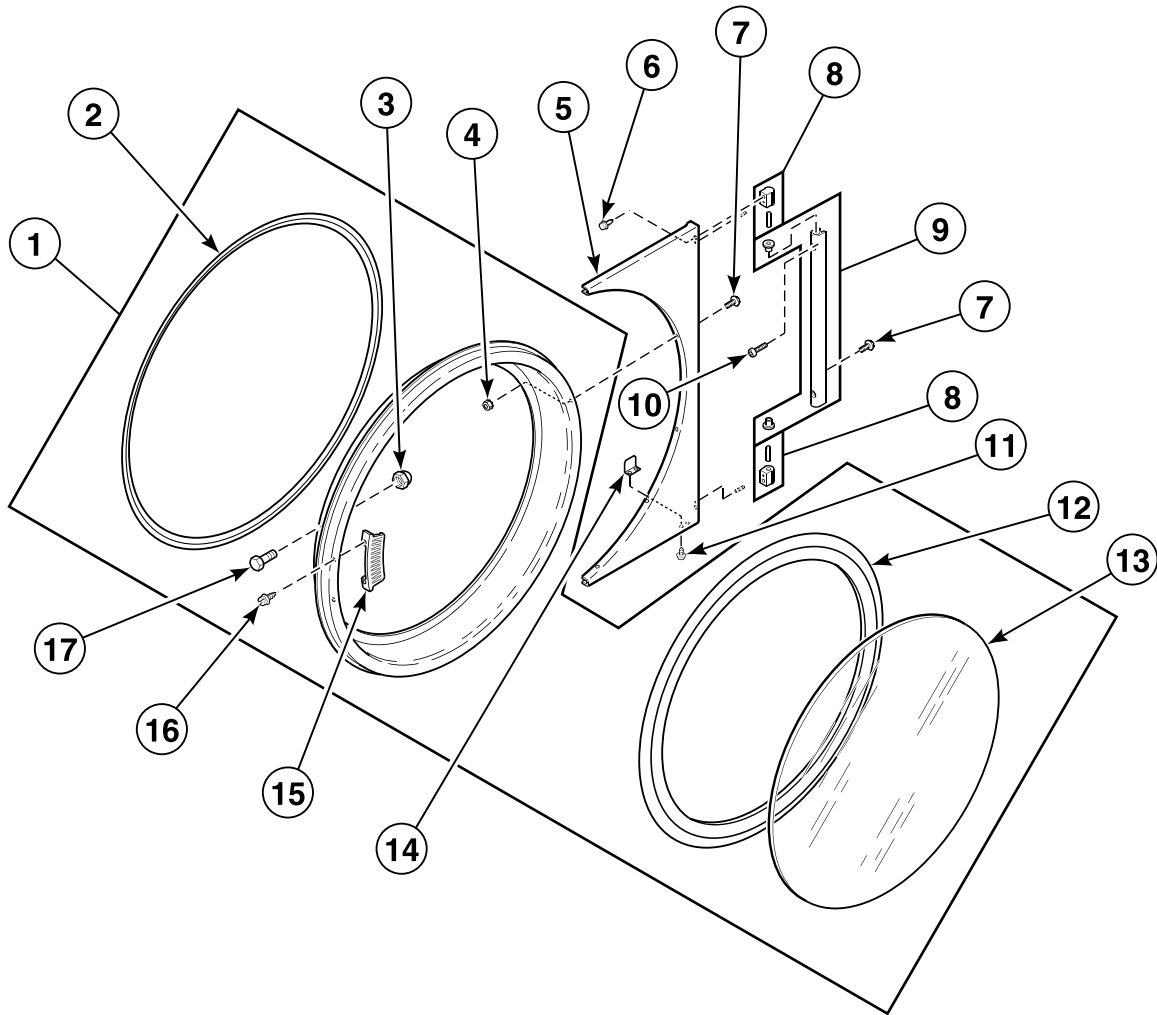
TMB1995P_70185001

Lint Drawer Components

| REF | PART NO. | DESCRIPTION | COMMENTS |
|-----|-----------|----------------------------|--|
| 1 | 70290601 | Lint Screen Assembly | |
| 2 | 29786 | Nut | |
| 3 | 70026901 | Lint Screen Bracket | |
| 4 | 70115301 | Overlay | ST models; Lower lint drawer |
| | 70115201 | Overlay | JT models; Lower lint drawer |
| | 70136601 | Overlay | JC models; Lower lint drawer |
| | 70136401 | Overlay | SC models; Lower lint drawer |
| 5 | 70117901P | Lint Drawer Gasket | |
| 6 | 20852 | Screw | |
| 7 | 70114701 | Overlay | ST models; Upper lint drawer |
| | 70115101 | Overlay | JT models; Upper lint drawer |
| | 70136501 | Overlay | SC models; Upper lint drawer |
| | 70136401 | Overlay | JC models; Upper lint drawer |
| 8 | 70155601 | Key | RL001; For use on top access panel only; Refer to note |
| | 70155602 | Key | RL002; For use on top access panel and lint drawer; Refer to note |
| 9 | 44089301P | Lock, Key and Nut Kit | RL001 key code; For use on top access panel only; Refer to note |
| | 44089302P | Lock, Key and Nut Kit | RL002 key code; For use on top access panel and lint drawer; Includes spring clip; Refer to note |
| 10 | 70173801 | Lint Screen Panel Assembly | J models; Includes studs |
| | 70173802 | Lint Screen Panel Assembly | S models; Includes studs |
| 11 | 70323201 | Lint Drawer Handle Plate | |
| 12 | 70333101 | Lint Frame Gasket | |

NOTE: Locks with key codes H2133, H2141 are no longer available. When replacing these items, order both lock and key.

Door and Hinge Components



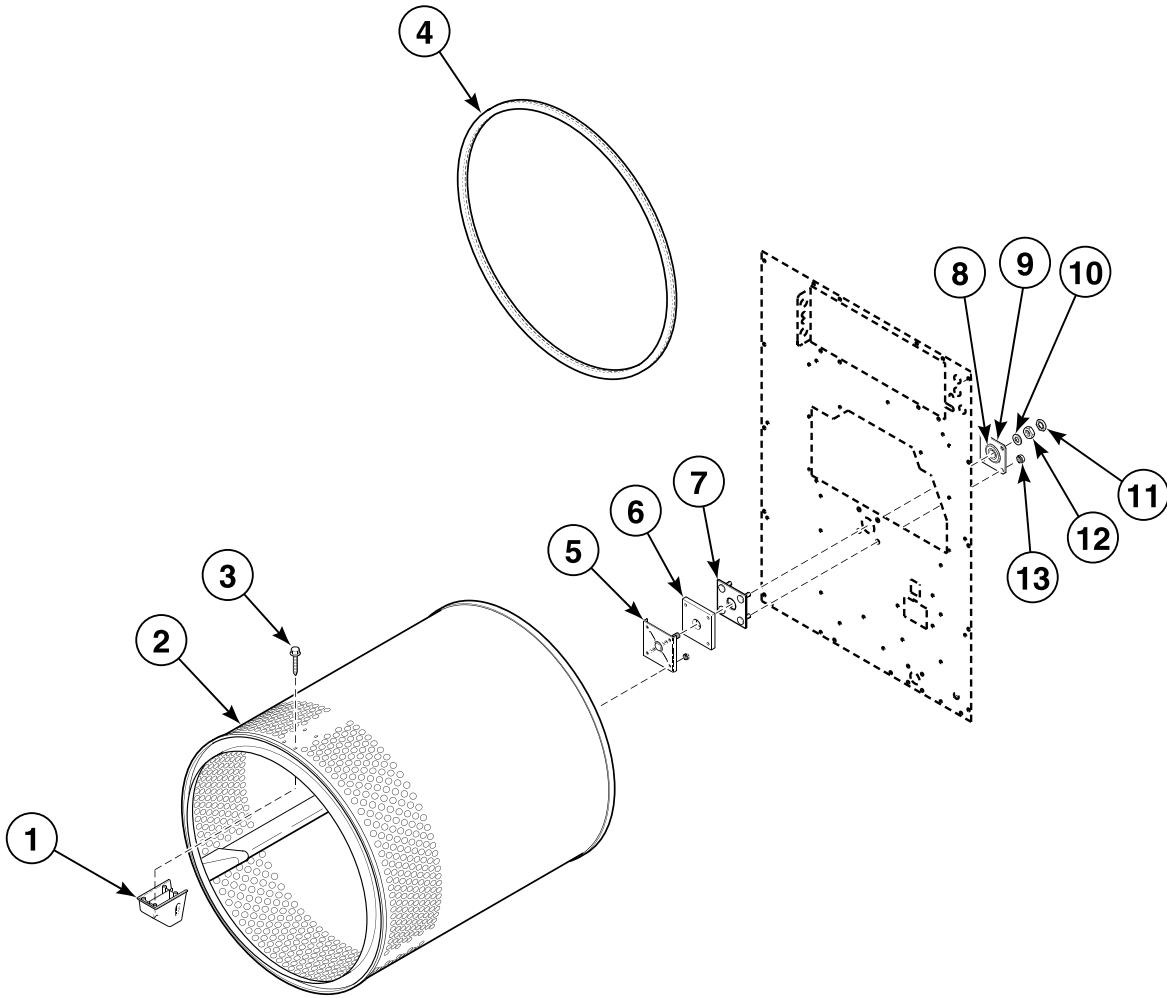
TMB1996P_70185001

Door and Hinge Components

| REF | PART NO. | DESCRIPTION | COMMENTS |
|-----|-----------|-----------------------------|---|
| | 70133501P | Replacement Door Handle Kit | J models |
| 1 | 70212300 | Door Assembly | S models |
| | 44058001 | Door Assembly | J models |
| | 70212200 | Door Assembly | P models |
| 2 | 70296801 | Door Ring Gasket | |
| 3 | M414215 | Nut | For door strike; Mounts between door strike screw and door handle |
| 4 | 23951 | Nut | |
| 5 | 70115901* | Door Hinge | |
| | 70115902 | Door Hinge | Stainless steel |
| 6 | 61199 | Screw | |
| 7 | M400044 | Screw | |
| 8 | M4771P3 | Door Hinge Cam Assembly Kit | |
| 9 | 44035001 | Door Hinge Lug Assembly | |
| 10 | 70033502 | Screw | |
| 11 | 70058501 | Pop Rivet | |
| 12 | 70211901P | Door Glass Seal Kit | |
| 13 | 70133601P | Door Glass | J models |
| | M400784P | Door Glass | S models |
| 14 | 70215001P | Door Switch Actuator Kit | |
| 15 | 70024801 | Door Handle | S models |
| | M400133 | Door Handle | P models |
| 16 | 430757 | Screw | Use with 70024801 Door Handle |
| | M409385 | Screw | Use with 70133501 Door Handle |
| | M409385 | Screw | Use with M400133 Door Handle |
| 17 | M400661 | Screw | |

* Add Letter To Designate Color. B - Battina Green H - Harvest Gold K - Red L - Almond P - Turquoise V - Orange
W - White X - Electric Blue

Cylinder, Trunnion and Bearing



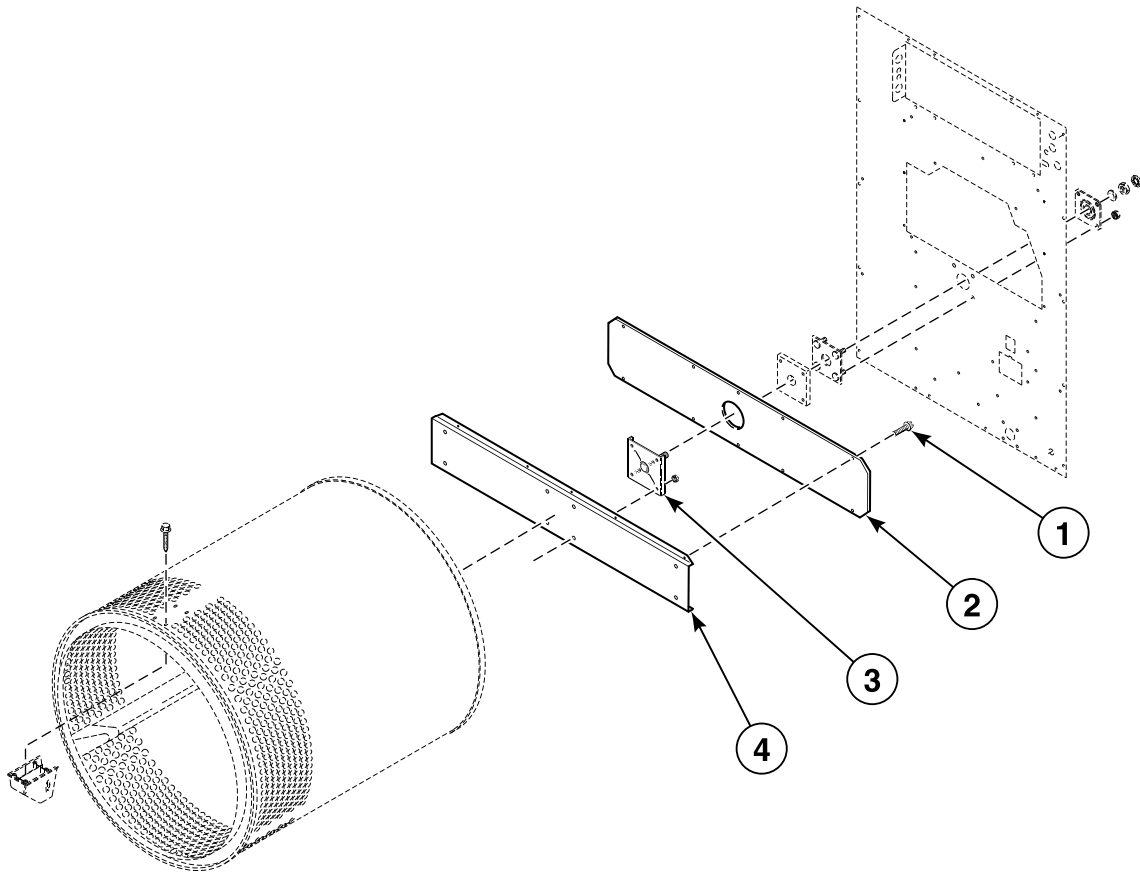
T390PZ3C_70185001

Cylinder, Trunnion and Bearing

| REF | PART NO. | DESCRIPTION | COMMENTS |
|-----|-----------|--------------------------------------|--|
| | 70017201 | Rear Cylinder Seal Support | |
| | 70058501 | Pop Rivet | 10 required; For cylinder seal support |
| | 263P4 | Cylinder Guide Tool | |
| 1 | 70070101 | End Cap | Cylinder baffle |
| 2 | 70222201P | Cylinder Kit | Galvanized |
| | 70222202P | Cylinder Kit | Stainless steel; Includes channel; Perforated rib; Models starting Serial No. 9906019882 |
| | 70334401P | Cylinder Kit | Galvanized; Models starting Serial No. 0001017880 |
| | 70334402P | Cylinder Kit | Stainless steel; Models starting Serial No. 0001017880 |
| 3 | 62588 | Screw | |
| 4 | 70013701P | Rear Cylinder Seal | Use 511637 Adhesive |
| 5 | 70244701P | Trunnion and Seal Kit | |
| 6 | 70193801 | Felt Seal | All models except RG models; Not used on models starting Serial No. 0001017880 |
| 7 | 430352 | Cylinder Bearing Stud Plate Assembly | |
| 8 | 430038 | Support Bearing | |
| 9 | 70013901 | Rear Cylinder Bearing Housing | |
| 10 | M400991 | Washer | |
| 11 | M400034 | Nut | |
| 12 | M400022 | Nut | |
| 13 | M412986 | Nut | |

Cylinder Channel Components

Models Starting Serial No. 0112004168

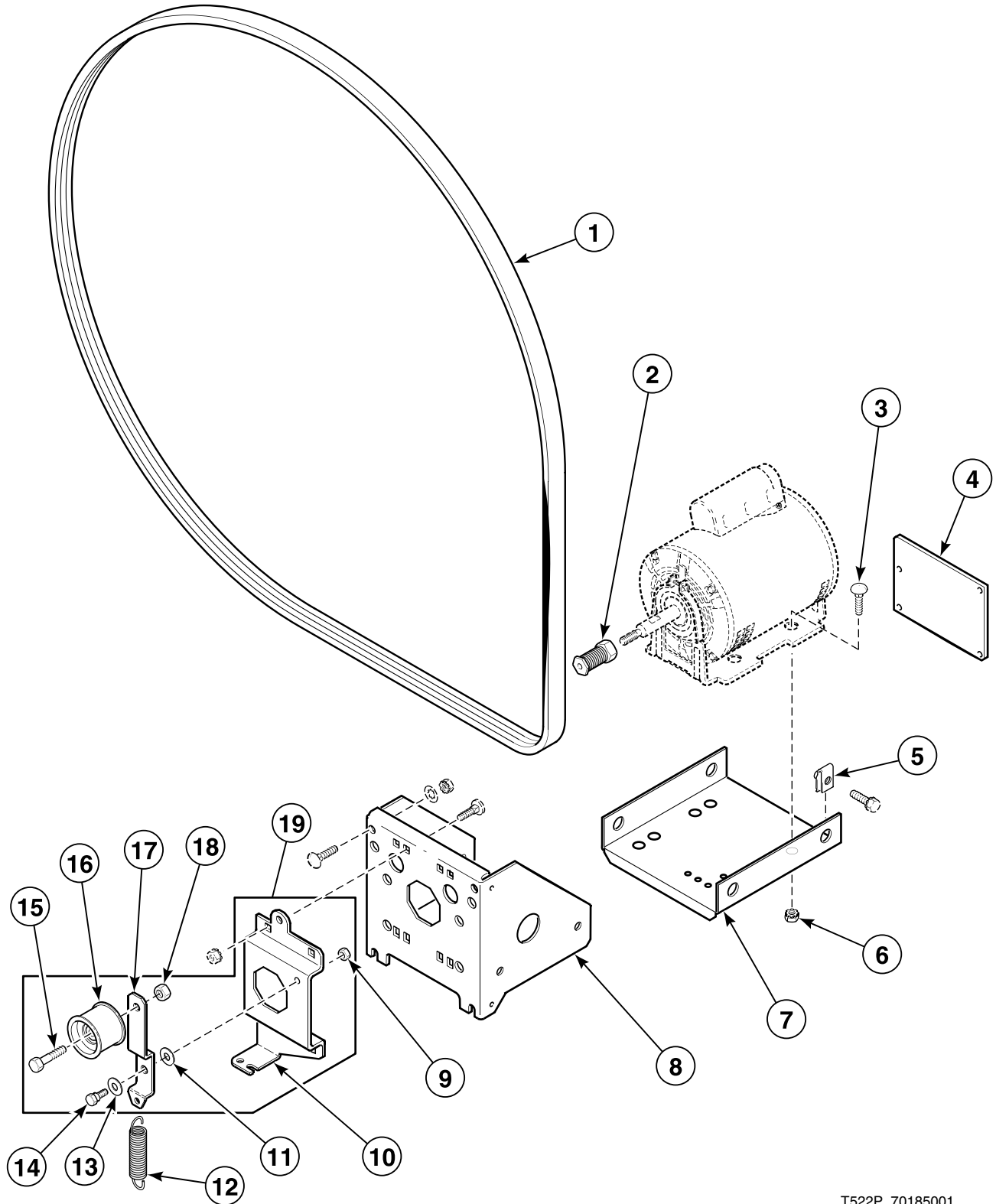


TMB1670B_70185001

Cylinder Channel Components

| REF | PART NO. | DESCRIPTION | COMMENTS |
|-----|-----------|-----------------------------|-------------|
| | M4762P3 | Cylinder Channel Kit | |
| 1 | 430497 | Screw | 10 required |
| 2 | 70257201 | Rear Cylinder Channel Plate | |
| 3 | 70244701P | Trunnion and Seal Kit | |
| 4 | 70257101 | Rear Cylinder Channel | |

Drive Motor Components

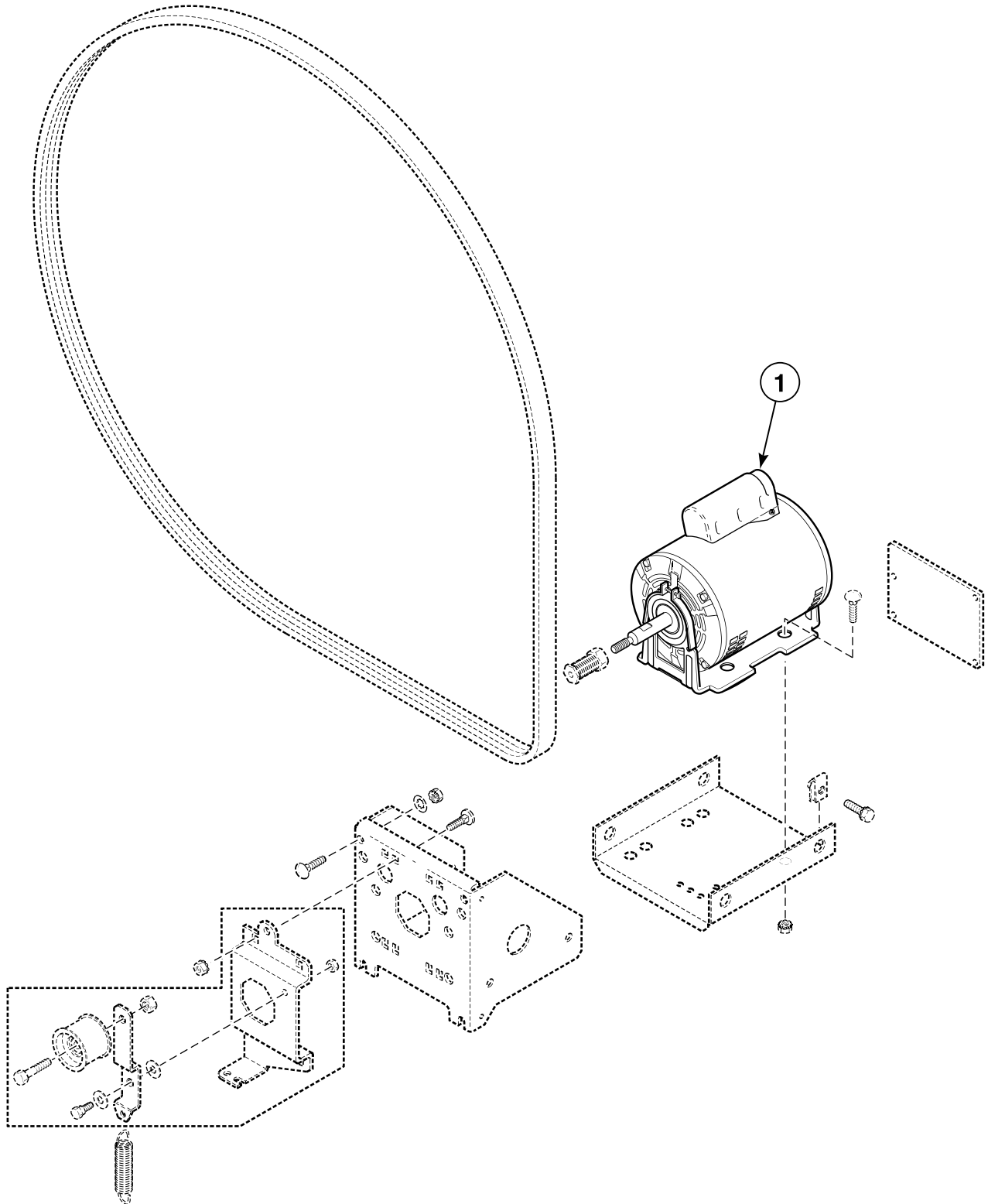


T522P_70185001

Drive Motor Components

| REF | PART NO. | DESCRIPTION | COMMENTS |
|-----------|-----------|----------------------------|---|
| | 70211401 | Motor Capacitor | For a 20 Amp tumbler with 70262101P Drive Motor |
| | 70211502 | Motor Capacitor | For a 20 Amp tumbler with 70262101P Drive Motor |
| | 70173701 | Idler Lock Bracket | |
| | 70179701 | Idler Spring Tab | |
| 1 | 70276201P | Belt | |
| 2 | 70284203 | Motor Pulley | 50 Hertz |
| | 70284201 | Motor Pulley | 60 Hertz |
| 3 | 70062401 | Bolt | |
| 4 | 70202501 | Drive Access Cover | |
| 5 | 27222 | Nut | |
| 6 | M412986 | Nut | |
| 7 | 70127301 | Motor Mount Bracket | |
| 8 | 70261701 | Motor Channel | |
| 9 | 29796 | Nut | |
| 10 | 70261601 | Cylinder Idler Bracket | |
| 11 | 70270301 | Washer | |
| 12 | 70045301 | Drum Idler Spring | |
| 13 | 70265901 | Washer | |
| 14 | M400056 | Screw | |
| 15 | 430648 | Screw | |
| 16 | 70050401P | Idler Wheel Assembly | |
| 17 | 70259901 | Cylinder Idler Arm | |
| 18 | 56156 | Nut | |
| 19 | 70275501 | Idler Assembly Service Kit | |

Drive Motors



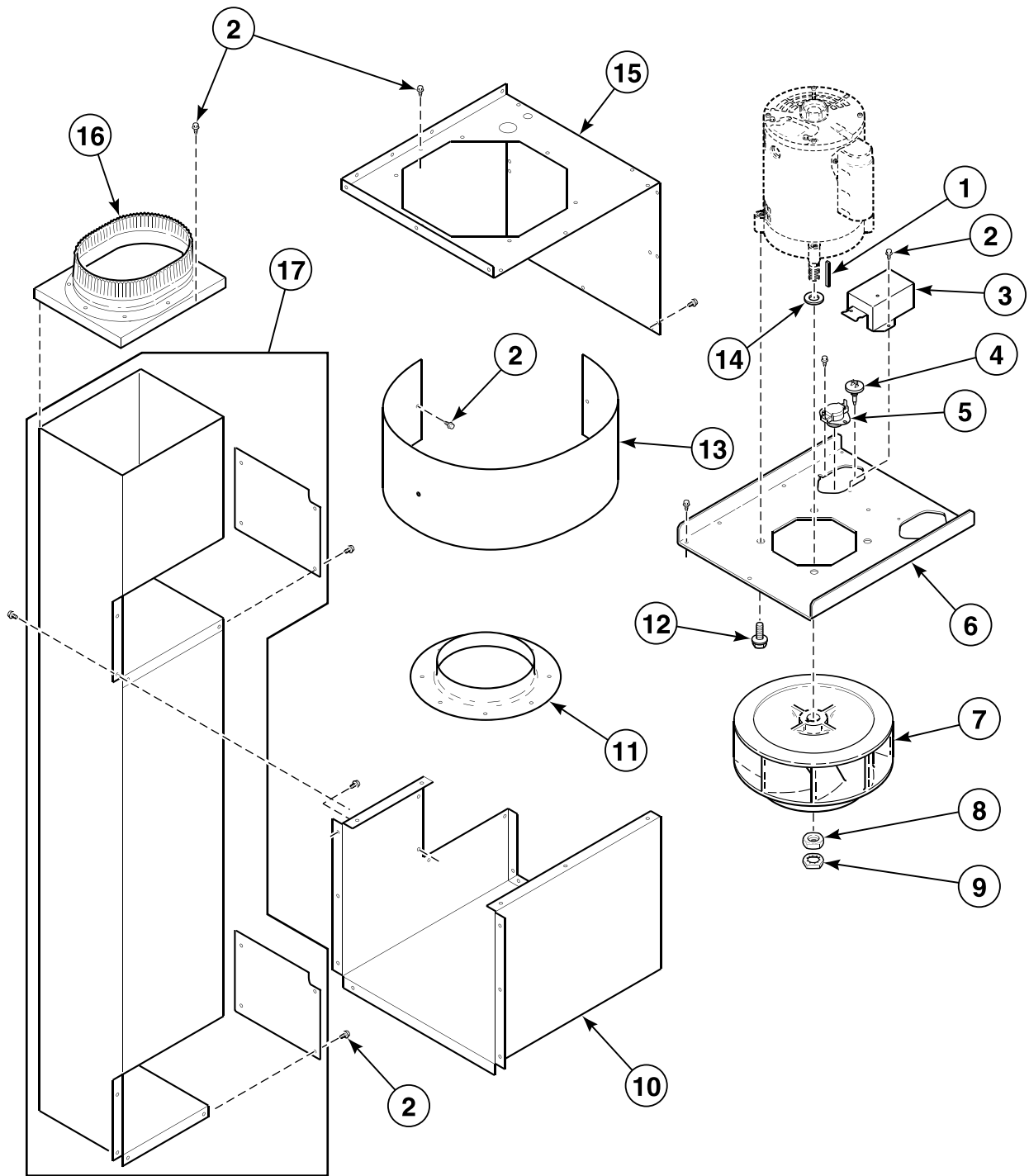
T522PA_70185001

Drive Motors

| REF | PART NO. | DESCRIPTION | COMMENTS |
|-----|-----------|-----------------|--|
| 1 | 70337801P | Drive Motor | Gas and steam models with: 100 Volt/50 or 60 Hertz/1 Phase, 120 Volt/60 Hertz/1 Phase, 120, 208 or 240 Volt/60 Hertz/1 Phase*; Electric models with: 200-208 Volt/60 Hertz/1 or 3 Phase, 200 Volt/50 Hertz/1 or 3 Phase, 240 Volt/60 Hertz/1 or 3 Phase |
| | 70338101P | Drive Motor | Gas and steam models with: 200 Volt/50 Hertz/3 Phase, 230-240 Volt/50 Hertz/3 Phase, 240 Volt/60 Hertz/3 Phase, 380 Volt/50 Hertz/3 Phase, 460-480 Volt/60 Hertz/3 Phase; Electric models with: 380 Volt/50 Hertz/3 Phase, 400-415 Volt/50 Hertz/3 Phase, 460-480 Volt/60 Hertz/3 Phase |
| | 70338001P | Drive Motor Kit | Gas and steam models with: 230-240 Volt/50 Hertz/1 Phase; Electric models with: 230-240 Volt/50 Hertz/1 or 3 Phase |
| | 70337901P | Drive Motor Kit | 120-240 Volt/60 Hertz/1 Phase; Low Amp |

* NOTE: Models starting Serial No. 9903002218 - 20 Amp motor

Fan and Exhaust Components

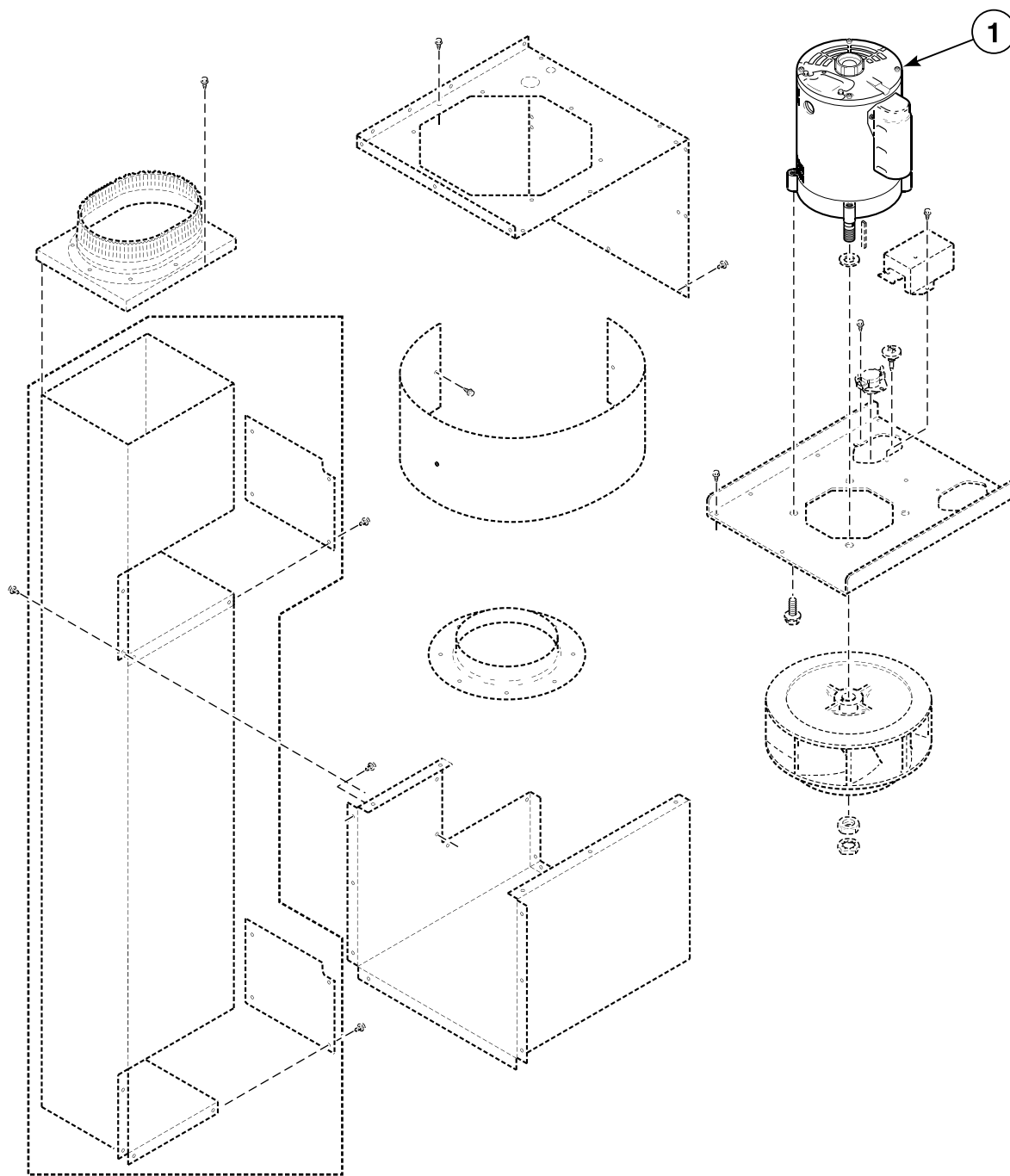


TMB2068P_70185001

Fan and Exhaust Components

| REF | PART NO. | DESCRIPTION | COMMENTS |
|-----------|-----------|-------------------------------|---|
| | 70056201 | Exhaust Damper | Models through Serial No. 9903028339 |
| | 70017801 | Exhaust Thimble | 6 inch |
| | 70200301 | Rear Stabilizer Bracket | |
| | 34319 | Leveling Leg | |
| | 21899 | Nut | |
| | 70211501 | Motor Capacitor | For a 20 Amp tumbler with 70262001P Motor |
| 1 | 70144101 | Key | |
| 2 | 430497 | Screw | |
| 3 | 70112801 | Thermistor Cover | |
| 4 | M414704 | Thermistor | |
| 5 | M411945 | Manual Reset Thermostat | JA and SA models |
| | M411307 | Limit Thermostat | All other models |
| 6 | 70185401 | Blower Motor Mounting Plate | |
| 7 | 70359801P | Blower Assembly | |
| 8 | M400022 | Nut | |
| 9 | M400034 | Nut | |
| 10 | 70218001 | Blower Housing | |
| 11 | 70014101 | Blower Inlet Cone | |
| 12 | 70126101 | Screw | |
| 13 | 70218101 | Blower Housing Scroll | |
| 14 | 70017401 | Washer | |
| 15 | 70299201 | Blower Housing Cover Assembly | |
| 16 | 70207501 | Duct Cover | |
| 17 | 70246201 | Exhaust Duct Assembly | |

Fan Motors



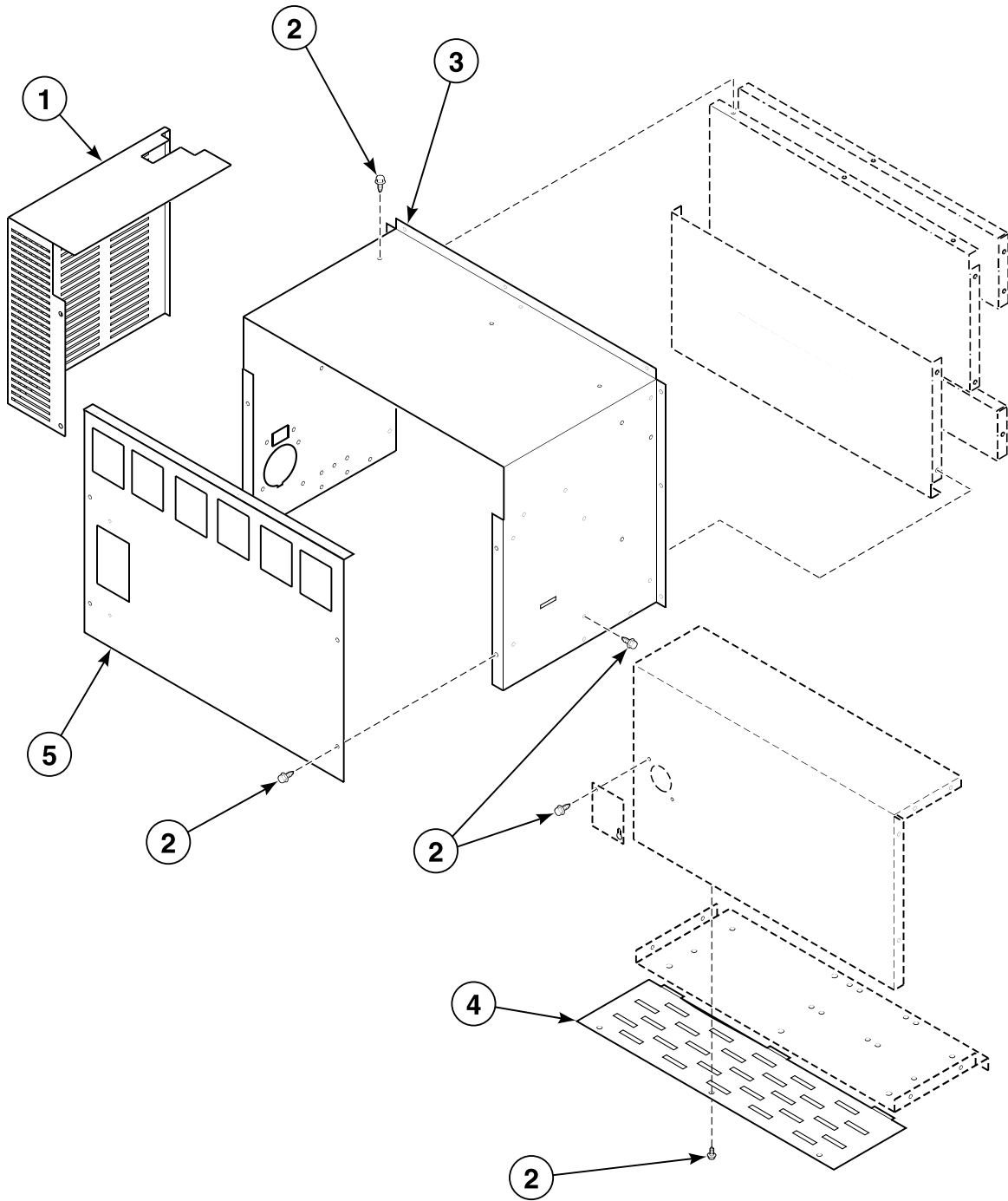
TMB2068PA_70185001

Fan Motors

| REF | PART NO. | DESCRIPTION | COMMENTS |
|-----|-----------|------------------|--|
| 1 | 70337501P | Blower Motor | Gas and steam models with: 100 Volt/50 or 60 Hertz/1 Phase, 120 Volt/60 Hertz/1 Phase; Electric models with: 200-208 Volt/60 Hertz/1 or 3 Phase, 200 Volt/50 Hertz/1 or 3 Phase, 240 Volt/60 Hertz/1 or 3 Phase |
| | 70342601P | Blower Motor | Gas and steam models with: 200 Volt/50 Hertz/3 Phase, 230-240 Volt/50 Hertz/3 Phase, 230 Volt/50 Hertz/3 Phase, 240 Volt/60 Hertz/3 Phase, 380 Volt/50 Hertz/3 Phase, 460-480 Volt/60 Hertz/3 Phase; Electric models with: 380 Volt/50 Hertz/3 Phase, 400-415 Volt/50 Hertz/3 Phase, 460-480 Volt/60 Hertz/3 Phase |
| | 70337701P | Blower Motor Kit | Gas and steam models with: 230-240 Volt/50 Hertz/1 Phase; Electric models with: 230-240 Volt/50 Hertz/1 or 3 Phase |
| | 70337601P | Blower Motor Kit | Gas and steam models with: 120, 208 or 240 Volt/60 Hertz/1 Phase* |

* NOTE: Models starting Serial No. 9903002218 - 20 Amp motor

Gas Burner Housing



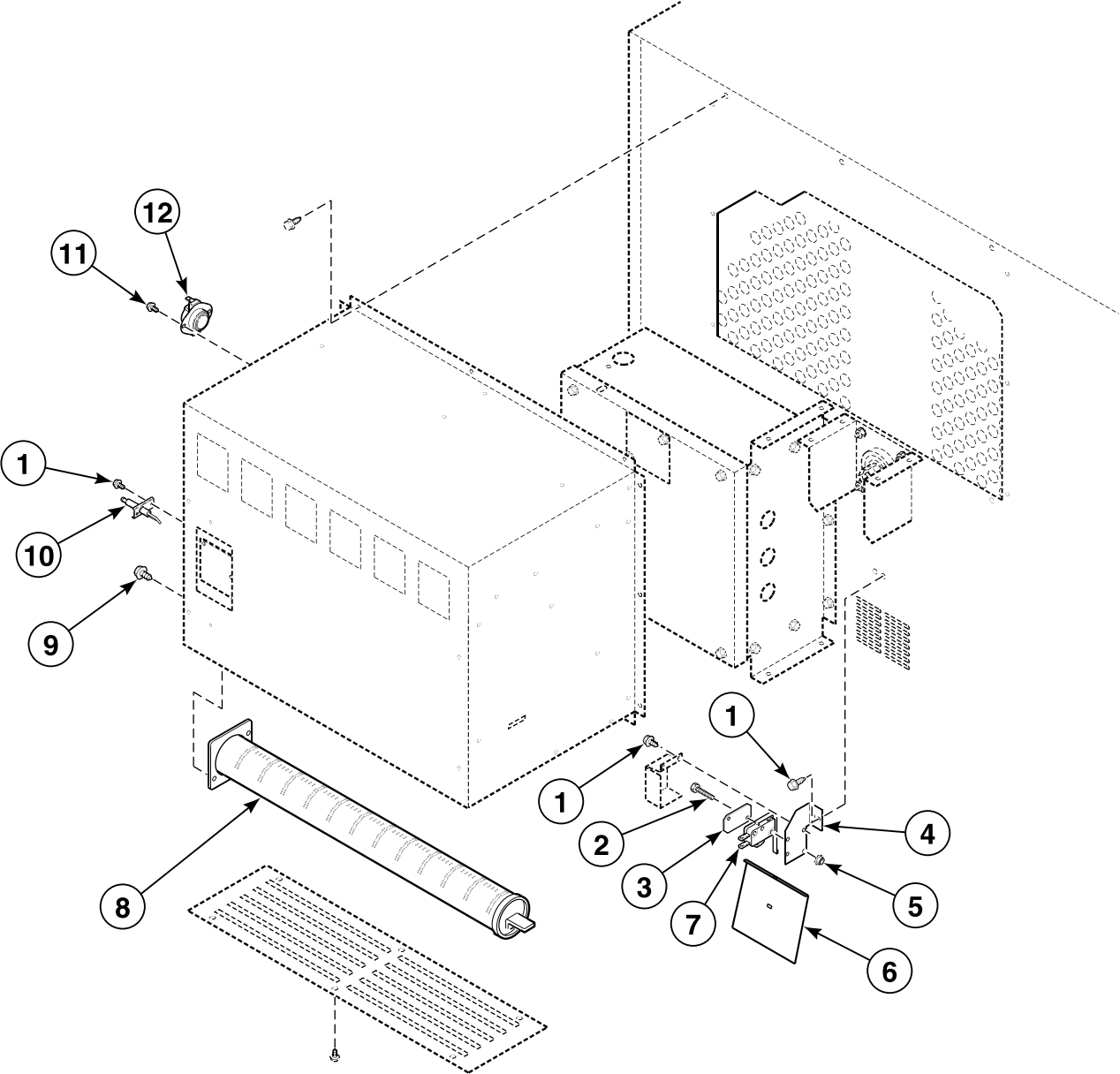
T465P_70185001

Gas Burner Housing

| REF | PART NO. | DESCRIPTION | COMMENTS |
|-----|----------|-----------------------------|--|
| 1 | M4747P3 | Valve Bracket and Cover Kit | Upper; FG models through Serial No. 9807017397 |
| | 70133401 | Gas Valve Cover | Lower; FG models through Serial No. 9807017397 |
| | M4746P3 | Valve Bracket and Cover Kit | RG models starting Serial No. 9807017398 |
| 2 | 430497 | Screw | |
| 3 | N/A | Stove Top and Sides | |
| 4 | 70188801 | Burner Grill | |
| 5 | 70183001 | Stove Back | |

N/A = Part no longer available

Gas Burner Components

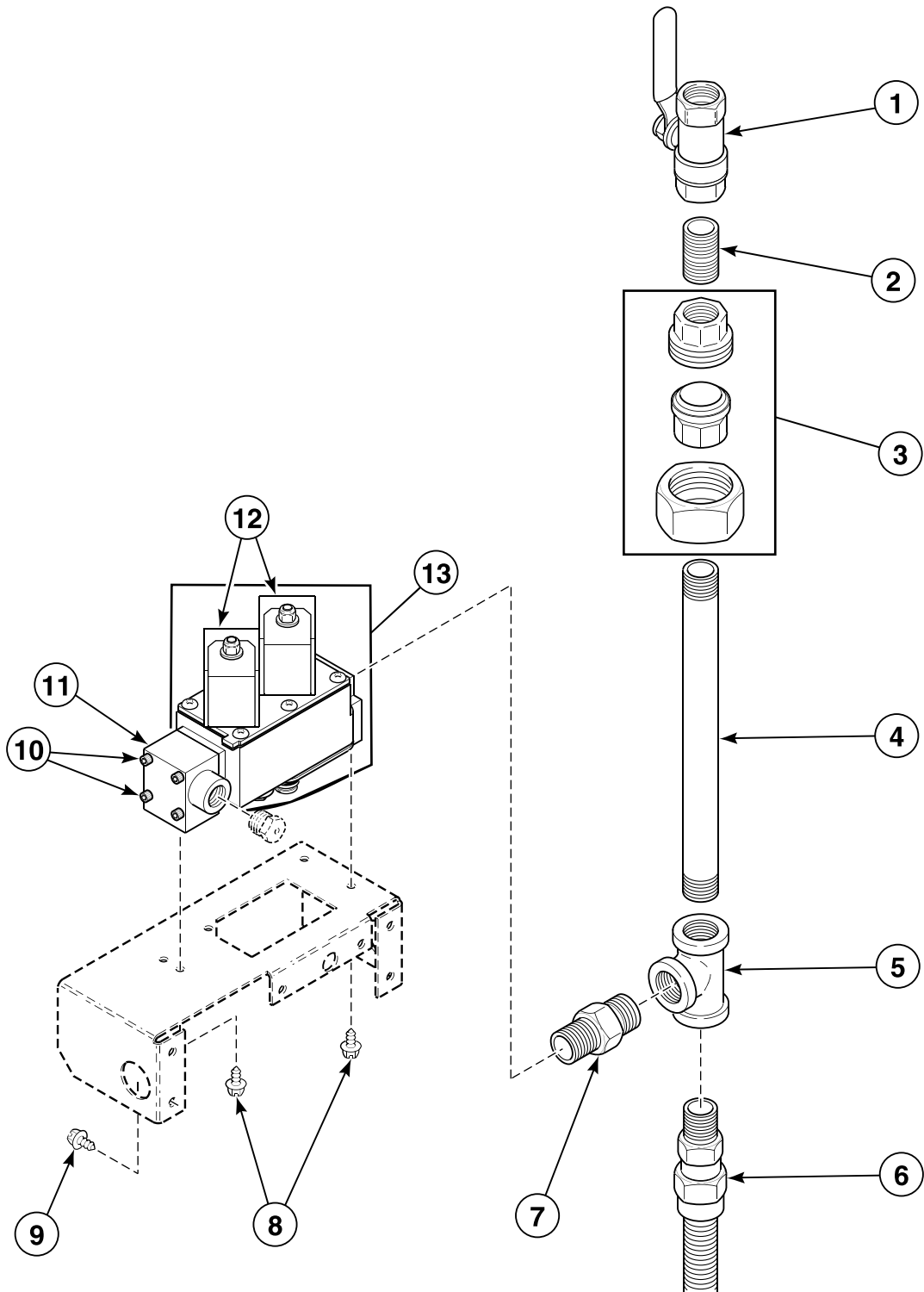


TMB1998P_70185001

Gas Burner Components

| REF | PART NO. | DESCRIPTION | COMMENTS |
|-----------|-----------|----------------------------|--|
| | M413650 | Gas Valve Harness Assembly | |
| | M4707P3 | L.P. Conversion Kit | Models DT0300DFG, JT0300DFG, PT0300DFG and ST0300DFG; 0-2,000 feet; Contains parts to convert both gas valves; For models with 176,000 Btu input order 2 of M4729P3 Down Rated Burner Kit in addition to the M4707P3 L.P. Conversion Kit. For altitudes higher than 2,000 feet refer to Installation Manual for proper orifices. |
| | 70270901P | Airflow Switch Kit | Includes items 2-7 |
| | M4733P3 | N.G. Valve Conversion Kit | FG models; Original burner is replaced by M4729P3 Down Rated Burner Kit on FG models |
| 1 | 430497 | Screw | |
| 2 | M401938 | Screw | |
| 3 | 70271601 | Airflow Switch Plate | |
| 4 | 70266301 | Airflow Switch Bracket | |
| 5 | M400979 | Nut | |
| 6 | 70266201 | Airflow Switch Vane | |
| 7 | 70267301 | Airflow Switch | |
| 8 | 70229801 | Gas Burner | RG models starting Serial No. 980717398; Downrated FG models |
| 9 | 05161 | Screw | |
| 10 | 70032801P | Spark Electrode | |
| 11 | M402797 | Screw | |
| 12 | 70186301 | Manual Reset Thermostat | JA and SA models |
| | M409219 | Limit Thermostat | All other models |

Gas Valve and Piping



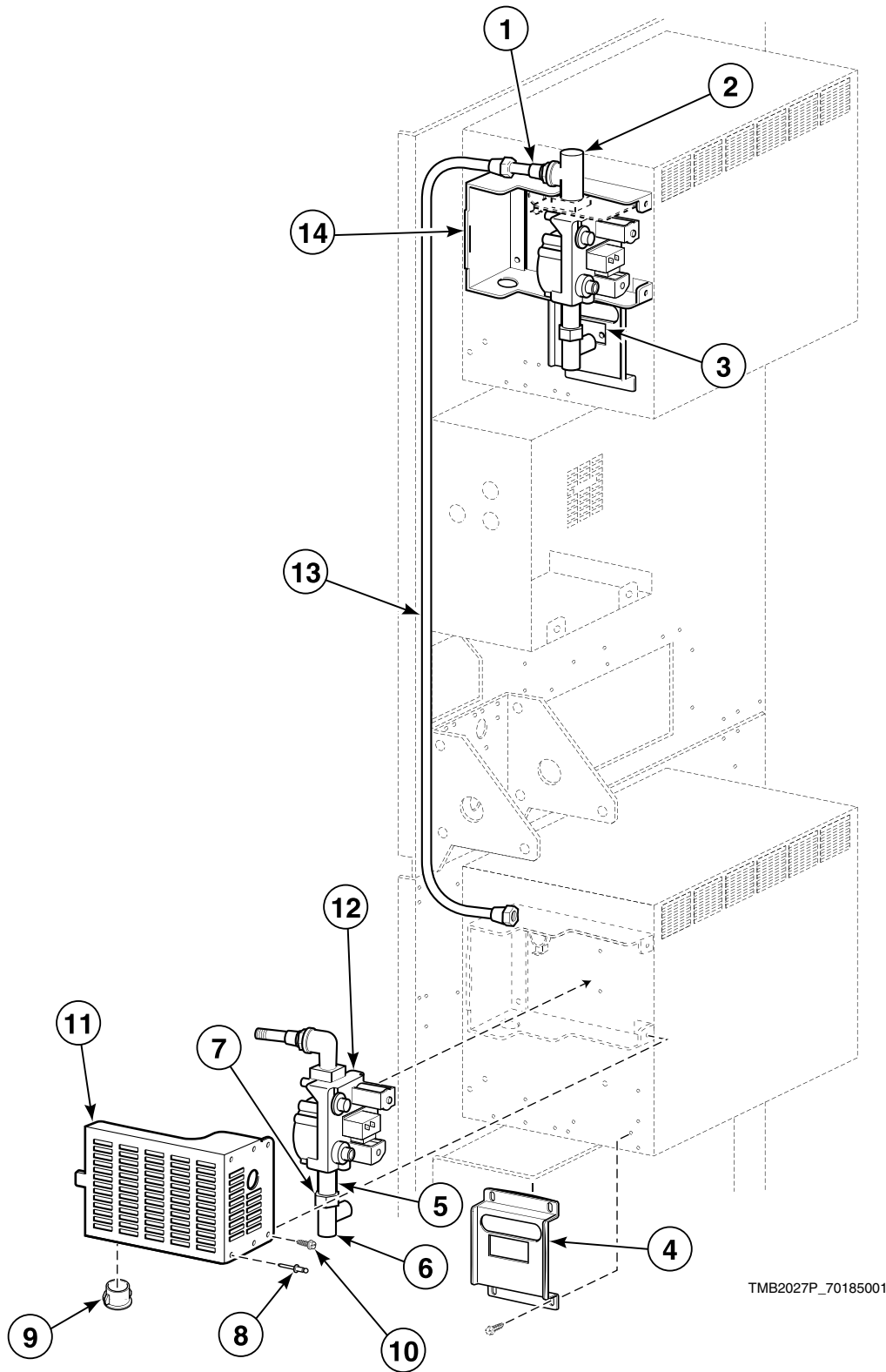
TMB1999P_70185001

Gas Valve and Piping

| REF | PART NO. | DESCRIPTION | COMMENTS |
|-----------|-----------|----------------------------|--|
| | M413650 | Gas Valve Harness Assembly | |
| | 70079601 | Elbow | 90 degree; Lower unit |
| | 431482 | O-Ring | Spud adapter to valve |
| | M4733P3 | N.G. Valve Conversion Kit | Regulated |
| | M4734P3 | L.P. Valve Conversion Kit | Unregulated |
| 1 | M412562 | Gas Shut-Off Valve | Upper unit |
| 2 | F420101 | Nipple | |
| 3 | H86000031 | Union | Upper unit |
| 4 | 70139601 | Pipe Nipple | 9.5; Upper unit |
| 5 | 70071801 | Tee | Upper unit |
| 6 | 70112901 | Gas Connector Assembly | Lower to upper gas valve; Models through Serial No. 9903028339 |
| | 70203601 | Gas Line Assembly | Models starting Serial No. 9903028339 |
| 7 | 70131901 | Adapter | BPT to NPT; 2 required |
| 8 | 23222 | Screw | |
| 9 | 430497 | Screw | |
| 10 | 431484 | Screw | |
| 11 | 70223501 | Spud Adapter | |
| 12 | 70260101 | Gas Valve Coil | 24 Volt |
| 13 | 70257501P | N.G. Valve | |
| | 70257601P | L.P. Valve | |

Gas Valve Assembly

Starting Serial No. 0209009567



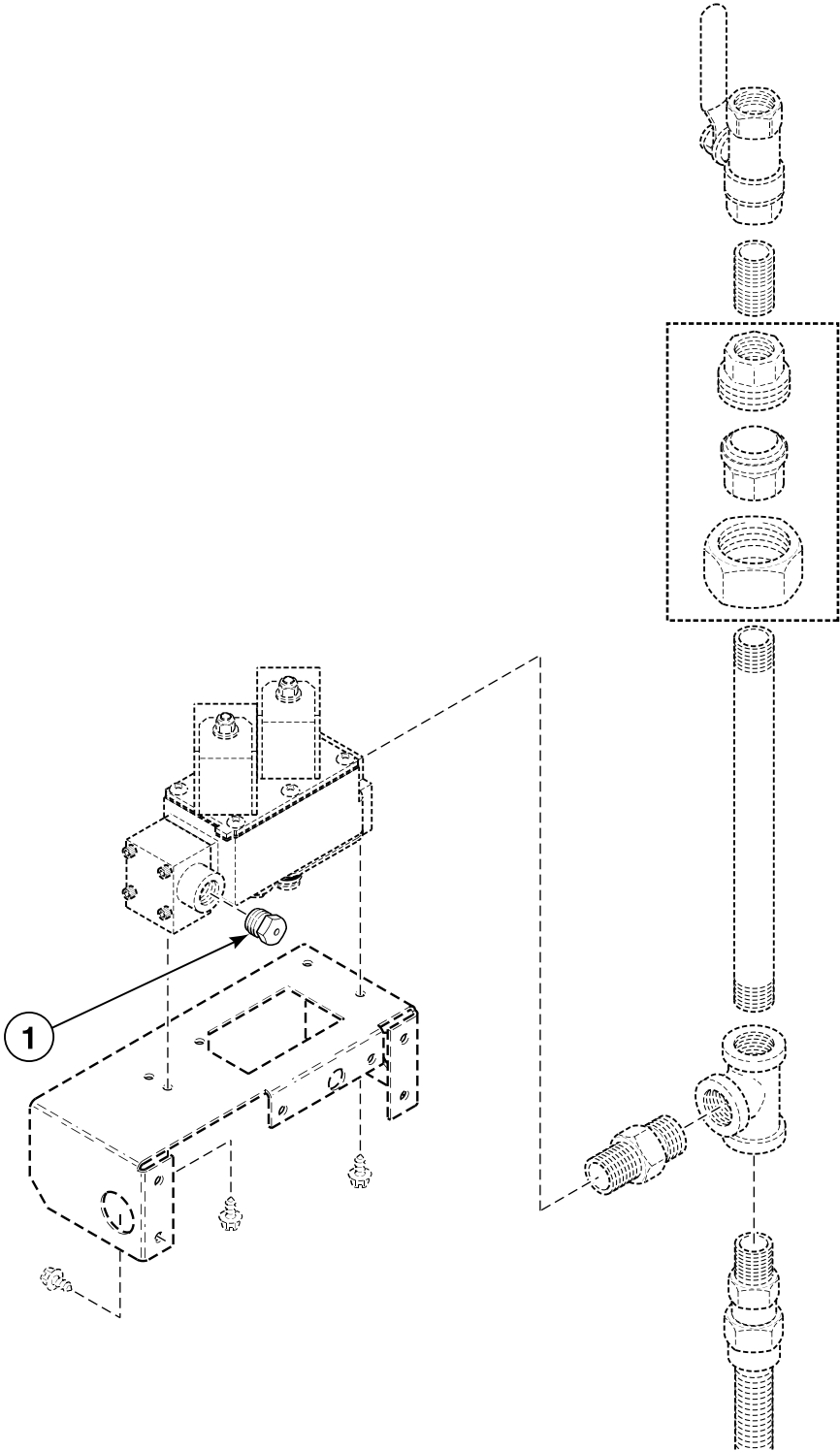
TMB2027P_70185001

Gas Valve Assembly

| REF | PART NO. | DESCRIPTION | COMMENTS |
|-----|----------|------------------------|----------|
| 1 | 70262601 | Pipe | |
| 2 | 70267501 | Pipe Tee | |
| 3 | 70249001 | Orifice Keeper Bracket | |
| 4 | 70248901 | Orifice Holder Bracket | |
| 5 | 70263101 | Tailpiece | |
| 6 | 70297801 | Orifice Adapter | |
| 7 | M401548 | Nut | |
| 8 | 70058501 | Pop Rivet | |
| 9 | M400770 | Snap Bushing | |
| 10 | 430497 | Screw | |
| 11 | 70282401 | Rear Valve Cover | |
| 12 | M414445P | N.G. Gas Valve | |
| | M414446P | L.P. Gas Valve | |
| 13 | 70281601 | Tube | |
| 14 | 70282301 | Forward Valve Cover | |

Burner Orifices

FG and RG Models

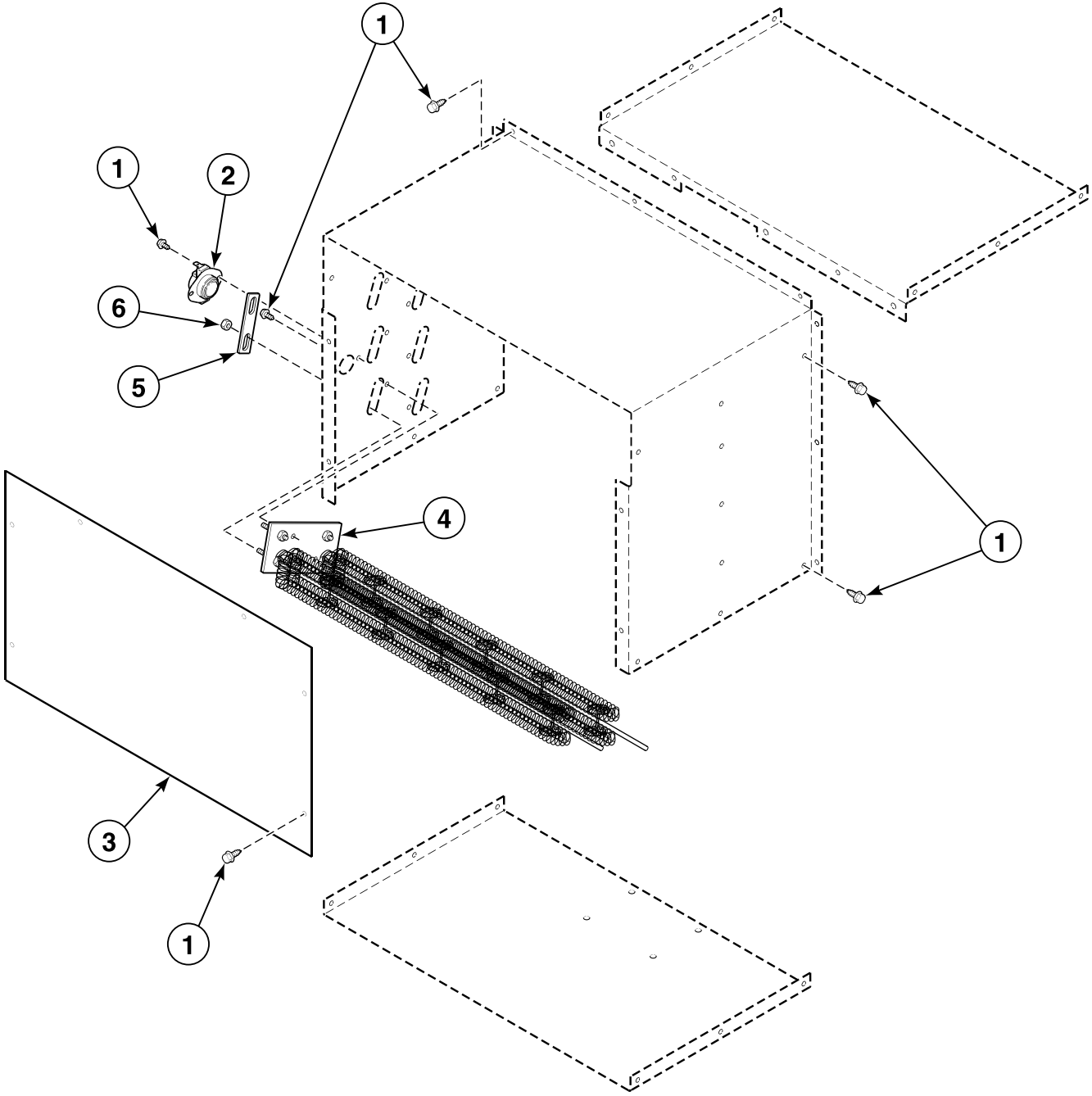


TMB1999PA_70185001

Burner Orifices

| REF | PART NO. | DESCRIPTION | COMMENTS |
|-----|----------|----------------|---|
| 1 | 70070902 | Burner Orifice | Liquid Petroleum Gas (L.P.); FG models; 0-2,000 feet; 7/64 (2.8 mm) |
| | M411375 | Burner Orifice | L.P.; FG models; 2,001-4,000 feet; Drill no. 36 (2.7 mm) |
| | M401024 | Burner Orifice | L.P.; FG models; 4,001-6,000 feet; Drill no. 37 (2.6 mm) |
| | M411376 | Burner Orifice | L.P.; FG models; 6,001-8,000 feet; Drill no. 38 (2.6 mm) |
| | M406361 | Burner Orifice | L.P.; FG models; 8,001-10,000 feet; Drill no. 40 (2.5 mm) |
| | M411511 | Burner Orifice | Natural Gas (N.G.); FG models; 0-2,000 feet; Drill no. 15 (4.6 mm) |
| | M411373 | Burner Orifice | N.G.; FG models; 2,001-4,000 feet; Drill no. 16 (4.5 mm) |
| | M411374 | Burner Orifice | N.G.; FG models; 4,001-6,000 feet; Drill no. 17 (4.4 mm) |
| | M402995 | Burner Orifice | N.G.; FG models; 6,001-8,000 feet; Drill no. 19 (4.2 mm) |
| | M401002 | Burner Orifice | N.G.; FG models; 8,001-10,000 feet; Drill no. 20 (4.1 mm) |
| | M406361 | Burner Orifice | L.P.; RG models; 0-2,000 feet; Drill no. 40 (2.5 mm) |
| | M403017 | Burner Orifice | L.P.; RG models; 2,001-6,000 feet; Drill no. 42 (2.4 mm) |
| | M406184 | Burner Orifice | L.P.; RG models; 6,001-8,000 feet; Drill no. 43 (2.3 mm) |
| | M401011 | Burner Orifice | L.P.; RG models; 8,001-10,000 feet; Drill no. 44 (2.2 mm) |
| | M401002 | Burner Orifice | N.G.; RG models; 0-2,000 feet; Drill no. 20 (4.1 mm) |
| | M402996 | Burner Orifice | N.G.; RG models; 2,001-4,000 feet; Drill no. 22 (4.0 mm) |
| | M402980 | Burner Orifice | N.G.; RG models; 4,001-6,000 feet; Drill no. 24 (3.9 mm) |
| | M401000 | Burner Orifice | N.G.; RG models; 6,001-8,000 feet; Drill no. 26 (3.7 mm) |
| | M401014 | Burner Orifice | N.G.; RG models; 8,001-10,000 feet; Drill no. 28 (3.6 mm) |

Electric Heater Components

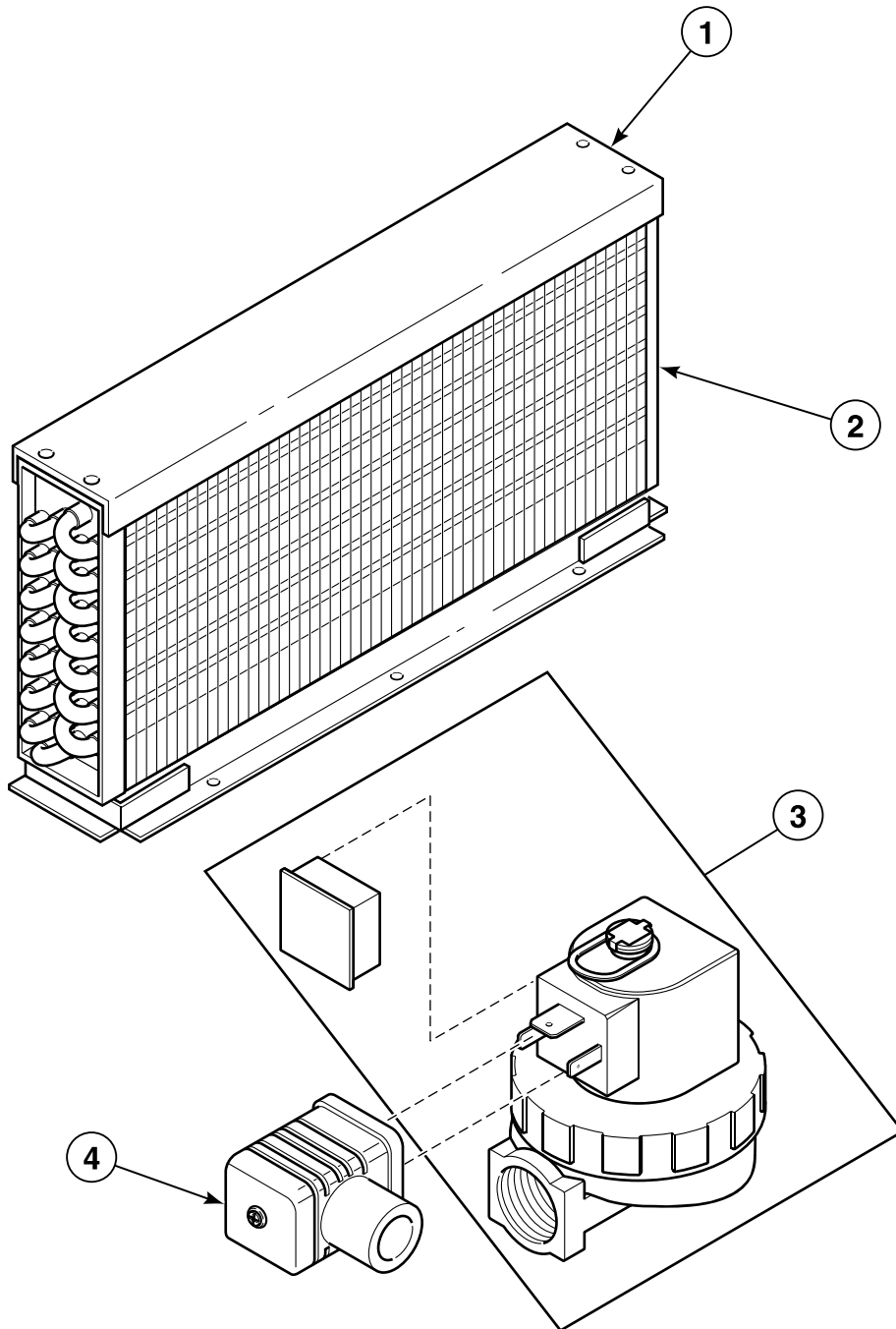


T443P_70185001

Electric Heater Components

| REF | PART NO. | DESCRIPTION | COMMENTS |
|-----|-----------|------------------|---------------------------------|
| 1 | 430497 | Screw | |
| 2 | M410220 | Limit Thermostat | |
| 3 | 70214901 | Stove Grill | |
| 4 | 70034401P | Heater Element | 7 kW; 208 Volt |
| | 70034402P | Heater Element | 7 kW; 220-380 Volt |
| | 70034403P | Heater Element | 7 kW; 230, 240, 415 or 480 Volt |
| 5 | M400869 | Jumper Strip | |
| 6 | Q6163 | Nut | |

Steam Heater Components

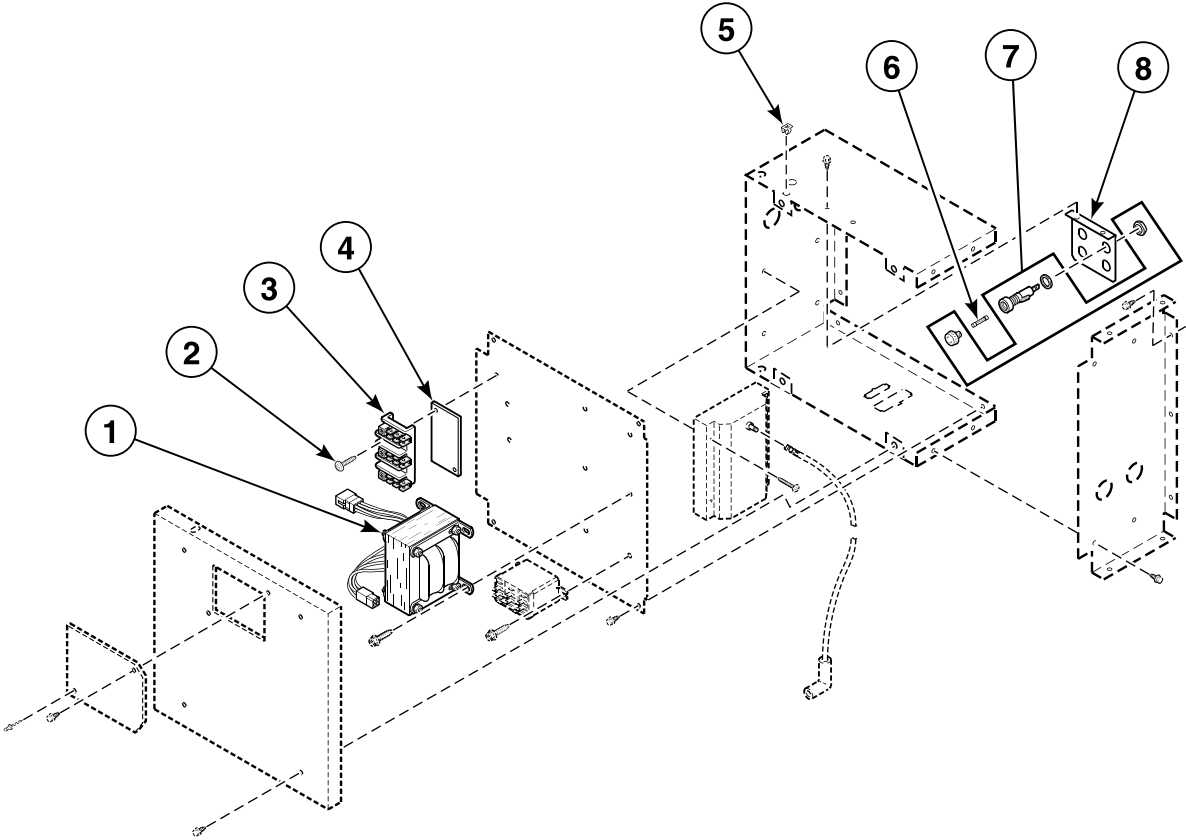


TMB2205P_70185001

Steam Heater Components

| REF | PART NO. | DESCRIPTION | COMMENTS |
|-----|-----------|------------------------------|------------------|
| | M409443 | Limit Thermostat | |
| 1 | 70231201P | Steam Coil | 2 row; SL models |
| | 70231301P | Steam Coil | 4 row; SH models |
| 2 | 70036001 | Air Filter | |
| 3 | 70351001P | Steam Valve | 60 Hertz |
| | 70351002P | Steam Valve | 50 Hertz |
| 4 | 70370301P | Solenoid Valve DIN Connector | |

Rear Control Box - Gas Non-CE Models (Drawing 1 of 2)

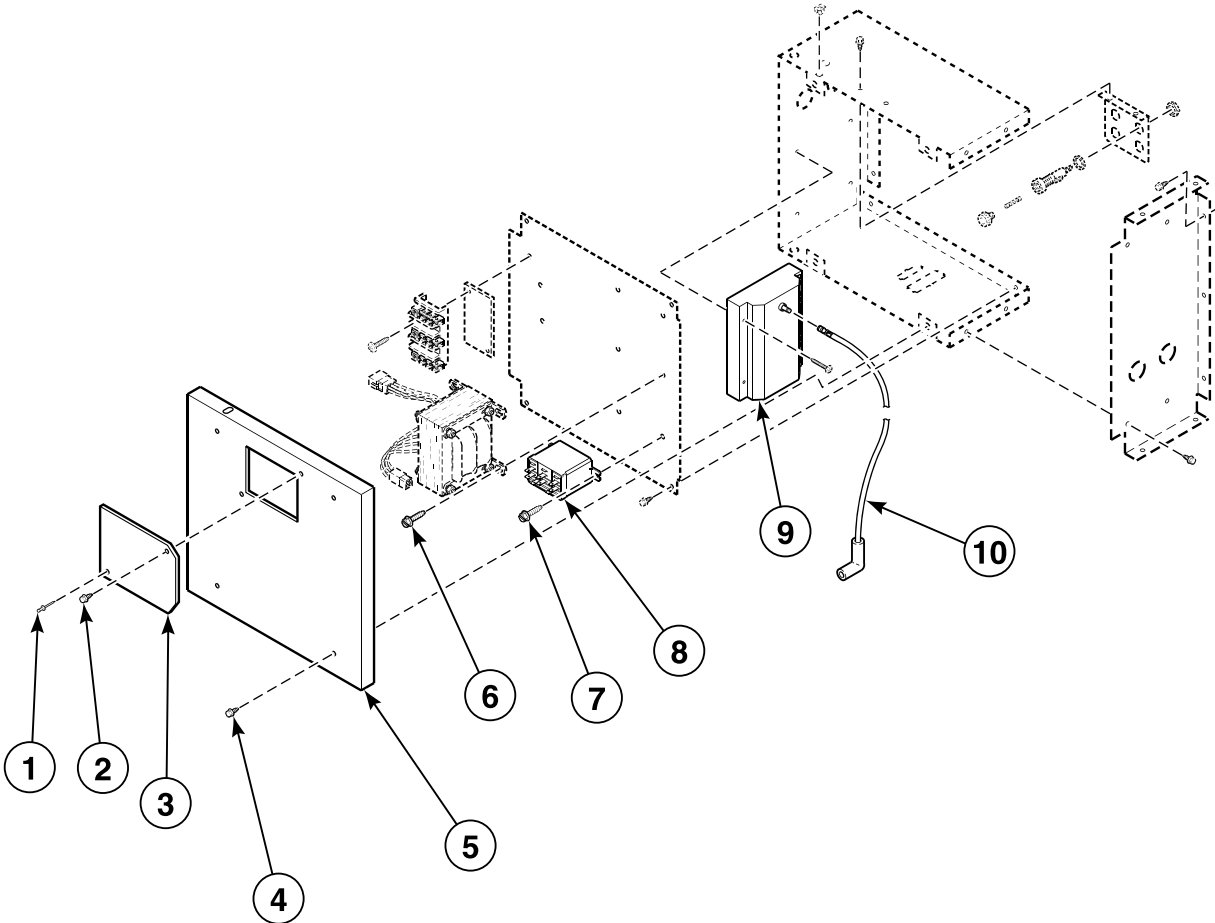


TMB2369P_70185001

Rear Control Box - Gas Non-CE Models (Drawing 1 of 2)

| REF | PART NO. | DESCRIPTION | COMMENTS |
|----------|-----------|--|---|
| | M413505 | Jumper Harness Assembly | 120 Volt/50 or 60 Hertz/1 Phase; OM and RM control suffixes |
| | M413504 | Jumper Harness Assembly | 100 Volt/50 or 60 Hertz/1 Phase |
| | M413510 | Jumper Configuration Assembly | 480 Volt/60 Hertz/3 Phase |
| | M413509 | Jumper Harness Assembly | 415 Volt/50 Hertz/3 Phase |
| | M413508 | Jumper Harness Assembly | 380 Volt/50 Hertz/3 Phase |
| | M413506 | Jumper Harness Assembly | 208 Volt/60 Hertz/1 or 3 Phase |
| | 70067001P | High Limit Harness | |
| | 70204801 | Main Harness Assembly | NC, NR, NX, NY, ZC, ZR, ZX and ZY control suffixes |
| | 70204501 | Main Remote Interface Harness Assembly | |
| | 70211703 | Jumper Calibration Assembly | NC, NR, NX, NY, ZC, ZR, ZX and ZY control suffixes |
| | 70083201 | Ignition Control Harness Assembly | DT, JT, LT, NT, PT and ST models |
| | 70083301P | Ignition Control Harness | JA and SA models |
| | 70204601 | Junction Box Harness Assembly | |
| | 70206301 | Control Panel Harness Assembly | NC, NR, NX, NY, ZC, ZR, ZX and ZY control suffixes |
| | 70236301 | Control Panel Harness Assembly | MT control suffix |
| | 70235801 | Control Panel Harness Assembly | JA and SA models with NC, NR, NX, NY, ZC, ZR, ZX and ZY control suffixes |
| | 70236501P | Control Wire Harness Assembly | EDC |
| | 70236401P | Control Panel Harness Assembly | CD control suffix |
| | 70084001 | Jumper Bypass Assembly | MT and OM control suffixes |
| | M413431 | Pushbutton Switch | JA and SA models |
| 1 | M414312P | Transformer | 120 Volt/60 Hertz/1 Phase; NC, NR, NX, NY, ZC, ZR, ZX and ZY control suffixes |
| | M414230P | Transformer | 120 Volt/60 Hertz/1 Phase; All other control suffixes |
| | M414228P | Transformer | 200-240 Volt/60 Hertz/3 Phase; 200-240 Volt/50 Hertz/1 or 3 Phase |
| | M414229P | Transformer | 380-480 Volt/50 or 60 Hertz/3 Phase |
| 2 | M405824 | Screw | |
| 3 | 430642 | Terminal Block | |
| 4 | M413862 | Insulator | |
| 5 | 70030501 | Expansion Clip | |
| 6 | M414240 | Fuse | 2 Amp; 100 Volt |
| | M413118 | Fuse | 2 Amp; 120 to 240 Volt |
| | M413621 | Fuse | 0.5 Amp; 380 Volt and higher |
| | M414232 | Fuse | 3.5 Amp; All other voltages |
| 7 | 91024P | Fuse Receptacle | |
| | M413544P | Fuse Holder | 380 Volt and higher |
| 8 | 70086301 | Fuse Bracket | Low voltage |
| | 70086401 | Fuse Bracket | 380 Volt and higher |

Rear Control Box - Gas Non-CE Models (Drawing 2 of 2)

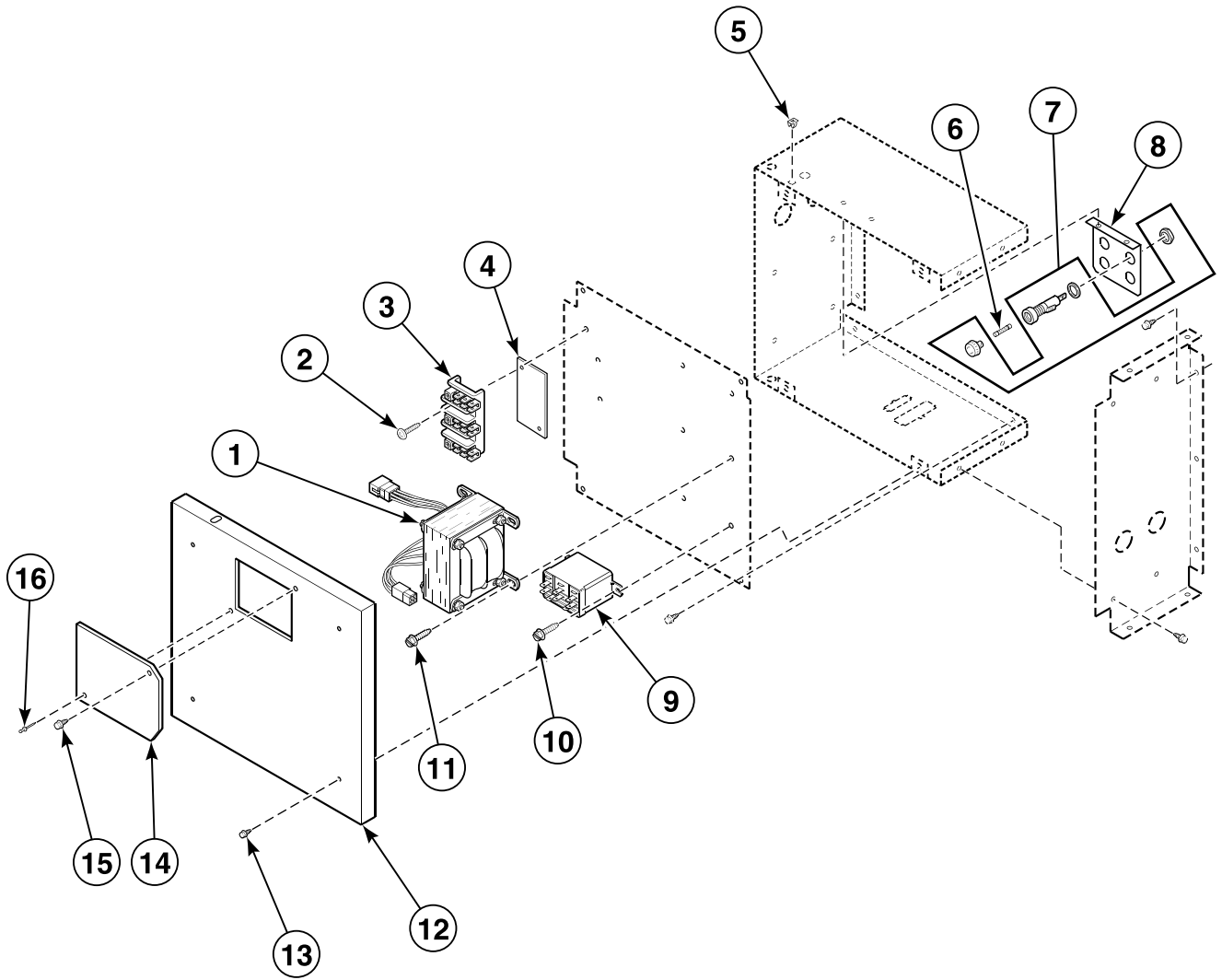


TMB2369PA_70185001

Rear Control Box - Gas Non-CE Models (Drawing 2 of 2)

| REF | PART NO. | DESCRIPTION | COMMENTS |
|-----|-----------|--------------------|----------------------------|
| 1 | 70058501 | Pop Rivet | |
| 2 | 51780 | Screw | |
| 3 | 70126601 | Fuse Cover | |
| 4 | 430497 | Screw | |
| 5 | 70164401 | Junction Box Cover | |
| 6 | M411072 | Screw | |
| 7 | 51778 | Screw | For relay |
| | 51780 | Screw | For contactor |
| 8 | 70210901P | Relay | 1 Phase |
| | M413614P | Fan Contactor | 3 Phase |
| 9 | M413433P | Ignition Control | JA and SA models |
| | 70367301P | Ignition Control | 50 Hertz; All other models |
| 10 | 70006201 | High Voltage Lead | |

Rear Control Box - Steam Non-CE Models

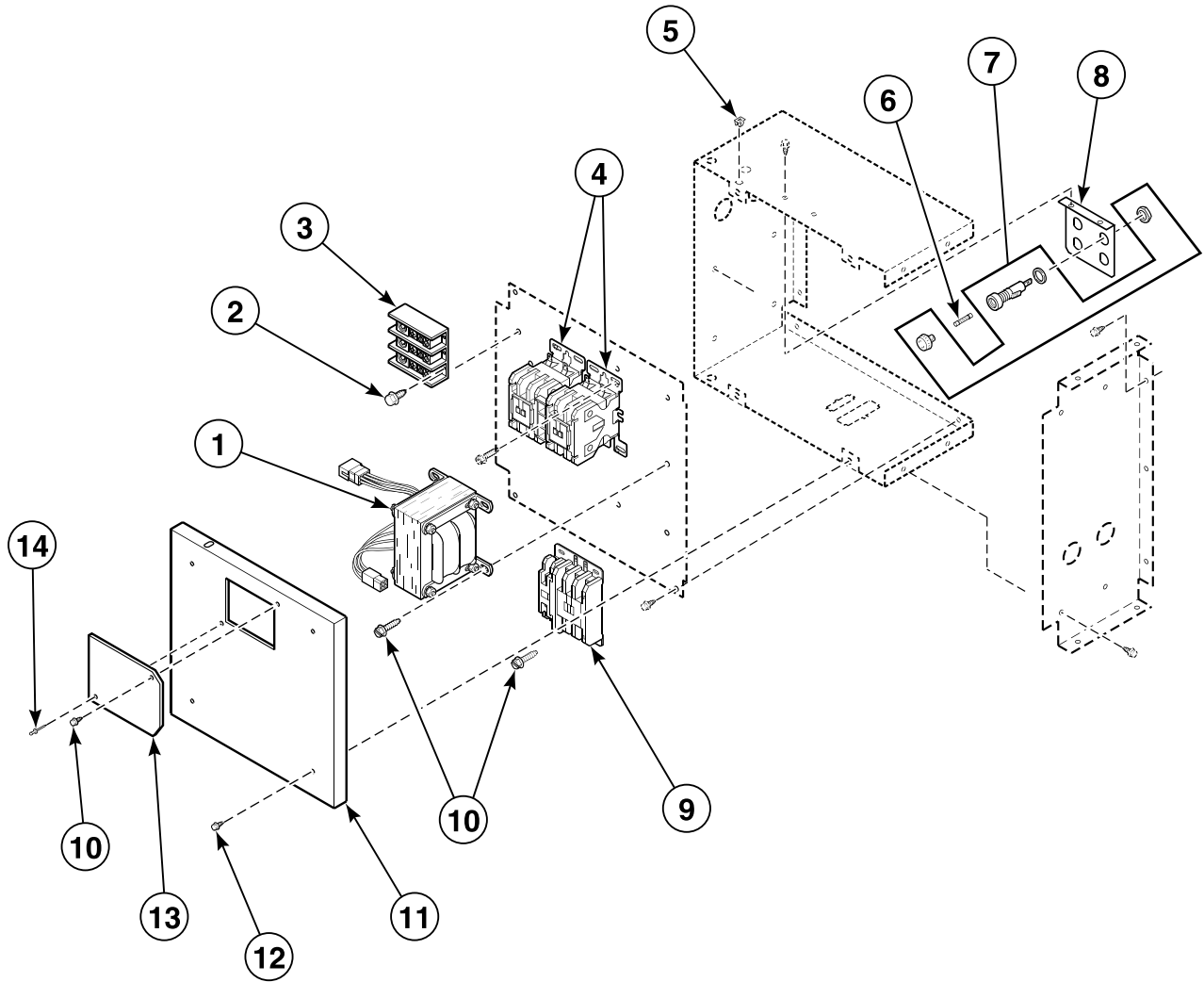


TMB2370P_70185001

Rear Control Box - Steam Non-CE Models

| REF | PART NO. | DESCRIPTION | COMMENTS |
|-----------|-----------|--|---|
| | M413505 | Jumper Harness Assembly | 120 Volt/50 or 60 Hertz/1 Phase; OM and RM control suffixes |
| | M413504 | Jumper Harness Assembly | 100 Volt/50 or 60 Hertz/1 Phase |
| | M413510 | Jumper Configuration Assembly | 480 Volt/60 Hertz/3 Phase |
| | M413509 | Jumper Harness Assembly | 415 Volt/50 Hertz/3 Phase |
| | M413508 | Jumper Harness Assembly | 380 Volt/50 Hertz/3 Phase |
| | 70067001P | High Limit Harness | |
| | 70204801 | Main Harness Assembly | NC, NR, NX, NY, ZC, ZR, ZX and ZY control suffixes |
| | 70204501 | Main Remote Interface Harness Assembly | |
| | 70113101 | Steam Jumper Assembly | |
| | 70211703 | Jumper Calibration Assembly | NC, NR, NX, NY, ZC, ZR, ZX and ZY control suffixes |
| | 70204601 | Junction Box Harness Assembly | |
| | 70206301 | Control Panel Harness Assembly | NC, NR, NX, NY, ZC, ZR, ZX and ZY control suffixes |
| | 70236301 | Control Panel Harness Assembly | MT control suffix |
| | 70236501P | Control Wire Harness Assembly | EDC |
| | 70236401P | Control Panel Harness Assembly | CD control suffix |
| | 70084001 | Jumper Bypass Assembly | MT and OM control suffixes |
| 1 | M414312P | Transformer | 120 Volt/60 Hertz/1 Phase; NC, NR, NX, NY, ZC, ZR, ZX and ZY control suffixes |
| | M414230P | Transformer | 120 Volt/60 Hertz/1 Phase; All other control suffixes |
| | M414228P | Transformer | 200-240 Volt/60 Hertz/3 Phase, 200-240 Volt/50 Hertz/1 or 3 Phase |
| | M414229P | Transformer | 380-480 Volt/50 or 60 Hertz/3 Phase |
| 2 | M405824 | Screw | |
| 3 | 430642 | Terminal Block | |
| 4 | M413862 | Insulator | |
| 5 | 70030501 | Expansion Clip | |
| 6 | M414240 | Fuse | 2 Amp; 100 Volt |
| | M413118 | Fuse | 2 Amp; 120 to 240 Volt |
| | M413621 | Fuse | 0.5 Amp; 380 Volt and higher |
| | M414232 | Fuse | 3.5 Amp; All other voltages |
| 7 | 91024P | Fuse Receptacle | |
| | M413544P | Fuse Holder | 380 Volt and higher |
| 8 | 70086301 | Fuse Bracket | Low voltage |
| | 70086401 | Fuse Bracket | 380 Volt and higher |
| 9 | 70210901P | Relay | 1 Phase |
| | M413614P | Fan Contactor | 3 Phase |
| 10 | 51778 | Screw | For relay |
| | 51780 | Screw | For contactor |
| 11 | M411072 | Screw | |
| 12 | 70164401 | Junction Box Cover | |
| 13 | 430497 | Screw | |
| 14 | 70126601 | Fuse Cover | |
| 15 | 51780 | Screw | |
| 16 | 70058501 | Pop Rivet | |

Rear Control Box - Electric Non-CE Models



TMB2371P_70185001

Rear Control Box - Electric Non-CE Models

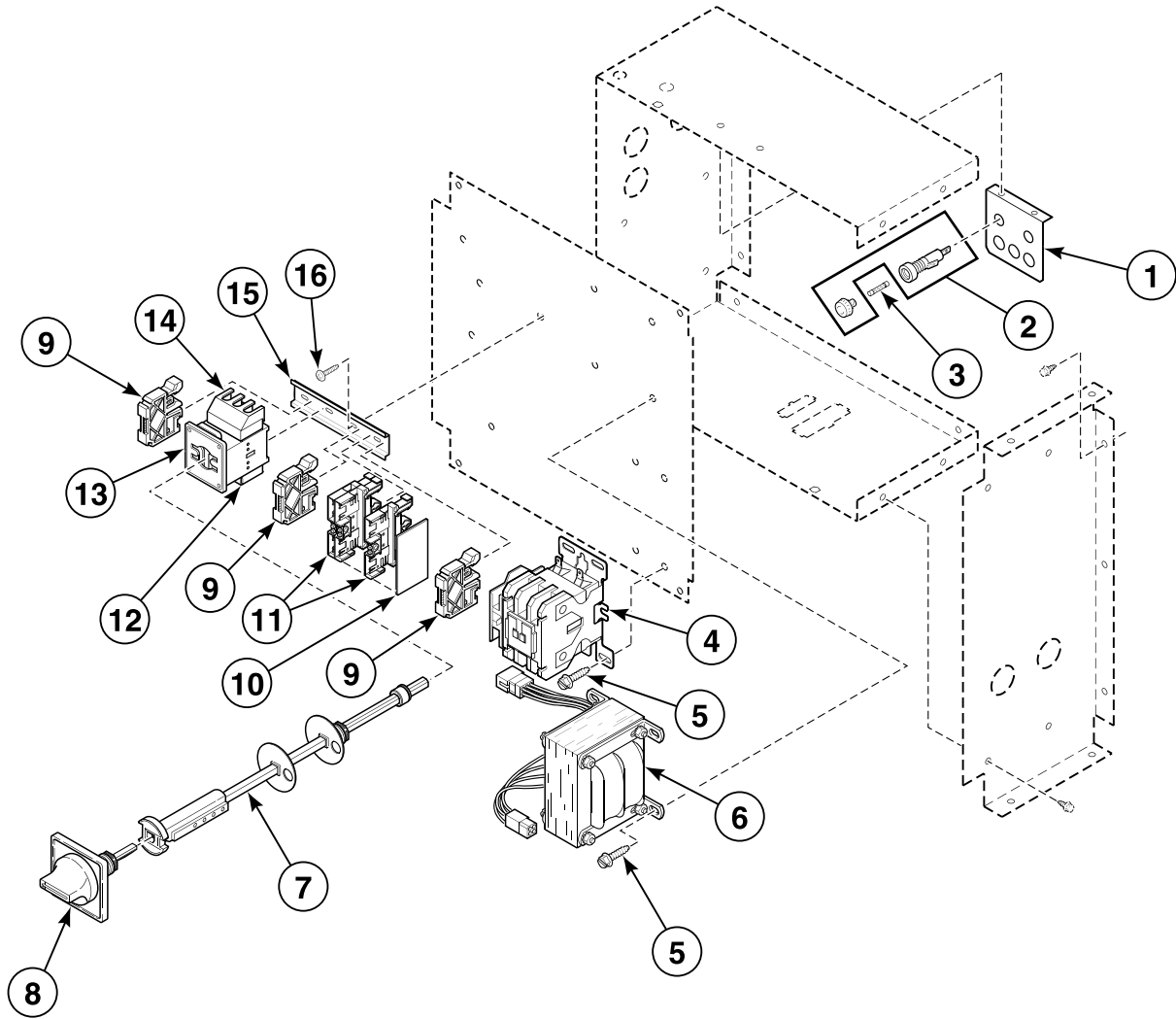
| REF | PART NO. | DESCRIPTION | COMMENTS |
|-----|-----------|--|---|
| | M413510 | Jumper Configuration Assembly | 480 Volt/60 Hertz/3 Phase |
| | M413509 | Jumper Harness Assembly | 415 Volt/50 Hertz/3 Phase |
| | M413508 | Jumper Harness Assembly | 380 Volt/50 Hertz/3 Phase |
| | M413506 | Jumper Harness Assembly | 208 Volt/60 Hertz/1 or 3 Phase |
| | 70067001P | High Limit Harness | |
| | 70204801 | Main Harness Assembly | NC, NR, NX, NY, ZC, ZR, ZX and ZY control suffixes |
| | 70204501 | Main Remote Interface Harness Assembly | |
| | M413883 | Jumper Harness Assembly | 200-240 Volt |
| | 70139101 | Jumper Assembly | 11 inches; 1 Phase; 8 gauge |
| | M413933 | Jumper Cable Assembly | 7.5 inches; 200-240 Volt; 8 gauge; 2 required for 1 Phase; 3 required for 3 Phase |
| | 70139001 | Jumper Assembly | 10 inches; 200-240 Volt; 8 gauge; 2 required for 1 Phase; 3 required for 3 Phase |
| | 70211703 | Jumper Calibration Assembly | NC, NR, NX, NY, ZC, ZR, ZX and ZY control suffixes |
| | 70236001 | Junction Box Harness Assembly | |
| | 70204601 | Junction Box Harness Assembly | |
| | 70206301 | Control Panel Harness Assembly | NC, NR, NX, NY, ZC, ZR, ZX and ZY control suffixes |
| | 70236301 | Control Panel Harness Assembly | MT control suffix |
| | 70236501P | Control Wire Harness Assembly | EDC |
| | 70236401P | Control Panel Harness Assembly | CD control suffix |
| | 70084001 | Jumper Bypass Assembly | MT and OM control suffixes |
| 1 | M414228P | Transformer | 200-240 Volt/60 Hertz/3 Phase, 200-240 Volt/50 Hertz/1 or 3 Phase |
| | M414229P | Transformer | 380-480 Volt/50 or 60 Hertz/3 Phase |
| 2 | 39733 | Screw | |
| 3 | M413865 | Terminal Block | |
| 4 | M413616P | Electric Contactor Kit | 2 required for 200-240 Volt models; 1 required for 380-480 Volt models |
| 5 | 70030501 | Expansion Clip | |
| 6 | M413118 | Fuse | 2 Amp; 240 Volt and lower |
| | M414232 | Fuse | 3.5 Amp; All other voltages |
| | M413621 | Fuse | 0.5 Amp; 380 Volt and higher |
| 7 | 91024P | Fuse Receptacle | |
| | M413544P | Fuse Holder | 380 Volt and higher |
| 8 | 70086301 | Fuse Bracket | Low voltage |
| | 70086401 | Fuse Bracket | 380 Volt and higher |
| 9 | M413614P | Fan Contactor | |
| 10 | 51780 | Screw | For contactor |
| 11 | 70164401 | Junction Box Cover | |
| 12 | 430497 | Screw | |
| 13 | 70126601 | Fuse Cover | |
| 14 | 70058501 | Pop Rivet | |

Rear Control Box - Gas CE Models

| REF | PART NO. | DESCRIPTION | COMMENTS |
|-----------|-----------|--|---|
| | M413505 | Jumper Harness Assembly | 120 Volt/50 or 60 Hertz/1 Phase; OM and RM control suffixes |
| | M413504 | Jumper Harness Assembly | 100 Volt/50 or 60 Hertz/1 Phase |
| | M413510 | Jumper Configuration Assembly | 480 Volt/60 Hertz/3 Phase |
| | M413509 | Jumper Harness Assembly | 415 Volt/50 Hertz/3 Phase |
| | M413508 | Jumper Harness Assembly | 380 Volt/50 Hertz/3 Phase |
| | M413506 | Jumper Harness Assembly | 208 Volt/60 Hertz/1 or 3 Phase |
| | M413507 | Jumper Configuration Assembly | 230 Volt/50 Hertz/1 Phase or 230, 240 Volt/50 or 60 Hertz/3 Phase |
| | 70067001P | High Limit Harness | |
| | 70204801 | Main Harness Assembly | NC, NR, NX, NY, ZC, ZR, ZX and ZY control suffixes |
| | 70204501 | Main Remote Interface Harness Assembly | |
| | 70120901 | Jumper Disconnect Assembly | |
| | 70211703 | Jumper Calibration Assembly | NC, NR, NX, NY, ZC, ZR, ZX and ZY control suffixes |
| | 70083301P | Ignition Control Harness | |
| | 70204601 | Junction Box Harness Assembly | |
| | 70206301 | Control Panel Harness Assembly | NC, NR, NX, NY, ZC, ZR, ZX and ZY control suffixes |
| | 70236301 | Control Panel Harness Assembly | MT control suffix |
| | 70236601P | Control Panel Harness Assembly | EDC |
| | 70235801 | Control Panel Harness Assembly | NC, NR, NX, NY, ZC, ZR, ZX and ZY control suffixes |
| | 70236501P | Control Wire Harness Assembly | EDC |
| | 70236401P | Control Panel Harness Assembly | CD control suffix |
| | 70164402 | Junction Box Cover | |
| | 70006201 | High Voltage Lead | |
| | M413431 | Pushbutton Switch | |
| 1 | 70124101 | Fuse Bracket | 240 Volt and lower |
| | 70124201 | Fuse Bracket | 380 Volt and higher |
| 2 | 502591P | Fuse Holder Kit | |
| | M413544P | Fuse Holder | 380 Volt and higher |
| 3 | M413621 | Fuse | 0.5 Amp; 2 required; 380 Volt and higher |
| | M413867 | Fuse | 2 Amp; 2 required; 240 Volt and lower |
| | M413889 | Fuse | 4 Amp; 1 required; All other voltages |
| 4 | M413614P | Fan Contactor | |
| 5 | 33562 | Screw | |
| 6 | M414228P | Transformer | 230 Volt |
| | M414229P | Transformer | 380-480 Volt/50 or 60 Hertz/3 Phase |
| 7 | M412370 | Extension Handle | |
| 8 | M412208 | Handle | |
| 9 | 70121001 | End Stop | 3 required |
| 10 | 70121101 | End Cover | 1 required |
| 11 | 70120001 | Terminal Block | 3 required per machine |
| 12 | M412187 | Mounting Switch Base | |
| 13 | M412368 | Door Interlock | 20 Amp |
| 14 | M412366 | Finger Guard | |
| 15 | N/A | Din Rail | 101 mm |
| 16 | 430497 | Screw | |
| 17 | M413433P | Ignition Control | |
| 18 | M405824 | Screw | |

N/A = Part no longer available

Rear Control Box - Steam CE Models



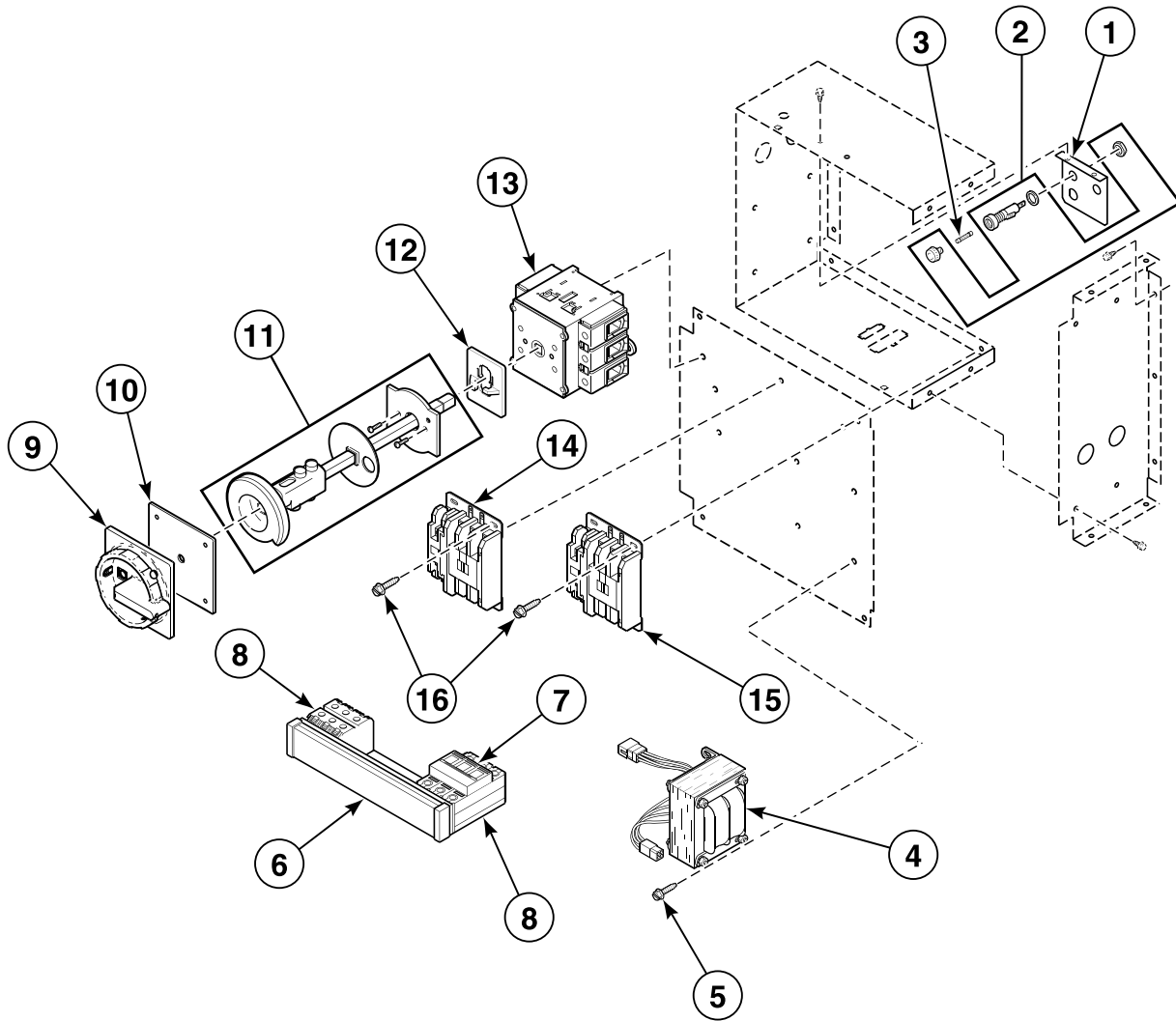
TMB2002P_70185001

Rear Control Box - Steam CE Models

| REF | PART NO. | DESCRIPTION | COMMENTS |
|-----------|-----------|--|---|
| | M413505 | Jumper Harness Assembly | 120 Volt/50 or 60 Hertz/1 Phase; OM and RM control suffixes |
| | M413504 | Jumper Harness Assembly | 100 Volt/50 or 60 Hertz/1 Phase |
| | M413510 | Jumper Configuration Assembly | 480 Volt/60 Hertz/3 Phase |
| | M413509 | Jumper Harness Assembly | 415 Volt/50 Hertz/3 Phase |
| | M413508 | Jumper Harness Assembly | 380 Volt/50 Hertz/3 Phase |
| | M413507 | Jumper Configuration Assembly | 230 Volt/50 Hertz/1 Phase or 230, 240 Volt/50 or 60 Hertz/3 Phase |
| | 70067001P | High Limit Harness | |
| | 70204801 | Main Harness Assembly | NC, NR, NX, NY, ZC, ZR, ZX and ZY control suffixes |
| | 70204501 | Main Remote Interface Harness Assembly | |
| | 70113101 | Steam Jumper Assembly | |
| | 70120901 | Jumper Disconnect Assembly | |
| | 70211703 | Jumper Calibration Assembly | NC, NR, NX, NY, ZC, ZR, ZX and ZY control suffixes |
| | 70204601 | Junction Box Harness Assembly | |
| | 70206301 | Control Panel Harness Assembly | NC, NR, NX, NY, ZC, ZR, ZX and ZY control suffixes |
| | 70206301 | Control Panel Harness Assembly | NC, NR, NX, NY, ZC, ZR, ZX and ZY control suffixes |
| | 70236301 | Control Panel Harness Assembly | MT control suffix |
| | 70236601P | Control Panel Harness Assembly | EDC |
| | 70235801 | Control Panel Harness Assembly | NC, NR, NX, NY, ZC, ZR, ZX and ZY control suffixes |
| | 70236501P | Control Wire Harness Assembly | EDC |
| | 70236401P | Control Panel Harness Assembly | CD control suffix |
| | 70164402 | Junction Box Cover | |
| 1 | 70124101 | Fuse Bracket | 240 Volt and lower |
| | 70124201 | Fuse Bracket | 380 Volt and higher |
| 2 | 502591P | Fuse Holder Kit | |
| | M413544P | Fuse Holder | 380 Volt and higher |
| 3 | M413621 | Fuse | 0.5 Amp; 2 required; 380 Volt and higher |
| | M413867 | Fuse | 2 Amp; 2 required; 240 Volt and lower |
| | M413889 | Fuse | 4 Amp; 1 required; All other voltages |
| 4 | M413614P | Fan Contactor | |
| 5 | 33562 | Screw | |
| 6 | M414228P | Transformer | 230 Volt |
| | M414229P | Transformer | 380-480 Volt/50 or 60 Hertz/3 Phase |
| 7 | M412370 | Extension Handle | |
| 8 | M412208 | Handle | |
| 9 | 70121001 | End Stop | 3 required |
| 10 | 70121101 | End Cover | 1 required |
| 11 | 70120001 | Terminal Block | 3 required per machine |
| 12 | M412187 | Mounting Switch Base | |
| 13 | M412368 | Door Interlock | 20 Amp |
| 14 | M412366 | Finger Guard | |
| 15 | N/A | Din Rail | 101 mm |
| 16 | 430497 | Screw | |

N/A = Part no longer available

Rear Control Box - Electric CE Models Through Serial No. 112006347



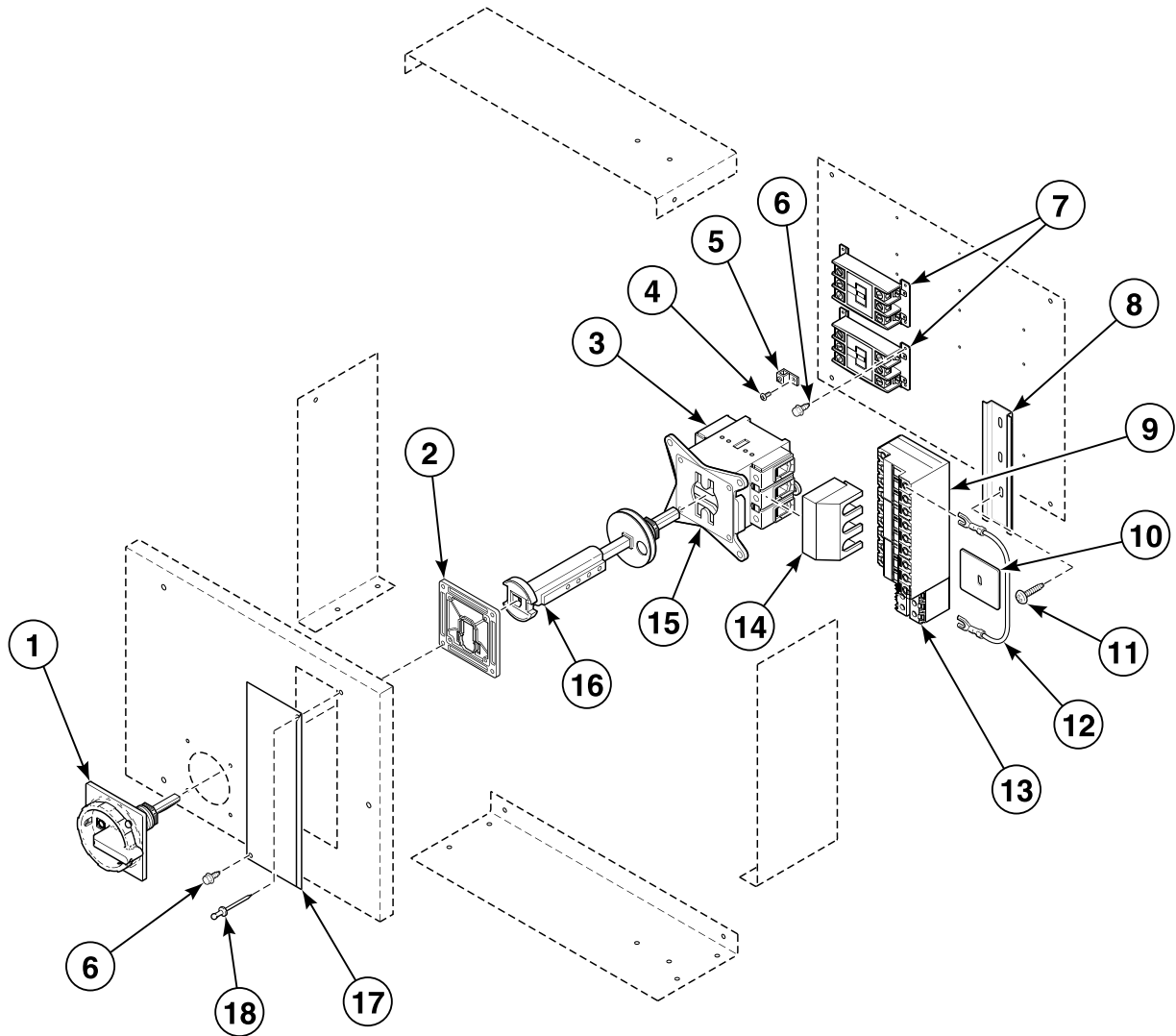
TMB2003P_70185001

Rear Control Box - Electric CE Models Through Serial No. 112006347

| REF | PART NO. | DESCRIPTION | COMMENTS |
|-----------|-----------|--|--|
| | M413510 | Jumper Configuration Assembly | 480 Volt/60 Hertz/3 Phase |
| | M413509 | Jumper Harness Assembly | 415 Volt/50 Hertz/3 Phase |
| | M413508 | Jumper Harness Assembly | 380 Volt/50 Hertz/3 Phase |
| | M413506 | Jumper Harness Assembly | 208 Volt/60 Hertz/1 or 3 Phase |
| | M413507 | Jumper Configuration Assembly | 230, 240 Volt/50 or 60 Hertz/3 Phase |
| | 70067001P | High Limit Harness | |
| | 70204801 | Main Harness Assembly | NC, NR, NX, NY, ZC, ZR, ZX and ZY control suffixes |
| | 70204501 | Main Remote Interface Harness Assembly | |
| | M413883 | Jumper Harness Assembly | 200-240 Volt |
| | 70138801 | Jumper Assembly | 3 Phase; 6 gauge |
| | 70211703 | Jumper Calibration Assembly | NC, NR, NX, NY, ZC, ZR, ZX and ZY control suffixes |
| | 70236001 | Junction Box Harness Assembly | |
| | 70204601 | Junction Box Harness Assembly | |
| | 70206301 | Control Panel Harness Assembly | NC, NR, NX, NY, ZC, ZR, ZX and ZY control suffixes |
| | 70236301 | Control Panel Harness Assembly | MT control suffix |
| | 70236601P | Control Panel Harness Assembly | EDC |
| | 70235801 | Control Panel Harness Assembly | NC, NR, NX, NY, ZC, ZR, ZX and ZY control suffixes |
| | 70236501P | Control Wire Harness Assembly | EDC |
| | 70236401P | Control Panel Harness Assembly | CD control suffix |
| | 70164402 | Junction Box Cover | |
| | N/A | Din Rail | For circuit breaker; 51 mm |
| | M412692 | Din Rail | For terminal blocks; 89 mm |
| 1 | 70124201 | Fuse Bracket | |
| 2 | 502591P | Fuse Holder Kit | 250 Volt |
| | M413544P | Fuse Holder | 600 Volt |
| 3 | M413621 | Fuse | 0.5 Amp; 600 Volt |
| | M413889 | Fuse | 4 Amp; 250 Volt |
| 4 | M414229P | Transformer | |
| 5 | 430497 | Screw | |
| 6 | M412756 | Buss Bar Assembly | 9 position |
| 7 | M412407 | Circuit Breaker | 8 Amp |
| 8 | M412045 | Terminal Block | 3 Pole; 2 required on 380-415 Volt models |
| 9 | 70268001 | Handle | |
| 10 | M412118 | Disconnect Switch Gasket | |
| 11 | M412371 | Extension Handle | |
| 12 | M412368 | Door Interlock | |
| 13 | M412186 | Mounting Switch Base | |
| 14 | M413616P | Electric Contactor Kit | Heater |
| 15 | M413614P | Fan Contactor | |
| 16 | 33562 | Screw | |

N/A = Part no longer available

Rear Control Box - Electric CE Models Starting Serial No. 112006348



TMB1858P_70185001

Rear Control Box - Electric CE Models Starting Serial No. 112006348

| REF | PART NO. | DESCRIPTION | COMMENTS |
|-----------|-----------|--|---|
| | M413510 | Jumper Configuration Assembly | 480 Volt/60 Hertz/3 Phase |
| | M413509 | Jumper Harness Assembly | 415 Volt/50 Hertz/3 Phase |
| | M413508 | Jumper Harness Assembly | 380 Volt/50 Hertz/3 Phase |
| | M413506 | Jumper Harness Assembly | 208 Volt/60 Hertz/1 or 3 Phase |
| | M413507 | Jumper Configuration Assembly | 230, 240 Volt/50 or 60 Hertz/3 Phase |
| | 70067001P | High Limit Harness | |
| | 70204801 | Main Harness Assembly | NC, NR, NX, NY, ZC, ZR, ZX and ZY control suffixes |
| | 70204501 | Main Remote Interface Harness Assembly | |
| | M413883 | Jumper Harness Assembly | 200-240 Volt |
| | 70138801 | Jumper Assembly | 3 Phase; 6 gauge |
| | 70211703 | Jumper Calibration Assembly | NC, NR, NX, NY, ZC, ZR, ZX and ZY control suffixes |
| | 70236001 | Junction Box Harness Assembly | |
| | 70204601 | Junction Box Harness Assembly | |
| | 70206301 | Control Panel Harness Assembly | NC, NR, NX, NY, ZC, ZR, ZX and ZY control suffixes |
| | 70236301 | Control Panel Harness Assembly | MT control suffix |
| | 70236601P | Control Panel Harness Assembly | EDC |
| | 70235801 | Control Panel Harness Assembly | NC, NR, NX, NY, ZC, ZR, ZX and ZY control suffixes |
| | 70236501P | Control Wire Harness Assembly | EDC |
| | 70236401P | Control Panel Harness Assembly | CD control suffix |
| | 70164402 | Junction Box Cover | |
| 1 | 70268001 | Handle | |
| 2 | M412118 | Disconnect Switch Gasket | |
| 3 | M412186 | Mounting Switch Base | 100 Amp |
| 4 | M402917 | Screw | Ground |
| 5 | M411283 | Ground Lug Connector | |
| 6 | 39733 | Screw | |
| 7 | M413616P | Electric Contactor Kit | 2 required for 200-240 Volt; 1 required for 380-415 Volt |
| 8 | N/A | Din Rail | 380-415 Volt/50 Hertz/3 Phase; 127 mm |
| | M412693 | Din Rail | 380-415 Volt/50 Hertz/3 Phase; 165 mm |
| 9 | M412401 | Circuit Breaker | 230 Volt/50 Hertz/1 Phase; 8 Amp |
| | M412406 | Circuit Breaker | 230 Volt/50 Hertz/1 and 3 Phase; 40 Amp |
| | M412407 | Circuit Breaker | 380-415 Volt/50 Hertz/3 Phase; 8 Amp |
| 10 | 44014901P | Power Distribution Block Cover | |
| 11 | 430497 | Screw | |
| 12 | 70260201 | Jumper Wire | 10 inches |
| | M414121 | Jumper Cable Assembly | 6.75 inches |
| | M413933 | Jumper Cable Assembly | 7.5 inches |
| 13 | M413865 | Terminal Block | 230 Volt/50 Hertz/1 Phase and 380-415 Volt/50 Hertz/3 Phase |
| 14 | M412367 | Finger Guard | |
| 15 | M412369 | Door Interlock | |
| 16 | M412370 | Extension Handle | |
| 17 | 70133901 | Electrical Box Access Cover | |
| 18 | 70058501 | Pop Rivet | |

N/A = Part no longer available

Parts Index

A

| | |
|------------------------|----|
| Adapter | |
| 70131901 | 49 |
| Air Filter | |
| 70036001 | 57 |
| Airflow Switch | |
| 70267301 | 47 |
| Airflow Switch Bracket | |
| 70266301 | 47 |
| Airflow Switch Kit | |
| 70270901P | 47 |
| Airflow Switch Plate | |
| 70271601 | 47 |
| Airflow Switch Vane | |
| 70266201 | 47 |
| Audit Switch Bracket | |
| 70183901 | 15 |
| 70292601 | 5 |

B

| | |
|-------------------------------|--------|
| Baffle Gasket | |
| 70015701 | 25, 27 |
| 70015702 | 25, 27 |
| 70015705 | 25, 27 |
| Belt | |
| 70276201P | 37 |
| Blower Assembly | |
| 70359801P | 41 |
| Blower Housing | |
| 70218001 | 41 |
| Blower Housing Cover Assembly | |
| 70299201 | 41 |
| Blower Housing Scroll | |
| 70218101 | 41 |
| Blower Inlet Cone | |
| 70014101 | 41 |
| Blower Motor | |
| 70337501P | 43 |
| 70342601P | 43 |
| Blower Motor Kit | |
| 70337601P | 43 |
| 70337701P | 43 |
| Blower Motor Mounting Plate | |
| 70185401 | 41 |
| Bolt | |
| 70062401 | 37 |
| Burner Grill | |
| 70188801 | 45 |
| Burner Orifice | |
| M401000 | 53 |
| M401002 | 53 |
| M401011 | 53 |
| M401014 | 53 |
| M401024 | 53 |
| M402980 | 53 |
| M402995 | 53 |
| M402996 | 53 |

| | |
|-------------------|----|
| M403017 | 53 |
| M406184 | 53 |
| M406361 | 53 |
| M411373 | 53 |
| M411374 | 53 |
| M411375 | 53 |
| M411376 | 53 |
| M411511 | 53 |
| 70070902 | 53 |
| Buss Bar Assembly | |
| M412756 | 71 |

C

| | |
|--------------------------------------|--------|
| Cabinet Strap | |
| 70058301 | 27 |
| Card Reader | |
| 39685P | 7 |
| Card Reader and Bracket Assembly | |
| 510068P | 13 |
| Card Reader Harness Assembly | |
| 70211801 | 7, 13 |
| Card Reader Mounting Bracket | |
| M414120 | 7 |
| Card Reader Network Harness Assembly | |
| 70206601 | 7, 13 |
| Center Cylinder Seal Assembly | |
| 70066003 | 25, 27 |
| Chassis Mounting Bracket | |
| 70119001 | 7 |
| Circuit Board Support | |
| 34896 | 9, 11 |
| Circuit Breaker | |
| M412401 | 73 |
| M412406 | 73 |
| M412407 | 71, 73 |
| Clip | |
| 70226701 | 27 |
| Coin Box | |
| F160673 | 27 |
| Coin Chute Assembly | |
| 70296401 | 27 |
| Coin Drop | |
| 38479P | 5, 15 |
| 38963P | 5, 15 |
| 70256402P | 5, 15 |
| Coin Drop Assembly | |
| 200578P | 5, 15 |
| 38462P | 5, 15 |
| 38463 | 5, 15 |
| 38464P | 5, 15 |
| 38467 | 5, 15 |
| 38475 | 5, 15 |
| 38478 | 5, 15 |
| 38519 | 5, 15 |
| 38521 | 5, 15 |
| 38522 | 5, 15 |
| 39157 | 5, 15 |
| 70273802 | 5, 15 |
| Coin Drop Kit | |
| CK090 | 5 |

N/A items do not appear in index.

| | | | |
|------------------------------------|----------------------------|--------------------------------------|----------------------------|
| Coin Meter | | Control Wire Harness Assembly | |
| M412546 | 9 | 70236501P | 59, 63, 65, 67, 69, 71, 73 |
| M412547 | 9 | Cylinder Bearing Stud Plate Assembly | |
| 70112501P | 9 | 430352 | 33 |
| 70112701P | 9 | Cylinder Channel Kit | |
| 70137301P | 9 | M4762P3 | 35 |
| 70137401P | 9 | Cylinder Guide Tool | |
| 70138401P | 9 | 263P4 | 33 |
| 70151301 | 9 | Cylinder Idler Arm | |
| 70262401 | 9 | 70259901 | 37 |
| 70262501 | 9 | Cylinder Idler Bracket | |
| Coin Meter Control Kit | | 70261601 | 37 |
| M4693P3 | 9 | Cylinder Kit | |
| M4723P3 | 9 | 70222201P | 33 |
| Coin Vault Assembly | | 70222202P | 33 |
| 70180101 | 25, 27 | 70334401P | 33 |
| Coin Vault Switch Harness Assembly | | 70334402P | 33 |
| 70235201 | 25, 27 | | |
| Coin Vault Trim | | | |
| 70117501 | 23 | | |
| 70117502 | 23 | | |
| Communication Board | | | |
| 210097 | 17 | | |
| Communication Board Bracket | | | |
| 70205401 | 17 | | |
| Communication Connector | | | |
| 210099 | 17 | | |
| Communication Harness Assembly | | | |
| 70211101 | 17 | | |
| Contact Block | | | |
| 70116701 | 21 | | |
| Control Door Assembly | | | |
| 70175901 | 5 | | |
| 70175902 | 5 | | |
| 70175903 | 7 | | |
| 70175904 | 7 | | |
| 70175906 | 11 | | |
| 70175907 | 9 | | |
| 70175908 | 9 | | |
| 70175909 | 15 | | |
| 70175910 | 15 | | |
| 70175911 | 13 | | |
| Control Door Latch | | | |
| 431318 | 5, 7, 9, 11, 13, 15 | | |
| Control Housing | | | |
| 70119901 | 21 | | |
| Control Housing Cover | | | |
| 70203201 | 19 | | |
| Control Kit | | | |
| M414049P | 5, 7 | | |
| 505905P | 13, 15 | | |
| Control Panel Harness Assembly | | | |
| 70206301 | 59, 63, 65, 67, 69, 71, 73 | | |
| 70235801 | 59, 67, 69, 71, 73 | | |
| 70236301 | 59, 63, 65, 67, 69, 71, 73 | | |
| 70236401P | 59, 63, 65, 67, 69, 71, 73 | | |
| 70236601P | 67, 69, 71, 73 | | |
| Control Plate Assembly | | | |
| 70348901 | 13 | | |
| 70349001 | 13 | | |
| Control Trim | | | |
| 70116901 | 21 | | |
| 70116902 | 21 | | |
| 70117001 | 21 | | |
| 70120501 | 21 | | |
| | | | |
| | | D | |
| | | Din Rail | |
| | | M412692 | 71 |
| | | M412693 | 73 |
| | | Disconnect Switch Gasket | |
| | | M412118 | 71, 73 |
| | | Door Assembly | |
| | | 44058001 | 31 |
| | | 70212200 | 31 |
| | | 70212300 | 31 |
| | | Door Glass | |
| | | M400784P | 31 |
| | | 70133601P | 31 |
| | | Door Glass Seal Kit | |
| | | 70211901P | 31 |
| | | Door Handle | |
| | | M400133 | 31 |
| | | 70024801 | 31 |
| | | Door Hinge | |
| | | 70115901* | 31 |
| | | 70115902 | 31 |
| | | Door Hinge Cam Assembly Kit | |
| | | M4771P3 | 31 |
| | | Door Hinge Lug Assembly | |
| | | 44035001 | 31 |
| | | Door Interlock | |
| | | M412368 | 67, 69, 71 |
| | | M412369 | 73 |
| | | Door Latch | |
| | | M401223 | 21, 23 |
| | | Door Ring Gasket | |
| | | 70296801 | 31 |
| | | Door Switch | |
| | | 70125101 | 21, 23 |
| | | Door Switch Actuator Kit | |
| | | 70215001P | 31 |
| | | Door Switch Bracket | |
| | | 70119301 | 21, 23 |
| | | Drive Access Cover | |
| | | 70202501 | 37 |
| | | Drive Motor | |
| | | 70337801P | 39 |
| | | 70338101P | 39 |

N/A items do not appear in index.

| | |
|-------------------|----|
| Drive Motor Kit | |
| 70337901P | 39 |
| 70338001P | 39 |
| Drum Idler Spring | |
| 70045301 | 37 |
| Dual Overlay Kit | |
| 70217001P | 5 |
| 70217101P | 5 |
| 70217201P | 5 |
| 70217301P | 5 |
| Duct Cover | |
| 70207501 | 41 |

E

| | |
|--|--------------------|
| Elbow | |
| 70079601 | 49 |
| Electric Contactor Kit | |
| M413616P | 65, 71, 73 |
| Electrical Box Access Cover | |
| 70133901 | 73 |
| Electronic Control Kit | |
| M4691P3 | 5 |
| M4692P3 | 5 |
| M4721P3 | 5 |
| M4722P3 | 5 |
| Emergency Stop Label | |
| M412235 | 21 |
| Emergency Stop Switch Harness Assembly | |
| 70235301 | 21 |
| End Cap | |
| 70070101 | 33 |
| End Cover | |
| 70121101 | 67, 69 |
| End Stop | |
| 70121001 | 67, 69 |
| Exhaust Damper | |
| 70056201 | 41 |
| Exhaust Duct Assembly | |
| 70246201 | 41 |
| Exhaust Thimble | |
| 70017801 | 41 |
| Expansion Clip | |
| 70030501 | 25, 27, 59, 63, 65 |
| Extension Handle | |
| M412370 | 67, 69, 73 |
| M412371 | 71 |

F

| | |
|---------------------|------------------------|
| Fan Contactor | |
| M413614P | 61, 63, 65, 67, 69, 71 |
| Felt Seal | |
| 70193801 | 33 |
| Finger Guard | |
| M412366 | 67, 69 |
| M412367 | 73 |
| Forward Valve Cover | |
| 70282301 | 51 |
| Front Panel Filler | |
| 70173401P | 21, 23 |

| | |
|-----------------|------------------------|
| Fuse | |
| M413118 | 59, 63, 65 |
| M413621 | 59, 63, 65, 67, 69, 71 |
| M413867 | 67, 69 |
| M413889 | 67, 69, 71 |
| M414232 | 59, 63, 65 |
| M414240 | 59, 63 |
| Fuse Bracket | |
| 70086301 | 59, 63, 65 |
| 70086401 | 59, 63, 65 |
| 70124101 | 67, 69 |
| 70124201 | 67, 69, 71 |
| Fuse Cover | |
| 70126601 | 61, 63, 65 |
| Fuse Holder | |
| M413544P | 59, 63, 65, 67, 69, 71 |
| Fuse Holder Kit | |
| 502591P | 67, 69, 71 |
| Fuse Receptacle | |
| 91024P | 59, 63, 65 |

G

| | |
|----------------------------|--------|
| Gas Burner | |
| 70229801 | 47 |
| Gas Connector Assembly | |
| 70112901 | 49 |
| Gas Line Assembly | |
| 70203601 | 49 |
| Gas Shut-Off Valve | |
| M412562 | 49 |
| Gas Valve Coil | |
| 70260101 | 49 |
| Gas Valve Cover | |
| 70133401 | 45 |
| Gas Valve Harness Assembly | |
| M413650 | 47, 49 |
| Ground Lug Connector | |
| M411283 | 73 |

H

| | |
|--------------------|----------------------------|
| Handle | |
| M412208 | 67, 69 |
| 70268001 | 71, 73 |
| Heater Element | |
| 70034401P | 55 |
| 70034402P | 55 |
| 70034403P | 55 |
| High Limit Harness | |
| 70067001P | 59, 63, 65, 67, 69, 71, 73 |
| High Voltage Lead | |
| 70006201 | 61, 67 |

I

| | |
|----------------------------|----|
| Idler Assembly Service Kit | |
| 70275501 | 37 |
| Idler Lock Bracket | |
| 70173701 | 37 |

N/A items do not appear in index.

| | |
|---|--------|
| Idler Spring Tab 70179701 | 37 |
| Idler Wheel Assembly 70050401P | 37 |
| Ignition Control M413433P | 61, 67 |
| 70367301P | 61 |
| Ignition Control Harness 70083301P | 59, 67 |
| Ignition Control Harness Assembly 70083201 | 59 |
| Indicator Light 70082201 | 9, 11 |
| Insulator M413862 | 59, 63 |

J

| | |
|---|----------------------------|
| Jumper Assembly 70138801 | 71, 73 |
| 70139001 | 65 |
| 70139101 | 65 |
| Jumper Bypass Assembly 70084001 | 59, 63, 65 |
| Jumper Cable Assembly M413933 | 65, 73 |
| M414121 | 73 |
| Jumper Calibration Assembly 70211703 | 59, 63, 65, 67, 69, 71, 73 |
| Jumper Configuration Assembly M413507 | 67, 69, 71, 73 |
| M413510 | 59, 63, 65, 67, 69, 71, 73 |
| Jumper Disconnect Assembly 70120901 | 67, 69 |
| Jumper Harness Assembly M413504 | 59, 63, 67, 69 |
| M413505 | 59, 63, 67, 69 |
| M413506 | 59, 65, 67, 71, 73 |
| M413508 | 59, 63, 65, 67, 69, 71, 73 |
| M413509 | 59, 63, 65, 67, 69, 71, 73 |
| M413883 | 65, 71, 73 |
| Jumper Strip M400869 | 55 |
| Jumper Wire 70260201 | 73 |
| Junction Box Cover 70164401 | 61, 63, 65 |
| 70164402 | 67, 69, 71, 73 |
| Junction Box Harness Assembly 70204601 | 59, 63, 65, 67, 69, 71, 73 |
| 70236001 | 65, 71, 73 |

K

| | |
|-----------------------------|--------|
| Key 70144101 | 41 |
| 70155601 | 21, 29 |
| 70155602 | 29 |
| Kickplate 70117605 | 23 |
| 70117606 | 23 |

| | |
|-----------------------|----|
| Knob M410927 | 11 |
|-----------------------|----|

L

| | |
|--|--------|
| Latch Mounting Bracket 70119101 | 5, 7 |
| 70119801 | 9, 11 |
| 70184501 | 13, 15 |
| Leveling Leg 34319 | 27, 41 |
| Limit Thermostat M409219 | 47 |
| M409443 | 57 |
| M410220 | 55 |
| M411307 | 41 |
| Lint Drawer Gasket 70117901P | 29 |
| Lint Drawer Handle Plate 70323201 | 29 |
| Lint Drawer Switch 431159 | 25, 27 |
| Lint Frame Gasket 70333101 | 29 |
| Lint Screen Assembly 70290601 | 29 |
| Lint Screen Bracket 70026901 | 29 |
| Lint Screen Panel Assembly 70173801 | 29 |
| 70173802 | 29 |
| Lock, Key and Nut Kit 44089301P | 21, 29 |
| 44089302P | 29 |
| Lower Front Panel Assembly 70176101*P | 23 |
| 70176102P | 23 |
| 70176103*P | 23 |
| 70176104P | 23 |
| 70176105*P | 23 |
| 70176106 | 23 |
| 70176107*P | 23 |
| 70176108 | 23 |
| L.P. Conversion Kit M4707P3 | 47 |
| L.P. Gas Valve M414446P | 51 |
| L.P. Valve 70257601P | 49 |
| L.P. Valve Conversion Kit M4734P3 | 49 |

M

| | |
|--|----------------------------|
| Main Harness Assembly 70204801 | 59, 63, 65, 67, 69, 71, 73 |
| Main Remote Interface Harness Assembly 70204501 | 59, 63, 65, 67, 69, 71, 73 |
| Manual Reset Thermostat M411945 | 41 |
| 70186301 | 47 |

N/A items do not appear in index.

| | |
|-----------------------------|--------|
| Manual Timer Control Kit | |
| M4694P3 | 11 |
| M4724P3 | 11 |
| Motor Capacitor | |
| 70211401 | 37 |
| 70211501 | 41 |
| 70211502 | 37 |
| Motor Channel | |
| 70261701 | 37 |
| Motor Mount Bracket | |
| 70127301 | 37 |
| Motor Pulley | |
| 70284201 | 37 |
| 70284203 | 37 |
| Mounting Bracket | |
| 70118901 | 9 |
| 70131301 | 11 |
| 70179001 | 9 |
| 70179101 | 11 |
| Mounting Switch Base | |
| M412186 | 71, 73 |
| M412187 | 67, 69 |
| Multiplier Assembly | |
| 38571 | 5 |
| Multiplier Harness Assembly | |
| 431611 | 5 |

N

| | |
|-------------------------------|-----------------|
| Network Board Assembly | |
| 210016P | 19 |
| Network Wire Harness Assembly | |
| 800217 | 19 |
| Nipple | |
| F420101 | 49 |
| Nut | |
| M400022 | 33, 41 |
| M400034 | 33, 41 |
| M400979 | 47 |
| M401548 | 51 |
| M412986 | 33, 37 |
| M414215 | 31 |
| Q6163 | 55 |
| 21899 | 27, 41 |
| 23951 | 31 |
| 27222 | 37 |
| 29786 | 29 |
| 29796 | 37 |
| 430576 | 25, 27 |
| 56156 | 37 |
| 70030401 | 25 |
| 70054 | 5, 7, 9, 11, 15 |
| 70072901 | 21, 23 |
| N.G. Gas Valve | |
| M414445P | 51 |
| N.G. Valve | |
| 70257501P | 49 |
| N.G. Valve Conversion Kit | |
| M4733P3 | 47, 49 |

O

| | |
|------------------------|----|
| Opto Coupler | |
| 200674P | 15 |
| Orifice Adapter | |
| 70297801 | 51 |
| Orifice Holder Bracket | |
| 70248901 | 51 |
| Orifice Keeper Bracket | |
| 70249001 | 51 |
| O-Ring | |
| 431482 | 49 |
| Overlay | |
| 70113601 | 5 |
| 70113901 | 5 |
| 70114401 | 11 |
| 70114601 | 21 |
| 70114701 | 29 |
| 70115101 | 29 |
| 70115201 | 29 |
| 70115301 | 29 |
| 70115501 | 9 |
| 70115701 | 7 |
| 70128101 | 11 |
| 70128201 | 9 |
| 70129301 | 5 |
| 70129401 | 5 |
| 70129501 | 5 |
| 70129601 | 5 |
| 70129701 | 5 |
| 70129801 | 5 |
| 70129901 | 11 |
| 70135501 | 5 |
| 70135601 | 11 |
| 70135701 | 5 |
| 70136101 | 5 |
| 70136201 | 7 |
| 70136401 | 29 |
| 70136501 | 29 |
| 70136601 | 29 |
| 70136801 | 9 |
| 70137001 | 21 |
| 70184101 | 15 |
| 70184102 | 15 |
| 70184201 | 13 |
| 70235101 | 13 |
| 70239401 | 15 |
| 70239402 | 15 |

P

| | |
|-------------------|--------|
| Partition Baffle | |
| 70022001 | 25 |
| 70022101 | 25 |
| 70057101 | 25 |
| 70198701 | 27 |
| 70198801 | 25, 27 |
| 70215302 | 27 |
| 70215303 | 27 |
| 70232601 | 25, 27 |
| 70232602 | 25, 27 |
| 70232701 | 25, 27 |
| 70232801 | 25, 27 |
| PC Board Standoff | |
| 210098 | 17 |

N/A items do not appear in index.

| | | |
|--------------------------------|-----------|------------------------------------|
| Pipe | 70262601 | 51 |
| Pipe Nipple | 70139601 | 49 |
| Pipe Tee | 70267501 | 51 |
| Pop Rivet | M400003 | 21, 23 |
| | 70058501 | 25, 27, 31, 33, 51, 61, 63, 65, 73 |
| | 70058502 | 27 |
| | 70126401 | 23 |
| Potentiometer | 431353P | 9, 11 |
| Potentiometer Mounting Bracket | 70108001 | 9, 11 |
| Power Distribution Block Cover | 44014901P | 73 |
| Pushbutton | 44018801 | 21 |
| Pushbutton Switch | M413431 | 59, 67 |
| | 70107001 | 5, 15, 21, 23 |

R

| | | |
|-------------------------------|-----------|--------|
| Rear Cylinder Bearing Housing | 70013901 | 33 |
| Rear Cylinder Channel | 70257101 | 35 |
| Rear Cylinder Channel Plate | 70257201 | 35 |
| Rear Cylinder Seal | 70013701P | 33 |
| Rear Cylinder Seal Support | 70017201 | 33 |
| Rear Panel | 70243401P | 25 |
| | 70243402 | 25 |
| Rear Stabilizer Bracket | 70200301 | 41 |
| Rear Valve Cover | 70282401 | 51 |
| Relay | M412534 | 9, 11 |
| | 70210901P | 61, 63 |
| Replacement Door Handle Kit | 70133501P | 31 |
| Retaining Ring | 70023601 | 25, 27 |
| Roller Bearing Assembly | 70298701P | 25, 27 |
| Roller Shaft | 70017701 | 25, 27 |
| | 70232001 | 25, 27 |
| Roller Support Bracket | 70055001 | 25, 27 |
| | 70231901 | 25, 27 |
| Rotary Drop Shroud | 70061701 | 9 |

S

| | | |
|------------------------------|------------|---|
| Screw | M400044 | 31 |
| | M400056 | 37 |
| | M400661 | 31 |
| | M401938 | 21, 23, 47 |
| | M402797 | 9, 11, 47 |
| | M402917 | 9, 11, 73 |
| | M405824 | 59, 63, 67 |
| | M409385 | 31 |
| | M411052 | 11 |
| | M411072 | 21, 23, 61, 63 |
| | 05161 | 47 |
| | 20852 | 29 |
| | 23222 | 49 |
| | 33562 | 67, 69, 71 |
| | 39733 | 65, 73 |
| | 430497 | 7, 35, 41, 45, 47, 49, 51, 55, 61, 63, 65, 67, 69, 71, 73 |
| | 430648 | 37 |
| | 430757 | 31 |
| | 431484 | 49 |
| | 501524 | 5, 7, 13, 15 |
| | 51778 | 61, 63 |
| | 51780 | 61, 63, 65 |
| | 61199 | 31 |
| | 62588 | 33 |
| | 70033502 | 21, 23, 31 |
| | 70069901 | 23 |
| | 70126101 | 41 |
| | 70132301 | 21, 23 |
| Shadow Box Clip | M400972 | 21 |
| Side Panel | 70056601*P | 25, 27 |
| Snap Bushing | M400770 | 51 |
| Solenoid Valve DIN Connector | 70370301P | 57 |
| Spark Electrode | 70032801P | 47 |
| Spud Adapter | 70223501 | 49 |
| Start Switch | 70108501 | 9, 11 |
| Steam Coil | 70231201P | 57 |
| | 70231301P | 57 |
| Steam Jumper Assembly | 70113101 | 63, 69 |
| Steam Valve | 70351001P | 57 |
| | 70351002P | 57 |
| Stove Back | 70183001 | 45 |
| Stove Grill | 70214901 | 55 |
| Support Bearing | 430038 | 33 |

N/A items do not appear in index.

T

| | |
|------------------------|------------------------|
| Tailpiece | |
| 70263101 | 51 |
| Tee | |
| 70071801 | 49 |
| Temperature Knob | |
| 431357 | 9, 11 |
| 70080601 | 9, 11 |
| Terminal Block | |
| M412045 | 71 |
| M413865 | 65, 73 |
| 430642 | 59, 63 |
| 70120001 | 67, 69 |
| Thermal Shield | |
| 70036601 | 25, 27 |
| Thermistor | |
| M414704 | 41 |
| Thermistor Cover | |
| 70112801 | 41 |
| Thermostat Module | |
| 431347P | 9, 11 |
| Timer | |
| M412079P | 11 |
| M412080P | 11 |
| 70131701P | 11 |
| 70131801P | 11 |
| Timer Control Assembly | |
| 70175301P | 9, 11 |
| Timer Knob | |
| 70082101 | 11 |
| Timer Motor | |
| 70218201 | 9 |
| 70218301 | 9 |
| Transformer | |
| M414228P | 59, 63, 65, 67, 69 |
| M414229P | 59, 63, 65, 67, 69, 71 |
| M414230P | 59, 63 |
| M414312P | 59, 63 |
| Trunion and Seal Kit | |
| 70244701P | 33, 35 |
| Tube | |
| 70281601 | 51 |

U

| | |
|----------------------------|----|
| Union | |
| H86000031 | 49 |
| Upper Front Panel Assembly | |
| 70176001*P | 21 |
| 70176002P | 21 |
| 70176003* | 21 |
| 70176004P | 21 |

V

| | |
|-----------------------------|----|
| Valve Bracket and Cover Kit | |
| M4746P3 | 45 |
| M4747P3 | 45 |

W

| | |
|----------------|--------|
| Washer | |
| F430311 | 21, 23 |
| M400991 | 33 |
| M405535 | 9 |
| 70017401 | 41 |
| 70265901 | 37 |
| 70270301 | 37 |
