

Drying Tumblers

Stacked 30 Pound Capacity
Models Through Serial No. DTCK9401011756
Refer to Page 3 for Model Numbers

Parts



Table of Contents

Title	Page
Parts Ordering Information.....	2
Serial Plate Location	2
Model Identification	3
Single Coin Drop.....	4
Dual Coin Drop	6
Cover Plate	8
Microprocessor	10
Front Panel Assembly - Models Through Serial No. DTCK0728885ZH	12
Front Panel Assembly - Models Starting Serial No. DTCK0728885ZH Through Serial No. DTCK9312664705	14
Side Panels.....	16
Loading Door	18
Lint Drawer.....	20
Cylinder.....	22
Drive Shaft - Models Through Serial No. DTCK0696605YF	24
Drive Shaft - Models Starting Serial No. DTCK0696605YF	26
Blower Housing and Fan.....	28
Motor and Belt Guard.....	30
Thermostat and Burner	32
Gas Valve - Single Input	34
Gas Valve - Dual Input Models Starting Serial No. DTCK0714594ZA Through Serial No. DTCK9211033713.....	36
Gas Valve - Dual Input Models Through Serial No. DTCK0714594ZA.....	38
Gas Valve Coils	40
Junction Box - 120 or 208-240 Volt/60 Hertz	42
Junction Box - 240 Volt/50 Hertz	44
Junction Box - 120 or 208-240 Volt/60 Hertz	46
Junction Box - 240 Volt/50 Hertz	48
Contactor Box	50
Stickers and Labels - Front of Machine	52
Stickers and Labels - Rear of Machine	54
Parts Index.....	57

© Copyright 2006, Alliance Laundry Systems LLC

All rights reserved. No part of the contents of this book may be reproduced or transmitted in any form or by any means without the expressed written consent of the publisher.

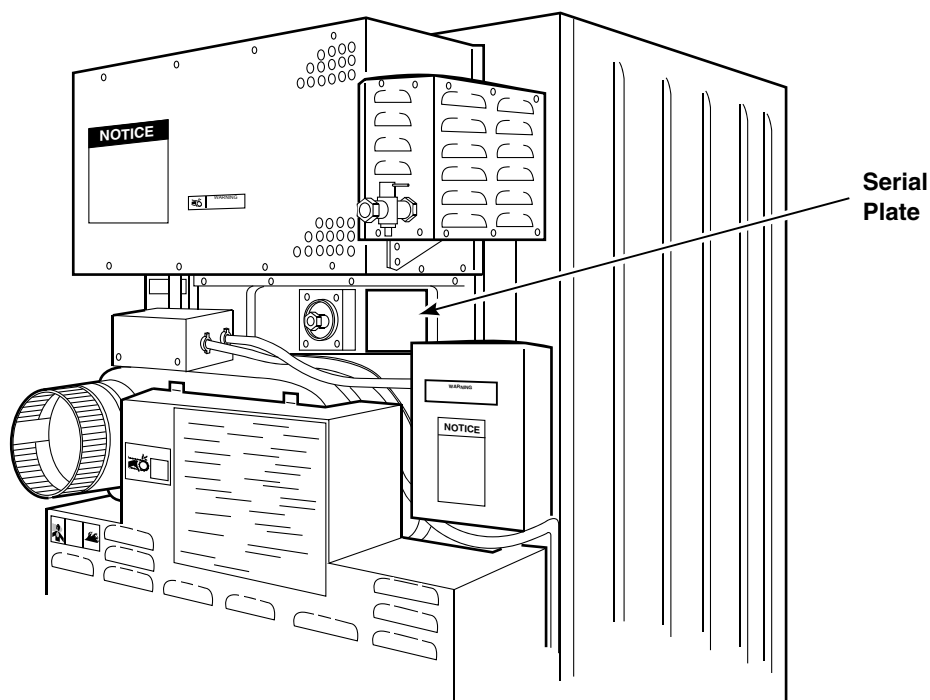
Parts Ordering Information

If literature or replacement parts are required, contact the source from whom the machine was purchased or contact Alliance Laundry Systems at (920) 748-3950 for the name and address of the nearest authorized parts distributor.

For technical assistance, call (920) 748-3121.

Serial Plate Location

When calling or writing about your product, be sure to mention model and serial numbers. Model and serial numbers are located on serial plate(s) as shown.



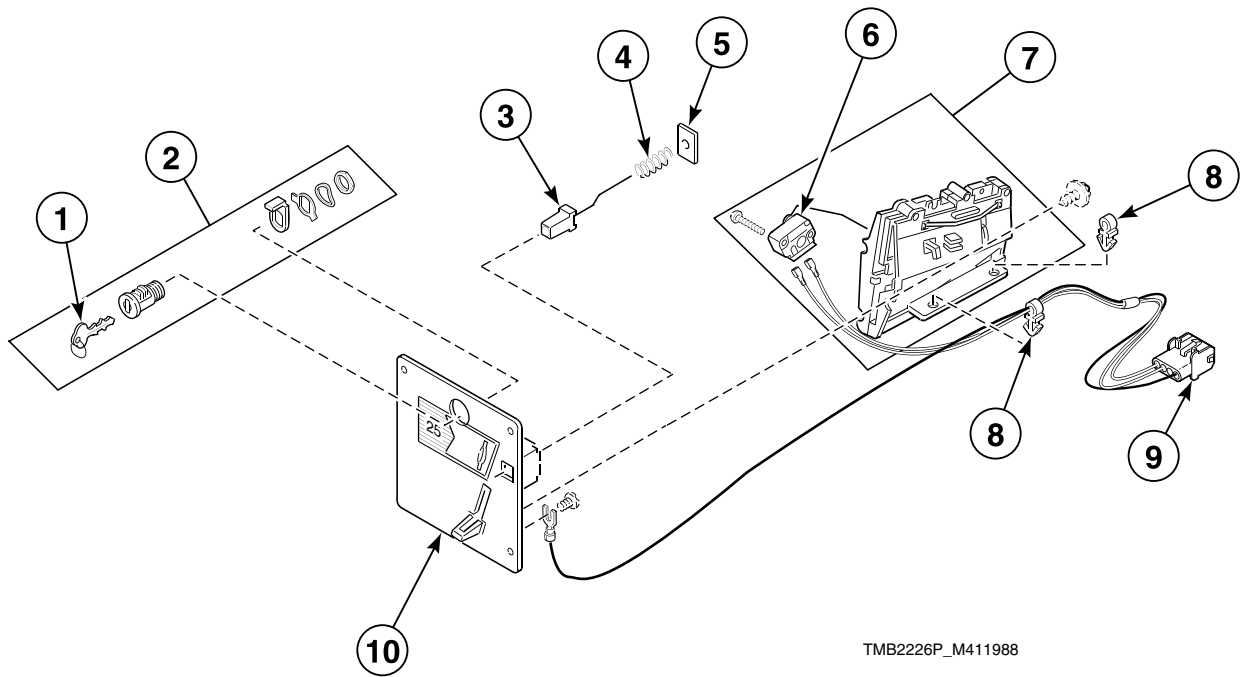
TMB2225P_M411988

Model Identification

Information in this manual is applicable to these stacked drying tumbler models:

JCD32DG
JTD32DG
SCD32DG
STD32DG

Single Coin Drop

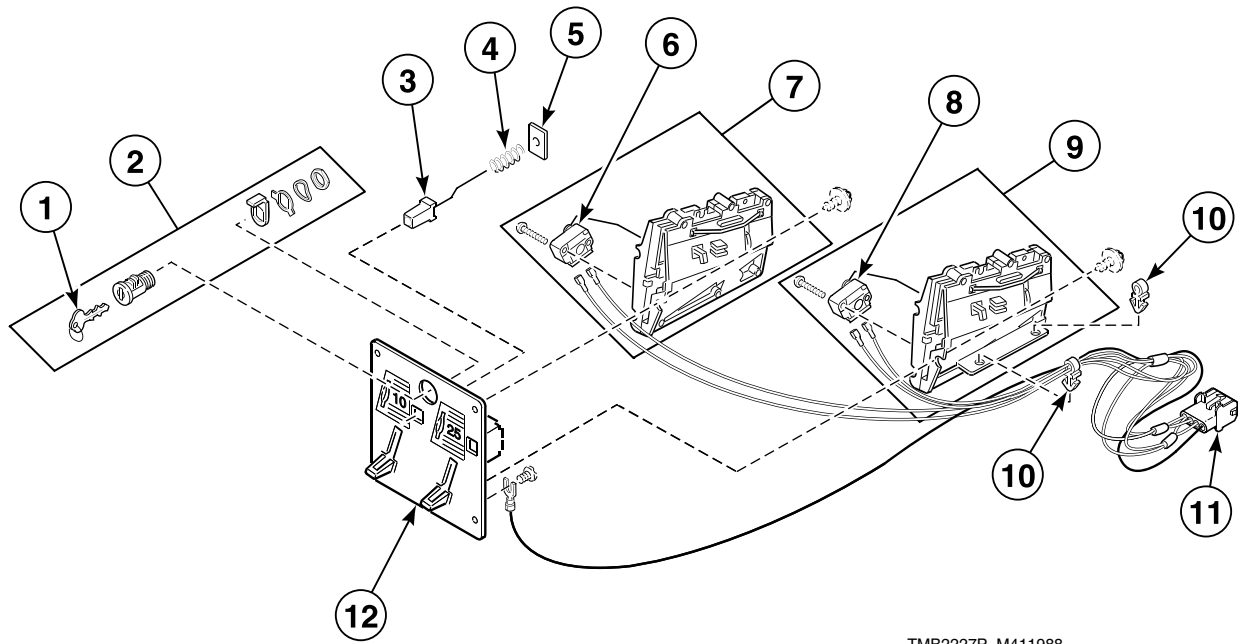


Single Coin Drop

REF	PART NO.	DESCRIPTION	COMMENTS
	70286101P	Coin Drop Switch	
	70264901	Coin Drop	Models JCD32DG and SCD32DG; .50 euro
	N/A	Coin Drop	Models JCD32DG and SCD32DG; .20 euro
	70379901	Control Panel Overlay	S models; Top
	70380001	Control Panel Overlay	S models; Bottom
	70380101	Control Panel Overlay	J models; Top
	70380201	Control Panel Overlay	J models; Bottom
	N/A	Single Coin Drop Harness	Models through Serial No. DTCK9312064705 or DTCK9401011756
	44089301P	Lock, Key and Nut Kit	RL001; Can be used to replace items 1 and 2
	44089302P	Lock, Key and Nut Kit	RL002; Can be used to replace items 1 and 2
1	430664	Coin Drop Key	
2	N/A	Lock and Key Assembly	
3	81312J	Reject Button	
4	N/A	Reject Button Spring	
5	N/A	Reject Button Cover Plate	
6	N/A	Coin Switch	.25
7	M412094	Rejector	.25
8	N/A	Clip	
9	N/A	Single Wire Harness Assembly	
10	431623P	Coin Drop Kit	U.S.; .25
	430605	Coin Drop	Token; STD 118-1
	N/A	Coin Drop	Canada; .25
	N/A	Coin Drop	Japan; 100 yen
	430609	Coin Drop	France; 2 franc
	N/A	Coin Drop	Hong Kong; \$5.00 piece
	N/A	Coin Drop	Token; STD 118-5
	431126	Coin Drop	Korea; 500 won
	431630	Coin Drop	Token; STD 118-16

N/A = Part no longer available

Dual Coin Drop



TMB2227P_M411988

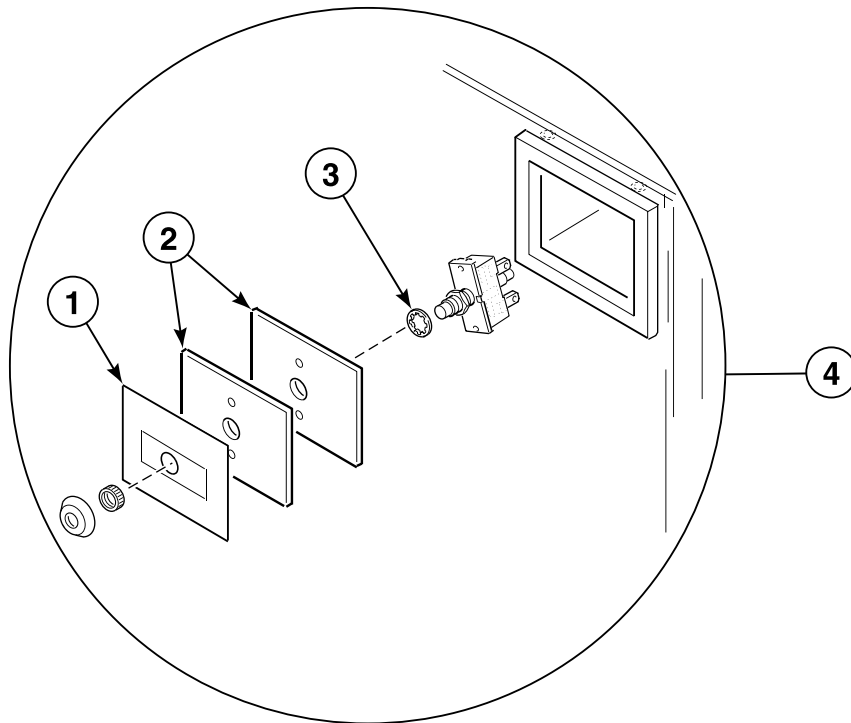
Dual Coin Drop

REF	PART NO.	DESCRIPTION	COMMENTS
	70379902	Overlay	S models; Top
	70380002	Overlay	S models; Bottom
	70380102	Overlay	J models; Top
	70380202	Overlay	J models; Bottom
	N/A	Dual Coin Drop Harness	
1	430664	Coin Drop Key	
2	N/A	Lock and Key Assembly	
3	81312J	Reject Button	
4	N/A	Reject Button Spring	
5	N/A	Reject Button Cover Plate	
6	N/A	Switch	
7	81312D	Rejector	.10
8	N/A	Coin Switch	
9	M412094	Rejector	.25
10	N/A	Clip	
11	N/A	Dual Wire Harness Assembly	
12	N/A	Coin Drop	U.S.; .10 and .25
	N/A	Coin Drop	England; 20 pence and 50 pence
	44085402	Coin Drop	Australia; 1.00
	431037	Coin Drop	Belgium; 5 franc and 20 franc
	N/A	Coin Drop	Canada; .25 and 1.00

N/A = Part no longer available

Cover Plate

For Manual Start Kit



TMB2228P_M411988

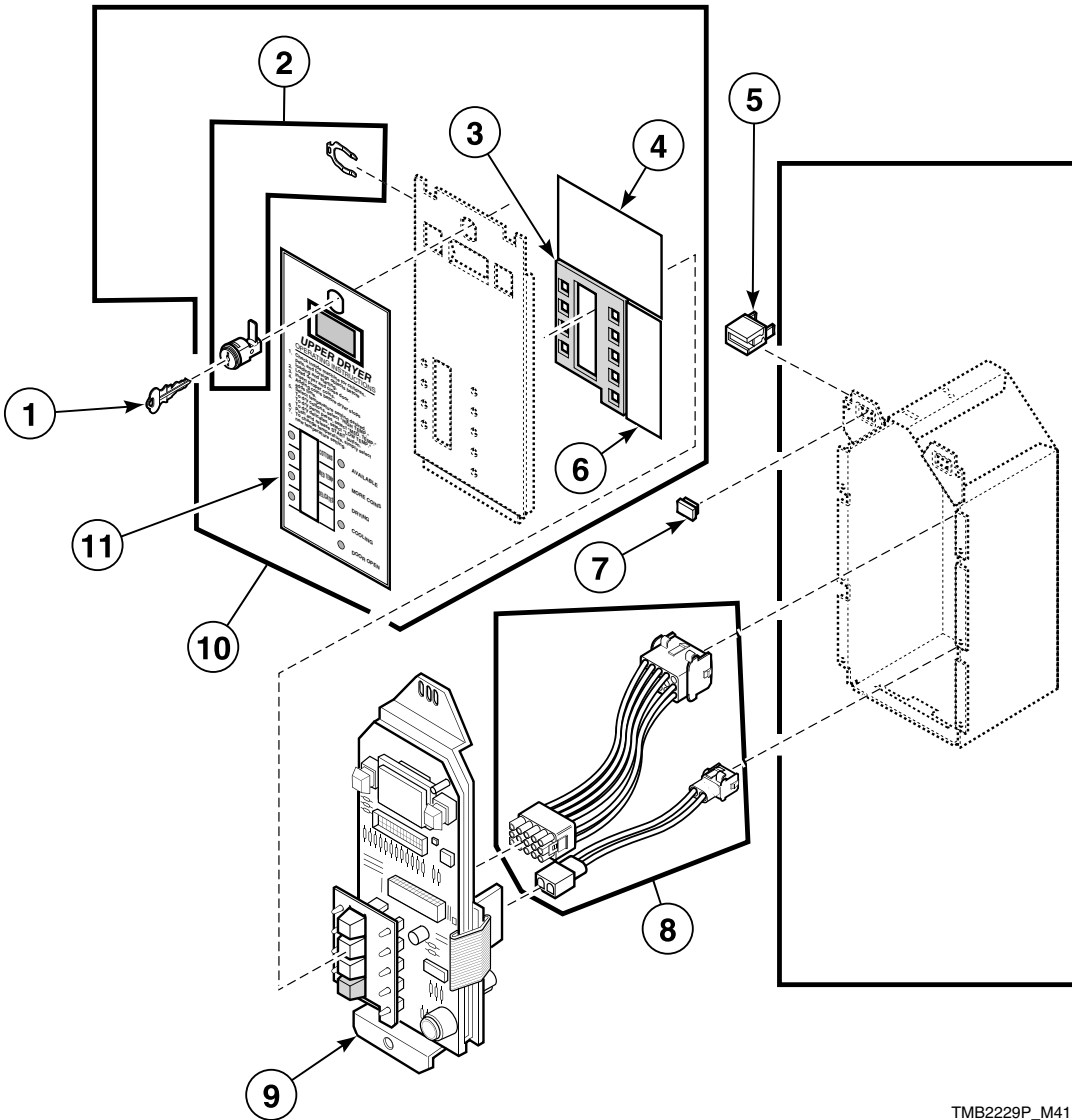
Cover Plate

REF	PART NO.	DESCRIPTION	COMMENTS
	N/A	Outer Front Plate	Used to close off coin vault opening
	N/A	Bolt	Models through Serial No. DTCK0728885ZH
	N/A	Bolt	Models starting Serial No. DTCK0728885ZH
	20275	Nut	Models through Serial No. DTCK0728885ZH
	M401930	Nut	Models starting Serial No. DTCK0728885ZH
1	N/A	Timer Switch Instruction Plate	
2	81637	Switch Plate	2 required
3	N/A	Washer	2 required
4	N/A	Microprocessor Start Assembly	

N/A = Part no longer available

NOTE: DTCK0728885ZH was Serial No. for models with angled Coin Vault located below Coin Drop. Single Coin Drops did not change with Coin Vault change.

Microprocessor



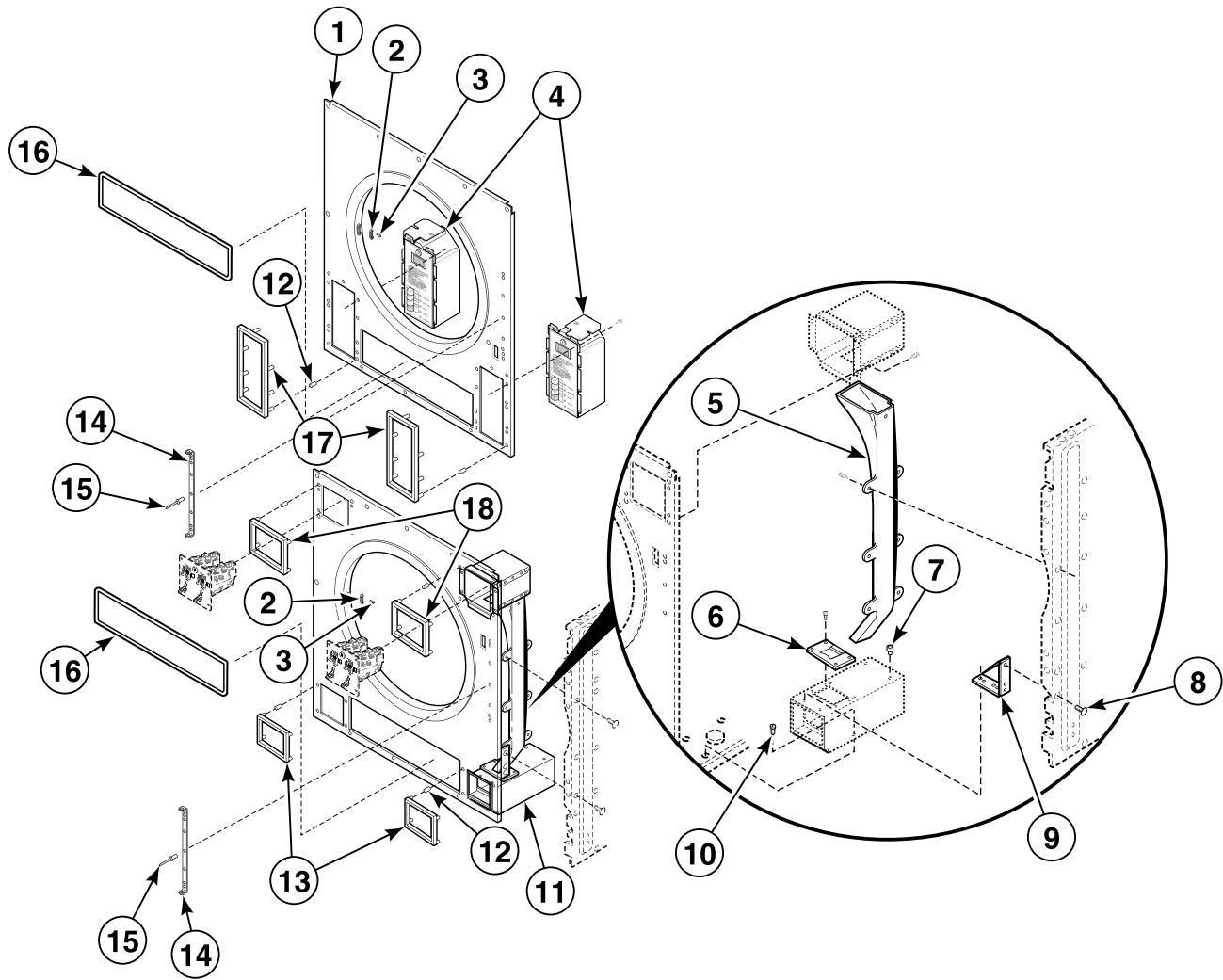
TMB2229P_M411988

Microprocessor

REF	PART NO.	DESCRIPTION	COMMENTS
	44089301P	Lock, Key and Nut Kit	RL001; Can be used to replace items 1 and 2
	44089302P	Lock, Key and Nut Kit	RL002; Can be used to replace items 1 and 2
1	430664	Coin Drop Key	
2	430832P	Microprocessor Door Lock	
3	N/A	Gasket	
4	N/A	Microprocessor Programming Label	
5	N/A	Pilot Light	Models through Serial No. DTCK9211033714
6	N/A	Microprocessor Display Sticker	
7	430561	Flat Lens	Models through Serial No. DTCK9211033714
8	430330P	Microprocessor Wire Harness Kit	
9	431519P	Microprocessor Control Assembly	
10	N/A	Microprocessor Cover Assembly	Left
	N/A	Microprocessor Cover Assembly	Right
11	430902	Door Graphics	Upper door; Models SCD32DG and STD32DG
	430904	Door Graphics	Lower door; Models SCD32DG and STD32DG
	431006	Microprocessor Overlay	Upper; Models JCD32DG and JTD32DG
	431007	Microprocessor Overlay	Lower; Models JCD32DG and JTD32DG

N/A = Part no longer available

Front Panel Assembly - Models Through Serial No. DTCK0728885ZH



TMB2230P_M411988

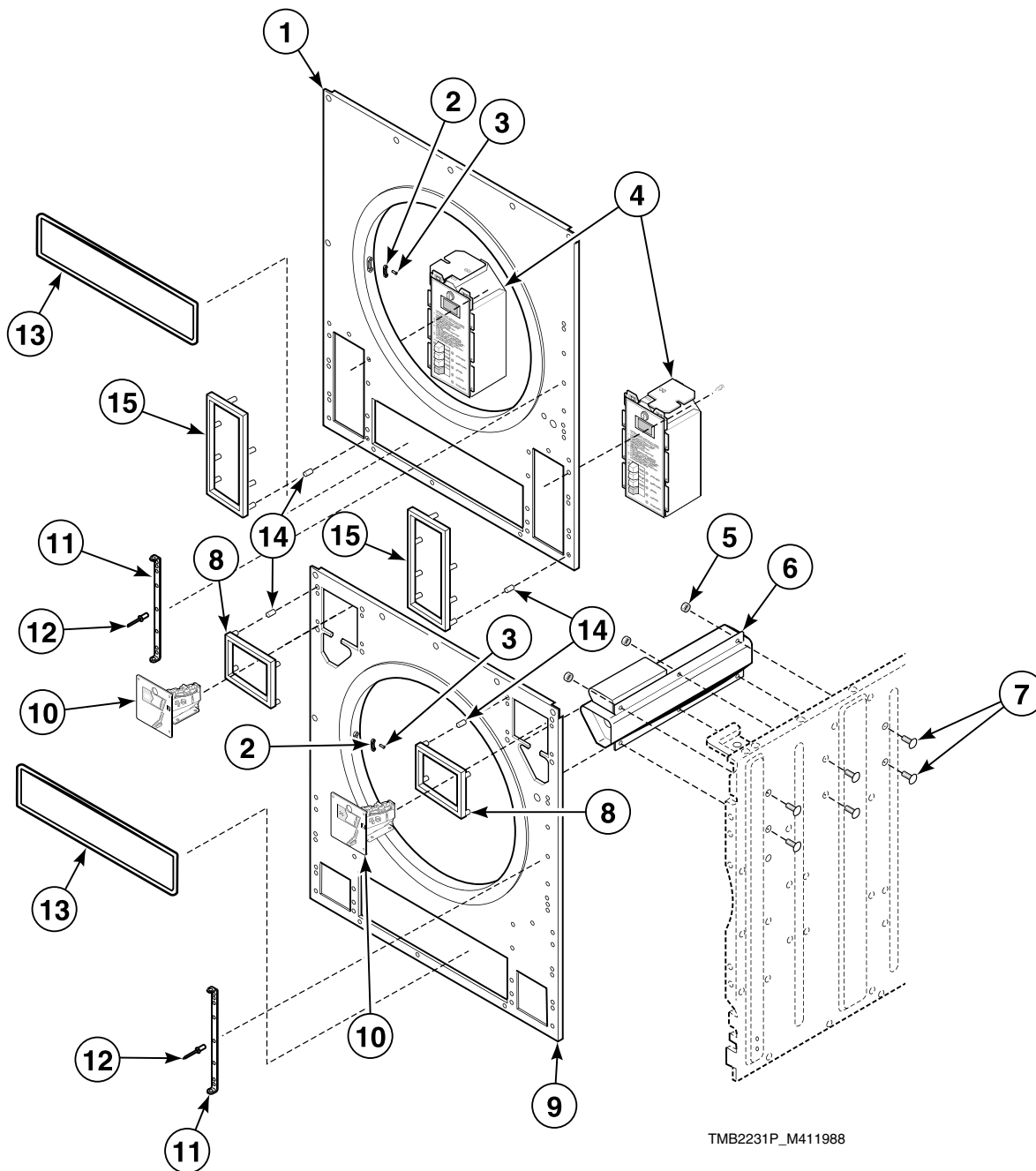
Front Panel Assembly - Models Through Serial No. DTCK0728885ZH

REF	PART NO.	DESCRIPTION	COMMENTS
1	431323*P	Front Panel Assembly	Upper
	N/A	Front Panel Assembly	Stainless steel; Upper
2	M401223	Door Latch	Included with front panel
3	M400003	Pop Rivet	Included with front panel
4	431519P	Microprocessor Control Assembly	
5	430228	Coin Chute	
6	N/A	Coin Chute Bracket	Left
	N/A	Coin Chute Bracket	Right
7	N/A	Coin Vault Plug	
8	430489	Blind Rivet	
9	N/A	Coin Vault Gusset	
10	N/A	Screw	
11	N/A	Front Panel Assembly	Lower
	N/A	Front Panel Assembly	Stainless steel; Lower
12	M400972	Shadow Box Clip	
13	430548	Coin Vault Shadow Box	
14	431000*	Hinge Bracket	Included with front panel
	431044	Hinge Bracket	Stainless steel
15	M410762	Pop Rivet	Included with front panel
16	430638P	Lint Drawer Seal	Included with front panel
17	431326	Microprocessor Control Shadow Box	Included with front panel
18	N/A	Coin Drop Shadow Box	

* Add Letter To Designate Color. B - Battina Green H - Harvest Gold K - Red L - Almond P - Turquoise V - Orange
W - White X - Electric Blue

N/A = Part no longer available

Front Panel Assembly - Models Starting Serial No. DTCK072885ZH Through Serial No. DTCK9312664705



TMB2231P_M411988

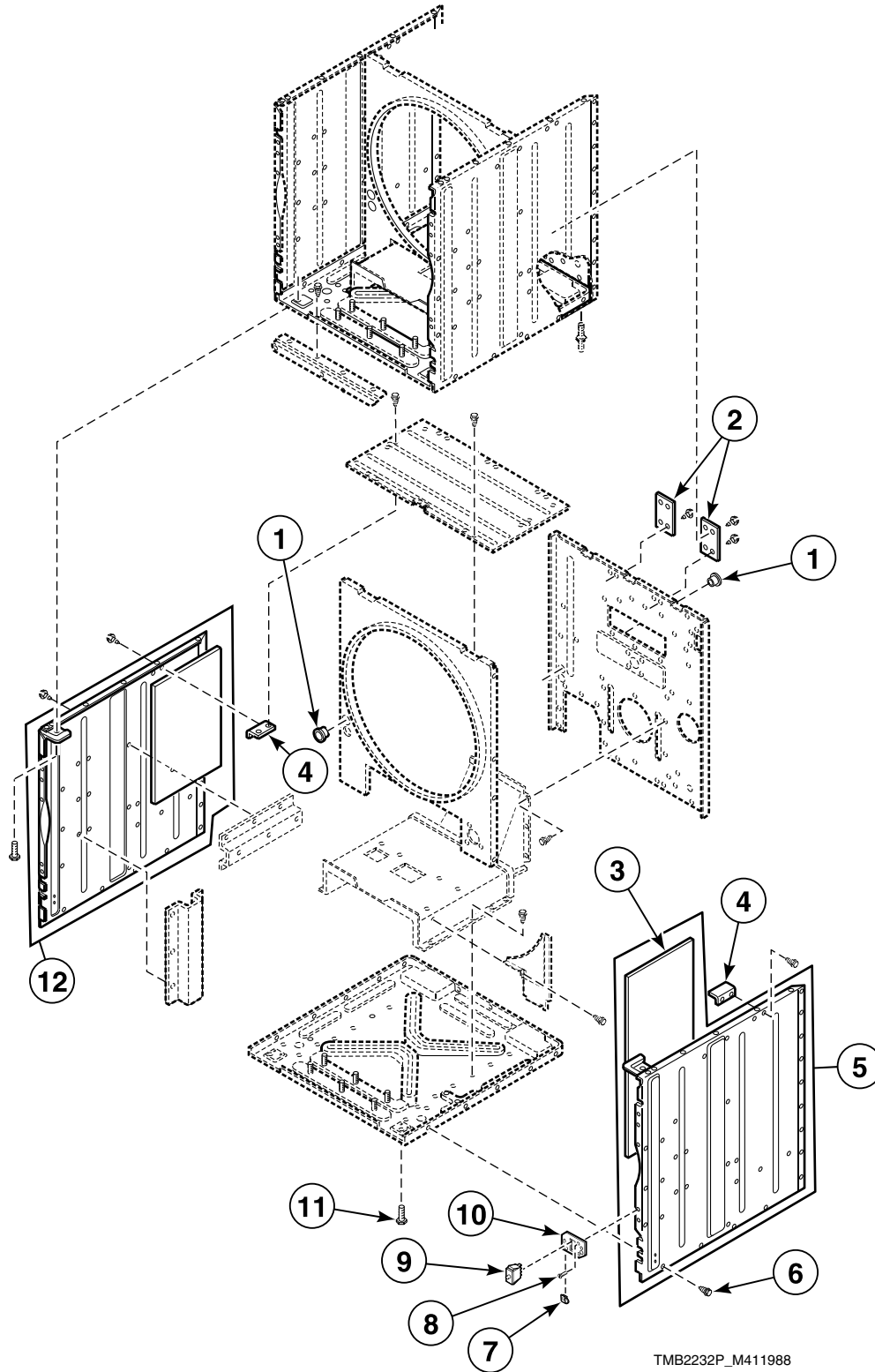
Front Panel Assembly - Models Starting Serial No. DTCK0728885ZH Through Serial No. DTCK9312664705

REF	PART NO.	DESCRIPTION	COMMENTS
	430987*	Coin Drawer Assembly	Left
	430977*	Coin Drawer Assembly	Right
	N/A	Dual Coin Drop Harness	
	430843	Safety Wire Harness Assembly	Models through Serial No. DTCK9211033713
	N/A	Safety Switch Harness	Models starting Serial No. DTCK9211033714 through DTCK9312064705 or DTCK9401011756
1	N/A	Front Panel Assembly	Upper
	431221	Front Panel Assembly	Stainless steel; Upper
2	M401223	Door Latch	Included with front panel
3	M400003	Pop Rivet	Included with front panel
4	431519P	Microprocessor Control Assembly	
5	23951	Nut	6 required
6	N/A	Coin Vault Assembly	Left
	N/A	Coin Vault Assembly	Right
7	N/A	Screw	6 required
8	430548	Coin Vault Shadow Box	
9	N/A	Front Panel Assembly	Lower
	N/A	Front Panel Assembly	Stainless steel; Lower
10	431623P	Coin Drop Kit	U.S.; .25
	430605	Coin Drop	Token; STD 118-1
	N/A	Coin Drop	Canada; .25
	N/A	Coin Drop	Japan; 100 yen
	N/A	Coin Drop	Hong Kong; \$5.00 piece
	N/A	Coin Drop	Token; STD 118-15
	431126	Coin Drop	Korea; 500 won
	431630	Coin Drop	Token; STD 118-16
11	431000*	Hinge Bracket	
	431044	Hinge Bracket	Stainless steel; included with front panel
12	M410762	Pop Rivet	Included with front panel
13	430638P	Lint Drawer Seal	Included with front panel
14	M400972	Shadow Box Clip	Included with front panel
15	431326	Microprocessor Control Shadow Box	

* Add Letter To Designate Color. B - Battina Green H - Harvest Gold K - Red L - Almond P - Turquoise V - Orange
W - White X - Electric Blue

N/A = Part no longer available

Side Panels

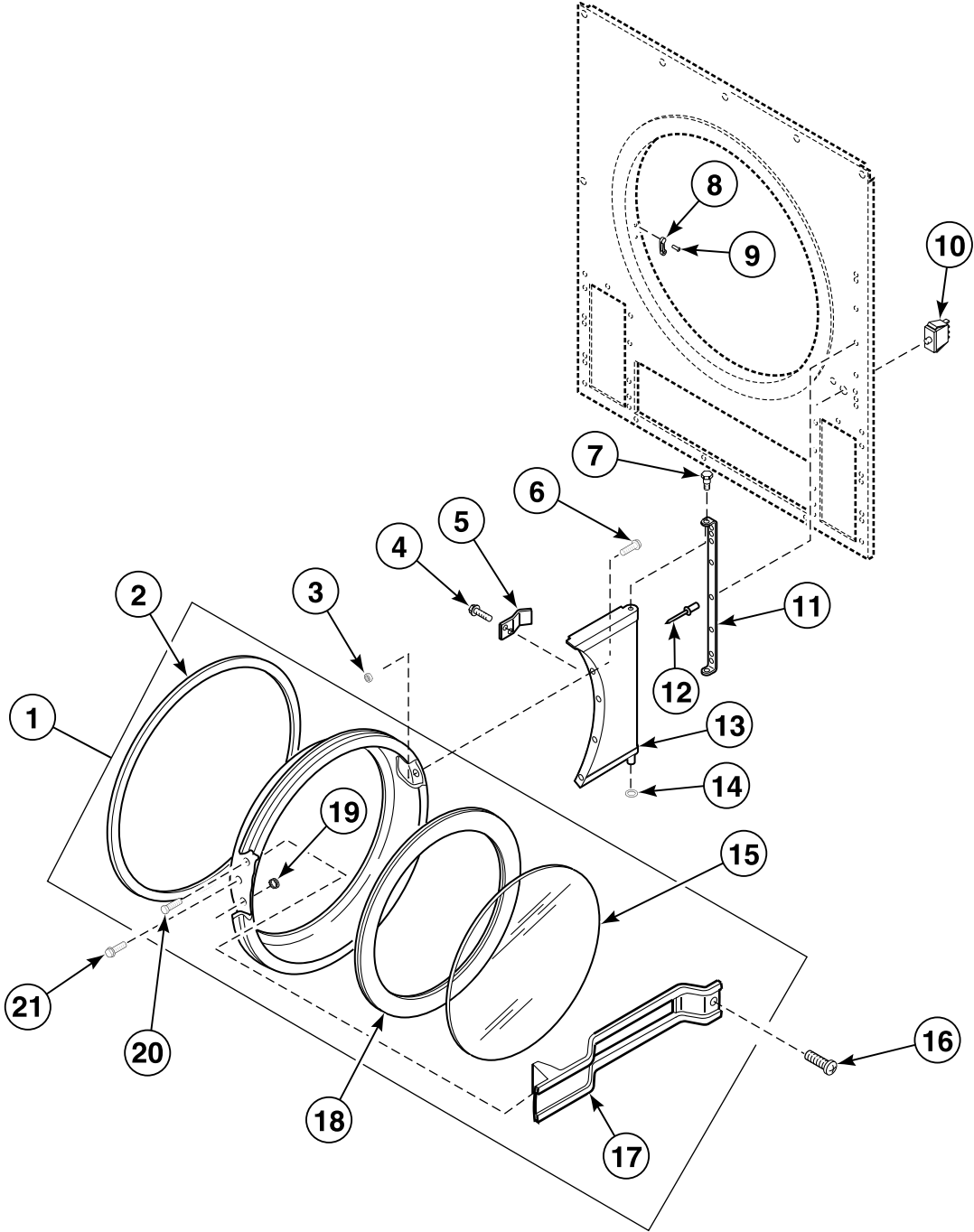


Side Panels

REF	PART NO.	DESCRIPTION	COMMENTS
1	M402542	Snap Bushing	
2	N/A	Cabinet Bracket	
3	N/A	Insulation	
4	N/A	Mounting Bracket	
5	N/A	Right Side Cabinet Assembly	
6	27196	Screw	
	N/A	Screw	
7	431045	Nut	
8	28193	Screw	
9	M406103	Door Switch	Located on front panel on models through Serial No. DTCK0728885ZH
10	431118	Door Switch Bracket	
11	M400063	Screw	Leveling leg
12	N/A	Left Side Cabinet Assembly	

N/A = Part no longer available

Loading Door



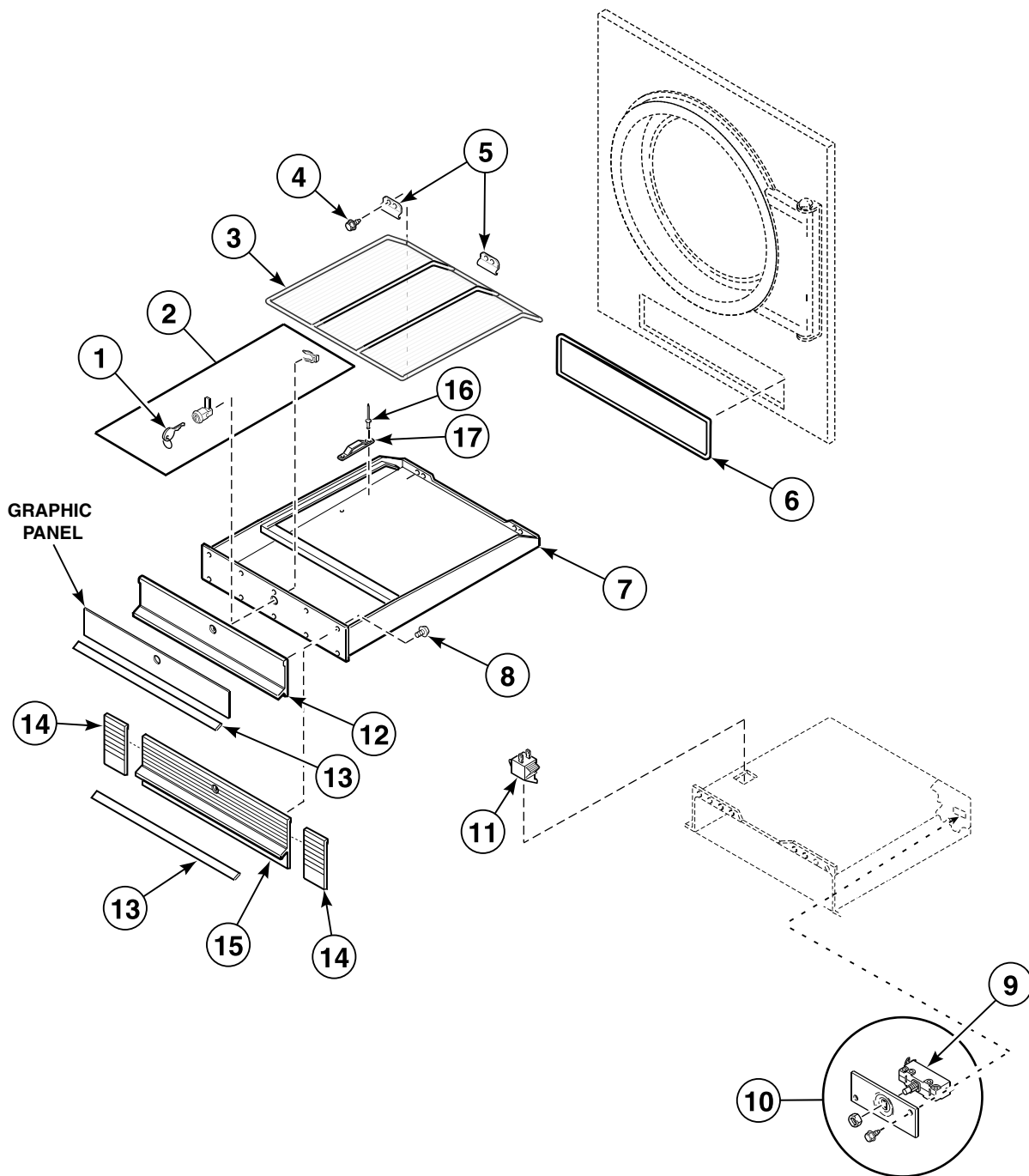
TMB2233P_M411988

Loading Door

REF	PART NO.	DESCRIPTION	COMMENTS
	430459	Door Handle	Models JCD32DG and JTD32DG; Crossbar
	70133501P	Replacement Door Handle Kit	
	M409385	Screw	Models JCD32DG and JTD32DG; For door handle
	M414215	Nut	Models JCD32DG and JTD32DG; For door handle
	Q6163	Nut	Models JCD32DG and JTD32DG; For door hinge
	03815	Washer	Models JCD32DG and JTD32DG; For door hinge
	431051	Screw	
1	430476	Door Assembly	Models JCD32DG and JTD32DG; Plain
	M410887	Door Assembly	Models JCD32DG and JTD32DG; Logo
	430475	Door Assembly	Models SCD32DG and STD32DG
2	M406129	Door Ring Gasket	
3	23951	Nut	
4	430497	Screw	
5	431089	Door Switch Tab	
6	M400044	Screw	
7	M400653	Hinge Pin	
8	M401223	Door Latch	
9	M400003	Pop Rivet	
10	M406103	Door Switch	Located on side panel on models starting Serial No. DTCK0728885ZH
11	431000*	Hinge Bracket	Painted; Included with front panel
	431044	Hinge Bracket	Stainless steel; Included with front panel
12	M410762	Pop Rivet	
13	M402714*	Door Hinge Assembly	Painted
	M400514	Hinge Assembly	Stainless steel
14	M400675	Washer	
15	M400784P	Door Glass	
	70133601P	Door Glass	Models JCD32DG and JTD32DG
16	M409385	Screw	
17	430459	Door Handle	Models JCD32DG and JTD32DG; Crossbar
	44057701	Door Handle	Models JCD32DG and JTD32DG
	430117	Door Handle	Models SCD32DG and STD32DG
18	70211901P	Door Glass Seal Kit	
19	430649	Door Plug	
20	430756	Screw	
21	M400661	Screw	

* Add Letter To Designate Color. B - Battina Green H - Harvest Gold K - Red L - Almond P - Turquoise V - Orange
W - White X - Electric Blue

Lint Drawer



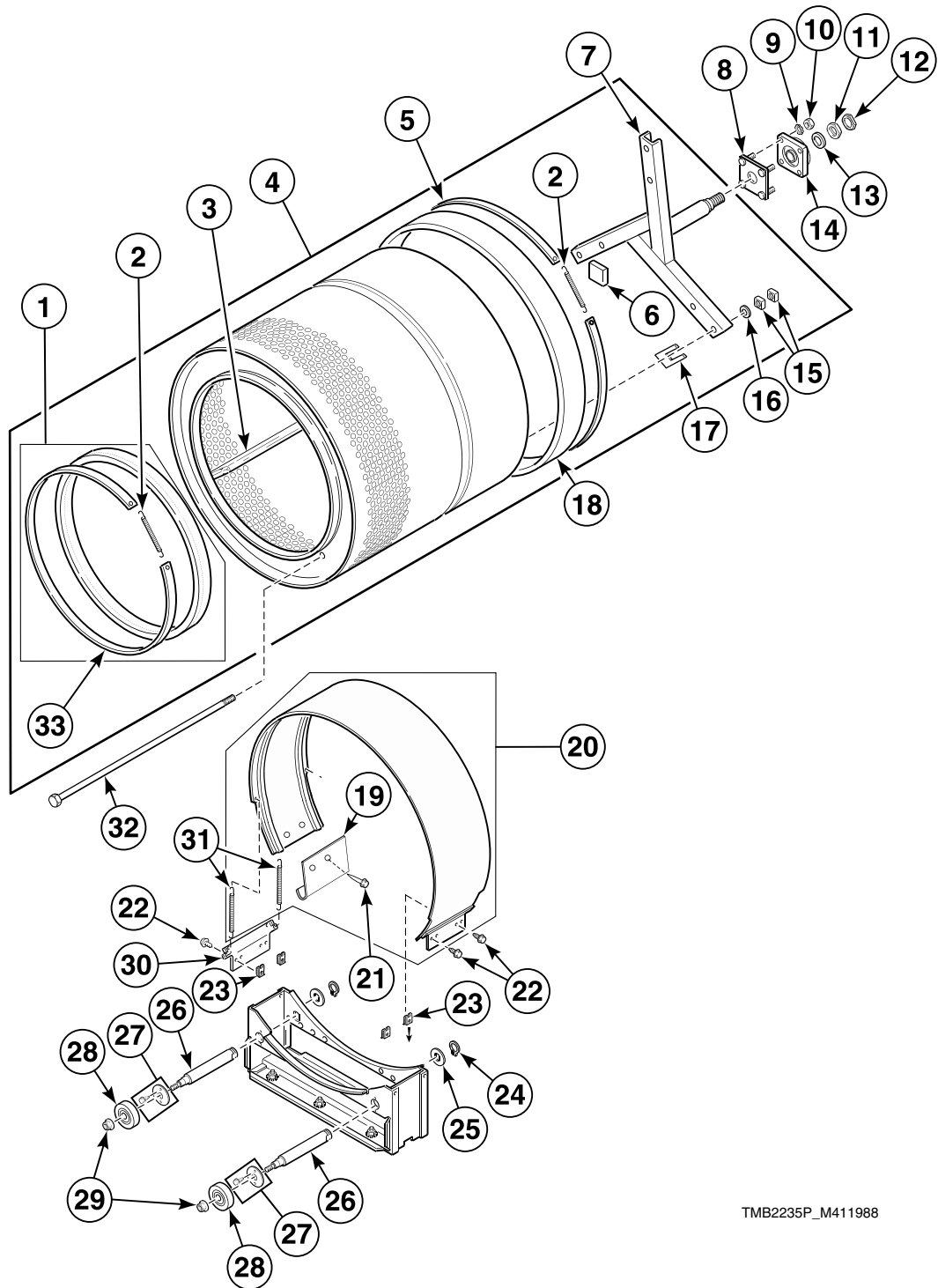
TMB2234P_M411988

Lint Drawer

REF	PART NO.	DESCRIPTION	COMMENTS
	430871	Lint Drawer Seal	
	44089301P	Lock, Key and Nut Kit	RL001; Can be used to replace items 1 and 2
	44089302P	Lock, Key and Nut Kit	RL002; Can be used to replace items 1 and 2
1	M401680	Panel Key	Models SCD32DG and STD32DG
	430664	Coin Drop Key	Models JCD32DG and JTD32DG
2	430429P	Lock and Key	
3	430482	Lint Screen Frame Assembly	Models through Serial No. DTCK9308000527
	431215	Lint Screen Frame Assembly	Models starting Serial No. DTCK9308000528
4	51780	Screw	
5	430126	Lint Screen Bracket	
6	430638P	Lint Drawer Seal	Included with front panel
7	430490	Lint Drawer Assembly	Models through Serial No. DTCK9308000527
	N/A	Lint Drawer Assembly	Models starting Serial No. DTCK9308000528
8	430757	Screw	
9	430540P	Lint Drawer Switch	
10	N/A	Lint Drawer Assembly	Models through Serial No. DTCK9308000527
11	431159	Lint Drawer Switch	Models starting Serial No. DTCK9308000528
12	430385	Front Plate	Upper; Models SCD32DG and STD32DG
	431002	Front Plate	Upper; Models JCD32DG and JTD32DG
13	430527	Lint Compartment Label	
14	431001	Kickplate Extension	Models starting Serial No. DTCK9308000528
15	N/A	Front Plate	Lower; Models through Serial No. DTCK9308000527
	431003	Front Plate	Lower; Models starting Serial No. DTCK9308000528
16	430489	Blind Rivet	
17	431325P	Motor	Models starting Serial No. DTCK9308000528

N/A = Part no longer available

Cylinder



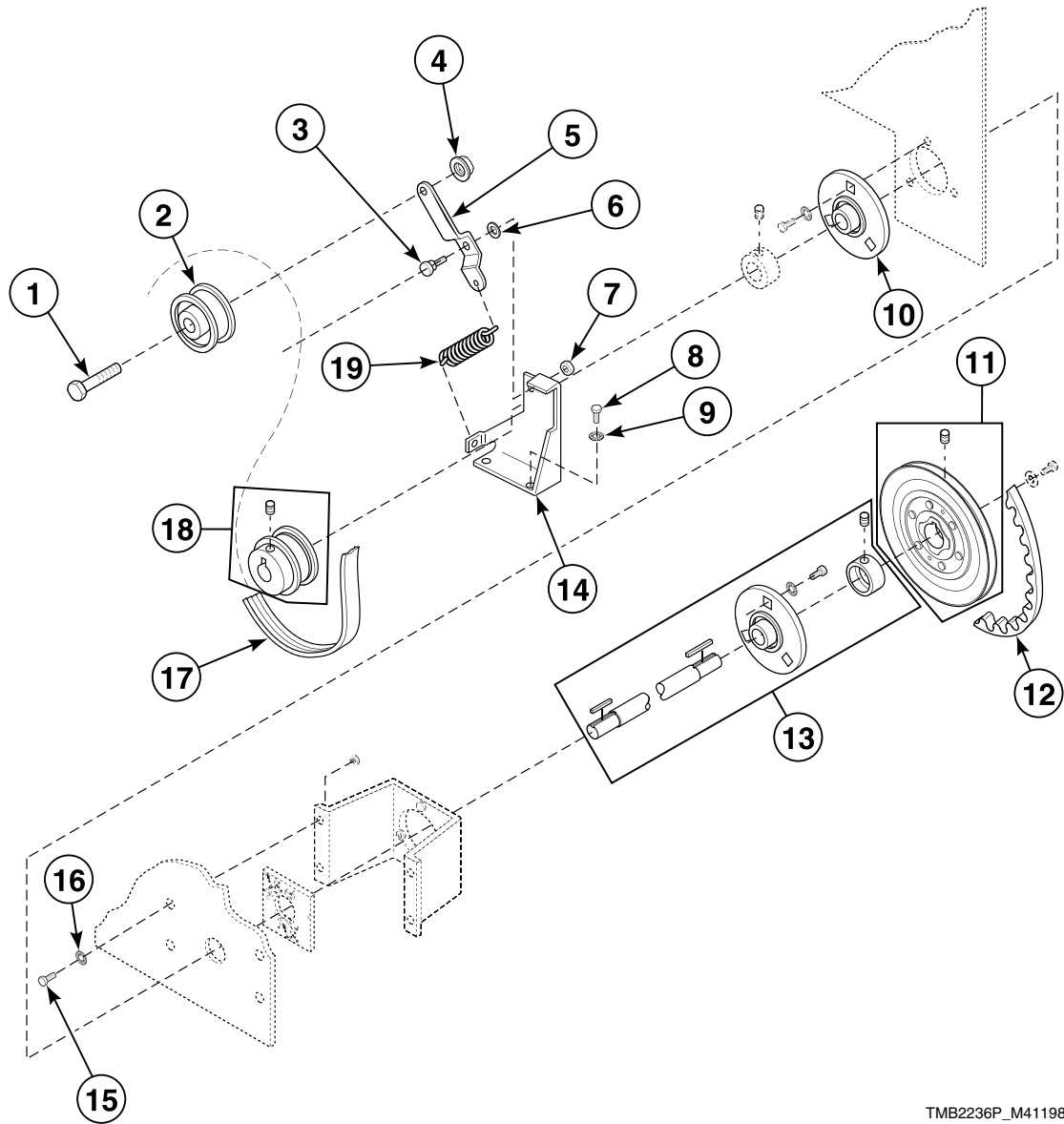
TMB2235P_M411988

Cylinder

REF	PART NO.	DESCRIPTION	COMMENTS
	430821	Adhesive	Attaches felt seal to cylinder
	263P4	Cylinder Guide Tool	
	430929P	Cylinder Assembly	Trunnion not included
	430381	Lint Drawer Lock Plate	
1	430844P	Front Seal Kit	Includes strap
2	52310	Spring	
3	430099	Rib Assembly	
4	430580P	Cylinder and Trunnion Assembly	
5	430355P	Seal Strap	
6	M402144	Felt Pad	
7	430219	Trunnion Assembly	
8	430352	Cylinder Bearing Stud Plate Assembly	
9	02834	Washer	
10	02428	Nut	
11	M400022	Nut	
12	M400034	Nut	
13	M400991	Washer	
14	430260P	Support Housing Bearing Assembly	
15	M401930	Nut	
16	M401947	Washer	
17	M401402	Spacer	
18	430105P	Seal Kit	
19	431198P	Sweep Sheet Bumper Kit	
20	430884P	Sweep Sheet Kit	
21	M400003	Pop Rivet	
22	33561	Screw	
23	F430264	Nut	4 required
24	70061	Retaining Ring	2 required
25	N/A	Washer	2 required
26	431315	Roller Shaft	2 required
27	431314	Roller Shaft Retainer	2 required
28	430019	Roller Bearing Assembly	2 required
29	430576	Nut	2 required
30	431361	Bracket	Attaches to roller bracket
31	430954	Spring	
32	N/A	Cylinder Rib Rod	
33	430845P	Front Cylinder Seal Strap	

N/A = Part no longer available

Drive Shaft - Models Through Serial No. DTCK0696605YF



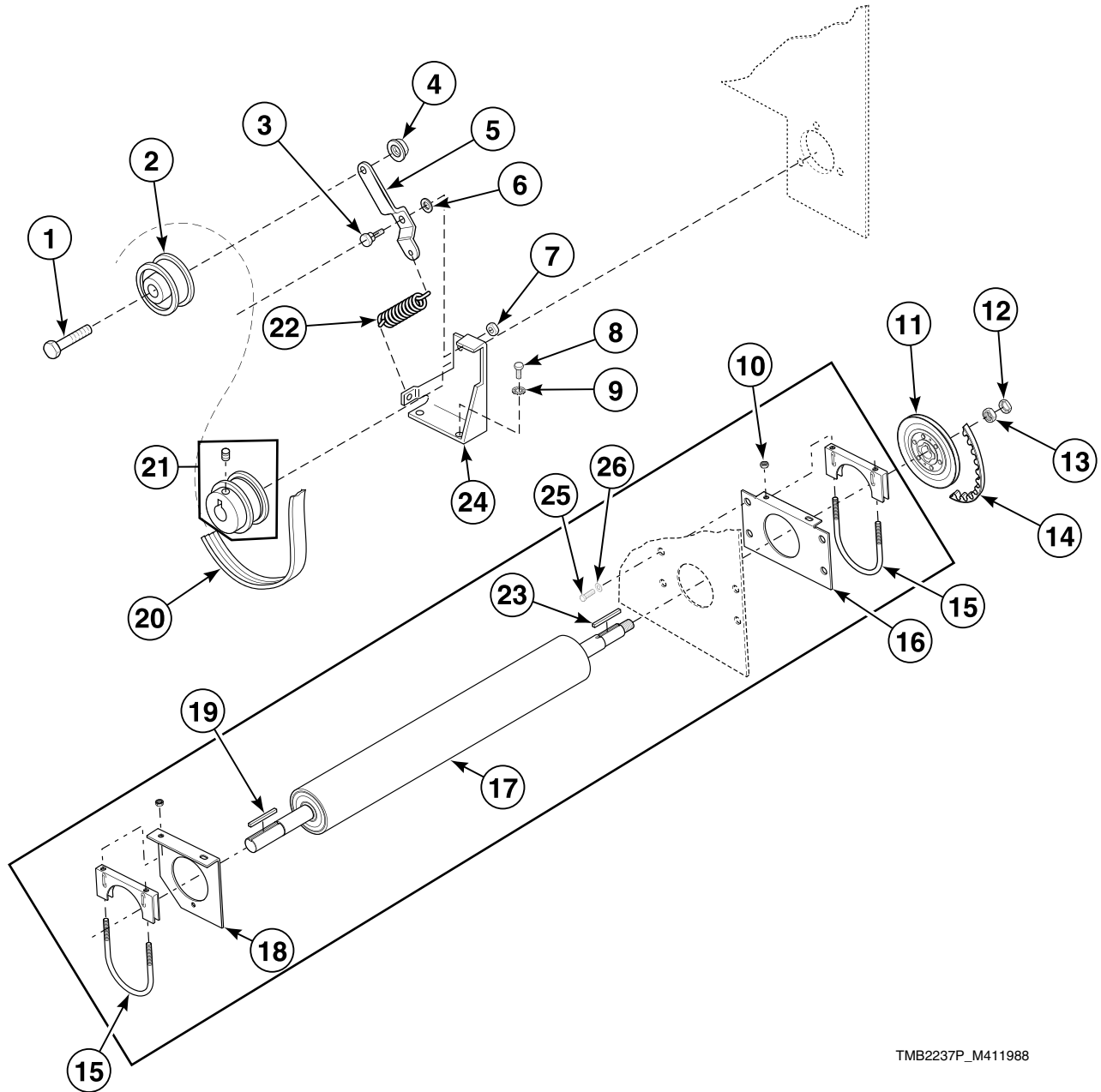
TMB2236P_M411988

Drive Shaft - Models Through Serial No. DTCK0696605YF

REF	PART NO.	DESCRIPTION	COMMENTS
	27220	Screw	
	26509	Washer	
1	430648	Screw	
2	430619	Drum Idler Wheel Assembly	
3	431539	Screw	
4	56156	Nut	
5	430263	Cylinder Idler Arm	
6	430782	Washer	
7	52566	Nut	
8	02422	Screw	
9	M400017	Washer	
10	N/A	Flange Bearing	Will need to order the following items from the <i>Drive Shaft</i> section: 10, 15-19, 23, 25 and 26
11	430800P	Sheave	Steel; With set screw
12	430054	Belt	
13	N/A	Flange Bearing and Drive Shaft	Will need to order the following items from the <i>Drive Shaft</i> section: 10, 15-19, 23, 25 and 26
14	430193	Cylinder Idler Bracket	
15	M400057	Screw	
16	02834	Washer	
17	430104P	Belt	
18	430050P	Pulley Kit	
19	N/A	Drum Idler Spring	

N/A = Part no longer available

Drive Shaft - Models Starting Serial No. DTCK0696605YF



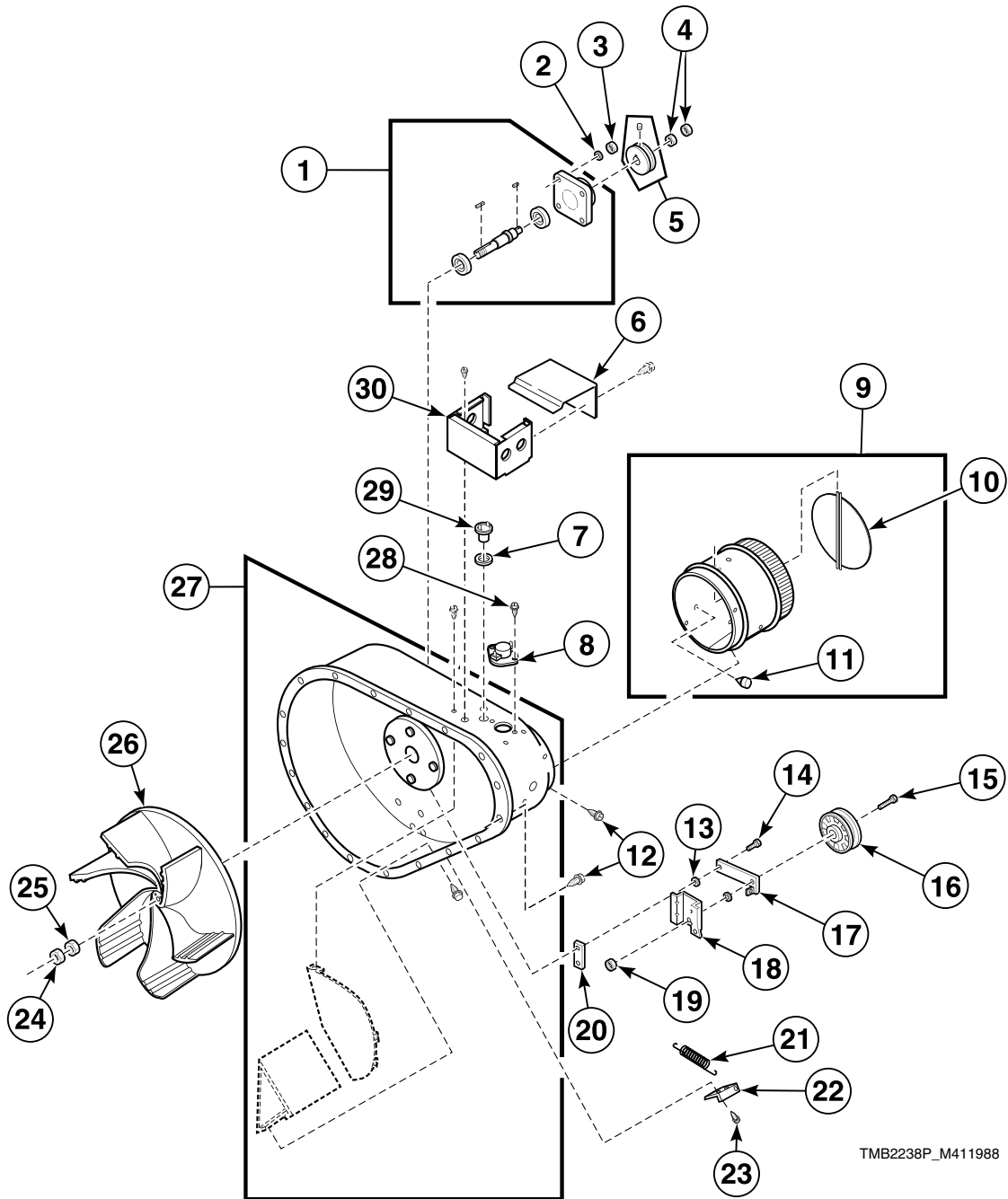
TMB2237P_M411988

Drive Shaft - Models Starting Serial No. DTCK0696605YF

REF	PART NO.	DESCRIPTION	COMMENTS
1	430648	Screw	
2	430619	Drum Idler Wheel Assembly	
3	431539	Screw	
4	56156	Nut	
5	430263	Cylinder Idler Arm	
6	430782	Washer	
7	52566	Nut	
8	02422	Screw	
9	M400017	Washer	
10	80116	Nut	
11	430800P	Sheave	Steel; With set screw
12	M400034	Nut	
13	M400022	Nut	
14	430054	Belt	
15	430862P	U-Bolt Clamp Kit	
16	430857	Partition Reinforcing Plate	Back
17	430867	Jackshaft Assembly	
18	430856	Partition Reinforcing Plate	Front
19	M401327	Key	
20	430104P	Belt	
21	430050P	Pulley Kit	
22	N/A	Drum Idler Spring	
23	M400993	Key	
24	430193	Cylinder Idler Bracket	
25	M400057	Screw	
26	02834	Washer	

N/A = Part no longer available

Blower Housing and Fan



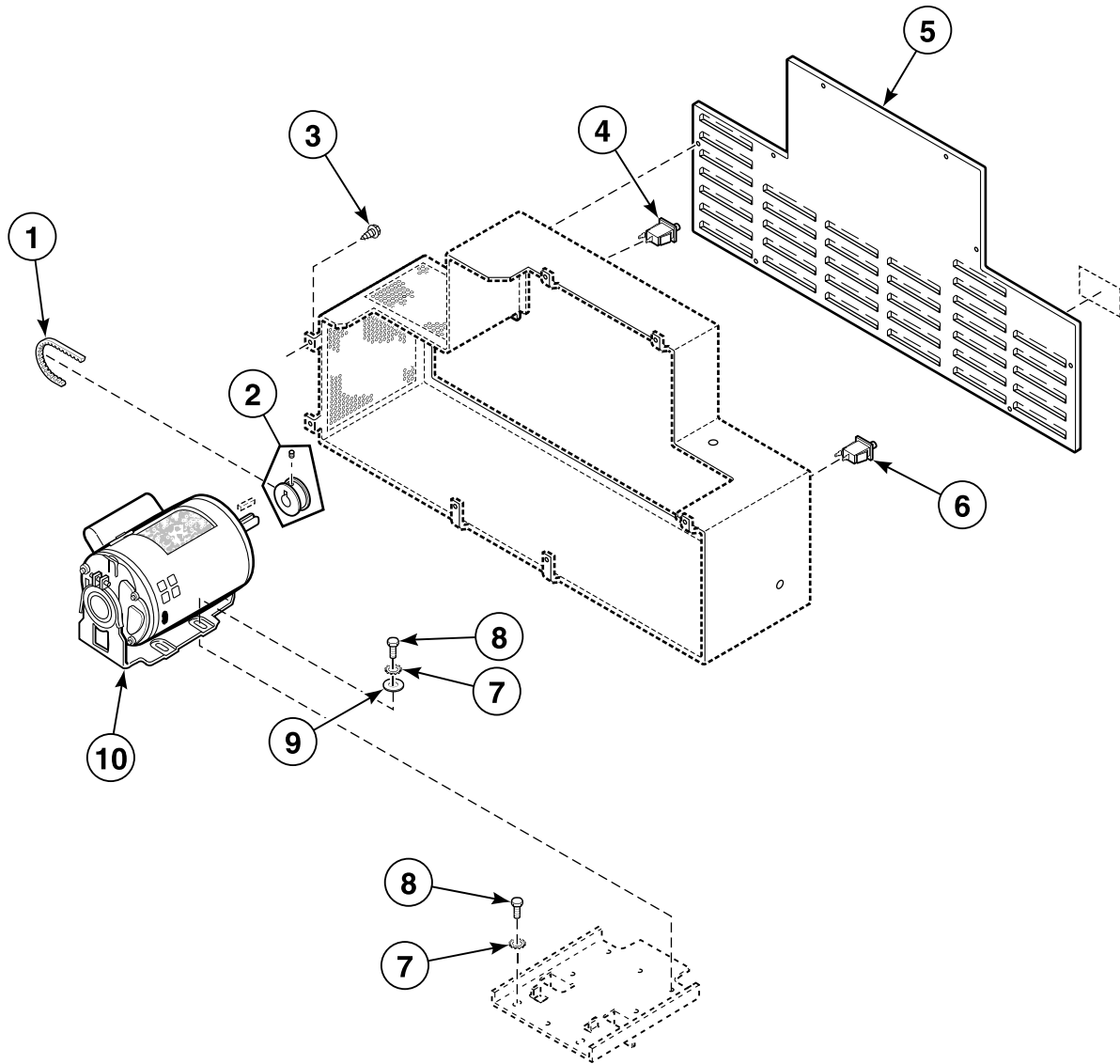
TMB2238P_M411988

Blower Housing and Fan

REF	PART NO.	DESCRIPTION	COMMENTS
	430757	Screw	4 required; Attaches bracket to blower housing
	N/A	Cabinet High Limit Harness	
	N/A	Sensor Wire Harness Assembly	Models through Serial No. DTCK9312064705; Lower
	N/A	Upper Sensor Harness	Models through Serial No. DTCK9312064705 or DTCK9401011756
1	430853	Fan Shaft Assembly	
2	02834	Washer	
3	02428	Nut	
4	430875	Nut	
5	N/A	Sheave	
6	N/A	Top and Front Cover	
7	29443	Washer	
8	M406412	Limit Thermostat	
9	430536P	Thimble and Vane Assembly	
10	430534	Vane Assembly	2 required
11	M400795	Bumper	
12	M405188	Screw	
13	430782	Washer	
14	431539	Screw	
15	430648	Screw	
16	430618	Drum Idler Wheel Assembly	
17	430250	Drive Idler Arm	
18	430442	Idler Pulley Bracket	
19	56156	Nut	
20	N/A	Spacer	
21	N/A	Drive Idler Spring	
22	N/A	Idler Spring Tab	
23	27196	Screw	
24	M400034	Nut	
25	M400022	Nut	
26	M410088P	Fan	
27	N/A	Blower Housing Assembly	
28	23962	Screw	
29	M409114	Sensor	
30	430338	Side and Back Cover	

N/A = Part no longer available

Motor and Belt Guard



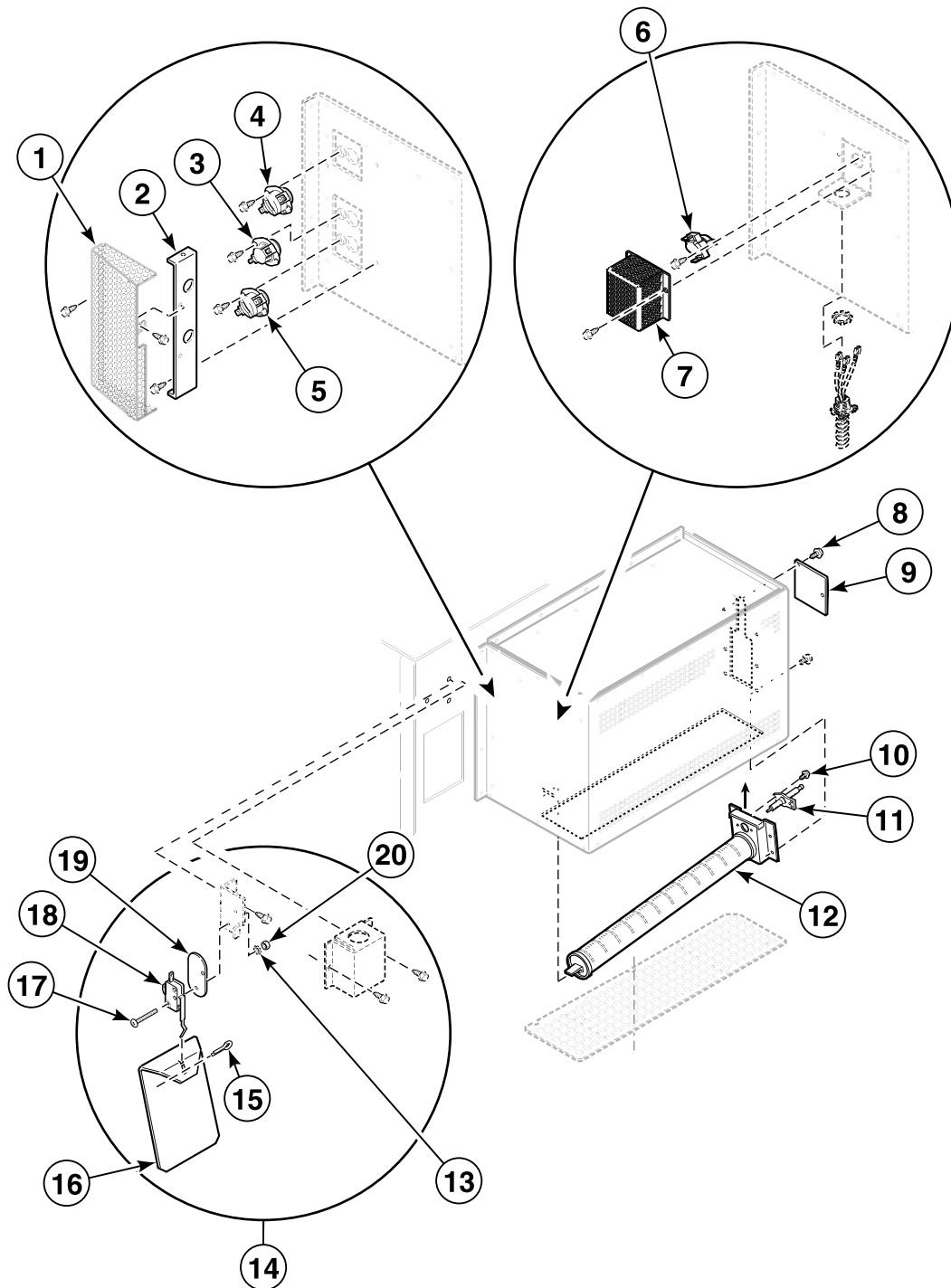
TMB2239P_M411988

Motor and Belt Guard

REF	PART NO.	DESCRIPTION	COMMENTS
	N/A	Belt Warning Sticker	
	M411815	Vent and Thimble Caution Label	
	M410302	Motor Capacitor	
	N/A	Belt Guard Switch Harness	
	N/A	Motor Wire Harness Assembly	120 Volt/50 or 60 Hertz; 208-240 Volt/60 Hertz; Models through Serial No. DTCK9312064705 or DTCK9401011756
	N/A	Motor Wire Harness Assembly	240 Volt/50 Hertz; Models through Serial No. DTCK9211033713
	431257	Motor Harness Assembly	240 Volt/50 Hertz; Models starting Serial No. DTCK9211033714 through DTCK9312064705 or DTCK9401011756
1	430054	Belt	
2	N/A	Sheave	60 Hertz; Includes setscrew
	N/A	Sheave	50 Hertz; Includes setscrew
3	430497	Screw	
4	431159	Lint Drawer Switch	Models starting Serial No. DTCK9308000527
5	430525	Belt Guard	
6	430542	Belt Guard Switch	Models through Serial No. DTCK9308000528
7	02834	Washer	
8	M400057	Screw	
9	M400080	Washer	
10	431325P	Motor	60 Hertz
	430426	Motor	50 Hertz

N/A = Part no longer available

Thermostat and Burner



TMB2240P_M411988

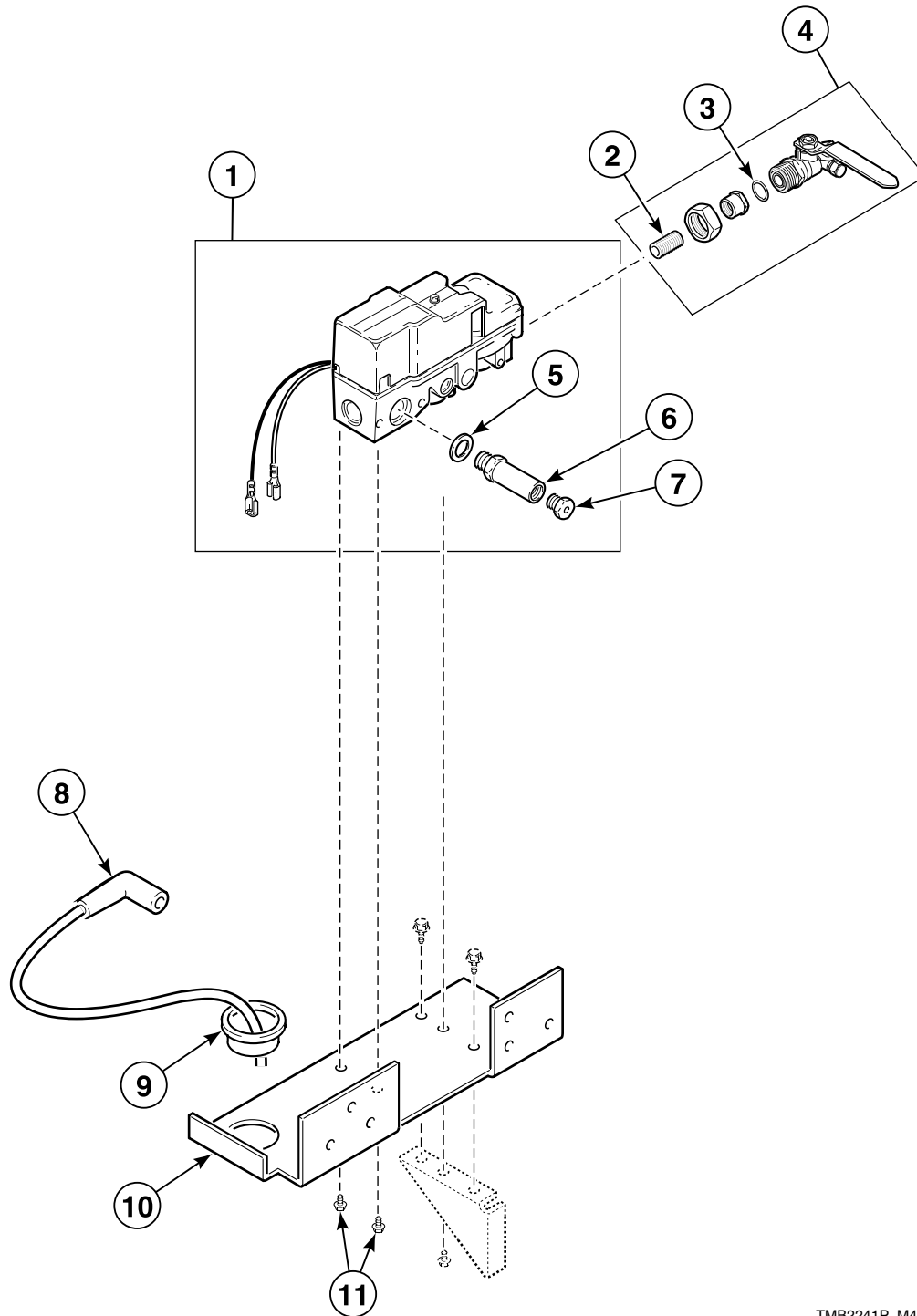
Thermostat and Burner

REF	PART NO.	DESCRIPTION	COMMENTS
	N/A	Airflow Switch Harness	
	N/A	Stove High Limit Harness	Models through Serial No. DTCK9211033713
	N/A	Stove Wire Harness Assembly	Models starting Serial No. DTCK9211033714 through DTCK9312064705 or DTCK9401011756
1	N/A	Top Thermostat Cover	Models through Serial No. DTCK9211033714
2	430549	Front Thermostat Cover	Models through Serial No. DTCK9211033714
3	430729	Step Down Thermostat	Models through Serial No. DTCK9211033714
4	430539P	Reset Thermostat	Models through Serial No. DTCK9211033714
5	430387P	Close Limit Thermostat	Models through Serial No. DTCK9211033714
6	431177	Stove Limit Thermostat	Models starting Serial No. DTCK9211033714
7	M414477	Thermostat Cover	Models starting Serial No. DTCK9211033714
8	430497	Screw	
	431287	Screw	
9	430375	Burner Plate Cover	
10	56693	Screw	
11	430317P	Spark Igniter	
12	430506	Burner Assembly	
13	51345	Washer	
14	430369P	Airflow Switch Kit	Includes items 15-20
15	02470	Cotter Pin	
16	430372	Airflow Switch Vane	
17	M401938	Screw	
18	431431	Airflow Switch	
19	H96418728	Mounting Insulation	
20	70072901	Nut	

N/A = Part no longer available

Gas Valve - Single Input

Models Starting Serial No. DTCK9211033714



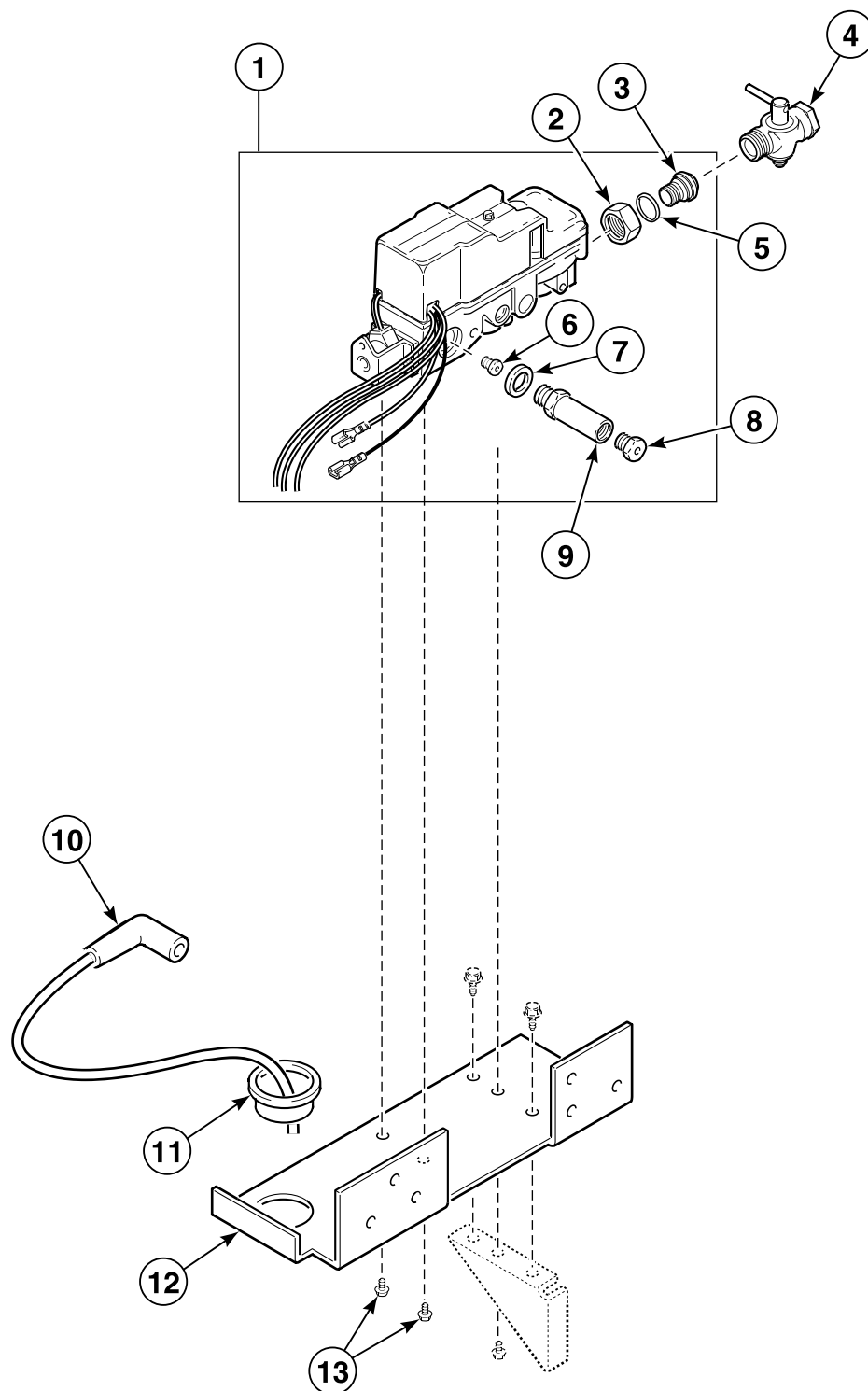
TMB2241P_M411988

Gas Valve - Single Input

REF	PART NO.	DESCRIPTION	COMMENTS
	563P3	Conversion Kit	Natural Gas (N.G.) to Liquid Petroleum Gas (L.P.)
	550P3	Conversion Kit	L.P. to N.G.
1	867P3	N.G. Valve Replacement Kit	N.G.; 60 Hertz
	N/A	Gas Valve Assembly	N.G.; 50 Hertz
	868P3	L.P. Valve Replacement Kit	L.P.; 60 Hertz
	N/A	Gas Valve Assembly	L.P.; 50 Hertz
2	431182P	Shut-Off Valve Kit	Models starting Serial No. DTCK930702934
3	431182A	O-Ring	
4	431182P	Shut-Off Valve Kit	Models starting Serial No. DTCK930702934
5	N/A	Gas Valve Gasket	
6	N/A	Gas Valve Spud	
7	431191	Burner Orifice	N.G.; 0-2,000 feet; Drill no. 24
	431192	Burner Orifice	N.G.; 2,001-4,000 feet; Drill no. 26
	430938	Burner Orifice	N.G.; 4,001-6,000 feet; Drill no. 27
	N/A	Burner Orifice	N.G.; 6,001-8,000 feet; Drill no. 28
	N/A	Burner Orifice	N.G.; 8,001-10,000 feet; Drill no. 29
	430938	Burner Orifice	Liquid Natural Gas (L.N.G.); 0-2,000 feet; Drill no. 27
	N/A	Burner Orifice	Town Gas (L.P.); 0-2,000 feet; Drill no. V
	431010	Burner Orifice	L.P.; 0-2,000 feet; 3/32 inch
	N/A	Burner Orifice	L.P.; 2,001-6,000 feet; Drill no. 43
	N/A	Burner Orifice	L.P.; 6,001-8,000 feet; Drill no. 44
	N/A	Burner Orifice	L.P.; 8,001-10,000 feet; Drill no. 46
8	430257	High Voltage Lead	
9	M402542	Snap Bushing	
10	N/A	Gas Valve Bracket	
11	23962	Screw	

N/A = Part no longer available

Gas Valve - Dual Input Models Starting Serial No. DTCK0714594ZA Through Serial No. DTCK9211033713



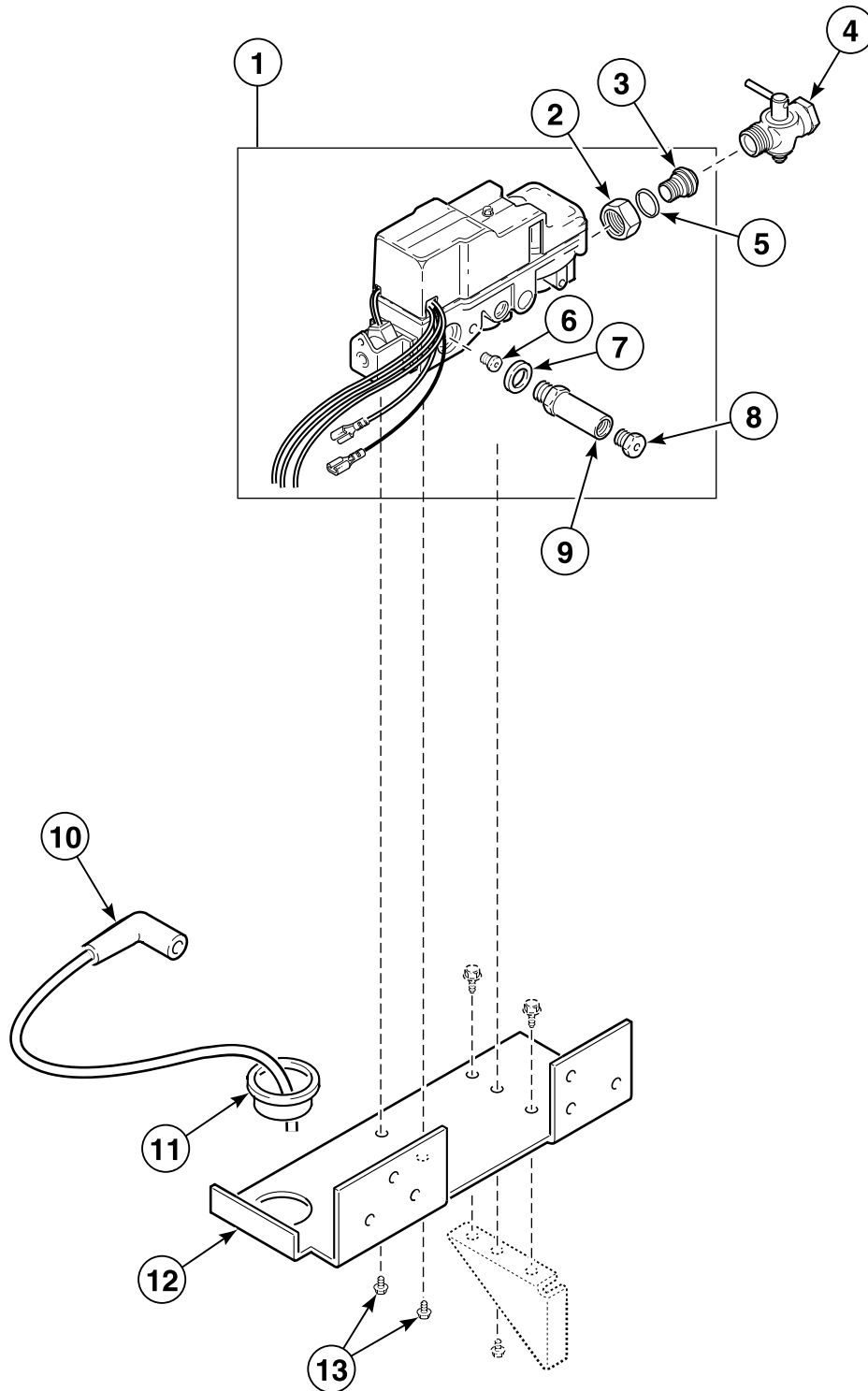
TMB2242P_M411988

Gas Valve - Dual Input Models Starting Serial No. DTCK0714594ZA Through Serial No. DTCK9211033713

REF	PART NO.	DESCRIPTION	COMMENTS
	514P3	Conversion Kit	Natural Gas (N.G.) to Liquid Petroleum Gas (L.P.)
	N/A	Conversion Kit	L.P. to N.G.
1	867P3	N.G. Valve Replacement Kit	N.G.; 60 Hertz
	N/A	Gas Valve Assembly	N.G.; 50 Hertz
	868P3	L.P. Valve Replacement Kit	L.P.; 60 Hertz
	N/A	Gas Valve Assembly	L.P.; 50 Hertz
2	M401549	Nut	Union
3	N/A	Tailpiece	3/8 male NPT
4	431182P	Shut-Off Valve Kit	
5	M400605	Anti-Torque Ring	
6	N/A	Burner Orifice	N.G.; 0-2,000 feet; Drill no. 30
	430654	Burner Orifice	N.G.; 2,001-4,000 feet; 1/8 inch
	N/A	Burner Orifice	N.G.; 4,001-6,000 feet; Drill no. 31
	N/A	Burner Orifice	N.G.; 6,001-8,000 feet; Drill no. 32
	N/A	Burner Orifice	N.G.; 8,001-10,000 feet; Drill no. 34
	N/A	Burner Orifice	Liquid Natural Gas (L.N.G.); 0-2,000 feet
	430893	Burner Orifice	L.P.; 0-2,000 feet; Drill no. 45
	430655	Burner Orifice	L.P.; 2,001-4,000 feet; Drill no. 47
	N/A	Burner Orifice	L.P.; 4,001-8,000 feet; Drill no. 48
	N/A	Burner Orifice	L.P.; 8,001-10,000 feet; Drill no. 49
7	N/A	Gas Valve Gasket	
8	430935	Burner Orifice	N.G.; 2,001-4,000 feet; Drill no. 21
	N/A	Burner Orifice	N.G.; 4,001-6,000 feet; Drill no. 22
	N/A	Burner Orifice	N.G.; 6,001-8,000 feet; Drill no. 25
	430938	Burner Orifice	N.G.; 8,001-10,000 feet; Drill no. 27
	N/A	Burner Orifice	L.N.G.; 0-2,000 feet; Drill no. 22
	N/A	Burner Orifice	Town Gas; L.P.; 0-2,000 feet; Drill no. V
	431010	Burner Orifice	L.P.; 0-2,000 feet; 3/32 inch
	N/A	Burner Orifice	L.P.; 2,001-6,000 feet; Drill no. 43
	N/A	Burner Orifice	L.P.; 6,001-8,000 feet; Drill no. 44
	N/A	Burner Orifice	L.P.; 8,001-10,000 feet; Drill no. 45
	N/A	Burner Orifice	Town Gas; 0-2,000 feet; Drill no. A
9	N/A	Gas Valve Spud	
10	430257	High Voltage Lead	
11	M402542	Snap Bushing	
12	N/A	Gas Valve Bracket	
13	23962	Screw	

N/A = Part no longer available

Gas Valve - Dual Input Models Through Serial No. DTCK0714594ZA



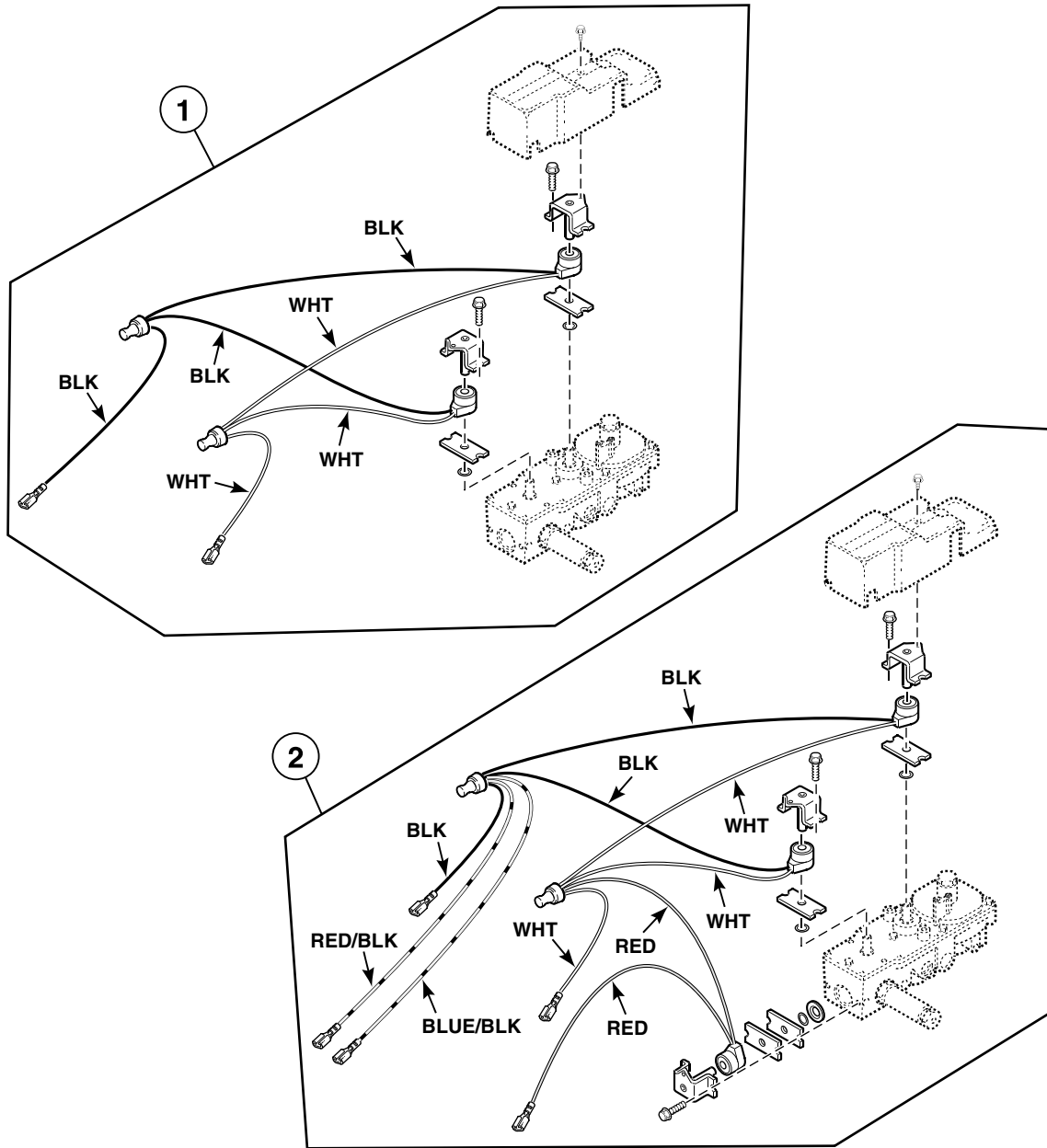
TMB2242P_M411988

Gas Valve - Dual Input Models Through Serial No. DTCK0714594ZA

REF	PART NO.	DESCRIPTION	COMMENTS
	474P3	Conversion Kit	Natural Gas (N.G.) to Liquid Petroleum Gas (L.P.)
	N/A	Conversion Kit	L.P. to N.G.
1	867P3	N.G. Valve Replacement Kit	N.G.; 60 Hertz
	430657	Gas Valve Assembly	N.G.; 50 Hertz
	868P3	L.P. Valve Replacement Kit	L.P.; 60 Hertz
	430658	Gas Valve Assembly	L.P.; 50 Hertz
2	M401549	Nut	Union
3	N/A	Tailpiece	3/8 male NPT
4	431182P	Shut-Off Valve Kit	
5	M400605	Anti-Torque Ring	
6	430654	Burner Orifice	N.G.; 0-2,000 feet; 1/8 inch
	N/A	Burner Orifice	N.G.; 2,001-4,000 feet; Drill no. 31
	N/A	Burner Orifice	N.G.; 4,001-6,000 feet; Drill no. 32
	N/A	Burner Orifice	N.G.; 6,001-8,000 feet; Drill no. 33
	N/A	Burner Orifice	N.G.; 8,001-10,000 feet; Drill no. 34
	430655	Burner Orifice	L.P.; 0-2,000 feet; Drill no. 47
	N/A	Burner Orifice	L.P.; 2,001-4,000 feet; Drill no. 48
	N/A	Burner Orifice	L.P.; 4,001-6,000 feet; Drill no. 49
	N/A	Burner Orifice	L.P.; 6,001-8,000 feet; Drill no. 50
	N/A	Burner Orifice	L.P.; 8,001-10,000 feet; Drill no. 51
7	N/A	Gas Valve Spud	
8	430773	Burner Orifice	N.G.; 0-2,000 feet; Drill no. 13
	N/A	Burner Orifice	N.G.; 2,001-4,000 feet; Drill no. 16
	N/A	Burner Orifice	N.G.; 4,001-6,000 feet; Drill no. 17
	430933	Burner Orifice	N.G.; 6,001-8,000 feet; Drill no. 18
	N/A	Burner Orifice	N.G.; 8,001-10,000 feet; Drill no. 20
	430736	Burner Orifice	L.P.; 0-2,000 feet; Drill no. 37
	N/A	Burner Orifice	L.P.; 2,001-4,000 feet; Drill no. 39
	N/A	Burner Orifice	L.P.; 4,001-6,000 feet; Drill no. 41
	N/A	Burner Orifice	L.P.; 6,001-8,000 feet; Drill no. 42
	N/A	Burner Orifice	L.P.; 8,001-10,000 feet; Drill no. 43
9	N/A	Gas Valve Gasket	
10	430257	High Voltage Lead	
11	M402542	Snap Bushing	
12	N/A	Gas Valve Bracket	
13	23962	Screw	

N/A = Part no longer available

Gas Valve Coils



TMB2243P_M411988

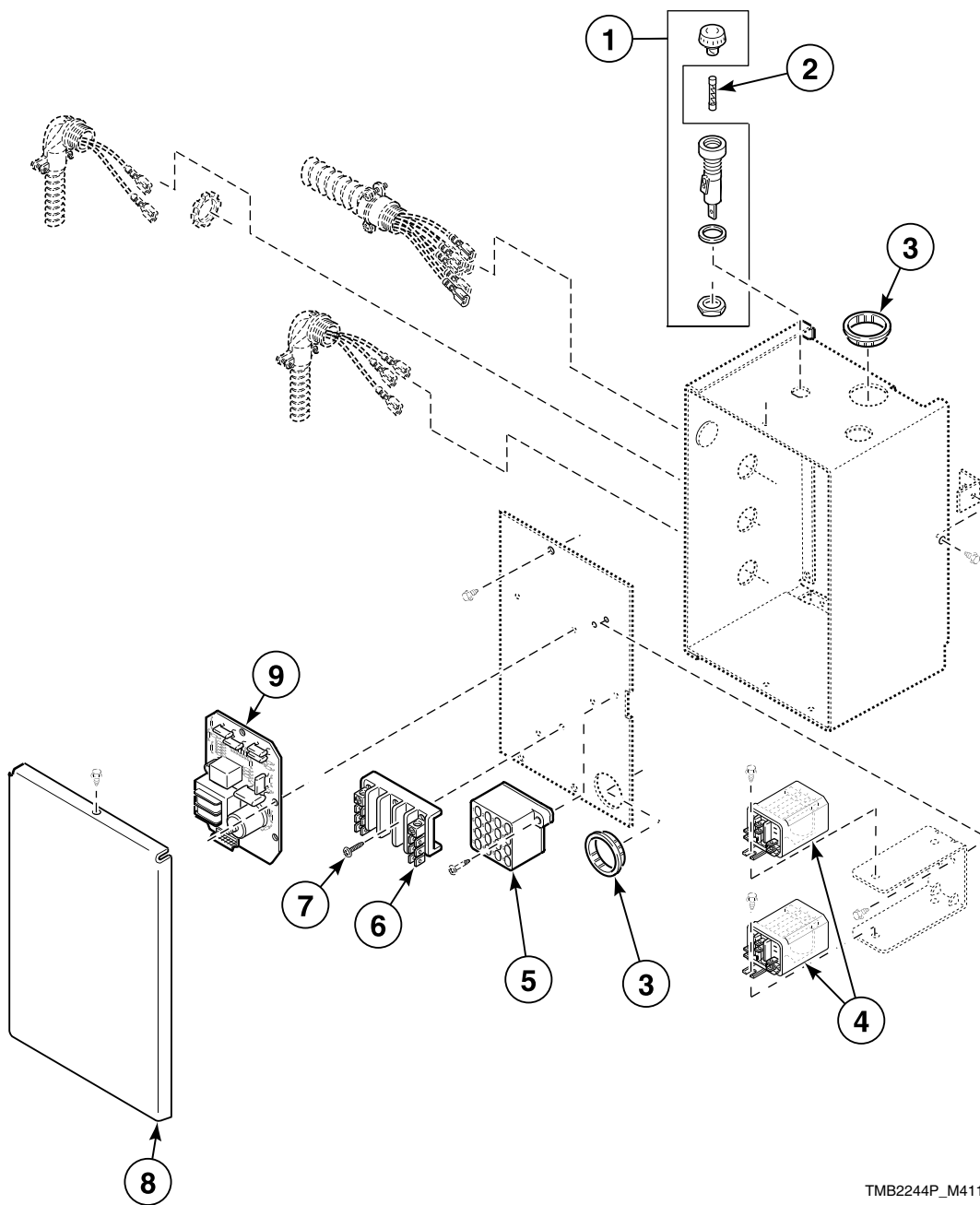
Gas Valve Coils

REF	PART NO.	DESCRIPTION	COMMENTS
1	M409253P	Instant Electronic Ignition Valve Coil Kit	Model starting Serial No. DTCK9211033714
2	430690	Coil and Harness Kit	60 Hertz; Models through Serial No. DTCK9211033715
	N/A	Coil and Harness Kit	50 Hertz; Models through Serial No. DTCK9211033715

N/A = Part no longer available

Junction Box - 120 or 208-240 Volt/60 Hertz

Models Through Serial No. DTCK9211033714



TMB2244P_M411988

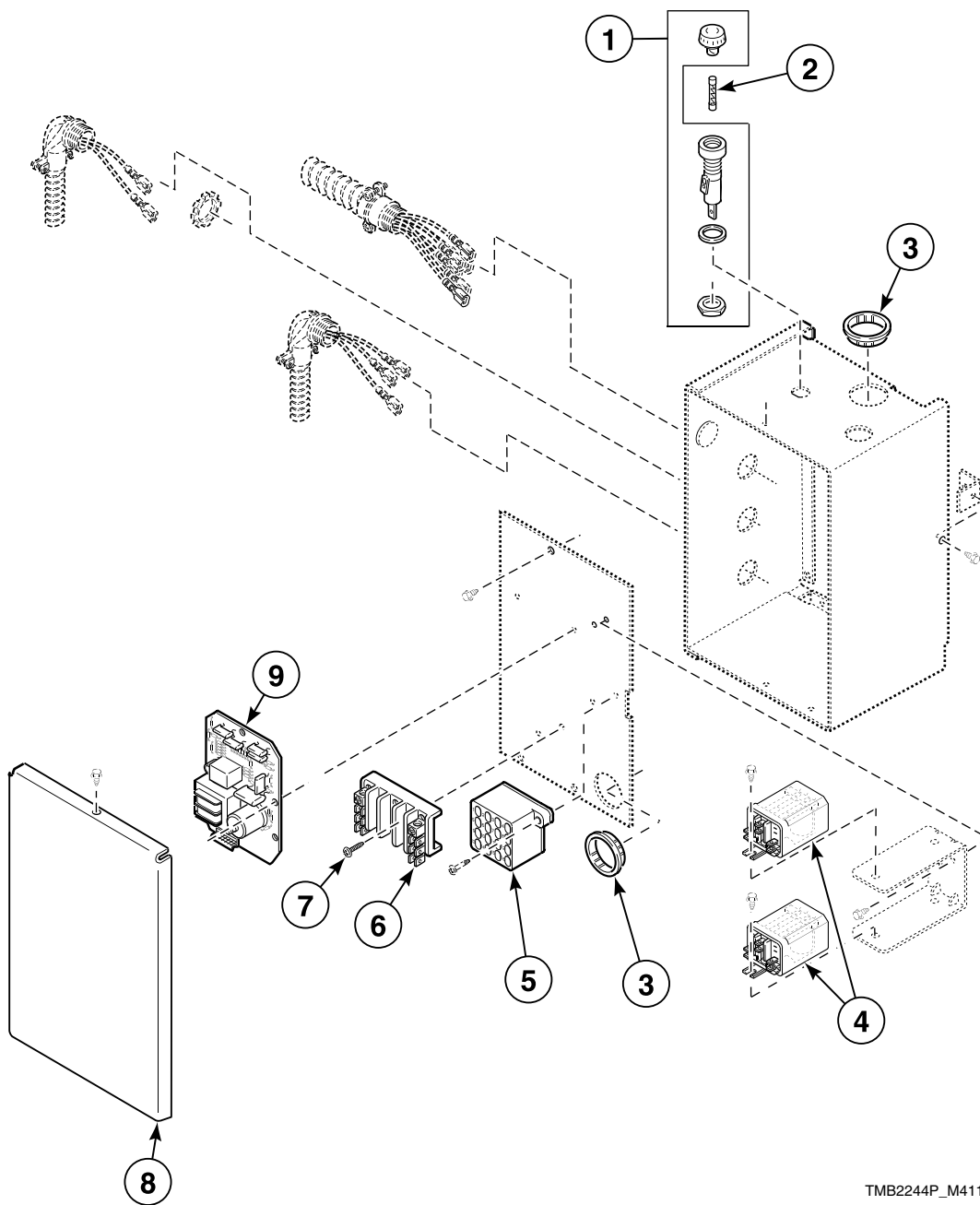
Junction Box - 120 or 208-240 Volt/60 Hertz

REF	PART NO.	DESCRIPTION	COMMENTS
	430223	Instant Electronic Ignition Wire Harness Assembly	Models through Serial No. DTCK9312064705 or DTCK9401011756
	N/A	Main Harness	120 Volt/60 Hertz; Lower
	431053P	Main Wire Harness Assembly	208-240 Volt/60 Hertz; Lower
	N/A	Wire Harness Assembly	120 Volt/50 or 60 Hertz; Upper; Models through Serial No. DTCK0728884ZH
	430966P	Main Harness Assembly	120 Volt/50 or 60 Hertz; Upper; Models starting Serial No. DTCK0728885ZH through DTCK9211033713
	N/A	Main Wire Harness Assembly	
1	91024P	Fuse Receptacle	
2	M409997	Fuse	6 Amp; 250 Volt
3	M402542	Snap Bushing	
4	N/A	Latch Relay	
5	430639	Jumper Terminal Block	
6	430641	Terminal Block	120 Volt
	430642	Terminal Block	240 Volt
7	51778	Screw	
8	430554	Junction Box Cover	
9	M406789P	Ignition Control	

N/A = Part no longer available

Junction Box - 240 Volt/50 Hertz

Models Through Serial No. DTCK9211035714



TMB2244P_M411988

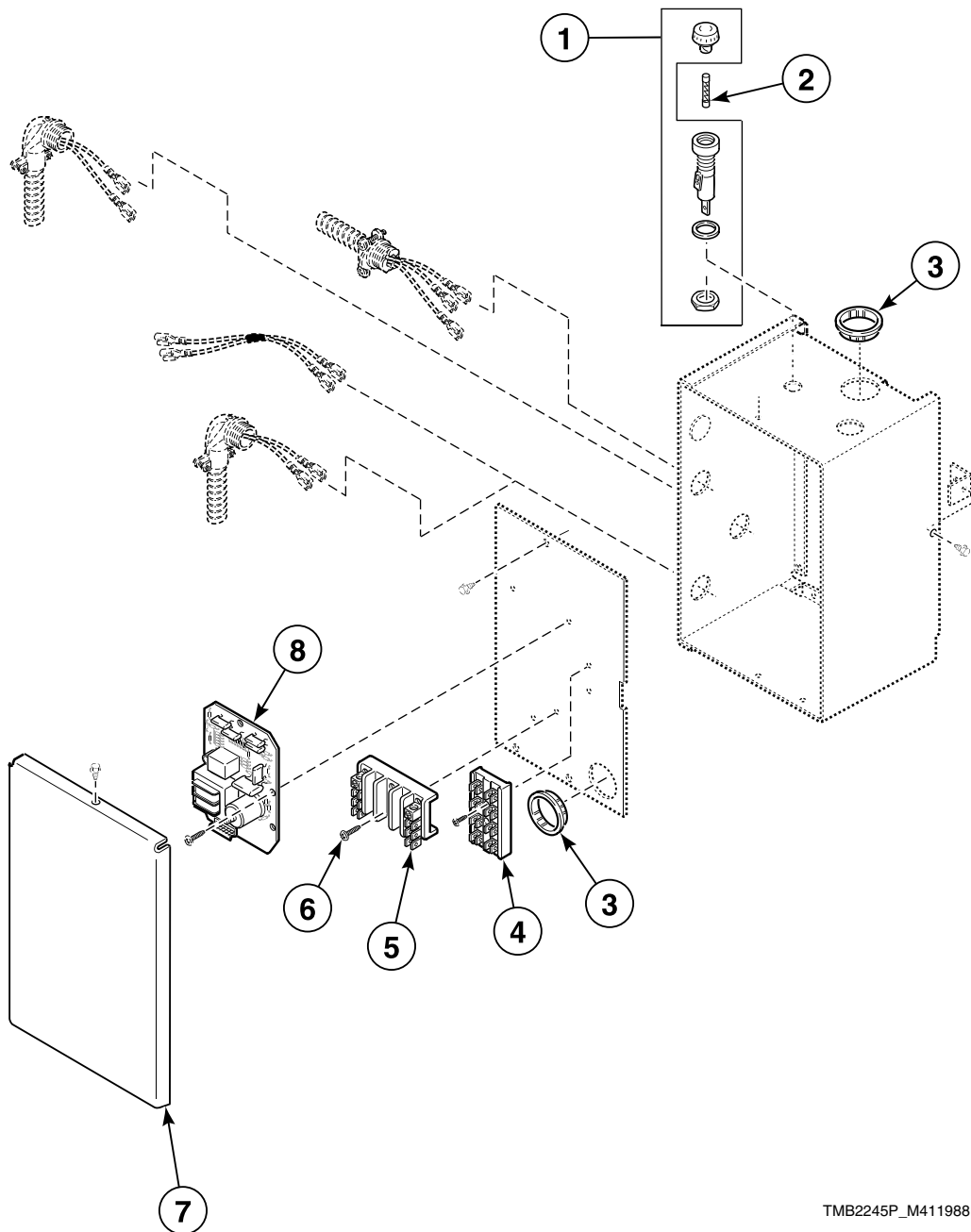
Junction Box - 240 Volt/50 Hertz

REF	PART NO.	DESCRIPTION	COMMENTS
	430223	Instant Electronic Ignition Wire Harness Assembly	Models through Serial No. DTCK9312064705 or DTCK9401011756
	430787	Main Wire Harness Assembly	240 Volt/50 Hertz; Lower; Models through Serial No. DTCK0728884ZH
	431055	Main Wire Harness Assembly	240 Volt/50 Hertz; Lower; Models starting Serial No. DTCK0728885ZH through DTCK9211033713
	N/A	Main Harness	240 Volt/50 Hertz; Upper; Models through Serial No. DTCK9211033713
	430738P	Transformer	50 Hertz
	430746	Relay	Isolation; 240 Volt
1	91024P	Fuse Receptacle	
2	M409997	Fuse	6 Amp; 250 Volt
3	M402542	Snap Bushing	
4	N/A	Latch Relay	
5	430639	Jumper Terminal Block	
6	430641	Terminal Block	120 Volt
7	51778	Screw	
8	430554	Junction Box Cover	
9	M406789P	Ignition Control	

N/A = Part no longer available

Junction Box - 120 or 208-240 Volt/60 Hertz

Models Starting Serial No. DTCK9211033715



TMB2245P_M411988

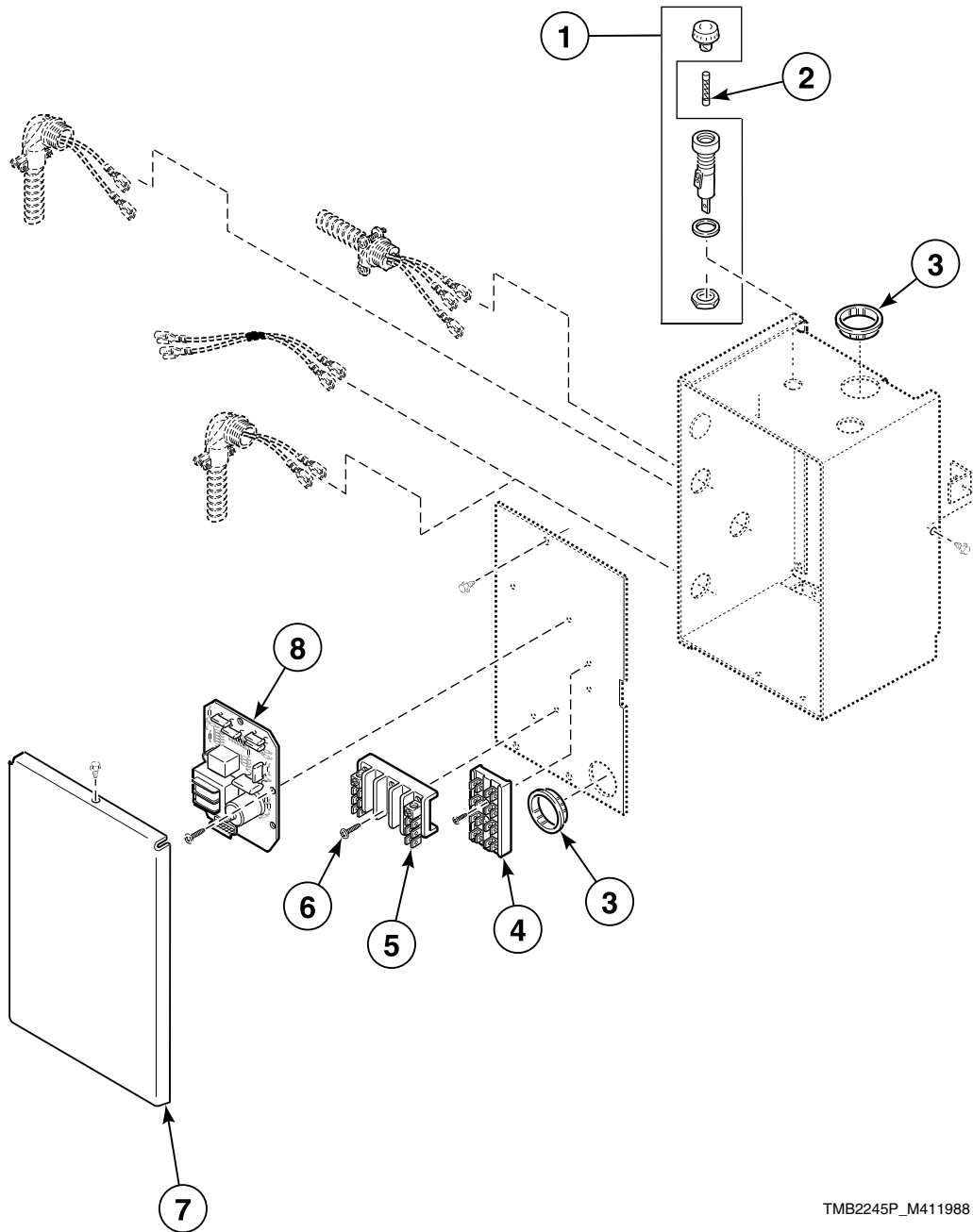
Junction Box - 120 or 208-240 Volt/60 Hertz

REF	PART NO.	DESCRIPTION	COMMENTS
	430223	Instant Electronic Ignition Wire Harness Assembly	Models through Serial No. DTCK9312064705 or DTCK9401011756
	N/A	Main Wire Harness Assembly	208-240 Volt/60 Hertz; Lower; Models starting Serial No. DTCK9211033714 through DTCK9302040179
	N/A	Main Wire Harness Assembly	208-240 Volt/60 Hertz; Lower; Models starting Serial No. DTCK9302040180 through DTCK9312064705
	431081	Main Wire Harness Assembly	120 Volt/50 or 60 Hertz; Lower; Models starting Serial No. DTCK9211033714 through DTCK9302024774
	N/A	Main Wire Harness Assembly	120 Volt/50 or 60 Hertz; Upper; Models starting Serial No. DTCK9211033714 through DTCK930204774
	431251	Main Wire Harness Assembly	120 Volt/50 or 60 Hertz; Upper; Models starting Serial No. DTCK9302024774 through DTCK9308000526
	N/A	Main Harness	120 Volt/50 or 60 Hertz; Upper; Models starting Serial No. DTCK9308000527 through DTCK9312064705
	N/A	Main Wire Harness Assembly	208-240 Volt/60 Hertz; Upper; Models starting Serial No. DTCK9211033714 through DTCK9302040179
	N/A	Main Wire Harness Assembly	208-240 Volt/60 Hertz; Upper; Models starting Serial No. DTCK9302040180 through DTCK9312064705 or DTCK9401011756
1	91024P	Fuse Receptacle	Located in upper junction box only
2	M409997	Fuse	6 Amp; 250 Volt; Located in upper junction box only
3	M402542	Snap Bushing	
4	N/A	Jumper Terminal Block	
5	430641	Terminal Block	120 Volt
	430642	Terminal Block	240 Volt
6	51778	Screw	
7	430554	Junction Box Cover	
8	M406789P	Ignition Control	

N/A = Part no longer available

Junction Box - 240 Volt/50 Hertz

Models Starting Serial No. DTCK9211033715



TMB2245P_M411988

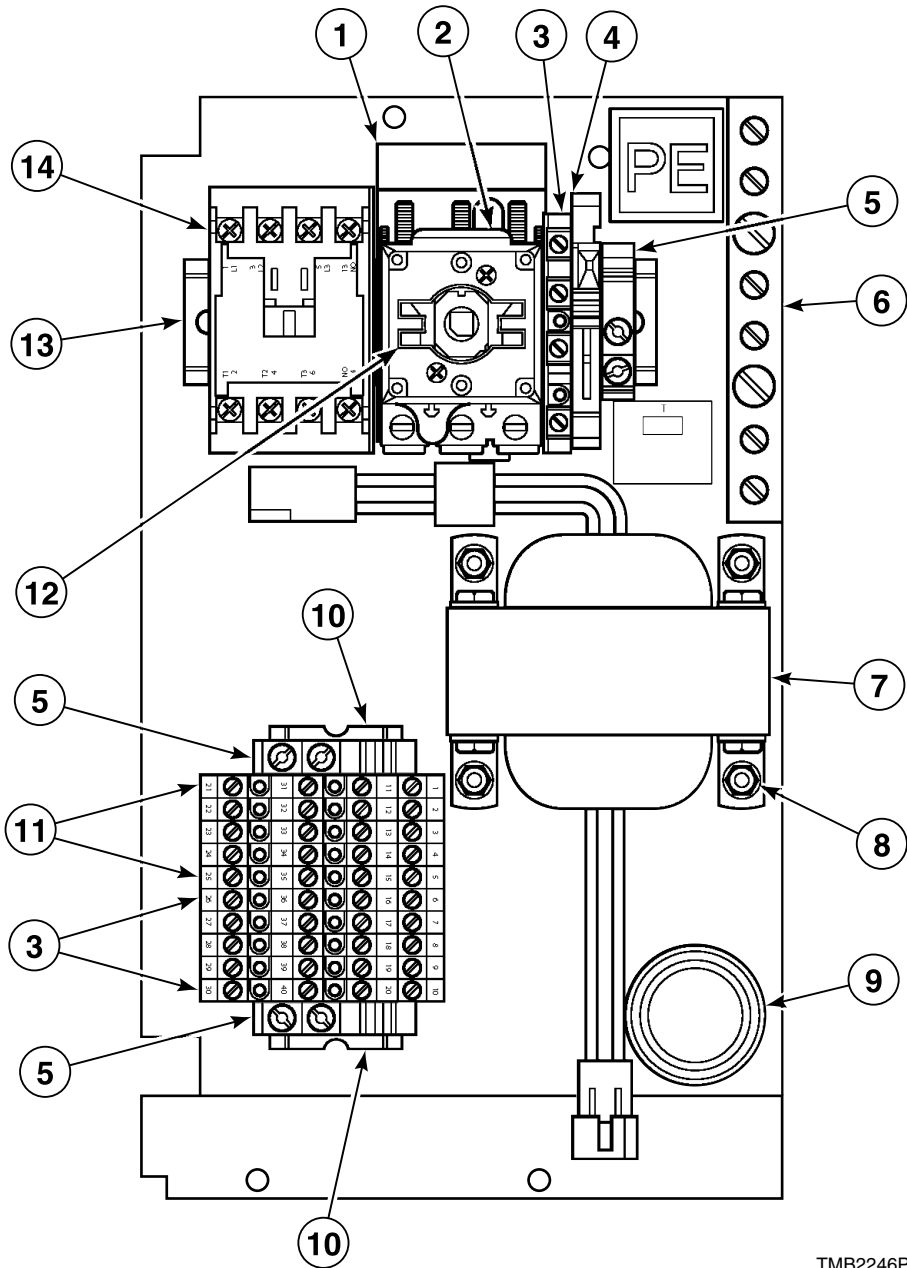
Junction Box - 240 Volt/50 Hertz

REF	PART NO.	DESCRIPTION	COMMENTS
	430223	Instant Electronic Ignition Wire Harness Assembly	Models through Serial No. DTCK9312064705 or DTCK9401011756
	N/A	Main Wire Harness Assembly	240 Volt/50 Hertz; Lower; Models starting Serial No. DTCK9211033714 through DTCK9302014184
	N/A	Main Wire Harness Assembly	240 Volt/50 Hertz; Lower; Models starting Serial No. DTCK9302014185 through DTCK9312064705 or DTCK9401011756
	N/A	Main Wire Harness Assembly	240 Volt/50 Hertz; Upper; Models through Serial No. DTCK9302014184
	N/A	Main Harness	240 Volt/50 Hertz; Upper; Models starting Serial No. DTCK9302014185 through DTCK9312064705 or DTCK9401011756
	430738P	Transformer	50 Hertz; Located in upper junction box only
	430746	Relay	Isolation; 240 Volt
1	91024P	Fuse Receptacle	Located in upper junction box only
2	430836	Fuse	3/4 Amp; 250 Volt; Located in upper junction box only
3	M402542	Snap Bushing	
4	N/A	Jumper Terminal Block	
5	430641	Terminal Block	120 Volt
6	51778	Screw	
7	430554	Junction Box Cover	
8	M406789P	Ignition Control	

N/A = Part no longer available

Contactor Box

CE Models
230 Volt/50 Hertz/1 Phase



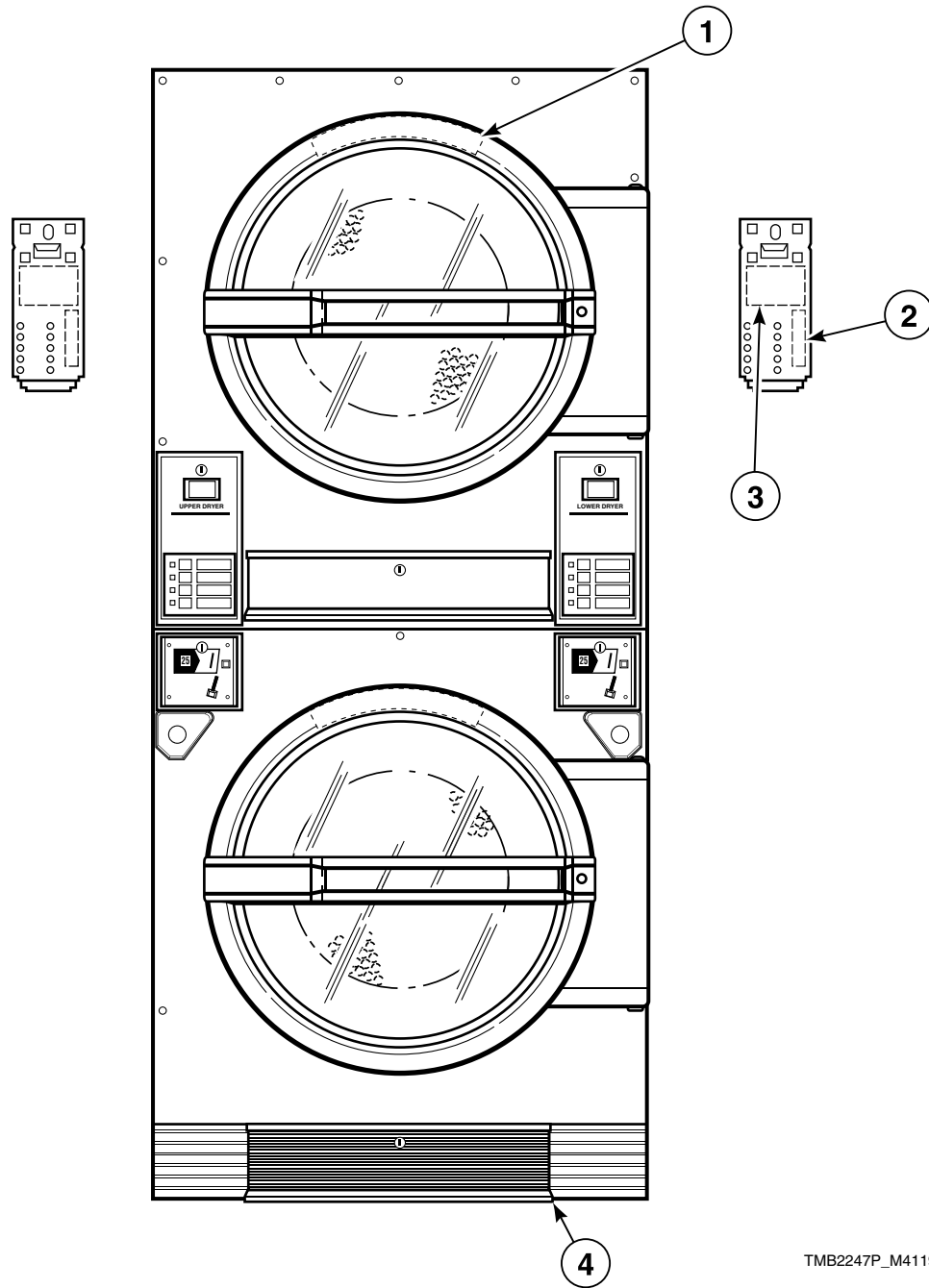
TMB2246P_M411988

Contactor Box

REF	PART NO.	DESCRIPTION	COMMENTS
	M412688	Nut	
	502593	Fuse	.4 Amp
	M412633	End Barrier	
1	M412366	Finger Guard	Upper unit only
2	M412187	Mounting Switch Base	Upper unit only; Disconnect
3	M412632	Terminal Block	1 circuit
4	M412537	Terminal Block	
5	70121001	End Stop	230 Volt
6	M412656	Ground Buss Assembly	
7	M412477P	Transformer	230 Volt
8	51780	Screw	
9	M402542	Snap Bushing	
10	M412692	Din Rail	88.9 mm
11	M412631	Terminal Block	2 circuit
12	431515	Modified Extension	
13	N/A	Din Rail	127 mm
14	M412404P	Contactor	Motor; 9 Amp

N/A = Part no longer available

Stickers and Labels - Front of Machine



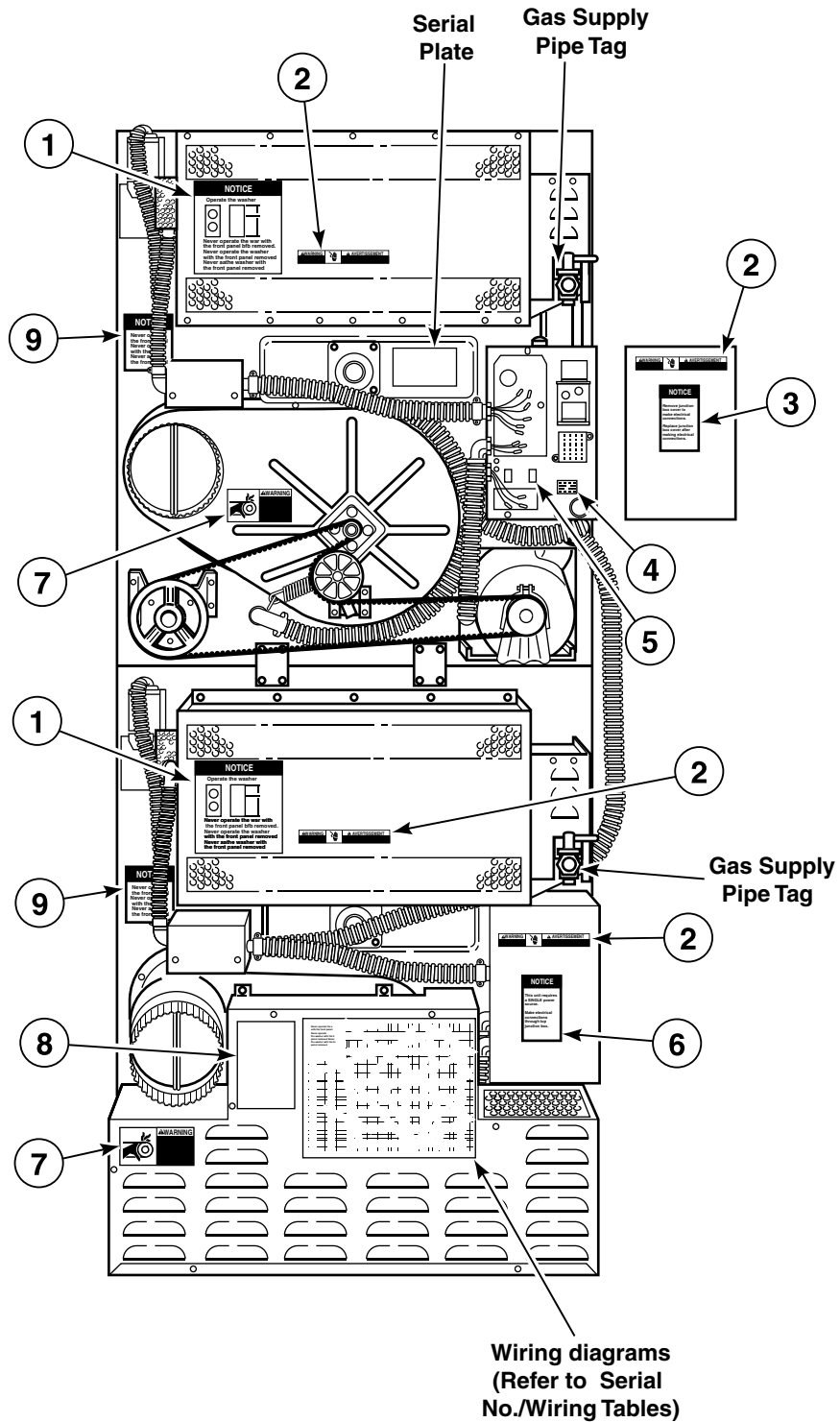
TMB2247P_M411988

Stickers and Labels - Front of Machine

REF	PART NO.	DESCRIPTION	COMMENTS
1	M410892	Warning Label	Located on front panel behind door
2	N/A	Microprocessor Display Sticker	Located on back of micro door
3	N/A	Microprocessor Programming Label	Located on back of micro door
4	500316	Warning Label	Located under lint drawer

N/A = Part no longer available

Stickers and Labels - Rear of Machine



TMB2248P_M411988

Stickers and Labels - Rear of Machine

REF	PART NO.	DESCRIPTION	COMMENTS
1	N/A	Installation Notice Sticker	
2	500316	Warning Label	Dual language
3	N/A	Junction Box Notice Sticker	
4	M403047	Secure Ground Label	
5	N/A	Wire Marker	
6	N/A	Power Source Notice Sticker	
7	N/A	Belt Warning Sticker	
8	M411815	Vent and Thimble Caution Label	
9	N/A	Thimble Notice Label	

N/A = Part no longer available

Parts Index

A

Adhesive	
430821	23
Airflow Switch	
431431	33
Airflow Switch Kit	
430369P	33
Airflow Switch Vane	
430372	33
Anti-Torque Ring	
M400605	37, 39

B

Belt	
430054	25, 27, 31
430104P	25, 27
Belt Guard	
430525	31
Belt Guard Switch	
430542	31
Blind Rivet	
430489	13, 21
Bracket	
431361	23
Bumper	
M400795	29
Burner Assembly	
430506	33
Burner Orifice	
430654	37, 39
430655	37, 39
430736	39
430773	39
430893	37
430933	39
430935	37
430938	35, 37
431010	35, 37
431191	35
431192	35
Burner Plate Cover	
430375	33

C

Close Limit Thermostat	
430387P	33
Coil and Harness Kit	
430690	41
Coin Chute	
430228	13
Coin Drawer Assembly	
430977*	15
430987*	15
Coin Drop	
430605	5, 15

430609	5
431037	7
431126	5, 15
431630	5, 15
44085402	7
70264901	5
Coin Drop Key	
430664	5, 7, 11, 21
Coin Drop Kit	
431623P	5, 15
Coin Drop Switch	
70286101P	5
Coin Vault Shadow Box	
430548	13, 15
Contactora	
M412404P	51
Control Panel Overlay	
70379901	5
70380001	5
70380101	5
70380201	5
Conversion Kit	
474P3	39
514P3	37
550P3	35
563P3	35
Cotter Pin	
02470	33
Cylinder and Trunnion Assembly	
430580P	23
Cylinder Assembly	
430929P	23
Cylinder Bearing Stud Plate Assembly	
430352	23
Cylinder Guide Tool	
263P4	23
Cylinder Idler Arm	
430263	25, 27
Cylinder Idler Bracket	
430193	25, 27

D

Din Rail	
M412692	51
Door Assembly	
M410887	19
430475	19
430476	19
Door Glass	
M400784P	19
70133601P	19
Door Glass Seal Kit	
70211901P	19
Door Graphics	
430902	11
430904	11
Door Handle	
430117	19
430459	19

N/A items do not appear in index.

44057701	19
Door Hinge Assembly M402714*	19
Door Latch M401223	13, 15, 19
Door Plug 430649	19
Door Ring Gasket M406129	19
Door Switch M406103	17, 19
Door Switch Bracket 431118	17
Door Switch Tab 431089	19
Drive Idler Arm 430250	29
Drum Idler Wheel Assembly 430618	29
430619	25, 27

E

End Barrier M412633	51
End Stop 70121001	51

F

Fan M410088P	29
Fan Shaft Assembly 430853	29
Felt Pad M402144	23
Finger Guard M412366	51
Flat Lens 430561	11
Front Cylinder Seal Strap 430845P	23
Front Panel Assembly 431221	15
431323*P	13
Front Plate 430385	21
431002	21
431003	21
Front Seal Kit 430844P	23
Front Thermostat Cover 430549	33
Fuse M409997	43, 45, 47
430836	49
502593	51
Fuse Receptacle 91024P	43, 45, 47, 49

G

Gas Valve Assembly 430657	39
430658	39
Ground Buss Assembly M412656	51

H

High Voltage Lead 430257	35, 37, 39
Hinge Assembly M400514	19
Hinge Bracket 431000*	13, 15, 19
431044	13, 15, 19
Hinge Pin M400653	19

I

Idler Pulley Bracket 430442	29
Ignition Control M406789P	43, 45, 47, 49
Instant Electronic Ignition Valve Coil Kit M409253P	41
Instant Electronic Ignition Wire Harness Assembly 430223	43, 45, 47, 49
431053P	43

J

Jackshaft Assembly 430867	27
Jumper Terminal Block 430639	43, 45
Junction Box Cover 430554	43, 45, 47, 49

K

Key M400993	27
M401327	27
Kickplate Extension 431001	21

L

Limit Thermostat M406412	29
Lint Compartment Label 430527	21
Lint Drawer Assembly 430490	21

N/A items do not appear in index.

Lint Drawer Lock Plate 430381	23
Lint Drawer Seal 430638P	13, 15, 21
430871	21
Lint Drawer Switch 430540P	21
431159	21, 31
Lint Screen Bracket 430126	21
Lint Screen Frame Assembly 430482	21
431215	21
Lock and Key 430429P	21
Lock, Key and Nut Kit 44089301P	5, 11, 21
44089302P	5, 11, 21
L.P. Valve Replacement Kit 868P3	35, 37, 39

M

Main Harness Assembly 430966P	43
Main Wire Harness Assembly 430787	45
431055	45
431081	47
Microprocessor Control Assembly 431519P	11, 13, 15
Microprocessor Control Shadow Box 431326	13, 15
Microprocessor Door Lock 430832P	11
Microprocessor Overlay 431006	11
431007	11
Microprocessor Wire Harness Kit 430330P	11
Modified Extension 431515	51
Motor 430426	31
431325P	21, 31
Motor Capacitor M410302	31
Motor Harness Assembly 431257	31
Mounting Insulation H96418728	33
Mounting Switch Base M412187	51

N

Nut F430264	23
M400022	23, 27, 29
M400034	23, 27, 29
M401549	37, 39
M401930	9, 23

M412688	51
M414215	19
Q6163	19
02428	23, 29
20275	9
23951	15, 19
430576	23
430875	29
431045	17
52566	25, 27
56156	25, 27, 29
70072901	33
80116	27
N.G. Valve Replacement Kit 867P3	35, 37, 39

O

O-Ring 431182A	35
Overlay 70379902	7
70380002	7
70380102	7
70380202	7

P

Panel Key M401680	21
Partition Reinforcing Plate 430856	27
430857	27
Pop Rivet M400003	13, 15, 19, 23
M410762	13, 15, 19
Pulley Kit 430050P	25, 27

R

Reject Button 81312J	5, 7
Rejector M412094	5, 7
81312D	7
Relay 430746	45, 49
Replacement Door Handle Kit 70133501P	19
Reset Thermostat 430539P	33
Retaining Ring 70061	23
Rib Assembly 430099	23
Roller Bearing Assembly 430019	23
Roller Shaft 431315	23

N/A items do not appear in index.

Roller Shaft Retainer 431314	23
---------------------------------------	----

S

Safety Wire Harness Assembly 430843	15
Screw	
M400044	19
M400057	25, 27, 31
M400063	17
M400661	19
M401938	33
M405188	29
M409385	19
02422	25, 27
23962	29, 35, 37, 39
27196	17, 29
27220	25
28193	17
33561	23
430497	19, 31, 33
430648	25, 27, 29
430756	19
430757	21, 29
431051	19
431287	33
431539	25, 27, 29
51778	43, 45, 47, 49
51780	21, 51
56693	33
Seal Kit 430105P	23
Seal Strap 430355P	23
Secure Ground Label M403047	55
Sensor M409114	29
Shadow Box Clip M400972	13, 15
Sheave 430800P	25, 27
Shut-Off Valve Kit 431182P	35, 37, 39
Side and Back Cover 430338	29
Snap Bushing M402542	17, 35, 37, 39, 43, 45, 47, 49, 51
Spacer M401402	23
Spark Igniter 430317P	33
Spring	
430954	23
52310	23
Step Down Thermostat 430729	33
Stove Limit Thermostat 431177	33
Support Housing Bearing Assembly 430260P	23
Sweep Sheet Bumper Kit 431198P	23

Sweep Sheet Kit 430884P	23
Switch Plate 81637	9

T

Terminal Block	
M412537	51
M412631	51
M412632	51
430641	43, 45, 47, 49
430642	43, 47
Thermostat Cover M414477	33
Thimble and Vane Assembly 430536P	29
Transformer	
M412477P	51
430738P	45, 49
Trunnion Assembly 430219	23

U

U-Bolt Clamp Kit 430862P	27
-----------------------------------	----

V

Vane Assembly 430534	29
Vent and Thimble Caution Label M411815	31, 55

W

Warning Label	
M410892	53
500316	53, 55
Washer	
M400017	25, 27
M400080	31
M400675	19
M400991	23
M401947	23
02834	23, 25, 27, 29, 31
03815	19
26509	25
29443	29
430782	25, 27, 29
51345	33

N/A items do not appear in index.