

Drying Tumblers

Stacked 30 Pound Capacity
Models Starting Serial No. DTCK9401011756
Refer to Page 3 for Model Numbers

Parts



www.comlaundry.com

Part No. M412907R5
June 2007

Table of Contents

Title	Page
Parts Ordering Information.....	2
Serial Plate Location	2
Model Identification	3
Electronic Control.....	4
Coin Drops and Plates	6
Electro-Mechanical Control.....	8
Front Panel Assembly.....	10
Side Panels.....	12
Loading Door - Models SCD32DG and STD32DG	14
Loading Door - Models JCD32DG and JTD32DG	16
Lint Drawer.....	18
Cylinder	20
Drive Shaft	22
Blower Housing and Fan.....	24
Motor and Belt Guard.....	26
Thermostat and Burner	28
Gas Valve	30
Gas Valve Coils	32
Junction Box - 120, 208 or 240 Volt/60 Hertz	34
Junction Box - 240 Volt/50 Hertz or 220 Volt/60 Hertz	36
Contactors Box	38
Stickers and Labels - Front of Machine	40
Stickers and Labels - Rear of Machine	42
Parts Index.....	45

© Copyright 2007, Alliance Laundry Systems LLC

All rights reserved. No part of the contents of this book may be reproduced or transmitted in any form or by any means without the expressed written consent of the publisher.

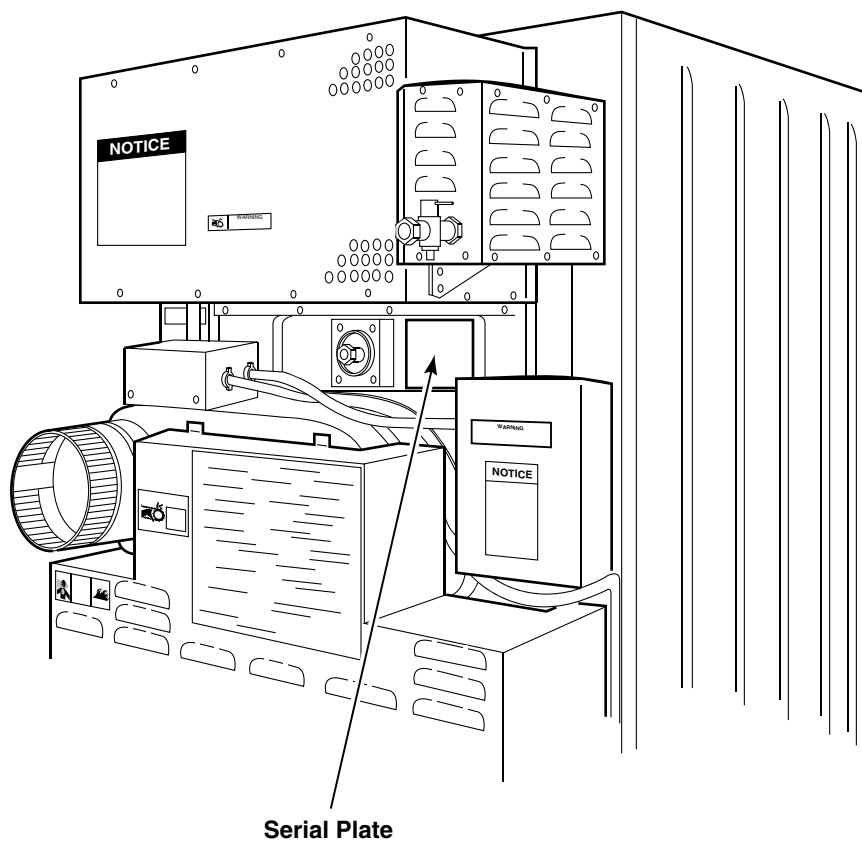
Parts Ordering Information

If literature or replacement parts are required, contact the source from whom the machine was purchased or contact Alliance Laundry Systems at (920) 748-3950 for the name and address of the nearest authorized parts distributor.

For technical assistance, call (920) 748-3121.

Serial Plate Location

When calling or writing about your product, be sure to mention model and serial numbers. Model and serial numbers are located on serial plate(s) as shown.



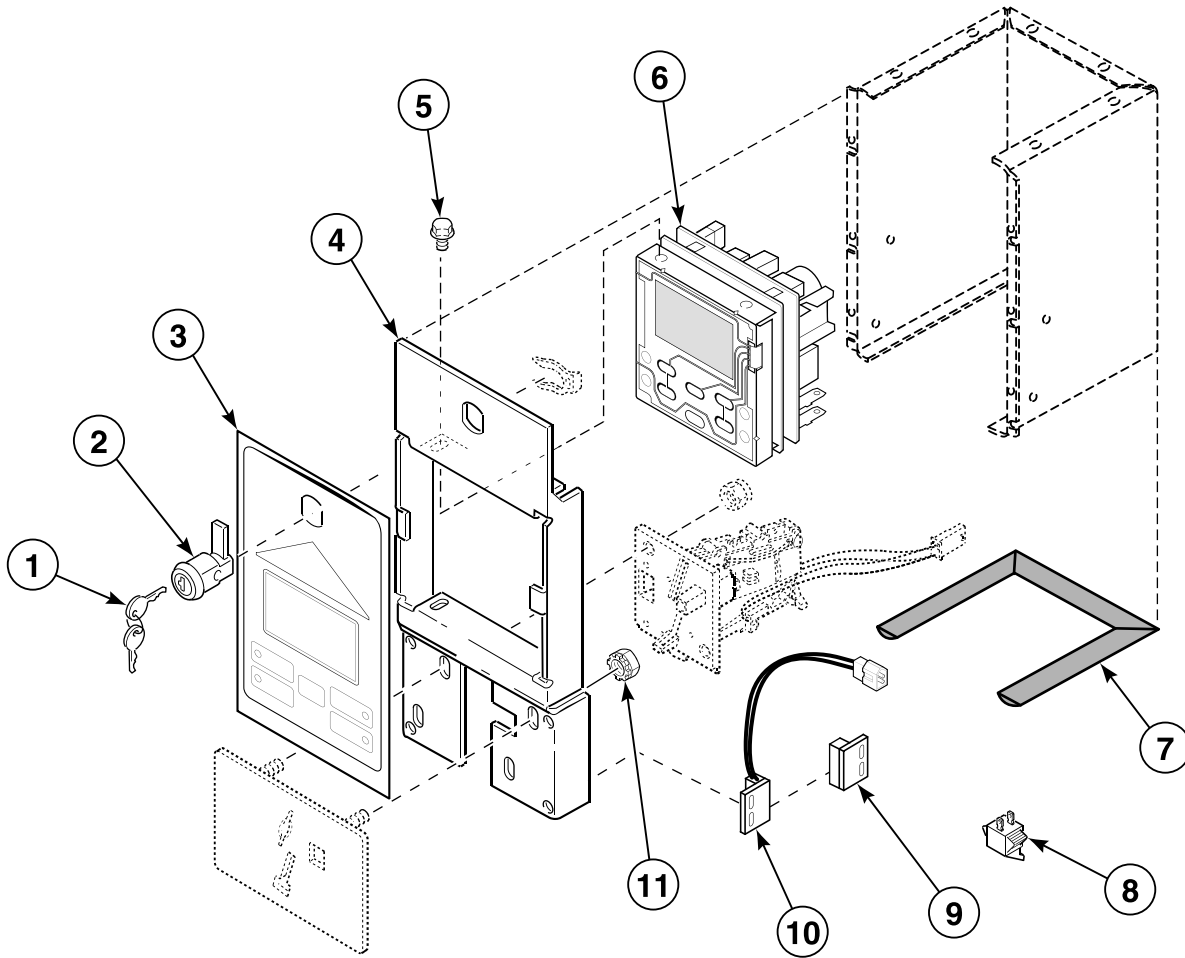
T278P_M412907

Model Identification

Information in this manual is applicable to these tumbler models:

JCD32DG
JTD32DG
SCD32DG
STD32DG

Electronic Control



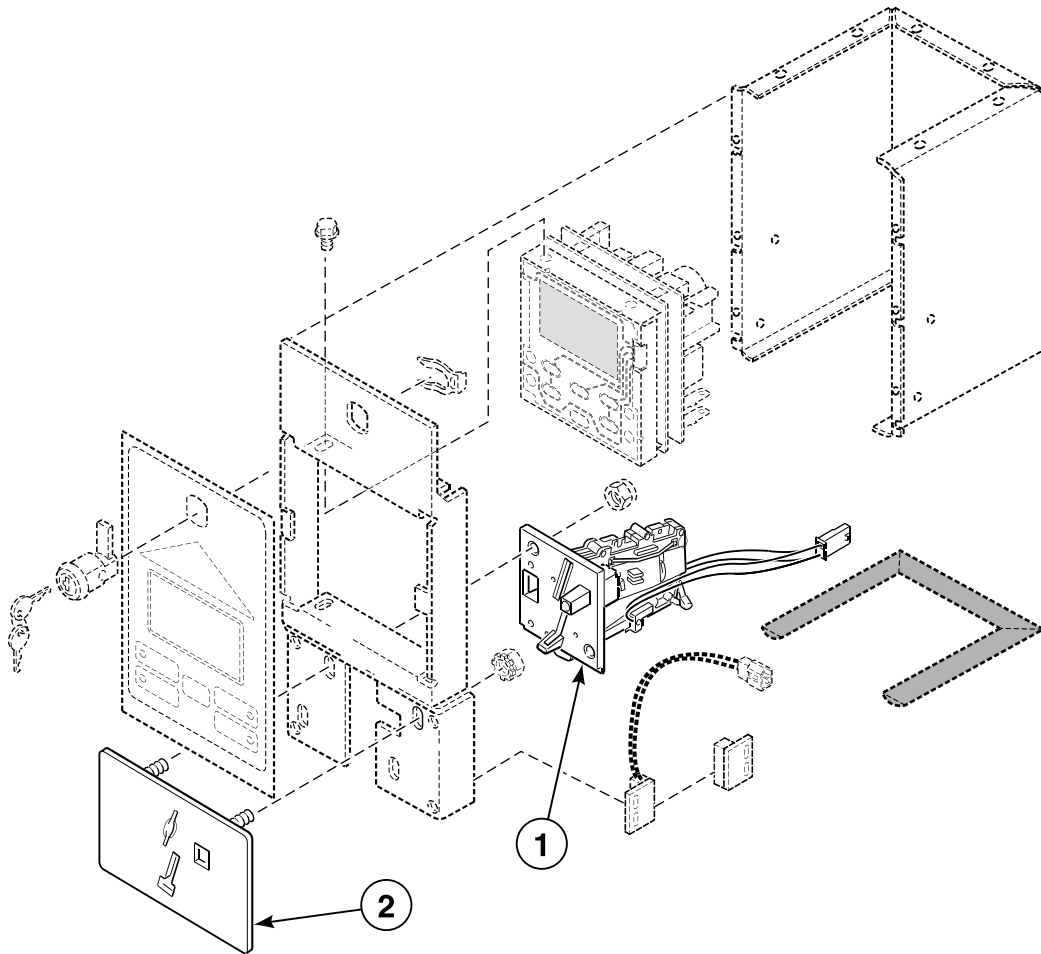
TMB2126P_M412907

Electronic Control

REF	PART NO.	DESCRIPTION	COMMENTS
	70379901	Control Panel Overlay	Models SCD32DG and STD32DG; Top
	70380001	Control Panel Overlay	Models SCD32DG and STD32DG; Bottom
	70380101	Control Panel Overlay	Models JCD32DG and JTD32DG; Top
	70380201	Control Panel Overlay	Models JCD32DG and JTD32DG; Bottom
	431392P	Control Harness Assembly	CD control suffix
	431390P	Main Wire Harness Assembly	Lower; 120 Volt/50 or 60 Hertz; 208-240 Volt/60 Hertz; 240 Volt/50 Hertz
	431389P	Main Wire Harness Assembly	Upper; 120, 208-240 Volt/50 or 60 Hertz; 240 Volt/50 Hertz
	431391P	Microprocessor Wire Harness Assembly	Models starting Serial No. DTCK941xxxxx
	613P3	Microprocessor Wire Harness Kit	Models starting Serial No. DTCK9401011757 through Serial No. DTCK9410000000
	44089301P	Lock, Key and Nut Kit	RL001; Can be used to replace items 1 and 2
	44089302P	Lock, Key and Nut Kit	RL002; Can be used to replace items 1 and 2
1	430664	Coin Drop Key	
2	430832P	Microprocessor Door Lock	
3	431232	Control Panel Overlay	Models SCD32DG and STD32DG; Upper left
	431234	Control Panel Overlay	Models SCD32DG and STD32DG; Lower right
	431297	Control Panel Overlay	Models JCD32DG and JTD32DG; Upper left
	431298	Control Panel Overlay	Models JCD32DG and JTD32DG; Lower right
	70379901	Control Panel Overlay	Models SCD32DG and STD32DG; Left overlay with factory installed Munzprufer drop
	70380001	Control Panel Overlay	Models SCD32DG and STD32DG; Right overlay with factory installed Munzprufer drop
	70380101	Control Panel Overlay	Models JCD32DG and JTD32DG; Left overlay with factory installed Munzprufer drop
	70380201	Control Panel Overlay	Models JCD32DG and JTD32DG; Right overlay with factory installed Munzprufer drop
4	431516	Control Panel Door	
5	501524	Screw	
6	M414050P	Control Kit	120 Volt/60 Hertz
	M411883P	Control Kit	240 Volt/50 Hertz
7	431213	Control Housing Seal	
8	431159	Lint Drawer Switch	Rocker; Replaced items 6 and 7 on models starting Serial No. 9603001663
9	501453	Magnet	Models through Serial No. 9603001662
10	34599	Reed Switch	Models through Serial No. 9603001662
11	29786	Nut	

NOTE: Individual wires are not available separately. Order complete harness, or order wire by the foot. When applying terminals to wires, it is recommended that the terminals be soldered to the wires.

Coin Drops and Plates



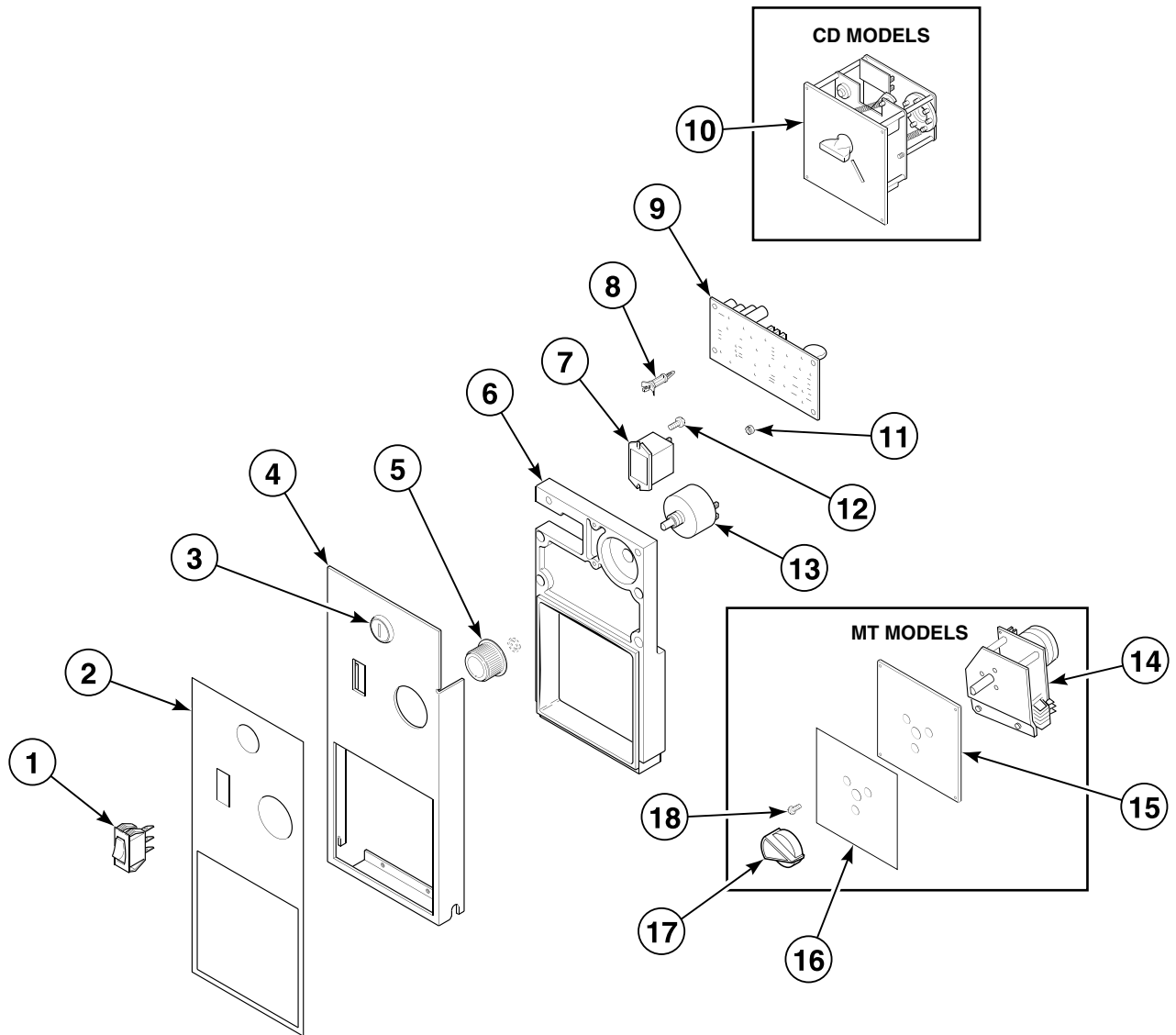
TMB2108P_M412907

Coin Drops and Plates

REF	PART NO.	DESCRIPTION	COMMENTS
	N/A	Coin Drop	Euro; .20
	70265301	Coin Drop	Euro; .50
	431624P	Coin Drop	USA; \$.25
	200674P	Opto Coupler	For factory installed Munzprufer drop
	200825P	Opto Coupler	For 431631 and 431624 Coin Drop
1	431631	Coin Drop	Australia
	N/A	Coin Drop	Belgium
	N/A	Coin Drop	Denmark
	N/A	Coin Drop	England
	N/A	Coin Drop	France
	N/A	Coin Drop	Hong Kong
	N/A	Coin Drop	Japan
	N/A	Coin Drop	South Africa
	N/A	Coin Drop	South Korea
	N/A	Coin Drop	Taiwan
	N/A	Coin Drop	Thailand
	431624P	Coin Drop	USA
	N/A	Coin Drop	Token; STD-118-1
	M411607	Coin Drop	Token; STD-118-5
	N/A	Coin Drop	Token; STD-118-16
2	N/A	Coin Drop Front Plate	All countries

N/A = Part no longer available

Electro-Mechanical Control



TMB2097P_M412907

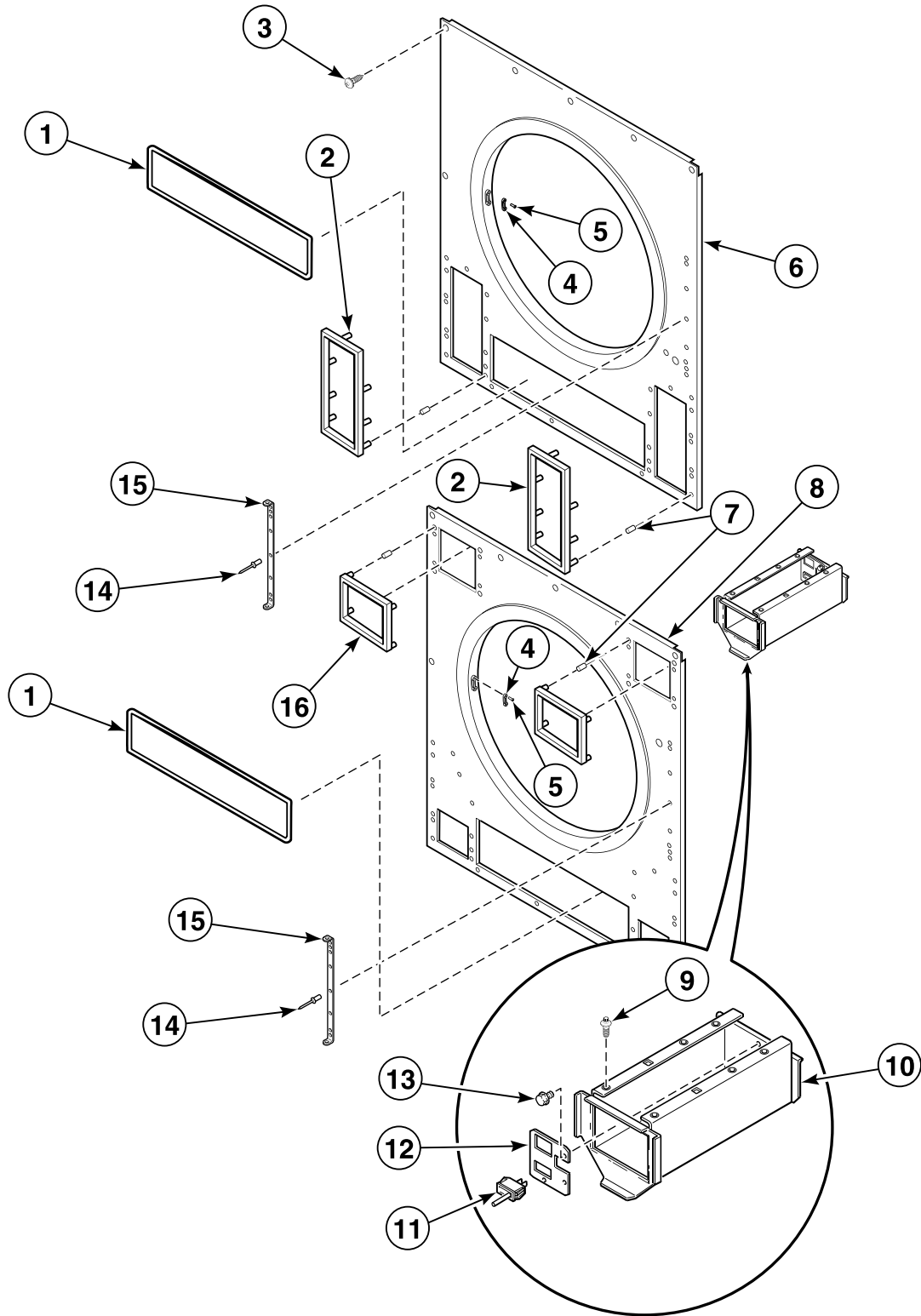
Electro-Mechanical Control

REF	PART NO.	DESCRIPTION	COMMENTS
	431393	Jumper Harness Assembly	
	431390P	Main Wire Harness Assembly	Lower; 120 Volt/50 or 60 Hertz; 208-240 Volt/60 Hertz; 240 Volt/50 Hertz
	431389P	Main Wire Harness Assembly	Upper; 120 Volt/50 Hertz; 208-240 Volt/60 Hertz; 240 Volt/50 Hertz
	431391P	Microprocessor Wire Harness Assembly	
	613P3	Microprocessor Wire Harness Kit	Models starting Serial No. DTCK9401011757 through Serial No. DTCK9410000000
1	601P3	Switch Conversion Kit	120 Volt; Includes 431522 Rocker Switch and 25851 Indicator Light
	602P3	Switch Conversion Kit	240 Volt; Includes 431522 Rocker Switch and 25848 Indicator Light
2	431344	Door Overlay	Models JCD32DG and JTD32DG; Upper
	431367	Door Overlay	Models JCD32DG and JTD32DG; Lower
	N/A	Door Overlay	Models SCD32DG and STD32DG; Upper
	N/A	Door Overlay	Models SCD32DG and STD32DG; Lower
3	430832P	Microprocessor Door Lock	
4	431359	Control Panel Door Assembly	
5	431351	Temperature Knob	Models SCD32DG and STD32DG
	431357	Temperature Knob	Models JCD32DG and JTD32DG
6	431371	Control Mounting Bracket	
7	431349	Relay	
8	34896	Circuit Board Support	4 required
9	431346P	Thermostat Module	
10	N/A	Coin Meter	220 Volt/50 Hertz
	N/A	Coin Meter	Australia: \$1/15 minutes; Belgium: 5 franc; England: 20 pence/7.5 minutes; France: 5 franc/6 minutes; Hong Kong: \$1/10 minutes; Malaysia; South Africa: .50/15 minutes; Token: STD-118-2; Token: STD-188-5/10; Venezuela
	N/A	Coin Meter	Australia: .20/5 minutes; Canada: \$.25/7.5 minutes; France: 2 franc
	M402508-34	Coin Meter	Denmark; Krone/5 minutes
	M402508-14	Coin Meter	Japan
	M402508-12	Coin Meter	South Africa
	M402508-36	Coin Meter	Token; STD-118-1
	M405138P	Coin Meter	USA; \$.25/10 minutes
11	70054	Nut	2 required
12	M400071	Screw	4 required
13	431353P	Potentiometer	Temperature switch
14	M400791P	Timer	60 minute
15	M413340	Plate	
16	M413338	Graphic Overlay	
17	M400773	Knob	Timer; Models SCD32DG and STD32DG
	M410927	Knob	Timer; Models JCD32DG and JTD32DG
18	M411052	Screw	3 required

N/A = Part no longer available

NOTE: Individual wires are not available separately. Order complete harness, or order wire by the foot. When applying terminals to wires, it is recommended that the terminals be soldered to the wires.

Front Panel Assembly



TMB2100P_M412907

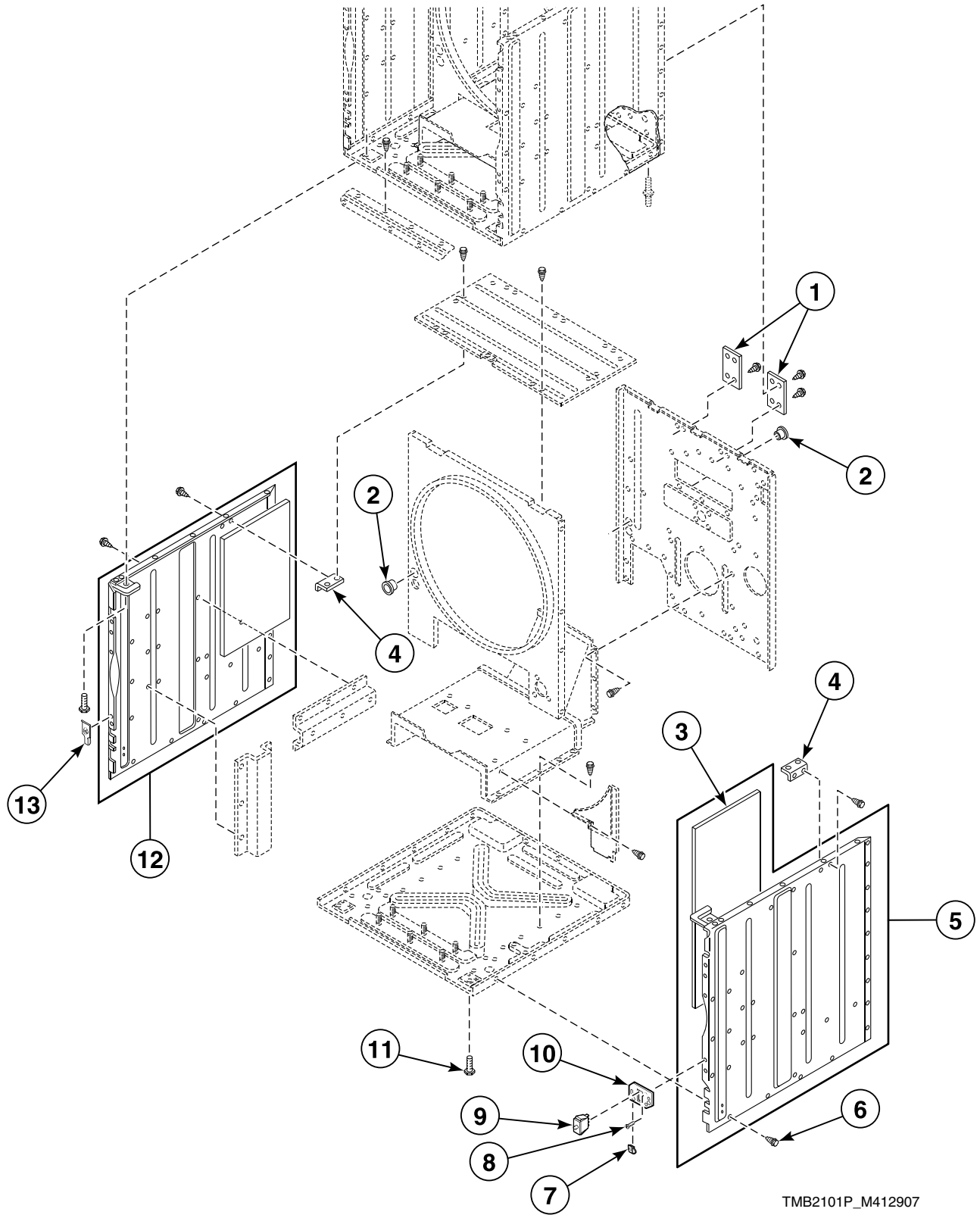
Front Panel Assembly

REF	PART NO.	DESCRIPTION	COMMENTS
1	430638P	Lint Drawer Seal	Included with front panel
2	431326	Microprocessor Control Shadow Box	
3	N/A	Screw	Attaches front panel to cabinet
4	M401223	Door Latch	Included with front panel
5	M400003	Pop Rivet	Included with front panel
6	N/A	Front Panel	Upper
	431221P	Front Panel Assembly	Stainless steel; Upper
7	M400972	Shadow Box Clip	
8	N/A	Front Panel	Lower
	N/A	Front Panel	Stainless steel; Lower
9	M411994	Screw	Attaches coin vault to cabinet
10	44102801	Coin Vault Assembly	
11	34536	Pushbutton Switch	
12	M411595	Switch Mounting Plate	
13	430497	Screw	
14	M410762	Pop Rivet	Included with front panel
15	431000*	Hinge Bracket	Included with front panel
	431044	Hinge Bracket	Stainless steel; Included with front panel
16	M400131P	Shadow Box and Clip	Coin vault; Includes 4 of item 7

* Add Letter To Designate Color. B - Battina Green H - Harvest Gold K - Red L - Almond P - Turquoise V - Orange
W - White X - Electric Blue

N/A = Part no longer available

Side Panels



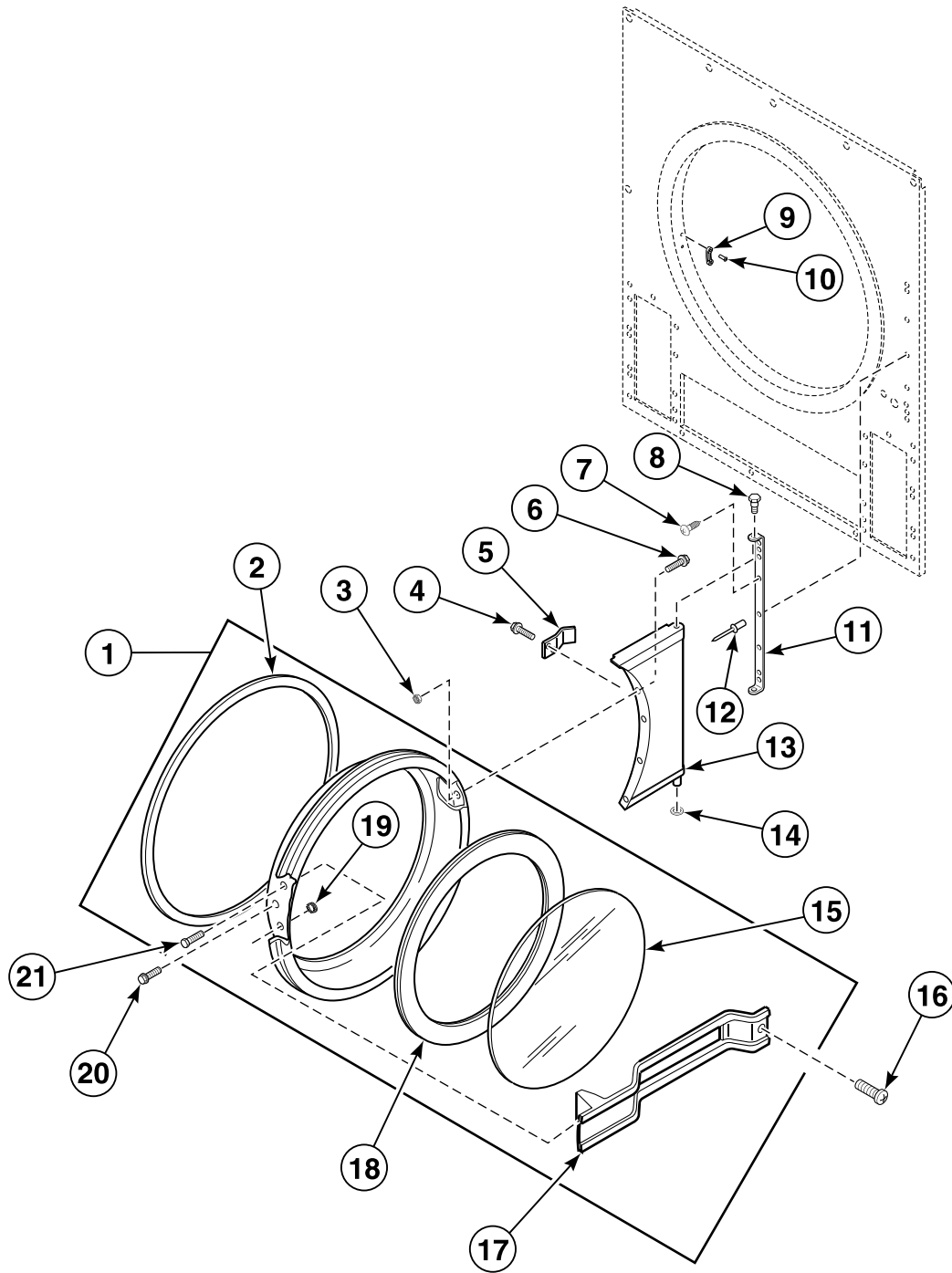
TMB2101P_M412907

Side Panels

REF	PART NO.	DESCRIPTION	COMMENTS
1	N/A	Bracket	
2	M402542	Snap Bushing	
3	N/A	Insulation	
4	N/A	Bracket	
5	N/A	Side Panel and Insulation	Right
6	27196	Screw	
	N/A	Screw	
7	431045	Nut	
8	28193	Screw	
9	M406103	Door Switch	
10	431118	Door Switch Bracket	
11	M400063	Screw	Leveling leg
12	N/A	Side Panel and Insulation	Left
13	N/A	Nut	

N/A = Part no longer available

Loading Door - Models SCD32DG and STD32DG



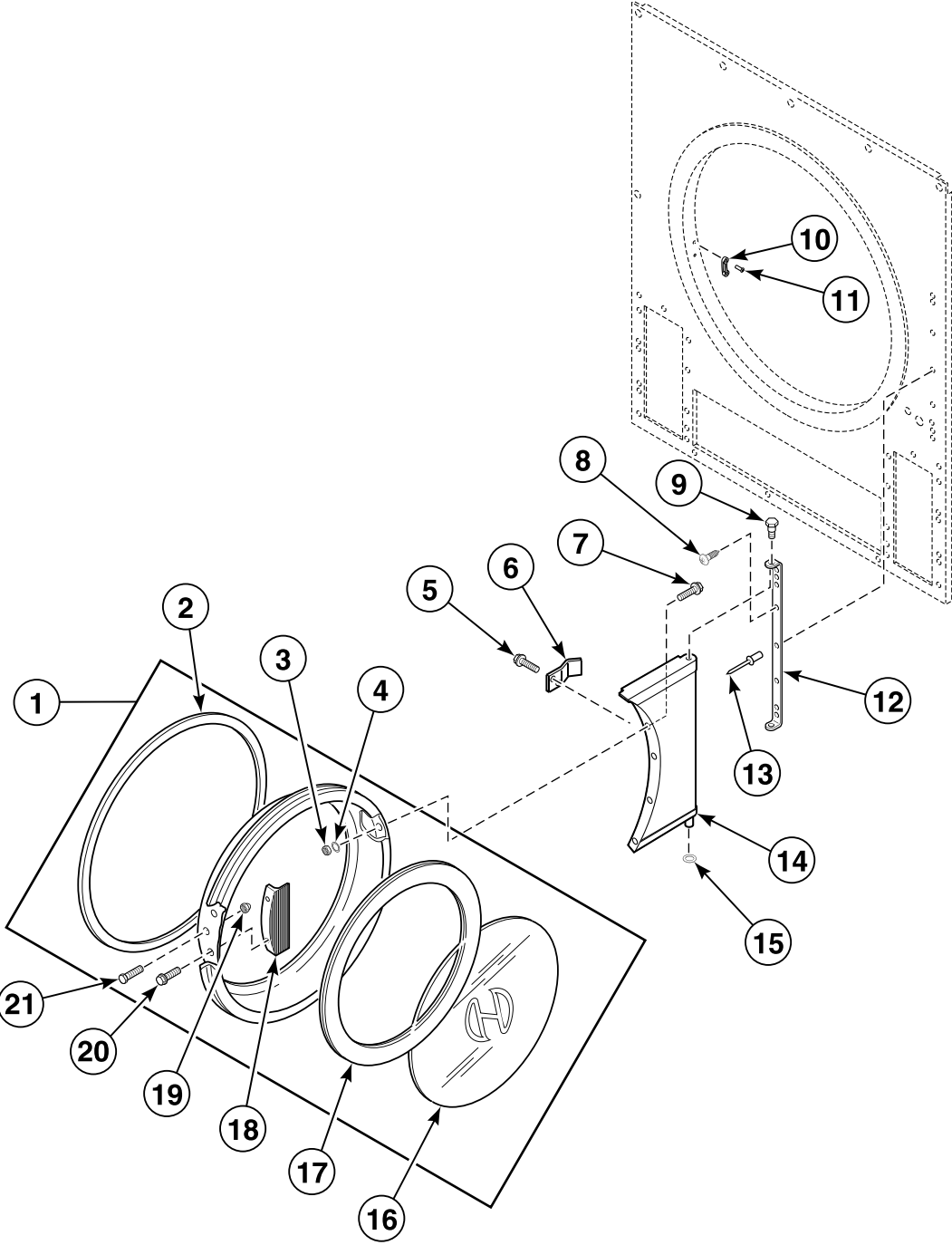
TMB2102P_M412907

Loading Door - Models SCD32DG and STD32DG

REF	PART NO.	DESCRIPTION	COMMENTS
1	430475	Door Assembly	
2	M406129	Door Ring Gasket	
3	23951	Nut	
4	430497	Screw	
5	431089	Door Switch Tab	
6	M400044	Screw	
7	M402585	Screw	
8	M400653	Hinge Pin	
9	M401223	Door Latch	
10	M400003	Pop Rivet	
11	431000*	Hinge Bracket	Included with front panel
	431044	Hinge Bracket	Stainless steel; Included with front panel
12	M410762	Pop Rivet	
13	M402714*	Door Hinge Assembly	
	M400514	Hinge Assembly	Stainless steel
14	M400675	Washer	
15	M400784P	Door Glass	
16	M409385	Screw	
17	430117	Door Handle	
18	70211901P	Door Glass Seal Kit	
19	430649	Door Plug	
20	M400661	Screw	
21	430756	Screw	

* Add Letter To Designate Color. B - Battina Green H - Harvest Gold K - Red L - Almond P - Turquoise V - Orange
W - White X - Electric Blue

Loading Door - Models JCD32DG and JTD32DG



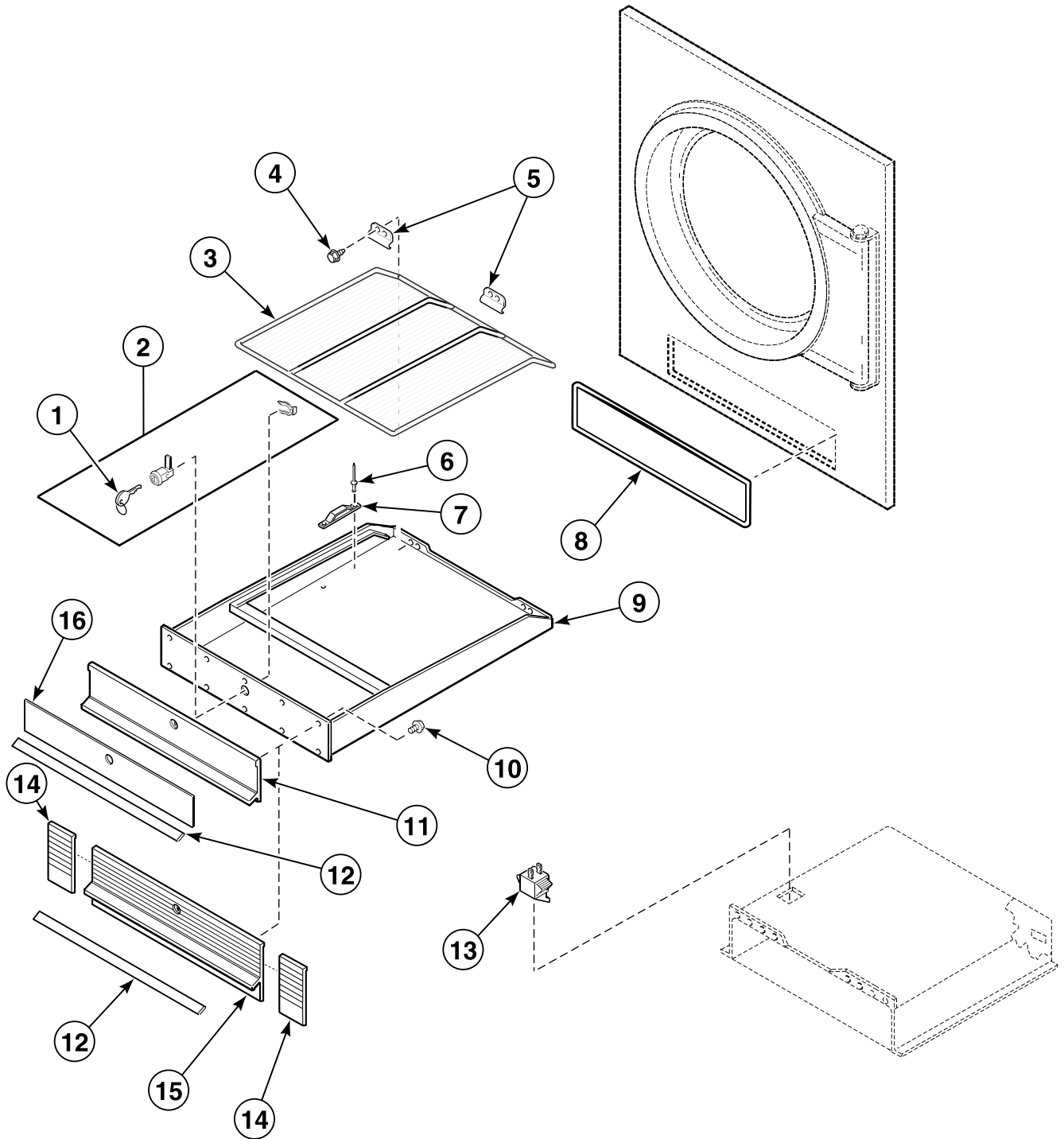
TMB2103P_M412907

Loading Door - Models JCD32DG and JTD32DG

REF	PART NO.	DESCRIPTION	COMMENTS
1	M410887	Door Assembly	
2	M406129	Door Ring Gasket	
3	Q6163	Nut	
4	03815	Washer	
5	430497	Screw	
6	431089	Door Switch Tab	
7	M400044	Screw	
8	M402585	Screw	
9	M400653	Hinge Pin	
10	M401223	Door Latch	
11	M400003	Pop Rivet	
12	431000*	Hinge Bracket	Included with front panels
	431044	Hinge Bracket	Stainless steel
13	M410762	Pop Rivet	
14	M402714*	Door Hinge Assembly	
	M400514	Hinge Assembly	Stainless steel
15	M400675	Washer	
16	70133601P	Door Glass	
17	70211901P	Door Glass Seal Kit	
18	70133501P	Replacement Door Handle Kit	
19	M414215	Nut	
20	M409385	Screw	
21	430756	Screw	

* Add Letter To Designate Color. B - Battina Green H - Harvest Gold K - Red L - Almond P - Turquoise V - Orange
W - White X - Electric Blue

Lint Drawer



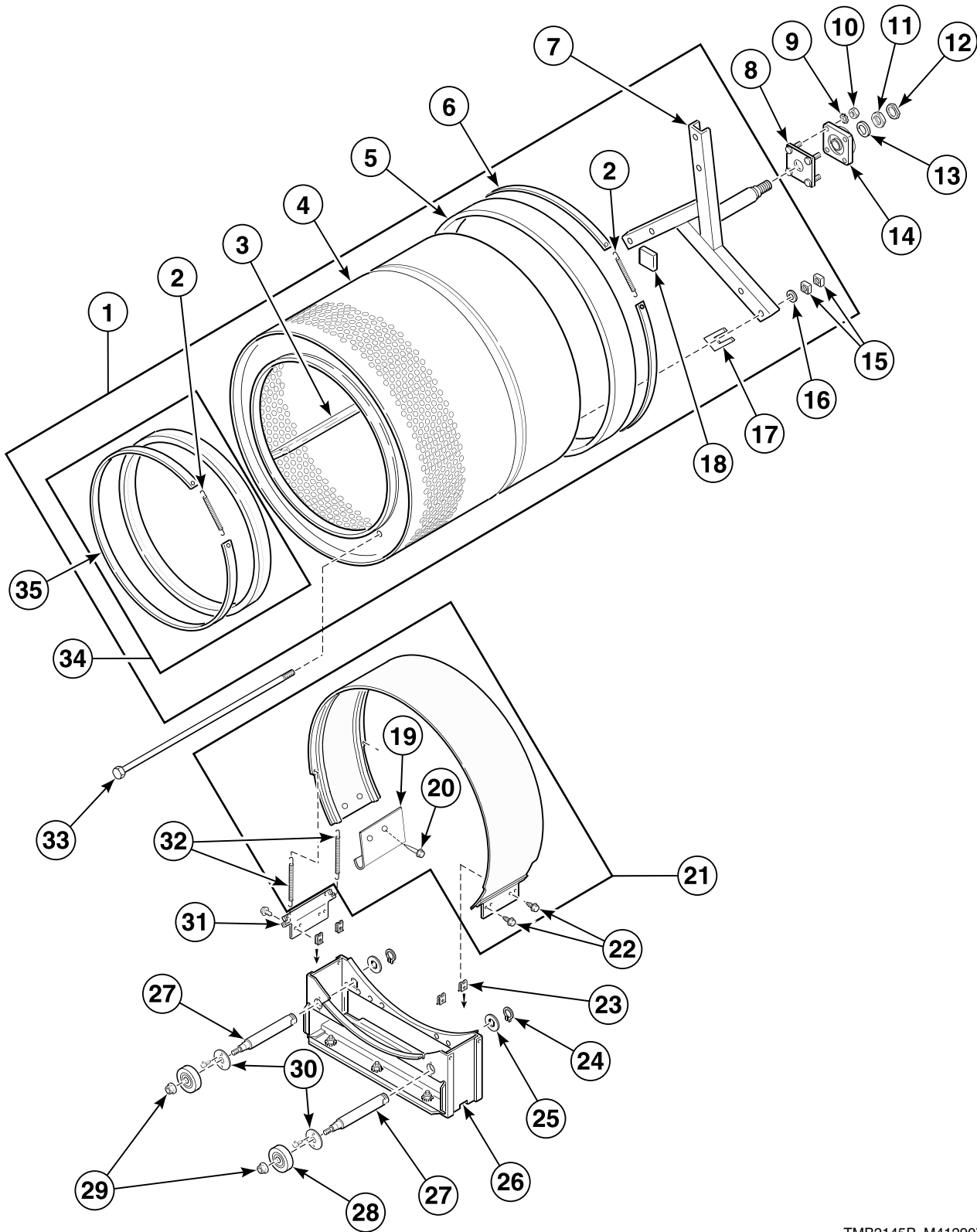
TMB2153P_M412907

Lint Drawer

REF	PART NO.	DESCRIPTION	COMMENTS
	44089301P	Lock, Key and Nut Kit	RL001; Can be used to replace items 1 and 2
	44089302P	Lock, Key and Nut Kit	RL002; Can be used to replace items 1 and 2
1	M401680	Panel Key	
2	430429P	Lock and Key	
3	431215	Lint Screen Frame Assembly	Includes frame and lint screen
4	51780	Screw	
5	430126	Lint Screen Bracket	
6	430489	Blind Rivet	
7	431273	Actuator Switch Block	
8	430638P	Lint Drawer Seal	
9	N/A	Lint Drawer Assembly	
10	430757	Screw	
11	430385	Front Plate	Upper; Models SCD32DG and STD32DG
	431002	Front Plate	Upper; Models JCD32DG and JTD32DG
12	430527	Lint Compartment Label	Models SCD32DG and STD32DG
	N/A	Lint Compartment Label	Models JCD32DG and JTD32DG
13	431159	Lint Drawer Switch	
14	431001	Kickplate Extension	
15	431003	Front Plate	Lower
16	431233	Lint Drawer Overlay	Models SCD32DG and STD32DG
	431235	Lint Drawer Overlay	Models JCD32DG and JTD32DG

N/A = Part no longer available

Cylinder



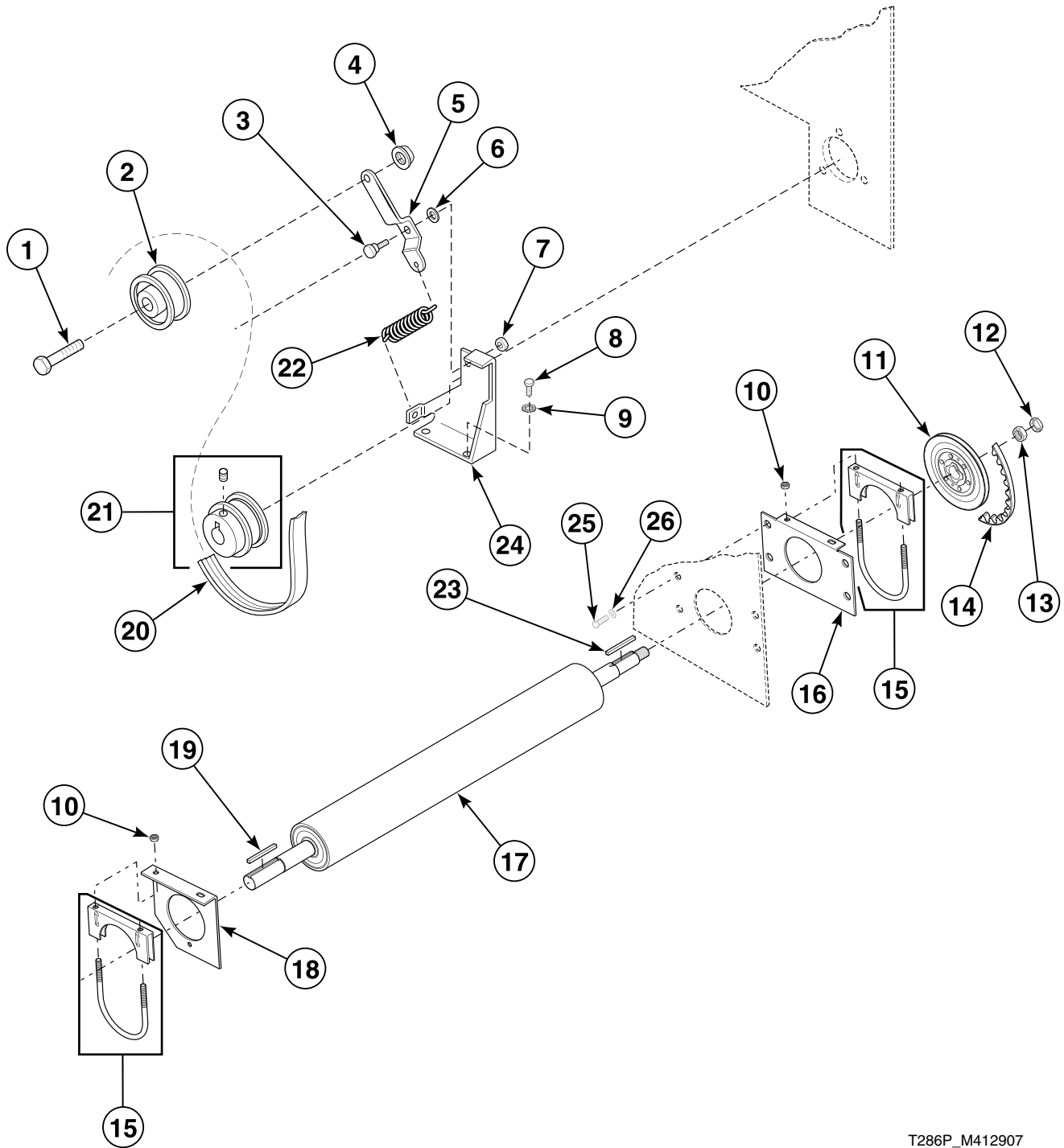
TMB2145P_M412907

Cylinder

REF	PART NO.	DESCRIPTION	COMMENTS
1	430580P	Cylinder and Trunnion Assembly	
2	52310	Spring	
3	430099	Rib Assembly	
4	430929P	Cylinder Assembly	
5	430105P	Seal Kit	Includes adhesive
6	430355P	Seal Strap	
7	430219	Trunnion Assembly	
8	430352	Cylinder Bearing Stud Plate Assembly	
9	02834	Washer	
10	02428	Nut	
11	M400022	Nut	
12	M400034	Nut	
13	M400991	Washer	
14	430260P	Support Housing Bearing Assembly	
15	M401930	Nut	
16	M401947	Washer	
17	M401402	Spacer	
18	M402144	Felt Pad	
19	N/A	Sweep Sheet Bumper Kit	
20	M400003	Pop Rivet	
21	430884P	Sweep Sheet Kit	
22	33561	Screw	
23	F430264	Nut	4 required
24	70061	Retaining Ring	2 required
25	N/A	Washer	2 required
26	N/A	Air Duct Roller Support Assembly	
27	431315	Roller Shaft	2 required
28	430019	Roller Bearing Assembly	2 required
29	430576	Nut	2 required
30	431314	Roller Shaft Retainer	2 required
31	431361	Bracket	
32	430954	Spring	
33	N/A	Cylinder Rib Rod	
34	430844P	Front Seal Kit	Includes strap
35	430845P	Front Cylinder Seal Strap	

N/A = Part no longer available

Drive Shaft



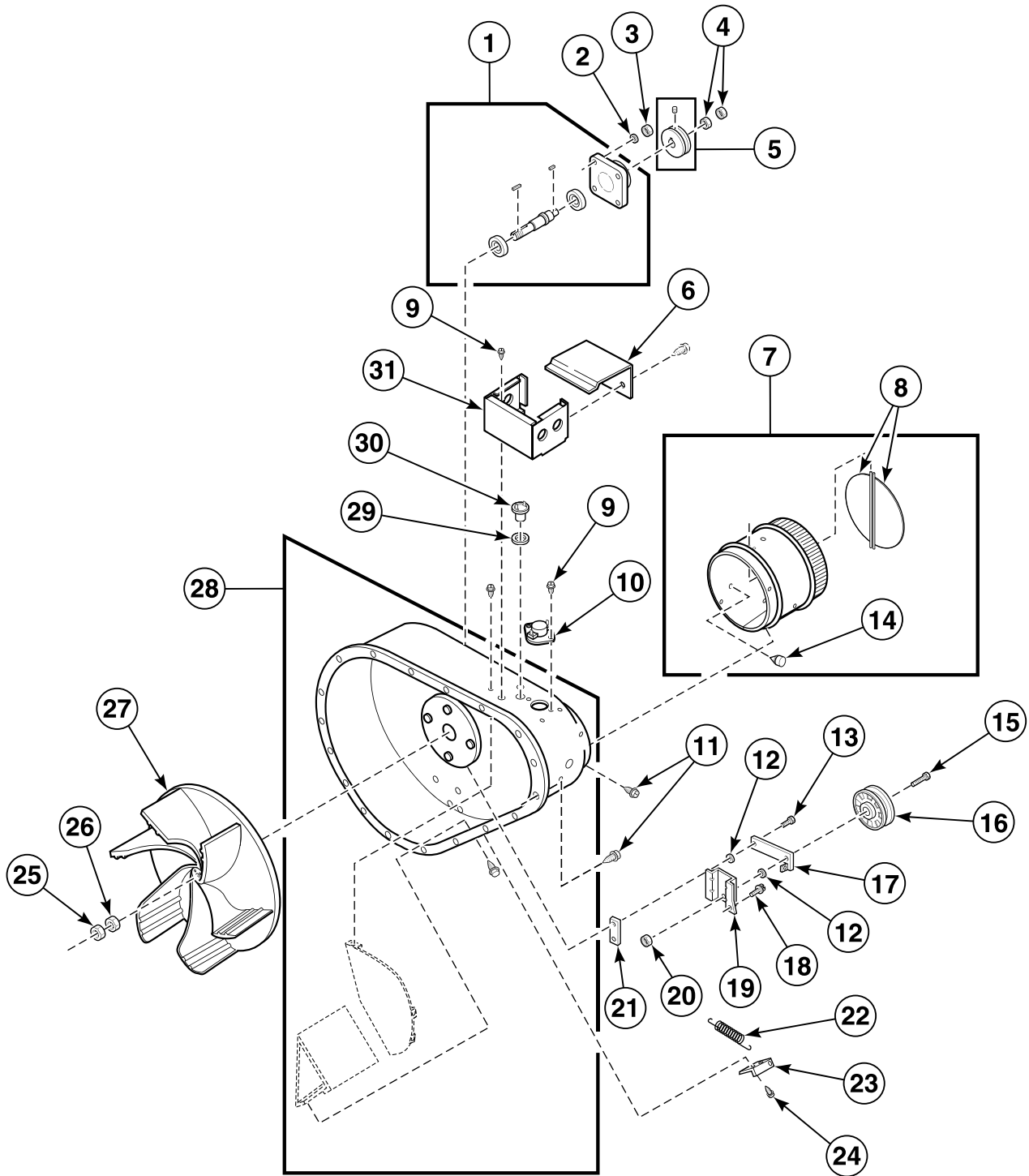
T286P_M412907

Drive Shaft

REF	PART NO.	DESCRIPTION	COMMENTS
1	430648	Screw	
2	430619	Drum Idler Wheel Assembly	
3	431539	Screw	
4	56156	Nut	
5	430263	Cylinder Idler Arm	
6	430782	Washer	
7	52566	Nut	
8	02422	Screw	
9	M400017	Washer	
10	80116	Nut	
11	430800P	Sheave	Includes screw
12	M400034	Nut	
13	M400022	Nut	
14	430054	Belt	
15	430862P	U-Bolt Clamp Kit	
16	430857	Partition Reinforcing Plate	
17	430867	Jackshaft Assembly	
18	430856	Partition Reinforcing Plate	Front
19	M401327	Key	
20	430104P	Belt	
21	430050P	Pulley Kit	
22	N/A	Drum Idler Spring	
23	M400993	Key	
24	430193	Cylinder Idler Bracket	
25	M400057	Screw	
26	02834	Washer	

N/A = Part no longer available

Blower Housing and Fan



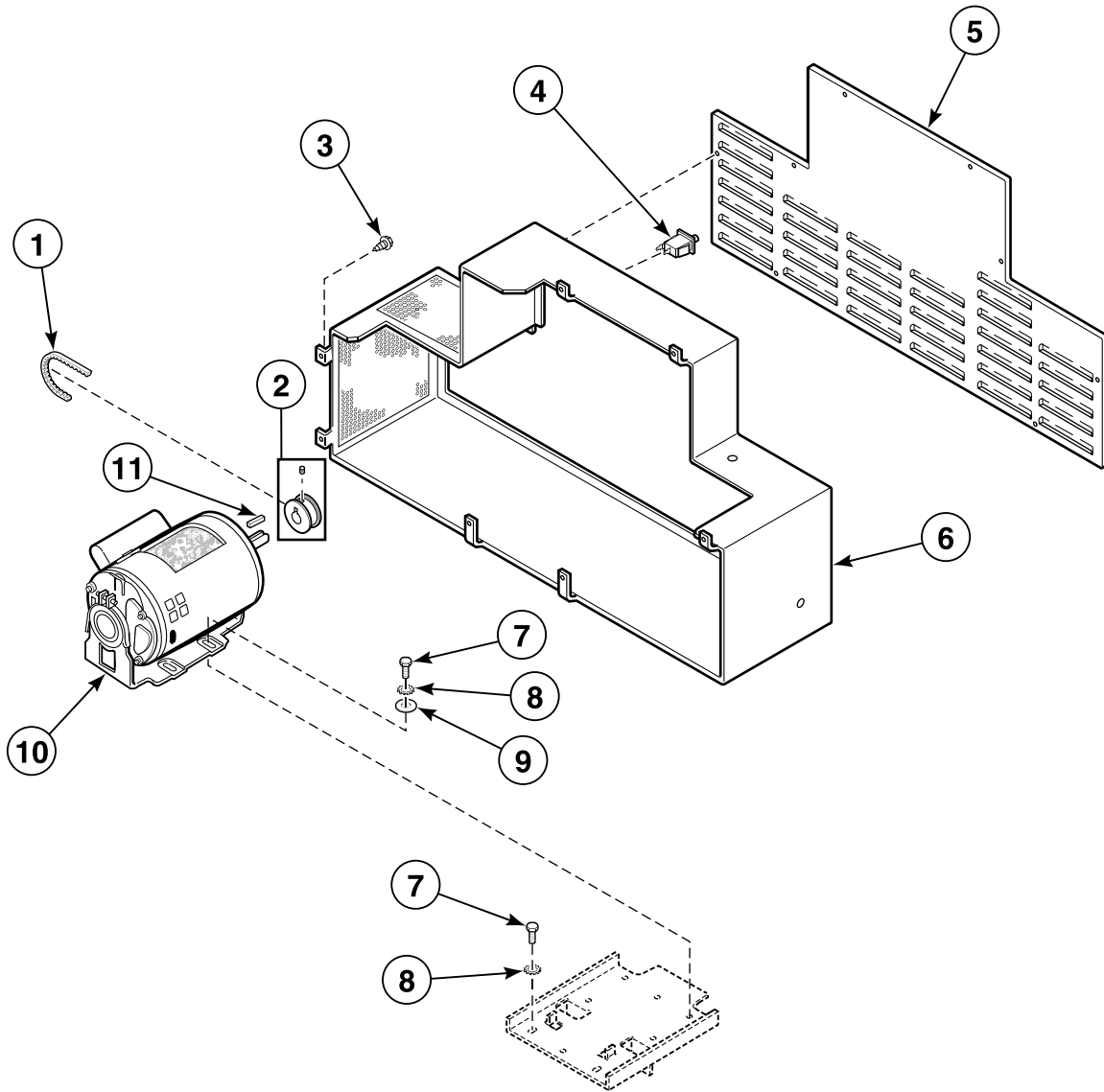
TMB2104P_M412907

Blower Housing and Fan

REF	PART NO.	DESCRIPTION	COMMENTS
	N/A	Cabinet High Limit Harness	
1	430853	Fan Shaft Assembly	Includes bearing, housing and pulley
2	02834	Washer	
3	02428	Nut	
4	430875	Nut	
5	N/A	Sheave with Screw	
6	N/A	Top and Front Cover	
7	430536P	Thimble and Vane Assembly	
8	430534	Vane Assembly	2 required
9	23962	Screw	
10	M406412	Limit Thermostat	
11	M405188	Screw	
12	430782	Washer	
13	431539	Screw	
14	M400795	Bumper	
15	430648	Screw	
16	430618	Drum Idler Wheel Assembly	
17	430250	Drive Idler Arm	
18	430757	Screw	
19	430442	Idler Pulley Bracket	
20	56156	Nut	
21	N/A	Spacer	
22	N/A	Spring	
23	N/A	Idler Spring Tab	
24	27196	Screw	
25	M400034	Nut	
26	M400022	Nut	
27	M410088P	Fan	Includes key
28	N/A	Blower Housing Assembly	
29	29443	Washer	
30	M414704	Thermistor	
31	430338	Side and Back Cover	

N/A = Part no longer available

Motor and Belt Guard



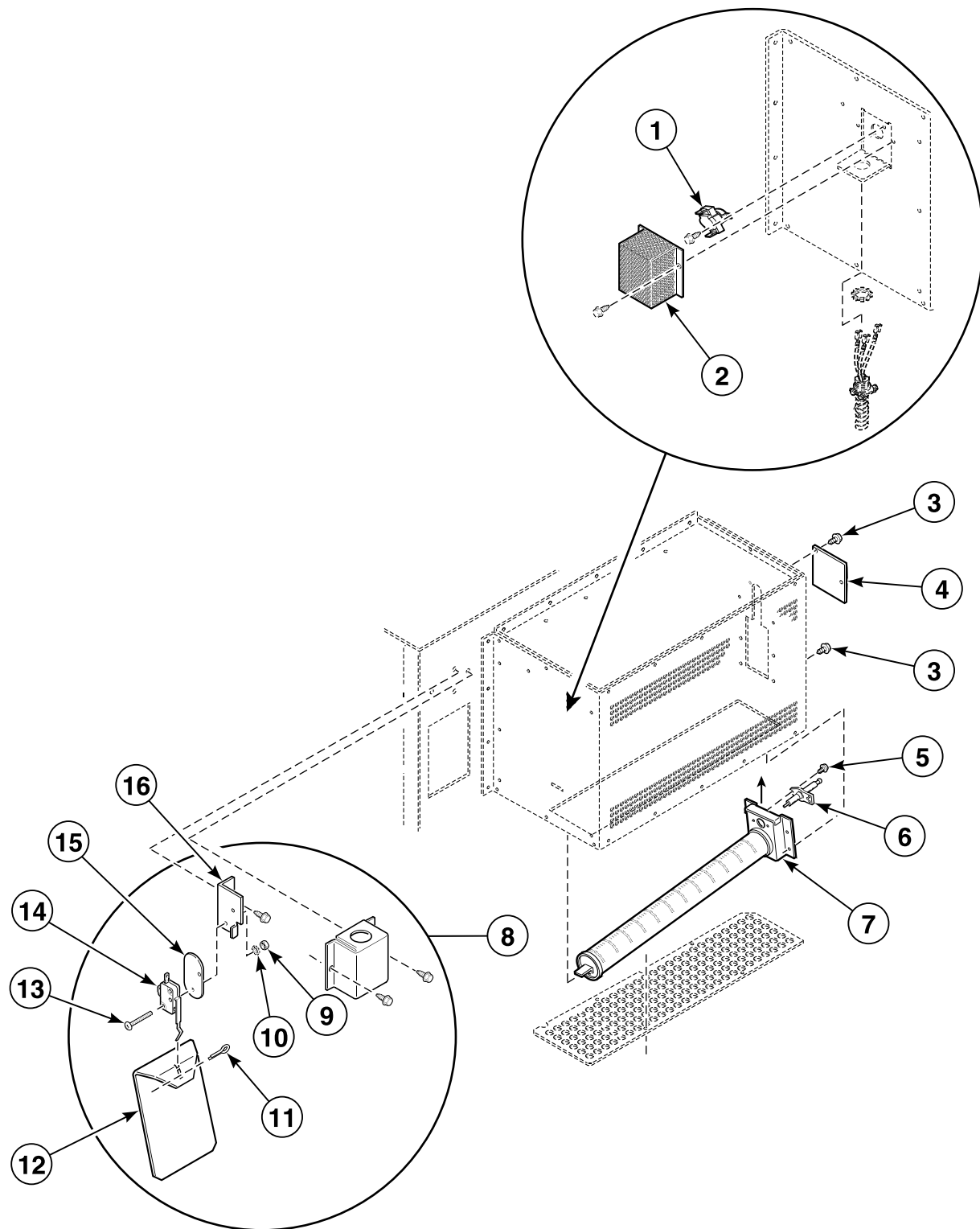
TMB2154P_M412907

Motor and Belt Guard

REF	PART NO.	DESCRIPTION	COMMENTS
	431546	Belt Guard Cover	Later models
	M410302	Motor Capacitor	
	N/A	Motor Wire Harness Assembly	120 Volt/50 or 60 Hertz; 208-240 Volt/60 Hertz; 240 Volt/50 Hertz
1	430054	Belt	
2	N/A	Sheave	60 Hertz; Includes screw
	N/A	Sheave	50 Hertz; Includes screw
3	430497	Screw	
4	431159	Lint Drawer Switch	Belt guard
5	430525	Belt Guard	
6	N/A	Belt Guard Wrap	Earlier models; Replace using M4612P3 Belt Guard Kit; Includes wrap and cover
	431545	Belt Guard Wrap	Later models
7	M400057	Screw	
8	02834	Washer	
9	M400080	Washer	
10	431325P	Motor	60 Hertz
	430426	Motor	50 Hertz
11	M401327	Key	

N/A = Part no longer available

Thermostat and Burner



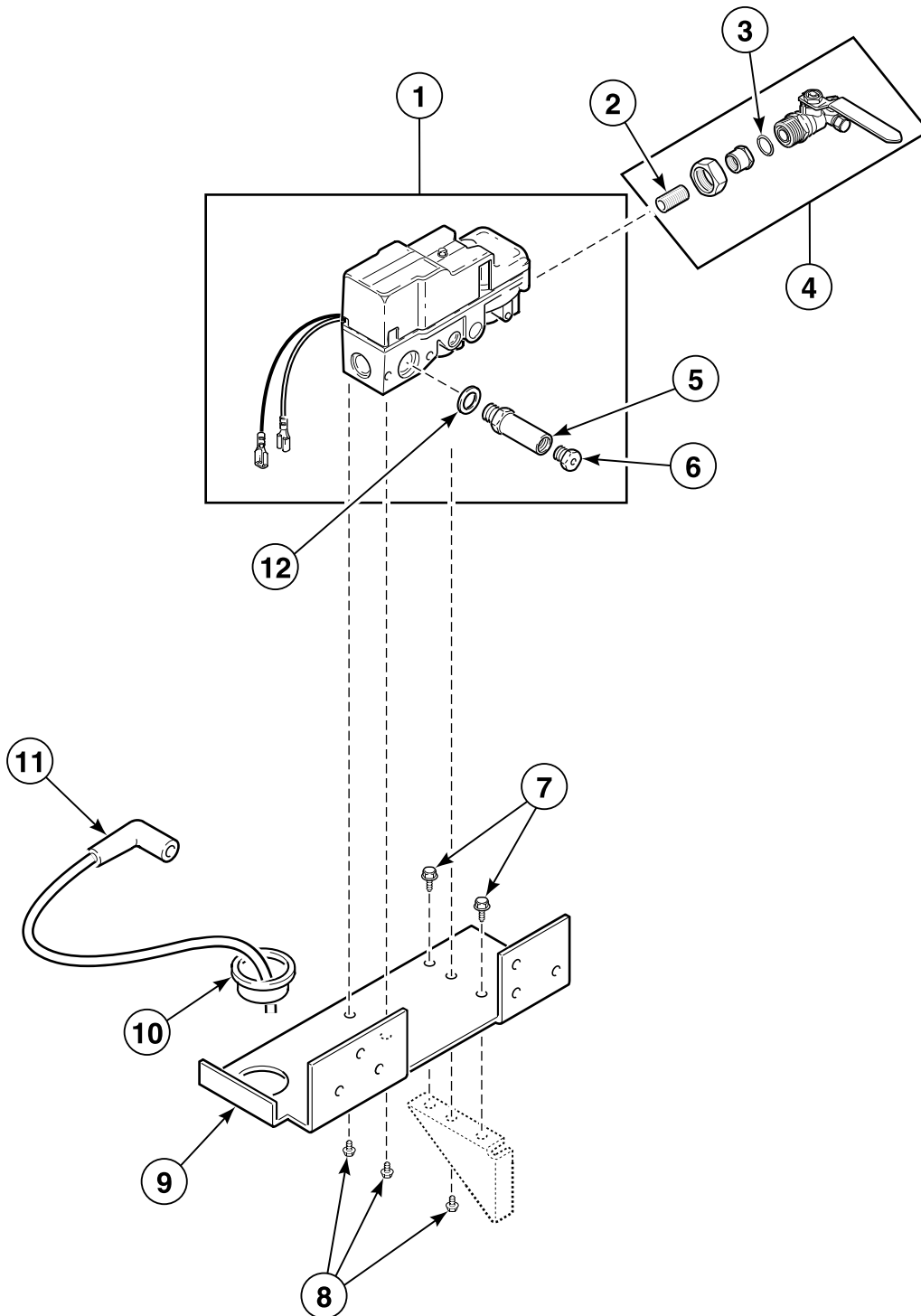
TMB2105P_M412907

Thermostat and Burner

REF	PART NO.	DESCRIPTION	COMMENTS
	N/A	Airflow Switch Harness	
	N/A	Stove Wire Harness Assembly	
1	431177	Stove Limit Thermostat	
2	M414477	Thermostat Cover	
3	430497	Screw	
	431287	Screw	
4	430375	Burner Plate Cover	
5	56693	Screw	
6	430317P	Spark Igniter	
7	430506	Burner Assembly	
8	430369P	Airflow Switch Kit	
9	70072901	Nut	
10	51345	Washer	
11	02470	Cotter Pin	
12	430372	Airflow Switch Vane	
13	M401938	Screw	
14	431431	Airflow Switch	
15	H96418728	Mounting Insulation	
16	430370	Airflow Switch Bracket	

N/A = Part no longer available

Gas Valve



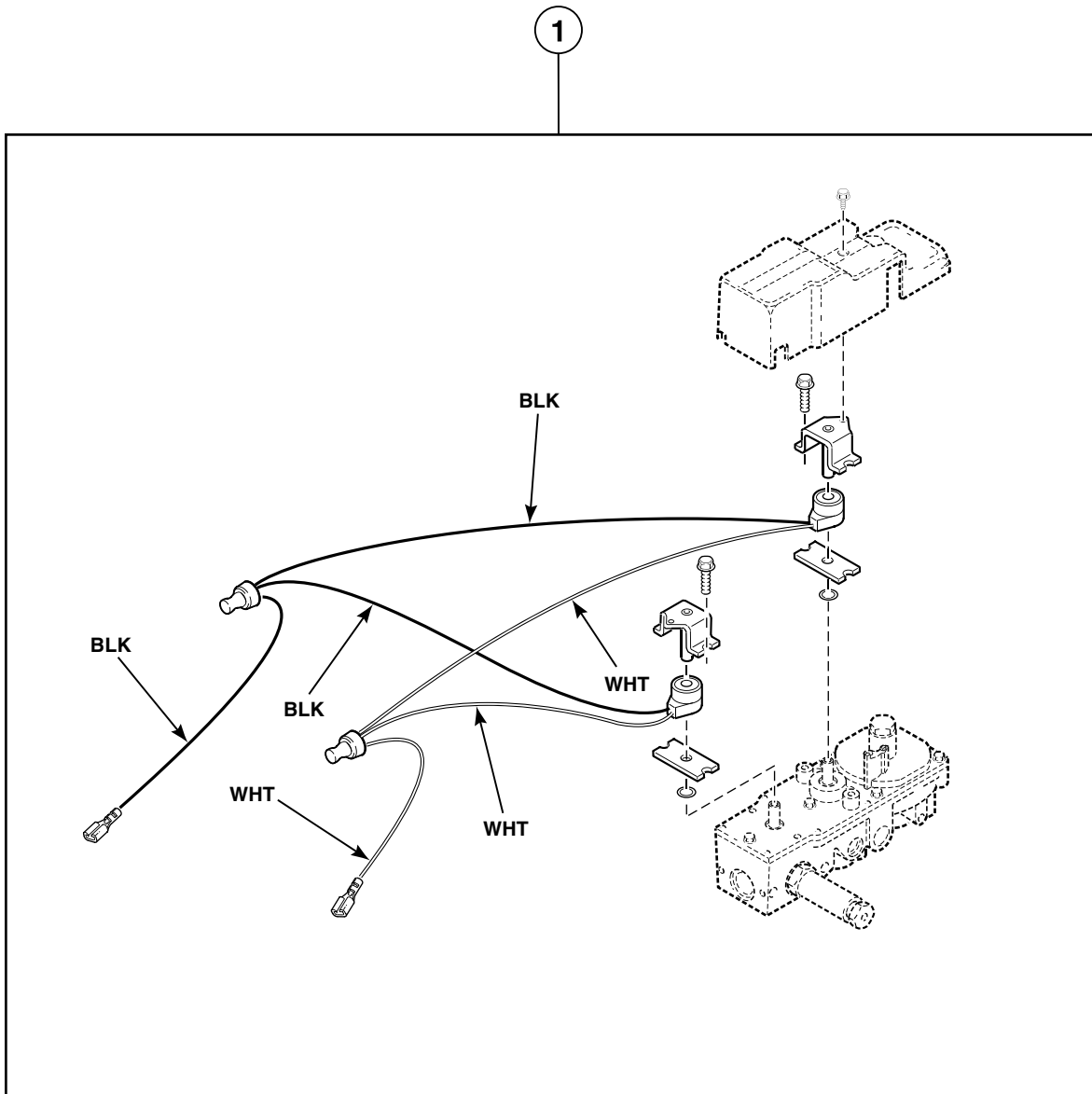
TMB2114P_M412907

Gas Valve

REF	PART NO.	DESCRIPTION	COMMENTS
	563P3	Conversion Kit	Natural Gas (N.G.) to Liquid Petroleum Gas (L.P.)
	550P3	Conversion Kit	L.P. to N.G.
1	867P3	N.G. Valve Replacement Kit	
	868P3	L.P. Valve Replacement Kit	
2	431182P	Shut-Off Valve Kit	
3	431182A	O-Ring	
4	431182P	Shut-Off Valve Kit	Includes union
5	N/A	Gas Valve Spud	
6	431191	Burner Orifice	N.G.; Models with White Rodgers gas valves; 0-2,000 feet; Drill no. 24
	431192	Burner Orifice	N.G.; Models with White Rodgers gas valves; 2,001-4,000 feet; Drill no. 26
	430938	Burner Orifice	N.G.; Models with White Rodgers gas valves; 4,001-6,000 feet; Drill no. 27
	N/A	Burner Orifice	N.G.; Models with White Rodgers gas valves; 6,001-8,000 feet; Drill no. 28
	N/A	Burner Orifice	N.G.; Models with White Rodgers gas valves; 8,001-10,000 feet; Drill no. 29
	430938	Burner Orifice	N.G.; Models with White Rodgers gas valves; 0-2,000 feet; Drill no. 27
	N/A	Burner Orifice	Town Gas; L.P.; Models with White Rodgers gas valves; 0-2,000 feet; Drill no. V
	431010	Burner Orifice	L.P.; Models with White Rodgers gas valves; 0-2,000 feet; 3/32 inches
	N/A	Burner Orifice	L.P.; Models with White Rodgers gas valves; 2,001-6,000 feet; Drill no. 43
	N/A	Burner Orifice	L.P.; Models with White Rodgers gas valves; 6,001-8,000 feet; Drill no. 44
	N/A	Burner Orifice	L.P.; Models with White Rodgers gas valves; 8,001-10,000 feet; Drill no. 46
	M402980	Burner Orifice	N.G.; Models with GM 7000 gas valves; 0-2,000 feet; Drill no. 24
	M401000	Burner Orifice	N.G.; Models with GM 7000 gas valves; 2,001-4,000 feet; Drill no. 26
	M400998	Burner Orifice	N.G.; Models with GM 7000 gas valves; 4,001-6,000 feet; Drill no. 27
	M401014	Burner Orifice	N.G.; Models with GM 7000 gas valves; 6,001-8,000 feet; Drill no. 28
	M400997	Burner Orifice	N.G.; Models with GM 7000 gas valves; 8,001-10,000 feet; Drill no. 29
	M406184	Burner Orifice	L.P.; Models with GM 7000 gas valves; 0-6,000 feet; Drill no.43
	M401011	Burner Orifice	L.P.; Models with GM 7000 gas valves; 6,001-8,000 feet; Drill no. 44
	M401003	Burner Orifice	L.P.; Models with GM 7000 gas valves; 8,001-10,000 feet; Drill no. 46
7	430497	Screw	
8	23962	Screw	
9	N/A	Gas Valve Bracket	
10	M402542	Snap Bushing	
11	430257	High Voltage Lead	
12	N/A	Gas Valve Gasket	

N/A = Part no longer available

Gas Valve Coils

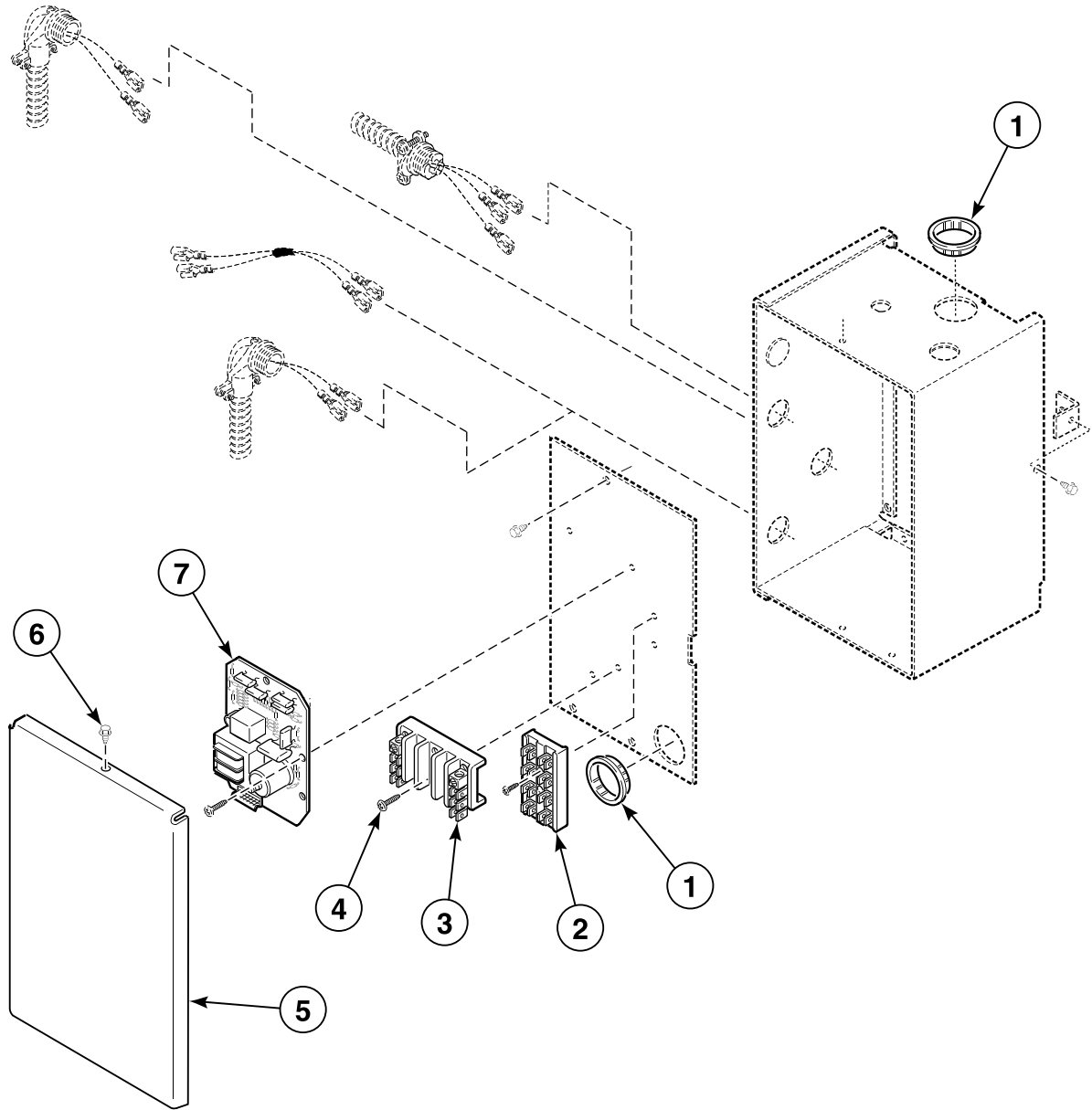


TMB2115P_M412907

Gas Valve Coils

REF	PART NO.	DESCRIPTION	COMMENTS
1	M409253P	Instant Electronic Ignition Valve Coil Kit	Single input

Junction Box - 120, 208 or 240 Volt/60 Hertz



TMB2120P_M412907

Junction Box - 120, 208 or 240 Volt/60 Hertz

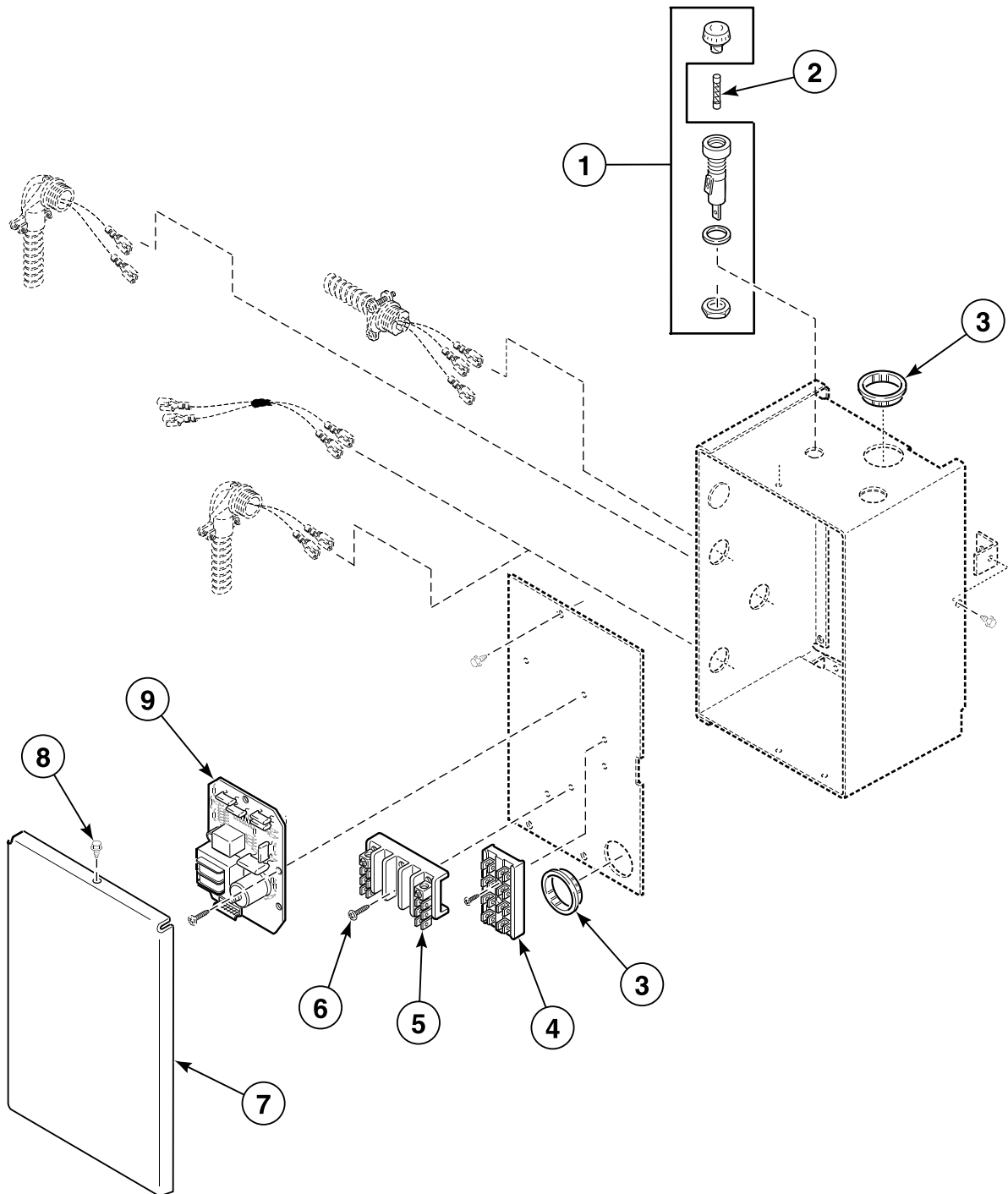
REF	PART NO.	DESCRIPTION	COMMENTS
	430223	Instant Electronic Ignition Wire Harness Assembly	
1	M402542	Snap Bushing	
2	N/A	Jumper Block	
3	430641	Terminal Block	120 Volt
	430642	Terminal Block	208 or 240 Volt
4	51778	Screw	
5	430554	Junction Box Cover	
6	430497	Screw	
7	M406789P	Ignition Control	

N/A = Part no longer available

NOTE: Individual wires are not available separately. Order complete harness, or order wire by the foot. When applying terminals to wires, it is recommended that the terminals be soldered to the wires.

Junction Box - 240 Volt/50 Hertz or 220 Volt/60 Hertz

2 Wire



TMB2150P_M412907

Junction Box - 240 Volt/50 Hertz or 220 Volt/60 Hertz

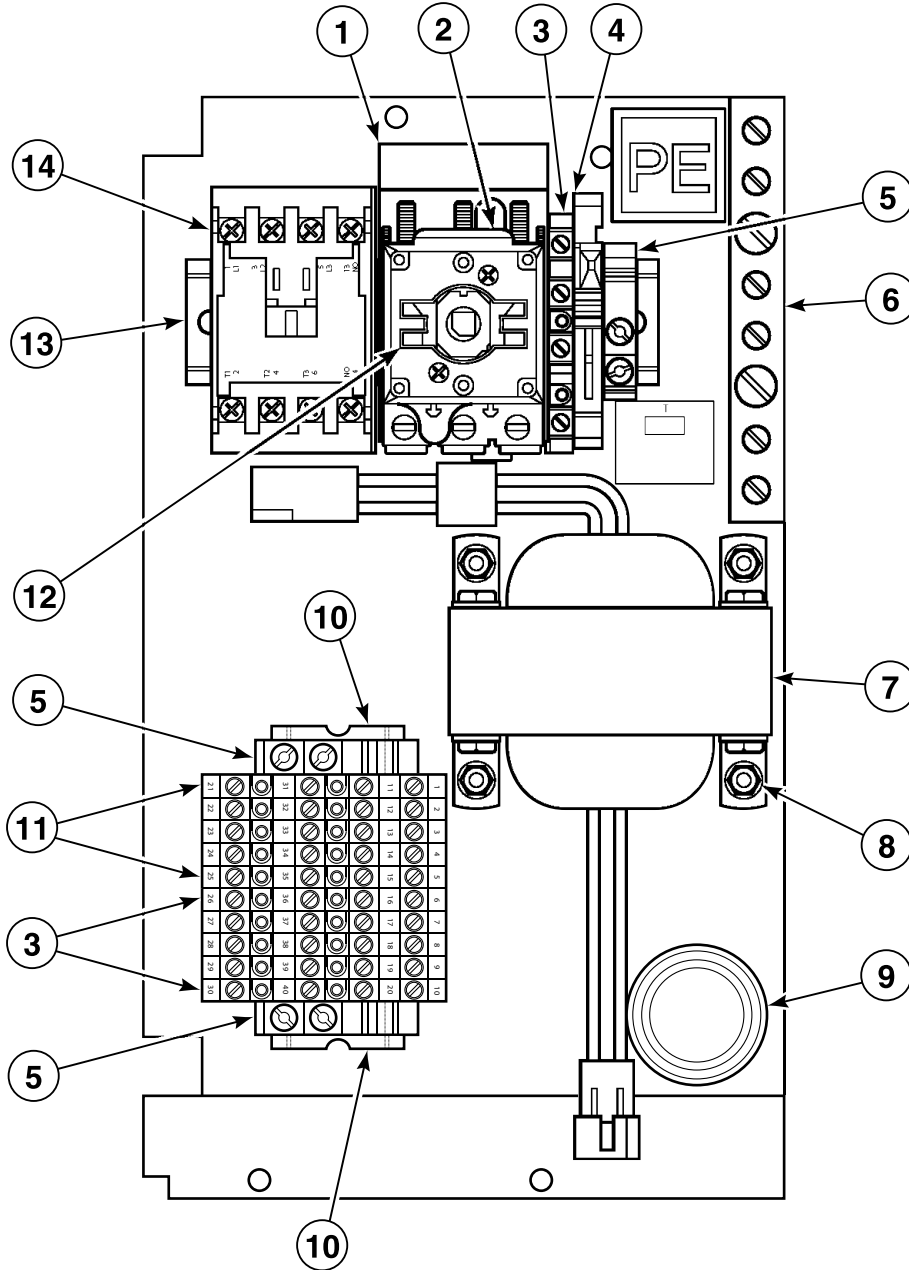
REF	PART NO.	DESCRIPTION	COMMENTS
	N/A	Transformer	
	430223	Instant Electronic Ignition Wire Harness Assembly	
1	91024P	Fuse Receptacle	Located in upper junction box only
2	430836	Fuse	Located in upper junction box only; 3/4 Amp; 250 Volt
3	M402542	Snap Bushing	
4	N/A	Jumper Block	
5	430642	Terminal Block	
6	51778	Screw	
7	430554	Junction Box Cover	
8	430497	Screw	
9	M406789P	Ignition Control	

N/A = Part no longer available

NOTE: Individual wires are not available separately. Order complete harness, or order wire by the foot. When applying terminals to wires, it is recommended that the terminals be soldered to the wires.

Contactor Box

CE Models
230 Volt/50 Hertz/1 Phase



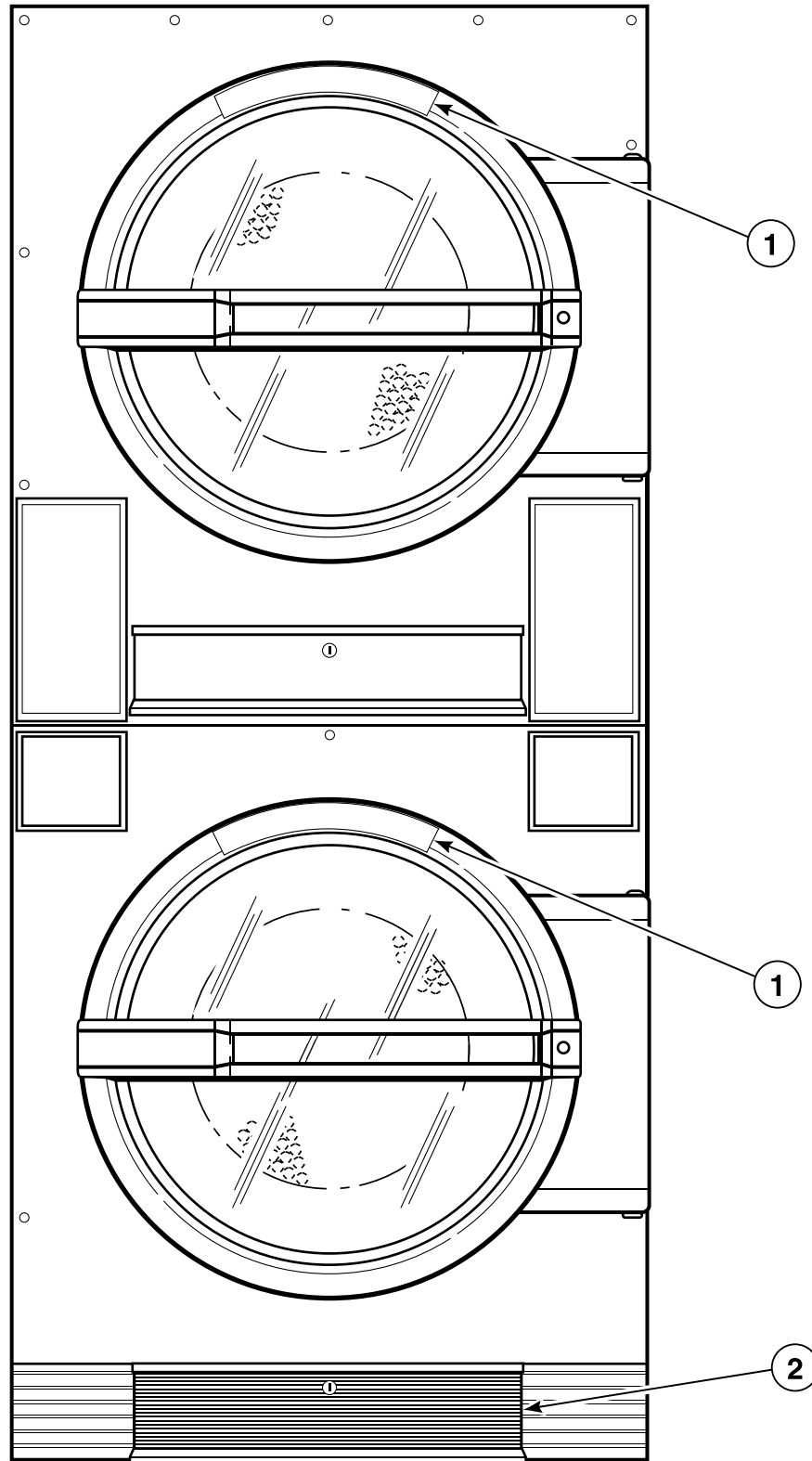
TMB2107P_M412907

Contactor Box

REF	PART NO.	DESCRIPTION	COMMENTS
	M412688	Nut	
	502593	Fuse	.4 Amp
	M412633	End Barrier	
1	M412366	Finger Guard	Upper unit only
2	M412187	Mounting Switch Base	Upper unit only; Disconnect
3	M412632	Terminal Block	1 circuit
4	M412537	Terminal Block	
5	70121001	End Stop	230 Volt
6	M412656	Ground Buss Assembly	
7	M412477P	Transformer	230 Volt
8	51780	Screw	
9	M402542	Snap Bushing	
10	M412692	Din Rail	88.9 mm
11	M412631	Terminal Block	2 circuit
12	431515	Modified Extension	
13	N/A	Din Rail	127 mm
14	M412404P	Contactor	Motor; 9 Amp

N/A = Part no longer available

Stickers and Labels - Front of Machine

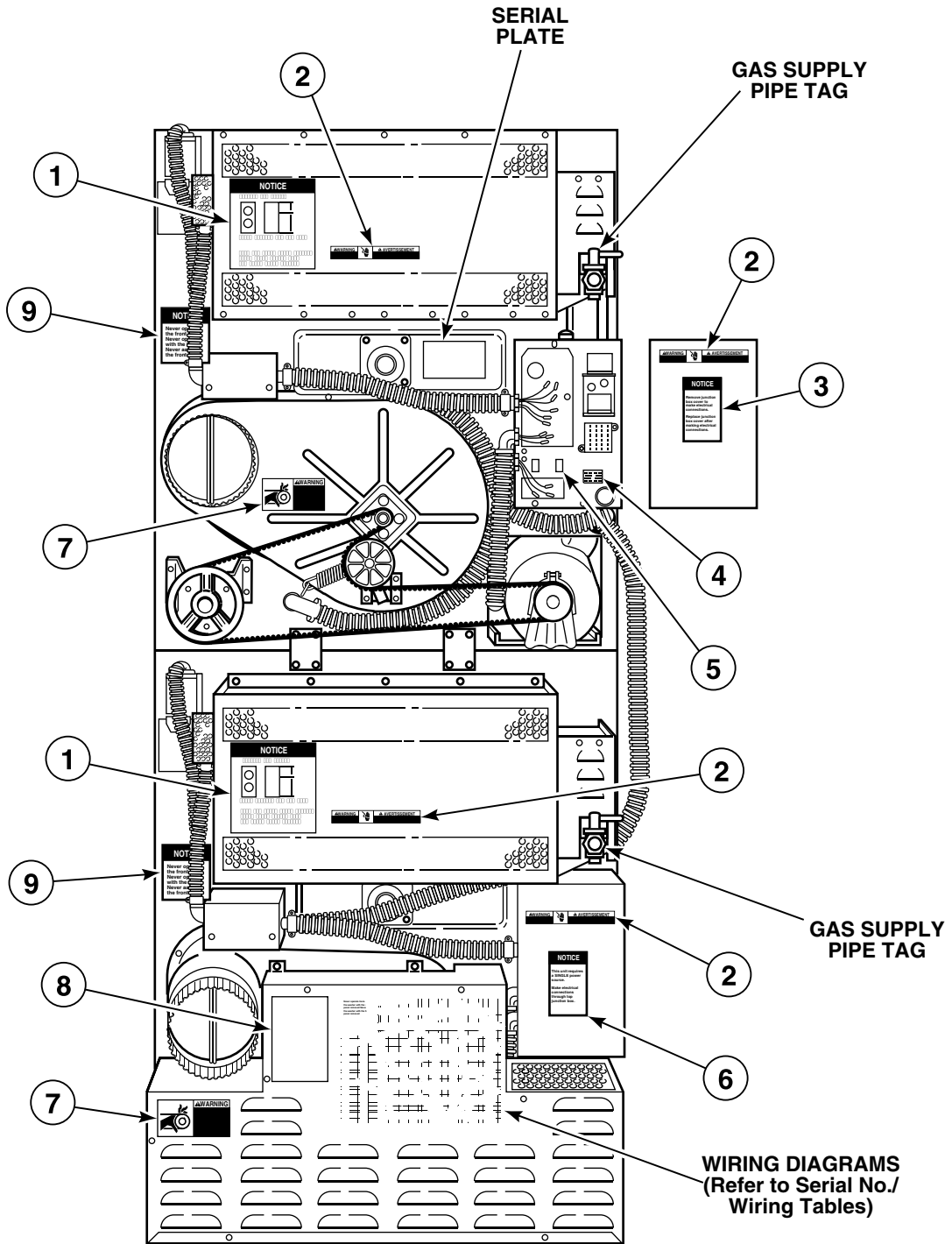


T310P_M412907

Stickers and Labels - Front of Machine

REF	PART NO.	DESCRIPTION	COMMENTS
1	M410892	Warning Label	Drying warning; Located on front panel behind door
2	500316	Warning Label	Located under lint drawer

Stickers and Labels - Rear of Machine



TMB2116P_M412907

Stickers and Labels - Rear of Machine

REF	PART NO.	DESCRIPTION	COMMENTS
1	N/A	Installation Notice	
2	500316	Warning Label	
3	N/A	Junction Box Notice Sticker	
4	M403047	Secure Ground Label	Electrical ground marker
5	N/A	Wire Marker	
6	N/A	Power Source Notice Sticker	Single
7	N/A	Belt Warning Sticker	
8	M411815	Vent and Thimble Caution Label	Venting warning
9	N/A	Thimble Notice	

N/A = Part no longer available

Parts Index

A

Actuator Switch Block 431273	19
Airflow Switch 431431	29
Airflow Switch Bracket 430370	29
Airflow Switch Kit 430369P	29
Airflow Switch Vane 430372	29

B

Belt 430054	23, 27
430104P	23
Belt Guard 430525	27
Belt Guard Cover 431546	27
Belt Guard Wrap 431545	27
Blind Rivet 430489	19
Bracket 431361	21
Bumper M400795	25
Burner Assembly 430506	29
Burner Orifice M400997	31
M400998	31
M401000	31
M401003	31
M401011	31
M401014	31
M402980	31
M406184	31
430938	31
431010	31
431191	31
431192	31
Burner Plate Cover 430375	29

C

Circuit Board Support 34896	9
Coin Drop M411607	7
431624P	7
431631	7
70265301	7

Coin Drop Key 430664	5
Coin Meter M402508-12	9
M402508-14	9
M402508-34	9
M402508-36	9
M405138P	9
Coin Vault Assembly 44102801	11
Contactora M412404P	39
Control Harness Assembly 431392P	5
Control Housing Seal 431213	5
Control Kit M411883P	5
M414050P	5
Control Mounting Bracket 431371	9
Control Panel Door 431516	5
Control Panel Door Assembly 431359	9
Control Panel Overlay 431232	5
431234	5
431297	5
431298	5
70379901	5
70380001	5
70380101	5
70380201	5
Conversion Kit 550P3	31
563P3	31
Cotter Pin 02470	29
Cylinder and Trunnion Assembly 430580P	21
Cylinder Assembly 430929P	21
Cylinder Bearing Stud Plate Assembly 430352	21
Cylinder Idler Arm 430263	23
Cylinder Idler Bracket 430193	23

D

Din Rail M412692	39
Door Assembly M410887	17
430475	15
Door Glass M400784P	15
70133601P	17

N/A items do not appear in index.

Door Glass Seal Kit 70211901P	15, 17
Door Handle 430117	15
Door Hinge Assembly M402714*	15, 17
Door Latch M401223	11, 15, 17
Door Overlay 431344	9
431367	9
Door Plug 430649	15
Door Ring Gasket M406129	15, 17
Door Switch M406103	13
Door Switch Bracket 431118	13
Door Switch Tab 431089	15, 17
Drive Idler Arm 430250	25
Drum Idler Wheel Assembly 430618	25
430619	23

E

End Barrier M412633	39
End Stop 70121001	39

F

Fan M410088P	25
Fan Shaft Assembly 430853	25
Felt Pad M402144	21
Finger Guard M412366	39
Front Cylinder Seal Strap 430845P	21
Front Panel Assembly 431221P	11
Front Plate 430385	19
431002	19
431003	19
Front Seal Kit 430844P	21
Fuse 430836	37
502593	39
Fuse Receptacle 91024P	37

G

Graphic Overlay M413338	9
Ground Buss Assembly M412656	39

H

High Voltage Lead 430257	31
Hinge Assembly M400514	15, 17
Hinge Bracket 431000*	11, 15, 17
431044	11, 15, 17
Hinge Pin M400653	15, 17

I

Idler Pulley Bracket 430442	25
Ignition Control M406789P	35, 37
Instant Electronic Ignition Valve Coil Kit M409253P	33
Instant Electronic Ignition Wire Harness Assembly 430223	35, 37

J

Jackshaft Assembly 430867	23
Jumper Harness Assembly 431393	9
Junction Box Cover 430554	35, 37

K

Key M400993	23
M401327	23, 27
Kickplate Extension 431001	19
Knob M400773	9
M410927	9

L

Limit Thermostat M406412	25
Lint Compartment Label 430527	19

N/A items do not appear in index.

Lint Drawer Overlay	
431233	19
431235	19
Lint Drawer Seal	
430638P	11, 19
Lint Drawer Switch	
431159	5, 19, 27
Lint Screen Bracket	
430126	19
Lint Screen Frame Assembly	
431215	19
Lock and Key	
430429P	19
Lock, Key and Nut Kit	
44089301P	5, 19
44089302P	5, 19
L.P. Valve Replacement Kit	
868P3	31

M

Magnet	
501453	5
Main Wire Harness Assembly	
431389P	5, 9
431390P	5, 9
Microprocessor Control Shadow Box	
431326	11
Microprocessor Door Lock	
430832P	5, 9
Microprocessor Wire Harness Assembly	
431391P	5, 9
Microprocessor Wire Harness Kit	
613P3	5, 9
Modified Extension	
431515	39
Motor	
430426	27
431325P	27
Motor Capacitor	
M410302	27
Mounting Insulation	
H96418728	29
Mounting Switch Base	
M412187	39

N

Nut	
F430264	21
M400022	21, 23, 25
M400034	21, 23, 25
M401930	21
M412688	39
M414215	17
Q6163	17
02428	21, 25
23951	15
29786	5
430576	21
430875	25
431045	13

52566	23
56156	23, 25
70054	9
70072901	29
80116	23
N.G. Valve Replacement Kit	
867P3	31

O

Opto Coupler	
200674P	7
200825P	7
O-Ring	
431182A	31

P

Panel Key	
M401680	19
Partition Reinforcing Plate	
430856	23
430857	23
Plate	
M413340	9
Pop Rivet	
M400003	11, 15, 17, 21
M410762	11, 15, 17
Potentiometer	
431353P	9
Pulley Kit	
430050P	23
Pushbutton Switch	
34536	11

R

Reed Switch	
34599	5
Relay	
431349	9
Replacement Door Handle Kit	
70133501P	17
Retaining Ring	
70061	21
Rib Assembly	
430099	21
Roller Bearing Assembly	
430019	21
Roller Shaft	
431315	21
Roller Shaft Retainer	
431314	21

S

Screw	
M400044	15, 17
M400057	23, 27

N/A items do not appear in index.

M400063	13
M400071	9
M400661	15
M401938	29
M402585	15, 17
M405188	25
M409385	15, 17
M411052	9
M411994	11
02422	23
23962	25, 31
27196	13, 25
28193	13
33561	21
430497	11, 15, 17, 27, 29, 31, 35, 37
430648	23, 25
430756	15, 17
430757	19, 25
431287	29
431539	23, 25
501524	5
51778	35, 37
51780	19, 39
56693	29
Seal Kit	
430105P	21
Seal Strap	
430355P	21
Secure Ground Label	
M403047	43
Shadow Box and Clip	
M400131P	11
Shadow Box Clip	
M400972	11
Sheave	
430800P	23
Shut-Off Valve Kit	
431182P	31
431206P	31
Side and Back Cover	
430338	25
Snap Bushing	
M402542	13, 31, 35, 37, 39
Spacer	
M401402	21
Spark Igniter	
430317P	29
Spring	
430954	21
52310	21
Stove Limit Thermostat	
431177	29
Support Housing Bearing Assembly	
430260P	21
Sweep Sheet Kit	
430884P	21
Switch Conversion Kit	
601P3	9
602P3	9
Switch Mounting Plate	
M411595	11

T

Temperature Knob	
431351	9
431357	9
Terminal Block	
M412537	39
M412631	39
M412632	39
430641	35
430642	35, 37
Thermistor	
M414704	25
Thermostat Cover	
M414477	29
Thermostat Module	
431346P	9
Thimble and Vane Assembly	
430536P	25
Timer	
M400791P	9
Transformer	
M412477P	39
Trunnion Assembly	
430219	21

U

U-Bolt Clamp Kit	
430862P	23

V

Vane Assembly	
430534	25
Vent and Thimble Caution Label	
M411815	43

W

Warning Label	
M410892	41
500316	41, 43
Washer	
M400017	23
M400080	27
M400675	15, 17
M400991	21
M401947	21
02834	21, 23, 25, 27
03815	17
29443	25
430782	23, 25
51345	29
