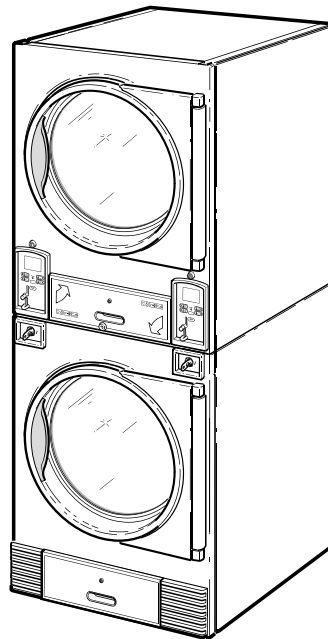


Drying Tumblers

Stacked 30 and 45 Pound Capacities

Models Starting Serial No. 0602004144

Refer to Page 3 for Model Numbers



T477C_70304801

Table of Contents

Title	Page
Parts Ordering Information.....	2
Serial Plate Location	2
Model Identification	3
Single Drop Control Components	4
Dual Digital Timer Components	6
DX4 Control Components	8
Coin Drop Components for MDC Models.....	10
Card Reader Components for MDC Models	12
Coin Drops	14
Electronic Coin Drop Components.....	16
Coin Drop Components for NetMaster Models	18
Card Reader Components for NetMaster Models.....	20
Network Board for NetMaster Models	22
Communication Board for NetMaster Models	24
Door and Hinge Components	26
Front Panel Assemblies and False Fronts	28
Cabinet Front Components	30
Emergency Stop Button for CE Models	32
Lint Drawer Components	34
Cylinder Components	36
Cabinet Components	38
Drive Motor Components	40
Blower and Exhaust Components.....	42
Gas Burner Housing and Secondary Stove Limit	44
Airflow Switch.....	46
Gas Valve and Piping - Non-CE and Non-Australian Gas Models.....	48
Gas Valve and Piping - CE and Australian Gas Models	50
Electric Heater Components	52
Steam Heater Components	54
Control Tray Components	56
Accessory Box Components	57
Parts Index.....	59

© Copyright 2006, Alliance Laundry Systems LLC

All rights reserved. No part of the contents of this book may be reproduced or transmitted in any form or by any means without the expressed written consent of the publisher.

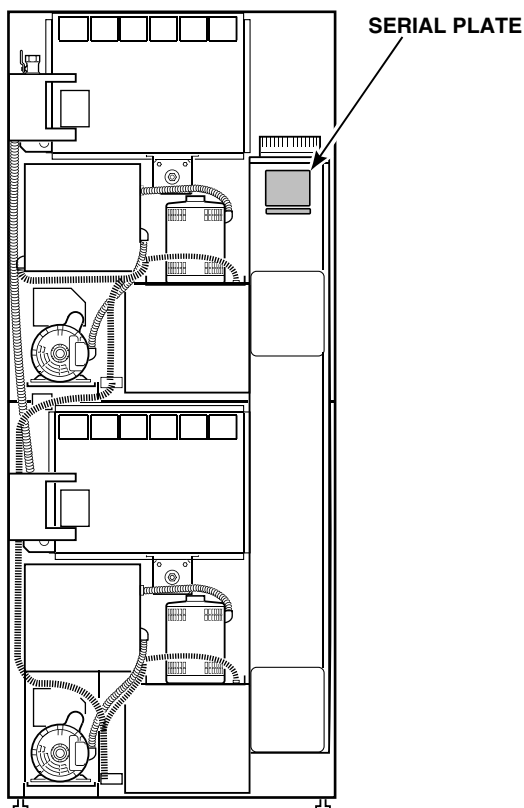
Parts Ordering Information

If literature or replacement parts are required, contact the source from whom the machine was purchased or contact Alliance Laundry Systems at (920) 748-3950 for the name and address of the nearest authorized parts distributor.

For technical assistance, call (920) 748-3121.

Serial Plate Location

When calling or writing about your product, be sure to mention model and serial numbers. Model and serial numbers are located on serial plate(s) as shown.



TMB1974N_70304801

Model Identification

Information in this manual is applicable to these tumbler models:

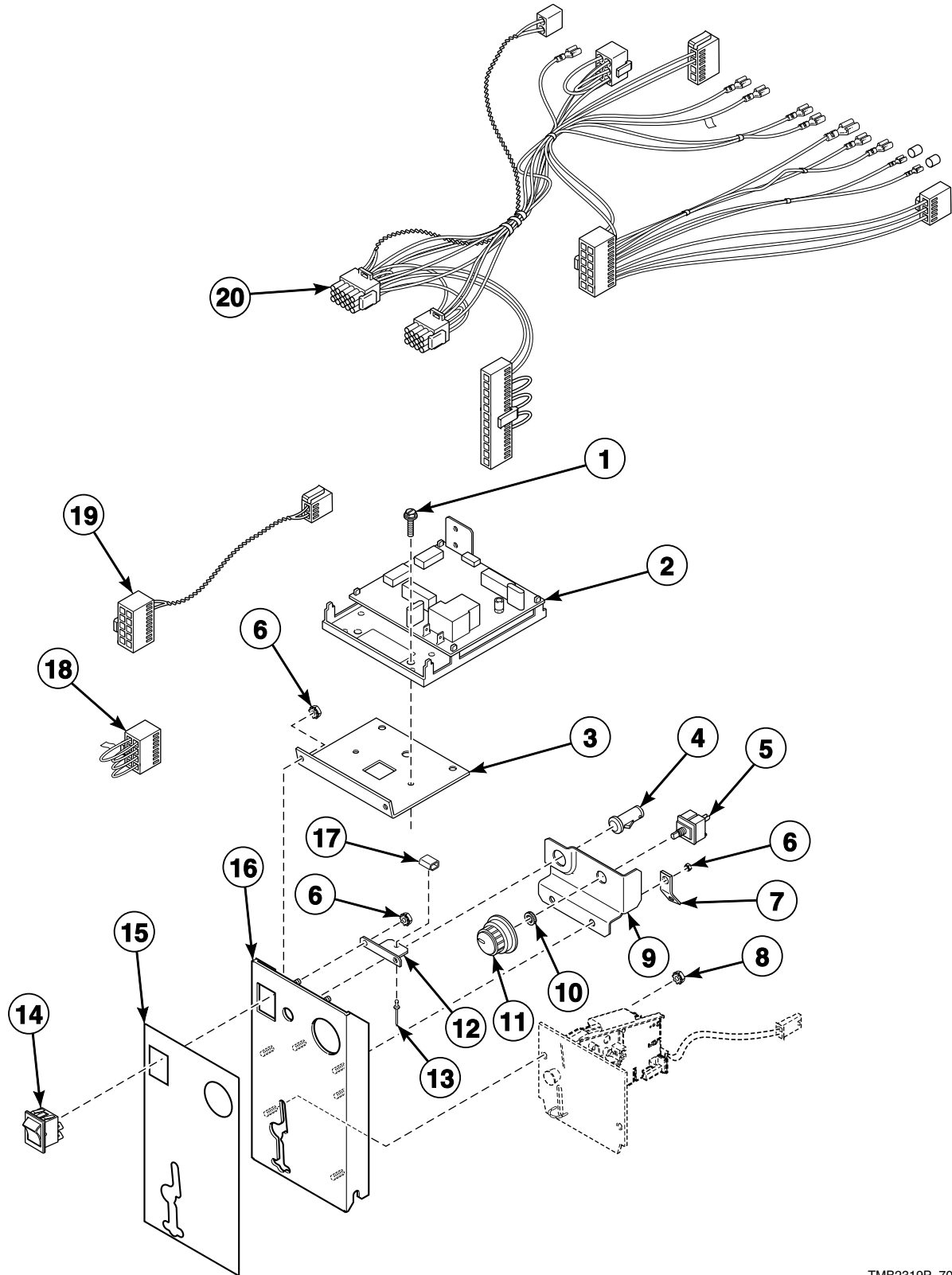
CHD30STE2-CTT30E	HAT30L	LTT30E	SAT30L
CHD30STE2-CUT30E	HAT30N	LTT30L	SAT30N
CHD30STG2-CAT30L	HTT30D	LTT30N	STT30D
CHD30STG2-CAT30N	HTT30E	LTT30S	STT30E
CHD30STG2-CTT30L	HTT30L	LUT30E	STT30L
CHD30STG2-CTT30N	HTT30N	LUT30L	STT30N
CHD30STG2-CUT30L	HTT30S	LUT30N	STT30S
CHD30STG2-CUT30N	HTT45L	LUT30S	STT45L
CHD30STS2-CTT30S	HTT45N	MTT30N	STT45N
CHD30STS2-CUT30S	HUT30E	MTT45N	SUT30E
DRST30E2-BTT30E	HUT30L	NTT30N	SUT30L
DRST30E2-BUT30E	HUT30N	NTT45N	SUT30N
DRST30G2-BAT30L	HUT30S	PAT30L	SUT30S
DRST30G2-BAT30N	IPD30STE2-ITT30E	PAT30N	UAT30L
DRST30G2-BTT30L	IPD30STG2-ITT30L	PTT30E	UAT30N
DRST30G2-BTT30N	IPD30STG2-ITT30N	PTT30L	UTT30E
DRST30G2-BUT30L	IPD30STS2-ITT30S	PTT30N	UTT30L
DRST30G2-BUT30N		PTT30S	UTT30N
DRST30S2-BTT30S		PUT30E	UTT30S
DRST30S2-BUT30S		PUT30L	UTT45L
		PUT30N	UTT45N
		PUT30S	UUT30E
			UUT30L
			UUT30N
			UUT30S

Control Suffixes:

3O – DX4 OPL	BY – basic electronic, prep for card	SD – single drop
3V – DX4 vended	NC – NetMaster coin	SX – single drop, prep for coin
3X – DX4 prep for coin	NR – NetMaster card	ZC – NetMaster network coin
BC – basic electronic, coin	NX – NetMaster, prep for coin	ZR – NetMaster network card
BL – basic electronic, central pay	NY – NetMaster, prep for card	ZX – NetMaster network, prep for coin
BX – basic electronic, prep for coin	QT – dual digital timer	ZY – NetMaster network, prep for card

Single Drop Control Components

C, H, I and S Models with SD and SX Control Suffixes



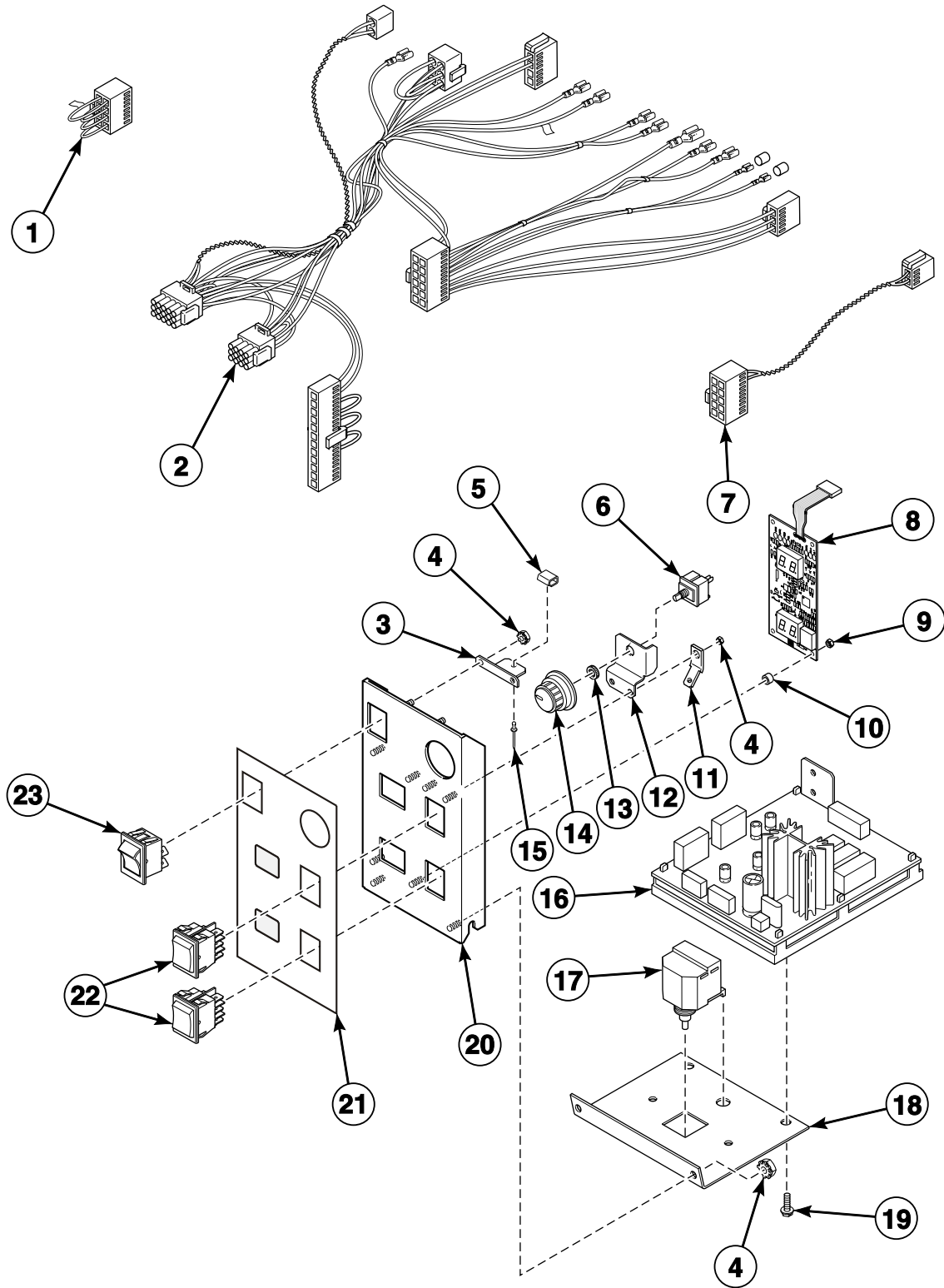
TMB2319P_70304801

Single Drop Control Components

REF	PART NO.	DESCRIPTION	COMMENTS
	70346001	Main Harness	
1	501524	Screw	
2	512199	Control Assembly	
3	70357902	Control Chassis Mounting Bracket	
4	801431	Light	
5	511711	Temperature Selector Switch	
6	70054	Nut	
7	00177	Male Tab Terminal	
8	29786	Nut	
9	70350201	Temperature Selector Bracket	
10	24205	Nut	
11	44104601	Temperature Knob	
12	70119801	Latch Mounting Bracket	
13	M400003	Pop Rivet	
14	70365901	Rocker Switch	Start
15	70362001	Overlay	H models
	70361901	Overlay	All other models
16	70365801	Control Door Assembly	H models; Includes studs
	70365101	Control Door Assembly	All other models
17	431318	Control Door Latch	
18	70364103	Bypass Harness	SD control suffix
19	70324603	Jumper Calibration Wire	SD control suffix
20	70369001	Control Panel Harness	C, H, I and S non-CE and non-Australian models with SD control suffix
	70367101	Control Panel Harness	C, H and S Australian and CE models with SD control suffix

Dual Digital Timer Components

C, H, I, S and U Models with QT Control Suffix



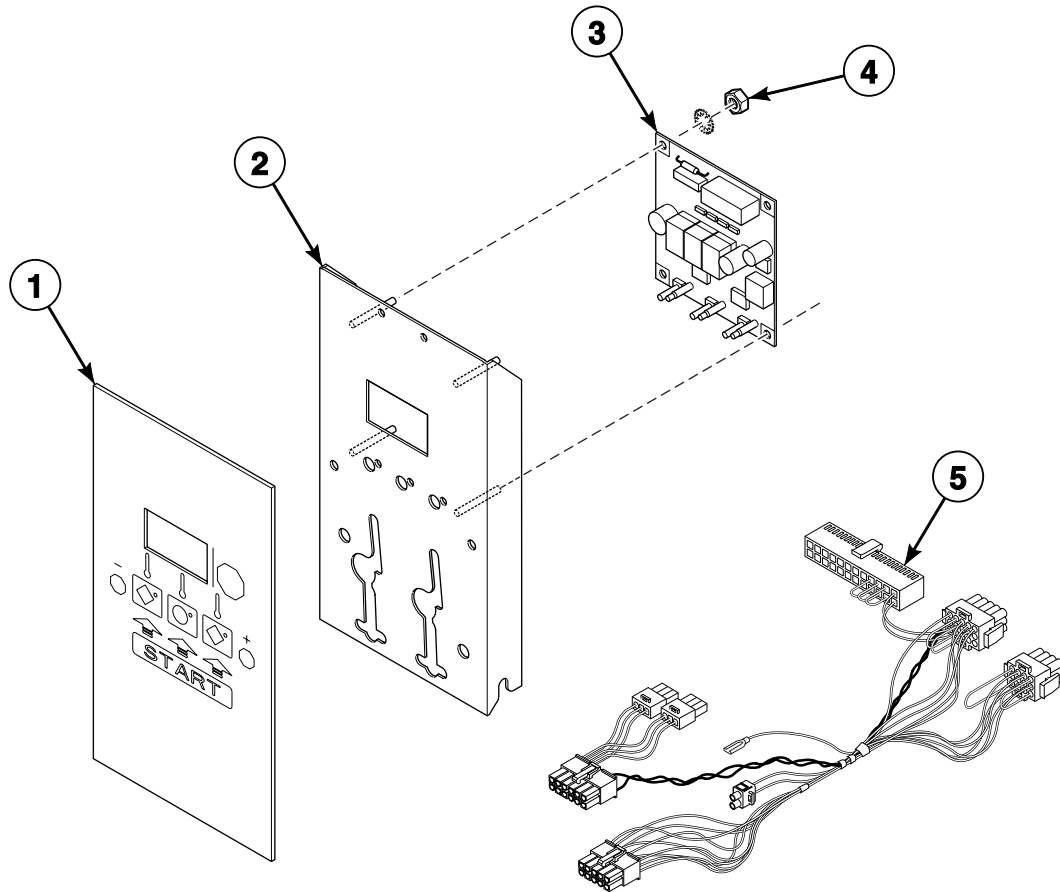
TMB2397P_70304801

Dual Digital Timer Components

REF	PART NO.	DESCRIPTION	COMMENTS
	70346001	Main Harness	
1	70364103	Bypass Harness	
2	70367001P	Control Panel Harness	
3	70119801	Latch Mounting Bracket	
4	70054	Nut	
5	431318	Control Door Latch	
6	511711	Temperature Selector Switch	
7	70324603	Jumper Calibration Wire	
8	512218P	Display Assembly	
9	29787	Nut	4 required
10	56079	Panel Locator	4 required
11	00177	Male Tab Terminal	
12	70391701	Temperature Selector Switch Bracket	
13	24205	Nut	
14	44104601	Temperature Knob	
15	M400003	Pop Rivet	
16	512202P	Control Assembly	
17	M4860P3	Buzzer Kit	Includes harness
18	70357901	Control Chassis Mounting Bracket	
19	501524	Screw	
20	70365601	Control Plate Assembly	H models; Includes studs
	70361201	Control Door Assembly	All other models; Includes studs
21	70361401	Overlay	H models
	70361301	Overlay	All other models
22	70360801	Rocker Switch	Black button
23	70365901	Rocker Switch	Green button; Start

DX4 Control Components

C, D and I Models with 3O, 3V and 3X Control Suffixes



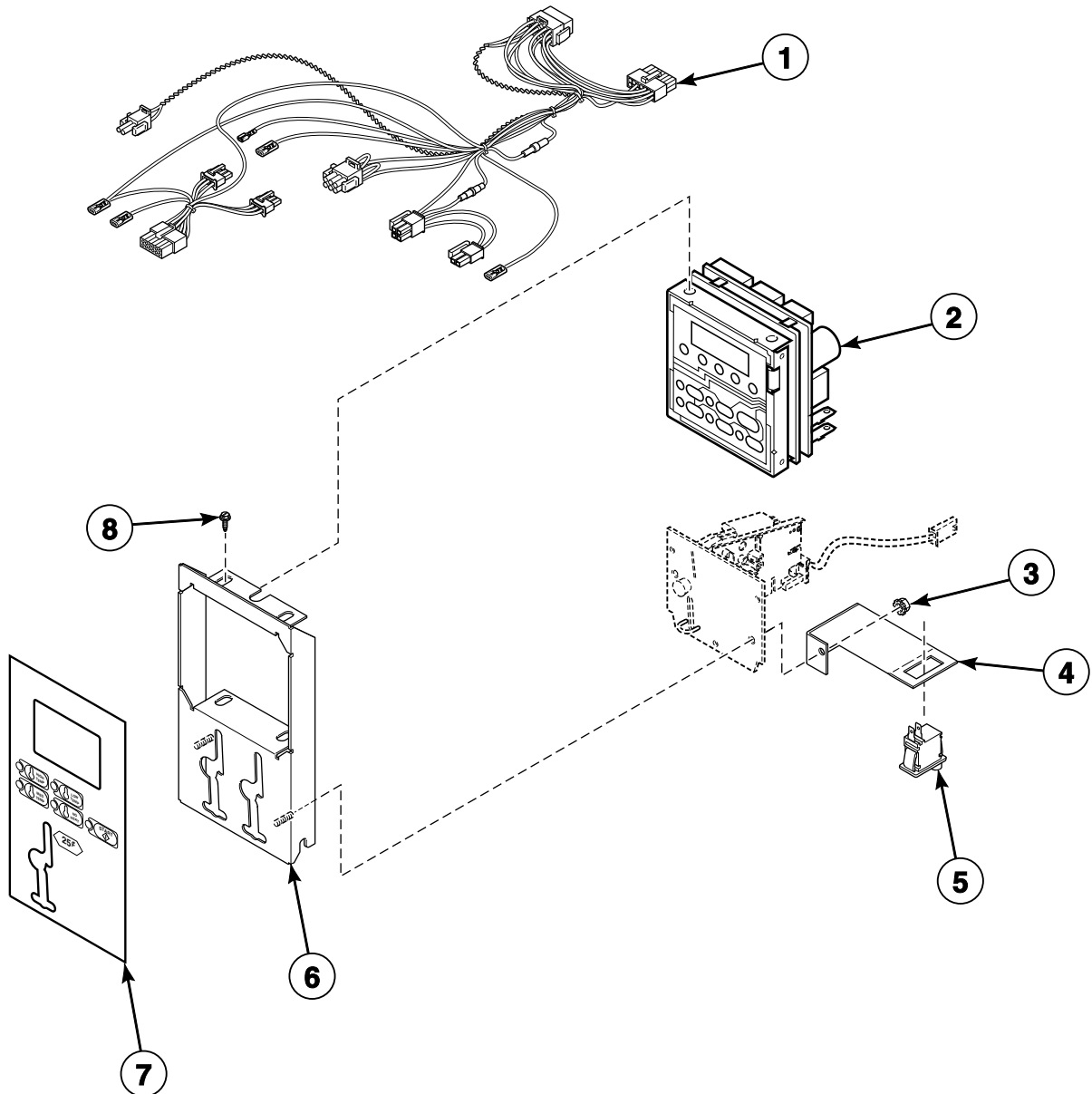
TMB2398P_70304801

DX4 Control Components

REF	PART NO.	DESCRIPTION	COMMENTS
1	70279101	Graphic Overlay	OPL
	70279201	Graphic Overlay	Coin; Single drop
	70279202	Graphic Overlay	Coin; Dual drop
2	70279301P	Control Plate Kit	
3	44051001P	Electronic Control	
4	29787	Nut	
5	70315601	Control Panel Harness	C, D and I non-Australian and non-CE models
	70315701	Control Panel Harness Assembly	C and D Australian and CE models

Coin Drop Components for MDC Models

H, L, P and S Models with BC, BL and BX Control Suffixes



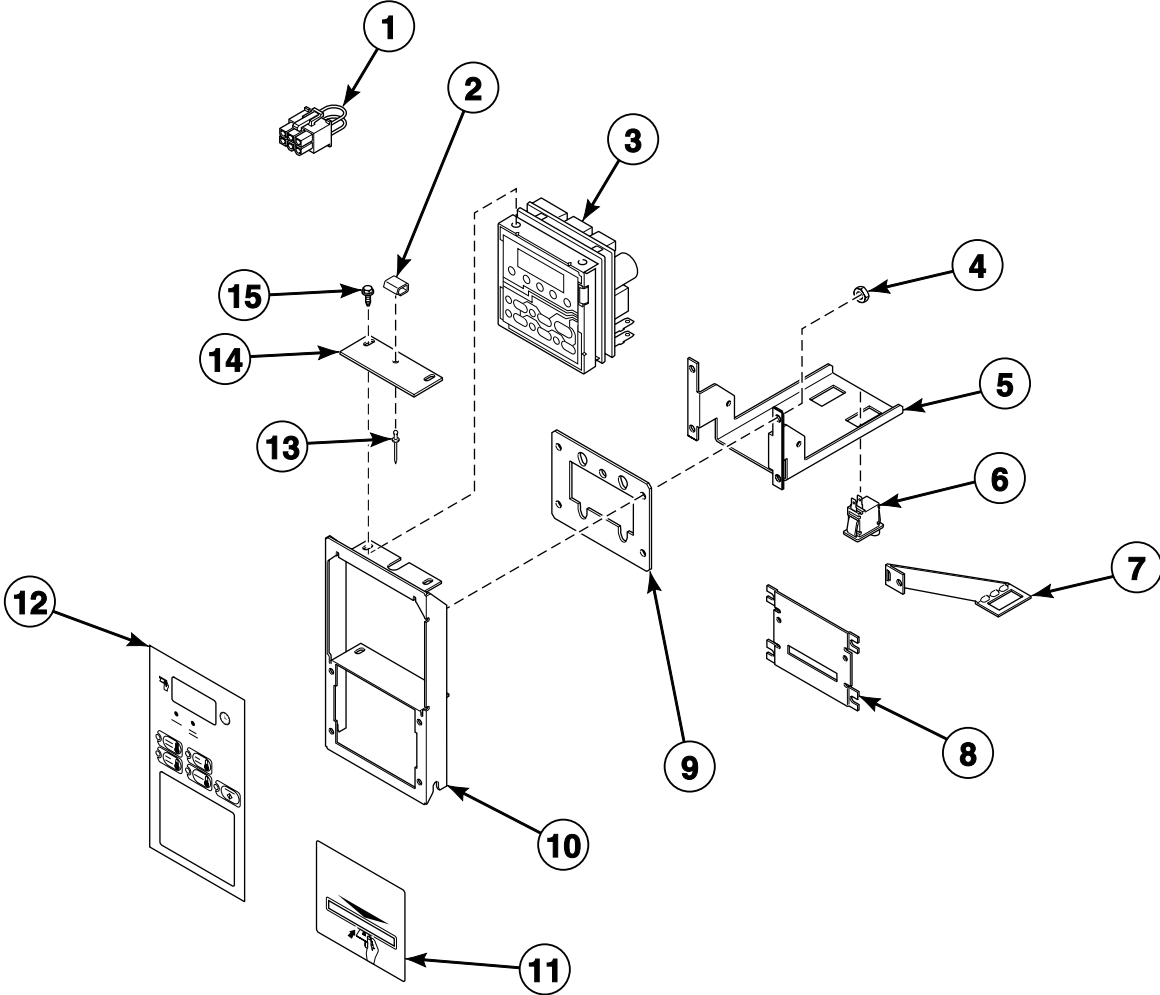
TMB2303P_70304801

Coin Drop Components for MDC Models

REF	PART NO.	DESCRIPTION	COMMENTS
	70346001	Main Harness	
	70286701	Overlay	P models with BL control suffix; Upper
	70321001	Overlay	P models with BC and BX control suffixes
	70129501	Overlay	P models with BC and BX control suffixes; Upper; Single drop
	70129601	Overlay	P models with BC and BX control suffixes; Upper; Dual drop
	70275401	Overlay	H models with BL control suffix
	70286801	Overlay	P models with BL control suffix; Lower
	70129701	Overlay	P models with BC and BX control suffixes; Lower; Single drop
	70129801	Overlay	P models with BC and BX control suffixes; Lower; Dual drop
1	70315501P	Control Panel Harness	Control panel to main harness
2	511867P	Control Assembly	
3	29786	Nut	3 required
4	70183901	Audit Switch Bracket	
5	70107001	Pushbutton Switch	
6	70291101P	Control Plate Kit	S models
	70291201P	Control Plate Kit	H models
7	70257801	Overlay	L and S models; Single drop; Text
	70257802	Overlay	S models; Dual drop; Text
	70261101	Overlay	L and S models; Single drop; Icon
	70261102	Overlay	S models; Dual drop; Icon
	70258101	Overlay	H models; Single drop; Text
	70258102	Overlay	H models; Dual drop; Text
	70261301	Overlay	H models; Single drop; Icon
	70261302	Overlay	H models; Dual drop; Icon
8	501524	Screw	4 required for mounting control

Card Reader Components for MDC Models

H, L, M, N, P and S Models with BL and BY Control Suffixes

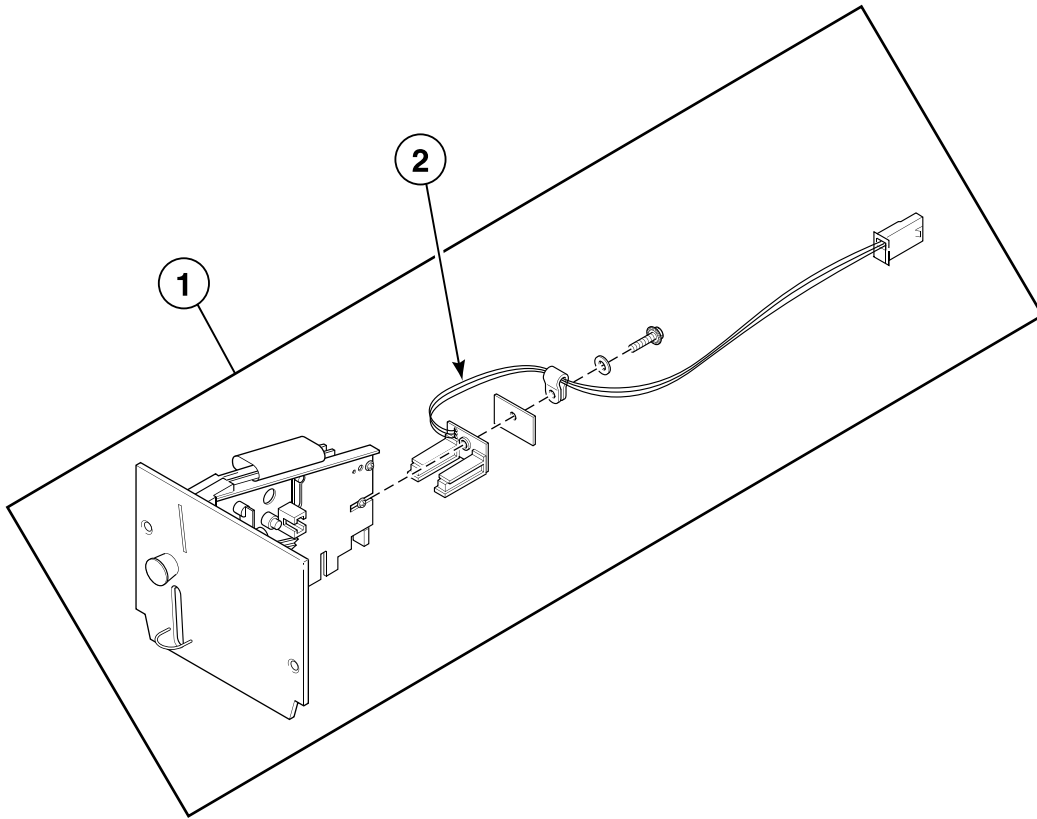


TMB2306P_70304801

Card Reader Components for MDC Models

REF	PART NO.	DESCRIPTION	COMMENTS
	70368001P	Control Panel Harness	
	70346001	Main Harness	
1	70364103	Bypass Harness	
2	431318	Control Door Latch	
3	511867P	Control Assembly	
4	70054	Nut	
5	70119001	Chassis Mounting Bracket	Use with item 1
6	70107001	Pushbutton Switch	
7	70183901	Audit Switch Bracket	Use with item 6
8	44089501	Slot Card Plate Assembly	
9	70208801	Mounting Plate	
10	70348901	Control Plate Assembly	L, M, P and S models
	70349001	Control Plate Assembly	H and N models
11	70334201	Card Reader Overlay	Black; Included in literature packet
	70334301	Card Reader Overlay	Gray; Included in literature packet
12	70335801	Overlay	L, P and S models; Text and icon
	70336001	Overlay	H models; Text and icon
	70351501	Overlay	M models
	70304201	Overlay	N models; Text and icon
13	M400003	Pop Rivet	
14	70184501	Latch Mounting Bracket	
15	501524	Screw	4 required

Coin Drops



TMB2336P_70304801

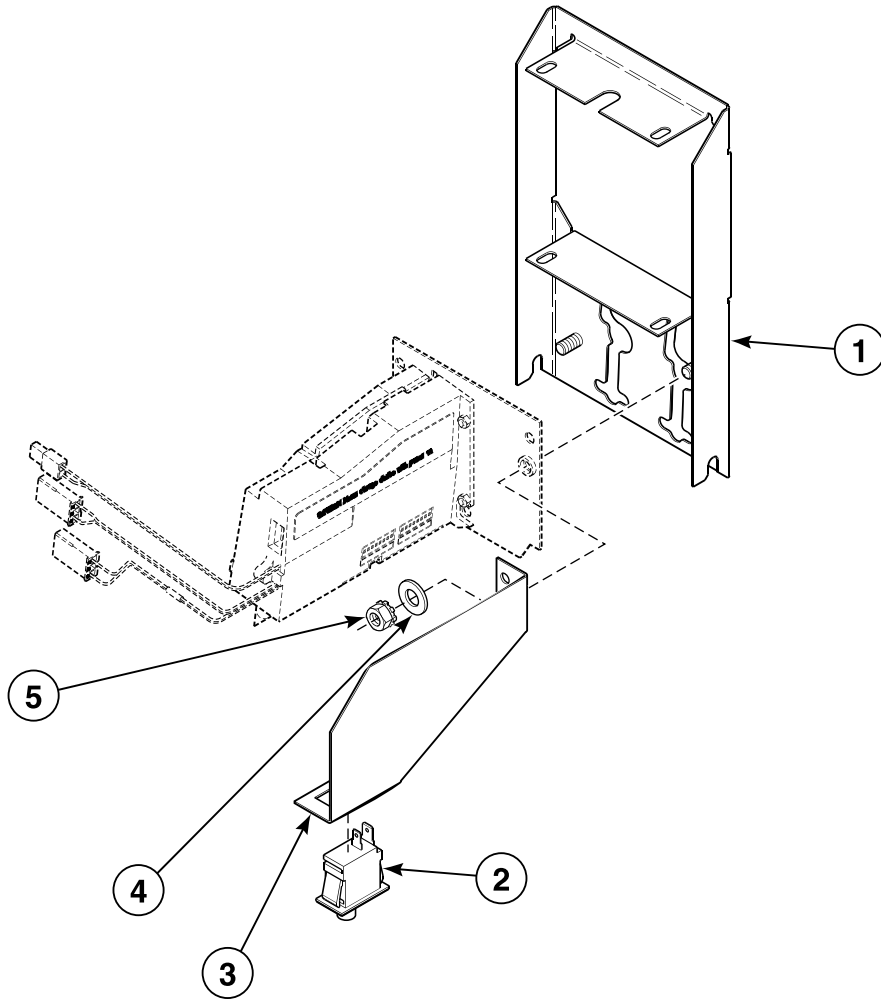
Coin Drops

REF	PART NO.	DESCRIPTION	COMMENTS
	201595P	Wire Guard	
	44065801	Electronic Coin Drop Harness	
1	70294101P	Electronic Coin Drop Assembly	United States (default), Canada, Japan and Taiwan
	70294103P	Electronic Coin Drop Assembly	United Kingdom (default) and Europe
	70294104	Electronic Coin Drop Assembly	Europe (default), Denmark and Norway
	70294105P	Electronic Coin Drop Assembly	Australia (default), New Zealand, Hong Kong, South Korea and Malaysia
	70294106	Electronic Coin Drop Assembly	Mexico (default), Ecuador and United States
	70294107	Electronic Coin Drop Assembly	Lithuania (default), Latvia and Europe
	70294109	Electronic Coin Drop Assembly	Malaysia (default), China, Russia and Singapore
	38479P	Coin Drop	USA; \$.25
	70256402P	Coin Drop	USA; Dual; \$.25 and \$1.00
	38475	Coin Drop Assembly	Japan; 100 yen
	38519	Coin Drop Assembly	Japan; 100 and 500 yen
	38467	Coin Drop Assembly	Australia; .20 and 1.00
	39748	Coin Drop	HU, PU and SU models; Token; Jeton
	210195	Coin Drop Assembly	Euro; .20 and 1.00
	210196	Coin Drop Assembly	Euro; .50 and 1.00
	38462P	Coin Drop Assembly	Token; STD-118-1
	38463	Coin Drop Assembly	Token; STD-118-5
	38464P	Coin Drop Assembly	Canada; \$.25
	200578P	Coin Drop Assembly	Canada; \$.25 and \$1.00
	38472	Coin Drop Assembly	England; 20 pence and 1 pound
	N/A	Coin Drop Assembly	Denmark; 1 and 5 DKK; May replace with 70294104 Electronic Coin Drop Assembly
	38521	Coin Drop Assembly	Korea; 100 and 500 won
	38522	Coin Drop Assembly	New Zealand; \$.20 and 100
	38963P	Coin Drop	Token; STD-118-16
	N/A	Coin Drop Assembly	Taiwan; Dual; 5 and 10 NT; May replace with 70294101 Electronic Coin Drop Assembly
	39157	Coin Drop Assembly	Israel; Shekel
	38475	Coin Drop Assembly	Japan; 100 yen
	38478	Coin Drop Assembly	Taiwan; 10 NT
	38521	Coin Drop Assembly	Korea; 100 and 500 won
2	200674P	Opto Coupler	

N/A = Part no longer available

Electronic Coin Drop Components

C, D, H, I, L, P and S Models with 3V, BC, NC and ZC Control Suffixes



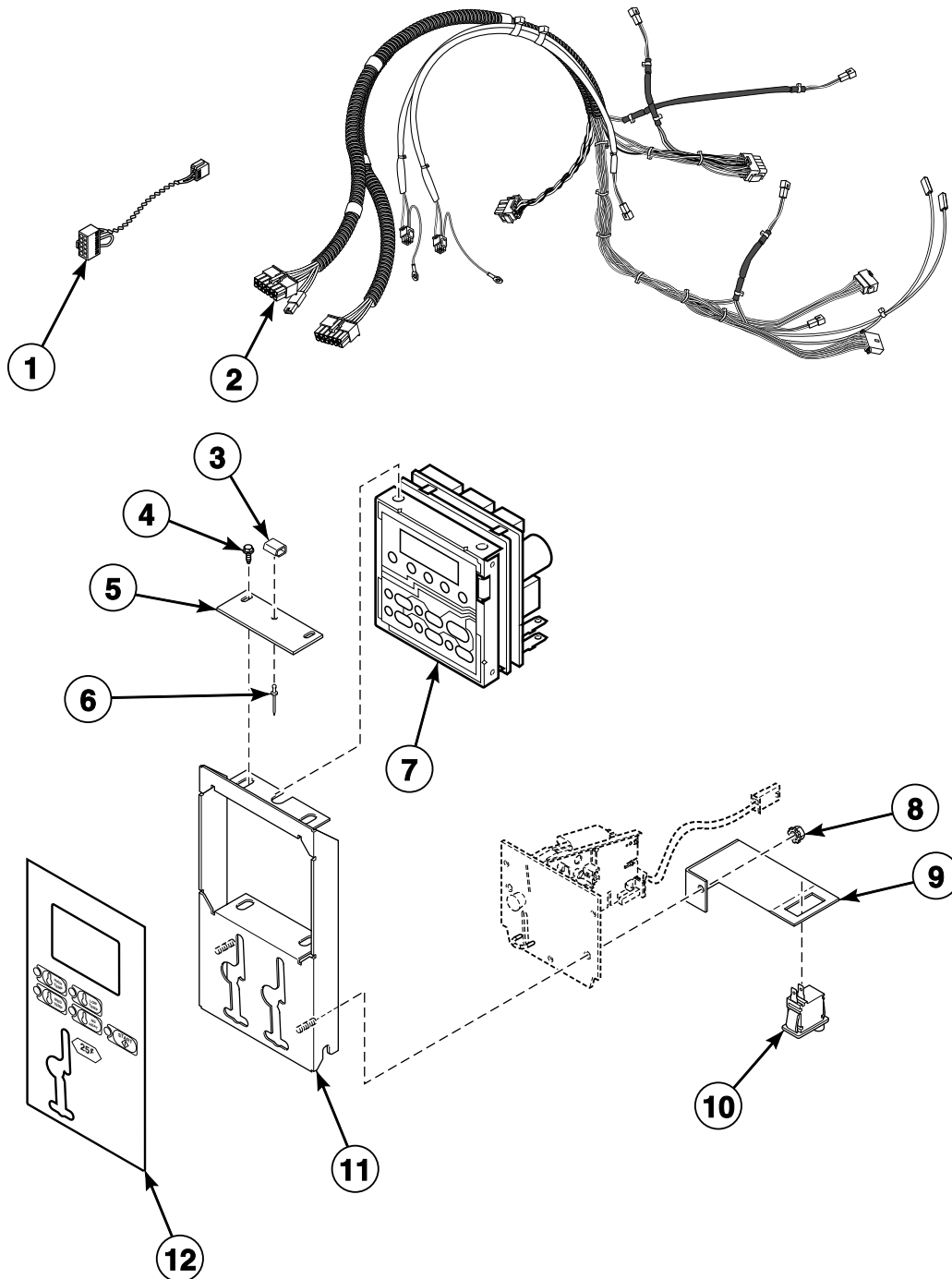
TMB1984K_70304801

Electronic Coin Drop Components

REF	PART NO.	DESCRIPTION	COMMENTS
1	70291101P	Control Plate Kit	L, P and S models
	70291201P	Control Plate Kit	H models
2	70107001	Pushbutton Switch	Audit switch
3	70292601	Audit Switch Bracket	
4	70292801	Washer	2 required
5	29786	Nut	2 required

Coin Drop Components for NetMaster Models

ST Models with NC, NX, ZC and ZX Control Suffixes



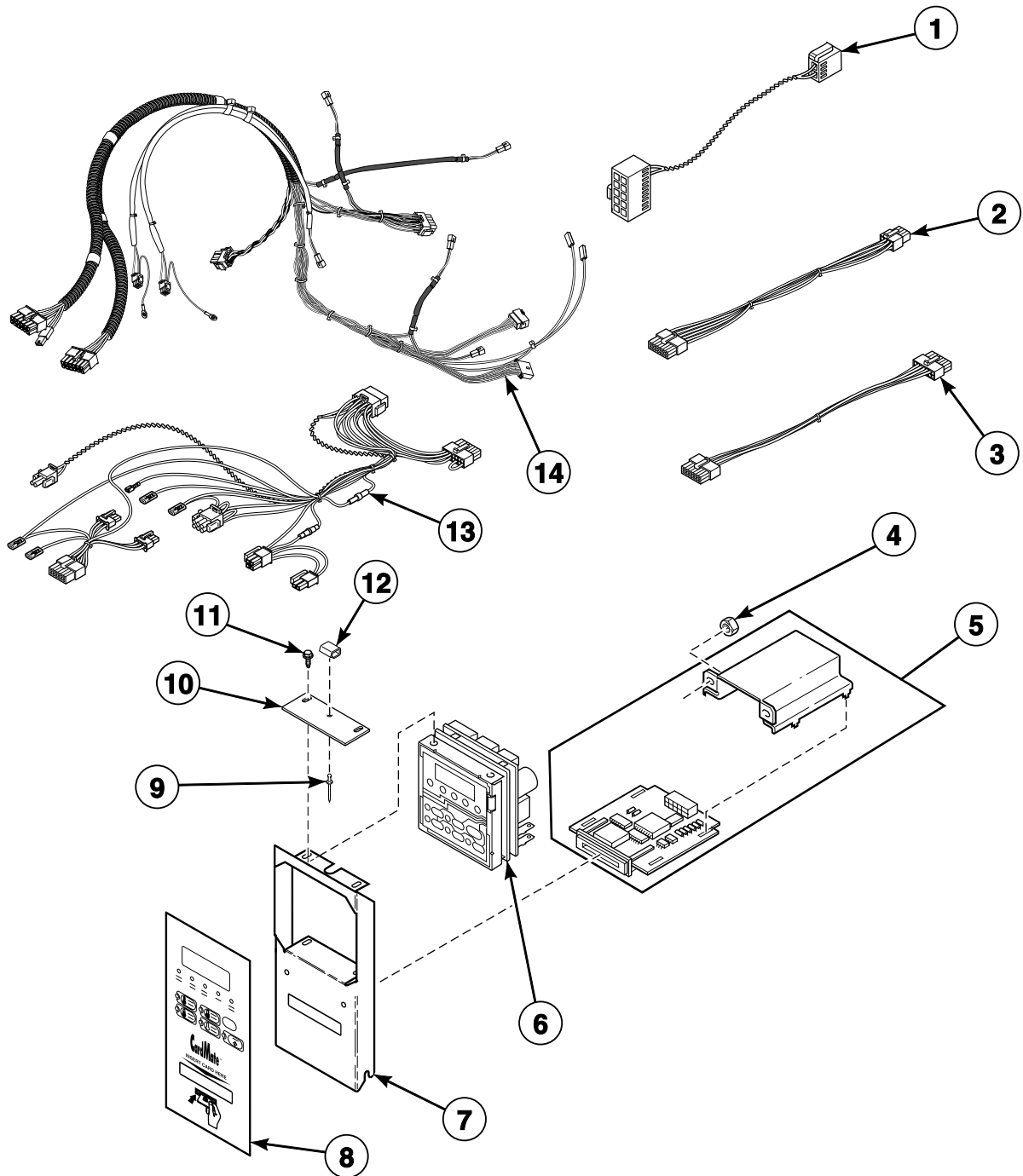
TMB2321P_70304801

Coin Drop Components for NetMaster Models

REF	PART NO.	DESCRIPTION	COMMENTS
	70368001P	Control Panel Harness	
	70346001	Main Harness	
1	70211703	Jumper Calibration Assembly	
2	70346002P	Main Harness	
3	431318	Control Door Latch	
4	501524	Screw	4 required
5	70184501	Latch Mounting Bracket	
6	M400003	Pop Rivet	
7	505905P	Control Kit	Includes tape
8	29786	Nut	
9	70292601	Audit Switch Bracket	
10	70107001	Pushbutton Switch	
11	70291101P	Control Plate Kit	
12	70184101	Overlay	Single drop
	70184102	Overlay	Dual drop

Card Reader Components for NetMaster Models

S Models with NR, NY, ZR and ZY Control Suffixes



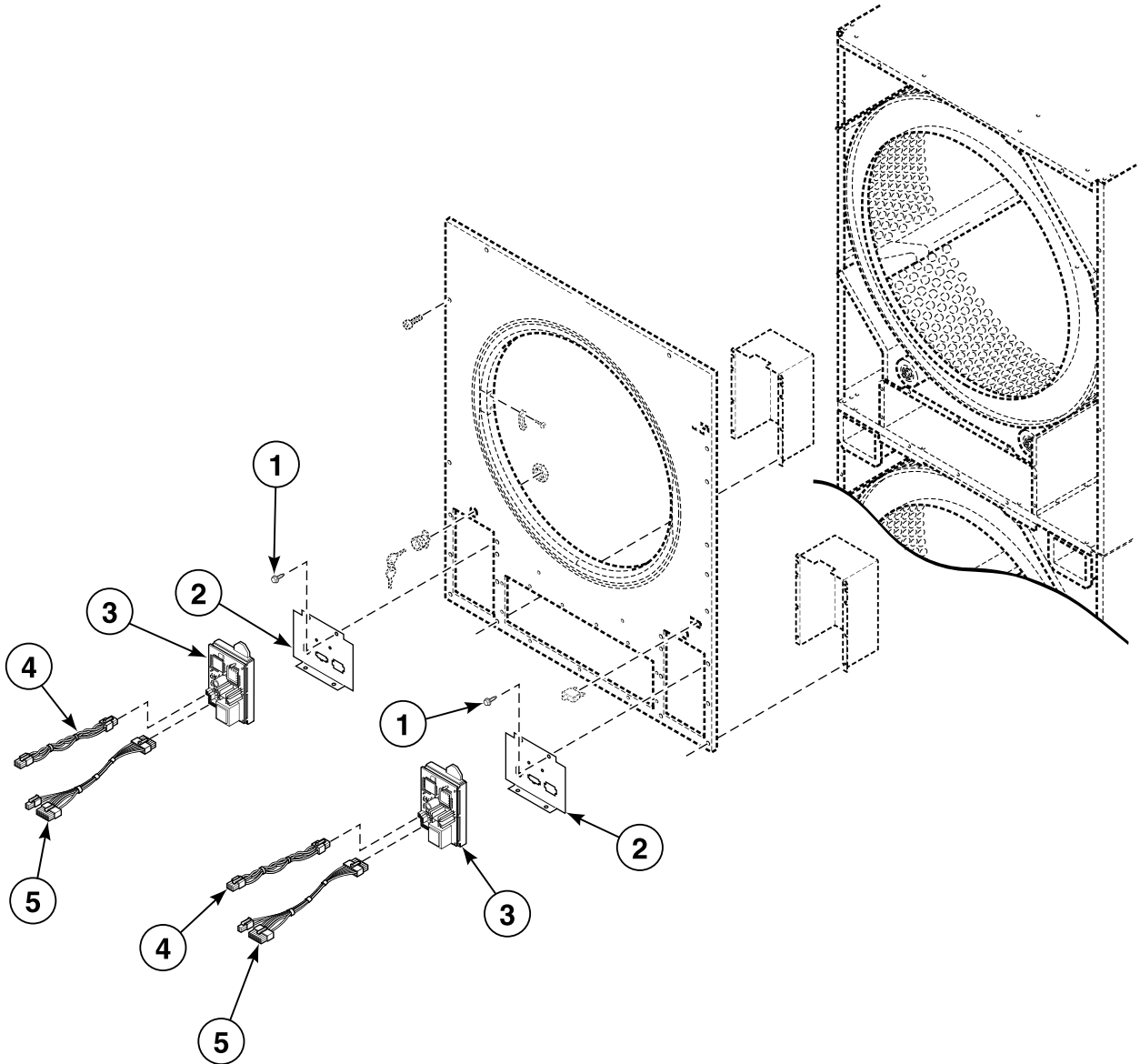
TMB2307P_70304801

Card Reader Components for NetMaster Models

REF	PART NO.	DESCRIPTION	COMMENTS
	70346001	Main Harness	
	70364103	Bypass Harness	
1	70211703	Jumper Calibration Assembly	
2	70206601	Card Reader Network Harness Assembly	Card reader or network
3	70211801	Card Reader Harness Assembly	
4	70054	Nut	2 required
5	510068P	Card Reader and Bracket Assembly	
6	505905P	Control Kit	Includes tape
7	70175911	Control Door Assembly	NR control suffix
8	70184201	Overlay	Card reader installed
	70235101	Overlay	Card reader ready
9	M400003	Pop Rivet	
10	70184501	Latch Mounting Bracket	
11	501524	Screw	4 required
12	431318	Control Door Latch	
13	70368001P	Control Panel Harness	ST models
	70315501P	Control Panel Harness	SA and SU models
14	70346002P	Main Harness	ZR and ZY control suffixes

Network Board for NetMaster Models

S Models with ZC, ZR, ZX and ZY Control Suffixes



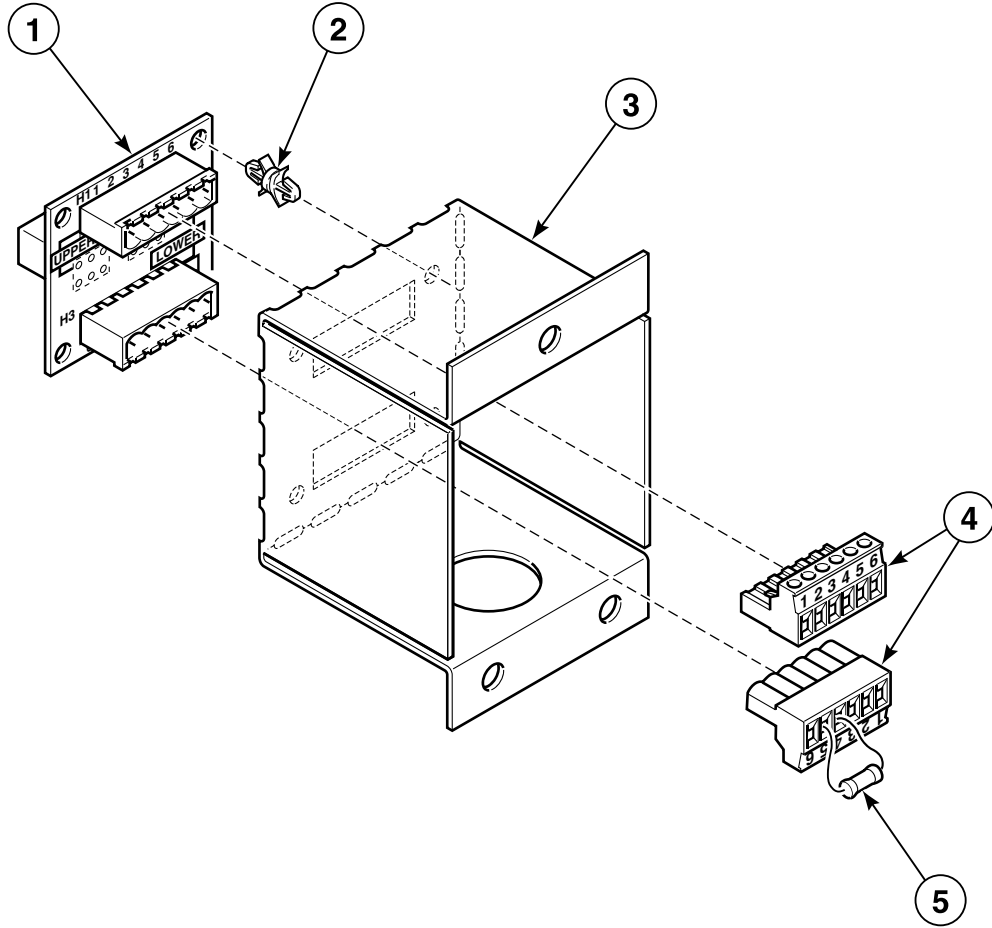
TMB2308P_70304801

Network Board for NetMaster Models

REF	PART NO.	DESCRIPTION	COMMENTS
1	430497	Screw	
2	70307002	Control Housing Cover	
3	210016P	Network Board Assembly	
4	70211101	Communication Harness Assembly	Network board to main harness at control bulkhead
5	800217	Network Wire Harness Assembly	

Communication Board for NetMaster Models

S Models with ZC and ZR Control Suffixes

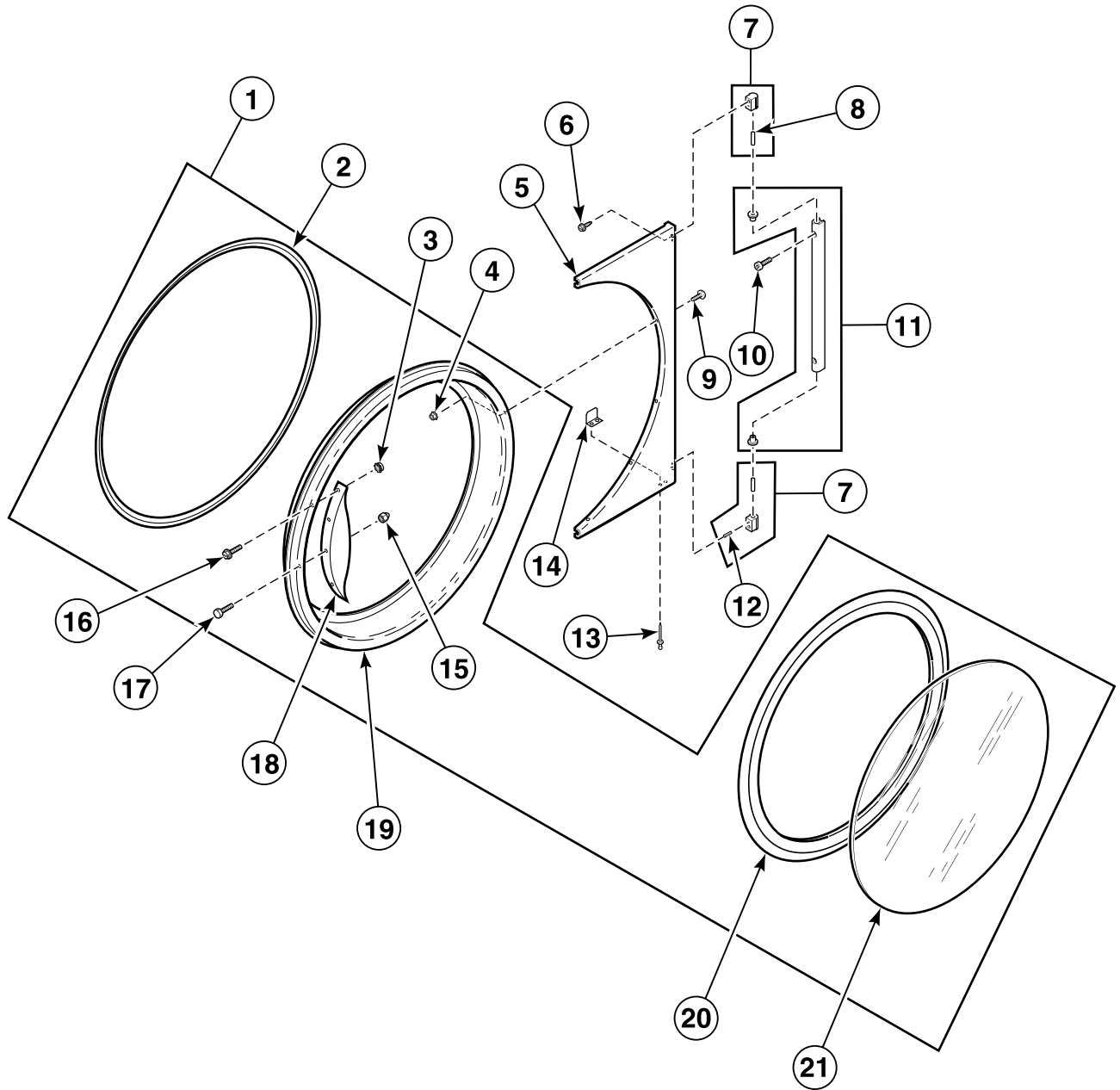


TMB2351P_70304801

Communication Board for NetMaster Models

REF	PART NO.	DESCRIPTION	COMMENTS
1	210097	Communication Board	
2	210098	PC Board Standoff	4 required
3	70323101	Communication Board Bracket	
4	210155	3 Circuit Data Connector	
5	210162	Terminating Resistor	120 Ohms

Door and Hinge Components



TMB2310P_70304801

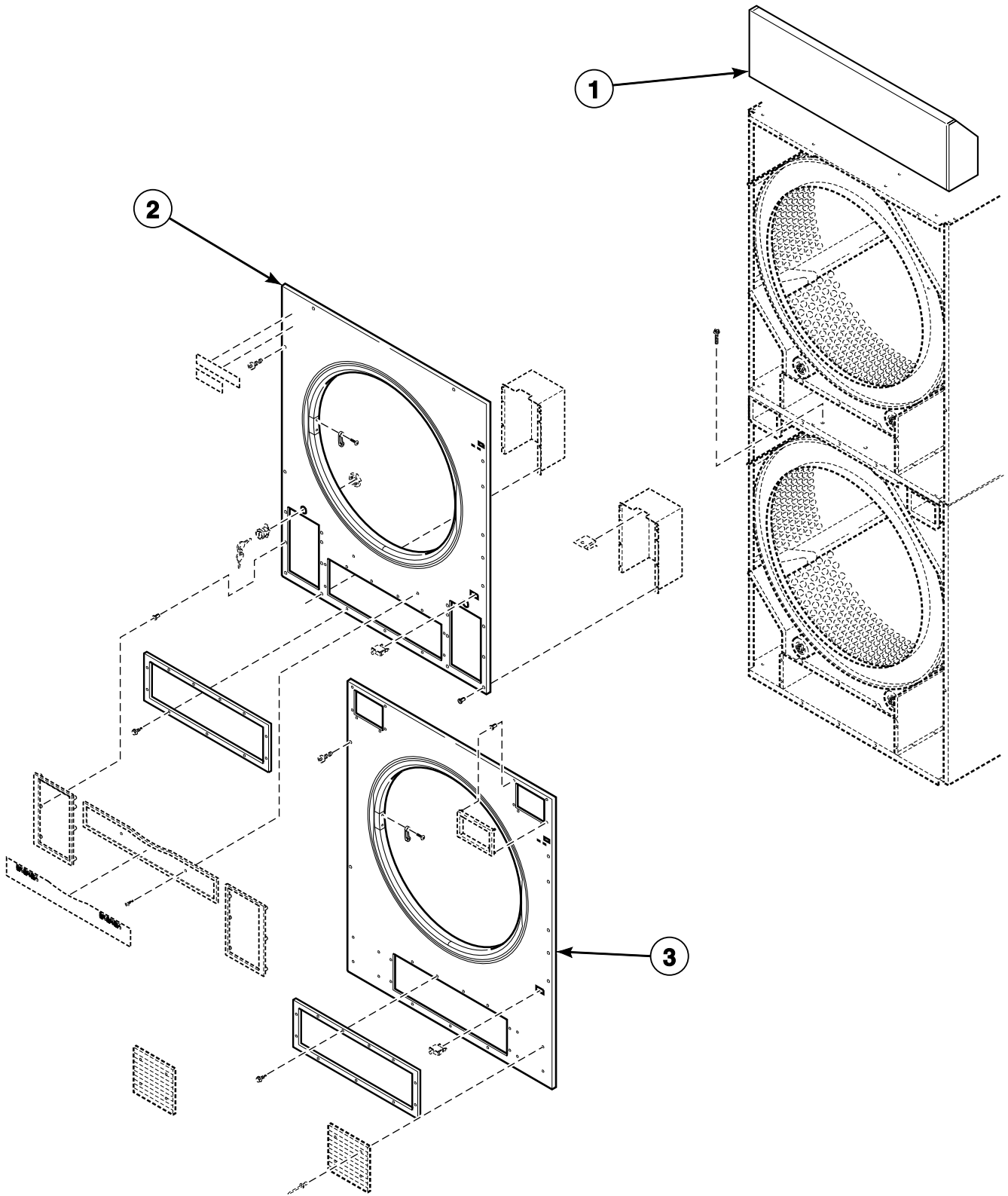
Door and Hinge Components

REF	PART NO.	DESCRIPTION	COMMENTS
1	44046701	Door Assembly	C, D and I models; Excludes hinge
	70212300	Door Assembly	T30 M, S and U models; Excludes hinge
	44058001	Door Assembly	T30 H models; Excludes hinge
	44058002	Door Assembly	T30 N models; Excludes hinge
	70212200	Door Assembly	P models; Excludes hinge
	70064100	Door Assembly	L models; Excludes hinge
	44028902	Door Assembly	T45 M, S and U models
	44058102	Door Assembly	T45 H models
2	70296801	Door Ring Gasket	T30 models
	44008201P	Door Ring Gasket	T45 models
3	70054	Nut	T30 models
	44071201	Nut	T45 models
4	23951	Nut	
5	70115901*	Door Hinge	T30 models
	70115902	Door Hinge	T30 models; Stainless steel
	44075205*	Door Hinge	T45 models
	44075206	Door Hinge Assembly	T45 models; Stainless steel
6	61199	Screw	
7	M4771P3	Door Hinge Cam Assembly Kit	Includes upper and lower door hinge cam assembly
8	70071401	Pin	
9	M400044	Screw	
10	70033502	Screw	
11	44035001	Door Hinge Lug Assembly	Includes bushing
12	70071401	Pin	
13	70058501	Pop Rivet	
14	70215001P	Door Switch Actuator Kit	
15	M414215	Nut	Door strike
16	430757	Screw	T30 M, S and U models
	N/A	Screw	P models; 1 required for right side of door handle for L models
	430756	Screw	2 required for left side of door handle for L models
	61199	Screw	H and N models; T45 M, S and U models
17	M400661	Screw	Door strike
18	70024801	Door Handle	T30 M, S and U models
	44057701	Door Handle	T30 H models
	430117	Door Handle	L models
	M400133	Door Handle	P models
	44007901	Door Handle	T45 M, S and U models
	44057702	Door Handle	T45 H models
19	44043501	Door Ring Assembly	C, D and I models
20	70211901P	Door Glass Seal Kit	T30 models
	70211902P	Door Seal Kit	T45 models
21	70133601P	Door Glass	T30 H models
	M400784P	Door Glass	All other T30 models
	44008402P	Door Glass	T45 H models
	44008401P	Door Glass	All other T45 models

* Add Letter To Designate Color. L - Almond Q - Bisque W - White

N/A = Part no longer available

Front Panel Assemblies and False Fronts



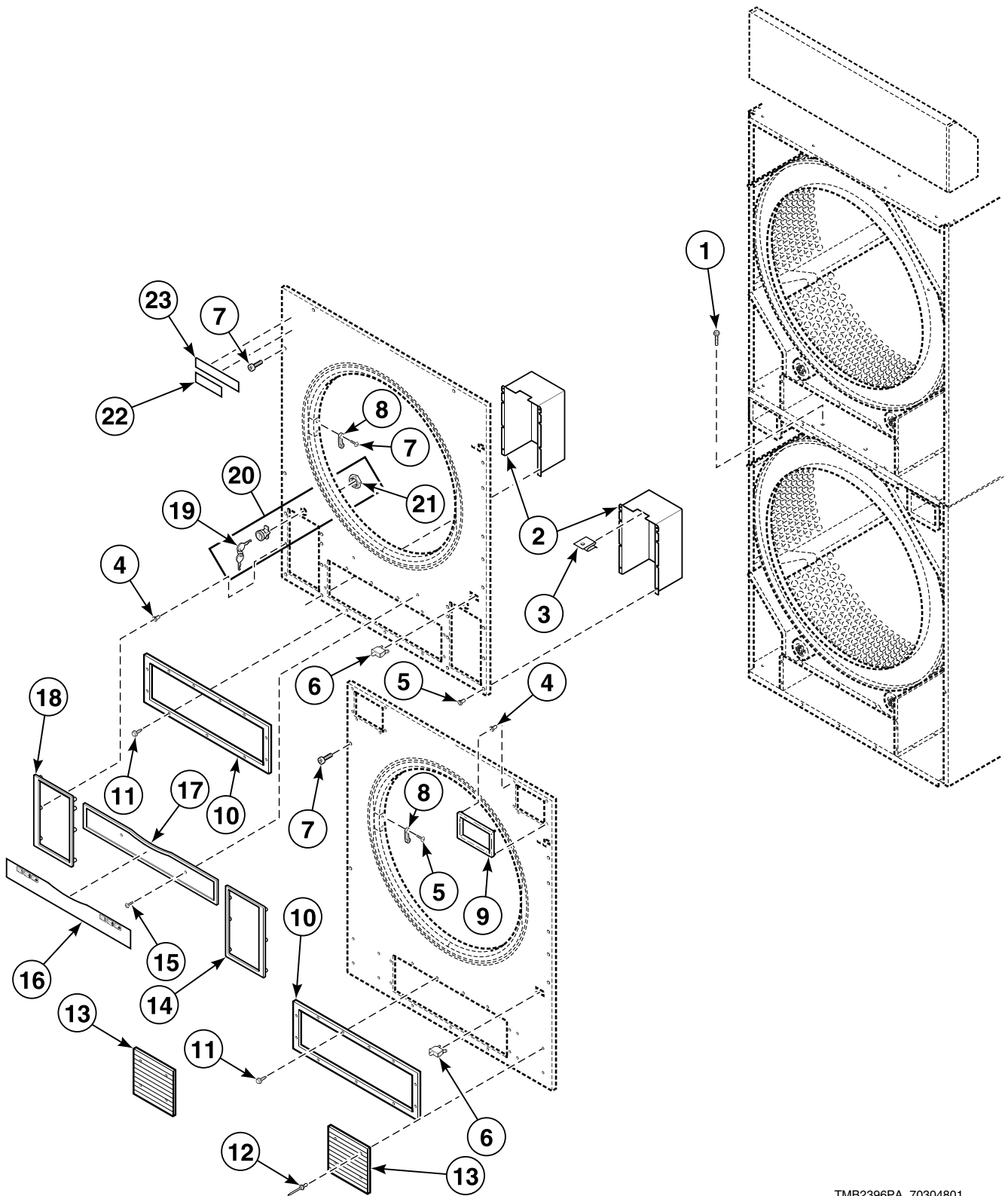
TMB2396P_70304801

Front Panel Assemblies and False Fronts

REF	PART NO.	DESCRIPTION	COMMENTS
1	70371701*P	False Front Kit	T30 models; To match T45 height; Includes 2 screws
	70371702P	False Front Kit	T30 models; Stainless steel; To match T45 height; Includes 2 screws
2	70176003*	Upper Front Panel Assembly	C, D, H and S CE models
	70176004P	Upper Front Panel Assembly	C, D, H and S CE models; Stainless steel
	70176001*P	Upper Front Panel Assembly	All other T30 models
	70176002P	Upper Front Panel Assembly	All other T30 models; Stainless steel
	70391301*	Upper Front Panel Assembly	T45 models
	70391302	Upper Front Panel Assembly	T45 H and N models; Stainless steel
	70391303	Upper Front Panel Assembly	T30 S and U models; Stainless steel
	70391501*P	Upper Front Panel Assembly	T45 H, N and U models
	70391502	Upper Front Panel Assembly	T45 H, N and U models; Stainless steel
	70391503P	Upper Front Panel Assembly	T45 S models; Stainless steel
	3	70176105*P	Lower Front Panel Assembly
70176106		Lower Front Panel Assembly	C, D, H and S CE coin models; Stainless steel
70176107*P		Lower Front Panel Assembly	C, D, H and S CE OPL models
70176108		Lower Front Panel Assembly	C, D, H and S CE OPL models; Stainless steel
70176101*P		Lower Front Panel Assembly	T30 non-CE coin models
70176102P		Lower Front Panel Assembly	T30 non-CE coin models; Stainless steel
70176103*P		Lower Front Panel Assembly	T30 non-CE OPL models
70176104P		Lower Front Panel Assembly	T30 non-CE OPL models; Stainless steel
70391205*		Lower Front Panel Assembly	CE OPL models
70391206		Lower Front Panel Assembly	CE OPL models; Stainless steel
70391201*		Lower Front Panel Assembly	T45 coin models
70391202		Lower Front Panel Assembly	T45 coin models; Stainless steel
70391203*		Lower Front Panel Assembly	T45 OPL models
70391204		Lower Front Panel Assembly	T45 OPL models; Stainless steel
70391401*P		Lower Front Panel Assembly	T45 coin models
70391402P		Lower Front Panel Assembly	T45 coin models; Stainless steel
70391403*P		Lower Front Panel Assembly	T45 OPL models
70391404		Lower Front Panel Assembly	T45 OPL models; Stainless steel

* Add Letter To Designate Color. L - Almond Q - Bisque W - White

Cabinet Front Components

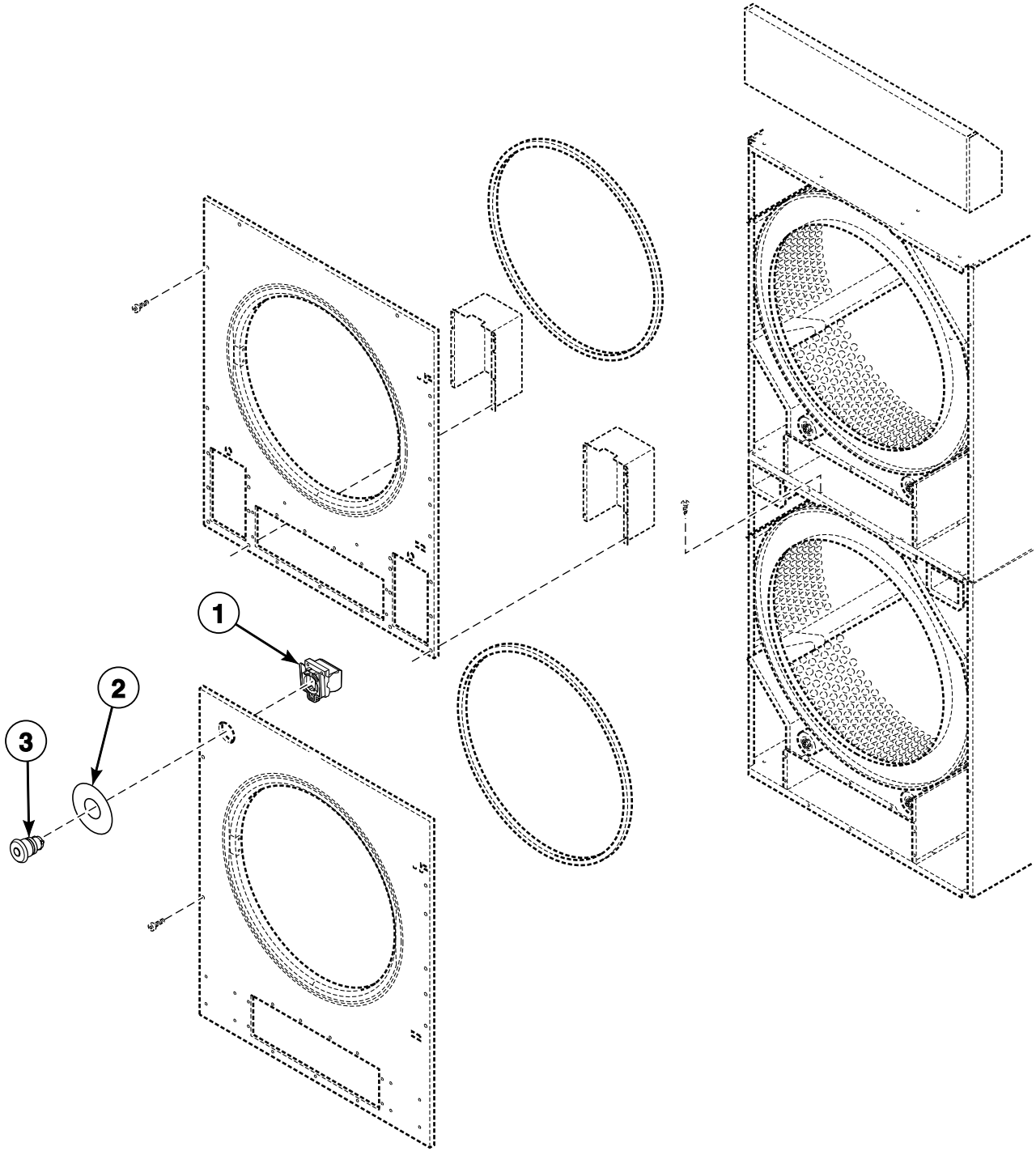


TMB2396PA_70304801

Cabinet Front Components

REF	PART NO.	DESCRIPTION	COMMENTS
	M4379P4	Tumbler Dolly Kit	
	70345801	Base Harness	
	70017301	Front Panel Baffle Seal	4 required
	70364104P	Coin Vault Switch Harness	
1	70069901	Screw	
2	70119901	Control Housing	
3	M406494	Panel Clip	2 required per control housing
4	M400972	Shadow Box Clip	6 required per coin vault trim
5	M400003	Pop Rivet	2 required per latch; 4 required per control housing
6	70107001	Pushbutton Switch	
7	70033502	Screw	For painted front panels
	70182601	Screw	For stainless steel front panels
8	M401223	Door Latch	
9	70117501	Coin Vault Trim	H and N models; Gray
	70117502	Coin Vault Trim	All other models; Black
10	70117901P	Lint Drawer Gasket	T30 models
	70300201	Lint Drawer Gasket	T45 models
11	70275801	Screw	8 required
12	70126401	Pop Rivet	4 required per kickplate; H and N models; Gray
	70126301	Pop Rivet	4 required per kickplate; All other models; Black
13	70117606	Kickplate	H and N models
	70117605	Kickplate	All other models
14	70117001	Control Trim	H and N models; Gray
	70116901	Control Trim	All other models; Black; Right
15	M405188	Screw	2 required for S and U models
16	70114601	Overlay	T30 S and U models; Coin
	70115401	Overlay	T30 S models; Card
	70362601	Overlay	T30 S and U models; Blank
	70137001	Overlay	P models
	70243801	Overlay	L models
	70299701	Center Trim Overlay	T45 S models; Coin
	70362701	Overlay	T45 S models; Card
	70362301	Overlay	T45 S and U models; Blank
17	70120501	Control Trim	T30 models; Center
	70299601	Center Trim	T45 models; Center
18	70117001	Control Trim	H and N models; Gray
	70116902	Control Trim	All other models; Black; Left
19	70155601	Key	RL001
20	44089301P	Lock, Key and Nut Kit	RL001
21	44088801	Nut	Panel lock
22	70289201	Nameplate	C models
	70286601	Label	D models
	70289801	Nameplate	I models
23	44062901	Nameplate	C models
	44046801	Nameplate	D and I models

Emergency Stop Button for CE Models

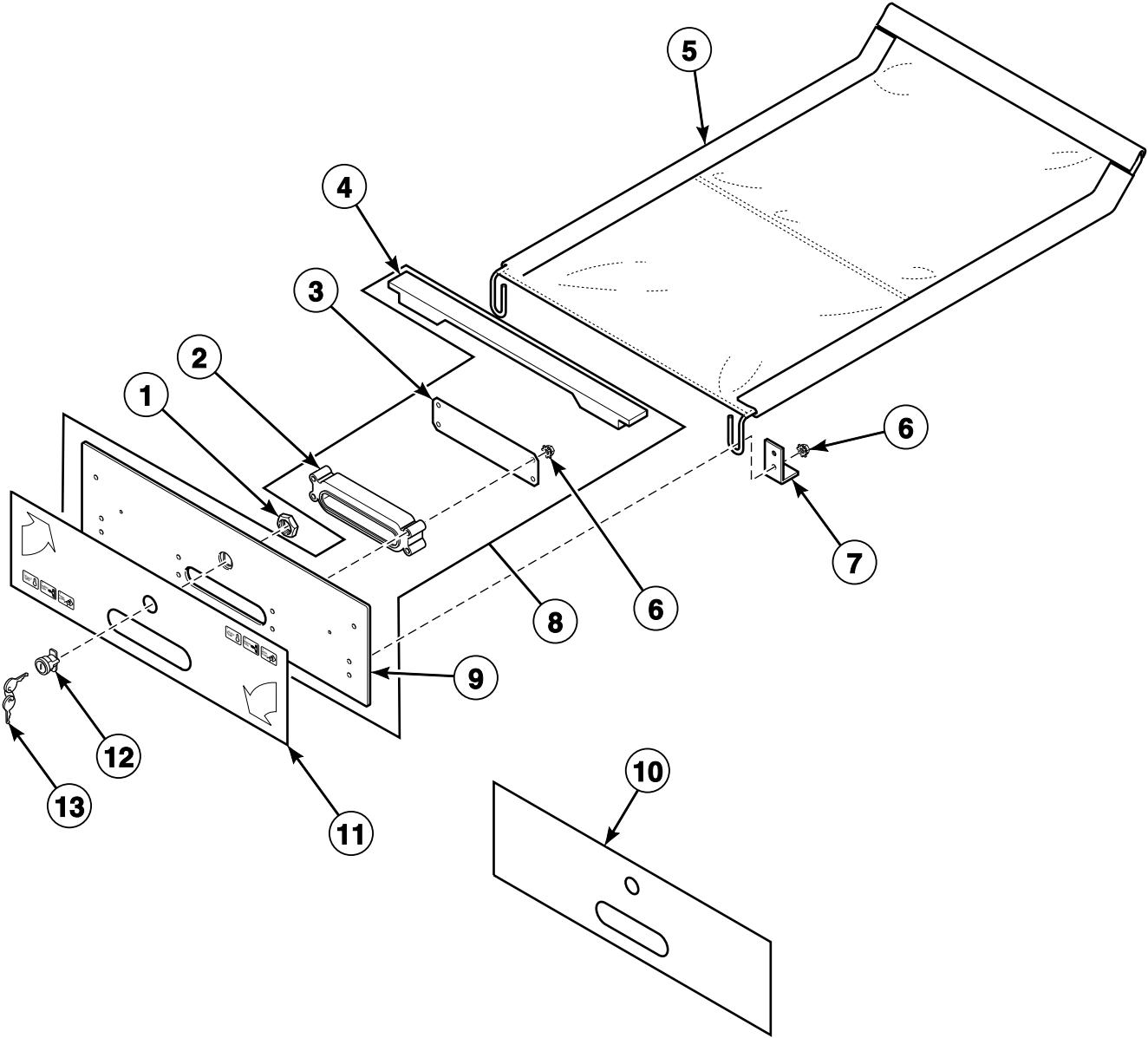


TMB2347P_70304801

Emergency Stop Button for CE Models

REF	PART NO.	DESCRIPTION	COMMENTS
	70364102	Emergency Stop Harness	2 contacts
	70364101P	Emergency Stop Harness	4 contacts
1	44018701	Contact Block	
2	M412235	Emergency Stop Label	
3	44018801	Pushbutton	

Lint Drawer Components

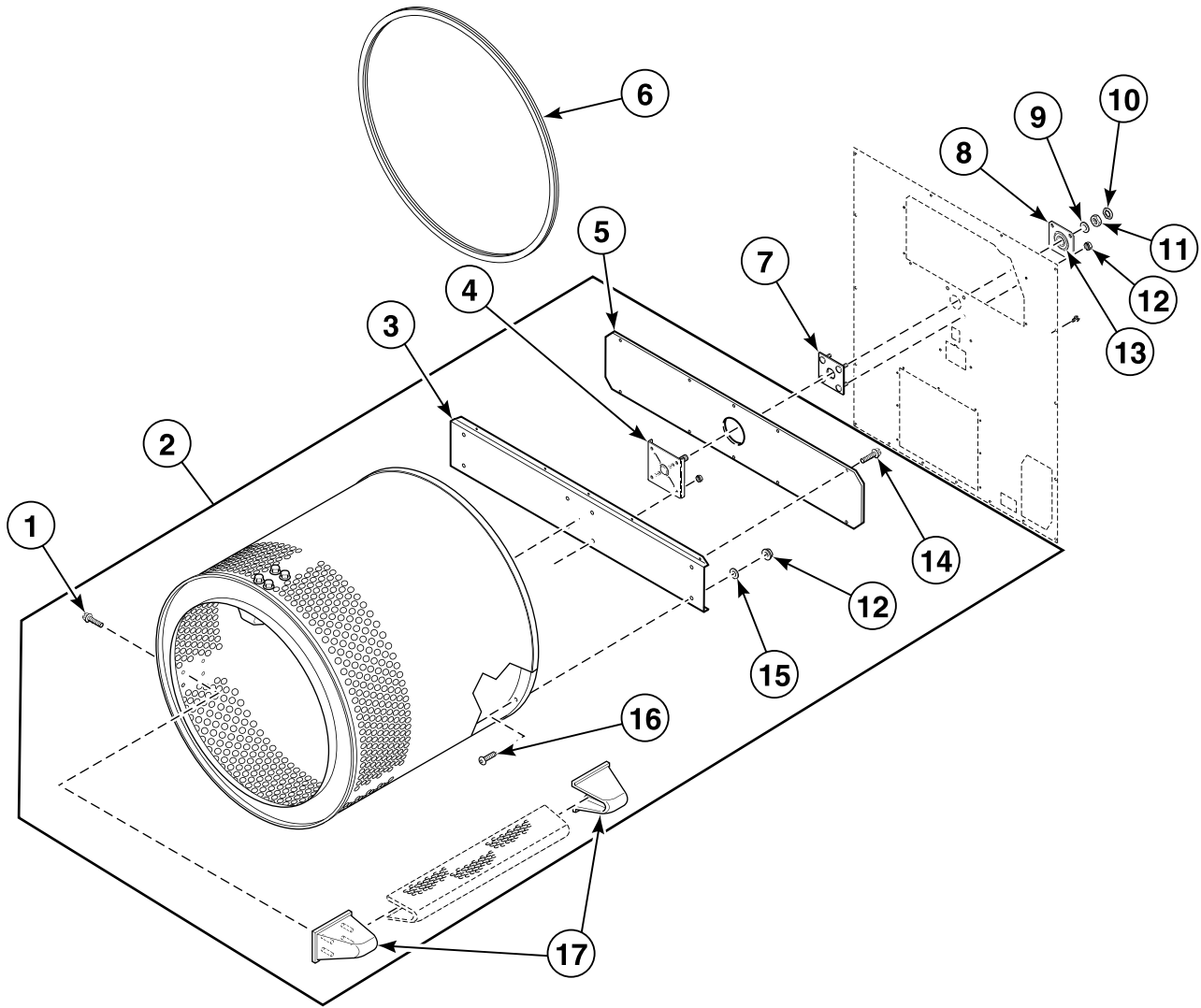


TMB2312P_70304801

Lint Drawer Components

REF	PART NO.	DESCRIPTION	COMMENTS
1	44088801	Nut	
2	70320801	Lint Drawer Handle	Black
	70320802	Lint Drawer Handle	Gray
3	70323201	Lint Drawer Handle Plate	
4	70333101	Lint Frame Gasket	T30 models
	70333103	Lint Frame Gasket	T45 models
5	70290601	Lint Screen Assembly	T30 models
	70301201	Lint Screen Assembly	T45 models
6	44087101	Nut	6 required
7	70026901	Lint Screen Bracket	2 required
8	70322901P	Lint Drawer Front Kit	T30 models; Black; Includes 70342401 Lock Shim
	70322902P	Lint Drawer Front Kit	T30 models; Gray; Includes 70342402 Lock Shim
	70323001	Lint Drawer Front Assembly	T45 models; Black
	70323002	Lint Drawer Front Assembly	T45 models; Gray
9	70173802	Lint Screen Panel Assembly	C, D and I models; Includes studs
10	70115301	Overlay	T30 C, D, I, L, S and U non-CE models; Lower lint drawer
	70115201	Overlay	T30 HA and HT models; Lower lint drawer
	70136401	Overlay	T30 C, D, L, S and U CE models; Lower lint drawer
	70136601	Overlay	T30 HU models; Lower lint drawer
	70137101	Overlay	T30 P models; Lower lint drawer
	70351701	Overlay	T30 M models; Lower lint drawer
	70300001	Overlay	T45 S models; Lower lint drawer
	70325301	Overlay	T45 H models; Lower lint drawer
	70381201	Overlay	T45 M models; Lower lint drawer
11	70114701	Overlay	T30 SA and ST models; Upper lint drawer
	70375301	Overlay	T30 HA and HT models; Upper lint drawer
	70361601	Overlay	T30 U models; Upper lint drawer
	70304301	Overlay	T30 N models; Upper lint drawer
	70351601	Overlay	T30 M models; Upper lint drawer
	70137101	Overlay	T30 P models; Upper lint drawer
	70136301	Overlay	T30 SU models; Upper lint drawer
	70136501	Overlay	T30 HU models; Upper lint drawer
	70258201	Overlay	T30 C, D and I non-Australian and non-CE models; Upper lint drawer
	70285001	Overlay	T30 C and D CE models; Upper lint drawer
	70351601	Overlay	T30 M models; Upper lint drawer
	70299901	Overlay	T45 S models; Upper lint drawer
	70362101	Overlay	T45 U models; Upper lint drawer
70363101	Overlay	T45 H models; Upper lint drawer	
70381101	Overlay	T45 M models; Upper lint drawer	
12	44089302P	Lock, Key and Nut Kit	RL002
13	70155602	Key	RL002

Cylinder Components

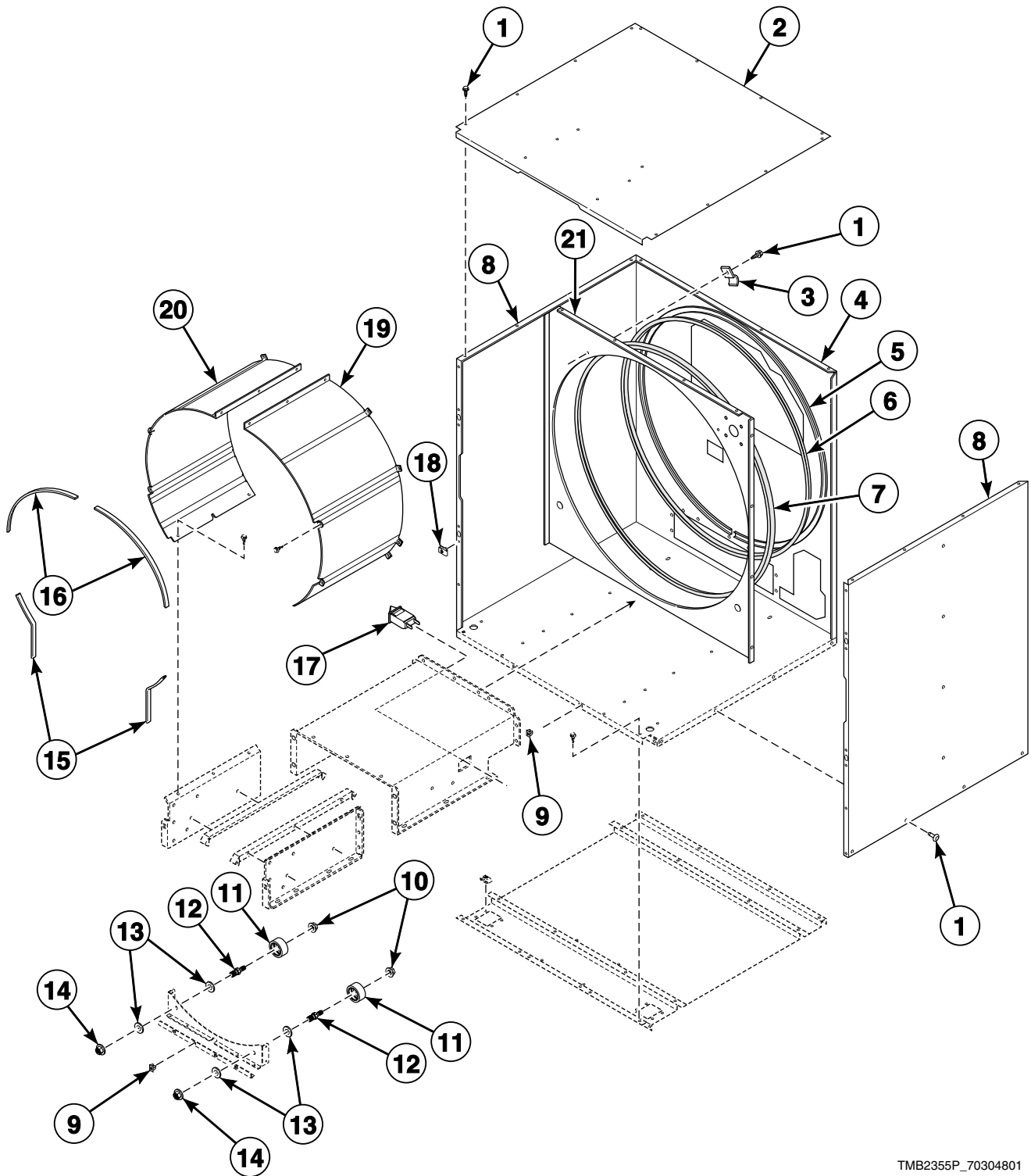


TMB2349P_70304801

Cylinder Components

REF	PART NO.	DESCRIPTION	COMMENTS
	70343101P	Drywall Screw Magnet Kit	Includes 6 magnets and 6 screws
	263P4	Cylinder Guide Tool	
	70017201	Rear Cylinder Seal Support	T30 models
	70305401	Rear Cylinder Seal Support	T45 models
1	62588	Screw	
2	70372501	Cylinder Assembly	T30 models; Galvanized
	70372502	Cylinder Assembly	T30 models; Stainless steel
	70372901P	Cylinder Assembly	T45 models; Galvanized
	70372902P	Cylinder Assembly	T45 models; Stainless steel
3	70257101	Rear Cylinder Channel	T30 models
	70305201	Rear Cylinder Channel	T45 models
4	70244701P	Trunnion and Seal Kit	
5	70257201	Rear Cylinder Channel Plate	T30 models
	70305301	Rear Cylinder Channel Plate	T45 models
6	70013701P	Rear Cylinder Seal	T30 models; Use 511637 Adhesive
	70013703	Rear Cylinder Seal	T45 models; Use 511637 Adhesive
7	430352	Cylinder Bearing Stud Plate Assembly	
8	70013901	Rear Cylinder Bearing Housing	
9	M400991	Washer	
10	M400034	Nut	
11	M400022	Nut	
12	M412986	Nut	
13	430038	Support Bearing	
14	430497	Screw	10 required
15	M400080	Washer	
16	70392801	Bolt	8 required
17	70070101	End Cap	

Cabinet Components



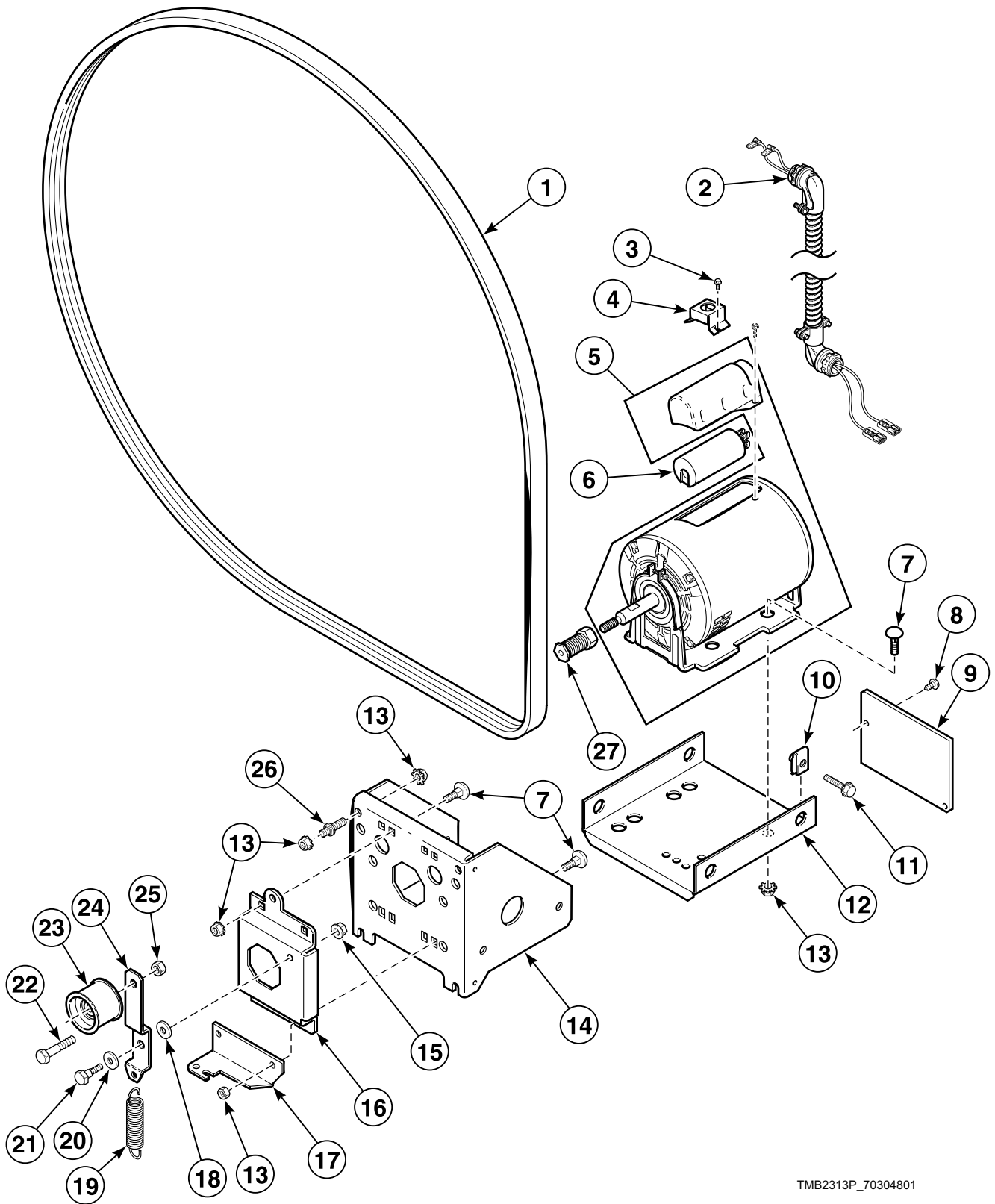
TMB2355P_70304801

Cabinet Components

REF	PART NO.	DESCRIPTION	COMMENTS
	430352	Cylinder Bearing Stud Plate Assembly	
	70058501	Pop Rivet	
	70288201	Channel Base Assembly	T30 models
	21899	Nut	For leveling legs
	70247701	Screw	For leveling legs
1	430497	Screw	
2	70357701	Top Panel Assembly	T30 models; Upper; Includes threaded insert
	70357801	Top Panel Assembly	T45 models; Upper; Includes threaded insert
3	70226701	Clip	
4	70339401	Rear Panel	T30 gas models
	70339402	Rear Panel	T30 electric and steam models
	70301701	Rear Panel	T45 models
5	70017201	Rear Cylinder Seal Support	T30 models
	70305401	Rear Cylinder Seal Support	T45 models
6	70013701P	Rear Cylinder Seal	T30 models
	70013703	Rear Cylinder Seal	T45 models
7	70066003	Center Cylinder Seal Assembly	T30 models; Includes center cylinder seal support and center cylinder seal
	70066005	Center Cylinder Seal	T45 models; Includes center cylinder seal support and center cylinder seal
8	70231801*P	Side Panel	T30 models
	70301801*P	Side Panel	T45 models
9	70030501	Expansion Clip	
10	430576	Nut	
11	70298701P	Roller Bearing Assembly	
12	70249501	Roller Shaft	
13	Q6712	Washer	
14	70288801	Nut	
15	70015711	Sheet Metal Edge Gasket	T30 models; Lower
	70015707	Sheet Metal Edge Gasket	T45 models; Lower
16	70015712	Sheet Metal Edge Gasket	T30 models; Upper
	70015708	Sheet Metal Edge Gasket	T45 models; Upper
17	431159	Lint Drawer Switch	
18	70030401	Nut	
19	70339301	Cylinder Shroud	T30 models; Right
	70301901	Cylinder Shroud	T45 models; Right
20	70339302	Cylinder Shroud	T30 models; Left
	70301902	Cylinder Shroud	T45 models; Left
21	70339201	Center Partition	T30 models
	70301601	Center Partition	T45 models

* Add Letter To Designate Color. L - Almond Q - Bisque W - White

Drive Motor Components

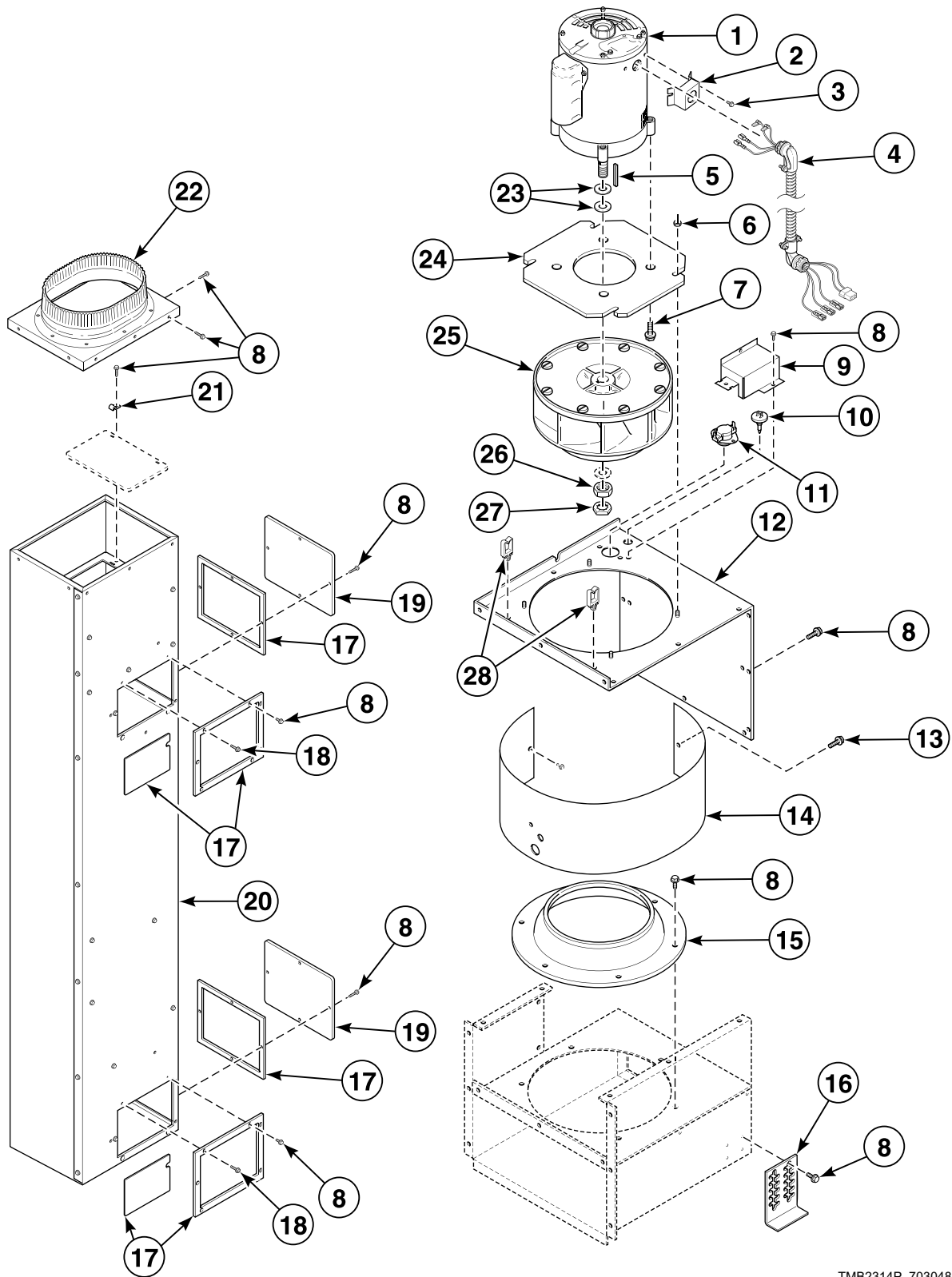


TMB2313P_70304801

Drive Motor Components

REF	PART NO.	DESCRIPTION	COMMENTS
	M4853P3	Belt Tension Tool Kit	
	70320201	Motor Contactor Harness	T45 models; 3 Phase
1	70276201P	Belt	T30 models
	70276204P	Belt	T45 models
2	70316701P	Cylinder Motor Harness	1 Phase models; 3 Phase electric models with 240 Volt and below
	70316801P	Cylinder Motor Harness	3 Phase models except electric models with 240 Volt and below
3	23222	Screw	
4	70321701	Motor Conduit Mounting Bracket	
5	70337801P	Drive Motor	T30 models; 120-230 Volt/60 Hertz/1 Phase and 100 or 200 Volt/50 Hertz/1 Phase
	70337901P	Drive Motor Kit	T30 models; 120-240 Volt/60 Hertz/1 Phase; Low Amp
	70338001P	Drive Motor Kit	T30 models; 230-240 Volt/50 Hertz/1 Phase
	70338101P	Drive Motor	T30 models; 200-480 Volt/60 Hertz/3 Phase and 200-415 Volt/50 Hertz/3 Phase
	70298201P	Drive Motor	T45 models; 100-120 or 208-240 Volt/60 Hertz/1 Phase
	70298401	Drive Motor	T45 models; 200-240 Volt/60 Hertz/3 Phase
6	70211502	Motor Capacitor	T30 models; Start; For 70337901 Drive Motor on 20 Amp models
	70211401	Motor Capacitor	T30 models; Run; For 70337901 Drive Motor on 20 Amp models
7	70062401	Bolt	
8	430497	Screw	
9	70202501	Drive Access Cover	
10	27222	Nut	4 required
11	M412985	Screw	
12	70127301	Motor Mount Bracket	T30 models
	70312001	Motor Mount Bracket	T45 models
13	M412986	Nut	
14	70261701	Motor Channel	
15	29796	Nut	
16	70261601	Cylinder Idler Bracket	
17	70179701	Idler Spring Tab	
18	70270301	Washer	
19	70045301	Drum Idler Spring	
20	70265901	Washer	
21	M400056	Screw	
22	430648	Screw	
23	70050401P	Idler Wheel Assembly	
24	70259901	Cylinder Idler Arm	
25	56156	Nut	
26	70334701	Double Ended Stud	
27	70284203	Motor Pulley	T30 models; 50 Hertz
	70284201	Motor Pulley	T30 models; 60 Hertz
	70284208	Motor Pulley	T45 models; 60 Hertz

Blower and Exhaust Components

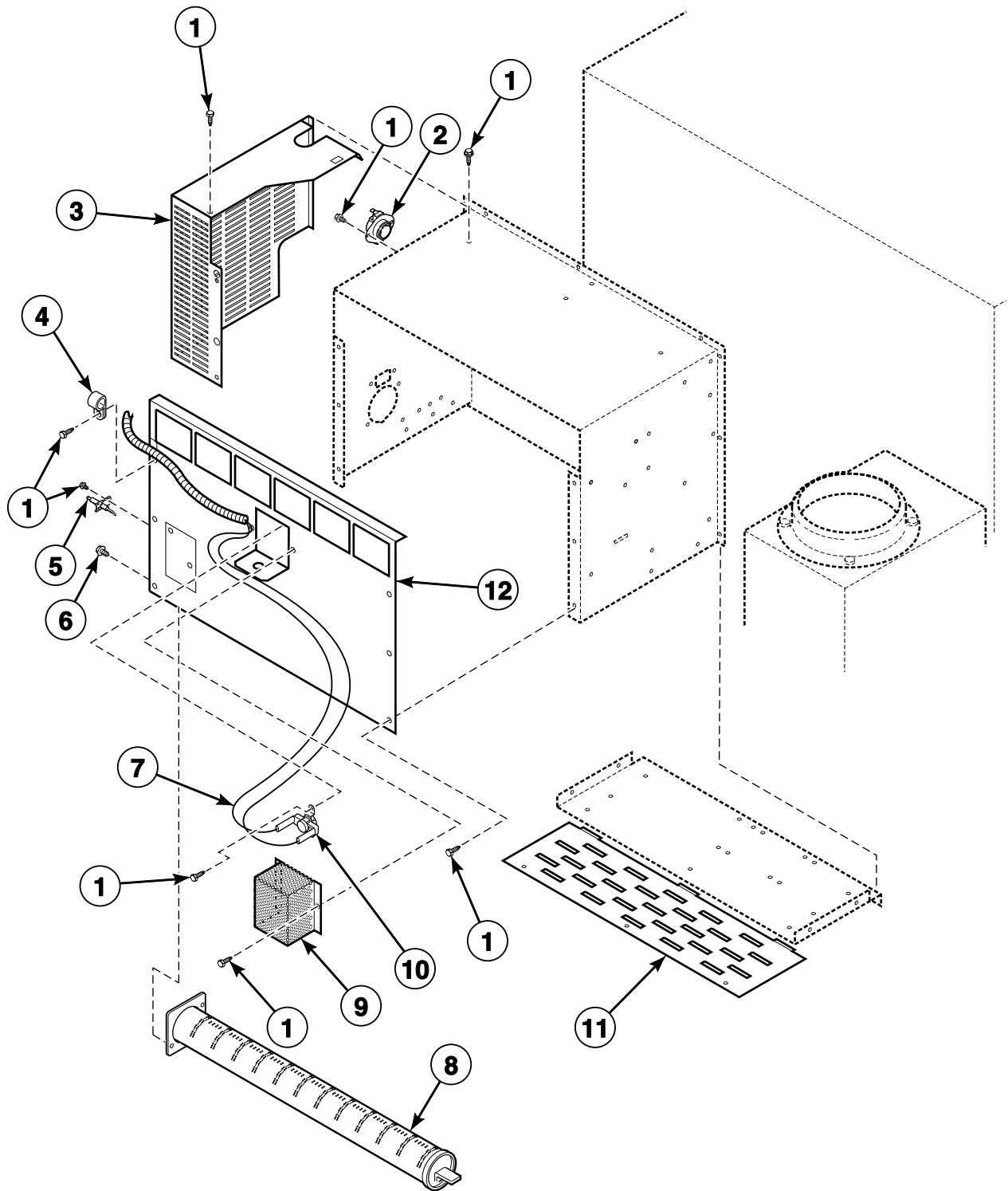


TMB2314P_70304801

Blower and Exhaust Components

REF	PART NO.	DESCRIPTION	COMMENTS
	70392701	Foam Gasket	For blower housing opening
1	70337501P	Blower Motor	T30 models; 100-230 Volt/60 Hertz/1 Phase and 100-200 Volt/50 Hertz/1 Phase
	70337601P	Blower Motor Kit	T30 models; 120-240 Volt/60 Hertz/1 Phase; Low Amp
	70337701P	Blower Motor Kit	T30 models; 230-240 Volt/50 Hertz/1 Phase
	70342601P	Blower Motor	200-480 Volt/60 Hertz/3 Phase and 200-415 Volt/50 Hertz/3 Phase
	70297901P	Blower Motor	T45 models; 100-120 or 208-240 Volt/60 Hertz/1 Phase
2	70321701	Motor Conduit Mounting Bracket	
3	23222	Screw	
4	70316901P	Fan Motor Harness	1 Phase models; 3 Phase electric models with 240 Volt and below
	70317001	Fan Motor Harness	3 Phase models except electric models with 240 Volt and below
5	70144101	Key	
6	29786	Nut	4 required
7	70126101	Screw	4 required
8	430497	Screw	12 required
9	70346301	Thermistor Cover	
10	M414704	Thermistor	
11	M411307	Limit Thermostat	Auto reset
12	70341401	Blower Housing Cover Assembly	T30 models
	70322801	Blower Housing Cover Assembly	T45 models
13	51780	Screw	
14	70340801	Blower Housing Scroll	T30 models
	70303201	Blower Housing Scroll	T45 models
15	70014101	Blower Inlet Cone	T30 models
	70303101	Blower Inlet Cone	T45 models
16	70200301	Rear Stabilizer Bracket	
17	70340401	Exhaust Duct Gaskets Assembly	T30 models; 2 required
	70302801P	Exhaust Duct Gaskets Assembly	T45 models; 2 required
18	M411072	Screw	2 required
19	70340301	Duct Access Cover	T30 models; 2 required
	70308701	Duct Access Cover	T45 models
20	70340501	Exhaust Duct Assembly	T30 models; Includes cap, dampers and gaskets; Order item 14 separately
	70311901	Exhaust Duct Assembly	T45 models; Includes cap, dampers and gaskets; Order item 14 separately
21	70226701	Clip	
22	70207501	Duct Cover	T30 models
	70307601	Duct Cover	T45 models
23	M400991	Washer	3 required
24	70341001	Blower Motor Mounting Plate	T30 models
	70303401	Blower Motor Mounting Plate	T45 models
25	70359801P	Blower Assembly	T30 models
	70302201P	Blower Assembly	T45 models
26	M400022	Nut	
27	M400034	Nut	
28	70366201	Wire Clip	2 required

Gas Burner Housing and Secondary Stove Limit

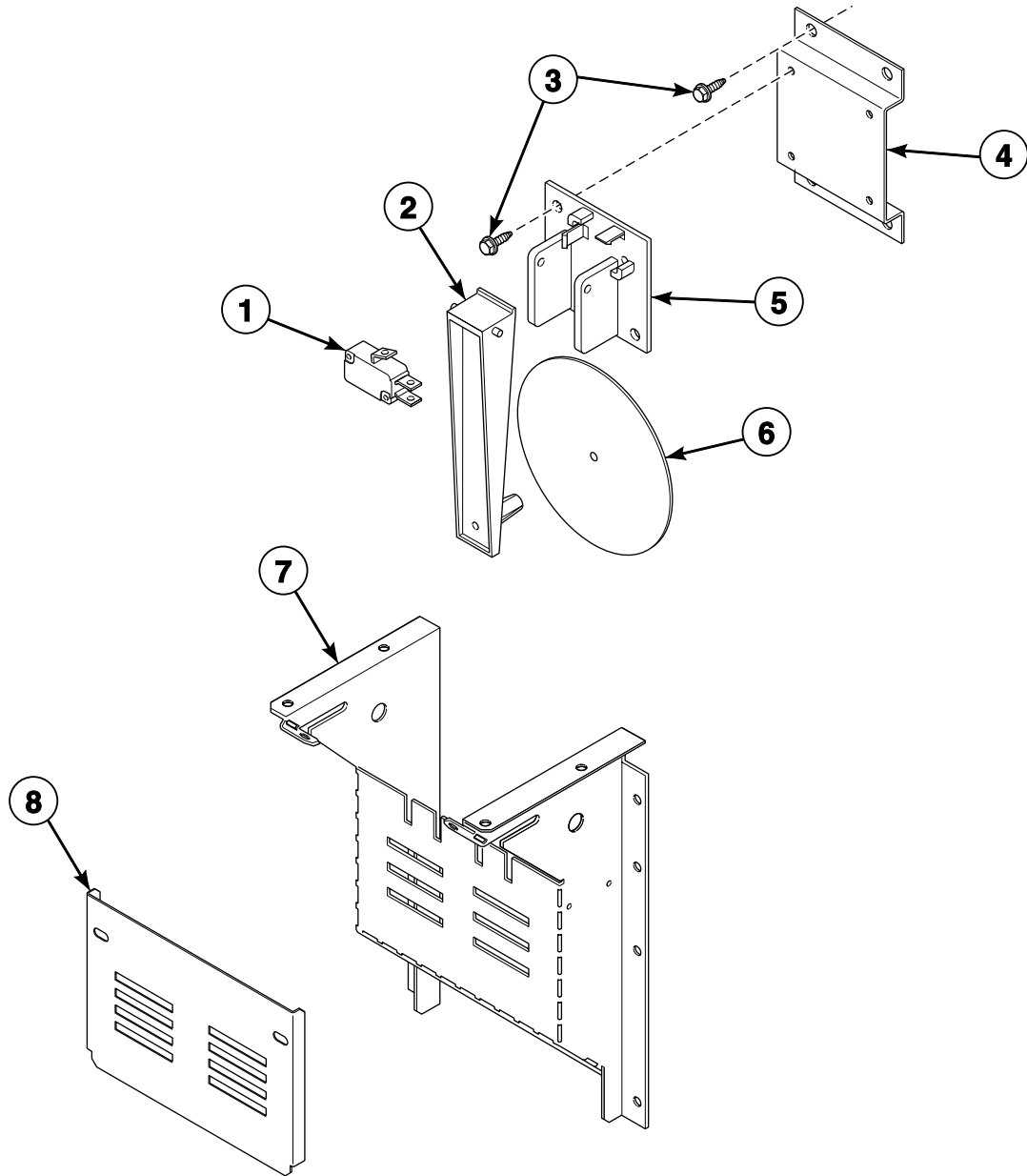


TMB2315P_70304801

Gas Burner Housing and Secondary Stove Limit

REF	PART NO.	DESCRIPTION	COMMENTS
	70316501	Stove Limit Harness	
1	430497	Screw	
2	M409219	Limit Thermostat	Non-CE models
	70186301	Manual Reset Thermostat	Australian models
3	70233401	Gas Valve Cover	CE models
4	70203701	Pipe Clip	
5	70032801P	Spark Electrode	
6	05161	Screw	
7	70316501	Stove Limit Harness	
8	70229801	Gas Burner	
9	M414477	Thermostat Cover	
10	70299001	Limit Thermostat	
11	70188801	Burner Grill	T30 models
	70306501	Burner Grill	T45 models
12	70371501	Stove Back	T30 models
	70375201	Stove Back	T45 models

Airflow Switch

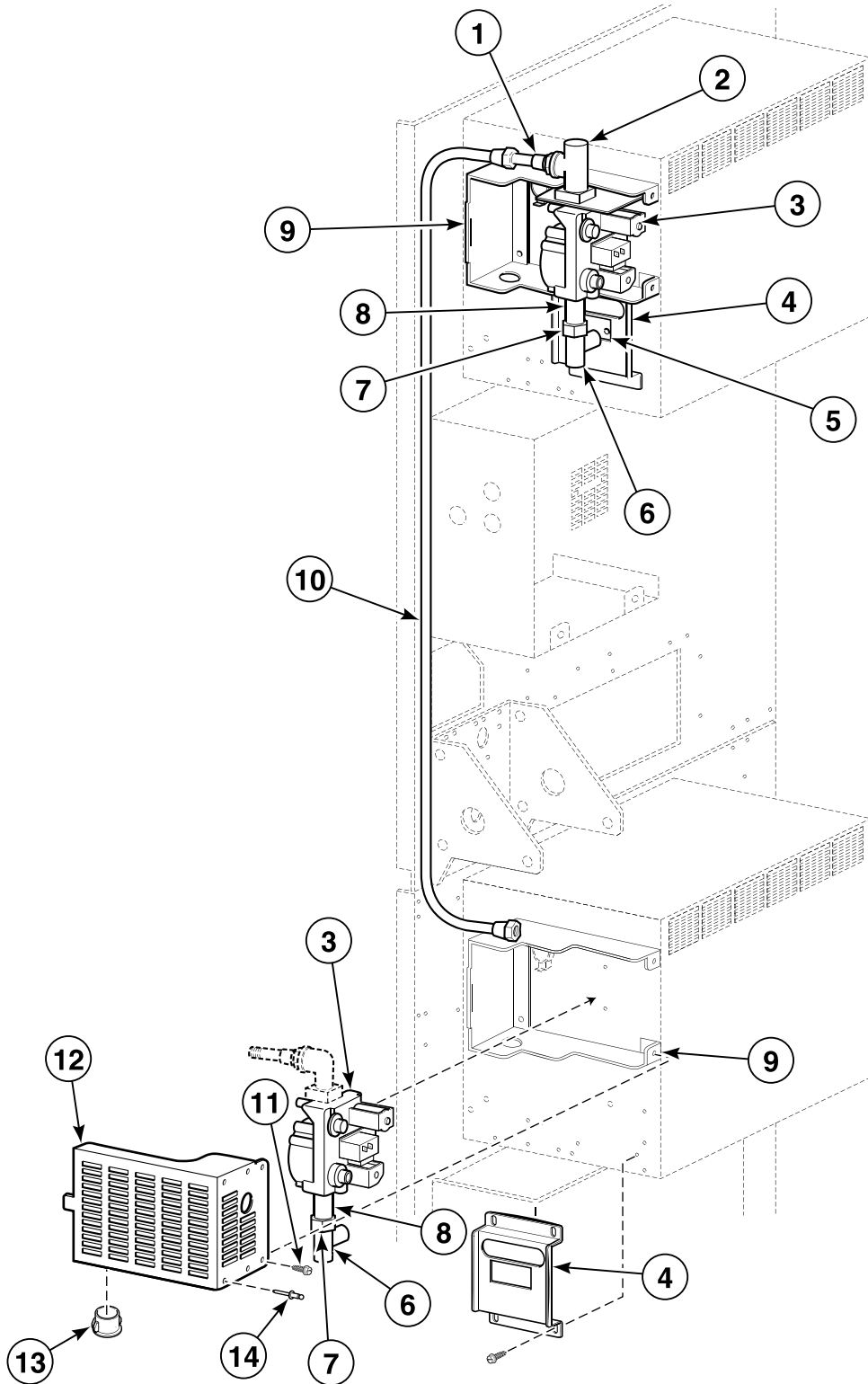


TMB2335P_70304801

Airflow Switch

REF	PART NO.	DESCRIPTION	COMMENTS
1	70313101	Switch	
2	70319401	Airflow Switch Arm	
3	430497	Screw	
4	70356301	Airflow Switch Bracket	
5	70319601	Airflow Switch and Arm Bracket	
6	70319201	Airflow Switch Vane	
7	70356101	Airflow Switch Wrapper	
8	70356601	Airflow Switch Cover	

Gas Valve and Piping - Non-CE and Non-Australian Gas Models



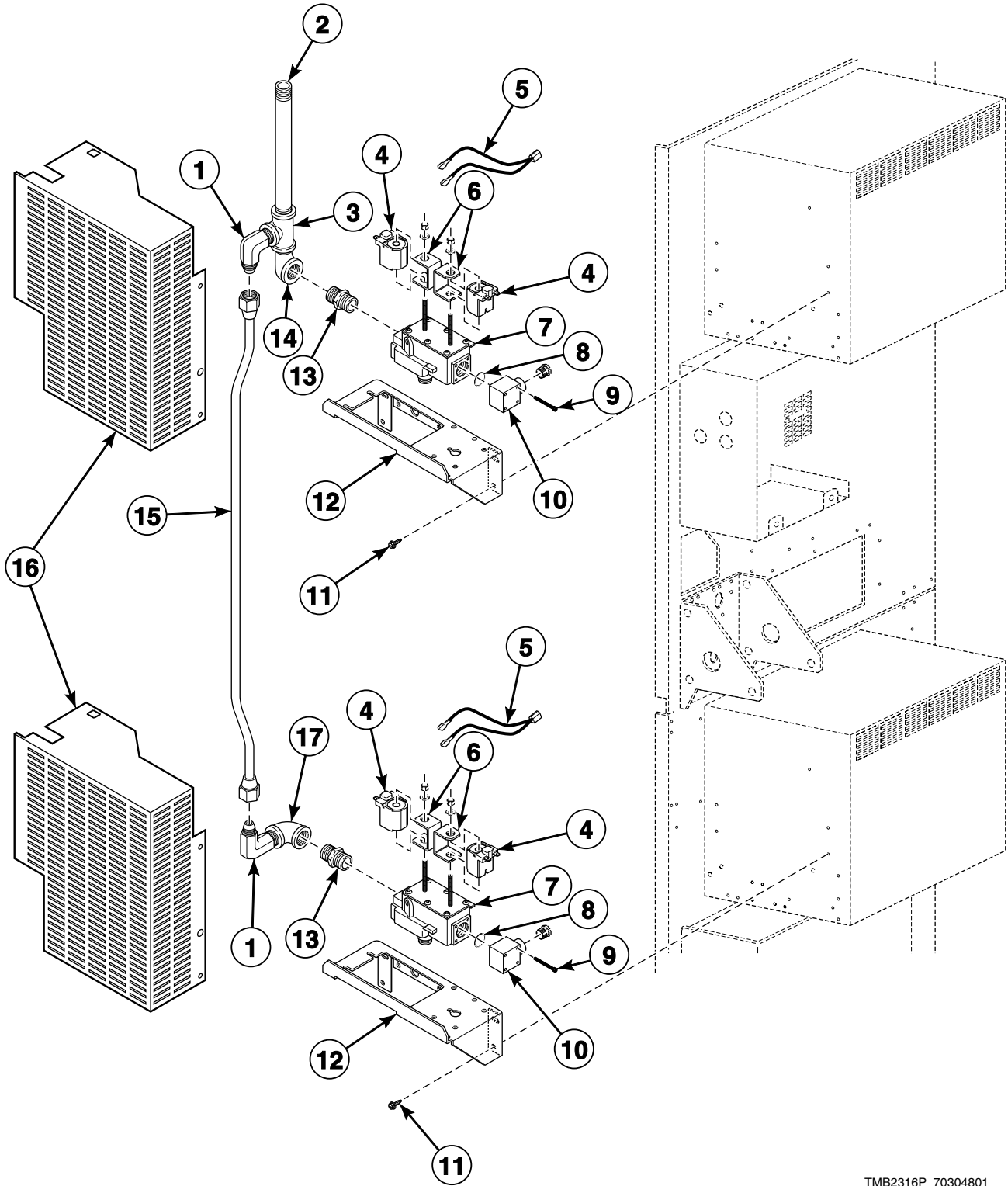
TMB2027P_70304801

Gas Valve and Piping - Non-CE and Non-Australian Gas Models

REF	PART NO.	DESCRIPTION	COMMENTS
	M4707P3	L.P. Conversion Kit	T30 models; 0-2,000 feet
	M4880P3	L.P. Conversion Kit	T45 models; 0-2,000 feet
	M413650	Gas Valve Harness Assembly	
	M406361	Burner Orifice	Liquid Petroleum Gas (L.P.); 0-2,000 feet; Drill no. 40 (2.5 mm)
	M403017	Burner Orifice	L.P.; 2,001-6,000 feet; Drill no. 42 (2.4 mm)
	M406184	Burner Orifice	L.P.; 6,001-8,000 feet; Drill no. 43 (2.3 mm)
	M401011	Burner Orifice	L.P.; 8,001-10,000 feet; Drill no. 44 (2.2 mm)
	M401002	Burner Orifice	Natural Gas (N.G.); 0-2,000 feet; Drill no. 20 (4.1 mm)
	M402996	Burner Orifice	N.G.; 2,001-4,000 feet; Drill no. 22 (4.0 mm)
	M402980	Burner Orifice	N.G.; 4,001-6,000 feet; Drill no. 24 (3.9 mm)
	M401000	Burner Orifice	N.G.; 6,001-8,000 feet; Drill no. 26 (3.7 mm)
	M401014	Burner Orifice	N.G.; 8,001-10,000 feet; Drill no. 28 (3.6 mm)
1	70262601	Pipe	
2	70267501	Pipe Tee	
3	M414445P	N.G. Gas Valve	
	M414446P	L.P. Gas Valve	
4	70248901	Orifice Holder Bracket	
5	70249001	Orifice Keeper Bracket	
6	70297801	Orifice Adapter	
7	M401548	Nut	
8	70263101	Tailpiece	
9	70328201	Forward Valve Cover	
10	70281601	Tube	T30 models
	70281602	Tube	T45 models
11	430497	Screw	
12	70282401	Rear Valve Cover	
13	M400770	Snap Bushing	
14	70058501	Pop Rivet	3/16 inch

Gas Valve and Piping - CE and Australian Gas Models

T30 Models



TMB2316P_70304801

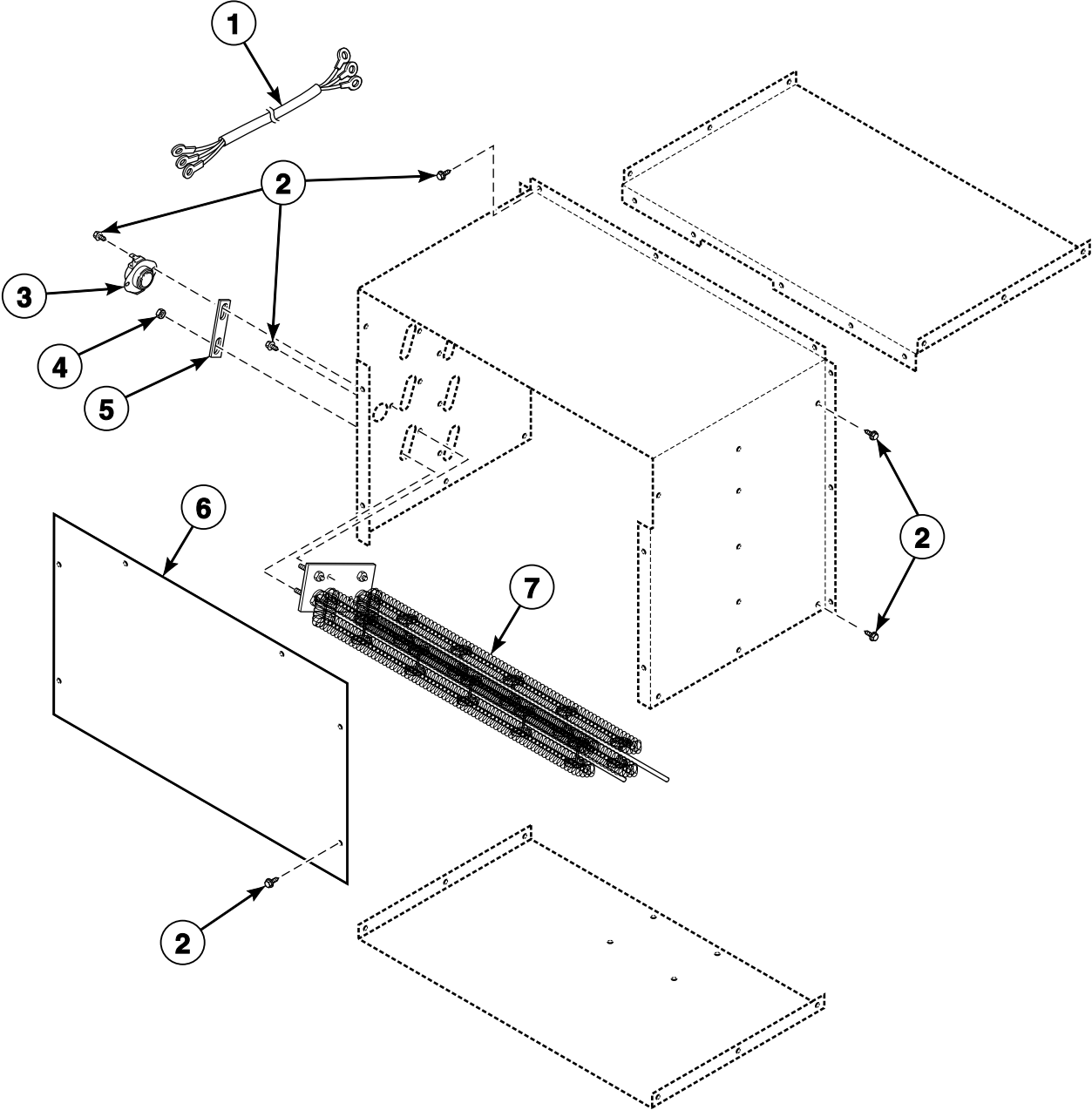
Gas Valve and Piping - CE and Australian Gas Models

REF	PART NO.	DESCRIPTION	COMMENTS
	M4733P3	N.G. Valve Conversion Kit	Regulated; Liquid Petroleum Gas (L.P.) to Natural Gas (N.G.)
	M4734P3	L.P. Valve Conversion Kit	Unregulated; N.G. to L.P.
	M4746P3	Valve Bracket and Cover Kit	Includes items 12 and 16
1	70208701	Elbow	
2	70210201	Nipple	
3	70071801	Tee	
4	70260101	Gas Valve Coil	24 Volt
5	M413650	Gas Valve Harness Assembly	
6	70260601	Valve Coil Bracket	
7	70257501P	N.G. Valve	
	70257601P	L.P. Valve	
8	431482	O-Ring	
9	431484	Screw	
10	70223501	Spud Adapter	
11	430497	Screw	
12	70233301	Gas Valve Bracket	
13	70131901	Adapter	
14	H86070034	Street Elbow	
15	70203601	Gas Line Assembly	
16	70233401	Gas Valve Cover	

NOTE: For CE gas and orifice information, refer to installation manual.

Electric Heater Components

T30 Electric Models



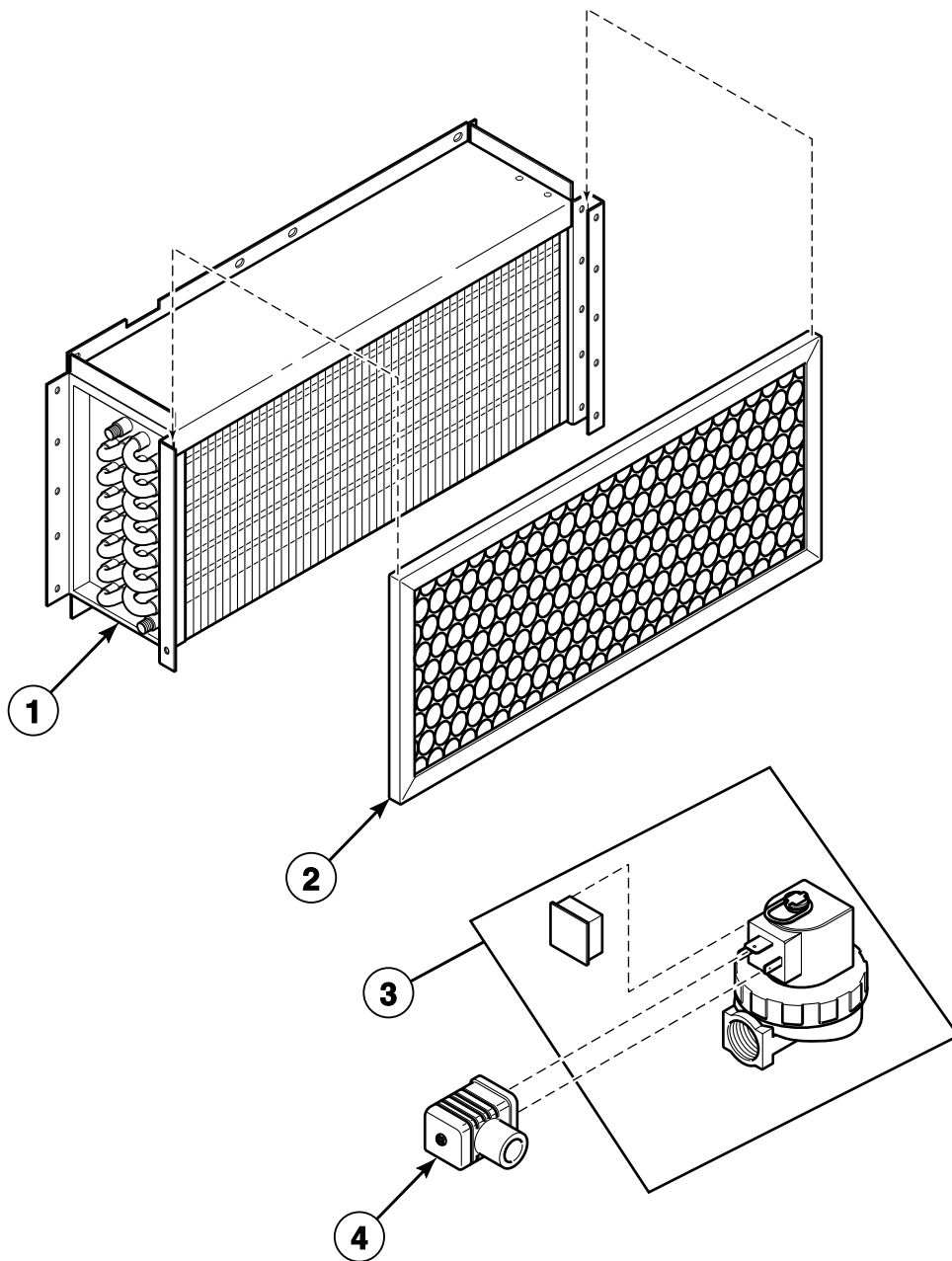
TMB2317P_70304801

Electric Heater Components

REF	PART NO.	DESCRIPTION	COMMENTS
	70214901	Stove Grill	
1	70167901	Heater Cable Set Assembly	H1-H3
	70168001	Heater Cable Set Assembly	H4-H6; Models with 240 Volt and below
2	430497	Screw	
3	M410220	Limit Thermostat	
4	Q6163	Nut	
5	M400869	Jumper Strip	
6	70214901	Stove Grill	
7	70034401P	Heater Element	7 kW; 208 Volt
	70034402P	Heater Element	7 kW; 220 and 380 Volt
	70034403P	Heater Element	7 kW; 230, 240, 415 and 480 Volt

Steam Heater Components

T30 Steam Models



TMB2318P_70304801

Steam Heater Components

REF	PART NO.	DESCRIPTION	COMMENTS
1	70369101	Steam Coil	4 coil
2	70036001	Air Filter	
3	70205701P	Steam Valve Coil	60 Hertz
	M412258	Steam Valve Coil	50 Hertz
4	70370301P	Solenoid Valve Din Connector	

Control Tray Components

PART NO.	DESCRIPTION	COMMENTS
70315801	Junction Box Harness	Dual secondary
70347701	Power Harness	1 Phase gas and steam models
70316101P	Power Harness	3 Phase gas and steam models; 240 Volt and less
70332201	Power Harness	3 Phase gas and steam models; Greater than 240 Volt
70357401	Power Harness	Electric models; 240 Volt and less
70357501	Power Harness	Electric models; Greater than 240 Volt
70316201	Power Harness	Gas and steam models; Upper pocket to lower pocket
70320201	Motor Contactor Harness	3 Phase; 1 per pocket
M413878	Capacitor Network Harness Assembly	Gas and steam models with 3O, 3V and 3X control suffixes
M413863	Network Capacitor Assembly	3O, 3V and 3X control suffixes
70286501	Network Harness Assembly	Electric models with 3O, 3V and 3X control suffixes
70316301	Ignition Control Harness	HT, LT, PT, ST and UT gas models
70316401	Ignition Control Harness	HA, HU, LU, PA, PU, SA, SU, UA and UU gas models
70322401P	Steam Configuration Harness	Steam models
70342101	Gas Disconnect Harness	CE gas and steam models
M413505	Jumper Harness Assembly	208 Volt/60 Hertz/1 Phase; 240 Volt/60 Hertz/1 Phase
M413506	Jumper Harness Assembly	100 or 200 Volt/50 Hertz/1 Phase; 100 or 200-220 Volt/60 Hertz/1 Phase; 200 Volt/50 Hertz/1 Phase; 200 Volt/60 Hertz/1 Phase; 200 Volt/50 Hertz/3 Phase; 200-208 Volt/60 Hertz/3 Phase and 200-208 or 240 Volt/60 Hertz/3 Phase
M413507	Jumper Configuration Assembly	230 Volt/50 Hertz/1 Phase; 240 Volt/50 Hertz/1 Phase; 230 Volt/50 Hertz/3 Phase; 240 Volt/60 Hertz/3 Phase and 200-208 or 240 Volt/60 Hertz/3 Phase
M413508	Jumper Harness Assembly	380 Volt/50 Hertz/3 Phase and 380 or 400-415 Volt/50 Hertz/3 Phase
M413509	Jumper Harness Assembly	400-415 Volt/50 Hertz/3 Phase and 400 Volt/50 Hertz/3 Phase
M413510	Jumper Configuration Assembly	460-480 Volt/60 Hertz/3 Phase and 480 Volt/60 Hertz/3 Phase
70357601P	Electric Configuration Harness	Electric models
70355801P	Electric Contactor Jumper Set Harness	Electric models; 240 Volt and less
70260201	Jumper Wire	10 inches; Black
70139001	Jumper Assembly	8 gauge; 10 inches; 200-240 Volt; Non-CE electric models
M414121	Jumper Cable Assembly	8 gauge; 6.75 inches; 230 Volt/1 Phase and 230 Volt/3 Phase; 6 required; CE models
M413933	Jumper Cable Assembly	8 gauge; 7.5 inches; Non-CE electric models; 200-240 Volt/3 Phase: 6 required; 1 Phase: 4 required
70316601	Stove Limit Bypass Harness	Steam and electric models
70389901	Steam Stove Limit Bypass Harness	Steam models
70371301P	Cable Set Heater Assembly	Electric models
70371401P	Cable Set Heater Assembly	Electric models; 240 Volt and less
70313601	Fuse Bracket	Models with greater than 240 Volt
70306901	Fuse Bracket	Models with 240 Volt and less
M414103	Fuse	1.25 Amp
70328102	Fuse	2 Amp
70328101	Fuse	3.5 Amp
70329401	Fuse Holder Body	
70329501	Fuse Holder Cap	
70313301	Fuse Cover	
70342501P	Extension Handle	CE gas and steam models; 230 Volt/50 Hertz/1 or 3 Phase; 380 Volt/50 Hertz/3 Phase
70333001	Terminal Block Shield	
70367301P	Ignition Control	Non-CE gas models; 24 Volt
70323701P	Contactor	Motor

Accessory Box Components

PART NO.	DESCRIPTION	COMMENTS
70343301P	Contactor	Electric models; Heating element

Parts Index

A

Adapter	
70131901	51
Air Filter	
70036001	55
Airflow Switch and Arm Bracket	
70319601	47
Airflow Switch Arm	
70319401	47
Airflow Switch Bracket	
70356301	47
Airflow Switch Cover	
70356601	47
Airflow Switch Vane	
70319201	47
Airflow Switch Wrapper	
70356101	47
Audit Switch Bracket	
70183901	11, 13
70292601	17, 19

B

Base Harness	
70345801	31
Belt	
70276201P	41
70276204P	41
Belt Tension Tool Kit	
M4853P3	41
Blower Assembly	
70302201P	43
70359801P	43
Blower Housing Cover Assembly	
70322801	43
70341401	43
Blower Housing Scroll	
70303201	43
70340801	43
Blower Inlet Cone	
70014101	43
70303101	43
Blower Motor	
70297901P	43
70337501P	43
70342601P	43
Blower Motor Kit	
70337601P	43
70337701P	43
Blower Motor Mounting Plate	
70303401	43
70341001	43
Bolt	
70062401	41
70392801	37
Burner Grill	
70188801	45
70306501	45

Burner Orifice	
M401000	49
M401002	49
M401011	49
M401014	49
M402980	49
M402996	49
M403017	49
M406184	49
M406361	49
Buzzer Kit	
M4860P3	7
Bypass Harness	
70364103	5, 7, 13, 21

C

Cable Set Heater Assembly	
70371301P	56
70371401P	56
Capacitor Network Harness Assembly	
M413878	56
Card Reader and Bracket Assembly	
510068P	21
Card Reader Harness Assembly	
70211801	21
Card Reader Network Harness Assembly	
70206601	21
Card Reader Overlay	
70334201	13
70334301	13
Center Cylinder Seal	
70066005	39
Center Cylinder Seal Assembly	
70066003	39
Center Partition	
70301601	39
70339201	39
Center Trim	
70299601	31
Center Trim Overlay	
70299701	31
Channel Base Assembly	
70288201	39
Chassis Mounting Bracket	
70119001	13
Clip	
70226701	39, 43
Coin Drop	
38479P	15
38963P	15
39748	15
70256402P	15
Coin Drop Assembly	
200578P	15
210195	15
210196	15
38462P	15
38463	15
38464P	15
38467	15

N/A items do not appear in index.

38472	15
38475	15
38478	15
38519	15
38521	15
38522	15
39157	15
Coin Vault Switch Harness	
70364104P	31
Coin Vault Trim	
70117501	31
70117502	31
Communication Board	
210097	25
Communication Board Bracket	
70323101	25
Communication Harness Assembly	
70211101	23
Contact Block	
44018701	33
Contacto	
70323701P	56
70343301P	57
Control Assembly	
511867P	11, 13
512199	5
512202P	7
Control Chassis Mounting Bracket	
70357901	7
70357902	5
Control Door Assembly	
70175911	21
70361201	7
70365101	5
70365801	5
Control Door Latch	
431318	5, 7, 13, 19, 21
Control Housing	
70119901	31
Control Housing Cover	
70307002	23
Control Kit	
505905P	19, 21
Control Panel Harness	
70315501P	11, 21
70315601	9
70367001P	7
70367101	5
70368001P	13, 19, 21
70369001	5
Control Panel Harness Assembly	
70315701	9
Control Plate Assembly	
70348901	13
70349001	13
70365601	7
Control Plate Kit	
70279301P	9
70291101P	11, 17, 19
70291201P	11, 17
Control Trim	
70116901	31
70116902	31
70117001	31
70120501	31

Cylinder Assembly	
70372501	37
70372502	37
70372901P	37
70372902P	37
Cylinder Bearing Stud Plate Assembly	
430352	37, 39
Cylinder Guide Tool	
263P4	37
Cylinder Idler Arm	
70259901	41
Cylinder Idler Bracket	
70261601	41
Cylinder Motor Harness	
70316701P	41
70316801P	41
Cylinder Shroud	
70301901	39
70301902	39
70339301	39
70339302	39

D

Data Connector, 3 Circuit	
210155	25
Display Assembly	
512218P	7
Door Assembly	
44028902	27
44046701	27
44058001	27
44058002	27
44058102	27
70064100	27
70212200	27
70212300	27
Door Glass	
M400784P	27
44008401P	27
44008402P	27
70133601P	27
Door Glass Seal Kit	
70211901P	27
Door Handle	
M400133	27
430117	27
44007901	27
44057701	27
44057702	27
70024801	27
Door Hinge	
44075205*	27
70115901*	27
70115902	27
Door Hinge Assembly	
44075206	27
Door Hinge Cam Assembly Kit	
M4771P3	27
Door Hinge Lug Assembly	
44035001	27
Door Latch	
M401223	31

N/A items do not appear in index.

Door Ring Assembly 44043501	27
Door Ring Gasket 44008201P	27
70296801	27
Door Seal Kit 70211902P	27
Door Switch Actuator Kit 70215001P	27
Double Ended Stud 70334701	41
Drive Access Cover 70202501	41
Drive Motor 70298201P	41
70298401	41
70337801P	41
70338101P	41
Drive Motor Kit 70337901P	41
70338001P	41
Drum Idler Spring 70045301	41
Drywall Screw Magnet Kit 70343101P	37
Duct Access Cover 70308701	43
70340301	43
Duct Cover 70207501	43
70307601	43

E

Elbow 70208701	51
Electric Configuration Harness 70357601P	56
Electric Contactor Jumper Set Harness 70355801P	56
Electronic Coin Drop Assembly 70294101P	15
70294103P	15
70294104	15
70294105P	15
70294106	15
70294107	15
70294109	15
Electronic Coin Drop Harness 44065801	15
Electronic Control 44051001P	9
Emergency Stop Harness 70364101P	33
70364102	33
Emergency Stop Label M412235	33
End Cap 70070101	37
Exhaust Duct Assembly 70311901	43
70340501	43

Exhaust Duct Gaskets Assembly 70302801P	43
70340401	43
Expansion Clip 70030501	39
Extension Handle 70342501P	56

F

False Front Kit 70371701*P	29
70371702P	29
Fan Motor Harness 70316901P	43
70317001	43
Foam Gasket 70392701	43
Forward Valve Cover 70328201	49
Front Panel Baffle Seal 70017301	31
Fuse M414103	56
70328101	56
70328102	56
Fuse Bracket 70306901	56
70313601	56
Fuse Cover 70313301	56
Fuse Holder Body 70329401	56
Fuse Holder Cap 70329501	56

G

Gas Burner 70229801	45
Gas Disconnect Harness 70342101	56
Gas Line Assembly 70203601	51
Gas Valve Bracket 70233301	51
Gas Valve Coil 70260101	51
Gas Valve Cover 70233401	45, 51
Gas Valve Harness Assembly M413650	49, 51
Graphic Overlay 70279101	9
70279201	9
70279202	9

H

Heater Cable Set Assembly 70167901	53
---	----

N/A items do not appear in index.

70168001	53
Heater Element	
70034401P	53
70034402P	53
70034403P	53

I

Idler Spring Tab	
70179701	41
Idler Wheel Assembly	
70050401P	41
Ignition Control	
70367301P	56
Ignition Control Harness	
70316301	56
70316401	56

J

Jumper Assembly	
70139001	56
Jumper Cable Assembly	
M413933	56
M414121	56
Jumper Calibration Assembly	
70211703	19, 21
Jumper Calibration Wire	
70324603	5, 7
Jumper Configuration Assembly	
M413507	56
M413510	56
Jumper Harness Assembly	
M413505	56
M413506	56
M413508	56
M413509	56
Jumper Strip	
M400869	53
Jumper Wire	
70260201	56
Junction Box Harness	
70315801	56

K

Key	
70144101	43
70155601	31
70155602	35
Kickplate	
70117605	31
70117606	31

L

Label	
70286601	31
Latch Mounting Bracket	
70119801	5, 7

70184501	13, 19, 21
Light	
801431	5
Limit Thermostat	
M409219	45
M410220	53
M411307	43
70299001	45
Lint Drawer Front Assembly	
70323001	35
70323002	35
Lint Drawer Front Kit	
70322901P	35
70322902P	35
Lint Drawer Gasket	
70117901P	31
70300201	31
Lint Drawer Handle	
70320801	35
70320802	35
Lint Drawer Handle Plate	
70323201	35
Lint Drawer Switch	
431159	39
Lint Frame Gasket	
70333101	35
70333103	35
Lint Screen Assembly	
70290601	35
70301201	35
Lint Screen Bracket	
70026901	35
Lint Screen Panel Assembly	
70173802	35
Lock, Key and Nut Kit	
44089301P	31
44089302P	35
Lower Front Panel Assembly	
70176101*P	29
70176102P	29
70176103*P	29
70176104P	29
70176105*P	29
70176106	29
70176107*P	29
70176108	29
70391201*	29
70391202	29
70391203*	29
70391204	29
70391205*	29
70391206	29
70391401*P	29
70391402P	29
70391403*P	29
70391404	29
L.P. Conversion Kit	
M4707P3	49
M4880P3	49
L.P. Gas Valve	
M414446P	49
L.P. Valve	
70257601P	51
L.P. Valve Conversion Kit	
M4734P3	51

N/A items do not appear in index.

M

Main Harness	
70346001	5, 7, 11, 13, 19, 21
70346002P	19, 21
Male Tab Terminal	
00177	5, 7
Manual Reset Thermostat	
70186301	45
Motor Capacitor	
70211401	41
70211502	41
Motor Channel	
70261701	41
Motor Conduit Mounting Bracket	
70321701	41, 43
Motor Contactor Harness	
70320201	41, 56
Motor Mount Bracket	
70127301	41
70312001	41
Motor Pulley	
70284201	41
70284203	41
70284208	41
Mounting Plate	
70208801	13

N

Nameplate	
44046801	31
44062901	31
70289201	31
70289801	31
Network Board Assembly	
210016P	23
Network Capacitor Assembly	
M413863	56
Network Harness Assembly	
70286501	56
Network Wire Harness Assembly	
800217	23
Nipple	
70210201	51
Nut	
M400022	37, 43
M400034	37, 43
M401548	49
M412986	37, 41
M414215	27
Q6163	53
21899	39
23951	27
24205	5, 7
27222	41
29786	5, 11, 17, 19, 43
29787	7, 9
29796	41
430576	39
44071201	27
44087101	35
44088801	31, 35

56156	41
70030401	39
70054	5, 7, 13, 21, 27
70288801	39
N.G. Gas Valve	
M414445P	49
N.G. Valve	
70257501P	51
N.G. Valve Conversion Kit	
M4733P3	51

O

Opto Coupler	
200674P	15
Orifice Adapter	
70297801	49
Orifice Holder Bracket	
70248901	49
Orifice Keeper Bracket	
70249001	49
O-Ring	
431482	51
Overlay	
70114601	31
70114701	35
70115201	35
70115301	35
70115401	31
70129501	11
70129601	11
70129701	11
70129801	11
70136301	35
70136401	35
70136501	35
70136601	35
70137001	31
70137101	35
70184101	19
70184102	19
70184201	21
70235101	21
70243801	31
70257801	11
70257802	11
70258101	11
70258102	11
70258201	35
70261101	11
70261102	11
70261301	11
70261302	11
70275401	11
70285001	35
70286701	11
70286801	11
70299901	35
70300001	35
70304201	13
70304301	35
70321001	11
70325301	35
70335801	13
70336001	13
70351501	13

N/A items do not appear in index.

70351601	35
70351701	35
70361301	7
70361401	7
70361601	35
70361901	5
70362001	5
70362101	35
70362301	31
70362601	31
70362701	31
70363101	35
70375301	35
70381101	35
70381201	35

P

Panel Clip	
M406494	31
Panel Locator	
56079	7
PC Board Standoff	
210098	25
Pin	
70071401	27
Pipe	
70262601	49
Pipe Clip	
70203701	45
Pipe Tee	
70267501	49
Pop Rivet	
M400003	5, 7, 13, 19, 21, 31
70058501	27, 39, 49
70126301	31
70126401	31
Power Harness	
70316101P	56
70316201	56
70332201	56
70347701	56
70357401	56
70357501	56
Pushbutton	
44018801	33
Pushbutton Switch	
70107001	11, 13, 17, 19, 31

R

Rear Cylinder Bearing Housing	
70013901	37
Rear Cylinder Channel	
70257101	37
70305201	37
Rear Cylinder Channel Plate	
70257201	37
70305301	37
Rear Cylinder Seal	
70013701P	37, 39
70013703	37, 39

Rear Cylinder Seal Support	
70017201	37, 39
70305401	37, 39
Rear Panel	
70301701	39
70339401	39
70339402	39
Rear Stabilizer Bracket	
70200301	43
Rear Valve Cover	
70282401	49
Rocker Switch	
70360801	7
70365901	5, 7
Roller Bearing Assembly	
70298701P	39
Roller Shaft	
70249501	39

S

Screw	
M400044	27
M400056	41
M400661	27
M405188	31
M411072	43
M412985	41
05161	45
23222	41, 43
430497	23, 37, 39, 41, 43, 45, 47, 49, 51, 53
430648	41
430756	27
430757	27
431484	51
501524	5, 7, 11, 13, 19, 21
51780	43
61199	27
62588	37
70033502	27, 31
70069901	31
70126101	43
70182601	31
70247701	39
70275801	31
Shadow Box Clip	
M400972	31
Sheet Metal Edge Gasket	
70015707	39
70015708	39
70015711	39
70015712	39
Side Panel	
70231801*P	39
70301801*P	39
Slot Card Plate Assembly	
44089501	13
Snap Bushing	
M400770	49
Solenoid Valve Din Connector	
70370301P	55
Spark Electrode	
70032801P	45
Spud Adapter	
70223501	51

N/A items do not appear in index.

Steam Coil	
70369101	55
Steam Configuration Harness	
70322401P	56
Steam Stove Limit Bypass Harness	
70389901	56
Steam Valve Coil	
M412258	55
70205701P	55
Stove Back	
70371501	45
70375201	45
Stove Grill	
70214901	53
Stove Limit Bypass Harness	
70316601	56
Stove Limit Harness	
70316501	45
Street Elbow	
H86070034	51
Support Bearing	
430038	37
Switch	
70313101	47

T

Tailpiece	
70263101	49
Tee	
70071801	51
Temperature Knob	
44104601	5, 7
Temperature Selector Bracket	
70350201	5
Temperature Selector Switch	
511711	5, 7
Temperature Selector Switch Bracket	
70391701	7
Terminal Block Shield	
70333001	56
Terminating Resistor	
210162	25
Thermistor	
M414704	43
Thermistor Cover	
70346301	43
Thermostat Cover	
M414477	45
Top Panel Assembly	
70357701	39
70357801	39
Trunion and Seal Kit	
70244701P	37
Tube	
70281601	49
70281602	49
Tumbler Dolly Kit	
M4379P4	31

U

Upper Front Panel Assembly	
70176001*P	29
70176002P	29
70176003*	29
70176004P	29
70391301*	29
70391302	29
70391303	29
70391501*P	29
70391502	29
70391503P	29

V

Valve Bracket and Cover Kit	
M4746P3	51
Valve Coil Bracket	
70260601	51

W

Washer	
M400080	37
M400991	37, 43
Q6712	39
70265901	41
70270301	41
70292801	17
Wire Clip	
70366201	43
Wire Guard	
201595P	15

N/A items do not appear in index.

