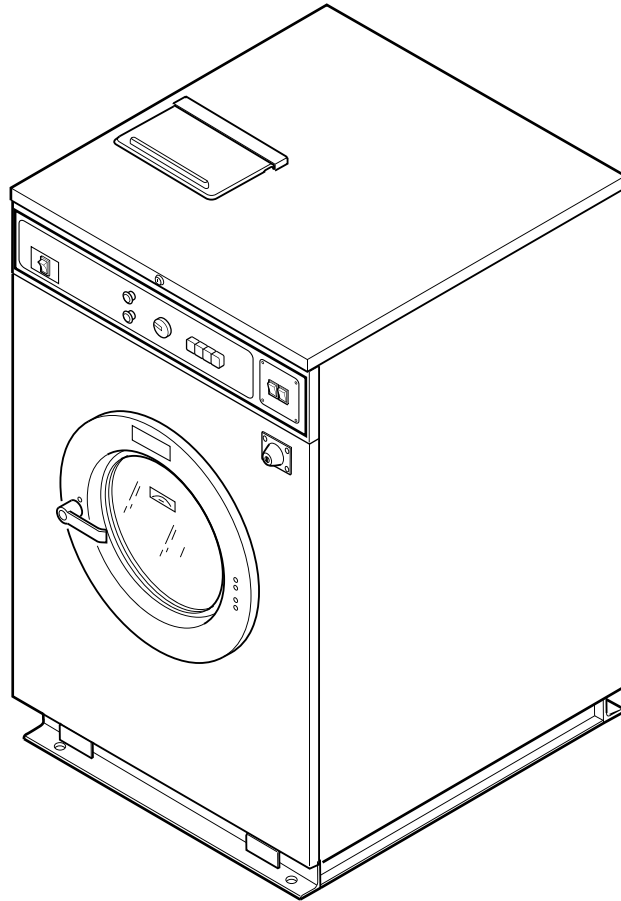


Washer-Extractor

Cabinet Hardmount
2 Speed Mechanical Timer Models
Refer to Page 5 for Model Numbers



CHM1624C_F232173

Table of Contents

Title	Page
Parts Ordering Information.....	3
Nameplate Location.....	3
Model Identification.....	5
Decals.....	6
Control Module (Drawing 1 of 3).....	8
Control Module (Drawing 2 of 3).....	10
Control Module (Drawing 3 of 3).....	12
Display Coin Meter Assembly - MC, MD and MX Models; Single Drop (Drawing 1 of 2).....	14
Display Coin Meter Assembly - MC, MD and MX Models; Single Drop (Drawing 2 of 2).....	16
Display Coin Meter Assembly - MC, MD and MX Models; Dual Drop (Drawing 1 of 2).....	18
Display Coin Meter Assembly - MC, MD and MX Models; Dual Drop (Drawing 2 of 2).....	20
W2000 Coin Meter Assembly - MC, MD and MX Models; Single Drop.....	22
W2000 Coin Meter Assembly - MC, MD and MX Models; Dual Drop.....	24
Coin Box (Optional).....	26
Vertical Eight Coin Meter Adapter Kit - Models Through 3/1/92.....	28
Vertical Eight Coin Meter Adapter Kit - Models Starting 3/1/92.....	30
Graphic Panel and Controls - For Newer Models without Extrusion.....	32
Graphic Panel and Controls - For Older Models with Extrusion (Drawing 1 of 2).....	34
Graphic Panel and Controls - For Older Models with Extrusion (Drawing 2 of 2).....	36
Switch Assembly.....	38
Door Lock - Coin Models Through 4/21/02.....	40
Door Lock - OPL Models Through 4/21/02.....	42
Door Lock - Coin Models Starting 4/22/02.....	44
Door Lock - OPL Models Starting 4/22/02.....	46
Door and Outer Front Panel (Drawing 1 of 3).....	48
Door and Outer Front Panel (Drawing 2 of 3).....	50
Door and Outer Front Panel (Drawing 3 of 3).....	52
Panels (Drawing 1 of 2).....	54
Panels (Drawing 2 of 2).....	56
Inner Front Panel Kit Replacements - OPL Models Starting 8/2/99.....	58
Inner Front Panel Kit Replacements - Coin Models Starting 8/2/99.....	60
Shell Front, Basket, Outer Shell and Trunnion Assembly (Drawing 1 of 2).....	62
Shell Front, Basket, Outer Shell and Trunnion Assembly (Drawing 2 of 2).....	64
Dispenser.....	66
Supply Dispenser Assembly - With Mueller Valve.....	68
3-Way Mixing Valve - Mueller.....	70
Supply Dispenser Assembly - With Elbi Valve.....	72
Automatic Supply Dispenser.....	74
Power Panel Assembly.....	76
Drain Valve Assembly - All Models Except HC50, SC50 and UC50 Models.....	78
Drain Valve Assembly - HC50, SC50 and UC50 Models.....	80

© Copyright 2007, Alliance Laundry Systems LLC

All rights reserved. No part of the contents of this book may be reproduced or transmitted in any form or by any means without the expressed written consent of the publisher.

Drain Assembly, Hoses and Air Trap - All Models Except HC27, SC27 and UC27 Models	82
Drain Valve Assembly, Hoses and Air Trap - HC50, SC50 and UC50 Models with Heat Shell	84
Drain Valve Assembly, Hoses and Air Trap - HC27, SC27 and UC27 Models	86
Pump Drain Option - HC27, SC27 and UC27 E-Voltage Models	88
Pump Drain Option - All Models Except HC27, SC27 and UC27 E-Voltage Models	90
Filter (Optional)	92
Motor, Pulley and Belt Assembly (Drawing 1 of 5)	94
Motor, Pulley and Belt Assembly (Drawing 2 of 5)	96
Motor, Pulley and Belt Assembly (Drawing 3 of 5)	98
Motor, Pulley and Belt Assembly (Drawing 4 of 5)	100
Motor, Pulley and Belt Assembly (Drawing 5 of 5)	102
Electric Heat Assembly	104
Steam Heat Assembly (Drawing 1 of 2)	106
Steam Heat Assembly (Drawing 2 of 2)	108
Special Tools	110
Parts Index	113

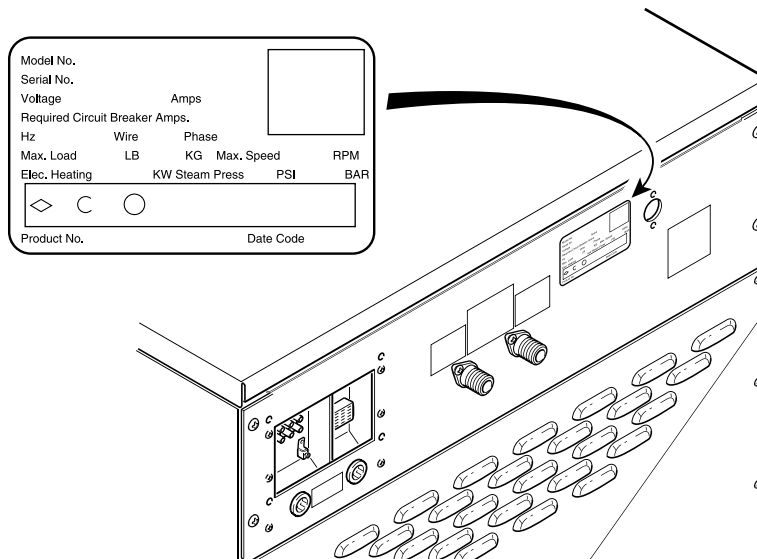
Parts Ordering Information

If literature or replacement parts are required, contact the source from whom the machine was purchased or contact Alliance Laundry Systems at (920) 748-3950 for the name and address of the nearest authorized parts distributor.

For technical assistance, call (920) 748-3121.

Nameplate Location

When calling or writing about your product, be sure to mention model and serial numbers. Model and serial numbers are located on nameplate(s) as shown.



CHM2454P_F232173

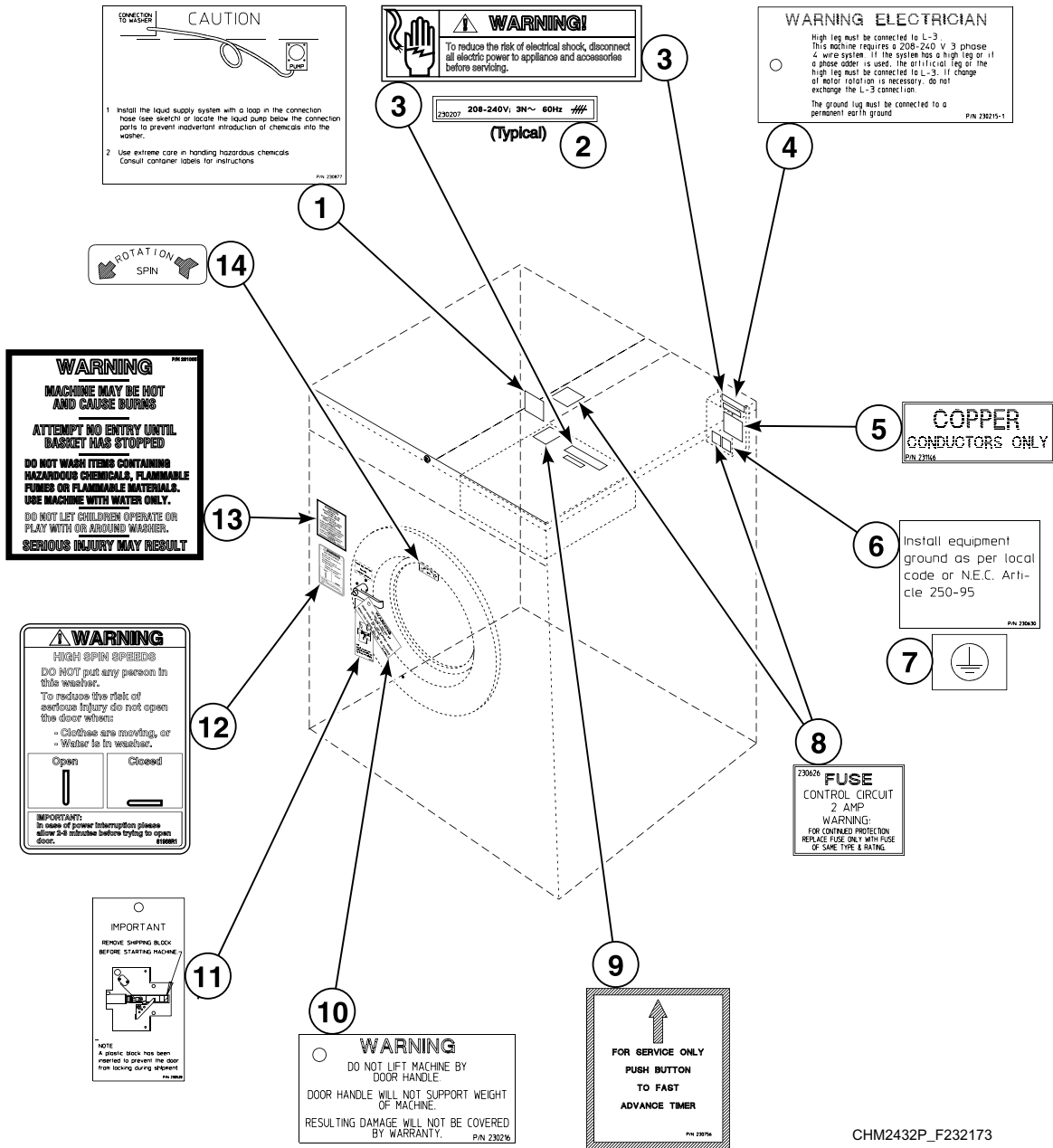
Model Identification

Information in this manual is applicable to these washer-extractor models:

HC18MC2	HC35MC2	SC25MC2	SC50MC2	UC27MC2
HC18MD2	HC35MD2	SC25MD2	SC50MD2	UC27MD2
HC18MH2	HC35MH2	SC25MH2	SC50MH2	UC27MH2
HC18MN2	HC35MN2	SC25MN2	SC50MN2	UC27MN2
HC18MV2	HC35MV2	SC25MV2	SC50MV2	UC27MV2
HC18MX2	HC35MX2	SC25MX2	SC50MX2	UC27MX2
HC25MC2	HC50MC2	SC27MC2	UC18MC2	UC35MC2
HC25MD2	HC50MD2	SC27MD2	UC18MD2	UC35MD2
HC25MH2	HC50MH2	SC27MH2	UC18MH2	UC35MH2
HC25MN2	HC50MN2	SC27MN2	UC18MN2	UC35MN2
HC25MV2	HC50MV2	SC27MV2	UC18MV2	UC35MV2
HC25MX2	HC50MX2	SC27MX2	UC18MX2	UC50MC2
HC27MC2	SC18MC2	SC35MC2	UC25MC2	UC50MD2
HC27MD2	SC18MD2	SC35MD2	UC25MD2	UC50MH2
HC27MH2	SC18MH2	SC35MH2	UC25MH2	UC50MN2
HC27MN2	SC18MN2	SC35MN2	UC25MN2	UC50MV2
HC27MV2	SC18MV2	SC35MV2	UC25MV2	UC50MX2
HC27MX2	SC18MX2	SC35MX2	UC25MX2	

NOTE: This manual applies to models of design 1-4

Decals



CHM2432P_F232173

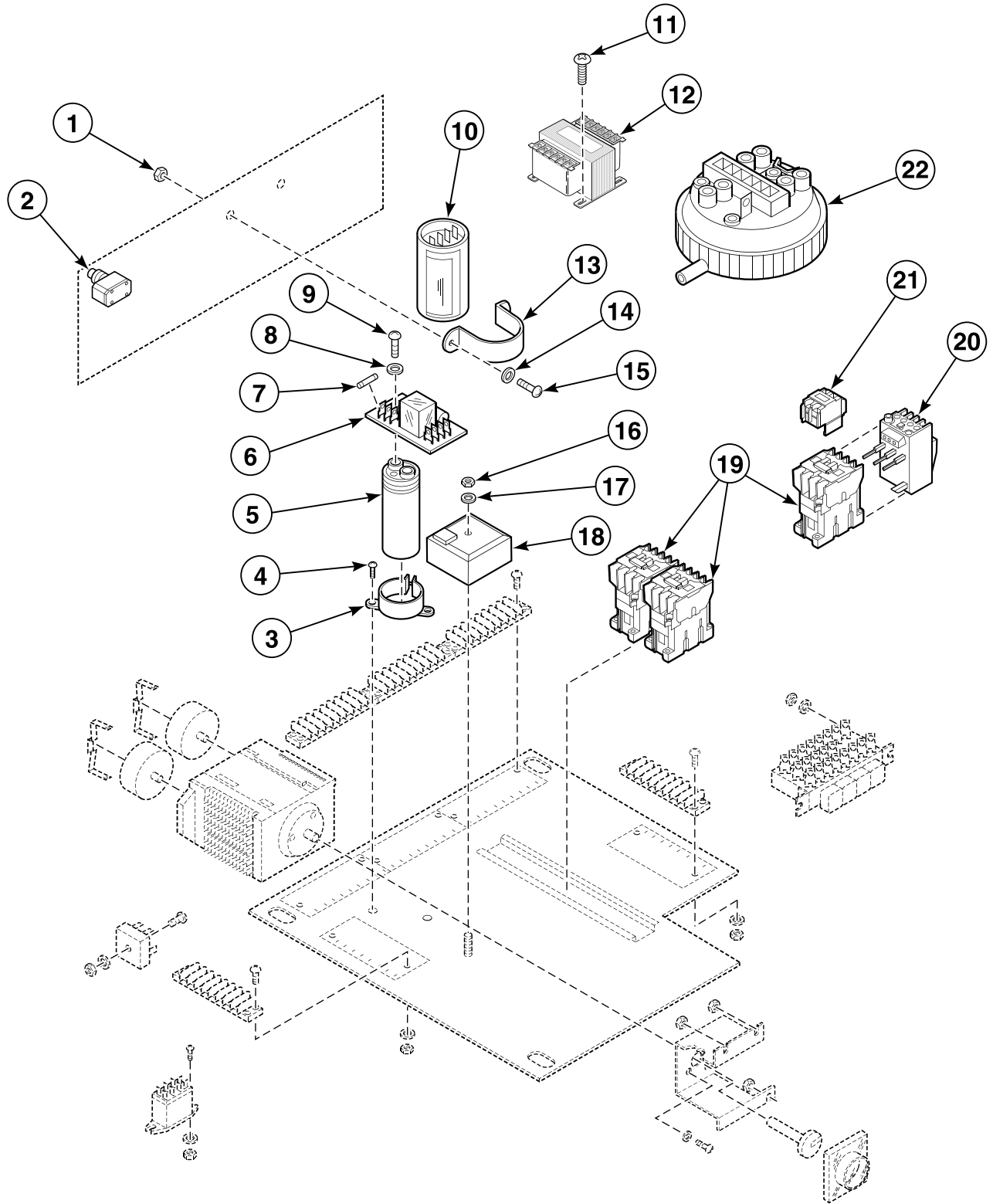
Decals

REF	PART NO.	DESCRIPTION	COMMENTS
1	F230877	Liquid Supply Decal	OPL models
2	N/A	Voltage Decal	
3	505281	Disconnect Power Warning Label	
4	N/A	Voltage Warning Decal	
5	F231146	Conductor Decal	
6	F230630	Ground Decal	
7	F230739	Ground Decal	
8	N/A	Fuse Decal	
9	F230756	Manual Fast Advance Decal	Coin models
10	F230216	Do Not Lift Decal	
11	F230528	Remove Door Lock Tag	OPL models
12	F231263	Do Not Open Warning Label	
13	F231065	Personal Injury Warning Decal	
14	F230693	Counterclockwise Spin Rotation Decal	

N/A = Part no longer available

Control Module (Drawing 1 of 3)

Terminal Strip Style



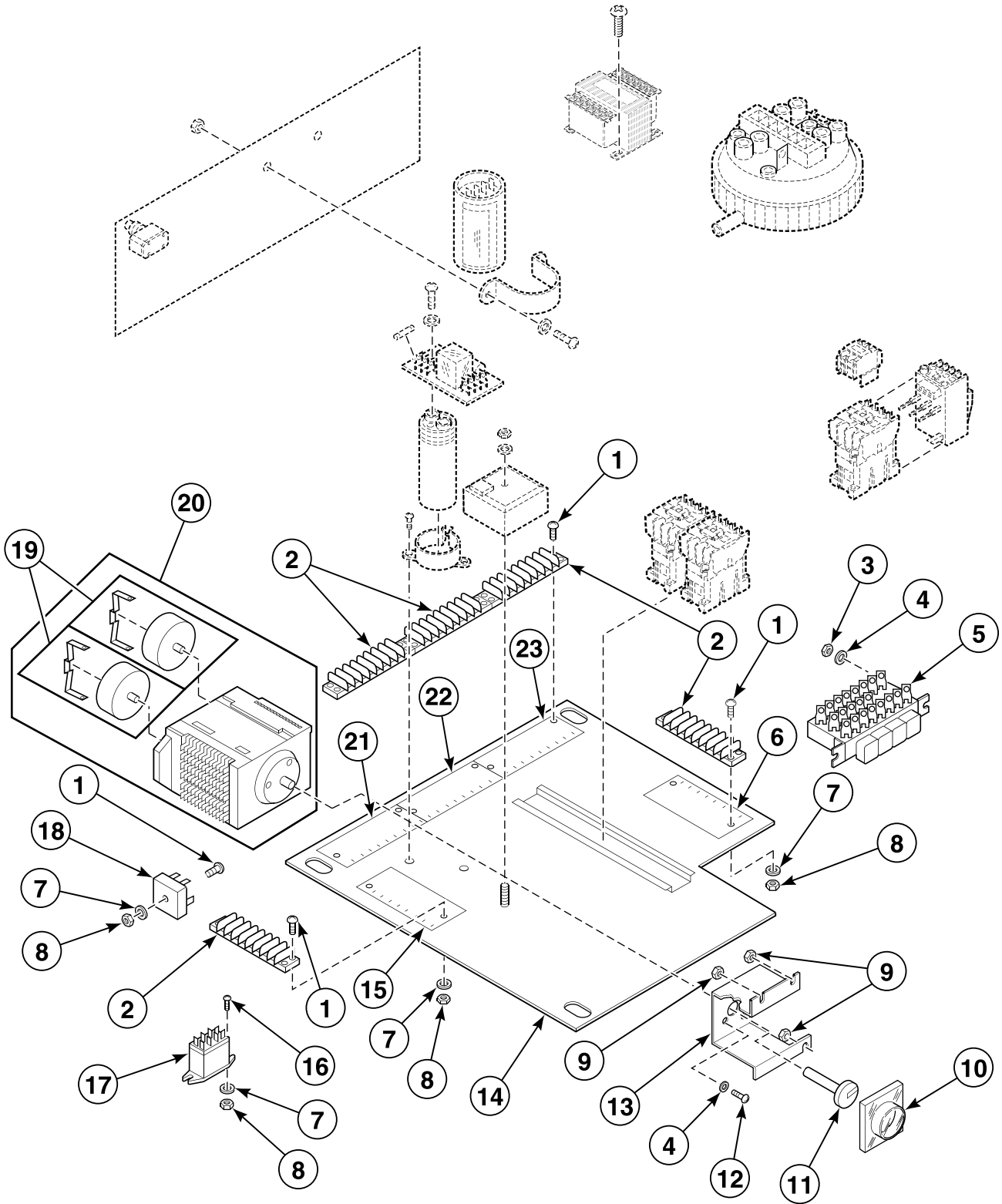
CHM2805P_F232173

Control Module (Drawing 1 of 3)

REF	PART NO.	DESCRIPTION	COMMENTS
1	F430231	Nut	1 Phase models
2	F340403	Switch	Pushbutton; Round hole; Coin models
	F340430	Switch	Rocker; Rectangular hole; Coin models
3	F140612P	Capacitor Mounting Clamp	Coin models
4	F430917	Screw	Coin models
5	F370225P	Capacitor	Coin models
6	F370426-1P	Door Lock Relay CCA	120 Volt; Coin models
	F370426-2P	Door Lock Relay CCA	220 Volt; Coin models
7	F350110	Fuse	Coin models
8	F431108	Washer	
9	F430904	Screw	
10	F340002	Motor Switch	1 Phase models
11	F430482	Screw	
12	F360117P	Transformer	
13	F340704	Motor Switch Bracket	1 Phase models
14	F430311	Washer	1 Phase models
15	F430916	Screw	1 Phase models
16	F430211	Nut	
17	F431100	Washer	
18	F200025200	Door Lock Time Delay	HC18, HC25, HC27, HC50, SC18, SC25, SC27, SC50, UC18, UC25, UC27 and UC50 coin models
19	F330175P	Contactator	120 Volt
	F330177P	Contactator	220 Volt
20	F0330192-00P	Overload Contactator	HC18, HC25, HC27, SC18, SC25, SC27, UC18, UC25 and UC27 1 Phase models
	F330403P	Overload Contactator	HC35, SC35 and UC35 1 Phase models
	F0330191-00P	Overload Contactator	HC50, SC50 and UC50 1 Phase models
21	F330185P	Auxiliary Contactator	
22	F0340343-00P	Water Level Switch	HC18, HC25, HC27, SC18, SC25, SC27, UC18, UC25 and UC27 models
	F0340345-00P	Water Level Switch	HC35, SC35, UC35, HC50, SC50 and UC50 models

Control Module (Drawing 2 of 3)

Terminal Strip Style



CHM2806P_F232173

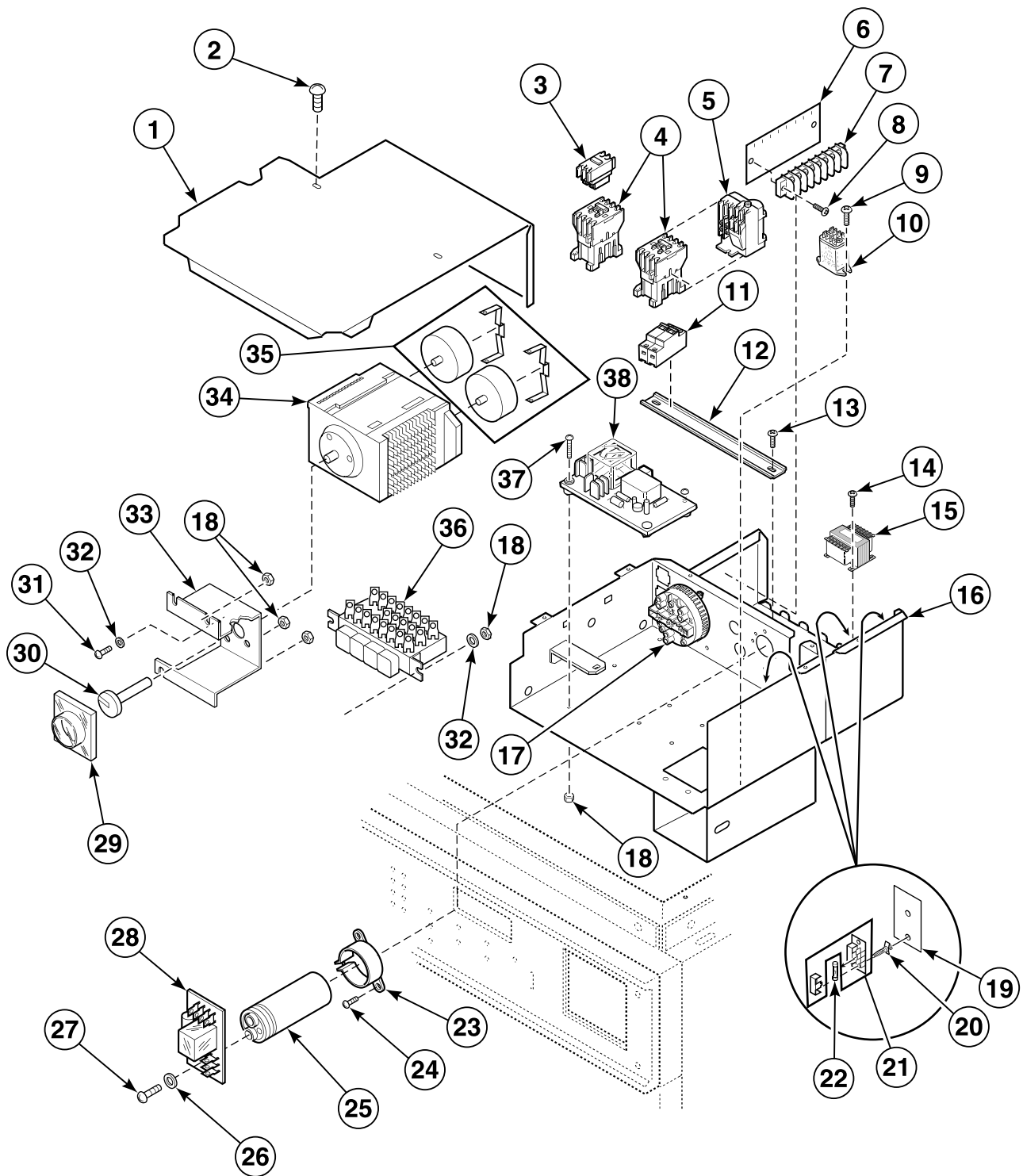
Control Module (Drawing 2 of 3)

REF	PART NO.	DESCRIPTION	COMMENTS
1	F430916	Screw	
2	F140738	Terminal Strip	
3	F430231	Nut	
4	F431123	Washer	
5	F340442	Cycle Selector Switch	3 terminal rows; Models starting 10/1/97
	F340413	Cycle Selector Switch	4 terminal rows; Models through 9/30/97
6	F140916	Terminal Strip Insulator Decal	Terminal strip 33-40
7	F431113	Washer	
8	F431022	Nut	
9	F430231	Nut	
10	F150249	Cycle Timer Indicator Cover	
11	F730525	Cycle Timer Indicator Kit	
12	F430948	Screw	
13	F635541	Timer Mounting Bracket	Models starting 8/10/99
	N/A	Timer Mounting Bracket	Models through 8/9/99
14	F607358	Electrical Panel Sub-Assembly	Coin models
	F0607746-01	Electrical Panel Sub-Assembly	OPL models
15	F140912	Terminal Strip Insulator Decal	Terminal strip 1-8
16	F430917	Screw	
17	F330227	Flange Relay	120 Volt
	F330230	Flange Relay	220 Volt
18	F370310	Bridge Rectifier	120 Volt; OPL models
19	F160539	Motor	120 Volt/60 Hertz
	F160538	Motor	220 Volt/50 Hertz
	F160537	Motor	220 Volt/60 Hertz
20	F160301P	Cycle Timer	120 Volt; Includes item 19
	F160304P	Cycle Timer	220 Volt; Includes item 19
21	F140913	Terminal Strip Insulator Decal	Terminal strip 9-16
22	F140914	Terminal Strip Insulator Decal	Terminal strip 17-24
23	F140915	Terminal Strip Insulator Decal	Terminal strip 25-32

N/A = Part no longer available

Control Module (Drawing 3 of 3)

Wiring Harness Style



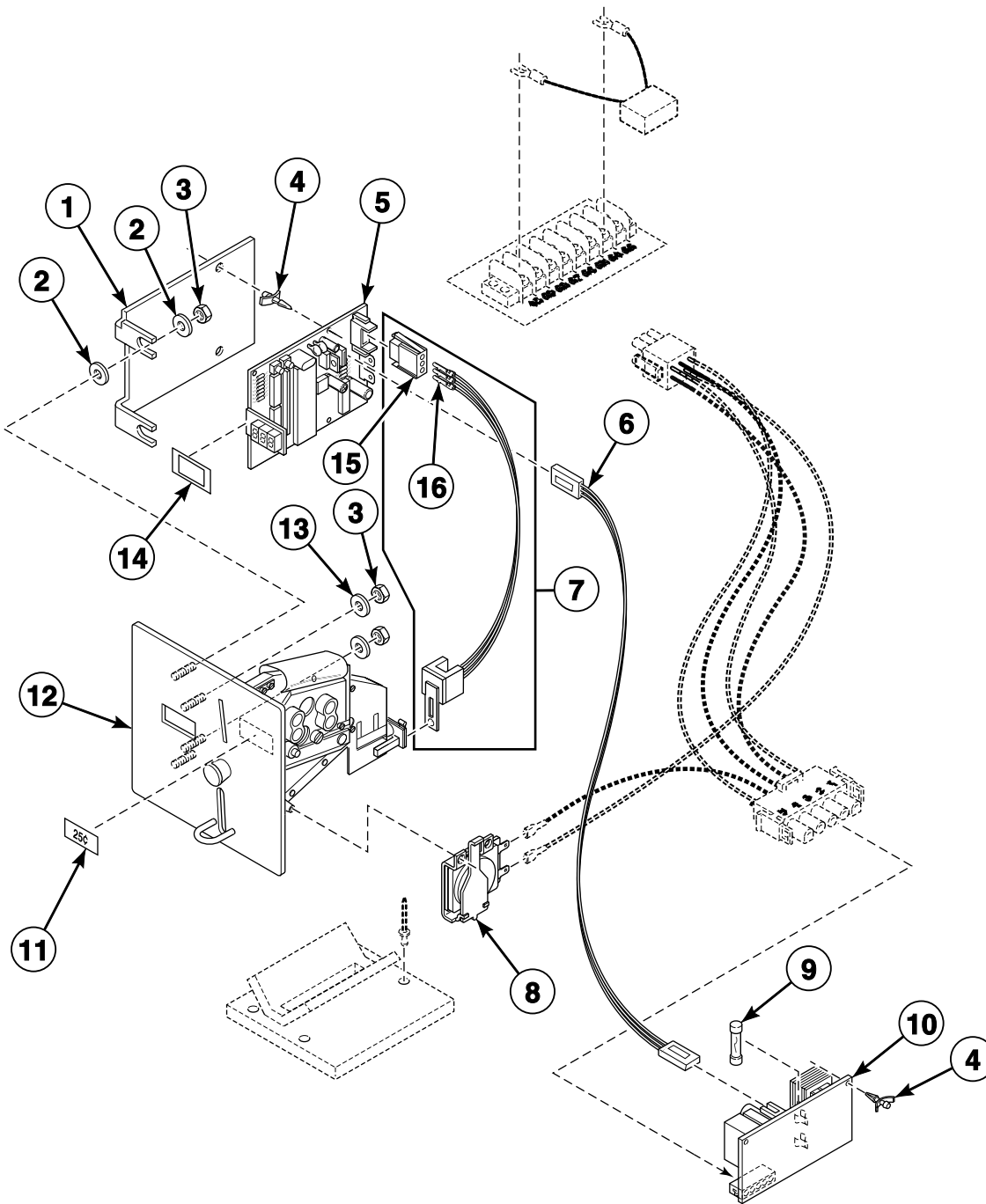
CHM2807P_F232173

Control Module (Drawing 3 of 3)

REF	PART NO.	DESCRIPTION	COMMENTS
1	F634175	Control Module Cover	
2	F430174	Screw	
3	F330145P	Auxiliary Contactor	Models through 3/1/00
	F330185P	Auxiliary Contactor	Models starting 3/1/00
4	F330175P	Contactor	
5	F0330192-00P	Overload Contactor	HC18, HC25, HC27, SC18, SC25, SC27, UC18, UC25 and UC27 1 Phase models
	F330403P	Overload Contactor	HC35, SC35 and UC35 1 Phase models
	F0330191-00P	Overload Contactor	HC50, SC50 and UC50 1 Phase models
6	F140914	Terminal Strip Insulator Decal	Terminal strip 17-24; 1 Phase models
7	F140738	Terminal Strip	1 Phase models
8	F430156	Screw	1 Phase models
9	F430482	Screw	
10	F330227	Flange Relay	120 Volt
11	F350217	Circuit Breaker	F and H-voltage models
12	F610083	Contactor Mounting Rail	
13	F430917	Screw	
14	F430482	Screw	
15	F360117P	Transformer	Standard models
	F360124P	Transformer	Pump models
16	F634236-1	Control Box Assembly	
17	F0340343-00P	Water Level Switch	HC18, HC25, HC27, SC18, SC25, SC27, UC18, UC25 and UC27 models
	F0340345-00P	Water Level Switch	HC35, HC50, SC35, SC50, UC35 and UC50 models
18	F430231	Nut	
19	F231393	Fuse Decal	1 Amp
	F231394	Fuse Decal	2 Amp
	F231354	Fuse Decal	3.15 Amp
20	F180506	Standoff	
21	F0350312-10	Fuse Holder	
22	F350110	Fuse	1 Amp
	F350117	Fuse	2 Amp
	F350141	Fuse	3.15 Amp; Slo blo
23	F140612P	Capacitor Mounting Clamp	
24	F430177	Screw	
25	F370225P	Capacitor	
26	F431108	Washer	
27	F430904	Screw	
28	F370430-1P	Door Lock CCA	120 Volt
29	F150249	Cycle Timer Indicator Cover	
30	F730525	Cycle Timer Indicator Kit	
31	F430948	Screw	
32	F431123	Washer	
33	F635541	Timer Mounting Bracket	Models starting 8/10/99
	N/A	Timer Mounting Bracket	Models through 8/9/99
34	F160301P	Cycle Timer	120 Volt
35	F160539	Motor	120 Volt
36	F340442	Cycle Selector Switch	3 row; Models starting 10/1/97
	F340413	Cycle Selector Switch	4 row; Models through 9/30/97
37	F430910	Screw	
38	F370413P	Relay CCA	A, B, F, H, L, O and Y-voltage models
	F370440P	Relay CCA	C, D, E and J-voltage models

N/A = Part no longer available

Display Coin Meter Assembly - MC, MD and MX Models; Single Drop (Drawing 1 of 2)

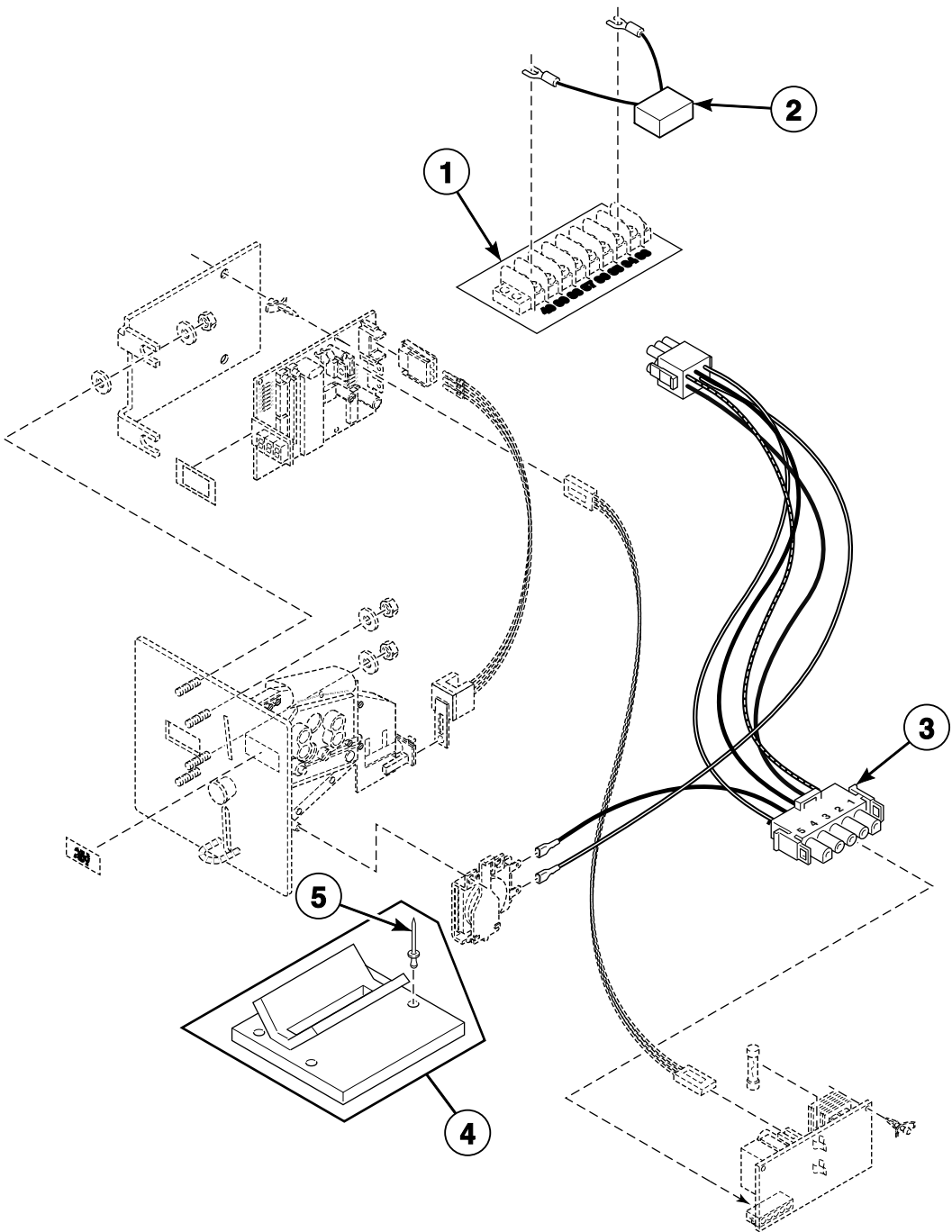


CHM2788P_F232173

Display Coin Meter Assembly - MC, MD and MX Models; Single Drop (Drawing 1 of 2)

REF	PART NO.	DESCRIPTION	COMMENTS
1	F608169	CCA Mounting Bracket	
2	F430311	Washer	
3	F430243	Nut	
4	F432001	Circuit Board Support	
5	F0370410-10P	Coin Counter CCA	
6	F140202	DC Power Cable	
7	F775801-01P	Optic Switch Kit	Includes items 15 and 16
8	F160466P	Coin Meter Blocking Coil	120 Volt
	F160467	Coin Meter Blocking Coil	220 Volt
9	F350127	Fuse	40 MA
10	F370411-1P	Power Supply CCA	120 Volt
	F370411-2P	Power Supply CCA	220 Volt
11	F231010	Coin Meter Insert Decal	\$.25 insert
12	F200003000P	Coin Meter Assembly	U.S. quarter; 120 Volt; A, B, F, H, K, L, O and Y-voltage models; Includes items 1-11 and 13-16
	F200003001	Coin Meter Assembly	10 Taiwan; 120 Volt; A, B, F, H, K, L, O and Y-voltage models; Includes items 1-10 and 13-16
	F200003002	Coin Meter Assembly	.880 token; 220 Volt; C, D, E, G and J-voltage models; Includes items 1-10 and 13-16
	F200003003P	Coin Meter Assembly	.990 token; 120 Volt; A, B, F, H, K, L, O and Y-voltage models; Includes items 1-10 and 13-16
	F200003004	Coin Meter Assembly	.990 token; 220 Volt; C, D, E, G and J-voltage models; Includes items 1-10 and 13-16
	F200003005P	Coin Meter Assembly	U.S. quarter; 220 Volt; C, D, E, G and J-voltage models; Includes items 1-11 and 13-16
	F200003006	Coin Meter Assembly	Jeton .08; 220 Volt; C, D, E, G and J-voltage models; Includes items 1-10 and 13-16
	F200003007	Coin Meter Assembly	.800 token; 120 Volt; A, B, F, H, K, L, O and Y-voltage models; Includes items 1-10 and 13-16
	F200003008	Coin Meter Assembly	500 wan and yen; 120 Volt; A, B, F, H, K, L, O and Y-voltage models; Includes items 1-10 and 13-16
	F200003009P	Coin Meter Assembly	.880 token; 120 Volt; A, B, F, H, K, L, O and Y-voltage models; Includes items 1-10 and 13-16
	F200003010	Coin Meter Assembly	.800 token; 220 Volt; C, D, E, G and J-voltage models; Includes items 1-10 and 13-16
	F200003011	Coin Meter Assembly	500 wan and yen; 220 Volt; C, D, E, G and J-voltage models; Includes items 1-10 and 13-16
F200003012	Coin Meter Assembly	10 Taiwan; 220 Volt; C, D, E, G and J-voltage models; Includes items 1-10 and 13-16	
13	F431925	Washer	
14	F230803	Digital Display Decal	Window
15	F140571	Male Connector	
16	00430	Female Pin Terminal	

Display Coin Meter Assembly - MC, MD and MX Models; Single Drop (Drawing 2 of 2)



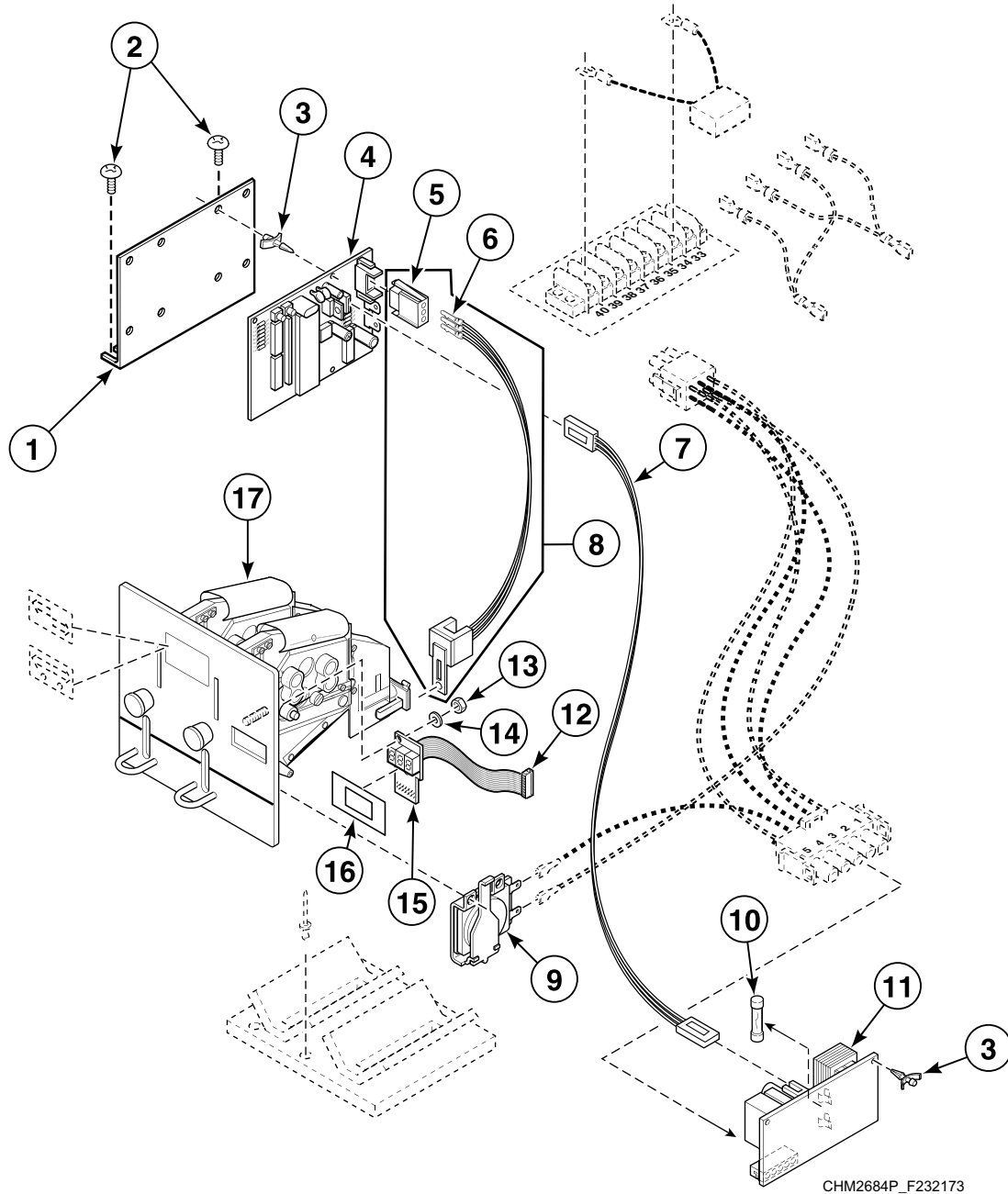
CHM2788PA_F232173

Display Coin Meter Assembly - MC, MD and MX Models; Single Drop (Drawing 2 of 2)

REF	PART NO.	DESCRIPTION	COMMENTS
1	F140916	Terminal Strip Insulator Decal	33-40
2	F330217P	RC Network Filter	Used only on models with terminal strip; Includes F140627 Connector and F141022 Connector
3	F607322-2P	Coin Meter Wire Harness	Without connector on terminal strip end; Blue neutral wires; B and C-voltage models
	N/A	Coin Meter Harness	Without connector on terminal strip end; Gray neutral wires; A, D, E, F, H, J, K, L, O and Y-voltage models
	F141878	Power Supply Harness Assembly	With connector on terminal strip end
	F0141904-01	Power Supply Harness	With connector on terminal strip end; Blue neutral wires; B and C-voltage models
	F0141904-00	Power Supply Harness	With connector on terminal strip end; Gray neutral wires; A, D, E, F, H, J, O and Y-voltage models
4	F200002500	Coin Guide Assembly	Includes item 5; Models through 11/95
	F200002502P	Coin Guide Assembly	Includes item 5; Models starting 12/95
5	F431215	Pop Rivet	

N/A = Part no longer available

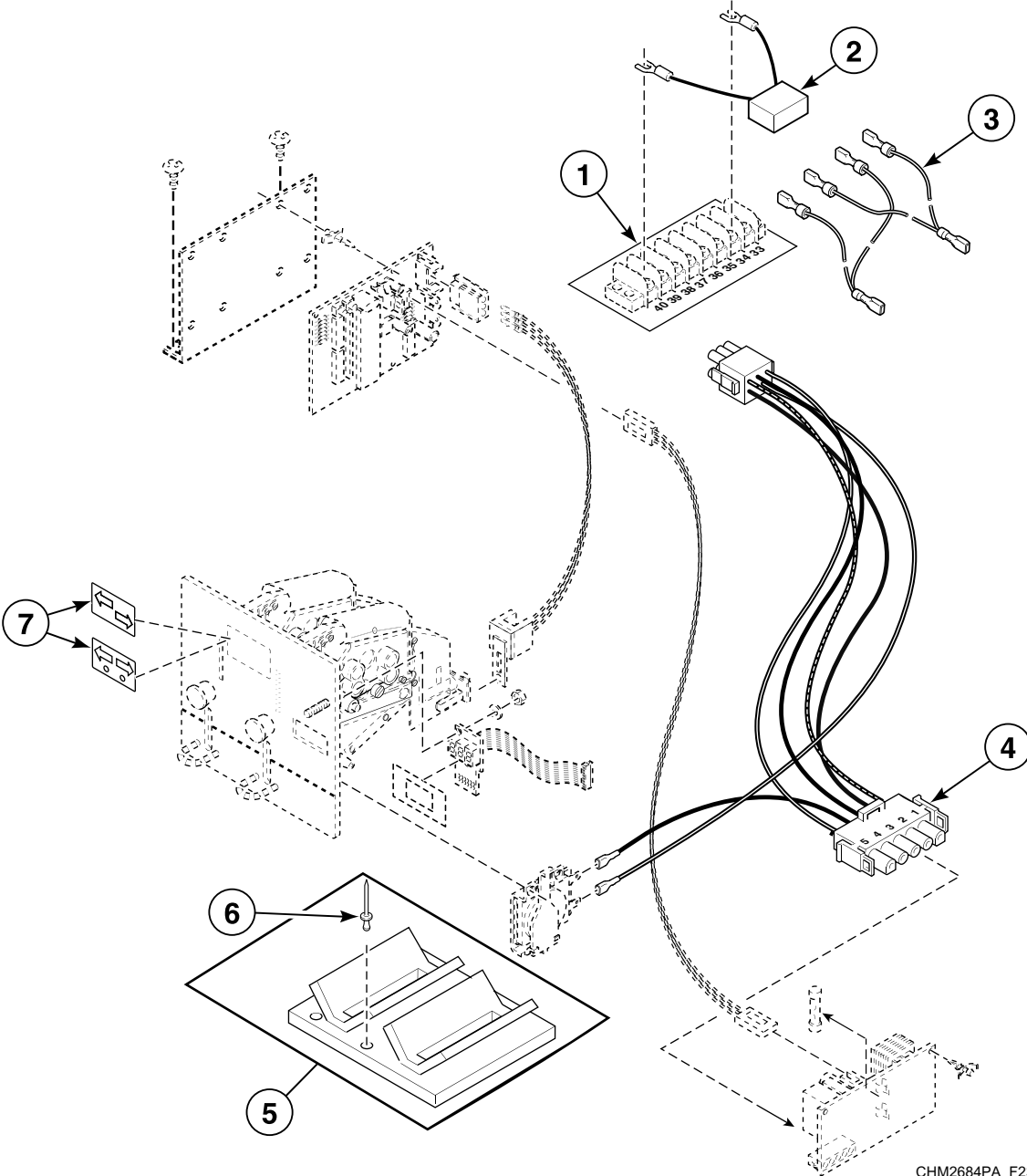
Display Coin Meter Assembly - MC, MD and MX Models; Dual Drop (Drawing 1 of 2)



Display Coin Meter Assembly - MC, MD and MX Models; Dual Drop (Drawing 1 of 2)

REF	PART NO.	DESCRIPTION	COMMENTS
1	F608169	CCA Mounting Bracket	
2	F430174	Screw	
3	F432001	Circuit Board Support	
4	F370425P	Coin Counter CCA	
5	F140571	Male Connector	
6	00430	Female Pin Terminal	
7	F140202	DC Power Cable	
8	F775801-01P	Optic Switch Kit	Includes items 5 and 6
9	F160466P	Coin Meter Blocking Coil	120 Volt
	F160467	Coin Meter Blocking Coil	220 Volt
10	F350127	Fuse	
11	F370411-1P	Power Supply CCA	120 Volt
	F370411-2P	Power Supply CCA	220 Volt
12	F140243P	Ribbon Cable	
13	F430243	Nut	
14	F431925	Washer	
15	F370424-1	Digital Display LED CCA	
16	F230803	Digital Display Decal	Window
17	F200004900	Coin Meter Assembly	1 pound and 20 pence; 220 Volt; C, D, E, G and J-voltage models; Includes items 1-16
	F200004901	Coin Meter Assembly	100 and 500 yen; 120 Volt; A, B, F, H, K, L, O and Y-voltage models; Includes items 1-16
	F200004902	Coin Meter Assembly	1 and 5 krona; 220 Volt; C, D, E, G and J-voltage models; Includes items 1-16
	F200004903	Coin Meter Assembly	Australia \$1 and .20; 220 Volt; C, D, E, G and J-voltage models; Includes items 1-16
	F200004904	Coin Meter Assembly	1 and 5 rand; 220 Volt; C, D, E, G and J-voltage models; Includes items 1-16
	F200004905	Coin Meter Assembly	1 and 5 shekel; 220 Volt; C, D, E, G and J-voltage models; Includes items 1-16
	F200004906P	Coin Meter Assembly	U.S. \$1 and .25; 120 Volt; A, B, F, H, K, L, O and Y-voltage models; Includes items 1-16 and F0231595-00 Coin Meter Decal
	F200004907	Coin Meter Assembly	100 and 500 peseta; 220 Volt; C, D, E, G and J-voltage models; Includes items 1-16
	F200004908	Coin Meter Assembly	.50 and 2.00 euro; 220 Volt; C, D, E, G and J-voltage models; Includes items 1-16 and F0231595-01 Coin Meter Decal
	F200004909	Coin Meter Assembly	Canada \$1 and .25; 120 Volt; A, B, F, H, K, L, O and Y-voltage models; Includes items 1-15 and F0231595-00 Coin Meter Decal
	F200004910	Coin Meter Assembly	U.S. \$1 and .25; 220 Volt; C, D, E, G and J-voltage models; Includes items 1-16 and F0231595-00 Coin Meter Decal
F200004911	Coin Meter Assembly	Canada \$1 and .25; 220 Volt; C, D, E, G and J-voltage models; Includes items 1-15 and F0231595-00 Coin Meter Decal	
F200004912	Coin Meter Assembly	100 and 500 yen; 220 Volt; C, D, E, G and J-voltage models; Includes items 1-16	

Display Coin Meter Assembly - MC, MD and MX Models; Dual Drop (Drawing 2 of 2)

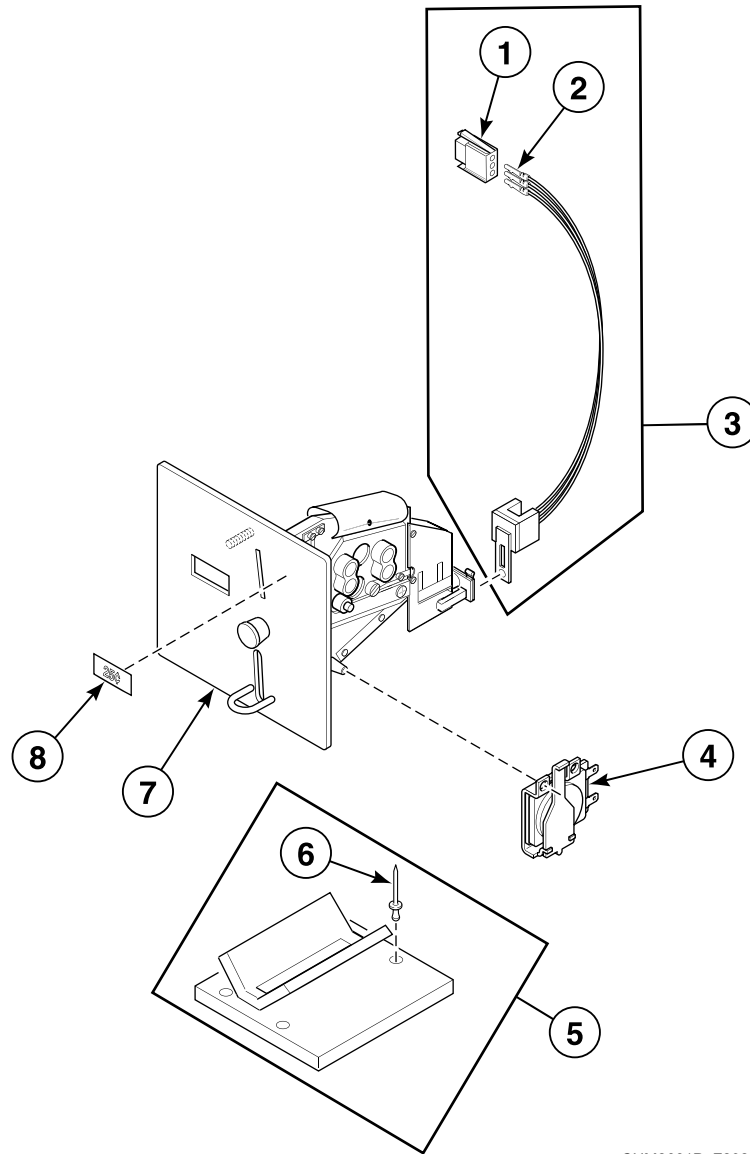


CHM2684PA_F232173

Display Coin Meter Assembly - MC, MD and MX Models; Dual Drop (Drawing 2 of 2)

REF	PART NO.	DESCRIPTION	COMMENTS
1	F140916	Terminal Strip Insulator Decal	33-40
2	F330217P	RC Network Filter	Used only on models with terminal strip; Includes F140627 Connector and F141022 Connector
3	F634561-1	Coin Blocking Wire Harness	A, D, E, F, H, K, L, O and Y-voltage models
	F634561-2	Coin Blocking Wire Harness	B and C-voltage models
4	F607322-3	Coin Meter Wire Harness	Without connector on terminal strip end; Includes item 2; B and C-voltage models
	F607322-5	Coin Meter Harness	Without connector on terminal strip end; Includes item 2; A, D, E, F, H, J, K, L, O and Y-voltage models
5	F200002501	Coin Guide Assembly	Includes item 6; Models through 11/95
	F200002503	Coin Guide Assembly	Includes item 6; Models starting 12/95
6	F431215	Pop Rivet	
7	F0231595-00	Coin Meter Decal	U.S. \$1 and .25
	F0231595-01	Coin Meter Decal	Euro .50 and 2.00

W2000 Coin Meter Assembly - MC, MD and MX Models; Single Drop

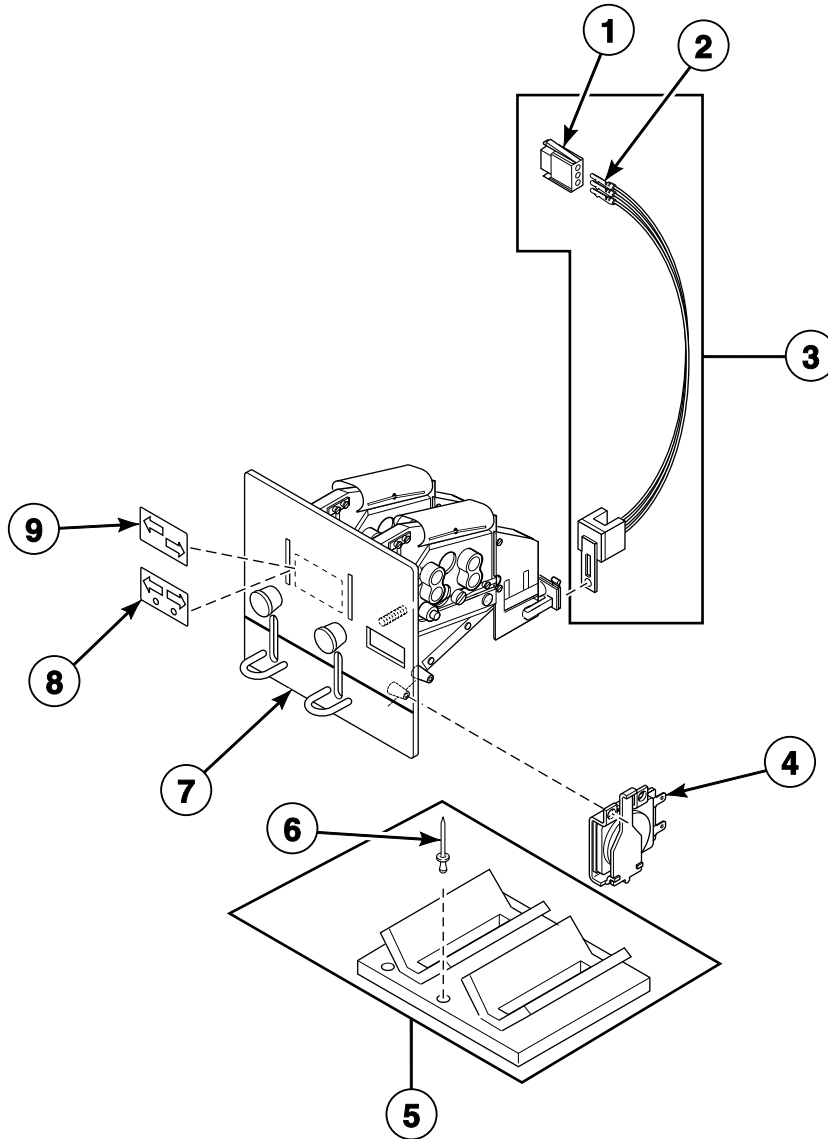


CHM2681P_F232173

W2000 Coin Meter Assembly - MC, MD and MX Models; Single Drop

REF	PART NO.	DESCRIPTION	COMMENTS
1	F140571	Male Connector	
2	00430	Female Pin Terminal	
3	F775801-01P	Optic Switch Kit	Includes items 1 and 2
4	F160466P	Coin Meter Blocking Coil	120 Volt
	F160467	Coin Meter Blocking Coil	220 Volt
5	F200002500	Coin Guide Assembly	Includes item 6; Models through 11/95
	F200002502P	Coin Guide Assembly	Includes item 6; Models starting 12/95
6	F431215	Pop Rivet	
7	F200115000P	Coin Meter Assembly	U.S. quarter; 120 Volt; A, B, F, H, K, L, O and Y-voltage models; Includes items 1, 2, 4 and 8
	F200115001	Coin Meter Assembly	10 Taiwan; 120 Volt; A, B, F, H, K, L, O and Y-voltage models; Includes items 1, 2 and 4
	F200115002	Coin Meter Assembly	.880 token; 220 Volt; C, D, E, G and J-voltage models; Includes items 1, 2 and 4
	F200115003	Coin Meter Assembly	.990 token; 120 Volt; A, B, F, H, K, L, O and Y-voltage models; Includes items 1, 2 and 4
	F200115004	Coin Meter Assembly	.990 token; 220 Volt; C, D, E, G and J-voltage models; Includes items 1, 2 and 4
	F200115005P	Coin Meter Assembly	U.S. quarter; 220 Volt; C, D, E, G and J-voltage models; Includes items 1, 2, 4 and 8
	F200115006	Coin Meter Assembly	.08 jeton; 220 Volt; C, D, E, G and J-voltage models; Includes items 1, 2 and 4
	F200115007	Coin Meter Assembly	.800 token; 120 Volt; A, B, F, H, K, L, O and Y-voltage models; Includes items 1, 2 and 4
	F200115008	Coin Meter Assembly	500 wan and yen; 120 Volt; A, B, F, H, K, L, O and Y-voltage models; Includes items 1, 2 and 4
	F200115009	Coin Meter Assembly	.800 token; 220 Volt; C, D, E, G and J-voltage models; Includes items 1, 2 and 4
	F200115010	Coin Meter Assembly	500 wan and yen; 220 Volt; C, D, E, G and J-voltage models; Includes items 1, 2 and 4
F200115011	Coin Meter Assembly	10 Taiwan; 220 Volt; C, D, E, G and J-voltage models; Includes items 1, 2 and 4	
8	F231010	Coin Meter Insert Decal	\$.25 insert

W2000 Coin Meter Assembly - MC, MD and MX Models; Dual Drop

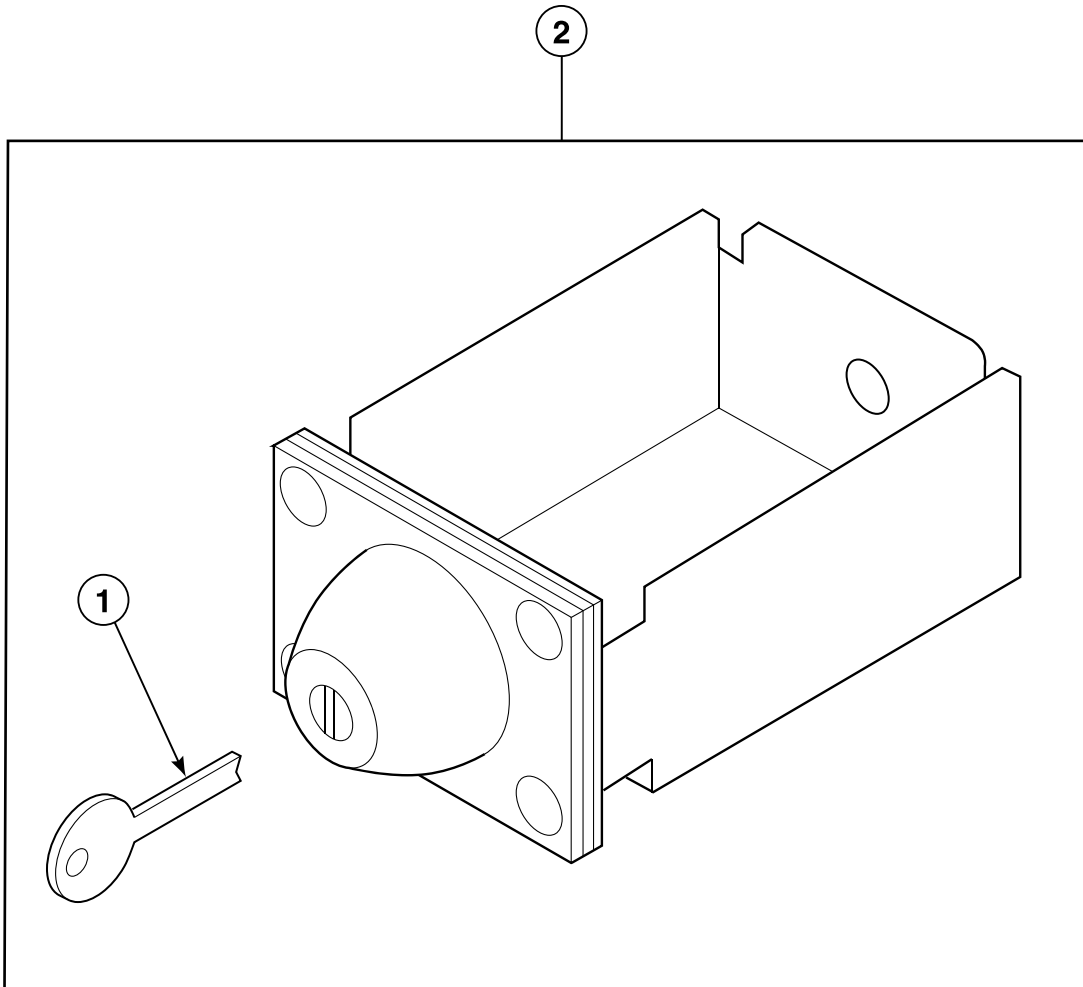


CHM2718P_F232173

W2000 Coin Meter Assembly - MC, MD and MX Models; Dual Drop

REF	PART NO.	DESCRIPTION	COMMENTS
1	F140571	Male Connector	
2	00430	Female Pin Terminal	
3	F775801-01P	Optic Switch Kit	Includes items 1 and 2
4	F160466P	Coin Meter Blocking Coil	120 Volt
	F160467	Coin Meter Blocking Coil	220 Volt
5	F200002501	Coin Guide Assembly	Includes item 6; Models through 11/95
	F200002503	Coin Guide Assembly	Includes item 6; Models starting 12/95
6	F431215	Pop Rivet	
7	F200115100	Coin Meter Assembly	1 pound and 20 pence; 220 Volt; C, D, E, G and J-voltage models; Includes items 1 and 2
	F200115101	Coin Meter Assembly	100 and 500 yen; 120 Volt; A, B, F, H, K, L, O and Y-voltage models; Includes items 1 and 2
	F200115102	Coin Meter Assembly	1 and 5 krona; 220 Volt; C, D, E, G and J-voltage models; Includes items 1 and 2
	F200115103	Coin Meter Assembly	Australia \$1 and .20; 220 Volt; C, D, E, G and J-voltage models; Includes items 1 and 2
	F200115104	Coin Meter Assembly	1 and 5 rand; 220 Volt; C, D, E, G and J-voltage models; Includes items 1 and 2
	F200115105	Coin Meter Assembly	1 and 5 shekel; 220 Volt; C, D, E, G and J-voltage models; Includes items 1 and 2
	F200115106P	Coin Meter Assembly	U.S. \$1 and .25; 120 Volt; A, B, F, H, K, L, O and Y-voltage models; Includes items 1, 2 and 8
	F200115107	Coin Meter Assembly	100 and 500 peseta; 220 Volt; C, D, E, G and J-voltage models; Includes items 1 and 2
	F200115108	Coin Meter Assembly	.50 and 2.00 euro; 220 Volt; C, D, E, G and J-voltage models; Includes items 1, 2 and 9
	F200115109	Coin Meter Assembly	Canada \$1 and .25; 120 Volt; A, B, F, H, K, L, O and Y-voltage models; Includes items 1, 2 and 8
	F200115110	Coin Meter Assembly	U.S. \$1 and .25; 220 Volt; C, D, E, G and J-voltage models; Includes items 1, 2 and 8
	F200115111	Coin Meter Assembly	Canada \$1 and .25; 220 Volt; C, D, E, G and J-voltage models; Includes items 1, 2 and 8
	F200115112	Coin Meter Assembly	100 and 500 yen; 220 Volt; C, D, E, G and J-voltage models; Includes items 1 and 2
8	F0231595-00	Coin Meter Decal	\$1 and .25
9	F0231595-01	Coin Meter Decal	.50 and 2.00 euro

Coin Box (Optional)



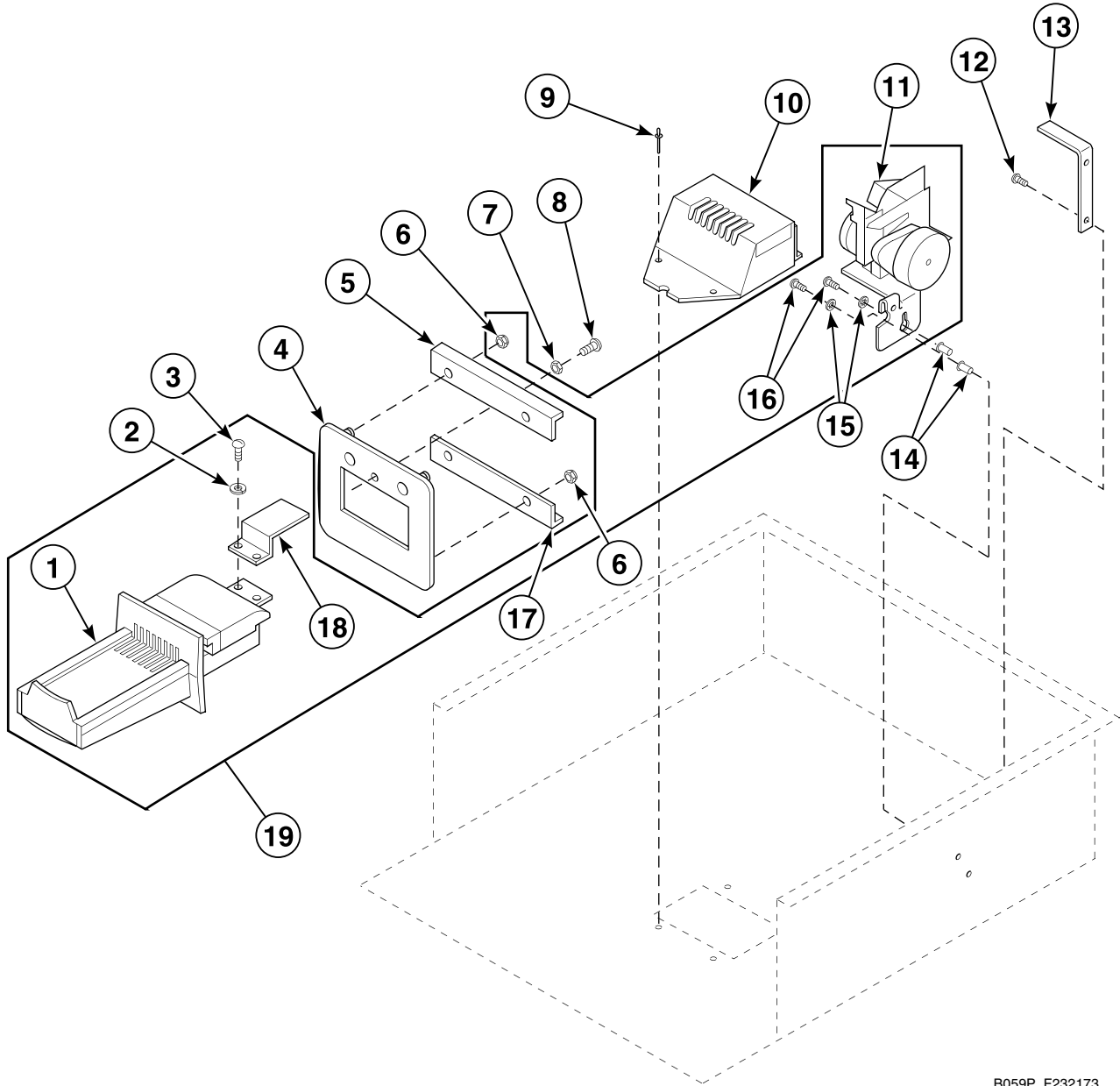
CHM1764P_F232173

Coin Box (Optional)

REF	PART NO.	DESCRIPTION	COMMENTS
1	F160582	Key	UG11
	N/A	Key	UG12
	N/A	Key	UG13
	N/A	Key	UG14
	N/A	Key	UG15
	N/A	Key	UG16
	N/A	Key	UG17
	N/A	Key	UG18
	N/A	Key	UG19
	F160591	Key	UG20
	F160420	Key	UG21
	F160421	Key	UG22
	F160422	Key	UG23
	F160423	Key	UG24
	F160424	Key	UG25
	2	N/A	Coin Box
N/A		Coin Box	UG12; Includes item 1
N/A		Coin Box	UG13; Includes item 1
F160631		Coin Box	UG14; Includes item 1
F160632		Coin Box	UG15; Includes item 1
F160633		Coin Box	UG16; Includes item 1
F160634		Coin Box	UG17; Includes item 1
N/A		Coin Box	UG18; Includes item 1
F160636		Coin Box	UG19; Includes item 1
N/A		Coin Box	UG20; Includes item 1
F160672		Coin Box	UG21; Includes item 1
F160673		Coin Box	UG22; Includes item 1
N/A		Coin Box	UG23; Includes item 1
N/A		Coin Box	UG24; Includes item 1
N/A		Coin Box	UG25; Includes item 1

N/A = Part no longer available

Vertical Eight Coin Meter Adapter Kit - Models Through 3/1/92



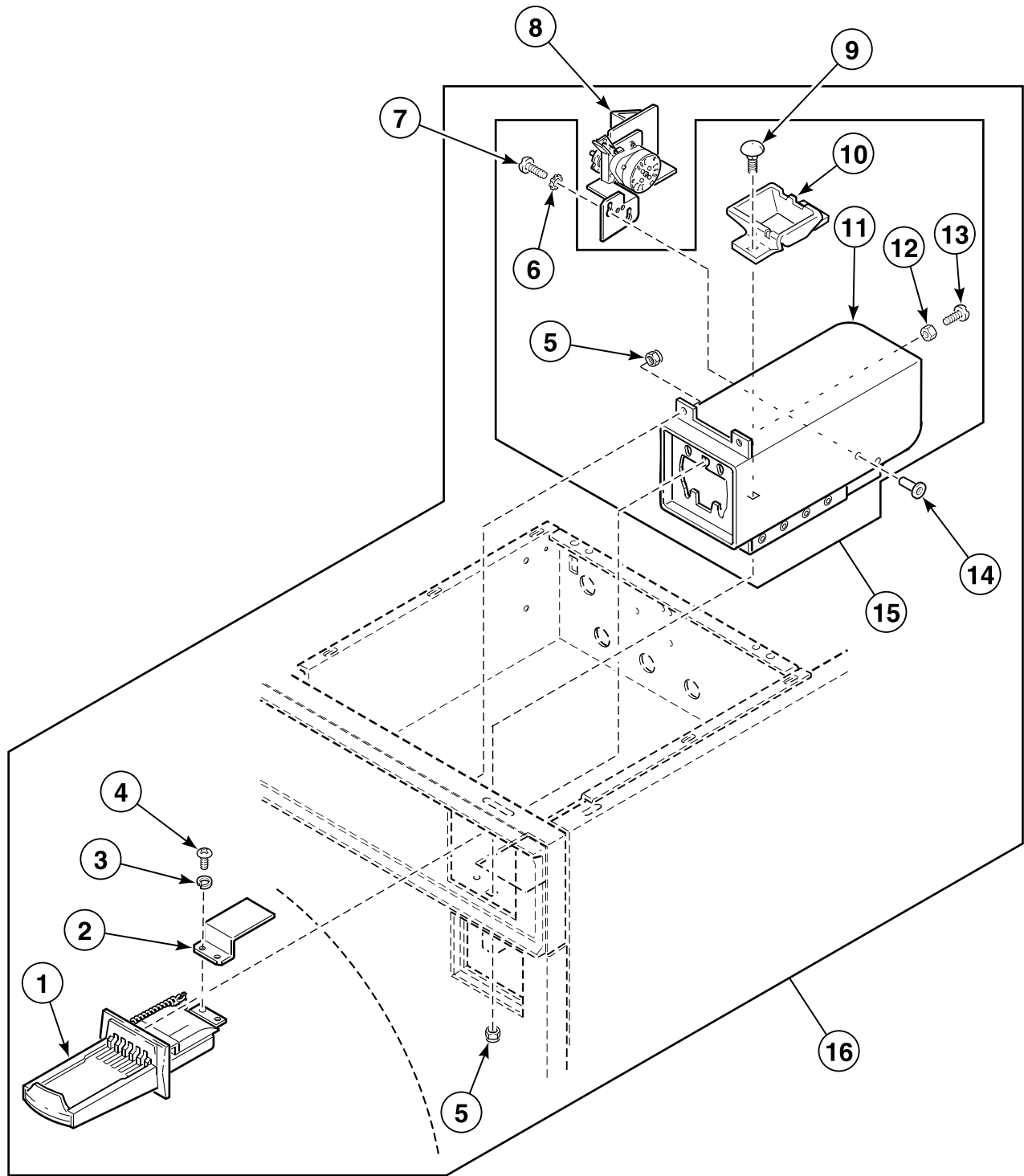
B059P_F232173

Vertical Eight Coin Meter Adapter Kit - Models Through 3/1/92

REF	PART NO.	DESCRIPTION	COMMENTS
	N/A	Meter Adapter Kit	Without slide; Includes items 4, 10, 17 and 18
1	F160652P	Coin Chute	
2	F431102	Washer	
3	F430904	Screw	
4	F605974	Coin Meter Slide Sub-Assembly	
5	N/A	Coin Guide Bracket	
6	F430215	Nut	
7	F431005	Nut	
8	F430925	Screw	
9	F431209	Pop Rivet	
10	F606651	Coin Catch Funnel Kit	
11	F160650P	Start Control Assembly	120 Volt
	F160651P	Start Control Assembly	220 Volt
12	F430174	Screw	
13	F606005	Bracket	
14	F432213	Nut	
15	F431113	Washer	
16	F430928	Screw	
17	N/A	Coin Guide Bracket	
18	F606006	Coin Slide Extension	
19	N/A	Coin Meter Adapter Kit	With slide; 120 Volt; Includes items 1-3, 6, 11, 15, 16 and 18
	F775100-02	Coin Meter Adapter Kit	With slide; 220 Volt; Includes items 1-3, 6, 11, 15 and 16

N/A = Part no longer available

Vertical Eight Coin Meter Adapter Kit - Models Starting 3/1/92



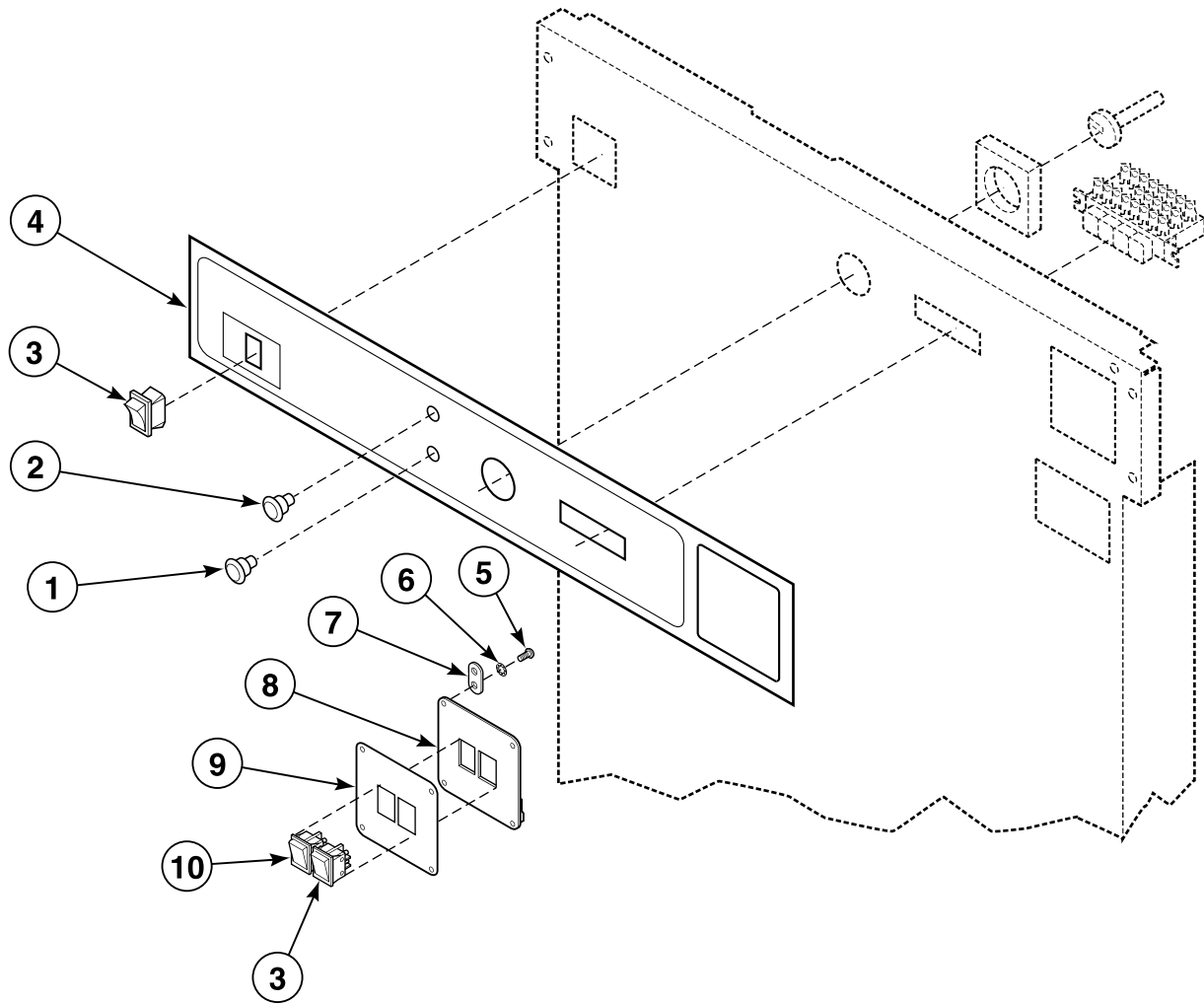
B162P_F232173

Vertical Eight Coin Meter Adapter Kit - Models Starting 3/1/92

REF	PART NO.	DESCRIPTION	COMMENTS
1	F160652P	Coin Chute	
2	F606006	Coin Slide Extension	
3	F431102	Washer	
4	F430904	Screw	
5	F430215	Nut	
6	F431113	Washer	
7	F430928	Screw	
8	F160650P	Start Control Assembly	120 Volt
	F160651P	Start Control Assembly	220 Volt
9	F430969	Bolt	
10	F607535	Coin Funnel Assembly	
11	F775700	Slide Coin Meter Vault Kit	Includes items 2, 4, 5, 9, 10, F430215 Nut and F607234 Slide Coin Meter Vault Assembly
12	F431005	Nut	
13	F430925	Screw	
14	F432213	Nut	
15	N/A	Coin Meter Adapter Kit	120 Volt; Includes items 5-7 and 9-13
	F775101-02	Coin Meter Adapter Kit	220 Volt; Includes items 5-7 and 9-13
16	N/A	Coin Meter Adapter Kit	120 Volt; Includes items 1-14; With coin slide
	F775100-02	Coin Meter Adapter Kit	220 Volt; Includes items 1-14; With coin slide

N/A = Part no longer available

Graphic Panel and Controls - For Newer Models without Extrusion



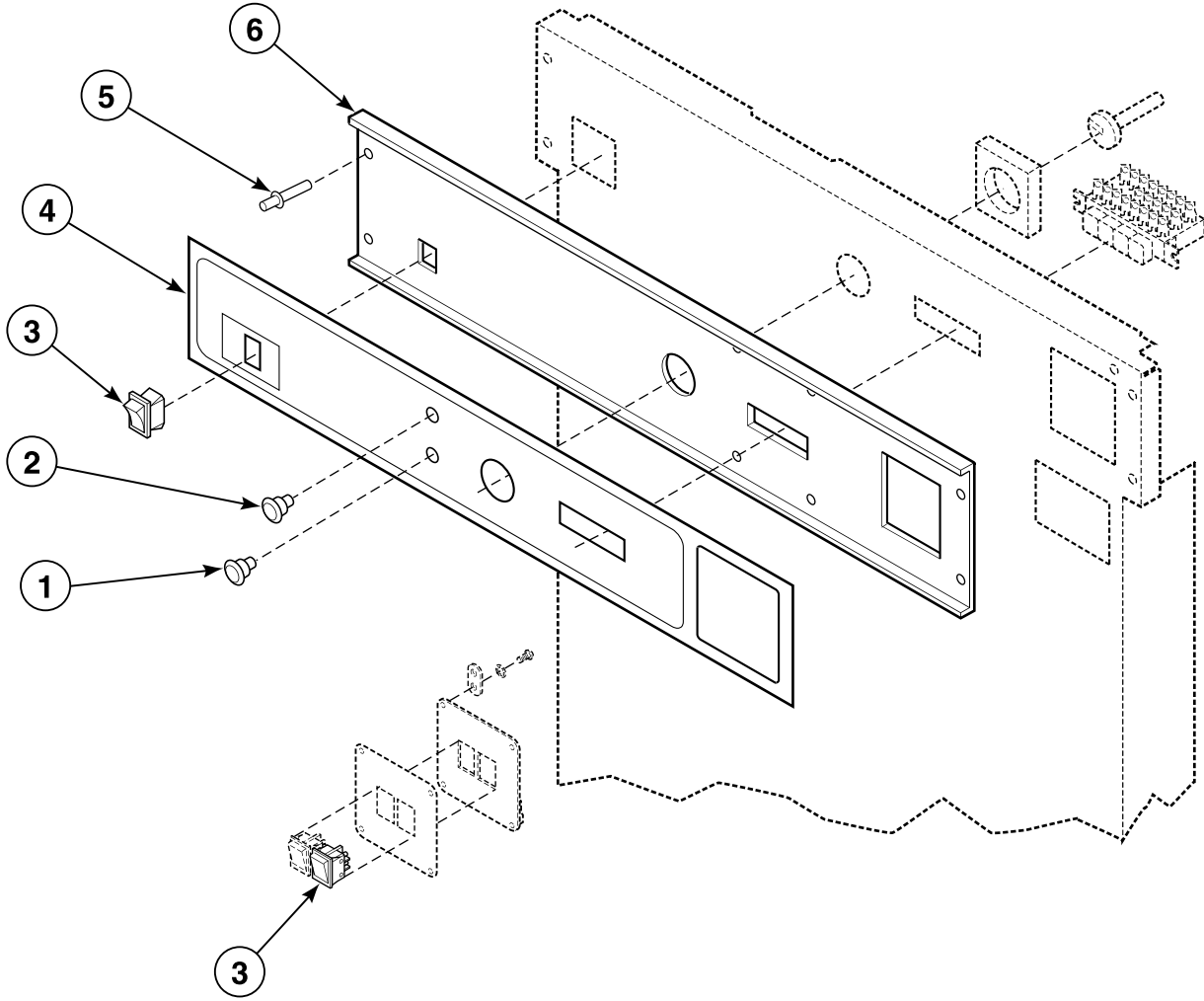
CHM1282P_F232173

Graphic Panel and Controls - For Newer Models without Extrusion

REF	PART NO.	DESCRIPTION	COMMENTS
	F798703	Bleach Light Kit	120 Volt; Models through 6/99
	F798705	Mechanical Timer Harness Kit	120 Volt; Includes item 2; Models through 6/99
	F798704	Bleach Light Kit	220 Volt; Models through 6/99
	F730016P	Start/Stop Kit	
1	F350420	Light	Green; 120 Volt
	F350422	Light	Green; 220 Volt
	F350412	Light	Red; 120 Volt
	F350404	Signal Light	Red; 220 Volt
2	F350430	Light	Clear; 120 Volt
	F350431	Light	Clear; 220 Volt
	F350411	Light	Amber; 120 Volt
	F350413	Light	Amber; 220 Volt
3	F200120100	Momentary Switch	MN models
4	F231476	Control Panel Decal	SC18 and SC25 coin models
	F231477	Control Panel Decal	SC27 coin models
	F231478	Control Panel Decal	SC35 coin models
	F231479	Control Panel Decal	SC50 coin models
	F231472	Control Panel Decal	Models SC18MN2 and SC25MN2
	F231473	Control Panel Decal	Model SC27MN2
	N/A	Control Panel Decal	Model SC35MN2
	F231475	Control Panel Decal	Model SC50MN2
	F230843	Control Panel Decal	UC18 coin models
	N/A	Control Panel Decal	UC25 coin models
	F231255	Control Panel Decal	UC27 coin models
	F230845	Control Panel Decal	UC35 coin models
	F230846	Control Panel Decal	UC50 coin models
	F0231617-00	Control Panel Decal	Models UC18MN2 and UC25MN2
	F0231609-00	Control Panel Decal	Model UC27MN2
	F231487	Control Panel Decal	Model UC35MN2
	F231488	Control Panel Decal	Model UC50MN2
	F231541	Control Panel Decal	HC18 and HC25 coin models
	F231542	Control Panel Decal	HC27 coin models
	F231543	Control Panel Decal	HC35 coin models
	F231544	Control Panel Decal	HC50 coin models
	F231537	Control Panel Decal	Model HC18MN2
	F231244	Control Panel Decal	Model HC25MN2
	F231538	Control Panel Decal	Model HC27MN2
	F231539	Control Panel Decal	Model HC35MN2
	F231540	Control Panel Decal	Model HC50MN2
5	F430173	Screw	OPL models
6	F431106	Washer	OPL models
7	F601515	Clip	OPL models
8	F633092-1	Switch Plate Sub-Assembly	OPL models
9	F230918	Switch Panel Assembly Decal	UC OPL models
	F230918-2	Switch Panel Decal	SC OPL models
	F231448	Switch Panel Decal	HC OPL models
10	F340411	Rocker Switch	Red; OPL models

N/A = Part no longer available

Graphic Panel and Controls - For Older Models with Extrusion (Drawing 1 of 2)



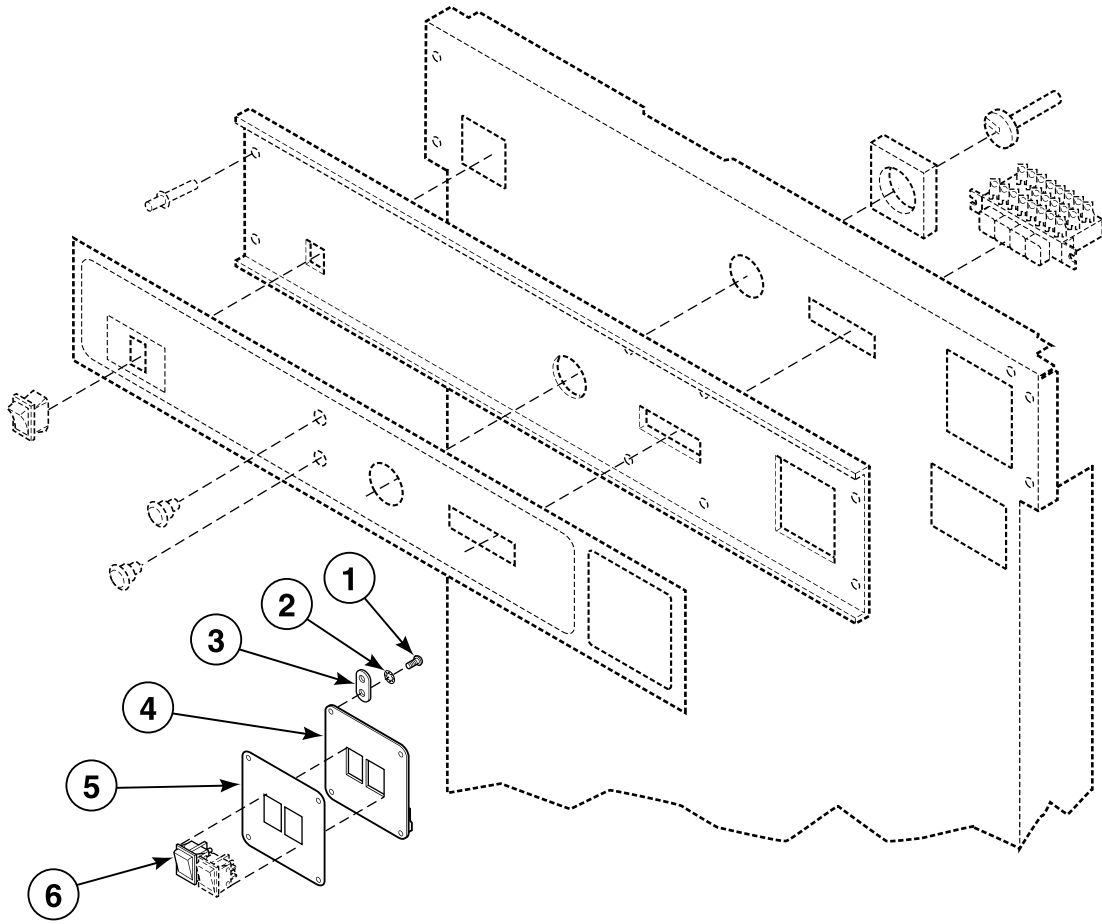
CHM1625P_F232173

Graphic Panel and Controls - For Older Models with Extrusion (Drawing 1 of 2)

REF	PART NO.	DESCRIPTION	COMMENTS
	F798703	Bleach Light Kit	120 Volt; Models through 6/99
	F798705	Mechanical Timer Harness Kit	120 Volt; Includes item 2; Models through 6/99
	F798704	Bleach Light Kit	220 Volt; Models through 6/99
	F730016P	Start/Stop Kit	
1	F350420	Light	Green; 120 Volt
	F350422	Light	Green; 220 Volt
	F350412	Light	Red; 120 Volt
	F350404	Signal Light	Red; 220 Volt
2	F350430	Light	Clear; 120 Volt
	F350431	Light	Clear; 220 Volt
	F350411	Light	Amber; 120 Volt
	N/A	Signal Light	Amber; 220 Volt
3	F200120100	Momentary Switch	MN models
4	F231476	Control Panel Decal	SC18 and SC25 coin models
	F231477	Control Panel Decal	SC27 coin models
	F231478	Control Panel Decal	SC35 coin models
	F231479	Control Panel Decal	SC50 coin models
	F231472	Control Panel Decal	Models SC18MN2 and SC25MN2
	F231473	Control Panel Decal	Model SC27MN2
	N/A	Control Panel Decal	Model SC35MN2
	F231475	Control Panel Decal	Model SC50MN2
	F230843	Control Panel Decal	UC18 coin models
	N/A	Control Panel Decal	UC25 coin models
	F231255	Control Panel Decal	UC27 coin models
	F230845	Control Panel Decal	UC35 coin models
	F230846	Control Panel Decal	UC50 coin models
	F0231617-00	Control Panel Decal	Models UC18MN2 and UC25MN2
	F0231609-00	Control Panel Decal	Model UC27MN2
	F231487	Control Panel Decal	Model UC35MN2
	F231488	Control Panel Decal	Model UC50MN2
	F231541	Control Panel Decal	HC18 and HC25 coin models
	F231542	Control Panel Decal	HC27 coin models
	F231543	Control Panel Decal	HC35 coin models
	F231544	Control Panel Decal	HC50 coin models
	F231537	Control Panel Decal	Model HC18MN2
	F231244	Control Panel Decal	Model HC25MN2
	F231538	Control Panel Decal	Model HC27MN2
	F0231609-00	Control Panel Decal	Model HC35MN2
	F231540	Control Panel Decal	Model HC50MN2
5	F431210	Pop Rivet	
6	F150313	Extrusion Panel	HC18, SC18 and UC18 models
	N/A	Extrusion Control Panel	HC27, SC27 and UC27 models
	F150322	Extrusion Panel	HC35, SC35 and UC35 models
	F150323	Extrusion Panel	HC50, SC50 and UC50 models

N/A = Part no longer available

Graphic Panel and Controls - For Older Models with Extrusion (Drawing 2 of 2)



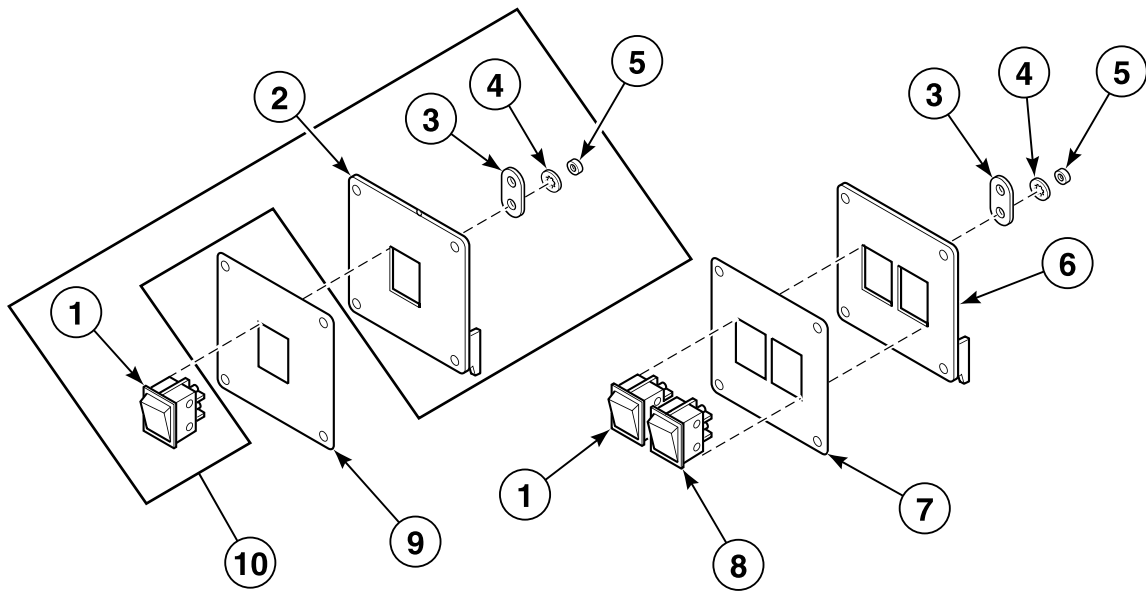
CHM1625PA_F232173

Graphic Panel and Controls - For Older Models with Extrusion (Drawing 2 of 2)

REF	PART NO.	DESCRIPTION	COMMENTS
1	F430173	Screw	OPL models
2	F431106	Washer	OPL models
3	F601515	Clip	OPL models
4	F633092-1	Switch Plate Sub-Assembly	OPL models
5	F230918-2	Switch Panel Decal	SC OPL models
	F230918	Switch Panel Assembly Decal	UC OPL models
	F231448	Switch Panel Decal	HC OPL models
6	F340411	Rocker Switch	Red; OPL models

Switch Assembly

Remote Pay Models



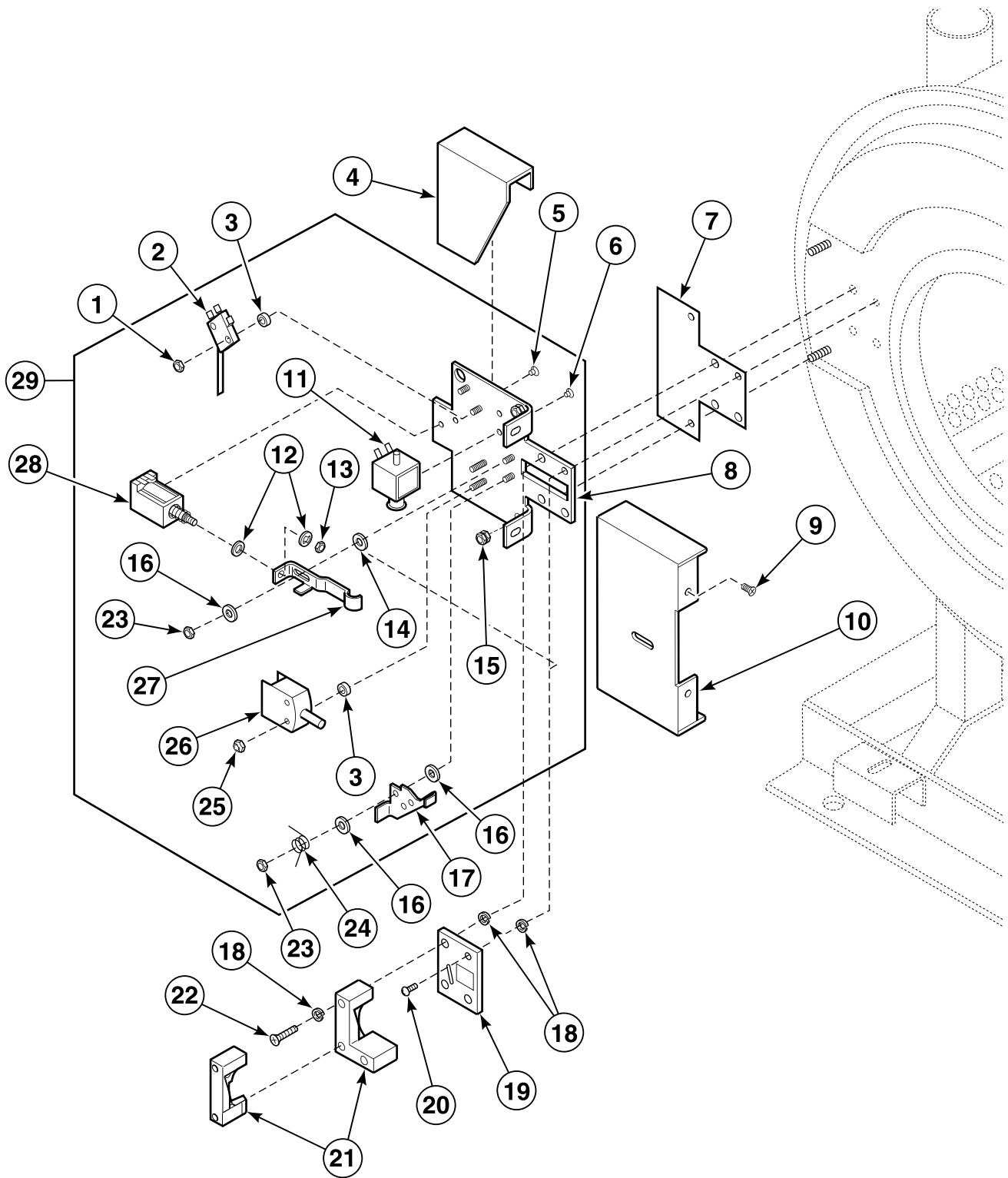
CHM1948P_F232173

Switch Assembly

REF	PART NO.	DESCRIPTION	COMMENTS
1	F340411	Rocker Switch	Red
2	F633098	Switch Plate Sub-Assembly	
3	F601515	Clip	
4	F430311	Washer	
5	F430232	Nut	
6	F633092-1	Switch Plate Sub-Assembly	MN and MX models
7	F230918-2	Switch Panel Decal	Models SC18MN2, SC25MN2, SC27MN2, SC35MN2 and SC50MN2
	F230918	Switch Panel Assembly Decal	Models UC18MN2, UC25MN2, UC27MN2, UC35MN2 and UC50MN2
	N/A	Switch Panel Decal	Models HC18MN2, HC25MN2, HC27MN2, HC35MN2 and HC50MN2
	N/A	Switch Panel Decal	Models SC18MX2, SC25MX2, SC27MX2, SC35MX2, SC50MX2, UC18MX2, UC25MX2, UC27MX2 and UC50MX2; Icon
8	F340412	Momentary Switch	
9	F0231615-01	Remote Pay Icon Decal	Models SC18MX2, SC25MX2, SC27MX2, SC35MX2, SC50MX2, UC18MX2, UC25MX2, UC27MX2 and UC50MX2
	F0231615-00	Remote Pay Icon Decal	Models HC18MX2, HC25MX2, HC27MX2, HC35MX2 and HC50MX2
10	F606999	Switch Panel Mounting Assembly	Includes items 1-3 and 5

N/A = Part no longer available

Door Lock - Coin Models Through 4/21/02

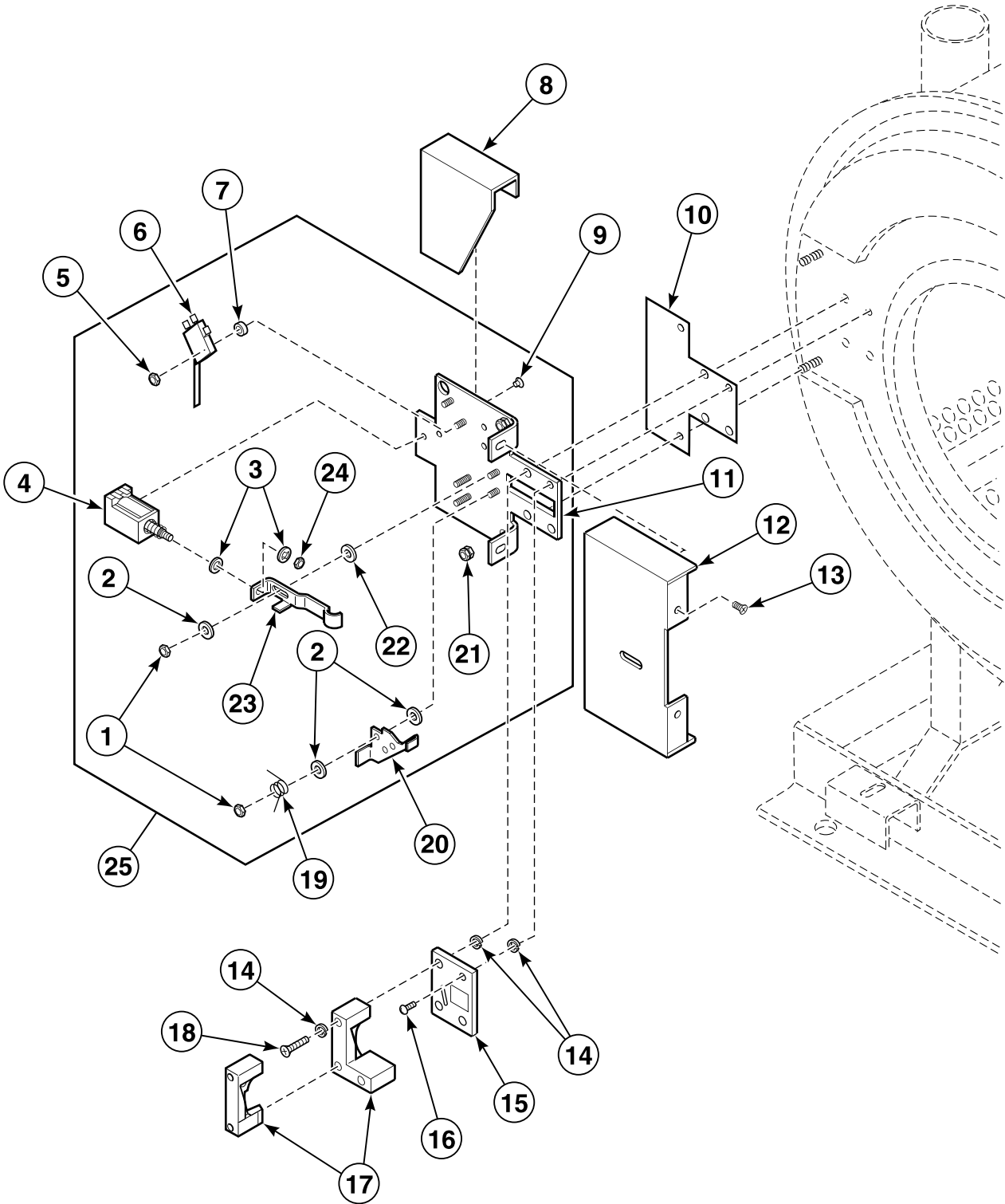


CHM1988P_F232173

Door Lock - Coin Models Through 4/21/02

REF	PART NO.	DESCRIPTION	COMMENTS
1	F430225	Nut	
2	F340919	Door Lock Microswitch	
3	F431901	Spacer	
4	F320200	Door Lock Splash Shield	
5	F430977	Screw	
6	F430978	Screw	
7	F603185	Door Lock Plate Shim	As required
8	F633734	Door Lock Plate Sub-Assembly	
9	F430174	Screw	
10	F603003	Door Lock Assembly Cover	
11	F300113P	Door Lock Solenoid	
12	F431123	Washer	
13	F430220	Nut	
14	F431903	Washer	
15	F430215	Nut	
16	F431902	Washer	
17	F605381	Door Lock Lever	
18	F431100	Washer	
19	F602567	Door Lock Plate Cover	
20	F430925	Screw	
21	F150261	Door Lock Catch Casting	L-catch
	F150223	Door Lock Catch	I-catch
22	F430983	Screw	HC18, HC25, HC27, SC18, SC25, SC27, UC18, UC25 and UC27 models
	F430982	Screw	HC35, HC50, SC35, SC50, UC35 and UC50 models
23	F430232	Nut	
24	F310110	Door Lock Torsion Spring	
25	F430231	Nut	
26	F340200	Door Switch	
27	F602540	Pushbutton Stop	
28	F300128P	Door Release Solenoid	
29	F602509-1P	Door Lock Assembly	HC18, HC25, HC35, SC18, SC25, SC35, UC18, UC25 and UC35 models; Includes items 1-3, 5, 6, 8, 11-14, 16, 17 and 23-28; 120 Volt
	F602509-2P	Door Lock Assembly	HC50, SC50 and UC50 models; Includes items 1-3, 5, 6, 8, 11-14, 16, 17 and 23-28; 120 Volt
	F603390-1P	Door Lock Assembly	HC18, HC25, HC35, SC18, SC25, SC35, UC18, UC25 and UC35 models; Includes items 1-3, 5, 6, 8, 11-14, 16, 17 and 23-28; 220 Volt
	F603390-2	Door Lock Assembly	HC50, SC50 and UC50 models; Includes items 1-3, 5, 6, 8, 11-14, 16, 17 and 23-28; 220 Volt
	F602509-3P	Door Lock Assembly	HC18, HC25, HC27, HC35, SC18, SC25, SC27, SC35, UC18, UC25, UC27 and UC35 models; Includes items 1-3, 5, 6 and 11-28; 120 Volt
	F602509-4P	Door Lock Assembly	HC50, SC50 and UC50 models; Includes items 1-3, 5, 6 and 11-28; 120 Volt
	F603390-3P	Door Lock Assembly	HC18, HC25, HC27, HC35, SC18, SC25, SC27, SC35, UC18, UC25, UC27 and UC35 models; Includes items 1-3, 5, 6 and 11-28; 220 Volt
	F603390-4P	Door Lock Assembly	HC50, SC50 and UC50 models; Includes items 1-3, 5, 6 and 11-28; 220 Volt

Door Lock - OPL Models Through 4/21/02

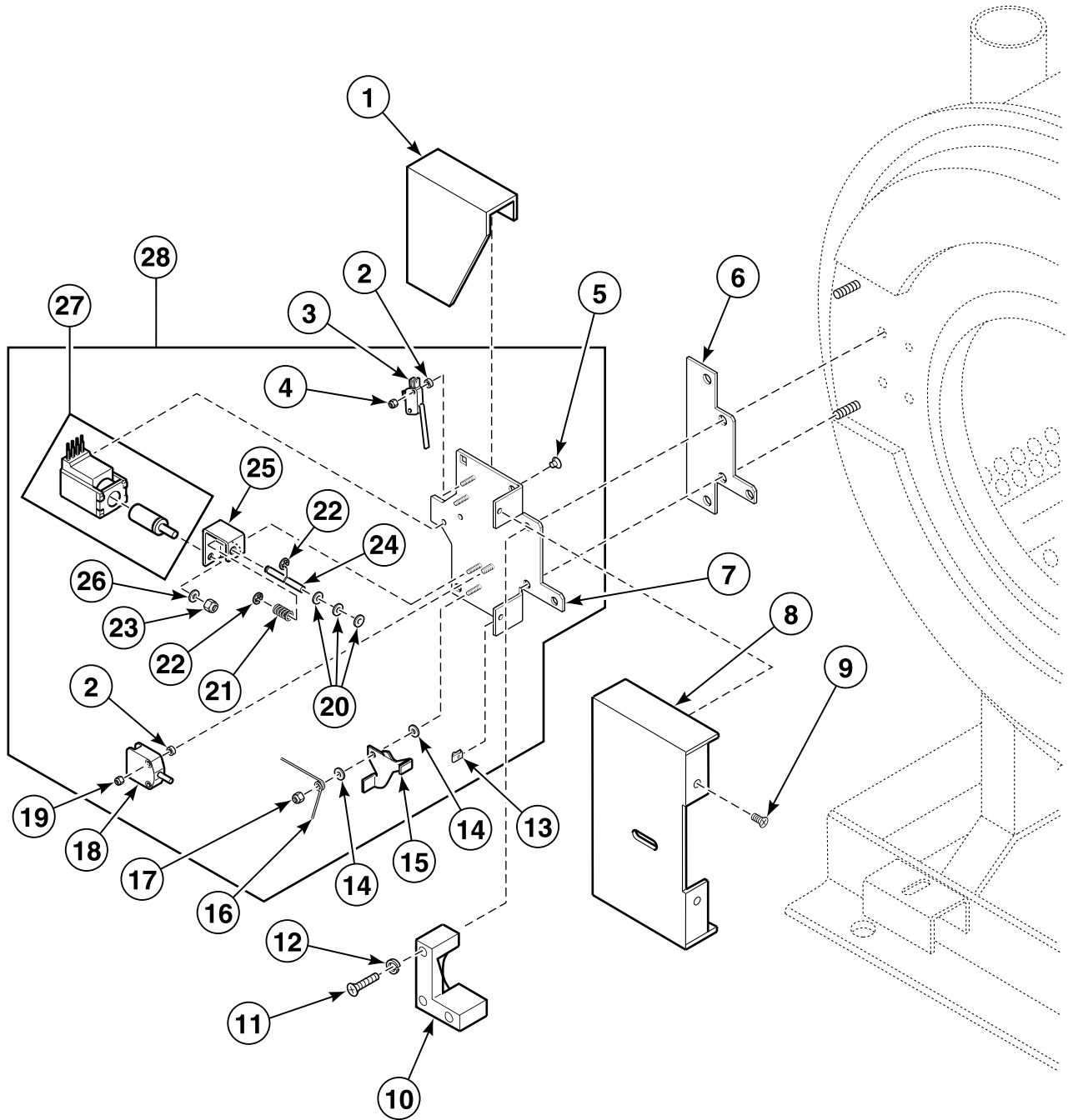


CHM2100P_F232173

Door Lock - OPL Models Through 4/21/02

REF	PART NO.	DESCRIPTION	COMMENTS
	F605406-2	Door Lock Wire Harness	120 Volt
	F746502	Door Lock Kit	Includes items 1-3 and 5-12
1	F430232	Nut	
2	F431902	Washer	
3	F431123	Washer	
4	F300128P	Door Release Solenoid	110-220 Volt DC
	F0300131-00P	Door Lock Solenoid	240 Volt AC
5	F430225	Nut	
6	F340919	Door Lock Microswitch	
7	F431901	Spacer	
8	F320200	Door Lock Splash Shield	
9	F430977	Screw	
10	F603185	Door Lock Plate Shim	As required
11	F605394	Door Lock Plate Sub-Assembly	
12	F603003	Door Lock Assembly Cover	
13	F430174	Screw	
14	F431100	Washer	
15	F602567	Door Lock Plate Cover	
16	F430925	Screw	
17	F150261	Door Lock Catch Casting	L-catch
	F150223	Door Lock Catch	I-catch
18	F430983	Screw	HC18, HC25, HC27, SC18, SC25, SC27, UC18, UC25 and UC27 models
	F430982	Screw	HC35, HC50, SC35, SC50, UC35 and UC50 models
19	F310110	Door Lock Torsion Spring	
20	F605381	Door Lock Lever	
21	F430215	Nut	
22	F431903	Washer	
23	F605382	Pushbutton Stop	
24	F430220	Nut	
25	F605386-7P	Door Lock Assembly	HC18, HC25, HC27, HC35, SC18, SC25, SC27, SC35, UC18, UC25, UC27 and UC35 models; 120 Volt; Includes items 1-7, 9, 11 and 14-24
	F605386-8P	Door Lock Assembly	Models HC50MN2, SC50MN2 and UC50MN2; 120 Volt; Includes items 1-7, 9, 11 and 14-24
	F605386-13	Door Lock Assembly	HC18, HC25, HC27, HC35, SC18, SC25, SC27, SC35, UC18, UC25, UC27 and UC35 models; 220 Volt; Includes items 1-7, 9, 11 and 14-24
	F605386-14P	Door Lock Assembly	Models HC50MN2, SC50MN2 and UC50MN2; 220 Volt; Includes items 1-7, 9, 11 and 14-24

Door Lock - Coin Models Starting 4/22/02

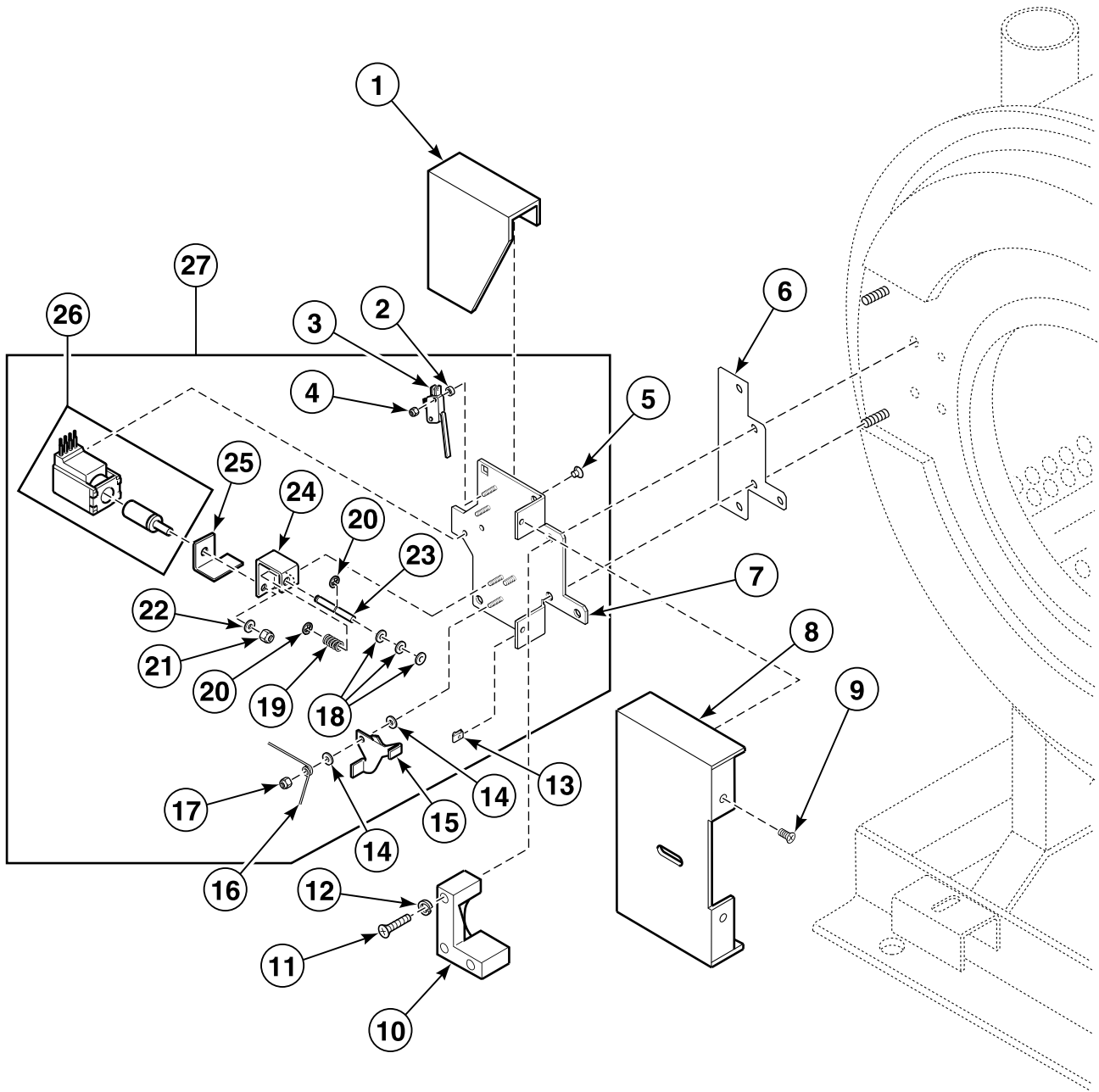


CHM2847P_F232173

Door Lock - Coin Models Starting 4/22/02

REF	PART NO.	DESCRIPTION	COMMENTS
	F634301	Door Lock Wire Harness	
1	F320200	Door Lock Splash Shield	
2	F431901	Spacer	
3	F200203200	Door Lock Microswitch	
4	F430225	Nut	
5	F430977	Screw	
6	F8059701	Door Lock Plate Shim	
7	F8066701	Door Lock Plate Assembly	
8	F603003	Door Lock Assembly Cover	
9	F430956	Screw	
10	F150261	Door Lock Catch Casting	
11	F430982	Screw	
12	F431100	Washer	
13	F430264	Nut	
14	F431902	Washer	
15	F0636636-00	Door Lock Switch Lever	
16	F310110	Door Lock Torsion Spring	
17	F430232	Nut	
18	F340200	Door Switch	
19	F430231	Nut	
20	F431147	Washer	
21	F310137	Door Lock Pin Release Spring	
22	F310205	E-Ring Retainer	
23	F431017	Nut	
24	F431231	Door Locking Linkage Pin	
25	F150455	Door Lock Pin Linkage	
26	F431123	Washer	
27	F300124P	Solenoid	Includes harness
28	F0636698-06P	Door Lock Assembly	Includes items 2-5, 7, 13-27 and the door lock harness

Door Lock - OPL Models Starting 4/22/02

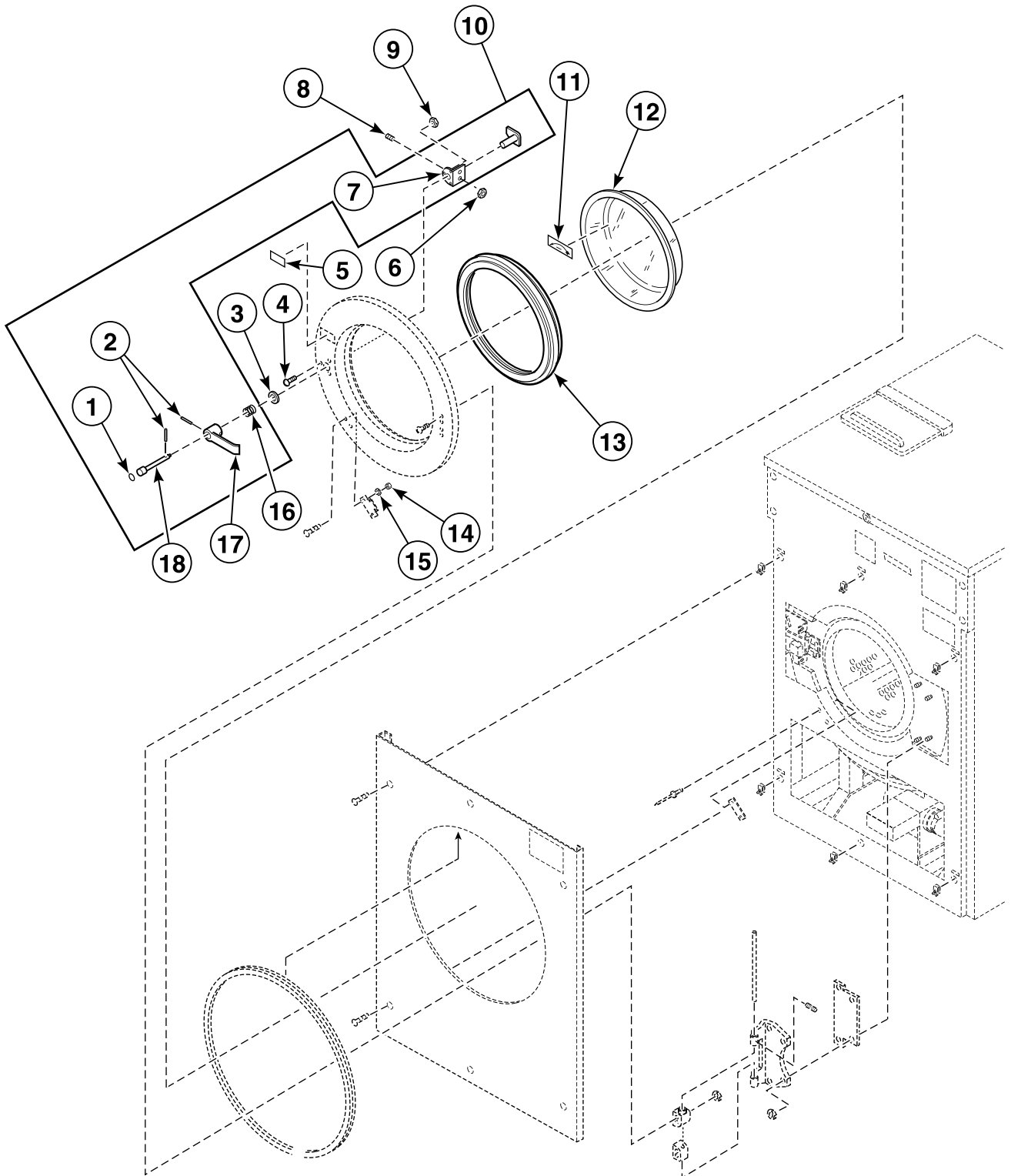


CHM2848P_F232173

Door Lock - OPL Models Starting 4/22/02

REF	PART NO.	DESCRIPTION	COMMENTS
1	F320200	Door Lock Splash Shield	
2	F431901	Spacer	
3	F200203200	Door Lock Microswitch	
4	F430225	Nut	
5	F430977	Screw	
6	F8059701	Door Lock Plate Shim	
7	F8066701	Door Lock Plate Assembly	
8	F603003	Door Lock Assembly Cover	
9	F430956	Screw	
10	F150261	Door Lock Catch Casting	
11	F430982	Screw	
12	F431100	Washer	
13	F430264	Nut	
14	F431902	Washer	
15	F0636636-00	Door Lock Switch Lever	
16	F310110	Door Lock Torsion Spring	
17	F430232	Nut	
18	F431147	Washer	
19	F310137	Door Lock Pin Release Spring	
20	F310205	E-Ring Retainer	
21	F431017	Nut	
22	F431123	Washer	
23	F431231	Door Locking Linkage Pin	
24	F150455	Door Lock Pin Linkage	
25	F0636103-00	Door Lock Retainer Latch	
26	F300128P	Door Release Solenoid	120 Volt
	F0300131-00P	Door Lock Solenoid	220 Volt
27	F0798839-00	Door Lock Kit	120 Volt; Includes items 2-5 and 13-26
	F0798839-01	Door Lock Kit	220 Volt; Includes items 2-5 and 13-26

Door and Outer Front Panel (Drawing 1 of 3)

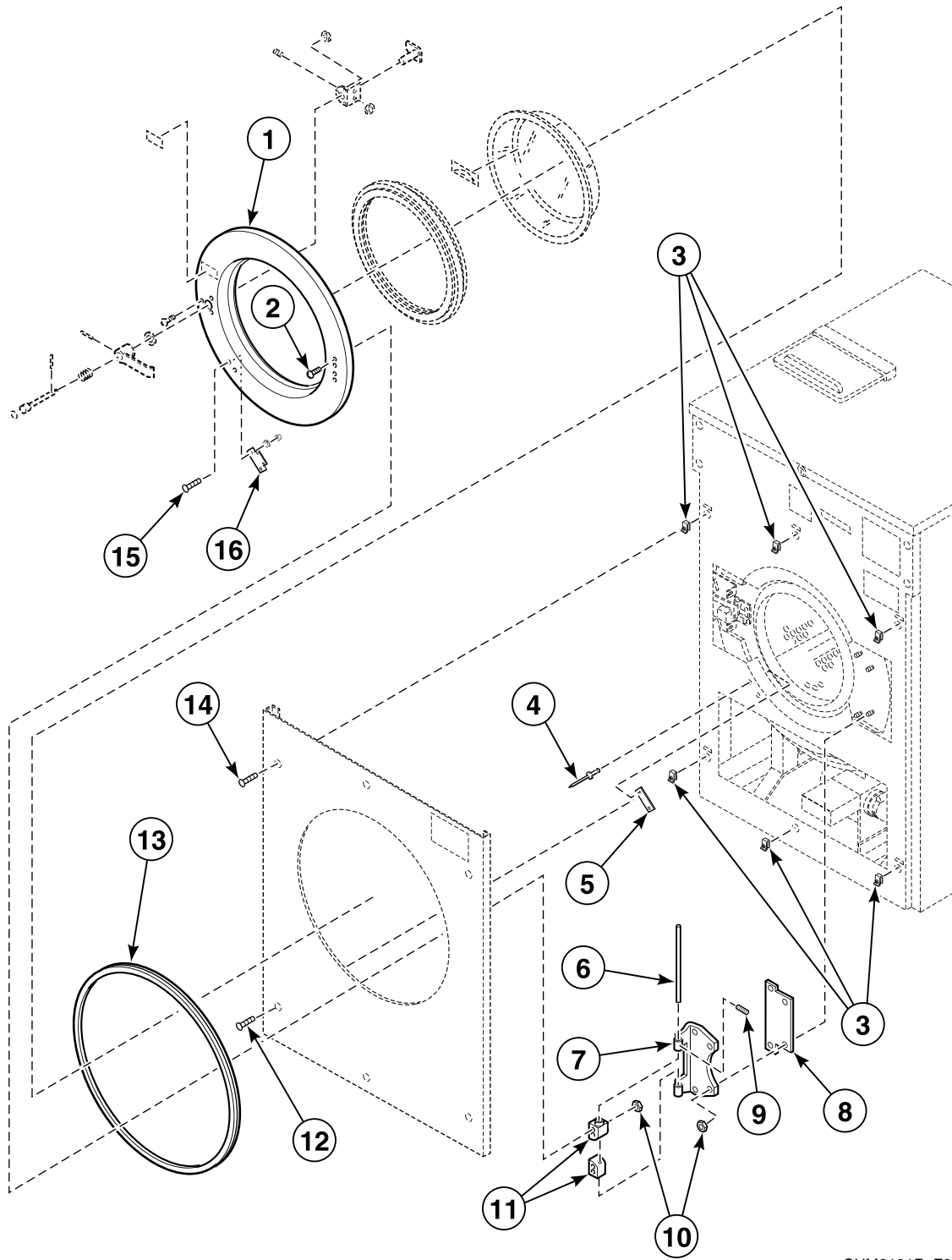


CHM2035P_F232173

Door and Outer Front Panel (Drawing 1 of 3)

REF	PART NO.	DESCRIPTION	COMMENTS
1	F230662	Red Dot Decal	
2	F431222	Spring Pin	
3	F431916	Washer	
4	F430976	Screw	
5	F230661	Push Red Button Decal	
6	F431041	Nut	
7	F0150273-00	Door Spacer	
8	F430532	Screw	HC18, HC25, SC18, SC25, UC18 and UC25 models
	F430533	Screw	HC27, HC35, HC50, SC27, SC35, SC50, UC27, UC35 and UC50 models
9	F430232	Nut	
10	F730155	Door Handle Kit	Includes items 1, 2, 7 and 16-18
11	F230693	Counterclockwise Spin Rotation Decal	
12	F290205P	Door Glass Kit	HC18, HC25, SC18, SC25, UC18 and UC25 models
	F290207P	Door Glass Kit	HC27, HC35, SC27, SC35, UC27 and UC35 models
	F290208P	Door Glass	HC50, SC50 and UC50 models
13	F200000201	Door Gasket	HC18, HC25, SC18, SC25, UC18 and UC25 models
	F170123-1	Door Gasket	HC27, HC35, SC27, SC35, UC27 and UC35 models
	F170124-1	Door Gasket	HC50, SC50 and UC50 models
14	F431022	Nut	
15	F431113	Washer	
16	F310125	Door Lock Spring	
17	F150225	Door Handle	
18	F320300	Pushbutton Rod	

Door and Outer Front Panel (Drawing 2 of 3)



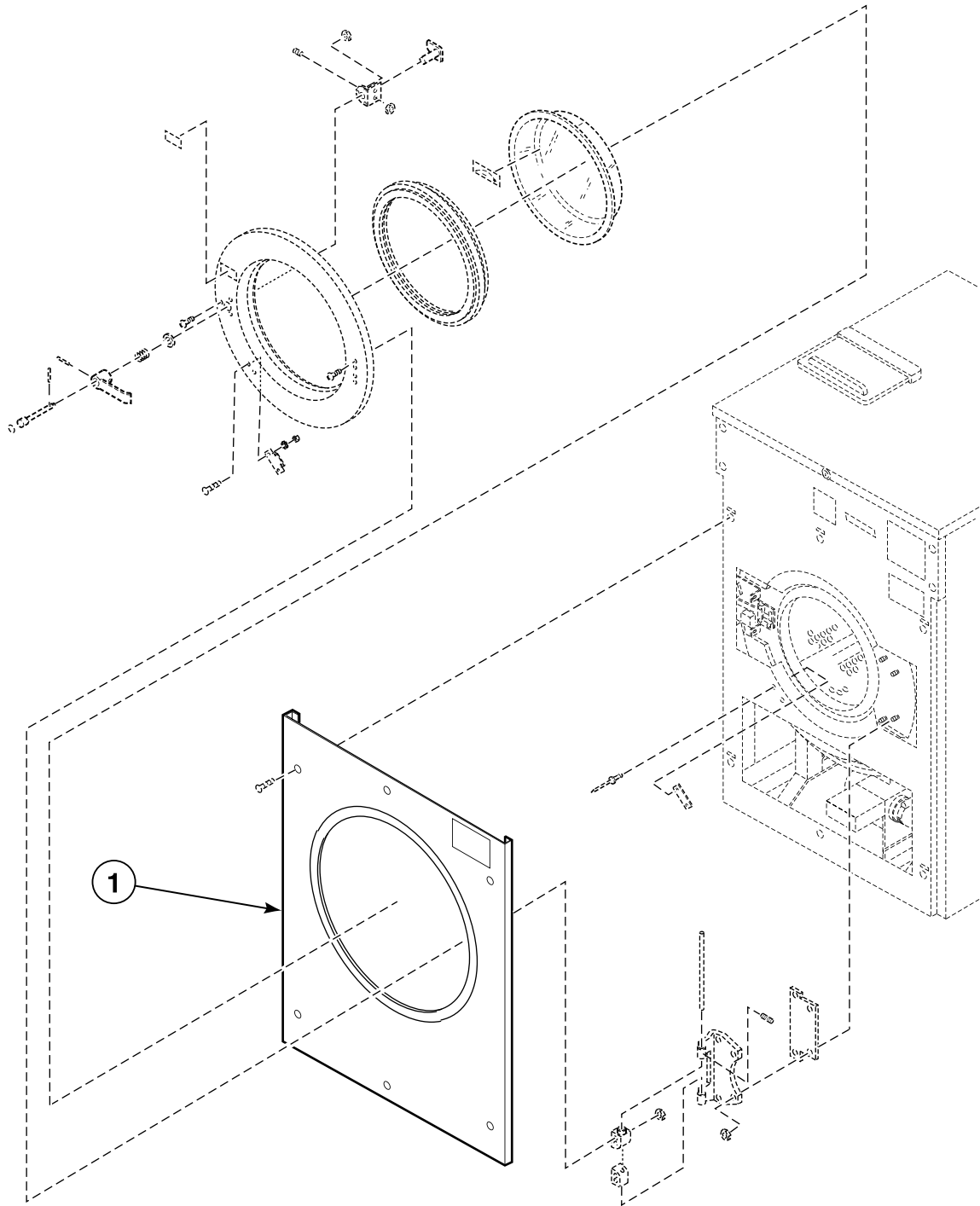
CHM2101P_F232173

Door and Outer Front Panel (Drawing 2 of 3)

REF	PART NO.	DESCRIPTION	COMMENTS
1	F604079-4	Door Assembly	HC18, HC25, SC18, SC25, UC18 and UC25 coin models
	F604079-5	Door Assembly	HC18, HC25, SC18, SC25, UC18 and UC25 OPL models
	F603239-4	Door Assembly	HC27, HC35, SC27, SC35, UC27 and UC35 coin models
	N/A	Door Assembly	HC27, HC35, SC27, SC35, UC27 and UC35 OPL models
	F603901-4	Door Assembly	HC50, SC50 and UC50 coin models
	F603901-5	Door Assembly	HC50, SC50 and UC50 OPL models
2	F430906	Screw	
3	F430264	Nut	Tinnerman
4	J1111905	Blind Rivet	
5	F340702	Magnetic Position Switch	
6	F602813-2	Rod	
7	F190216P	Door Hinge	
8	F200131000P	Door Hinge Shim Kit	As required
9	F430536	Screw	
10	F430215	Nut	
11	F150271	Door Mount	
12	F432293	Screw	
13	F015050100P	Trim	
14	F430986	Screw	
15	F430916	Screw	
16	F340703	Magnet	OPL models and CE coin models

N/A = Part no longer available

Door and Outer Front Panel (Drawing 3 of 3)



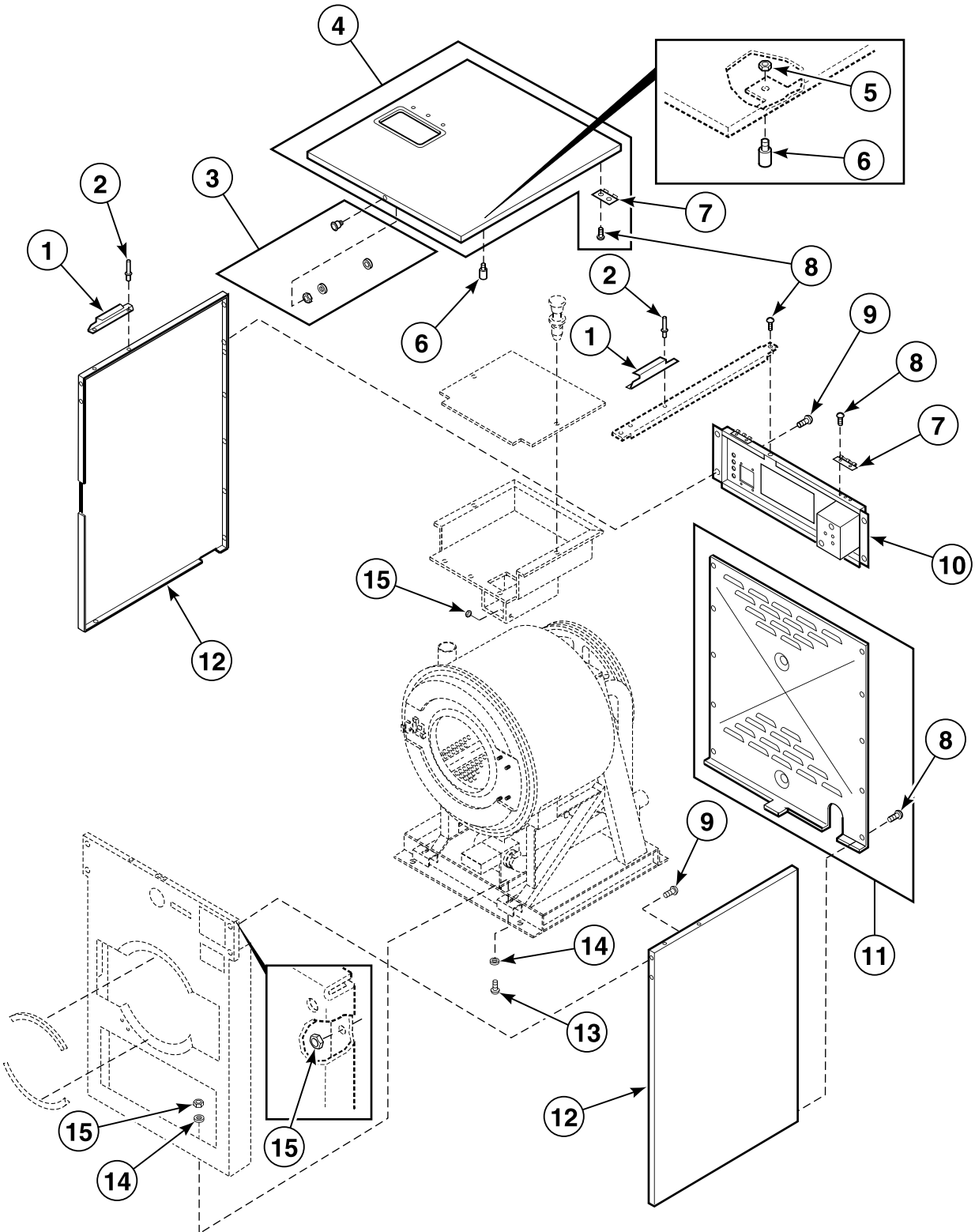
CHM2037P_F232173

Door and Outer Front Panel (Drawing 3 of 3)

REF	PART NO.	DESCRIPTION	COMMENTS
1	F757440	Front Panel Kit	Models HC18MN2, SC18MN2 and UC18MN2; Stainless steel; Used with stainless steel inner front panels
	F757406	Front Panel Kit	HC18, SC18 and UC18 coin models; Stainless steel; Used with stainless steel inner front panels
	N/A	Front Panel Kit	HC18, SC18 and UC18 coin models; Almond; Used with stainless steel inner front panels
	N/A	Front Panel Kit	HC18, SC18 and UC18 coin models; White; Used with stainless steel inner front panels
	F757445	Front Panel Kit	Models HC25MN2, SC25MN2 and UC25MN2; Stainless steel; Used with stainless steel inner front panels
	F757414	Front Panel Kit	HC25, SC25 and UC25 coin models; Stainless steel; Used with stainless steel inner front panels
	N/A	Front Panel Kit	HC25, SC25 and UC25 coin models; Almond; Used with stainless steel inner front panels
	N/A	Front Panel Kit	HC25, SC25 and UC25 coin models; White; Used with stainless steel inner front panels
	F757485-01	Front Panel Kit	Models HC27MN2, SC27MN2 and UC27MN2; Stainless steel; Used with stainless steel inner front panels
	F757484-01	Front Panel Kit	HC27, SC27 and UC27 coin models; Stainless steel; Used with stainless steel inner front panels
	N/A	Front Panel	HC27, SC27 and UC27 coin models; Almond; Used with stainless steel inner front panels
	N/A	Front Panel	HC27, SC27 and UC27 coin models; White; Used with stainless steel inner front panels
	F757450	Front Panel Kit	Models HC35MN2, SC35MN2 and UC35MN2; Stainless steel; Used with stainless steel inner front panels
	F757419	Front Panel Kit	HC35, SC35 and UC35 coin models; Stainless steel; Used with stainless steel inner front panels
	N/A	Front Panel Kit	HC35, SC35 and UC35 coin models; Almond; Used with stainless steel inner front panels
	N/A	Front Panel Kit	HC35, SC35 and UC35 coin models; White; Used with stainless steel inner front panels
	F757455	Front Panel Kit	Models HC50MN2, SC50MN2 and UC50MN2; Stainless steel; Used with stainless steel inner front panels
	F757405	Front Panel Kit	HC50, SC50 and UC50 coin models; Stainless steel; Used with stainless steel inner front panels
	N/A	Front Panel Kit	HC50, SC50 and UC50 coin models; Almond; Used with stainless steel inner front panels
	N/A	Front Panel Kit	HC50, SC50 and UC50 coin models; White; Used with stainless steel inner front panels

N/A = Part no longer available

Panels (Drawing 1 of 2)

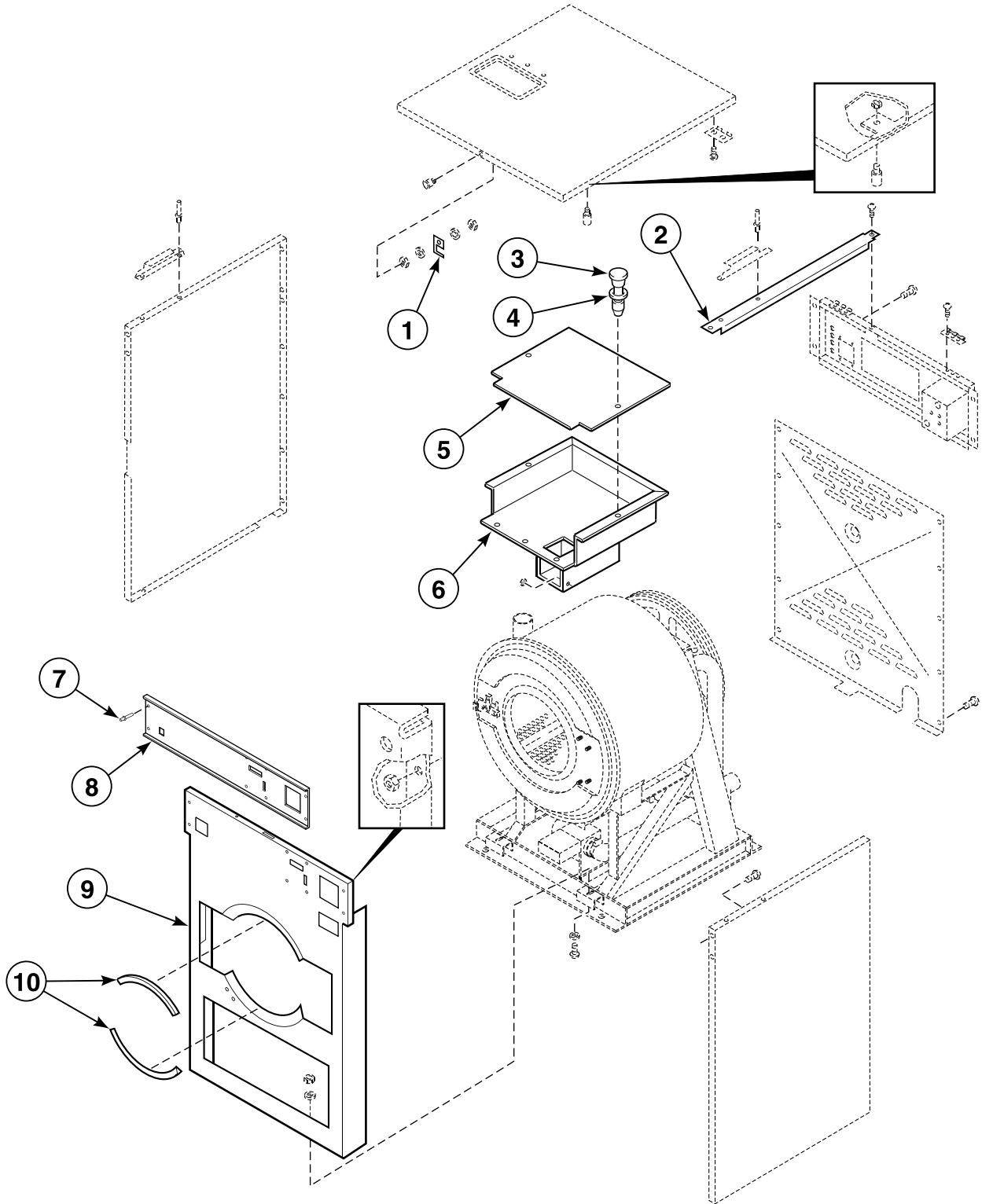


CHM1993P_F232173

Panels (Drawing 1 of 2)

REF	PART NO.	DESCRIPTION	COMMENTS
1	F602722	Mounting Bracket	
2	F431215	Pop Rivet	
3	F190802P	Lid Lock	GR3800; Old style
	F160562	Key	GR3800; Old style
	F190805P	Lid Lock	RL003; New style
	F190805-1	Key	RL003; New style
4	F758003P	Top Cover Kit	HC18, SC18 and UC18 models; Includes items 7 and 8
	F758002-01P	Top Cover Kit	HC25, SC25 and UC25 models; Includes items 7 and 8
	F0798926-00	Top Cover Kit	HC27, SC27 and UC27 models; Includes items 7 and 8
	F758001-01P	Top Cover Kit	HC35, SC35 and UC35 models; Includes items 7 and 8
	F758000-01	Top Cover Kit	HC50, SC50 and UC50 models; Includes items 7 and 8
5	F430231	Nut	
6	F390300	Stud	
7	F190203P	Take-Apart Hinge	
8	F430174	Screw	
9	F430925	Screw	
10	F633494-1	Valve Panel Sub-Assembly	HC18, HC25, SC18, SC25, UC18 and UC25 models; Includes items 9 and 15
	F633494-2	Valve Panel Sub-Assembly	HC27, SC27 and UC27 models; Includes items 9 and 15
	F633494-3	Valve Panel Sub-Assembly	HC35, SC35 and UC35 models; Includes items 9 and 15
	F633494-4	Valve Panel Sub-Assembly	HC50, SC50 and UC50 models; Includes items 9 and 15
11	F757000	Rear Panel Kit	HC18, SC18 and UC18 models; Includes item 8
	F757001	Rear Panel Kit	HC25, SC25 and UC25 models; Includes item 8
	F0798927-00	Rear Panel Kit	HC27, SC27 and UC27 models; Includes item 8
	F757003	Rear Panel Kit	HC35, SC35 and UC35 models; Includes item 8
	F757002	Rear Panel Kit	HC50, SC50 and UC50 models; Includes item 8
12	F0636136-00P	Left Side Panel	HC18, SC18 and UC18 models
	F635272-1P	Left Side Panel	HC25, SC25 and UC25 models
	F635274-1P	Left Side Panel	HC27, SC27 and UC27 models
	F634499-1	Left Side Panel	HC35, SC35 and UC35 models
	F634397-1	Left Side Panel	HC50, SC50 and UC50 models
	F0635271-01	Right Side Panel	HC18, SC18 and UC18 models
	F0636594-00P	Right Side Panel	HC25, SC25 and UC25 models
	F635275-1P	Right Side Panel	HC27, SC27 and UC27 models
	F634500-1	Right Side Panel	HC35, SC35 and UC35 models
	F634396-1P	Right Side Panel	HC50, SC50 and UC50 models
	F757602	Left Side Panel Kit	HC35, SC35 and UC35 models; Includes F634499-1 Left Side Panel and items 1, 2, 9 and 15
	F757603	Left Side Panel Kit	HC50, SC50 and UC50 models; Includes F634397-1 Left Side Panel and items 1, 2, 9 and 15
13	F430108	Screw	
14	F430317	Washer	
15	F430215	Nut	

Panels (Drawing 2 of 2)

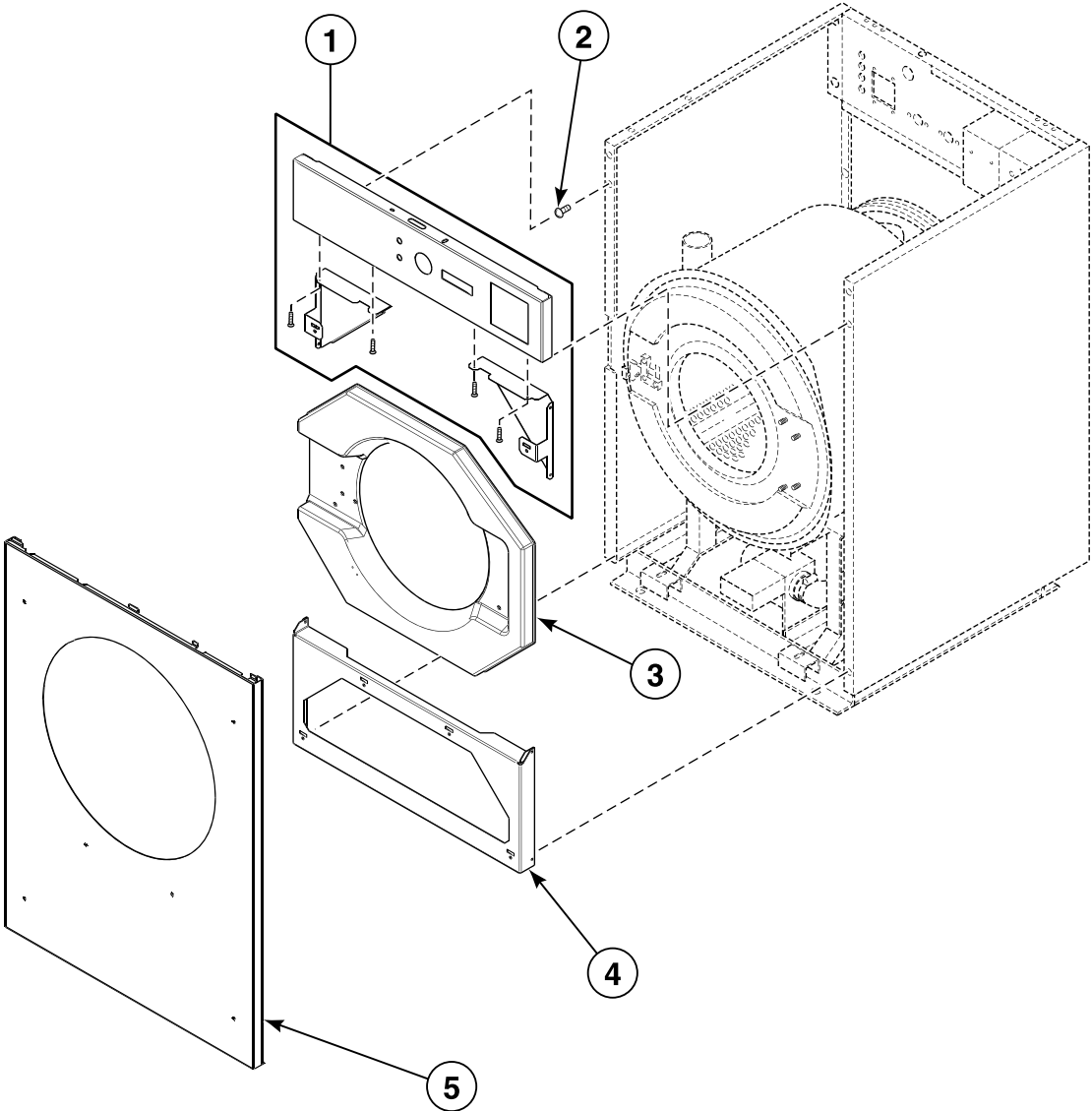


CHM1994P_F232173

Panels (Drawing 2 of 2)

REF	PART NO.	DESCRIPTION	COMMENTS
1	F602753	Top Cover Latch	
2	F602620	Top Brace	HC18, SC18 and UC18 models
	F606239	Top Brace	HC25, SC25 and UC25 models
	F631247	Top Brace	HC27, SC27 and UC27 models
	F603014	Top Brace	HC35, SC35 and UC35 models
	F603227	Top Brace	HC50, SC50 and UC50 models
3	F432005	Rivet	
4	F170607	Grommet	
5	F602961	Module Cover	For terminal strip style machines
6	F602694	Electrical Box Assembly	For terminal strip style machines
7	F431210	Pop Rivet	
8	F150313	Extrusion Panel	HC18, SC18 and UC18 models
	F150403	Extrusion Control Panel	HC27, SC27 and UC27 models
	F150322	Extrusion Panel	HC35, SC35 and UC35 models
	F150323	Extrusion Panel	HC50, SC50 and UC50 models
9	F757207	Inner Front Panel Kit	HC18, SC18 and UC18 models
	F757204	Inner Front Panel Kit	HC25, SC25 and UC25 models
	F631968-2	Front Panel Assembly	HC27, SC27 and UC27 models
	F757203	Inner Front Panel Kit	HC35, SC35 and UC35 models
	F757200	Inner Front Panel Kit	HC50, SC50 and UC50 models
10	F170401P	Gasket	

Inner Front Panel Kit Replacements - OPL Models Starting 8/2/99

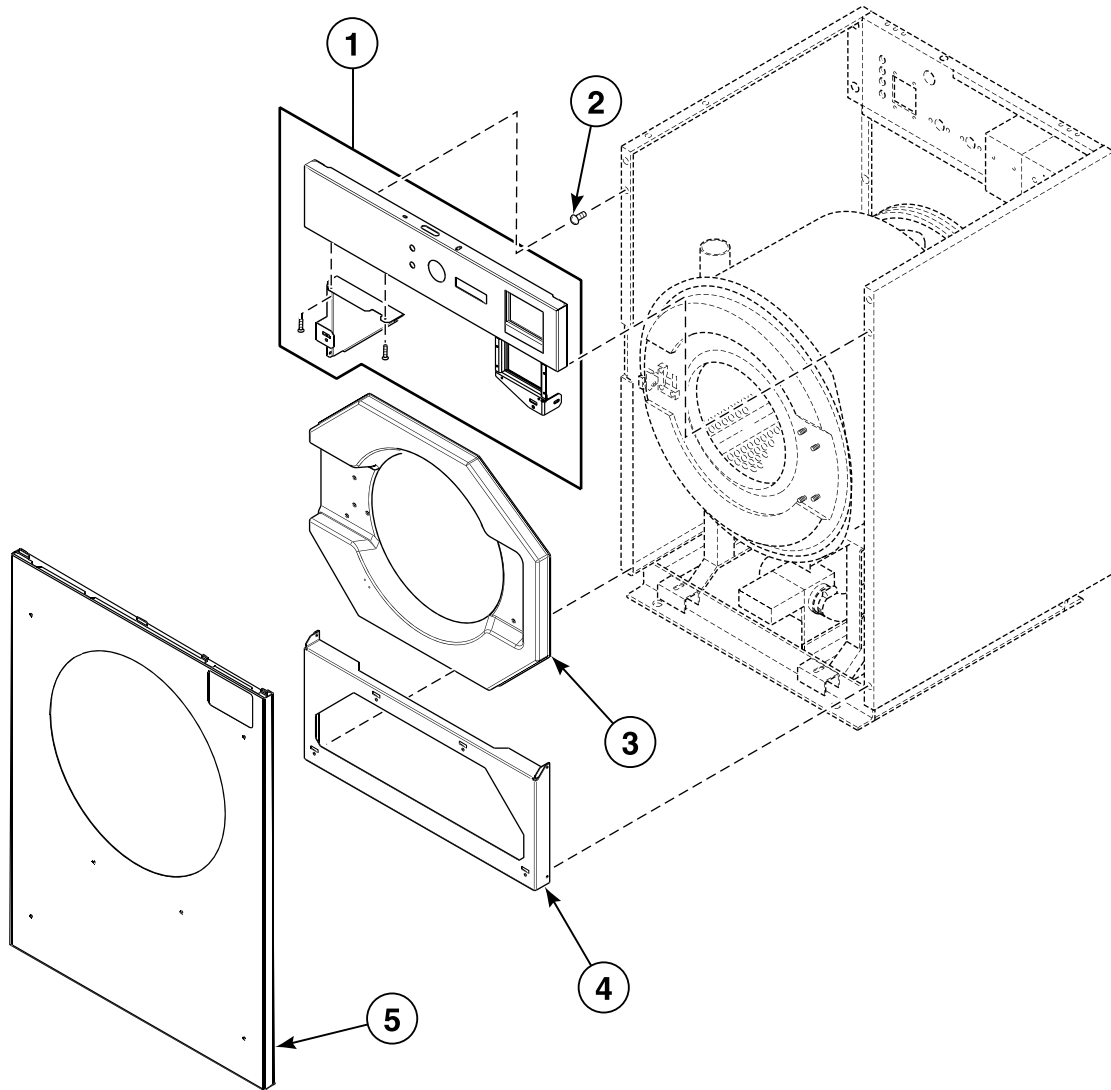


CHM2102P_F232173

Inner Front Panel Kit Replacements - OPL Models Starting 8/2/99

REF	PART NO.	DESCRIPTION	COMMENTS
1	F635521-2	Control Panel Assembly	Models HC18MN2, HC25MN2, SC18MN2, SC25MN2, UC18MN2 and UC25MN2
	F635522-2	Control Panel Assembly	Models HC27MN2, SC27MN2 and UC27MN2
	F635525-2	Control Panel Assembly	Models HC35MN2, SC35MN2 and UC35MN2
	F635526-2	Control Panel Assembly	Models HC50MN2, SC50MN2 and UC50MN2
2	F0432320-00	T-Bolt Fastener	
3	F634668-1	Door Bezel	Models SC18MN2, SC25MN2, UC18MN2 and UC25MN2
	F634668-2	Door Bezel	Models HC18MN2 and HC25MN2
	F170417-1	Door Bezel	Models HC27MN2, HC35MN2, SC27MN2, SC35MN2, UC27MN2 and UC35MN2
	F0170426-00	Door Bezel	Models SC50MN2 and UC50MN2
	F0170426-10	Door Bezel	Model HC50MN2
4	F634800	Cabinet Brace	Models HC18MN2, HC25MN2, SC18MN2, SC25MN2, UC18MN2 and UC25MN2
	F634801	Cabinet Brace	Models HC27MN2, SC27MN2 and UC27MN2
	F634802	Cabinet Brace	Models HC35MN2, SC35MN2 and UC35MN2
	F634803P	Cabinet Brace	Models HC50MN2, SC50MN2 and UC50MN2
5	F634683-1P	Front Panel	Models HC18MN2, HC25MN2, SC18MN2, SC25MN2, UC18MN2 and UC25MN2; Stainless steel; Used with bezel style inner front panel models
	F634683-2	Front Panel	Models HC18MN2, HC25MN2, SC18MN2, SC25MN2, UC18MN2 and UC25MN2; Almond; Used with bezel style inner front panel models
	F634683-5	Front Panel	Models HC18MN2, HC25MN2, SC18MN2, SC25MN2, UC18MN2 and UC25MN2; White; Used with bezel style inner front panel models
	F634666-1P	Front Panel	Models HC27MN2, SC27MN2 and UC27MN2; Stainless steel; Used with bezel style inner front panel models
	F634666-2	Front Panel	Models HC27MN2, SC27MN2 and UC27MN2; Almond; Used with bezel style inner front panel models
	F634666-5	Front Panel	Models HC27MN2, SC27MN2 and UC27MN2; White; Used with bezel style inner front panel models
	F634817-1	Front Panel	Models HC35MN2, SC35MN2 and UC35MN2; Stainless steel; Used with bezel style inner front panel models
	F634817-2	Front Panel	Models HC35MN2, SC35MN2 and UC35MN2; Almond; Used with bezel style inner front panel models
	F634817-5	Front Panel	Models HC35MN2, SC35MN2 and UC35MN2; White; Used with bezel style inner front panel models
	F634765-1P	Front Panel	Models HC50MN2, SC50MN2 and UC50MN2; Stainless steel; Used with bezel style inner front panel models
	F634765-2	Front Panel	Models HC50MN2, SC50MN2 and UC50MN2; Almond; Used with bezel style inner front panel models
	F634765-5	Front Panel	Models HC50MN2, SC50MN2 and UC50MN2; White; Used with bezel style inner front panel models

Inner Front Panel Kit Replacements - Coin Models Starting 8/2/99



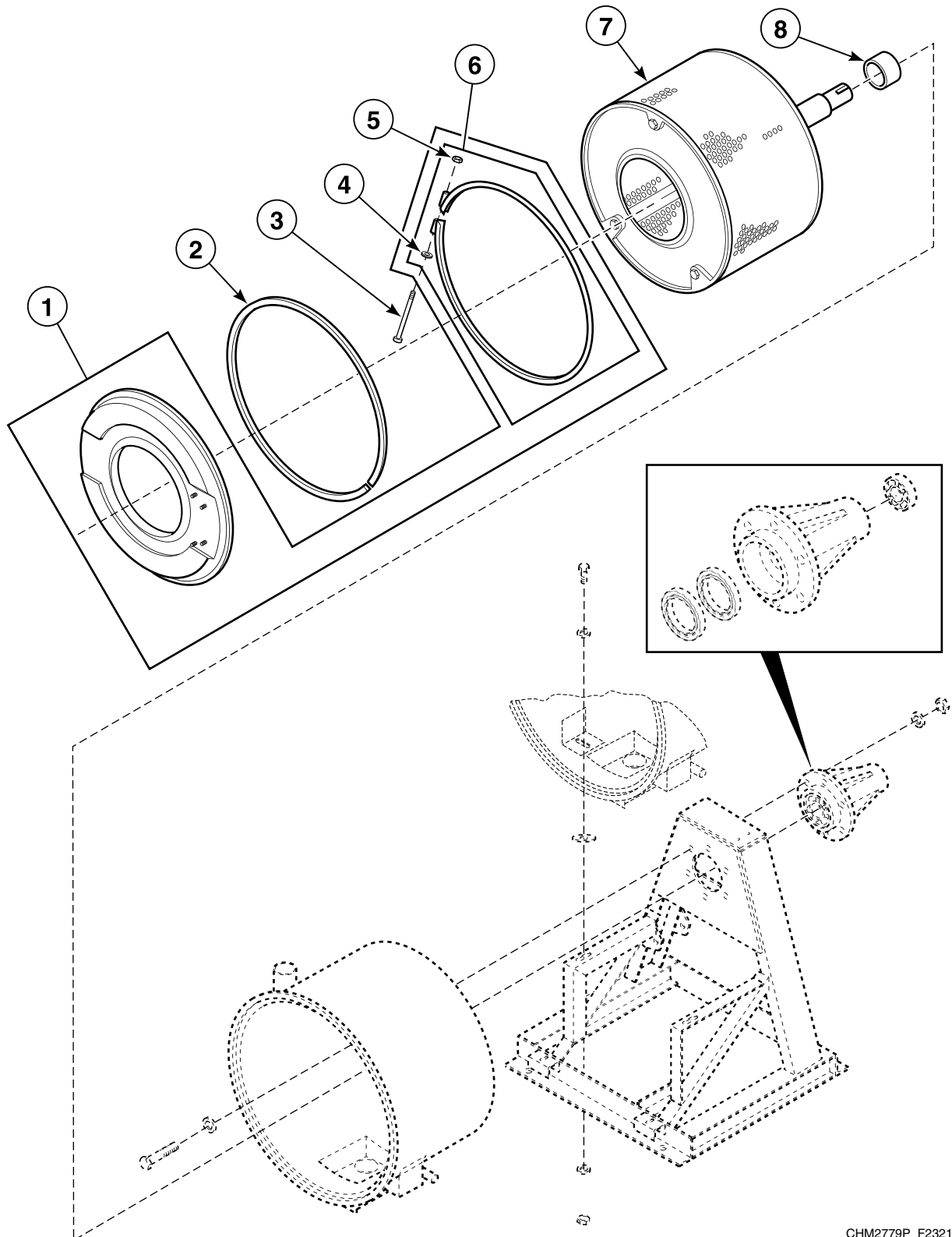
CHM2103P_F232173

Inner Front Panel Kit Replacements - Coin Models Starting 8/2/99

REF	PART NO.	DESCRIPTION	COMMENTS
1	F635521-1	Control Panel Assembly	HC18, HC25, SC18, SC25, UC18 and UC25 models
	F635522-1	Control Panel Assembly	HC27, SC27 and UC27 models
	F635525-1	Control Panel Assembly	HC35, SC35 and UC35 models
	F635526-1	Control Panel Assembly	HC50, SC50 and UC50 models
2	F0432320-00	T-Bolt Fastener	
3	F170416-1	Door Bezel	SC18 and SC25 models
	F170416-2	Door Bezel	HC18, HC25, UC18 and UC25 models
	F170417-1	Door Bezel	SC27, SC35, UC27 and UC35 models
	F170417-2	Door Bezel	HC27 and HC35 models
	F0170426-00	Door Bezel	SC50 and UC50 models
	F0170426-10	Door Bezel	HC50 models
4	F634800	Cabinet Brace	HC18, HC25, SC18, SC25, UC18 and UC25 models
	F634801	Cabinet Brace	HC27, SC27 and UC27 models
	F634802	Cabinet Brace	HC35, SC35 and UC35 models
	F634803P	Cabinet Brace	HC50, SC50 and UC50 models
5	F634682-1P	Front Panel	HC18, SC18 and UC18 models; Stainless steel; Used with bezel style inner front panel models
	F634682-2	Front Panel	HC18, SC18 and UC18 models; Almond; Used with bezel style inner front panel models
	F634682-5	Front Panel	HC18, SC18 and UC18 models; White; Used with bezel style inner front panel models
	F634682-6	Front Panel	HC18, SC18 and UC18 models; Orange; Used with bezel style inner front panel models
	F634836-1P	Front Panel	HC25, SC25 and UC25 models; Stainless steel; Used with bezel style inner front panel models
	F634836-2	Front Panel	HC25, SC25 and UC25 models; Almond; Used with bezel style inner front panel models
	N/A	Front Panel	HC25, SC25 and UC25 models; White; Used with bezel style inner front panel models
	F634836-6	Front Panel	HC25, SC25 and UC25 models; Orange; Used with bezel style inner front panel models
	F634665-1P	Front Panel	HC27, SC27 and UC27 models; Stainless steel; Used with bezel style inner front panel models
	F634665-2	Front Panel	HC27, SC27 and UC27 models; Almond; Used with bezel style inner front panel models
	F634665-5	Front Panel	HC27, SC27 and UC27 models; White; Used with bezel style inner front panel models
	F634816-1P	Front Panel	HC35, SC35 and UC35 models; Stainless steel; Used with bezel style inner front panel models
	F634816-2	Front Panel	HC35, SC35 and UC35 models; Almond; Used with bezel style inner front panel models
	F634816-5	Front Panel	HC35, SC35 and UC35 models; White; Used with bezel style inner front panel models
	F634816-6	Front Panel	HC35, SC35 and UC35 models; Orange; Used with bezel style inner front panel models
	F634764-1P	Front Panel	HC50, SC50 and UC50 models; Stainless steel; Used with bezel style inner front panel models
	F634764-2	Front Panel	HC50, SC50 and UC50 models; Almond; Used with bezel style inner front panel models
	F634764-5	Front Panel	HC50, SC50 and UC50 models; White; Used with bezel style inner front panel models
	F634764-6	Front Panel	HC50, SC50 and UC50 models; Orange; Used with bezel style inner front panel models

N/A = Part no longer available

Shell Front, Basket, Outer Shell and Trunnion Assembly (Drawing 1 of 2)

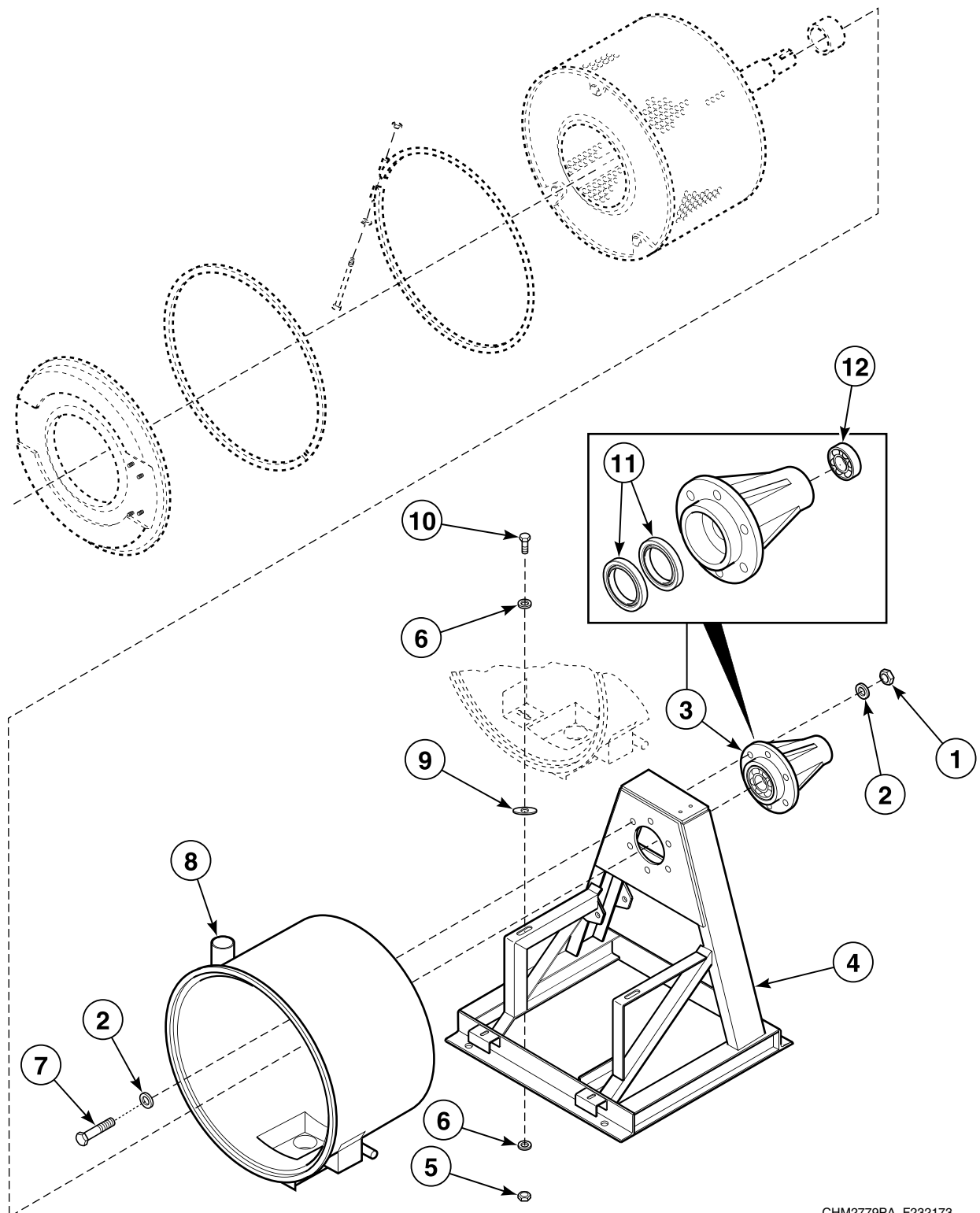


CHM2779P_F232173

Shell Front, Basket, Outer Shell and Trunnion Assembly (Drawing 1 of 2)

REF	PART NO.	DESCRIPTION	COMMENTS
1	F741300P	Shell Front Kit	HC18, HC25, SC18, SC25, UC18 and UC25 models; Includes item 6
	F632006	Shell Front Assembly	HC27, SC27 and UC27 models; Includes item 6
	F741301-01	Shell Front Kit	HC35, SC35 and UC35 models; Includes item 6
	F741302-01	Shell Front Kit	HC50, SC50 and UC50 models; Includes item 6
2	F792000	Shell Front Gasket Kit	Includes items 3-5 and F410102 Clear Sealant
	F200001600P	Shell Band Gasket	
3	F430518	Screw	
4	F430317	Washer	
5	F430215	Nut	
6	F741700	Shell Band Kit	HC18, HC25, SC18, SC25, UC18 and UC25 models; Includes items 4 and 5
	F631977	Shell Band Assembly	HC27, SC27 and UC27 models; Includes items 4 and 5
	F741701	Shell Band Kit	HC35, SC35 and UC35 models; Includes items 4 and 5
	F741702	Shell Band Kit	HC50, SC50 and UC50 models; Includes items 4 and 5
7	F602241-1P	Basket Assembly	HC18, SC18 and UC18 models
	F606214	Basket Assembly	HC25, SC25 and UC25 models
	F631927	Basket Assembly	HC27, SC27 and UC27 models
	F603225-1	Basket Assembly	HC35, SC35 and UC35 models
	F603900-1	Basket Assembly	HC50, SC50 and UC50 models
8	F200215100	Shaft Seal Sleeve	HC18, SC18 and UC18 models
	F200215500	Shaft Seal Sleeve	HC25, SC25 and UC25 models
	F200215200	Shaft Seal Sleeve	HC27, SC27 and UC27 models
	F200215300	Shaft Seal Sleeve	HC35, SC35 and UC35 models
	F200215400	Shaft Seal Sleeve	HC50, SC50 and UC50 models

Shell Front, Basket, Outer Shell and Trunnion Assembly (Drawing 2 of 2)

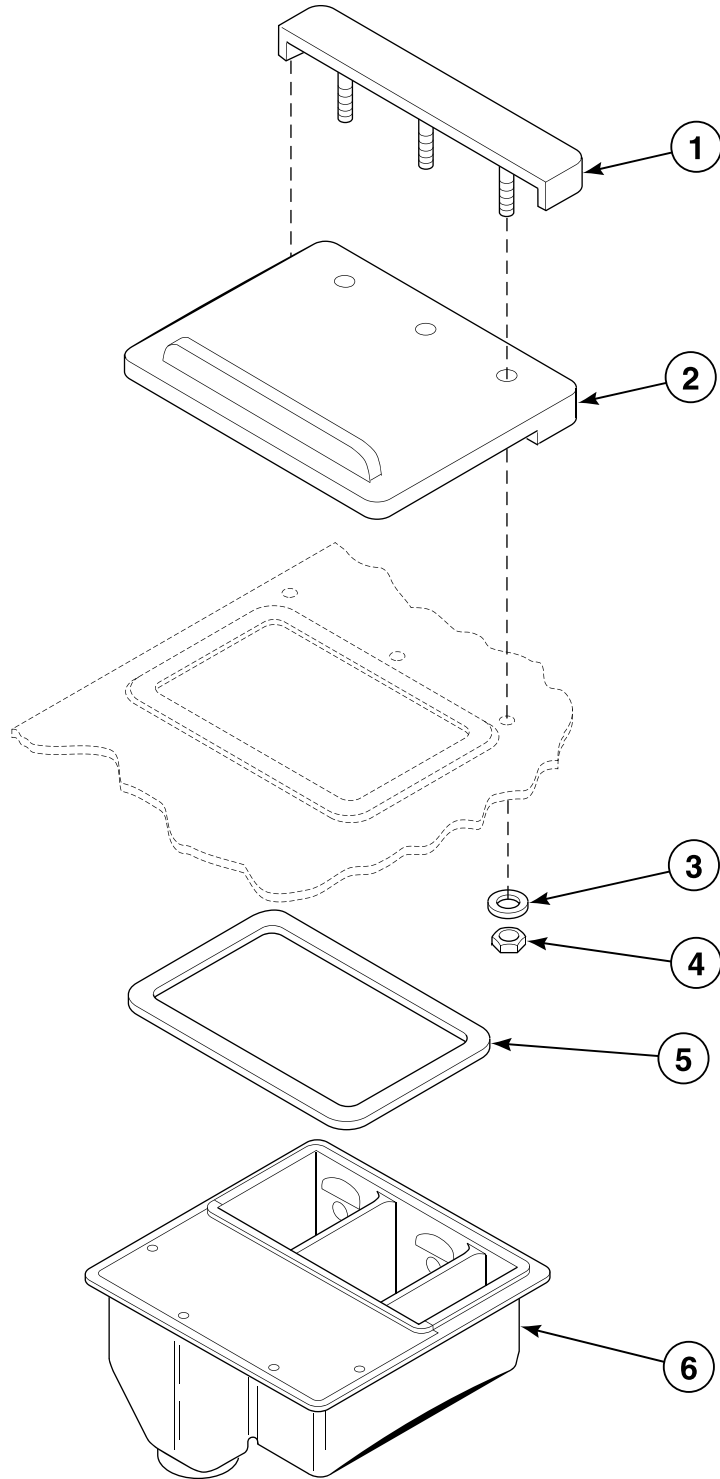


CHM2779PA_F232173

Shell Front, Basket, Outer Shell and Trunnion Assembly (Drawing 2 of 2)

REF	PART NO.	DESCRIPTION	COMMENTS
1	F430239	Nut	HC18, HC25, HC27, SC18, SC25, SC27, UC18, UC25 and UC27 models
	F430240	Nut	HC35, HC50, SC35, SC50, UC35 and UC50 models
2	F431128	Washer	HC18, HC25, HC27, SC18, SC25, SC27, UC18, UC25 and UC27 models
	F431131	Washer	HC35, HC50, SC35, SC50, UC35 and UC50 models
3	F747000	Trunnion Kit	HC18, SC18 and UC18 models; Includes the front shell gasket kit and items 1, 2, 7 and 12
	F747001	Trunnion Kit	HC25, SC25 and UC25 models; Includes the front shell gasket kit and items 1, 2, 7 and 12
	F747002	Trunnion Kit	HC27, HC35, SC27, SC35, UC27 and UC35 models; Includes the front shell gasket kit and items 1, 2, 7 and 12
	F747004	Trunnion Kit	HC50, SC50 and UC50 models; Includes the front shell gasket kit and items 1, 2, 7 and 12
4	F607003	Frame Assembly	HC18, SC18 and UC18 models
	F606178	Frame Assembly	HC25, SC25 and UC25 models
	F630232	Frame Assembly	HC27, SC27 and UC27 models
	F607004	Frame Assembly	HC35, SC35 and UC35 models
	F607005	Frame Assembly	HC50, SC50 and UC50 models
5	F430218	Nut	
6	F430301	Washer	
7	F430949	Screw	HC18, HC25, HC27, SC18, SC25, SC27, UC18, UC25 and UC27 models
	F430987	Screw	HC35, HC50, SC35, SC50, UC35 and UC50 models
8	F634600	Shell Weldment	HC18, SC18 and UC18 models
	F634608	Shell Weldment	HC25, HC27, SC25, SC27, UC25 and UC27 models
	F741008	Shell Kit	HC35, SC35 and UC35 models; Includes items 5, 6, 9, F200142 Air Trap Hose, F200205 Hose Clamp (No. 10), F200213 Hose Clamp (No. 40), F200215 Hose Clamp (No. 28), F200222 Hose Clamp (No. 12) and F430942 Screw
	F634644	Shell Weldment	HC50, SC50 and UC50 models
9	F430303	Washer	HC50, SC50 and UC50 models
10	F430942	Screw	
11	F100208	Shaft Seal	HC18, SC18 and UC18 models
	F100242	Shaft Seal	HC25, SC25 and UC25 models
	F100228	Shaft Seal	HC27, HC35, SC27, SC35, UC27 and UC35 models
	F100229	Shaft Seal	HC50, SC50 and UC50 models
12	F100108	Bearing	6208 2RS C3; HC18, HC27, HC35, SC18, SC27, SC35, UC18, UC27 and UC35 models rear bearing
	F100109P	Motor Bearing	6207 2RS C3; HC18, SC18 and UC18 models rear bearing
	F100136P	Bearing	6307 2RS C3; HC25, SC25 and UC25 models rear bearing
	F100137	Bearing	6308 2RS C3; HC25, SC25 and UC25 models front bearing
	F100123P	Bearing	6309 2RS C3; HC27, HC35, SC27, SC35, UC27 and UC35 models front bearing; HC50, SC50 and UC50 models rear bearing
	F100122	Bearing	6312 2RS C3; HC50, SC50 and UC50 models front bearing

Dispenser

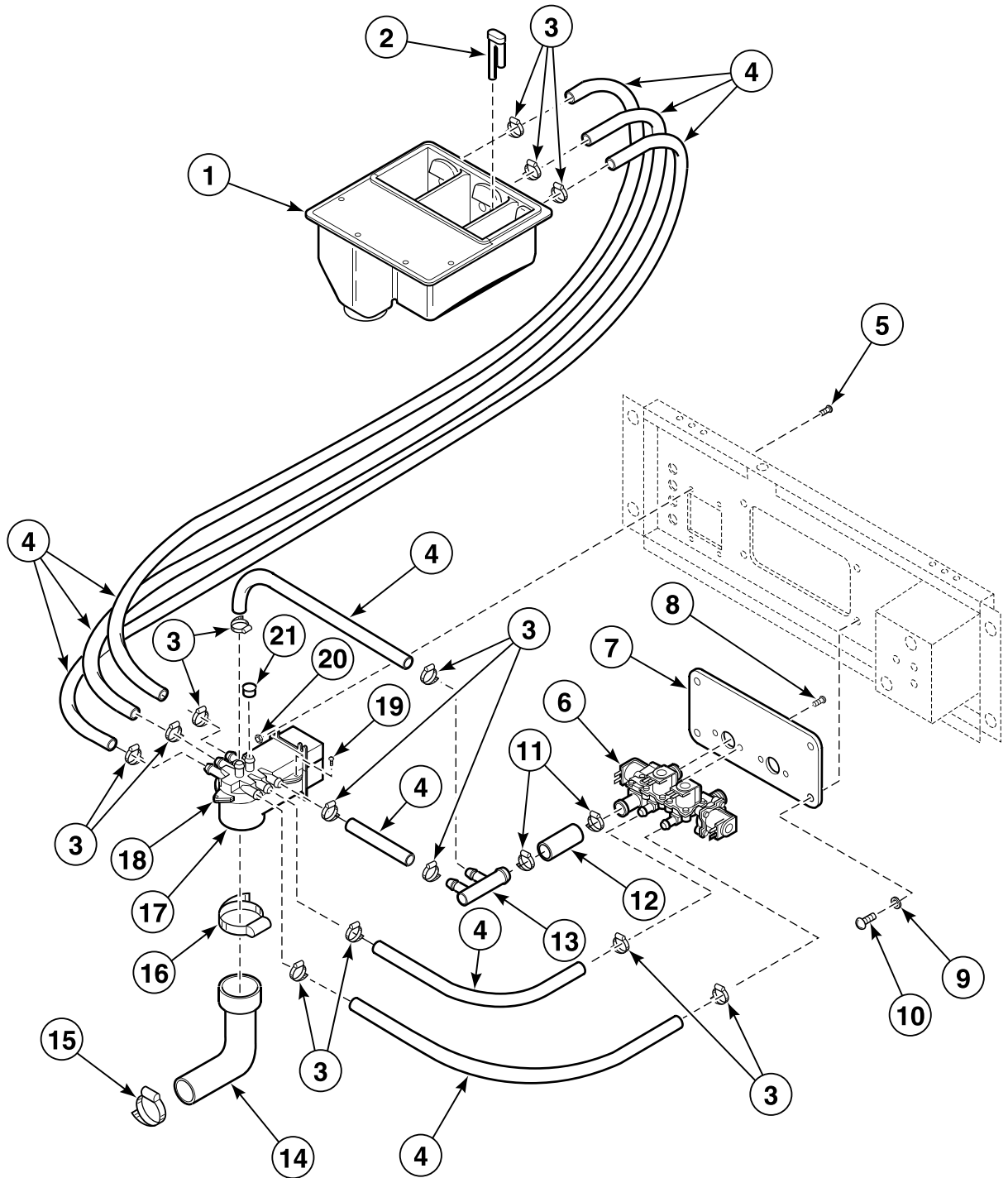


B015P_F232173

Dispenser

REF	PART NO.	DESCRIPTION	COMMENTS
1	F630430	Lid Clamp Assembly	
2	F200270501	Supply Dispenser Lid	
3	F431147	Washer	
4	F431024	Nut	
5	F170170	Supply Dispenser Gasket	
6	F200202210	Supply Dispenser Assembly	Coin models
	F602374-2	Soap Dispenser	OPL models with 4 liquid connectors
	F602374-3	Supply Dispenser	OPL models with 5 liquid connectors

Supply Dispenser Assembly - With Mueller Valve

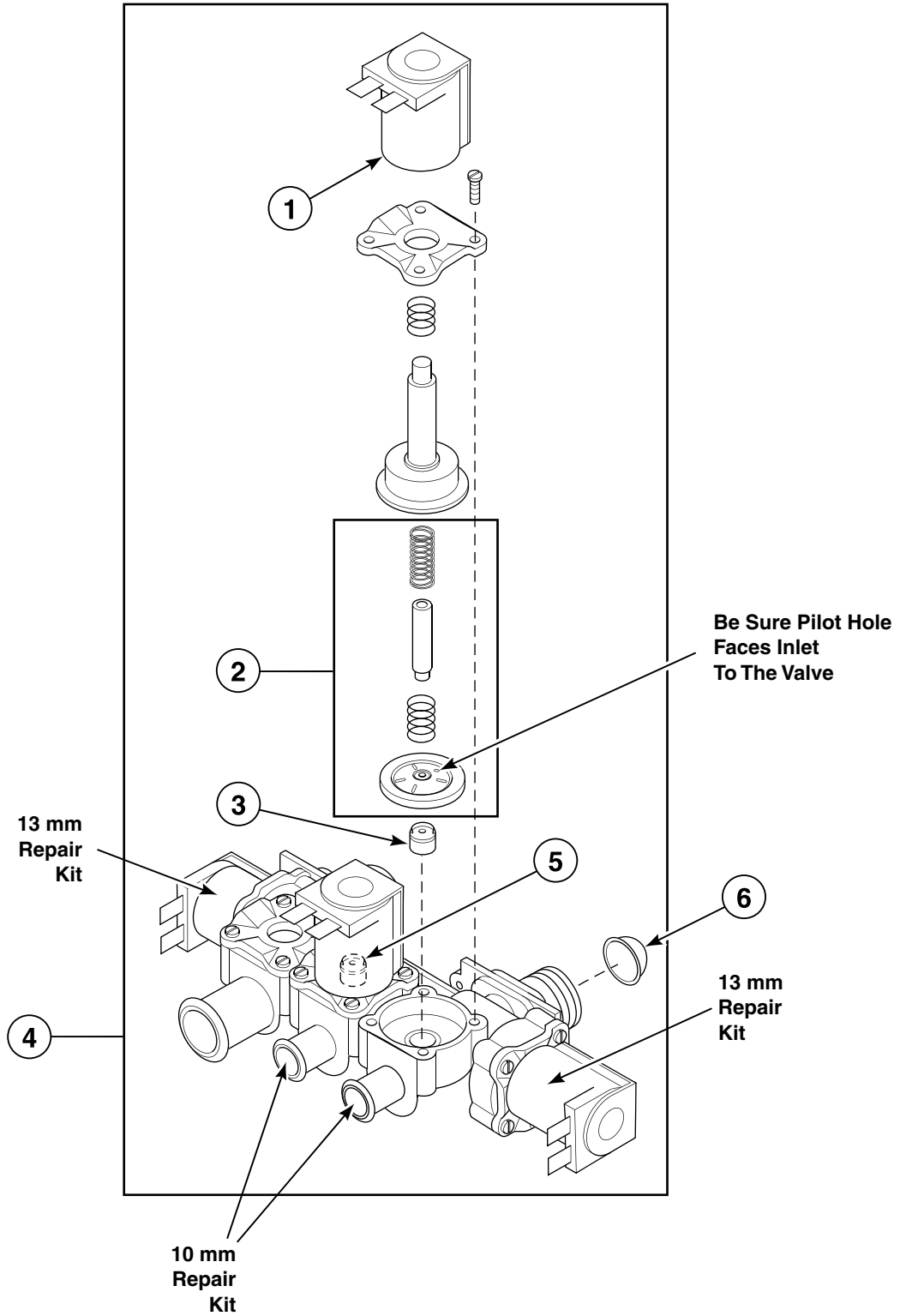


CHM1630P_F232173

Supply Dispenser Assembly - With Mueller Valve

REF	PART NO.	DESCRIPTION	COMMENTS
1	F200202210	Supply Dispenser Assembly	Coin models
	F602374-2	Soap Dispenser	OPL models with 4 liquid connectors
	F602374-3	Supply Dispenser	OPL models with 5 liquid connectors
2	F150390	Siphon Tube	Optional
3	36801	Hose Clamp	No. 6
4	F200108P	Water Hose	
5	F430916	Screw	
6	F730455	3-Way Mixing Valve Kit	Includes F270200 Strainer; 120 Volt
	F730456	3-Way Mixing Valve Kit	Includes F270200 Strainer; 220 Volt
7	F606595	Mounting Plate	
8	F430948	Screw	
9	F430322	Washer	
10	F430929	Screw	
11	F200205	Hose Clamp	No. 10
12	F200128P	Water Hose	
13	F150371	Manifold	
14	F150321	Vacuum Breaker Hose	HC18, HC25, HC27, HC35, SC18, SC25, SC27, SC35, UC18, UC25, UC27 and UC35 models
	F150340	Vacuum Breaker Hose	HC50, SC50 and UC50 models
15	F200213	Hose Clamp	No. 40
16	N/A	Hose Clamp	No. 48
17	F150330	Vacuum Breaker Bottom	
18	F0150329-00	Vacuum Breaker Top	
19	F430177	Screw	
20	F430231	Nut	
21	F190301	Cap Plug	

3-Way Mixing Valve - Mueller

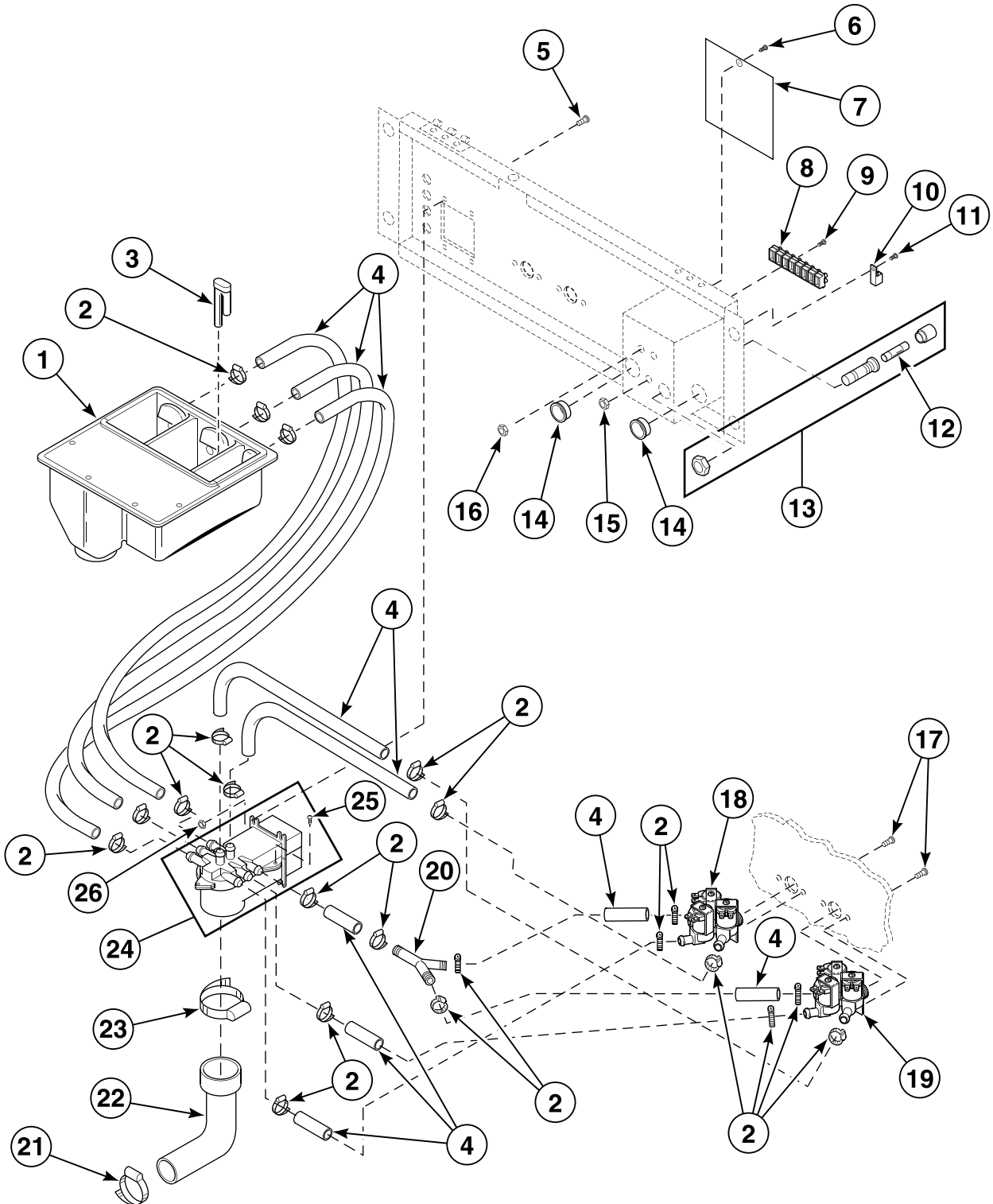


B008P_F232173

3-Way Mixing Valve - Mueller

REF	PART NO.	DESCRIPTION	COMMENTS
1	F380900	Coil	110-127 Volt
	F380917	Coil	200-240 Volt
2	F380954	Valve Repair Kit	10 mm
	F380939	Valve Repair Kit	13 mm
3	F380958	Flow Restrictor	4 mm
4	F730455	3-Way Mixing Valve Kit	120 Volt
	F730456	3-Way Mixing Valve Kit	220 Volt
5	F380957	Flow Restrictor	2.8 mm
6	F270200	Strainer	

Supply Dispenser Assembly - With Elbi Valve

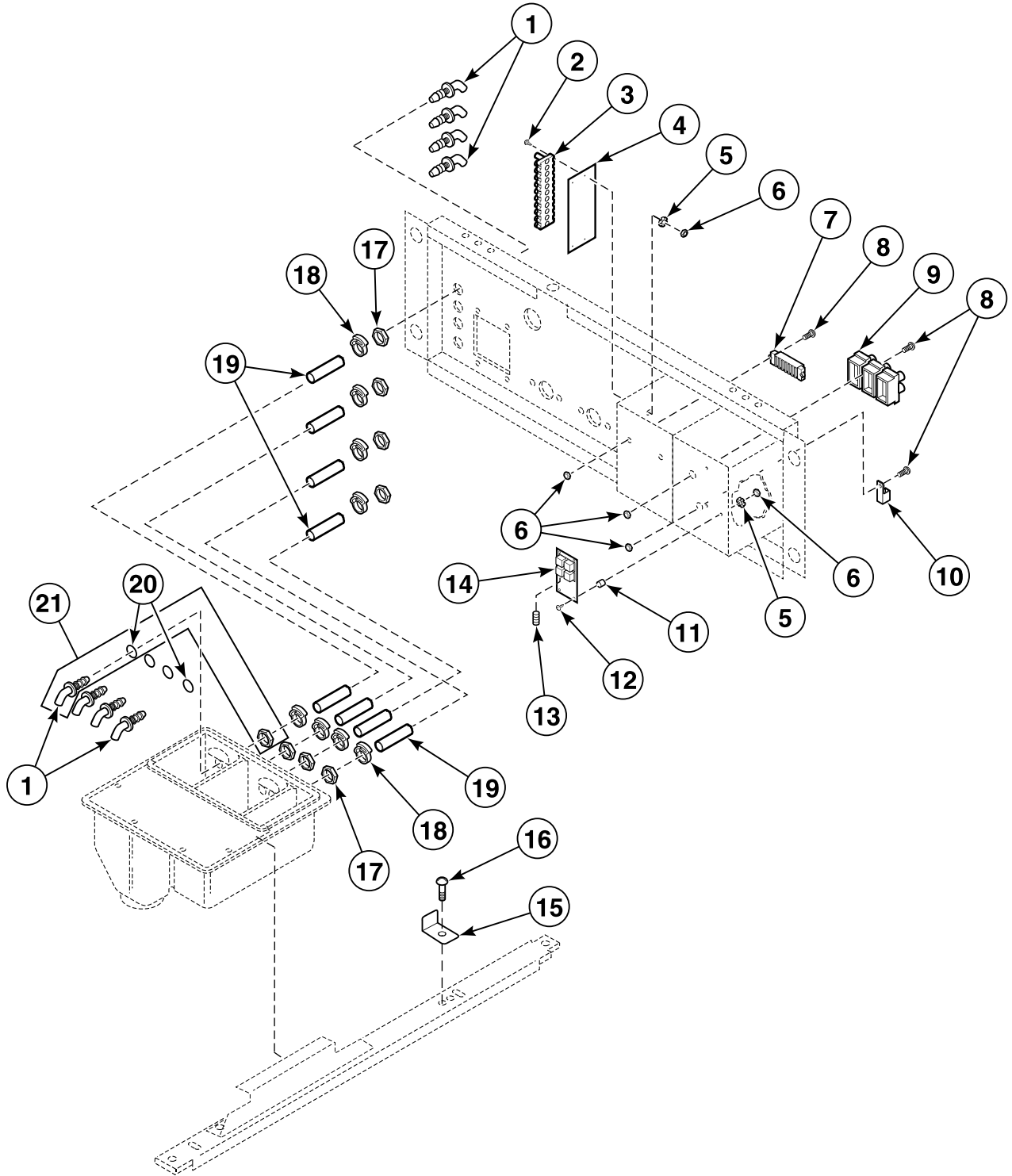


CHM1631P_F232173

Supply Dispenser Assembly - With Elbi Valve

REF	PART NO.	DESCRIPTION	COMMENTS
1	F634377P	Supply Dispenser	Coin models
	F602374-2	Soap Dispenser	OPL models with 4 liquid connectors
	F602374-3	Supply Dispenser	OPL models with 5 liquid connectors
2	36801	Hose Clamp	No. 6
3	F150390	Siphon Tube	
4	F200108P	Water Hose	
5	F430916	Screw	
6	F430174	Screw	
7	F633260	Power Supply Cover	
8	F140766	Terminal	
9	F430916	Screw	
10	F140734	Ground Terminal Lug	
11	F430903	Screw	
12	F350115	Fuse	
13	F0350312-10	Fuse Holder	
14	F140909	Insulator Bushing	
15	F430232	Nut	
16	F431022	Nut	
17	F430948	Screw	
18	F381728P	3-Way Valve	Standard thread; Hot; 120 Volt; F380119 Flow Restrictor
	F381725P	3-Way Valve	Metric thread; Hot; 120 Volt; F380119 Flow Restrictor
	F381730P	3-Way Valve	Metric thread; Hot; 220 Volt; F380119 Flow Restrictor
19	F381720P	3-Way Valve	Standard thread; Cold; 120 Volt
	F381725P	3-Way Valve	Metric thread; Cold; 120 Volt
	F381718P	3-Way Valve	Metric thread; Cold; 220 Volt
20	F422808	Y Connector	
21	F200213	Hose Clamp	No. 40
22	F150321	Vacuum Breaker Hose	HC18, HC27, HC35, SC18, SC27, SC35, UC18, UC27 and UC35 models
	F150372	Fill Hose	HC25, SC25 and UC25 models
	F150340	Vacuum Breaker Hose	HC50, SC50 and UC50 models
23	N/A	Hose Clamp	No. 48
24	F603031	Vacuum Breaker Assembly	Includes item 25
25	F430177	Screw	
26	F430231	Nut	

Automatic Supply Dispenser

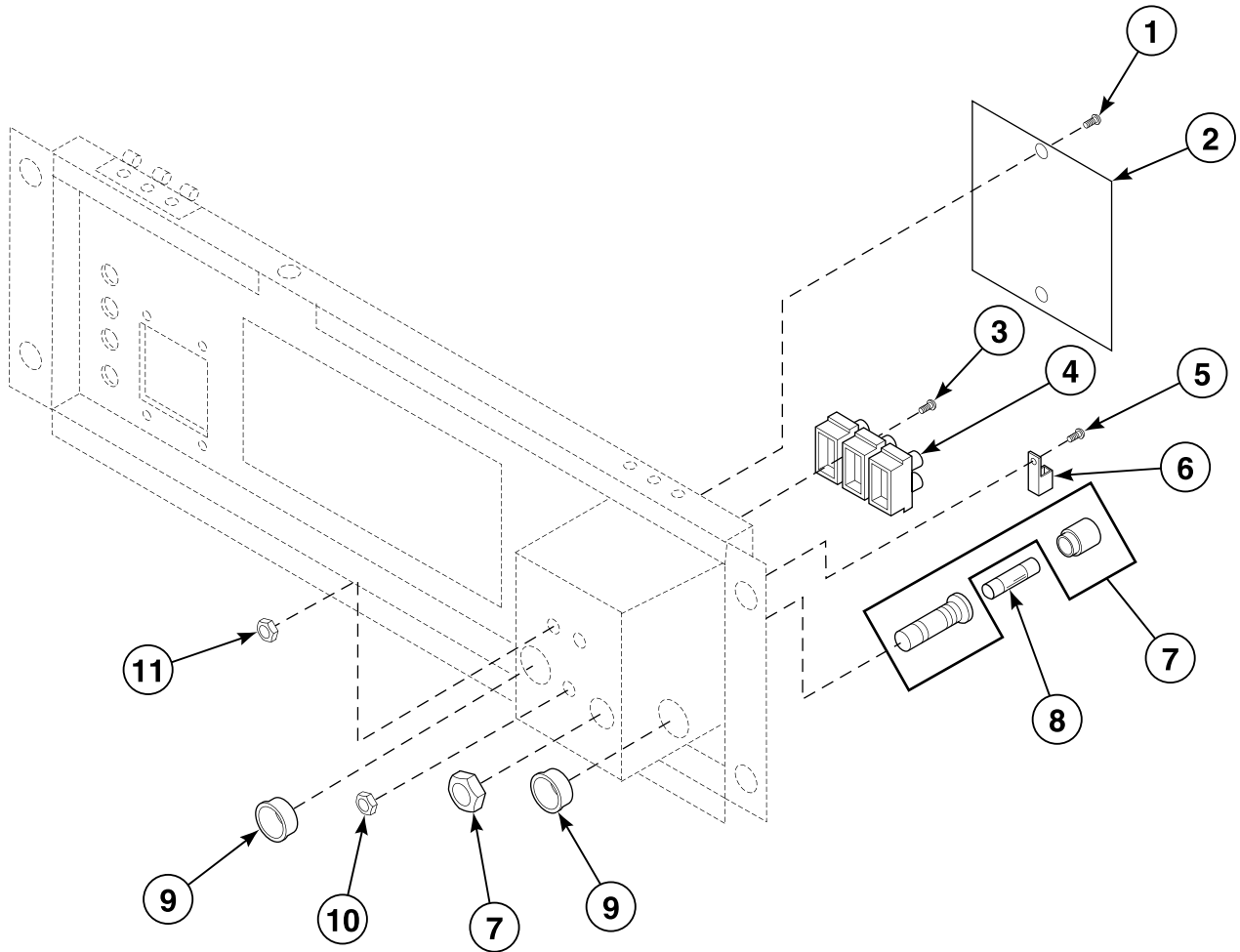


B106P_F232173

Automatic Supply Dispenser

REF	PART NO.	DESCRIPTION	COMMENTS
1	F380300	Injection Nozzle	
2	F430916	Screw	
3	F140738	Terminal Strip	
4	F230764	External Supply Decal	
5	F431113	Washer	
6	F431022	Nut	
7	F140766	Terminal	
8	F431701	Screw	
9	F140748	Input Power Block	2 terminal
	F140747	Input Power Block	3 terminal
	F140746	Input Power Block	4 terminal
10	F140734	Ground Terminal Lug	
11	F431911	Spacer	
12	F430917	Screw	
13	F350115	Fuse	
14	F0350312-10	Fuse Holder	
15	F606516	Supply Hose Bracket	
16	F430174	Screw	
17	F430224	Nut	
18	F200206	Hose Clamp	No. 4
19	F200168P	Tubing	
20	F170208	O-Ring	
21	F730168	Injection Nozzle Kit	Includes items 1, 17 and 20

Power Panel Assembly

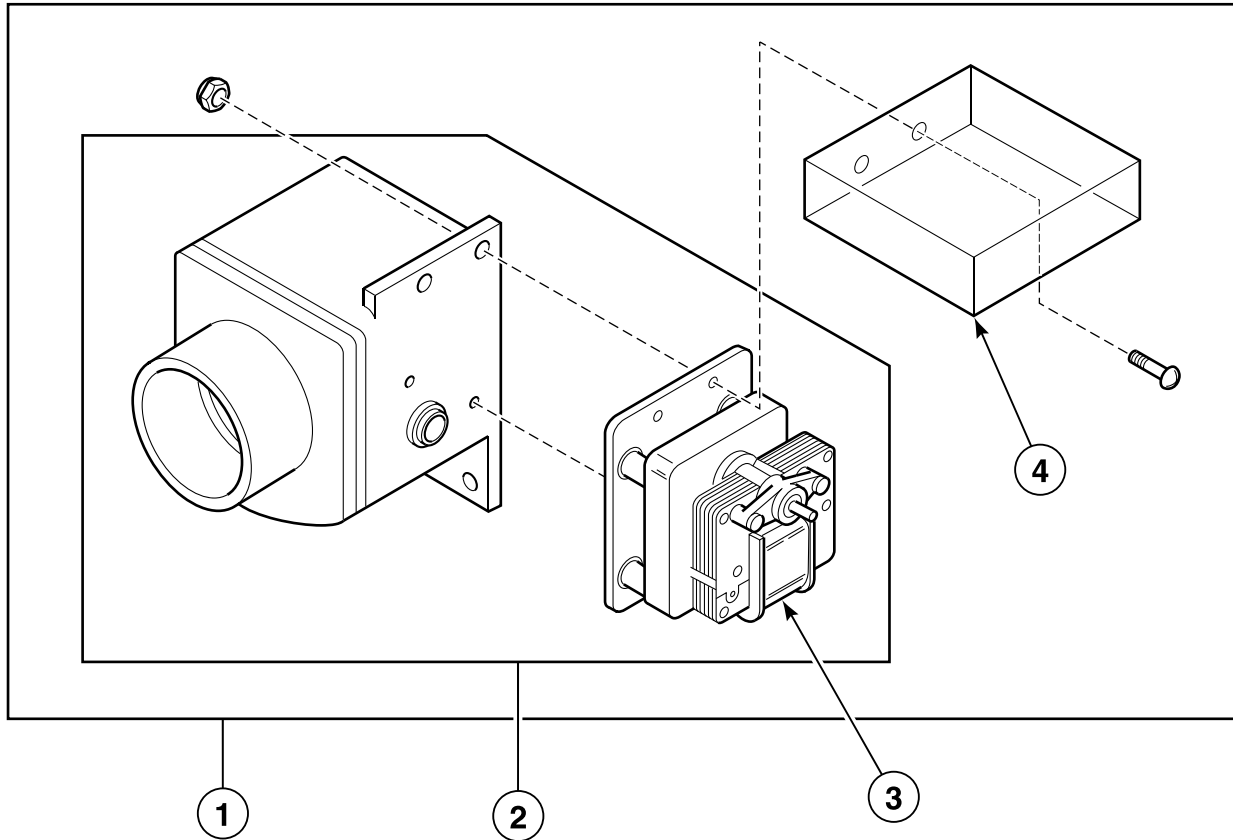


B060PE3B_F232173

Power Panel Assembly

REF	PART NO.	DESCRIPTION	COMMENTS
1	F430174	Screw	
2	F602533	Input Power Connection Box Cover	
3	F430938	Screw	
4	F140747	Input Power Block	3 terminal
	F140746	Input Power Block	4 terminal
5	F430903	Screw	
6	F140734	Ground Terminal Lug	
7	F350304P	Fuse Holder	
8	F350104	Fuse	
9	F140909	Insulator Bushing	
10	F430232	Nut	
11	F430231	Nut	

Drain Valve Assembly - All Models Except HC50, SC50 and UC50 Models

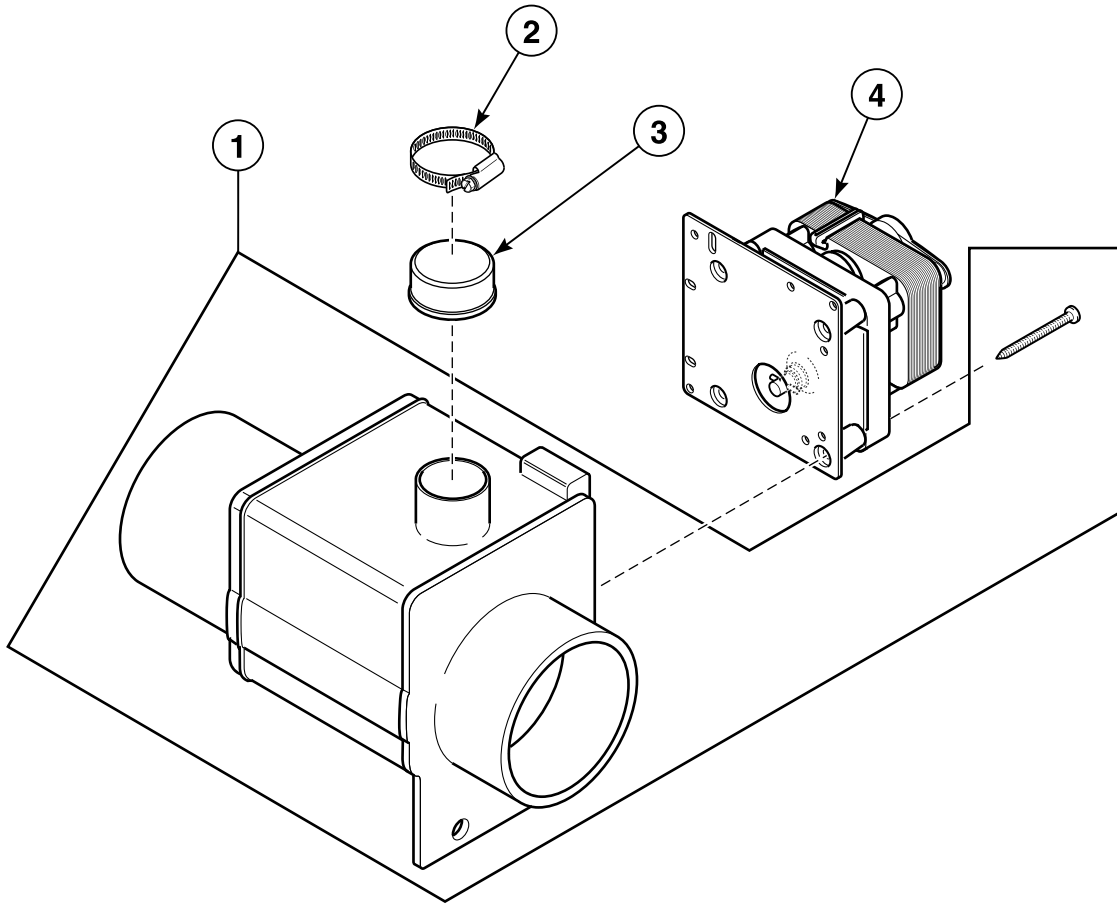


CHM1633P_F232173

Drain Valve Assembly - All Models Except HC50, SC50 and UC50 Models

REF	PART NO.	DESCRIPTION	COMMENTS
1	F602920	Drain Valve Assembly	120 Volt; Includes all items on the page, including the screw and nut
	F603175	Drain Valve Assembly	220 Volt; Includes all items on the page, including the screw and nut
2	F380618	Drain Valve	120 Volt; Includes item 3
	F380619	Drain Valve	220 Volt; Includes item 3
3	F380932P	Drain Valve Motor	Round shaft; 120 Volt
	F380933P	Drain Valve Motor	Round shaft; 220 Volt
	F380943P	Drain Motor	Keyed shaft; 120 Volt
	G159764P	Drain Valve Motor and Gear Box Assembly	Keyed shaft; 220 Volt
	F380972P	Drain Valve Motor	Keyed shaft; 240 Volt
4	F200133600	Drain Valve Cover	

Drain Valve Assembly - HC50, SC50 and UC50 Models

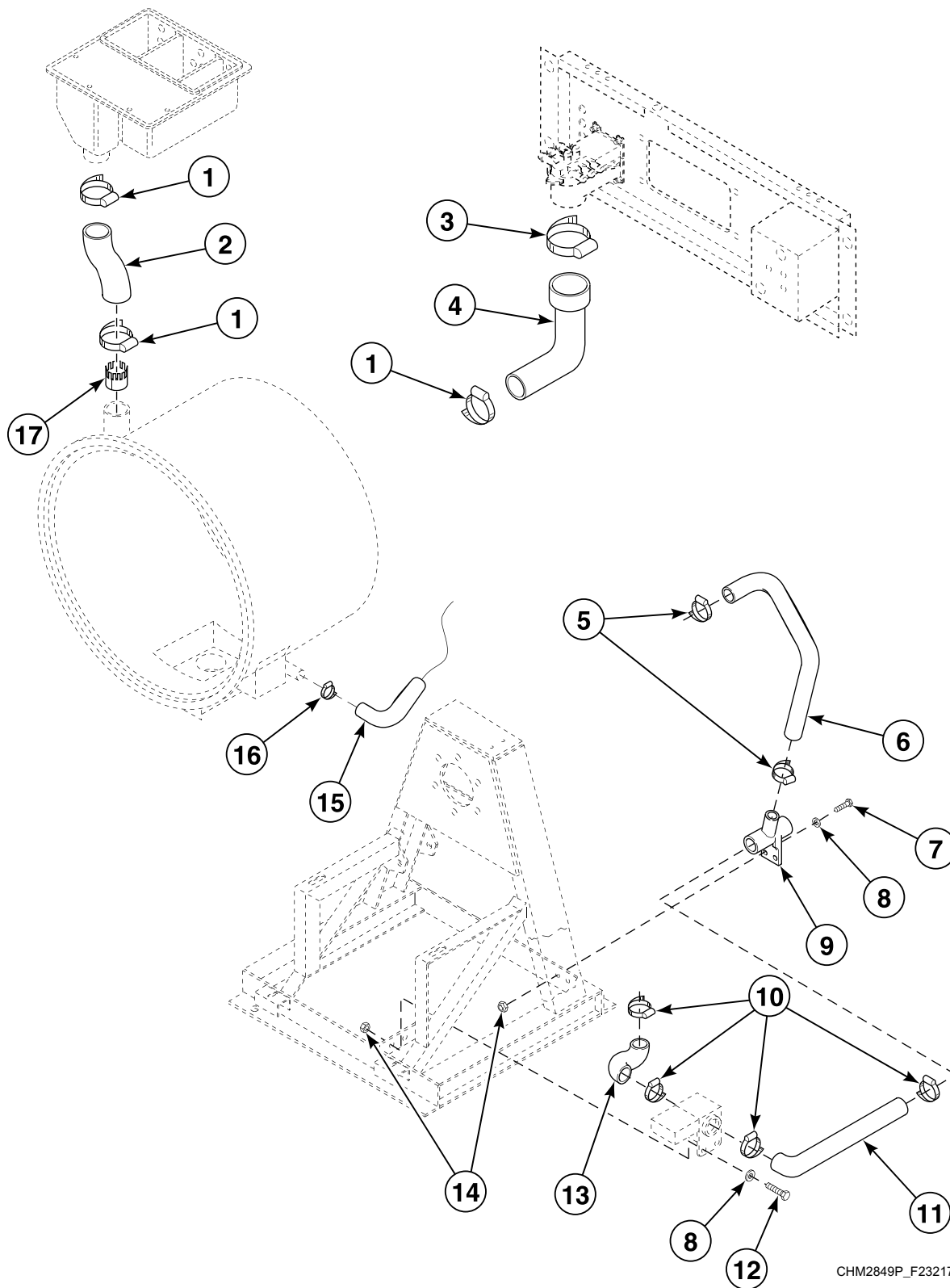


CHM2104P_F232173

Drain Valve Assembly - HC50, SC50 and UC50 Models

REF	PART NO.	DESCRIPTION	COMMENTS
1	F038062800	Drain Valve	120 Volt; Includes screw
	F038062900	Drain Valve	220 Volt; Includes screw
2	F200215	Hose Clamp	No. 28
3	F150352	Overflow Plug	
4	F380932P	Drain Valve Motor	Round shaft; 120 Volt
	F380933P	Drain Valve Motor	Round shaft; 220 Volt
	F380943P	Drain Motor	Keyed shaft; 120 Volt
	G159764P	Drain Valve Motor and Gear Box Assembly	Keyed shaft; 220 Volt
	F380972P	Drain Valve Motor	Keyed shaft; 240 Volt

Drain Assembly, Hoses and Air Trap - All Models Except HC27, SC27 and UC27 Models

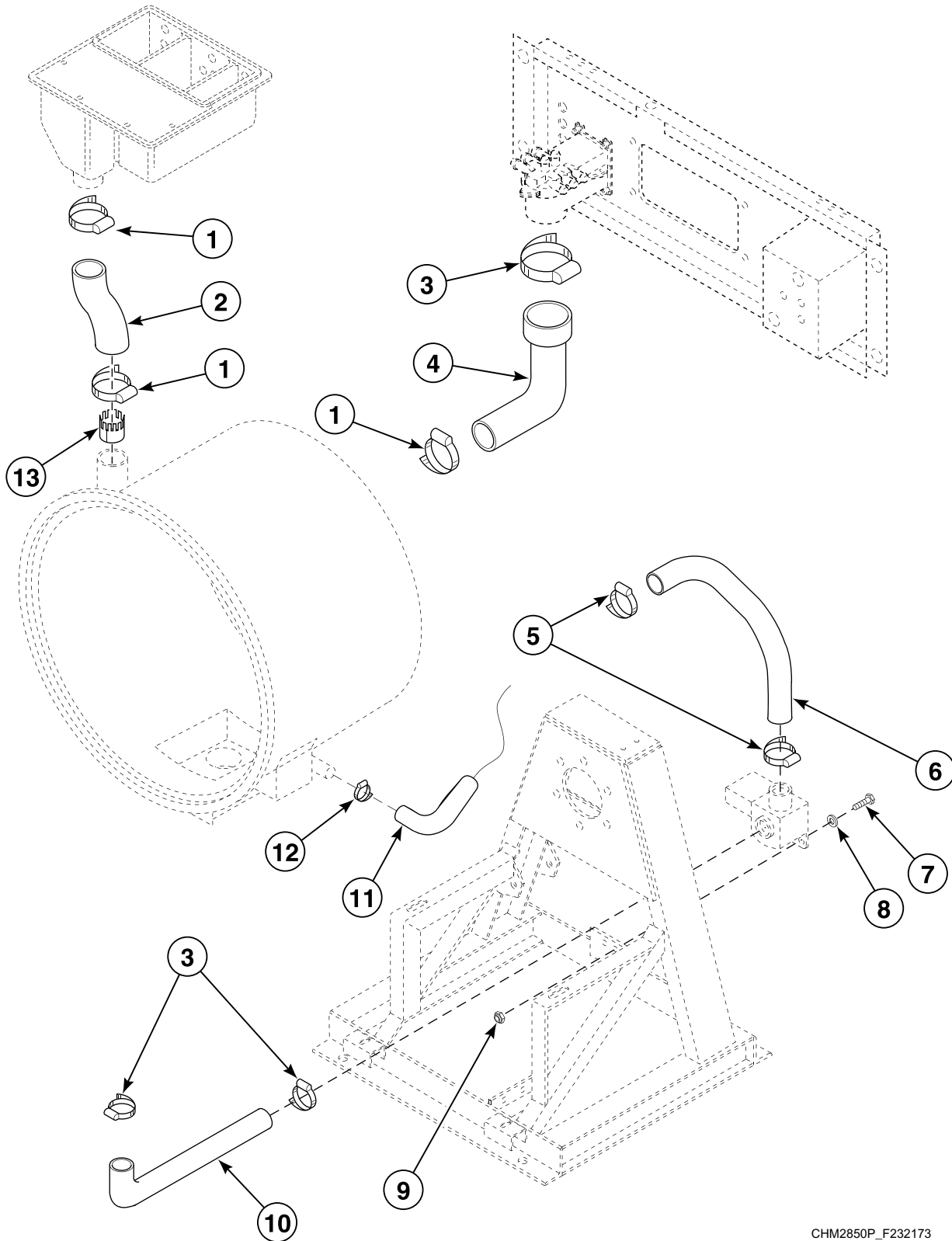


CHM2849P_F232173

Drain Assembly, Hoses and Air Trap - All Models Except HC27, SC27 and UC27 Models

REF	PART NO.	DESCRIPTION	COMMENTS
1	F200213	Hose Clamp	No. 40
2	F150309	Soap Dispenser Hose	
3	N/A	Hose Clamp	No. 48
4	F150321	Vacuum Breaker Hose	HC18, HC35, SC18, SC35, UC18 and UC35 models
	F150372	Fill Hose	HC25, SC25 and UC25 models
	F150340	Vacuum Breaker Hose	HC50, SC50 and UC50 models
5	F200215	Hose Clamp	No. 28
6	F200125800	Overflow Hose	HC18, HC25, SC18, SC25, UC18 and UC25 models
	F150332	Overflow Hose	HC35, HC50, SC35, SC50, UC35 and UC50 models
7	F430103	Screw	
8	F430317	Washer	
9	F8017101	Drain Connector Tee	HC18, HC25, HC35, SC18, SC25, SC35, UC18, UC25 and UC35 models
	F150398	Drain Tee	HC50, SC50 and UC50 models
10	F200213	Hose Clamp	HC18, HC25, HC35, SC18, SC25, SC35, UC18, UC25 and UC35 models
	N/A	Hose Clamp	HC50, SC50 and UC50 models
11	F150311	Rear Drain Hose	HC18, SC18 and UC18 models
	F0150331-00	Drain Hose	Rear; HC25, HC35, SC25, SC35, UC25 and UC35 models
	F200123500	Drain Hose	HC50, SC50 and UC50 models
12	F430103	Screw	
13	F150312	Front Drain Hose	HC18, HC25, HC35, SC18, SC25, SC35, UC18, UC25 and UC35 models
	F200123900	Front Drain Hose	HC50, SC50 and UC50 models
14	F430215	Nut	
15	F200142	Air Trap Hose	
16	F200205	Hose Clamp	No. 10
17	F150419	Supply Dispenser Baffle	

Drain Valve Assembly, Hoses and Air Trap - HC50, SC50 and UC50 Models with Heat Shell

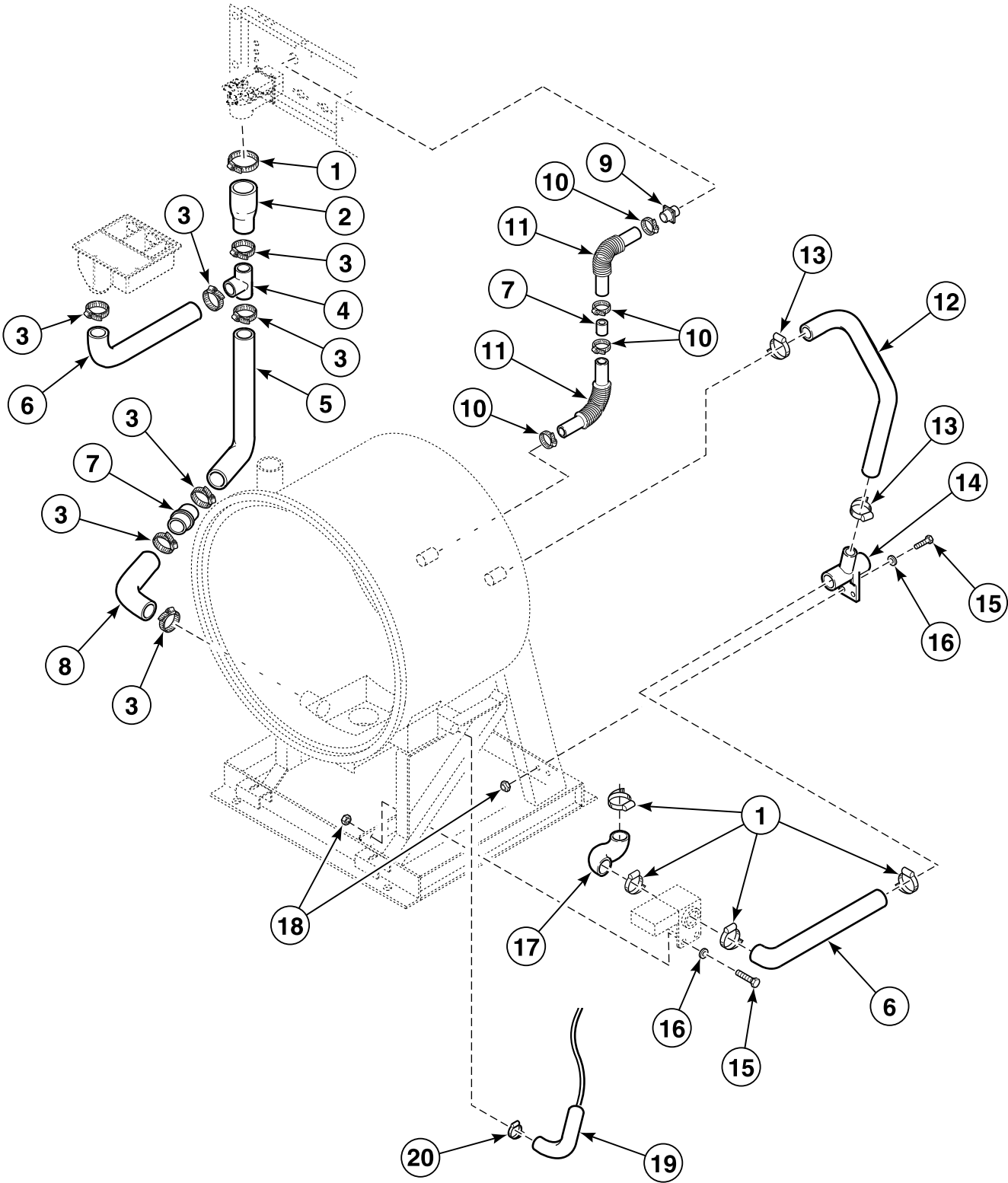


CHM2850P_F232173

Drain Valve Assembly, Hoses and Air Trap - HC50, SC50 and UC50 Models with Heat Shell

REF	PART NO.	DESCRIPTION	COMMENTS
1	F200213	Hose Clamp	No. 40
2	F150309	Soap Dispenser Hose	
3	N/A	Hose Clamp	No. 48
4	F150340	Vacuum Breaker Hose	
5	F200215	Hose Clamp	No. 28
6	F150332	Overflow Hose	
7	F430103	Screw	
8	F430317	Washer	
9	F430215	Nut	
10	F150356	Drain Hose	
11	F200142	Air Trap Hose	
12	F200205	Hose Clamp	No. 10
13	F150419	Supply Dispenser Baffle	

Drain Valve Assembly, Hoses and Air Trap - HC27, SC27 and UC27 Models



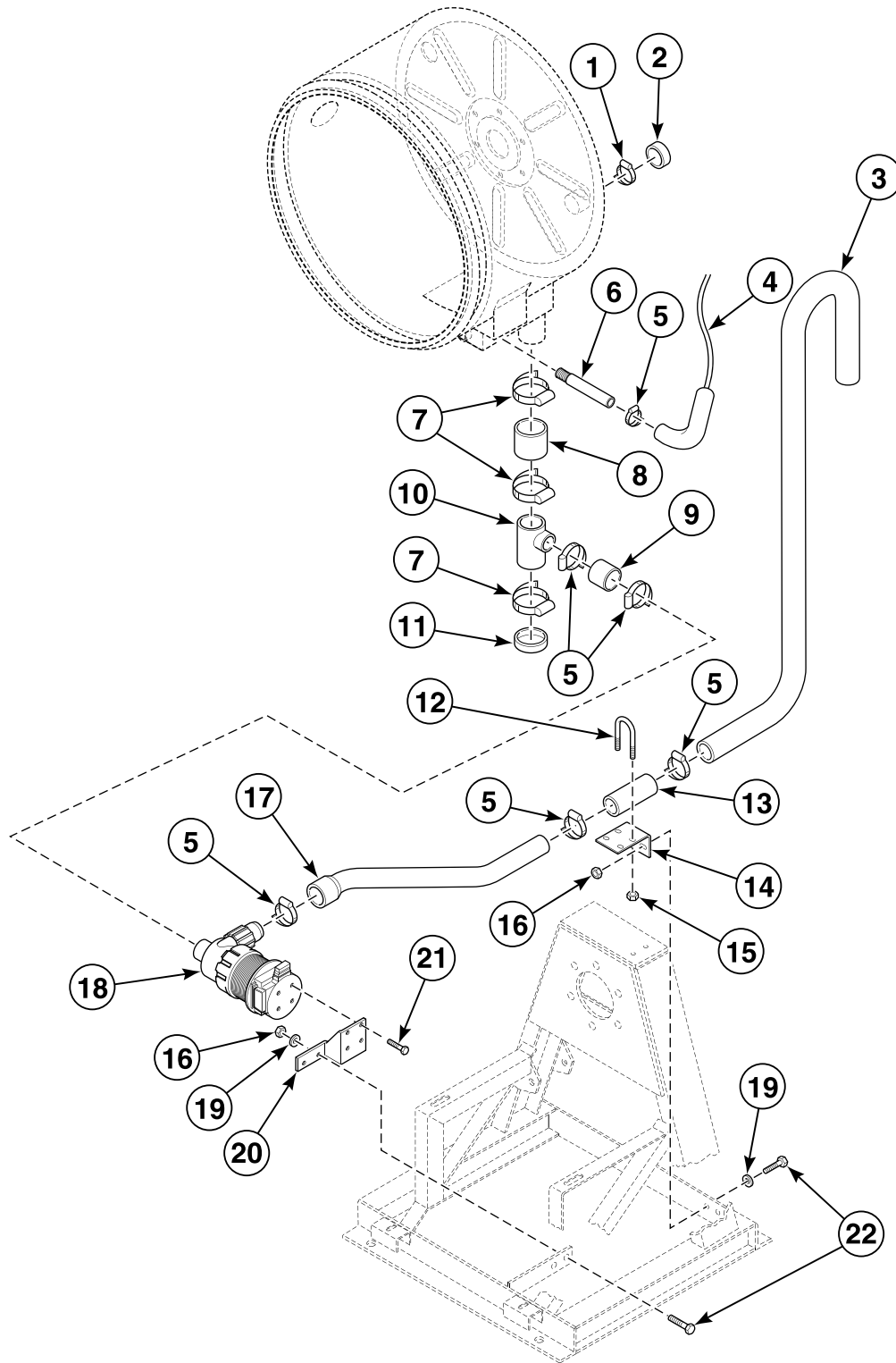
CHM2003P_F232173

Drain Valve Assembly, Hoses and Air Trap - HC27, SC27 and UC27 Models

REF	PART NO.	DESCRIPTION	COMMENTS
1	N/A	Hose Clamp	No. 48
2	F150321	Vacuum Breaker Hose	
3	F200213	Hose Clamp	No. 40
4	F422817	Tee	
5	F150308	Overflow Hose	
6	F0150331-00	Drain Hose	Rear
7	F608237	Pipe	
8	F150414	Bottom Fill Hose	
9	F422517	Vent Nipple	
10	F200204	Hose Clamp	No. 20
11	F200170	Vent Hose	
12	F150332	Overflow Hose	
13	F200215	Hose Clamp	No. 28
14	F8017101	Drain Connector Tee	
15	F430103	Screw	
16	F430317	Washer	
17	F150312	Front Drain Hose	
18	F430215	Nut	
19	F200142	Air Trap Hose	
20	F200205	Hose Clamp	No. 10

N/A = Part no longer available

Pump Drain Option - HC27, SC27 and UC27 E-Voltage Models



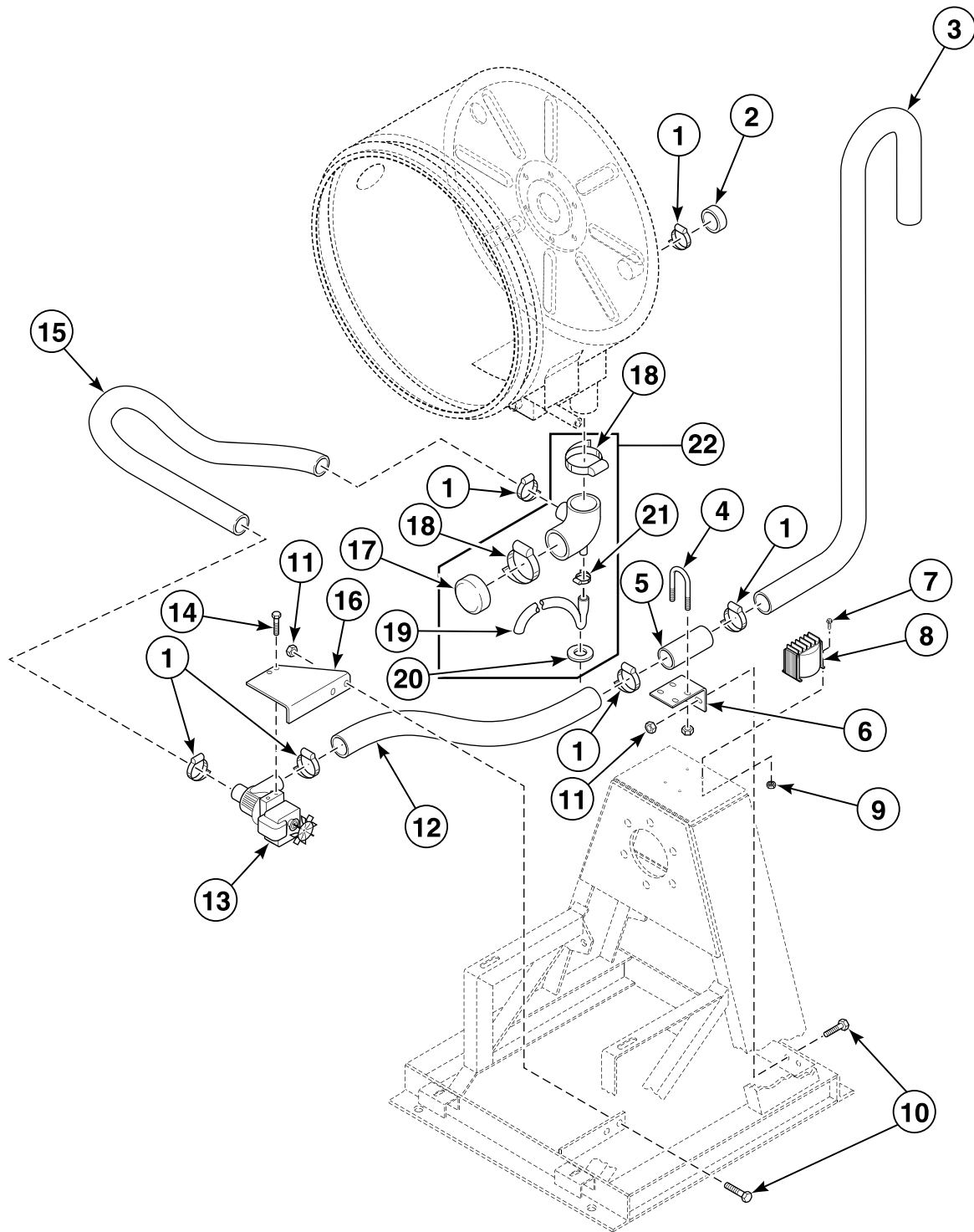
CHM2303P_F232173

Pump Drain Option - HC27, SC27 and UC27 E-Voltage Models

REF	PART NO.	DESCRIPTION	COMMENTS
1	F200215	Hose Clamp	No. 28
2	F150352	Overflow Plug	
3	F150343	Rear Pump Drain Hose	
4	F200142	Air Trap Hose	
5	F200204	Hose Clamp	No. 20
6	F634178	Air Chamber Nipple	
7	F200213	Hose Clamp	No. 40
8	F150311	Rear Drain Hose	
9	F634177	Pump Inlet Hose	
10	F633819	Pump Drain Trap Weldment	
11	F150443	Plug	
12	F200401P	U-Bolt Clamp	
13	N/A	Pipe	
14	F604147	Pump Drain Rear Connecting Bracket	
15	F430232	Nut	
16	F430215	Nut	
17	F150482	Pump Drain Outlet Hose	
18	F634463P	Pump	
19	F430317	Washer	
20	F634114	Pump Mounting Bracket	
21	F430179	Screw	
22	F430107	Screw	

N/A = Part no longer available

Pump Drain Option - All Models Except HC27, SC27 and UC27 E-Voltage Models

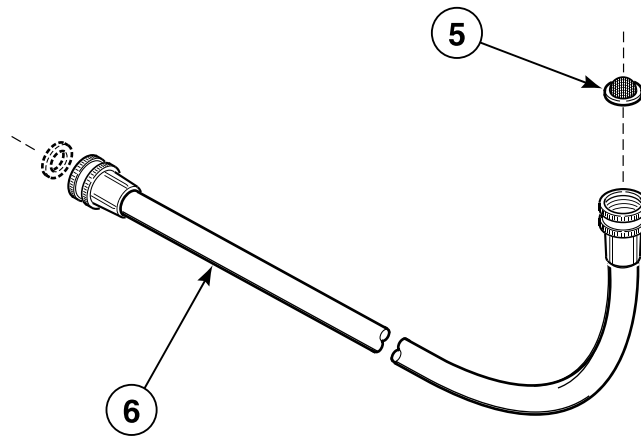
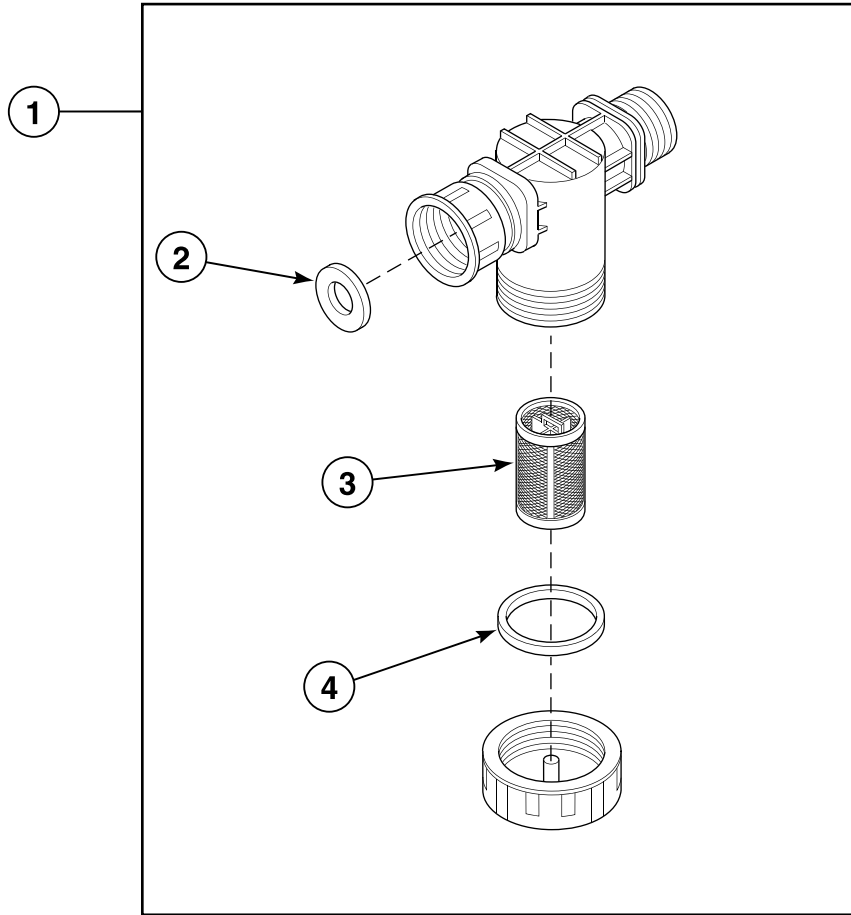


CHM2346P_F232173

Pump Drain Option - All Models Except HC27, SC27 and UC27 E-Voltage Models

REF	PART NO.	DESCRIPTION	COMMENTS
1	F200204	Hose Clamp	No. 20
2	F150352	Overflow Plug	
3	F150343	Rear Pump Drain Hose	
4	F200401P	U-Bolt Clamp	Includes nuts
5	F603827-1	Pipe	
6	F604147	Pump Drain Rear Connecting Bracket	
7	F430910	Screw	
8	F360124P	Transformer	
9	F430231	Nut	
10	F430107	Screw	
11	F430215	Nut	
12	F200115	Hose	
13	F270119P	Drain Pump	B-voltage models
	F270104P	Pump	C, D, E and J-voltage models
14	F430519	Screw	
15	F200195	Hose	
16	F609694	Pump Drain Trap Mounting Bracket	
17	F150443	Plug	
18	F200213	Hose Clamp	No. 40
19	F606192-5	Tubing	
20	F430310	Washer	
21	F200217	Hose Clamp	
22	F630326P	Pump Drain Trap Assembly	Includes items 17-21

Filter (Optional)



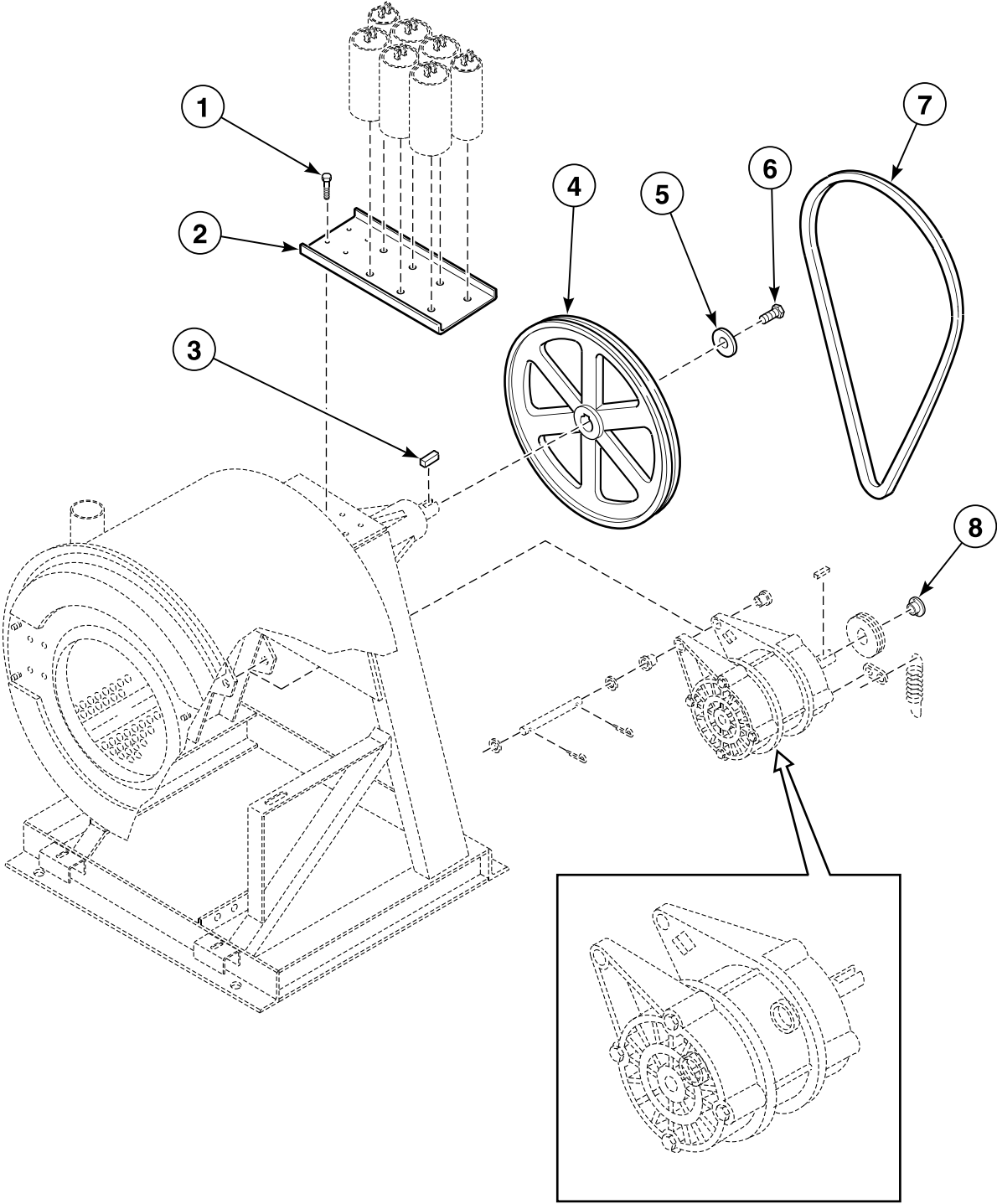
B091P_F232173

Filter (Optional)

REF	PART NO.	DESCRIPTION	COMMENTS
1	F270306P	Filter	Hose thread
	F270305	Filter	Metric thread
2	20290	Washer	
3	F270406	Replacement Filter	.11 mm
	F270405	Replacement Filter	.25 mm
4	F270407	Filter Housing Cap Gasket	
5	F270300	Filter Screen	
6	F200116	Water Hose	3/8 inch; Hose thread
	F200164	Water Hose	3/4 inch; Hose thread
	F200165	Water Hose	3/8 inch; Metric thread
	F200166	Water Hose	3/4 inch; Metric thread

Motor, Pulley and Belt Assembly (Drawing 1 of 5)

HC18, HC25, HC27, SC18, SC25, SC27, UC18, UC25 and UC27 Models



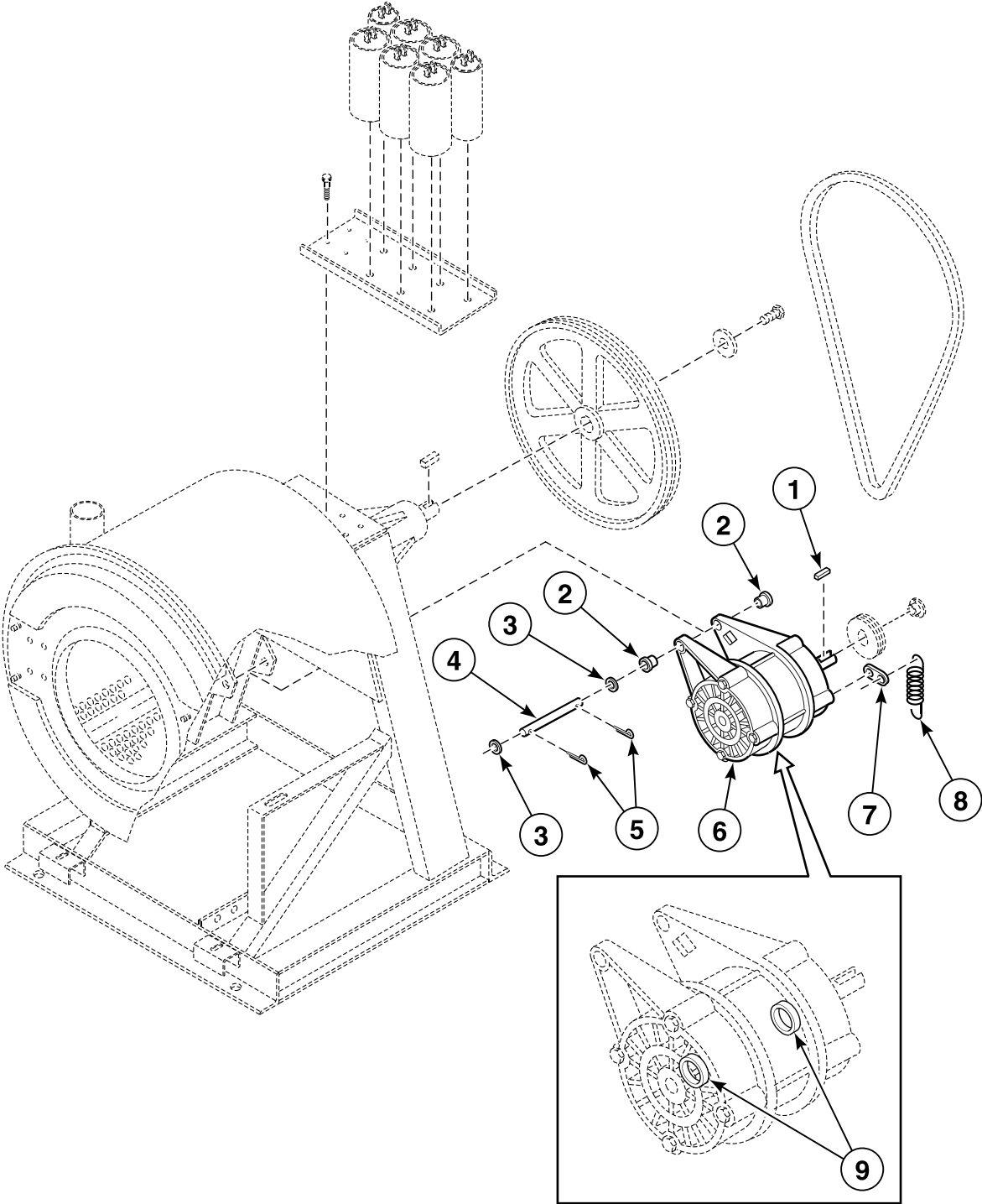
CHM2177P_F232173

Motor, Pulley and Belt Assembly (Drawing 1 of 5)

REF	PART NO.	DESCRIPTION	COMMENTS
1	F430108	Screw	
2	F602732	Capacitor Bracket	HC18, SC18 and UC18 models
	F200033500	Capacitor Mounting Bracket	HC25, HC27, SC25, SC27, UC25 and UC27 models
3	F430801	Key	
4	F280168	Pulley	HC18, HC25, SC18, SC25, UC18 and UC25 models
	F280172	Sheave Pulley	HC27, SC27 and UC27 models
5	F0431159-00	Washer	
6	F430927	Screw	
7	F280343	Belt	HC18, SC18 and UC18 C, D, G and J-voltage models; 3V-730
	F0280380-00	Belt	HC18, SC18 and UC18 E-voltage models; 3V-720; Replaces F280343 Belt
	F280337	Belt	HC18, SC18 and UC18 A, B, F, H, O and Y-voltage models; 3V-710
	F280343	Belt	HC18, SC18 and UC18 F and H-voltage models; 3V-730; Replaces F280337 Belt
	F280337	Belt	HC25, SC25 and UC25 A, C, D, F, G, H, J, K, O and Y-voltage models; 3V-710
	F0280380-00	Belt	HC25, SC25 and UC25 E-voltage models; 3V-720; Replaces F280337 Belt
	F280321	Belt	HC27, SC27 and UC27 models; 3V-800
8	F280430	Bushing	HC18, SC18 and UC18 C, D, G and J-voltage models
	F280430	Bushing	HC18, SC18 and UC18 E-voltage models through 5/24/02
	F280298P	Pulley Bushing	HC18, SC18 and UC18 E-voltage models starting 5/24/02
	F280298P	Pulley Bushing	HC18, SC18 and UC18 A, B, F, H and O-voltage models; F and H-voltage models with heat
	F280430	Bushing	HC25, SC25 and UC25 C, D, G and J-voltage models
	F280298P	Pulley Bushing	HC25, SC25 and UC25 E-voltage models; Replaces F280214 Motor Bushing
	F280298P	Pulley Bushing	HC25, SC25 and UC25 L and Y-voltage models; Replaces F220209 Bushing
	F280430	Bushing	HC27, SC27 and UC27 C, D and G-voltage models
	F280430	Bushing	HC27, SC27 and UC27 J-voltage models; Replaces F220222 Motor
	F280225P	Bushing	HC27, SC27 and UC27 E-voltage models; Replaces F220214 Motor

Motor, Pulley and Belt Assembly (Drawing 2 of 5)

HC18, HC25, HC27, SC18, SC25, SC27, UC18, UC25 and UC27 Models



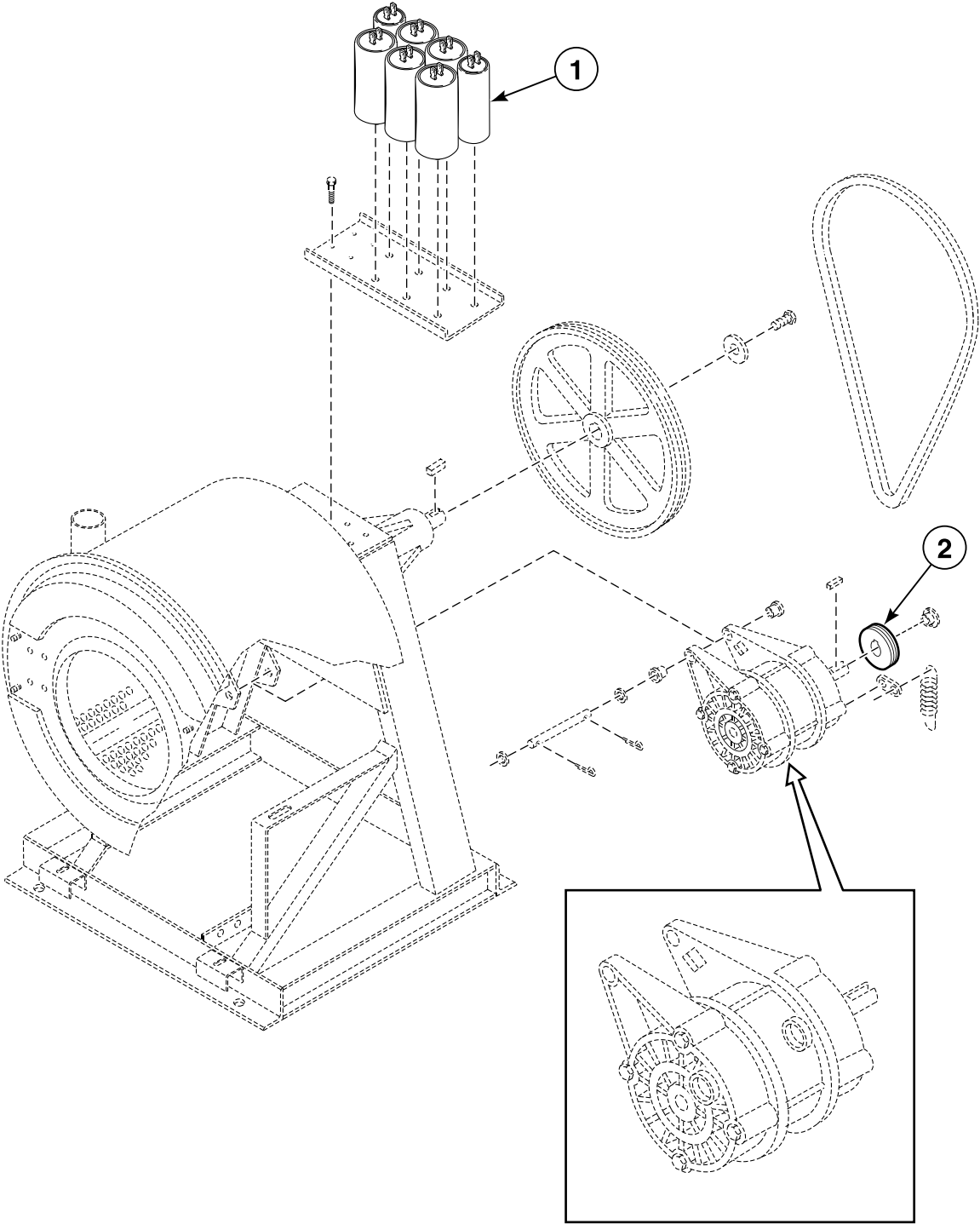
CHM2178P_F232173

Motor, Pulley and Belt Assembly (Drawing 2 of 5)

REF	PART NO.	DESCRIPTION	COMMENTS
1	F430802	Key	
2	F200186100	Motor Support Bushing	
3	F430325	Washer	
4	F602844	Motor Support Rod	
5	F430401	Cotter Pin	
6	F022039600P	Motor	HC18, SC18 and UC18 J-voltage models; Replaces F220350 and F220352 Motor; Order F280427 Pulley and F280430 Bushing when replacing either F220350 or F220352 Motor; Includes item 2
	F220352	Motor	HC18, SC18 and UC18 D-voltage models
	F022032500P	Motor	HC18, SC18 and UC18 C, F, G and H-voltage models with or without heat; Includes item 2
	F220125P	Motor	HC18, SC18 and UC18 E-voltage models; Replaces F220117 and F220130 Motor; Order F280427 Pulley and F280298P Pulley Bushing when replacing either F220117 or F220130 Motor; Includes item 2
	F022039600P	Motor	HC18, SC18 and UC18 A and O-voltage models; Replaces F220320 Motor; Order F280170 Pulley when replacing F220320 Motor; Includes item 2
	F220110P	Motor	HC18, SC18 and UC18 B-voltage models; Includes item 2
	F022012800P	Motor	HC18, SC18 and UC18 Y-voltage models; Includes item 2
	F022038800P	Motor	HC25, SC25 and UC25 C, F, G and H-voltage models; Includes item 2
	F220389	Motor	HC25, SC25 and UC25 D, J and U-voltage models
	F220125P	Motor	HC25, SC25 and UC25 E-voltage models; Includes item 2
	F022012400P	Motor	HC25, SC25 and UC25 L and Y-voltage models; Includes item 2
	F022038800P	Motor	HC25, SC25 and UC25 C, F, and H-voltage models; Includes item 2
	F022038700P	Motor	HC25, HC27, SC25, SC27, UC25 and UC27 A, K and O-voltage models; Includes item 2
	F220389	Motor	HC27, SC27 and UC27 D, J and U-voltage models
	F220125P	Motor	HC27, SC27 and UC27 E-voltage models; Includes item 2
	F022012400P	Motor	HC27, SC27 and UC27 L and Y-voltage models; Includes item 2
7	F601515	Clip	Elmo only
8	F310124	Extension Spring	
9	M400592	Ball Bearing	

Motor, Pulley and Belt Assembly (Drawing 3 of 5)

HC18, HC25, HC27, SC18, SC25, SC27, UC18, UC25 and UC27 Models



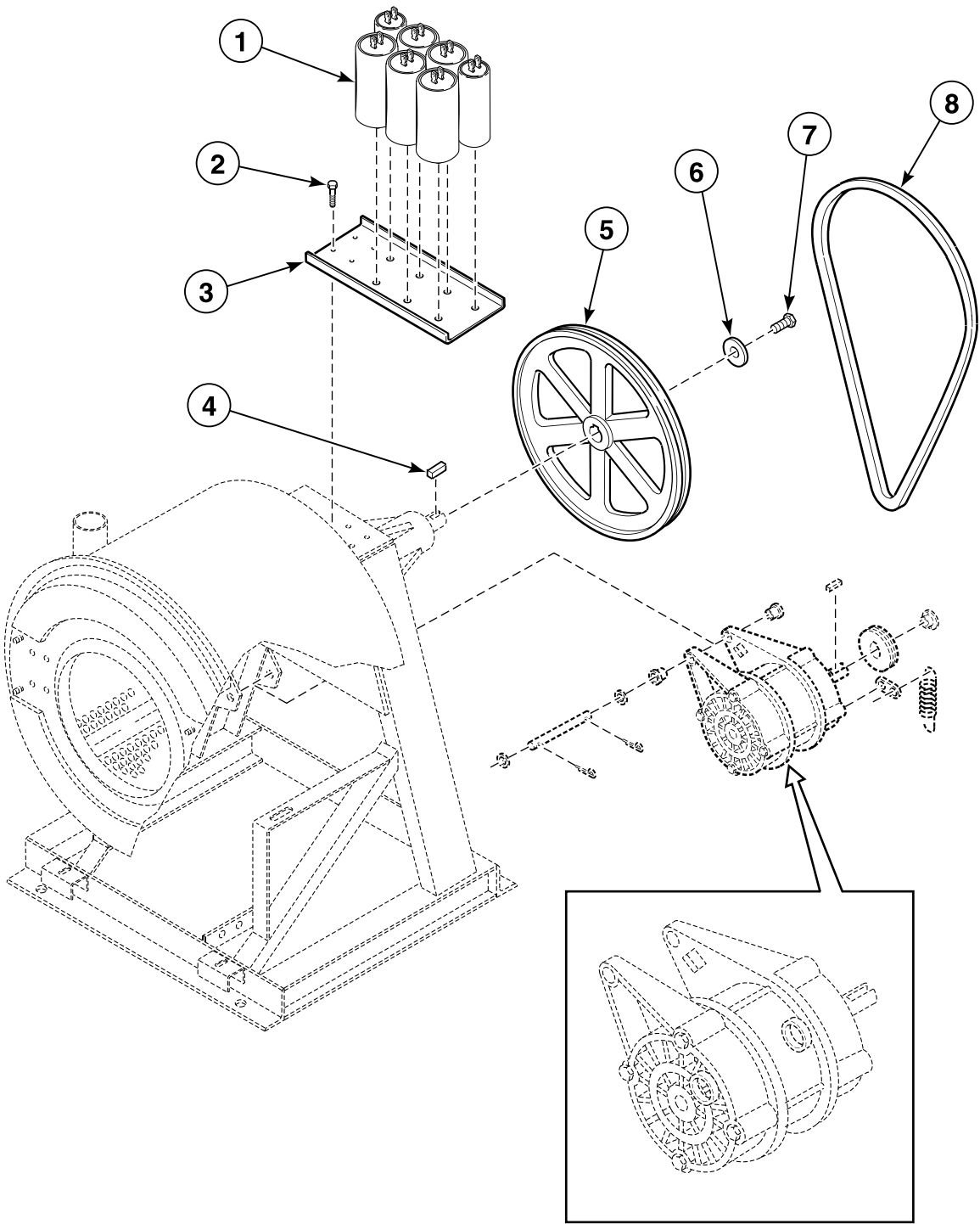
CHM2181P_F232173

Motor, Pulley and Belt Assembly (Drawing 3 of 5)

REF	PART NO.	DESCRIPTION	COMMENTS
1	F370230	Capacitor	10 Microfarad; HC18, SC18 and UC18 E-voltage models with Century motors - 1 used; HC25, HC27, SC25, SC27, UC25 and UC27 E-voltage models with Elmo motors - 2 used
	F370224P	Capacitor	20 Microfarad; HC25, HC27, SC25, SC27, UC25 and UC27 Y-voltage models with Elmo motors - 4 used; HC25, HC27, SC25, SC27, UC25 and UC27 E-voltage models with Elmo motors - 3 used
	F370223	Capacitor	25 Microfarad; HC18, SC18 and UC18 Y-voltage models with Elmo motors - 1 used; HC18, SC18 and UC18 E-voltage models with Century motors - 1 used
	F370222	Capacitor	50 Microfarad; HC18, SC18 and UC18 Y-voltage models with Elmo motors - 1 used; HC18, SC18 and UC18 E-voltage models with Century motors - 2 used
	F370221	Capacitor	100 Microfarad; HC18, SC18 and UC18 B-voltage models with Elmo motors - 2 used; HC18, SC18 and UC18 B-voltage models with Century motors - 2 used; HC25, HC27, SC25, SC27, UC25 and UC27 E-voltage models with Elmo motors - 2 used
	F370220	Capacitor	130 Microfarad; HC18, SC18 and UC18 B-voltage models with Elmo motors - 1 used; HC18, SC18 and UC18 B-voltage models with Century motors - 1 used; HC25, HC27, SC25, SC27, UC25 and UC27 Y-voltage models with Elmo motors - 1 used
	F370116	Resistor	HC27, SC27 and UC27 models; 12 K
2	F280427	Pulley	HC18, SC18 and UC18 C, D, E, G and J-voltage models; Replaces F280184 Pulley; Replacement of F280184 Pulley requires F280430 Bushing
	F280427	Pulley	HC18, SC18 and UC18 E-voltage models; Replaces F280184 Pulley or F220130 Motor and F280430 Bushing; Replacement of F280184 and F280130 Pulley requires F280298P Pulley Bushing
	F280170	Pulley	HC18, SC18 and UC18 A, B, F, H, O and Y-voltage models
	F280170	Pulley	HC18, SC18 and UC18 F and H-voltage models with heat
	F280427	Pulley	HC25, SC25 and UC25 C, D, G and J-voltage models; Replaces F280184 Pulley; Replacement of F280184 Pulley requires F280430 Bushing; F280430 Bushing is used with F280427 Pulley
	F280427	Pulley	HC25, SC25 and UC25 E-voltage models; Replaces F280180 Pulley; Replacement of F280180 Pulley requires F280298P Pulley Bushing; F280298P Pulley Bushing is used with F280427 Pulley
	F280170	Pulley	HC25, SC25 and UC25 A, F, H, K and O-voltage models
	F280416	Pulley	HC25, SC25 and UC25 L and Y-voltage models; Replaces F280139 Pulley and F280298P Pulley Bushing; F280298P Pulley Bushing is used with F280416 Pulley
	F280418	Pulley	HC27, SC27 and UC27 C, D and G-voltage models; Replaces F280283 Pulley; Replaces F280239 Pulley and F220222 Motor; Replacement of F280283 or F280239 Pulley and F220222 Motor requires F280430 Bushing; F280430 Bushing is used with F280418 Pulley
	F280423	Pulley	HC27, SC27 and UC27 E-voltage models; Replaces F280279 Pulley and F280214 Motor Bushing; Replacement of F280279 Pulley and F220214 Motor requires F280225P Bushing; F280225P Bushing is used with F280423 Pulley
	F280284	Pulley	HC27, SC27 and UC27 A, F, H, K and O-voltage models
	F280281	Motor Pulley	HC27, SC27 and UC27 L and Y-voltage models; Replaces F280198 Pulley

Motor, Pulley and Belt Assembly (Drawing 4 of 5)

HC35, HC50, SC35, SC50, UC35 and UC50 Models



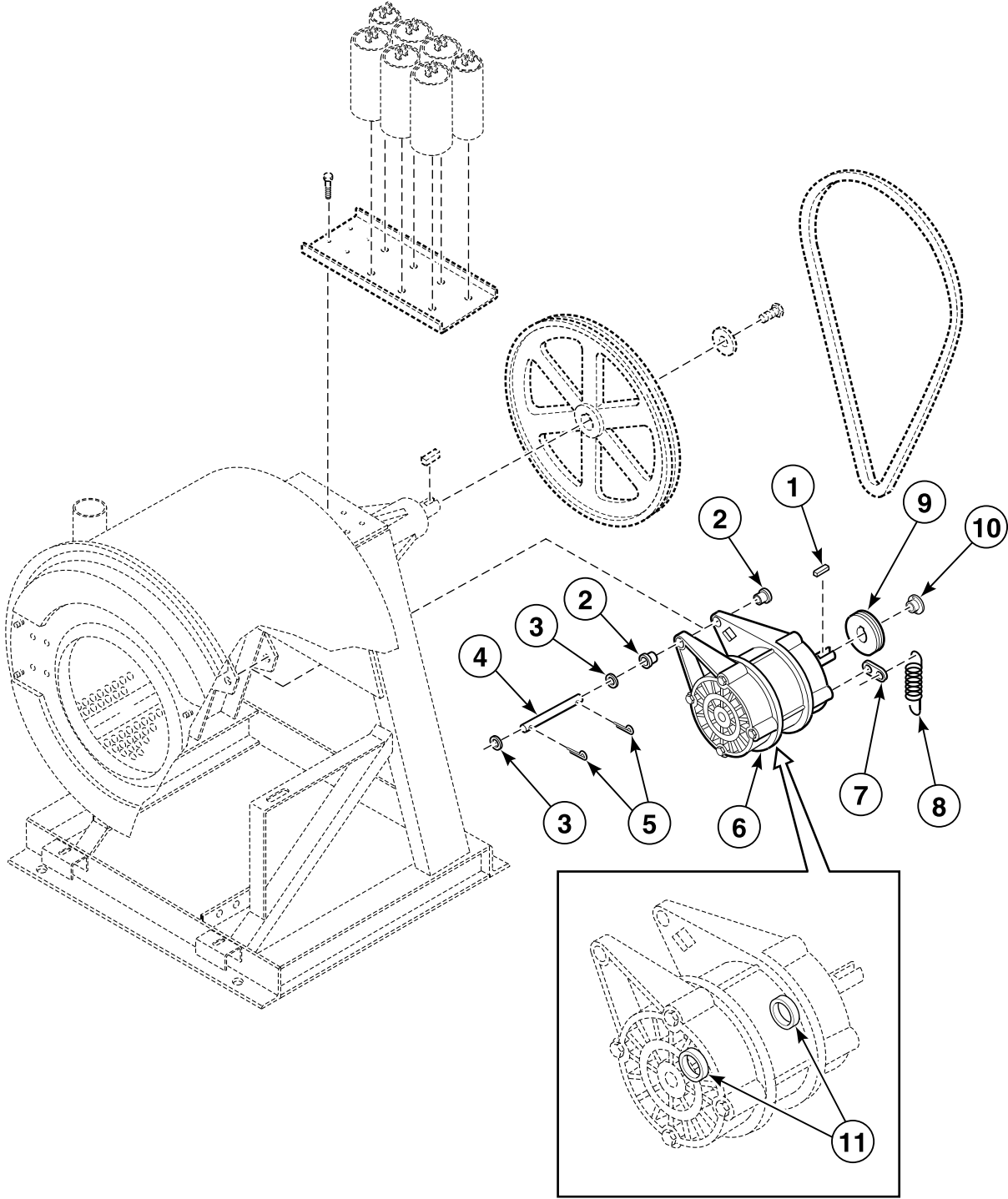
CHM2105P_F232173

Motor, Pulley and Belt Assembly (Drawing 4 of 5)

REF	PART NO.	DESCRIPTION	COMMENTS
	F748001	Pulley Kit	Includes item 4 and F280172 Sheave Pulley
1	F370230	Capacitor	10 Microfarad; HC35, SC35 and UC35 Y-voltage models with Century motors - 1 used
	F370224P	Capacitor	20 Microfarad; HC35, SC35 and UC35 Y-voltage models with Elmo motors - 1 used; HC50, SC50 and UC50 Y-voltage models with Elmo motors 2 used
	F370223	Capacitor	25 Microfarad; HC35, SC35 and UC35 Y-voltage models with Elmo motors - 1 used
	F370222	Capacitor	50 Microfarad; HC35, SC35 and UC35 Y-voltage models with Elmo motors - 1 used; HC35, SC35 and UC35 Y-voltage models with Century motors - 1 used; HC50, SC50 and UC50 Y-voltage models with Elmo motors - 2 used
	F370220	Capacitor	130 Microfarad; HC35, SC35 and UC35 Y-voltage models with Century motors - 1 used; HC50, SC50 and UC50 Y-voltage models with Elmo motors - 3 used
	F370218	Capacitor	160 Microfarad; HC35, SC35 and UC35 Y-voltage models with Elmo motors - 1 used; HC35, SC35 and UC35 Y-voltage models with Century motors - 1 used
2	F430108	Screw	
3	F200033500	Capacitor Mounting Bracket	
4	F430801	Key	
5	F280172	Sheave Pulley	HC35, SC35 and UC35 models
	F280173	Pulley	HC50, SC50 and UC50 models
6	F431115	Washer	
7	F430100	Screw	
8	F280341	Belt	HC35, SC35 and UC35 C, D, G and J-voltage models; 3V-850
	F280342	Belt	HC35, SC35 and UC35 A, F, H, K, L, O and Y-voltage models; 3V-830
	F280373	Belt	HC50, SC50 and UC50 C, D, G and J-voltage models; 3V-90.65; Replaces F280304 Belt in 50 Hz models
	F280304	Belt	HC50, SC50 and UC50 A, F, H, K, L, O and Y-voltage models; 3V-900

Motor, Pulley and Belt Assembly (Drawing 5 of 5)

HC35, HC50, SC35, SC50, UC35 and UC50 Models

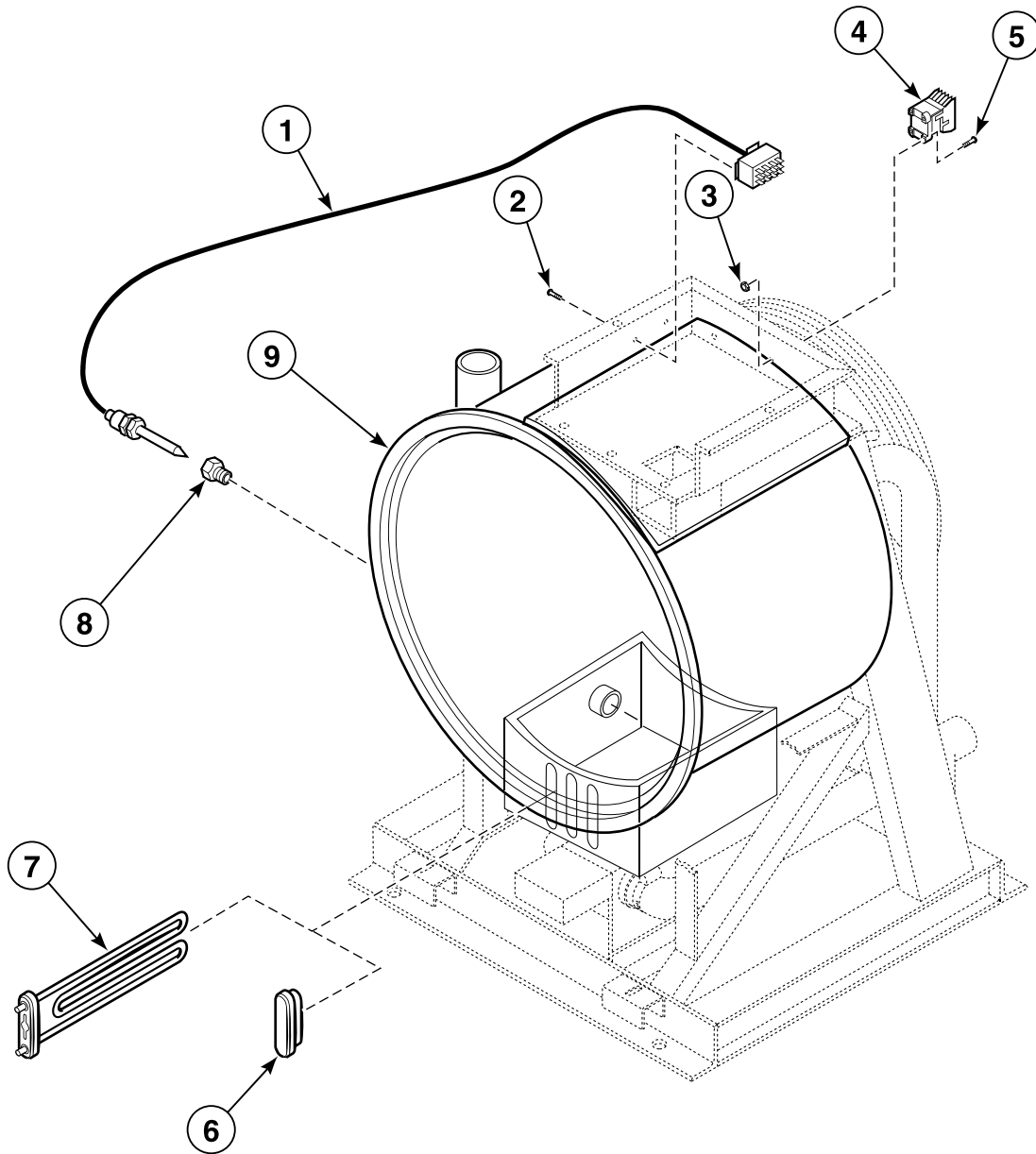


CHM2105PA_F232173

Motor, Pulley and Belt Assembly (Drawing 5 of 5)

REF	PART NO.	DESCRIPTION	COMMENTS
1	F430802	Key	
2	F200186100	Motor Support Bushing	
3	F430325	Washer	
4	F603059	Motor Support Rod	HC35, SC35 and UC35 models
	F603897	Motor Support Rod	HC50, SC50 and UC50 models
5	F430401	Cotter Pin	
6	F022032600P	Motor	HC35, SC35 and UC35 C, F, G and H-voltage models; Includes item 2
	F0220321-00P	Motor	HC35, SC35 and UC35 A, D, J, K and O-voltage models; Replaces F220353 Motor; Order F280418 Pulley and F280298P Pulley Bushing when replacing F220353 Motor; Includes item 2
	F0220111-00P	Motor	HC35, SC35 and UC35 L and Y-voltage models; Includes item 2
	F220354	Motor	HC50, SC50 and UC50 D-voltage models
	F022032200P	Motor	HC50, SC50 and UC50 J-voltage models; Replaces F220354 Motor; Includes item 2
	F220327P	Motor	HC50, SC50 and UC50 C, F, G and H-voltage models; Includes item 2
	F022032200P	Motor	HC50, SC50 and UC50 A and O-voltage models; Includes item 2
	F0220120-01P	Motor	HC50, SC50 and UC50 L and Y-voltage models; Includes item 2
7	F601515	Clip	Elmo only
8	F310124	Extension Spring	
9	F280418	Pulley	HC35, SC35 and UC35 C, D, G and J-voltage models; Replaces F280185 Motor Pulley; F280298P Pulley Bushing is used with F280418 Pulley
	F280281	Motor Pulley	HC35, SC35 and UC35 A, F, H, K, O and Y-voltage models
	F280422P	Pulley	HC50, SC50 and UC50 C, D, G and J-voltage models; Replaces F280186 Pulley; F280225P Bushing is used with F280422 Pulley
	F280177P	Motor Pulley	HC50, SC50 and UC50 A, F, H, K, L, O and Y-voltage models
10	F280298P	Pulley Bushing	HC35, SC35 and UC35 C, D, G and J-voltage models
	F280225P	Bushing	HC50, SC50 and UC50 C, D, G and J-voltage models
11	F100124	Motor Bearing	

Electric Heat Assembly



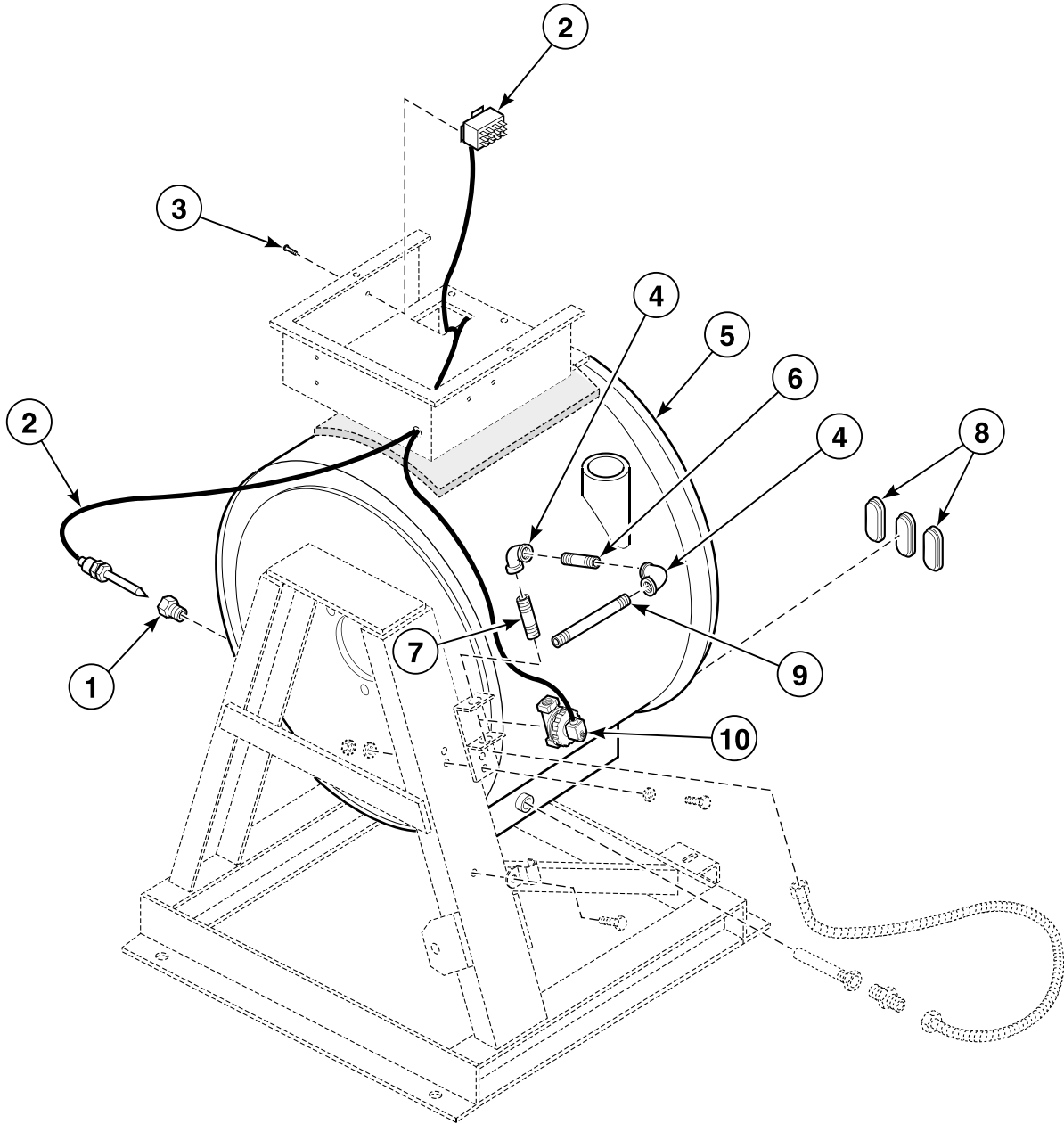
CHM2107P_F232173

Electric Heat Assembly

REF	PART NO.	DESCRIPTION	COMMENTS
1	F290111P	Thermostat	Includes temperature probe
2	F430174	Screw	
3	F430231	Nut	
4	F330175P	Contactora	120 Volt
	F330187P	Contactora	120 Volt
	F330177P	Contactora	HC18, HC25, HC27, SC18, SC25, SC27, UC18, UC25 and UC27 models; NX101A; 220 Volt
	F330179P	Contactora	HC35, SC35 and UC35 models; A-24; 220 Volt
	F330188P	Contactora	220 Volt
5	F430916	Screw	
6	F360202	Heating Element Plug	
7	F360205P	Element	2.6 kW
	F360206P	Heating Element	2.0 kW
8	F421936	Reducer Bushing	
9	N/A	Shell Assembly	HC18, SC18 and UC18 models; Heat option
	F741011	Shell Kit	HC25, SC25 and UC25 models; Heat option; Includes F200142 Air Trap Hose, F200202600 Plug, F200205 Hose Clamp (No. 10), F200213 Hose Clamp (No. 40), F200215 Hose Clamp (No. 28), F200222 Hose Clamp (No. 12), F420408 Plug, F430218 Nut, F430301 Washer, F430303 Washer and F430942 Screw
	F631201	Shell Assembly	HC27, SC27 and UC27 models; Heat option

N/A = Part no longer available

Steam Heat Assembly (Drawing 1 of 2)



CHM2108P_F232173

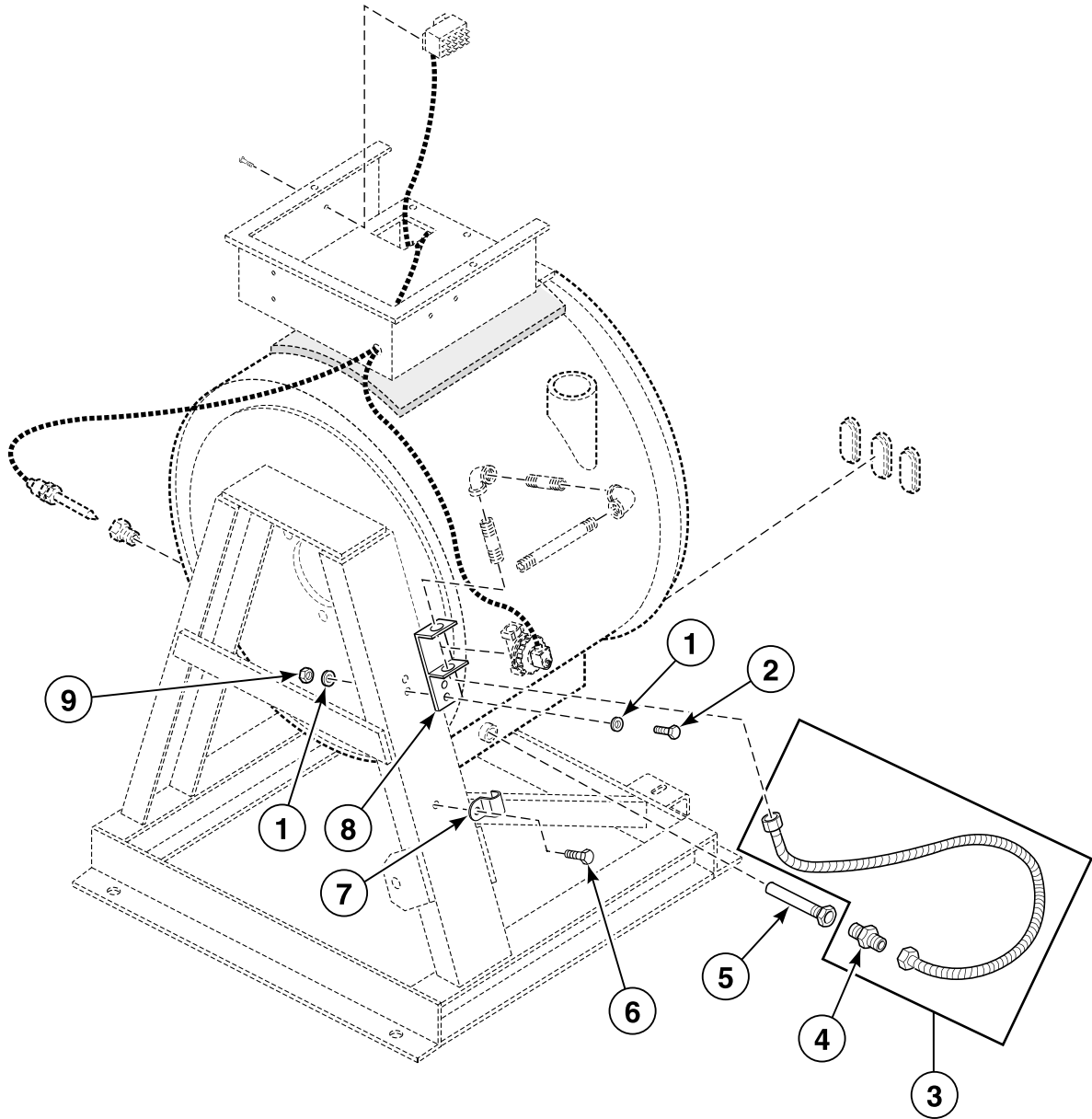
Steam Heat Assembly (Drawing 1 of 2)

REF	PART NO.	DESCRIPTION	COMMENTS
	F730464	Steam Heat Kit	HC18, HC25, HC27, SC18, SC25, SC27, UC18, UC25 and UC27 models; Micro; 110 Volt
	F730465	Steam Heat Kit	HC35, SC35 and UC35 models; Micro; 120 Volt
	F730466	Steam Heat Kit	HC50, SC50 and UC50 models; Micro; 120 Volt
	F730467	Steam Heat Kit	HC18, HC25, HC27, SC18, SC25, SC27, UC18, UC25 and UC27 models; Micro; 220 Volt
	F730468	Steam Heat Kit	HC35, SC35 and UC35 models; Micro; 220 Volt
	F730469	Steam Heat Kit	HC50, SC50 and UC50 models; Micro; 220 Volt
	F730470	Steam Heat Kit	HC18, HC25, HC27, SC18, SC25, SC27, UC18, UC25 and UC27 models; AKO Timer; 120 Volt
	F730471	Steam Heat Kit	HC35, SC35 and UC35 models; AKO Timer; 120 Volt
	F730472	Steam Heat Kit	HC50, SC50 and UC50 models; AKO Timer; 120 Volt
	F730473	Steam Heat Kit	HC18, HC25, HC27, SC18, SC25, SC27, UC18, UC25 and UC27 models; AKO Timer; 220 Volt
	F730474	Steam Heat Kit	HC35, SC35 and UC35 models; AKO Timer; 220 Volt
	F730475	Steam Heat Kit	HC50, SC50 and UC50 models; AKO Timer; 220 Volt
1	F421936	Reducer Bushing	
2	F290111P	Thermostat	
3	F430174	Screw	
4	70079601	Elbow	
5	N/A	Shell Assembly	HC18, SC18 and UC18 models; Heat option
	F741011	Shell Kit	HC25, SC25 and UC25 models; Heat option; Includes F200142 Air Trap Hose, F200202600 Plug, F200205 Hose Clamp (No. 10), F200213 Hose Clamp (No. 40), F200215 Hose Clamp (No. 28), F200222 Hose Clamp (No. 12), F420408 Plug, F430218 Nut, F430301 Washer, F430303 Washer and F430942 Screw
	F631201	Shell Assembly	HC27, SC27 and UC27 models; Heat option
	F741012	Shell Kit	HC35, SC35 and UC35 models; Heat option; Includes F200142 Air Trap Hose, F200205 Hose Clamp (No. 10), F200213 Hose Clamp (No. 40), F200215 Hose Clamp (No. 28), F420408 Plug, F421507 Plug, F430218 Nut, F430301 Washer, F430303 Washer and F430942 Screw
	N/A	Shell Assembly	HC50, SC50 and UC50 models; Heat option
6	F420708	Nipple	
7	F420707	Nipple	
8	F360202	Heating Element Plug	
9	70214101	Pipe Nipple	
10	F380786P	Steam Valve	120 Volt
	F380787P	Steam Valve	220 Volt

N/A = Part no longer available

NOTE: The steam heat kits include the steam injector tube assembly, hose, bracket assembly, temperature probe, tee, harness assembly, water level switch bracket, water level switch, tubing, screw, locknut, washer, nut and items 1, 3 and 5-10

Steam Heat Assembly (Drawing 2 of 2)



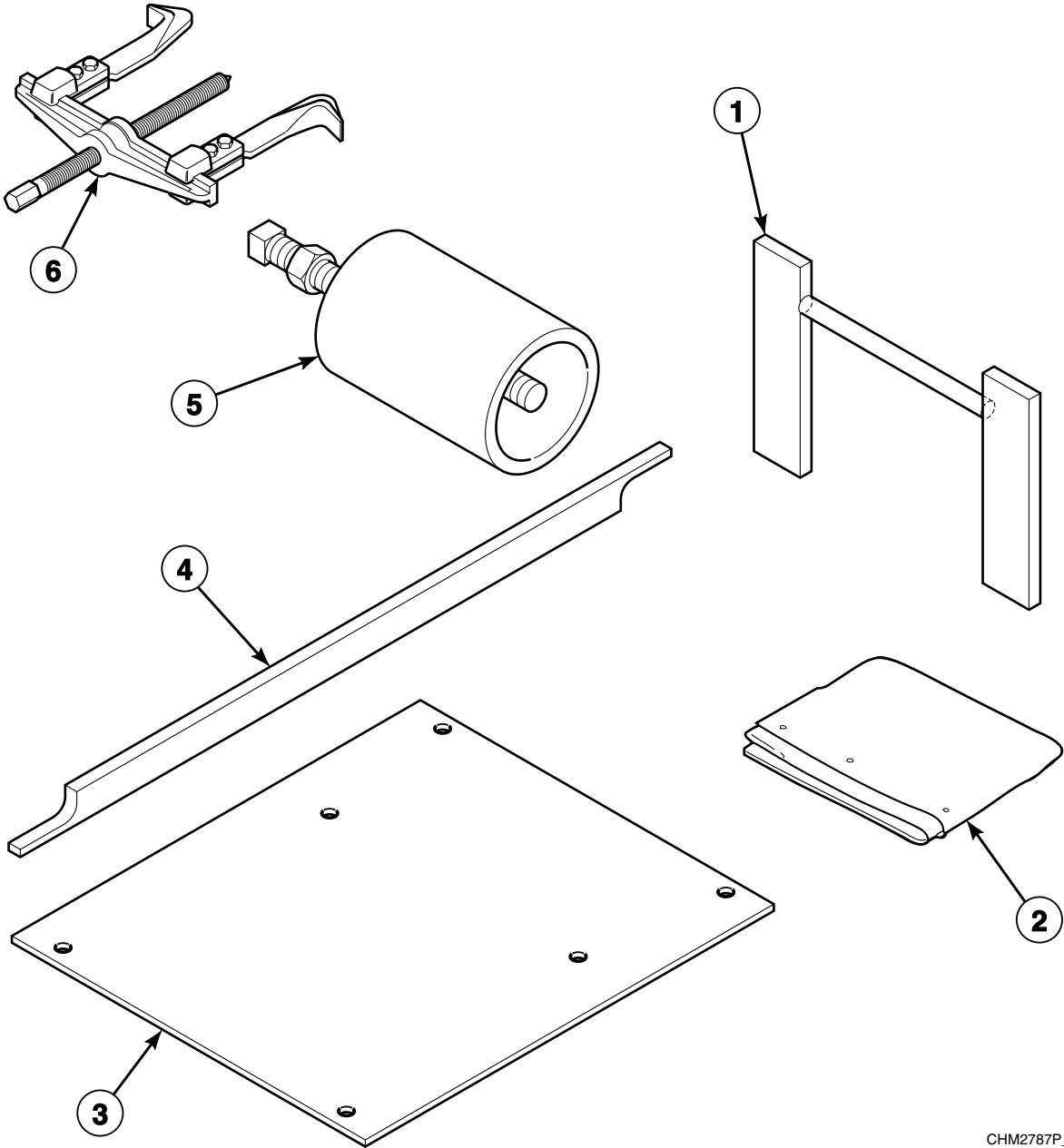
CHM2109P_F232173

Steam Heat Assembly (Drawing 2 of 2)

REF	PART NO.	DESCRIPTION	COMMENTS
1	F430317	Washer	
2	F430108	Screw	
3	F200154	Steam Hose	Includes item 4
	F410300	Pipe Insulation	
4	70214101	Pipe Nipple	
5	F603131	Steam Injection Tube Assembly	
6	F430115	Screw	
7	N/A	Cable Strap	
8	F601186	Steam Bracket Assembly	
9	F430215	Nut	

N/A = Part no longer available

Special Tools



CHM2787P_F232173

Special Tools

REF	PART NO.	DESCRIPTION	COMMENTS
1	F460131	Basket Pulley Puller Tool	
2	F450127	Template	HC18, HC35, HC50, SC18, SC35, SC50, UC18, UC35 and UC50 models
	F450246	Template	HC25, SC25 and UC25 models
3	F608707	Bolt Layout Mounting Template	HC18, SC18 and UC18 models
	F608708	Bolt Layout Mounting Template	HC25, SC25 and UC25 models
	F631796	Bolt Layout Mounting Template	HC27, SC27 and UC27 models
	F608709	Bolt Layout Mounting Template	HC35, SC35 and UC35 models
	F608710	Bolt Layout Mounting Template	HC50, SC50 and UC50 models
4	N/A	Basket Pulley Alignment Bar	HC50, SC50 and UC50 models
5	F798001	Basket Pulley Kit	HC18, HC25, SC18, SC25, UC18 and UC25 models
	F798002	Basket Puller Kit	HC27, HC35, SC27, SC35, UC27 and UC35 models
	F798003	Basket Puller Kit	HC50, SC50 and UC50 models
6	F460129	Bearing Puller Tool	

N/A = Part no longer available

Parts Index

A

Air Chamber Nipple	
F634178	89
Air Trap Hose	
F200142	83, 85, 87, 89
Auxiliary Contactor	
F330145P	13
F330185P	9, 13

B

Ball Bearing	
M400592	97
Basket Assembly	
F602241-1P	63
F603225-1	63
F603900-1	63
F606214	63
F631927	63
Basket Puller Kit	
F798002	111
F798003	111
Basket Pulley Kit	
F798001	111
Basket Pulley Puller Tool	
F460131	111
Bearing	
F100108	65
F100122	65
F100123P	65
F100136P	65
F100137	65
Bearing Puller Tool	
F460129	111
Belt	
F0280380-00	95
F280304	101
F280321	95
F280337	95
F280341	101
F280342	101
F280343	95
F280373	101
Bleach Light Kit	
F798703	33, 35
F798704	33, 35
Blind Rivet	
J1111905	51
Bolt	
F430969	31
Bolt Layout Mounting Template	
F608707	111
F608708	111
F608709	111
F608710	111
F631796	111
Bottom Fill Hose	
F150414	87

Bracket	
F606005	29
Bridge Rectifier	
F370310	11
Bushing	
F280225P	95, 103
F280430	95

C

Cabinet Brace	
F634800	59, 61
F634801	59, 61
F634802	59, 61
F634803P	59, 61
Cap Plug	
F190301	69
Capacitor	
F370218	101
F370220	99, 101
F370221	99
F370222	99, 101
F370223	99, 101
F370224P	99, 101
F370225P	9, 13
F370230	99, 101
Capacitor Bracket	
F602732	95
Capacitor Mounting Bracket	
F200033500	95, 101
Capacitor Mounting Clamp	
F140612P	9, 13
CCA Mounting Bracket	
F608169	15, 19
Circuit Board Support	
F432001	15, 19
Circuit Breaker	
F350217	13
Clip	
F601515	33, 37, 39, 97, 103
Coil	
F380900	71
F380917	71
Coin Blocking Wire Harness	
F634561-1	21
F634561-2	21
Coin Box	
F160631	27
F160632	27
F160633	27
F160634	27
F160636	27
F160672	27
F160673	27
Coin Catch Funnel Kit	
F606651	29
Coin Chute	
F160652P	29, 31
Coin Counter CCA	
F0370410-10P	15
F370425P	19

N/A items do not appear in index.

Coin Funnel Assembly			Coin Meter Harness		
F607535	31		F607322-5	21	
Coin Guide Assembly			Coin Meter Insert Decal		
F200002500	17, 23		F231010	15, 23	
F200002501	21, 25		Coin Meter Slide Sub-Assembly		
F200002502P	17, 23		F605974	29	
F200002503	21, 25		Coin Meter Wire Harness		
Coin Meter Adapter Kit			F607322-2P	17	
F775100-02	29, 31		F607322-3	21	
F775101-02	31		Coin Slide Extension		
Coin Meter Assembly			F606006	29, 31	
F200003000P	15		Conductor Decal		
F200003001	15		F231146	7	
F200003002	15		Contactora		
F200003003P	15		F330175P	9, 13, 105	
F200003004	15		F330177P	9, 105	
F200003005P	15		F330179P	105	
F200003006	15		F330187P	105	
F200003007	15		F330188P	105	
F200003008	15		Contactora Mounting Rail		
F200003009P	15		F610083	13	
F200003010	15		Control Box Assembly		
F200003011	15		F634236-1	13	
F200003012	15		Control Module Cover		
F200004900	19		F634175	13	
F200004901	19		Control Panel Assembly		
F200004902	19		F635521-1	61	
F200004903	19		F635521-2	59	
F200004904	19		F635522-1	61	
F200004905	19		F635522-2	59	
F200004906P	19		F635525-1	61	
F200004907	19		F635525-2	59	
F200004908	19		F635526-1	61	
F200004909	19		F635526-2	59	
F200004910	19		Control Panel Decal		
F200004911	19		F0231609-00	33, 35	
F200004912	19		F0231617-00	33, 35	
F200115000P	23		F230843	33, 35	
F200115001	23		F230845	33, 35	
F200115002	23		F230846	33, 35	
F200115003	23		F231244	33, 35	
F200115004	23		F231255	33, 35	
F200115005P	23		F231472	33, 35	
F200115006	23		F231473	33, 35	
F200115007	23		F231475	33, 35	
F200115008	23		F231476	33, 35	
F200115009	23		F231477	33, 35	
F200115010	23		F231478	33, 35	
F200115011	23		F231479	33, 35	
F200115100	25		F231487	33, 35	
F200115101	25		F231488	33, 35	
F200115102	25		F231537	33, 35	
F200115103	25		F231538	33, 35	
F200115104	25		F231539	33	
F200115105	25		F231540	33, 35	
F200115106P	25		F231541	33, 35	
F200115107	25		F231542	33, 35	
F200115108	25		F231543	33, 35	
F200115109	25		F231544	33, 35	
F200115110	25		Cotter Pin		
F200115111	25		F430401	97, 103	
F200115112	25		Counterclockwise Spin Rotation Decal		
Coin Meter Blocking Coil			F230693	7, 49	
F160466P	15, 19, 23, 25		Cycle Selector Switch		
F160467	15, 19, 23, 25		F340413	11, 13	
Coin Meter Decal			F340442	11, 13	
F0231595-00	21, 25				
F0231595-01	21, 25				

N/A items do not appear in index.

Cycle Timer	
F160301P	11, 13
F160304P	11
Cycle Timer Indicator Cover	
F150249	11, 13
Cycle Timer Indicator Kit	
F730525	11, 13

D

DC Power Cable	
F140202	15, 19
Digital Display Decal	
F230803	15, 19
Digital Display LED CCA	
F370424-1	19
Disconnect Power Warning Label	
505281	7
Do Not Lift Decal	
F230216	7
Do Not Open Warning Label	
F231263	7
Door Assembly	
F603239-4	51
F603901-4	51
F603901-5	51
F604079-4	51
F604079-5	51
Door Bezel	
F0170426-00	59, 61
F0170426-10	59, 61
F170416-1	61
F170416-2	61
F170417-1	59, 61
F170417-2	61
F634668-1	59
F634668-2	59
Door Gasket	
F170123-1	49
F170124-1	49
F200000201	49
Door Glass	
F290208P	49
Door Glass Kit	
F290205P	49
F290207P	49
Door Handle	
F150225	49
Door Handle Kit	
F730155	49
Door Hinge	
F190216P	51
Door Hinge Shim Kit	
F200131000P	51
Door Lock Assembly	
F0636698-06P	45
F602509-1P	41
F602509-2P	41
F602509-3P	41
F602509-4P	41
F603390-1P	41
F603390-2	41
F603390-3P	41
F603390-4P	41

F605386-13	43
F605386-14P	43
F605386-7P	43
F605386-8P	43
Door Lock Assembly Cover	
F603003	41, 43, 45, 47
Door Lock Catch	
F150223	41, 43
Door Lock Catch Casting	
F150261	41, 43, 45, 47
Door Lock CCA	
F370430-1P	13
Door Lock Kit	
F0798839-00	47
F0798839-01	47
F746502	43
Door Lock Lever	
F605381	41, 43
Door Lock Microswitch	
F200203200	45, 47
F340919	41, 43
Door Lock Pin Linkage	
F150455	45, 47
Door Lock Pin Release Spring	
F310137	45, 47
Door Lock Plate Assembly	
F8066701	45, 47
Door Lock Plate Cover	
F602567	41, 43
Door Lock Plate Shim	
F603185	41, 43
F8059701	45, 47
Door Lock Plate Sub-Assembly	
F605394	43
F633734	41
Door Lock Relay CCA	
F370426-1P	9
F370426-2P	9
Door Lock Retainer Latch	
F0636103-00	47
Door Lock Solenoid	
F0300131-00P	43, 47
F300113P	41
Door Lock Splash Shield	
F320200	41, 43, 45, 47
Door Lock Spring	
F310125	49
Door Lock Switch Lever	
F0636636-00	45, 47
Door Lock Time Delay	
F200025200	9
Door Lock Torsion Spring	
F310110	41, 43, 45, 47
Door Lock Wire Harness	
F605406-2	43
F634301	45
Door Locking Linkage Pin	
F431231	45, 47
Door Mount	
F150271	51
Door Release Solenoid	
F300128P	41, 43, 47
Door Spacer	
F0150273-00	49

N/A items do not appear in index.

Door Switch	
F340200	41, 45
Drain Connector Tee	
F8017101	83, 87
Drain Hose	
F0150331-00	83, 87
F150356	85
F200123500	83
Drain Motor	
F380943P	79, 81
Drain Pump	
F270119P	91
Drain Tee	
F150398	83
Drain Valve	
F038062800	81
F038062900	81
F380618	79
F380619	79
Drain Valve Assembly	
F602920	79
F603175	79
Drain Valve Cover	
F200133600	79
Drain Valve Motor	
F380932P	79, 81
F380933P	79, 81
F380972P	79, 81
Drain Valve Motor and Gear Box Assembly	
G159764P	79, 81

E

Elbow	
70079601	107
Electrical Box Assembly	
F602694	57
Electrical Panel Sub-Assembly	
F0607746-01	11
F607358	11
Element	
F360205P	105
E-Ring Retainer	
F310205	45, 47
Extension Spring	
F310124	97, 103
External Supply Decal	
F230764	75
Extrusion Control Panel	
F150403	57
Extrusion Panel	
F150313	35, 57
F150322	35, 57
F150323	35, 57

F

Female Pin Terminal	
00430	15, 19, 23, 25
Fill Hose	
F150372	73, 83

Filter	
F270305	93
F270306P	93
Filter Housing Cap Gasket	
F270407	93
Filter Screen	
F270300	93
Flange Relay	
F330227	11, 13
F330230	11
Flow Restrictor	
F380957	71
F380958	71
Frame Assembly	
F606178	65
F607003	65
F607004	65
F607005	65
F630232	65
Front Drain Hose	
F150312	83, 87
F200123900	83
Front Panel	
F634665-1P	61
F634665-2	61
F634665-5	61
F634666-1P	59
F634666-2	59
F634666-5	59
F634682-1P	61
F634682-2	61
F634682-5	61
F634682-6	61
F634683-1P	59
F634683-2	59
F634683-5	59
F634764-1P	61
F634764-2	61
F634764-5	61
F634764-6	61
F634765-1P	59
F634765-2	59
F634765-5	59
F634816-1P	61
F634816-2	61
F634816-5	61
F634816-6	61
F634817-1	59
F634817-2	59
F634817-5	59
F634836-1P	61
F634836-2	61
F634836-6	61
Front Panel Assembly	
F631968-2	57
Front Panel Kit	
F757405	53
F757406	53
F757414	53
F757419	53
F757440	53
F757445	53
F757450	53
F757455	53
F757484-01	53
F757485-01	53

N/A items do not appear in index.

Fuse	
F350104	77
F350110	9, 13
F350115	73, 75
F350117	13
F350127	15, 19
F350141	13
Fuse Decal	
F231354	13
F231393	13
F231394	13
Fuse Holder	
F0350312-10	13, 73, 75
F350304P	77

G

Gasket	
F170401P	57
Grommet	
F170607	57
Ground Decal	
F230630	7
F230739	7
Ground Terminal Lug	
F140734	73, 75, 77

H

Heating Element	
F360206P	105
Heating Element Plug	
F360202	105, 107
Hose	
F200115	91
F200195	91
Hose Clamp	
F200204	87, 89, 91
F200205	69, 83, 85, 87
F200206	75
F200213	69, 73, 83, 85, 87, 89, 91
F200215	81, 83, 85, 87, 89
F200217	91
36801	69, 73

I

Injection Nozzle	
F380300	75
Injection Nozzle Kit	
F730168	75
Inner Front Panel Kit	
F757200	57
F757203	57
F757204	57
F757207	57
Input Power Block	
F140746	75, 77
F140747	75, 77
F140748	75
Input Power Connection Box Cover	
F602533	77

Insulator Bushing	
F140909	73, 77

K

Key	
F160420	27
F160421	27
F160422	27
F160423	27
F160424	27
F160562	55
F160582	27
F160591	27
F190805-1	55
F430801	95, 101
F430802	97, 103

L

Left Side Panel	
F0636136-00P	55
F634397-1	55
F634499-1	55
F635272-1P	55
F635274-1P	55
Left Side Panel Kit	
F757602	55
F757603	55
Lid Clamp Assembly	
F630430	67
Lid Lock	
F190802P	55
F190805P	55
Light	
F350411	33, 35
F350412	33, 35
F350413	33
F350420	33, 35
F350422	33, 35
F350430	33, 35
F350431	33, 35
Liquid Supply Decal	
F230877	7

M

Magnet	
F340703	51
Magnetic Position Switch	
F340702	51
Male Connector	
F140571	15, 19, 23, 25
Manifold	
F150371	69
Manual Fast Advance Decal	
F230756	7
Mechanical Timer Harness Kit	
F798705	33, 35
Mixing Valve Kit, 3-Way	
F730455	69, 71
F730456	69, 71

N/A items do not appear in index.

Module Cover	
F602961	57
Momentary Switch	
F200120100	33, 35
F340412	39
Motor	
F0220111-00P	103
F0220120-01P	103
F022012400P	97
F022012800P	97
F0220321-00P	103
F022032200P	103
F022032500P	97
F022032600P	103
F022038700P	97
F022038800P	97
F022039600P	97
F160537	11
F160538	11
F160539	11, 13
F220110P	97
F220125P	97
F220327P	103
F220352	97
F220354	103
F220389	97
Motor Bearing	
F100109P	65
F100124	103
Motor Pulley	
F280177P	103
F280281	99, 103
Motor Support Bushing	
F200186100	97, 103
Motor Support Rod	
F602844	97
F603059	103
F603897	103
Motor Switch	
F340002	9
Motor Switch Bracket	
F340704	9
Mounting Bracket	
F602722	55
Mounting Plate	
F606595	69

N

Nipple	
F420707	107
F420708	107
Nut	
F430211	9
F430215	29, 31, 41, 43, 51, 55, 63, 83, 85, 87, 89, 91, 109
F430218	65
F430220	41, 43
F430224	75
F430225	41, 43, 45, 47
F430231	9, 11, 13, 41, 45, 55, 69, 73, 77, 91, 105
F430232	39, 41, 43, 45, 47, 49, 73, 77, 89
F430239	65
F430240	65
F430243	15, 19

F430264	45, 47, 51
F431005	29, 31
F431017	45, 47
F431022	11, 49, 73, 75
F431024	67
F431041	49
F432213	29, 31

O

Optic Switch Kit	
F775801-01P	15, 19, 23, 25
O-Ring	
F170208	75
Overflow Hose	
F150308	87
F150332	83, 85, 87
F200125800	83
Overflow Plug	
F150352	81, 89, 91
Overload Contactor	
F0330191-00P	9, 13
F0330192-00P	9, 13
F330403P	9, 13

P

Personal Injury Warning Decal	
F231065	7
Pipe	
F603827-1	91
F608237	87
Pipe Insulation	
F410300	109
Pipe Nipple	
70214101	107, 109
Plug	
F150443	89, 91
Pop Rivet	
F431209	29
F431210	35, 57
F431215	17, 21, 23, 25, 55
Power Supply CCA	
F370411-1P	15, 19
F370411-2P	15, 19
Power Supply Cover	
F633260	73
Power Supply Harness	
F0141904-00	17
F0141904-01	17
Power Supply Harness Assembly	
F141878	17
Pulley	
F280168	95
F280170	99
F280173	101
F280284	99
F280416	99
F280418	99, 103
F280422P	103
F280423	99
F280427	99

N/A items do not appear in index.

Pulley Bushing	
F280298P	95, 103
Pulley Kit	
F748001	101
Pump	
F270104P	91
F634463P	89
Pump Drain Outlet Hose	
F150482	89
Pump Drain Rear Connecting Bracket	
F604147	89, 91
Pump Drain Trap Assembly	
F630326P	91
Pump Drain Trap Mounting Bracket	
F609694	91
Pump Drain Trap Weldment	
F633819	89
Pump Inlet Hose	
F634177	89
Pump Mounting Bracket	
F634114	89
Push Red Button Decal	
F230661	49
Pushbutton Rod	
F320300	49
Pushbutton Stop	
F602540	41
F605382	43

R

RC Network Filter	
F330217P	17, 21
Rear Drain Hose	
F150311	83, 89
Rear Panel Kit	
F0798927-00	55
F757000	55
F757001	55
F757002	55
F757003	55
Rear Pump Drain Hose	
F150343	89, 91
Red Dot Decal	
F230662	49
Reducer Bushing	
F421936	105, 107
Relay CCA	
F370413P	13
F370440P	13
Remote Pay Icon Decal	
F0231615-00	39
F0231615-01	39
Remove Door Lock Tag	
F230528	7
Replacement Filter	
F270405	93
F270406	93
Resistor	
F370116	99
Ribbon Cable	
F140243P	19

Right Side Panel	
F0635271-01	55
F0636594-00P	55
F634396-1P	55
F634500-1	55
F635275-1P	55
Rivet	
F432005	57
Rocker Switch	
F340411	33, 37, 39
Rod	
F602813-2	51

S

Screw	
F430100	101
F430103	83, 85, 87
F430107	89, 91
F430108	55, 95, 101, 109
F430115	109
F430156	13
F430173	33, 37
F430174	13, 19, 29, 41, 43, 55, 73, 75, 77, 105, 107
F430177	13, 69, 73
F430179	89
F430482	9, 13
F430518	63
F430519	91
F430532	49
F430533	49
F430536	51
F430903	73, 77
F430904	9, 13, 29, 31
F430906	51
F430910	13, 91
F430916	9, 11, 51, 69, 73, 75, 105
F430917	9, 11, 13, 75
F430925	29, 31, 41, 43, 55
F430927	95
F430928	29, 31
F430929	69
F430938	77
F430942	65
F430948	11, 13, 69, 73
F430949	65
F430956	45, 47
F430976	49
F430977	41, 43, 45, 47
F430978	41
F430982	41, 43, 45, 47
F430983	41, 43
F430986	51
F430987	65
F431701	75
F432293	51
Shaft Seal	
F100208	65
F100228	65
F100229	65
F100242	65
Shaft Seal Sleeve	
F200215100	63
F200215200	63
F200215300	63
F200215400	63

N/A items do not appear in index.

F200215500.....	63	F730473	107
Sheave Pulley		F730474	107
F280172	95, 101	F730475	107
Shell Assembly		Steam Hose	
F631201	105, 107	F200154	109
Shell Band Assembly		Steam Injection Tube Assembly	
F631977	63	F603131	109
Shell Band Gasket		Steam Valve	
F200001600P	63	F380786P	107
Shell Band Kit		F380787P	107
F741700	63	Strainer	
F741701	63	F270200	71
F741702	63	Stud	
Shell Front Assembly		F390300	55
F632006	63	Supply Dispenser	
Shell Front Gasket Kit		F602374-3	67, 69, 73
F792000	63	F634377P	73
Shell Front Kit		Supply Dispenser Assembly	
F741300P	63	F200202210	67, 69
F741301-01	63	Supply Dispenser Baffle	
F741302-01	63	F150419	83, 85
Shell Kit		Supply Dispenser Gasket	
F741008	65	F170170	67
F741011	105, 107	Supply Dispenser Lid	
F741012	107	F200270501	67
Shell Weldment		Supply Hose Bracket	
F634600	65	F606516	75
F634608	65	Switch	
F634644	65	F340403	9
Signal Light		F340430	9
F350404	33, 35	Switch Panel Assembly Decal	
Siphon Tube		F230918	33, 37, 39
F150390	69, 73	Switch Panel Decal	
Slide Coin Meter Vault Kit		F230918-2	33, 37, 39
F775700	31	F231448	33, 37
Soap Dispenser		Switch Panel Mounting Assembly	
F602374-2	67, 69, 73	F606999	39
Soap Dispenser Hose		Switch Plate Sub-Assembly	
F150309	83, 85	F633092-1	33, 37, 39
Solenoid		F633098	39
F300124P	45		
Spacer			
F431901	41, 43, 45, 47		
F431911	75		
Spring Pin			
F431222	49		
Standoff			
F180506	13		
Start Control Assembly			
F160650P	29, 31		
F160651P	29, 31		
Start/Stop Kit			
F730016P	33, 35		
Steam Bracket Assembly			
F601186	109		
Steam Heat Kit			
F730464	107		
F730465	107		
F730466	107		
F730467	107		
F730468	107		
F730469	107		
F730470	107		
F730471	107		
F730472	107		

T

Take-Apart Hinge	
F190203P	55
T-Bolt Fastener	
F0432320-00	59, 61
Tee	
F422817	87
Template	
F450127	111
F450246	111
Terminal	
F140766	73, 75
Terminal Strip	
F140738	11, 13, 75
Terminal Strip Insulator Decal	
F140912	11
F140913	11
F140914	11, 13
F140915	11
F140916	11, 17, 21

N/A items do not appear in index.

Thermostat	
F290111P	105, 107
Timer Mounting Bracket	
F635541	11, 13
Top Brace	
F602620	57
F603014	57
F603227	57
F606239	57
F631247	57
Top Cover Kit	
F0798926-00	55
F758000-01	55
F758001-01P	55
F758002-01P	55
F758003P	55
Top Cover Latch	
F602753	57
Transformer	
F360117P	9, 13
F360124P	13, 91
Trim	
F015050100P	51
Trunnion Kit	
F747000	65
F747001	65
F747002	65
F747004	65
Tubing	
F200168P	75
F606192-5	91

U

U-Bolt Clamp	
F200401P	89, 91

V

Vacuum Breaker Assembly	
F603031	73
Vacuum Breaker Bottom	
F150330	69
Vacuum Breaker Hose	
F150321	69, 73, 83, 87
F150340	69, 73, 83, 85
Vacuum Breaker Top	
F0150329-00	69
Valve Panel Sub-Assembly	
F633494-1	55
F633494-2	55
F633494-3	55
F633494-4	55
Valve Repair Kit	
F380939	71
F380954	71
Valve, 3-Way	
F381718P	73
F381720P	73
F381725P	73
F381728P	73
F381730P	73

Vent Hose	
F200170	87
Vent Nipple	
F422517	87

W

Washer	
F0431159-00	95
F430301	65
F430303	65
F430310	91
F430311	9, 15, 39
F430317	55, 63, 83, 85, 87, 89, 109
F430322	69
F430325	97, 103
F431100	9, 41, 43, 45, 47
F431102	29, 31
F431106	33, 37
F431108	9, 13
F431113	11, 29, 31, 49, 75
F431115	101
F431123	11, 13, 41, 43, 45, 47
F431128	65
F431131	65
F431147	45, 47, 67
F431902	41, 43, 45, 47
F431903	41, 43
F431916	49
F431925	15, 19
20290	93
Water Hose	
F200108P	69, 73
F200116	93
F200128P	69
F200164	93
F200165	93
F200166	93
Water Level Switch	
F0340343-00P	9, 13
F0340345-00P	9, 13

Y

Y Connector	
F422808	73

N/A items do not appear in index.

