

SECTION 6 PARTS DATA

CABINET GROUP All Models

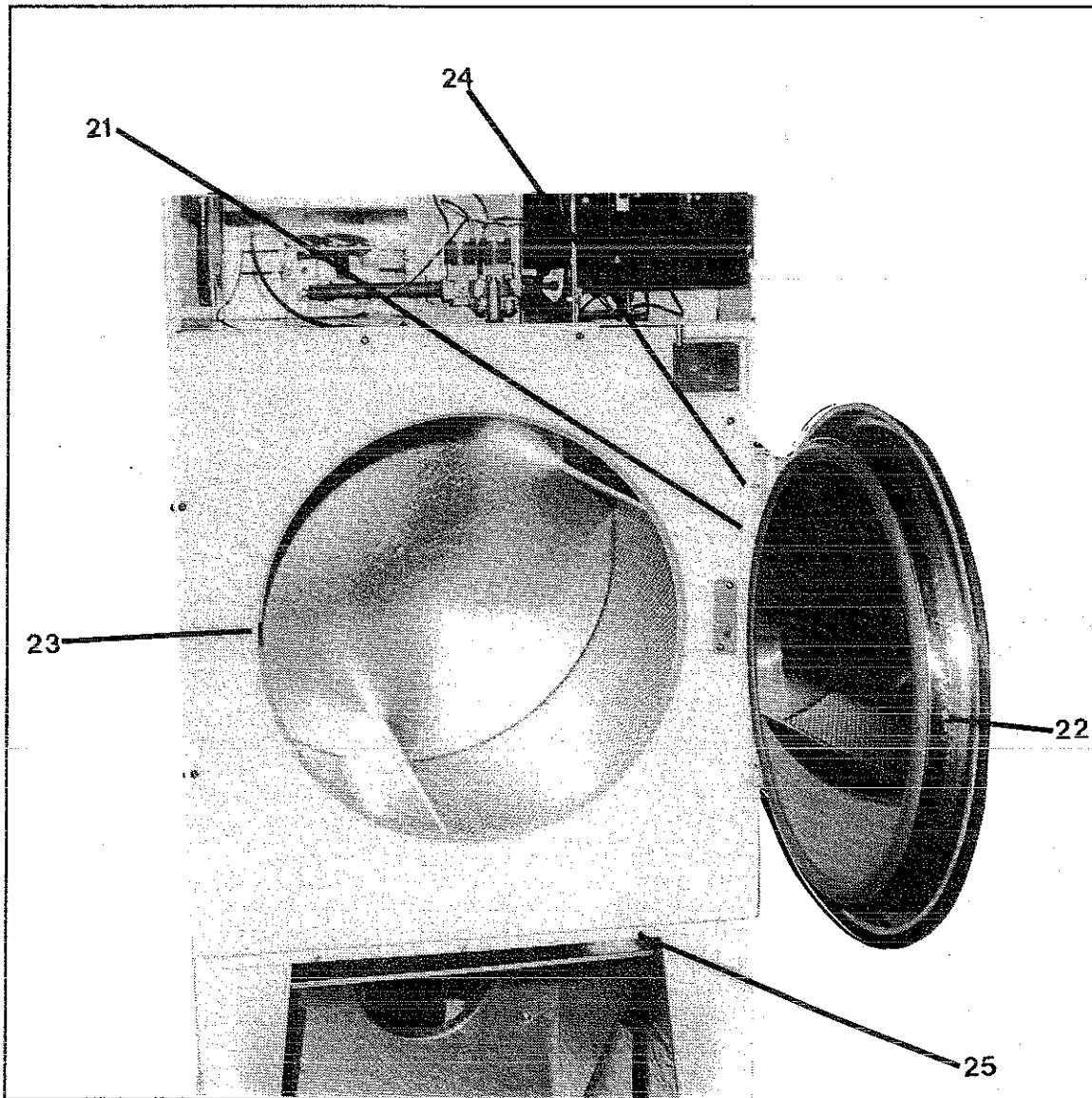
Key	Part Number	Description	
*	9960-256-021	Door Assy., Loading Complete (White)	1
*	9960-256-022	Door Assy., Loading Complete (Almond)	1
*	9960-256-025	Door Assy., Loading Complete (S.S.)	1
		(includes the following parts)	
1	9960-255-007	Door Assy., Loading-Ring Only	1
2	9982-280-002	Plate Assy., Hinge (White)	1
2	9982-280-005	Plate Assy., Hinge (Almond)	1
2	9982-280-011	Plate Assy., Hinge (S.S.)	1
*	9545-012-015	Bolt, Hinge Plate to Door	4
*	8640-413-002	Nut, Hinge Plate to Door	4
3	9212-002-003	Glass, Door	1
4	9206-164-006	Gasket, Glass	1
*	9548-117-000	Support, Door Glass	1
5	9206-394-001	Gasket, Outer Rim	1
6	9244-082-001	Handle, Loading Door	1
*	9545-018-017	Screw, Handle Mtg	2
*	9531-033-001	Stud, Door Catch	1
7	8640-413-003	Nut, Door Catch (acorn)	1
7	8640-413-001	Nut, Door Catch (hex)	1
8	9545-052-001	Screw, Door to Hinge Strap	1
*	8641-436-003	Washer, Fiber/plastic	1
*	6068-041-001	Conduit, Door Switch Wire	1
9	9545-012-003	Screw, Front Panel (conduit mtg)	1
*	8641-582-019	Lock washer, Front Panel (for screw above)	1
*	8640-413-004	Nut, Elastic Stop (for screw above)	1
10	9545-008-020	Screw, Front Panel	4
*	8641-582-019	Lock washer, Front Panel (for screw above)	4
*	8640-399-001	Nut, Spring (front panel to cabinet)	6
11	8641-436-004	Washer, Fiber (between cabinet & front panel on top 2 screws only)	2
12	9960-246-022	Door, Lower Service (White)	1
12	9960-246-025	Door, Lower Service (Almond)	1
12	9960-246-026	Door, Lower Service (S.S.)	1
13	9578-081-002	Trim, Lower Service Door (top)	1
14	9545-008-021	Screw, Lower Service Door Trim (top)	4
15	9578-084-001	Trim, Lower Service Door (kick)	1
16	9435-004-001	Overlay, Trim (kick)	1
17	9545-008-010	Screw, Lower Service Door Trim (kick)	3
*	9206-176-000	Gasket, Cork Pad	2
*	6292-006-006	Key, Lower Service Door	1
18	8650-006-003	Lock, Lower Service Door	1
19	9108-084-010	Door, Upper Service (White)	1
19	9108-084-013	Door, Upper Service (Almond)	1
19	9108-084-014	Door, Upper Service (S.S.)	1
*	9548-268-001	Support, Upper Service Door	1
*	9206-176-000	Gasket, Cork Pad	3
*	6292-006-006	Key, Upper Service Door	1
20	8650-006-003	Lock, Upper Service Door	1
*	8638-211-001	Rivet, Drive (upper door mtg.)	2
*	8641-581-005	Washer, Flat (for rivet above)	2
*	8544-005-000	Leg, Leveling	4
*	9074-261-001	Cover, Cabinet	1

CABINET GROUP

All Models

(continued)

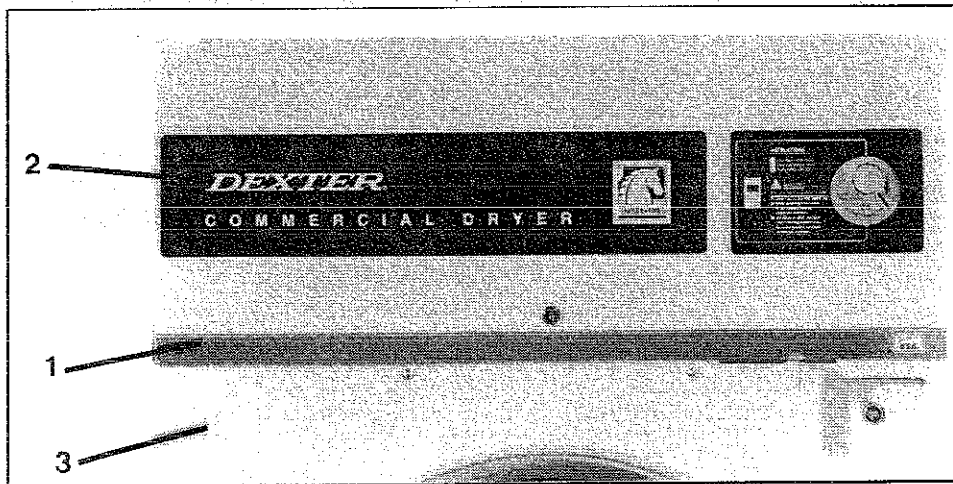
Key	Part Number	Description	
21	9544-047-002	Strap, Hinge (White)	1
21	9544-047-005	Strap, Hinge (Almond)	1
21	9544-047-007	Strap, Hinge (Gray)	1
22	9531-033-001	Stud, Door Catch	1
23	9086-015-002	Catch, Loading Door	1
*	8638-190-008	Rivet, Catch Mtg.	2
24	9545-008-020	Screw, Strap to Panel	4
25	9545-008-006	Screw, Front Panel (bottom flange)	3



CABINET GROUP

Rotary Meter & Manual Timer

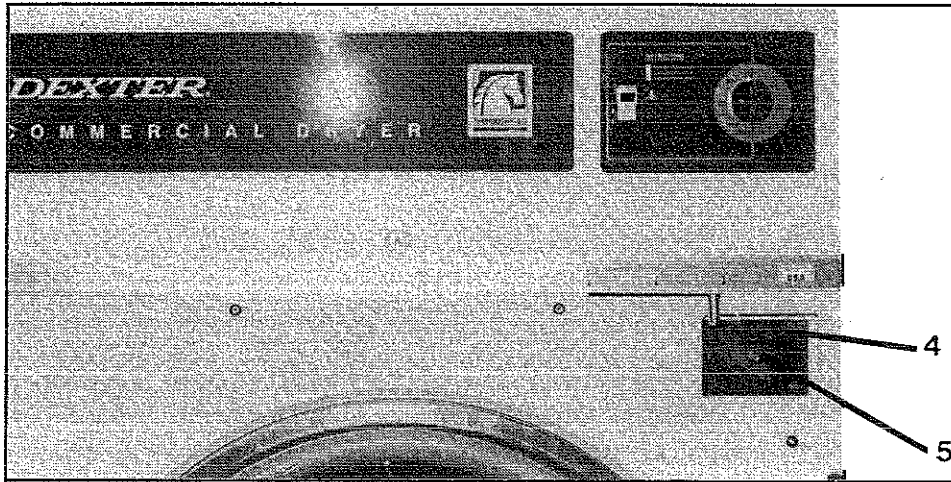
Key	Part Number	Description	
1	9578-085-002	Trim, Upper Door	1
2	9412-083-001	Nameplate, Commercial Dryer	1
3	9454-569-013	Panel, Front (White)	1
3	9454-569-014	Panel, Front (Almond)	1
3	9454-569-017	Panel, Front (S.S.)	1



CABINET GROUP

Manual Timer Only

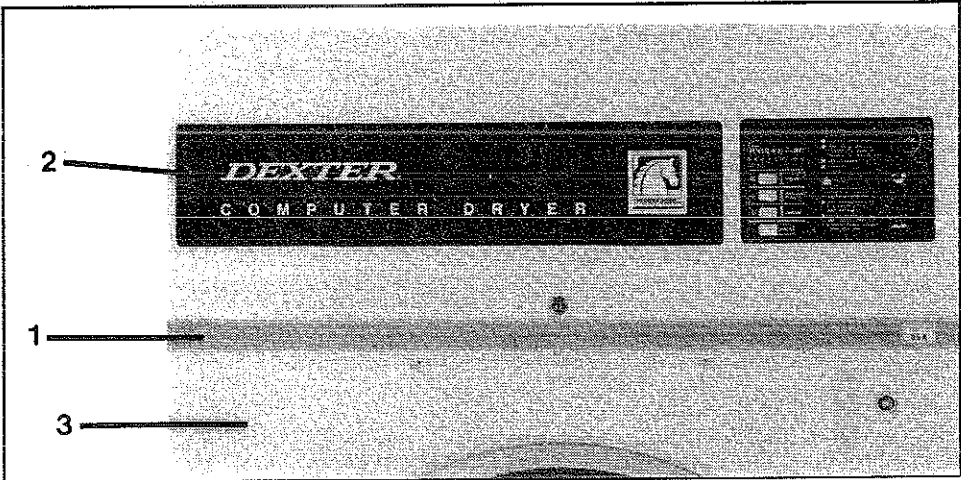
Key	Part Number	Description	
4	9452-585-003	Plate, Coin Vault	1
*	9349-034-001	Latch, Coin Vault Plate	1
5	9545-008-020	Screw, Coin Vault Plate Mtg.	1

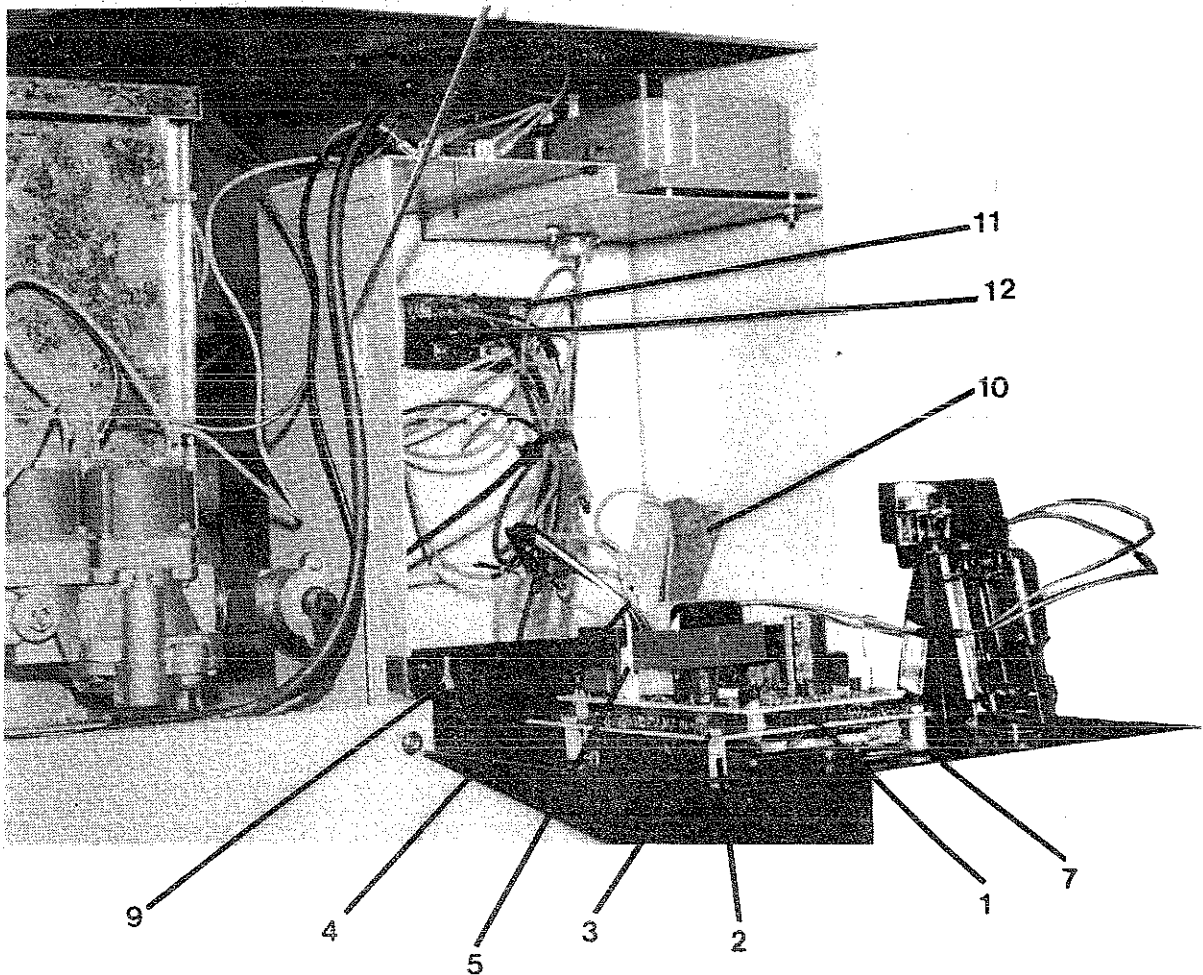
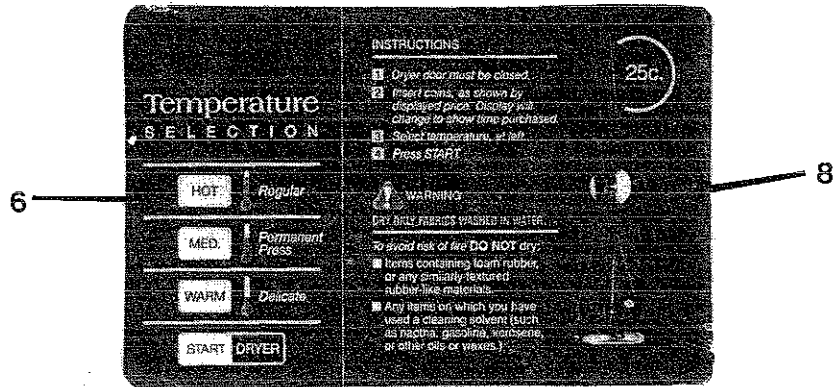


CABINET GROUP

Computer Only

Key	Part Number	Description	
1	9578-085-001	Trim, Upper Door	1
2	9412-083-002	Nameplate, Computer Dryer	1
3	9454-569-005	Panel, Front (White)	1
3	9454-569-018	Panel, Front (Almond)	1
3	9454-569-010	Panel, Front (S.S.)	1

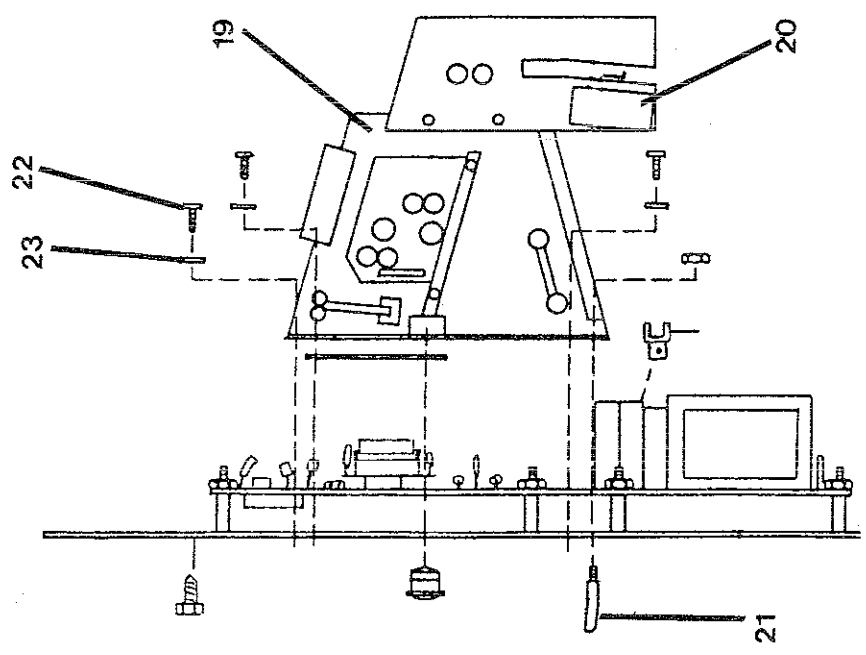
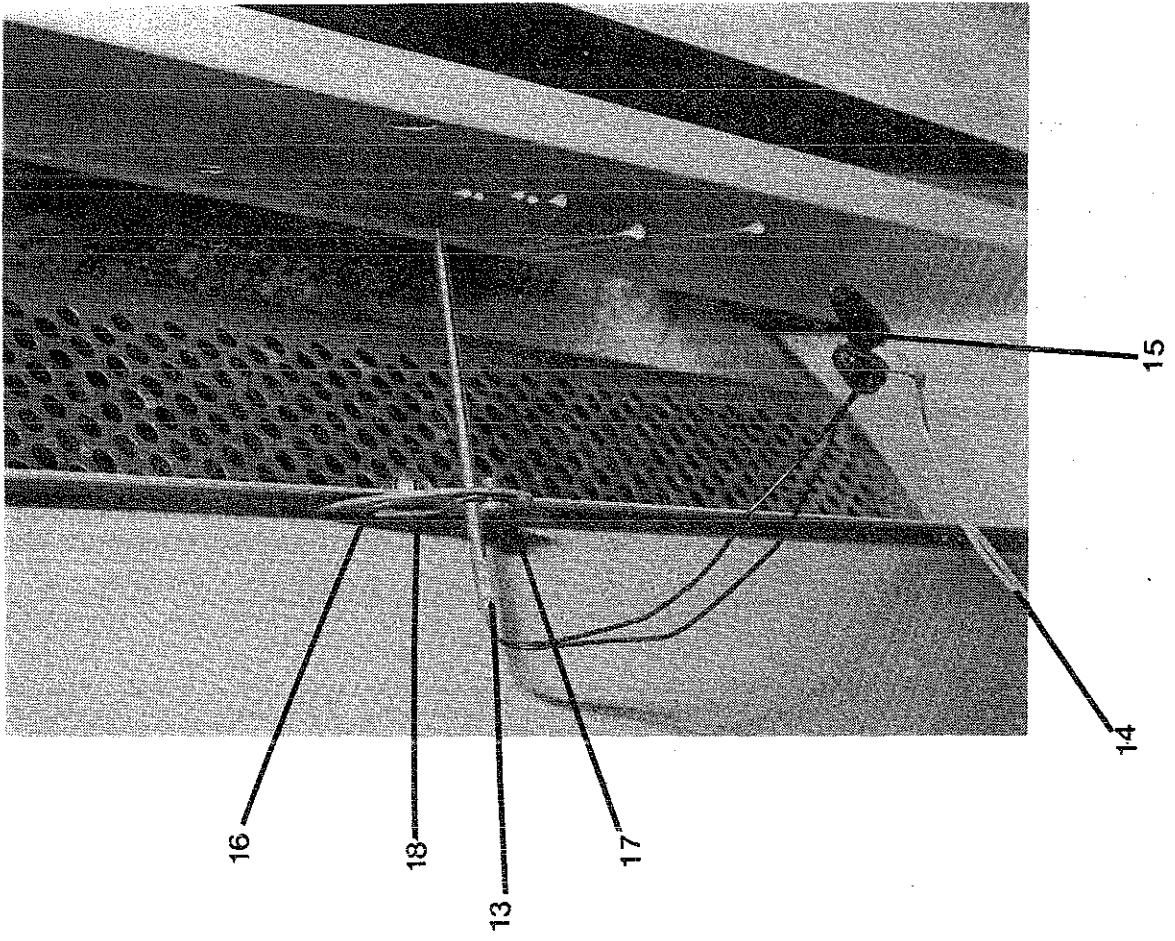




CONTROL HOUSING GROUP

Computer Only

Key	Part Number	Description	
1	9471-005-001	Electronic Control <i>9732-148-002</i>	1
2	9538-157-001	Spacers, Circuit Board	4
3	8640-411-001	Nut, Circuit Board	4
*	8641-582-005	Lock washer, Circuit Board	1
4	8653-074-001	Terminal, Chair Type (relay)	1
5	9627-651-001	Harness, Wiring (electronic control)	1
6	9801-058-005	Switch Assy., Membrane	1
7	9982-281-004	Plate Assy., Electronic Control	1
*	9545-008-006	Screw, Plate Assy. Mtg. (bottom)	2
*	9545-045-002	Screw, Mtg. (top)	1
8	8502-640-002	Label, Control Instruction/Warning	1
9	9051-021-000	Bumper	2
10	9940-013-001	Chute Assy., Coin	1
*	9545-008-006	Screw	1
11	9897-026-001	Terminal Block	1
12	9545-031-004	Screw, Terminal Block Mtg	2
*	9053-067-001	Bushing, Door Switch Wires	1

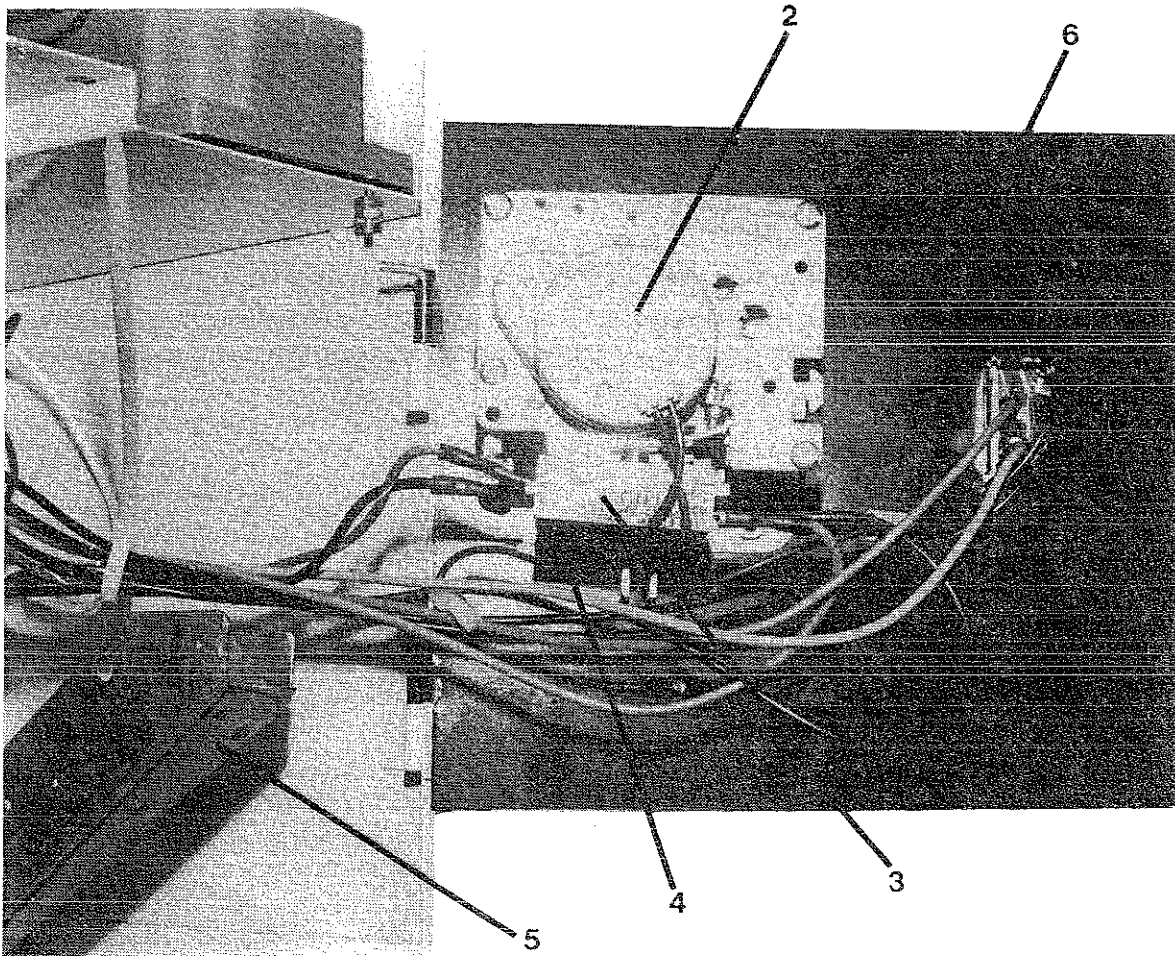
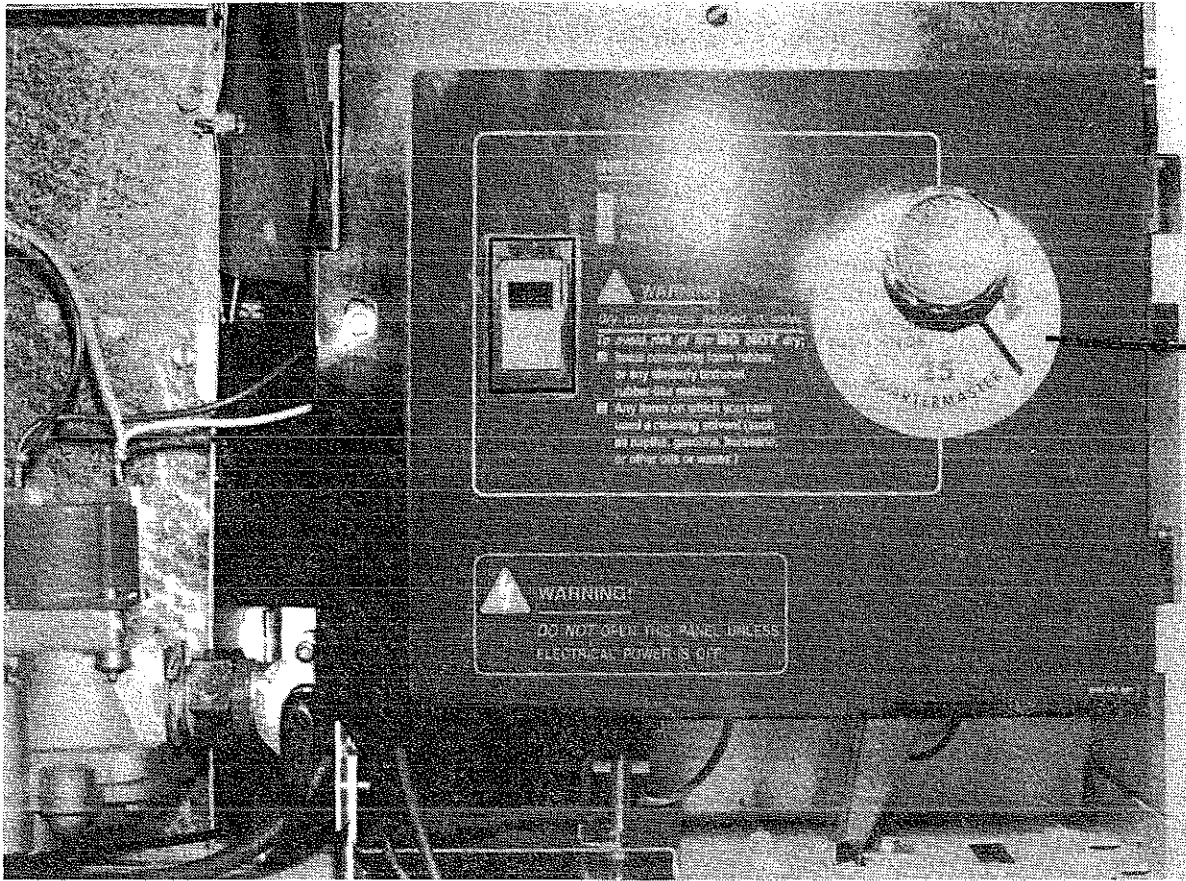


CONTROL HOUSING GROUP

Computer Only

(continued)

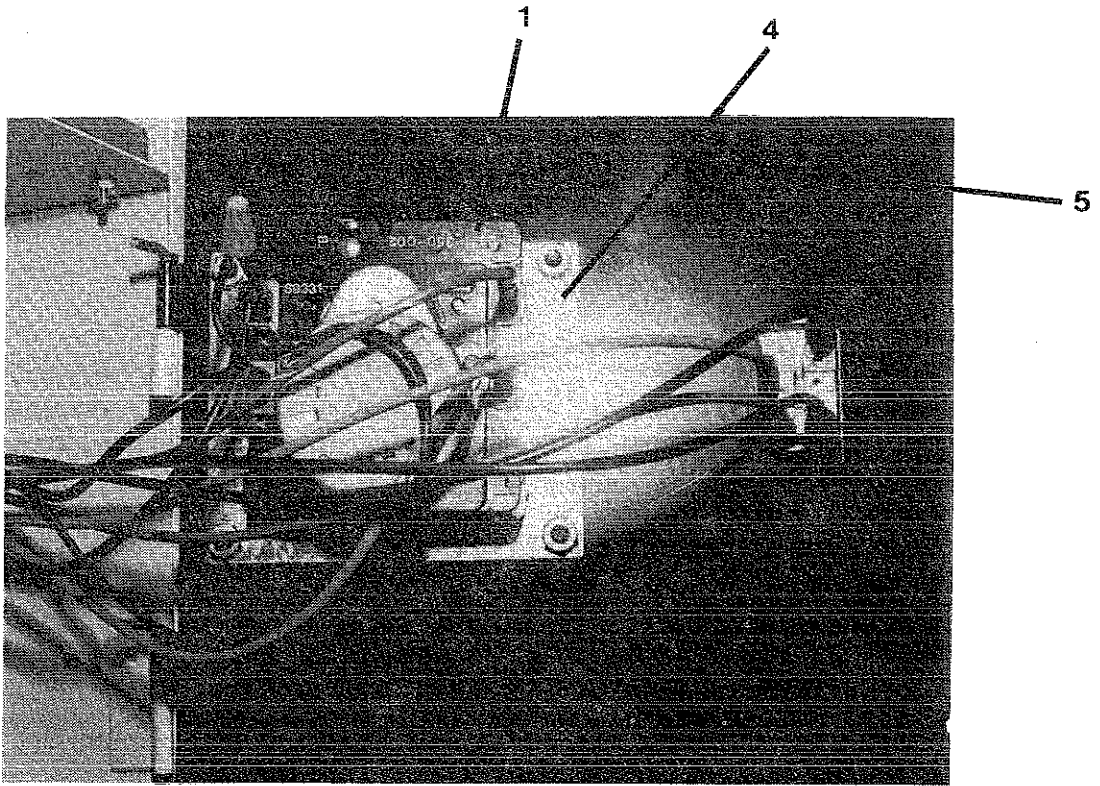
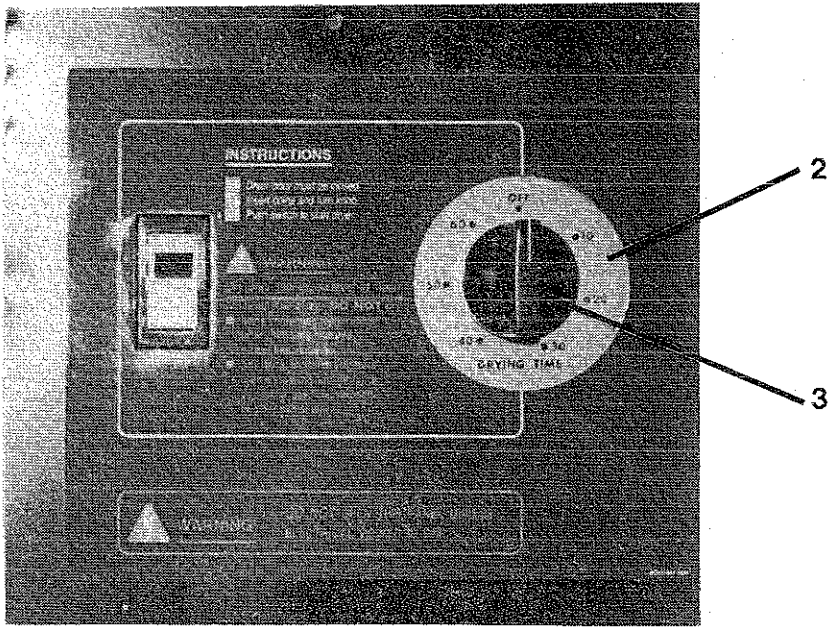
Key	Part Number	Description	
13	9501-004-002	Sensor Assy., Temperature	1
*	9209-037-002	Grommet, Temperature Cable	2
*	9083-113-001	Clip, Temp Sensor Wires	3
14	9627-679-001	Sensor Harness	1
15	8640-276-005	Nut, Wire	2
16	9452-614-001	Plate, Sensor mtg.	1
17	9545-045-005	Screw, Sensor to Mtg. Plate	1
18	8651-053-004	Plug, Button (mtg. plate to cabinet)	1
19	9021-002-005	Coin Acceptor Complete	1
		(includes the following parts)	
20	9732-126-001	Switch, Coin	1
21	9063-004-001	Bail, Coin Return	1
22	9545-025-001	Screw, Acceptor Mtg.	2
23	8641-573-012	Lock washer	2



CONTROL HOUSING GROUP

Rotary Meter Only

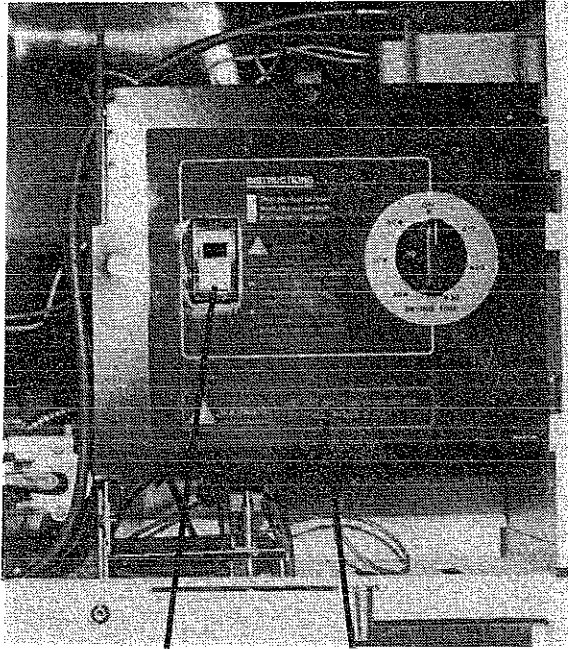
Key	Part Number	Description	
1	9944-038-027	Meter Assy., Coin (50-3200-2-25) (includes the following parts)	1
2	9376-212-001	Motor	1
3	9539-444-002	Switch, Cool Down (B)	1
4	9539-444-001	Switch, Motor Start (A)	1
5	9940-015-001	Chute Assy., Coin	1
*	9545-008-006	Screw	1
*	8641-581-006	Washer, Flat (meter assy. mtg.)	2
*	8641-582-006	Lock washer (meter assy. mtg.)	2
*	8640-413-001	Nut, (meter assy. mtg.)	2
6	9982-285-002	Plate, Meter Mtg.	1
*	9095-032-006	Cam, Timing (4 pin)	1
*	9095-032-007	Cam, Timing (5 pin)	1
*	9095-032-002	Cam, Timing (6 pin)	1
*	9095-032-011	Cam, Timing (7 pin)	1
*	9095-032-001	Cam, Timing (8 pin)	1
*	9095-032-003	Cam, Timing (9 pin)	1
*	9095-032-004	Cam, Timing (10 pin)	1
*	9095-032-012	Cam, Timing (11 pin)	1
*	9095-032-005	Cam, Timing (12 pin)	1



CONTROL HOUSING GROUP

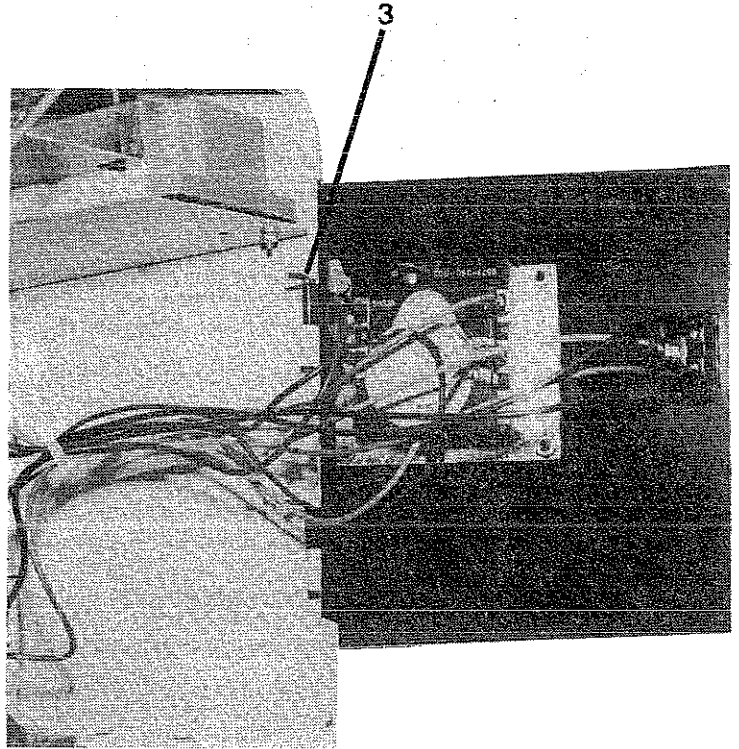
Manual Timer Only

Key	Part Number	Description	
1	9571-350-002	Timer, 60 Minute	1
2	9107-065-001	Dial, Timer	1
3	9307-176-001	Knob, Timer	1
4	9452-574-001	Plate, Timer Mtg. (adapter)	1
*	8640-413-001	Nut, Timer Mtg.	4
*	9545-010-003	Screw, Timer Mtg.	2
5	9982-285-004	Plate, Timer Mtg.	1

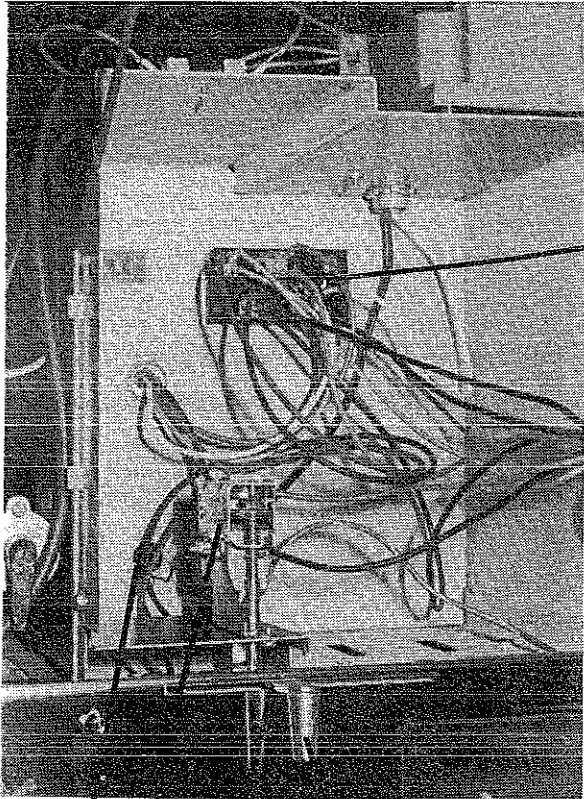


1

2



3



8

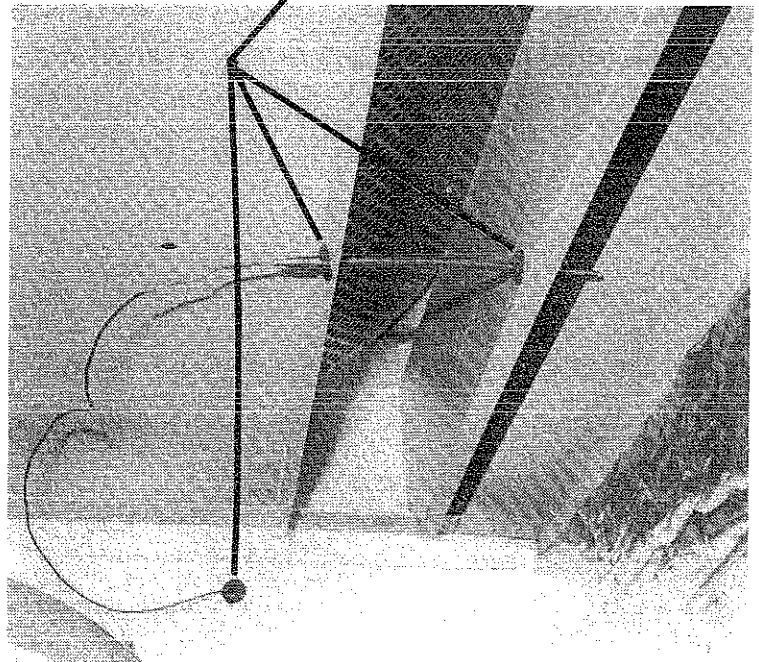
5

5

4

6

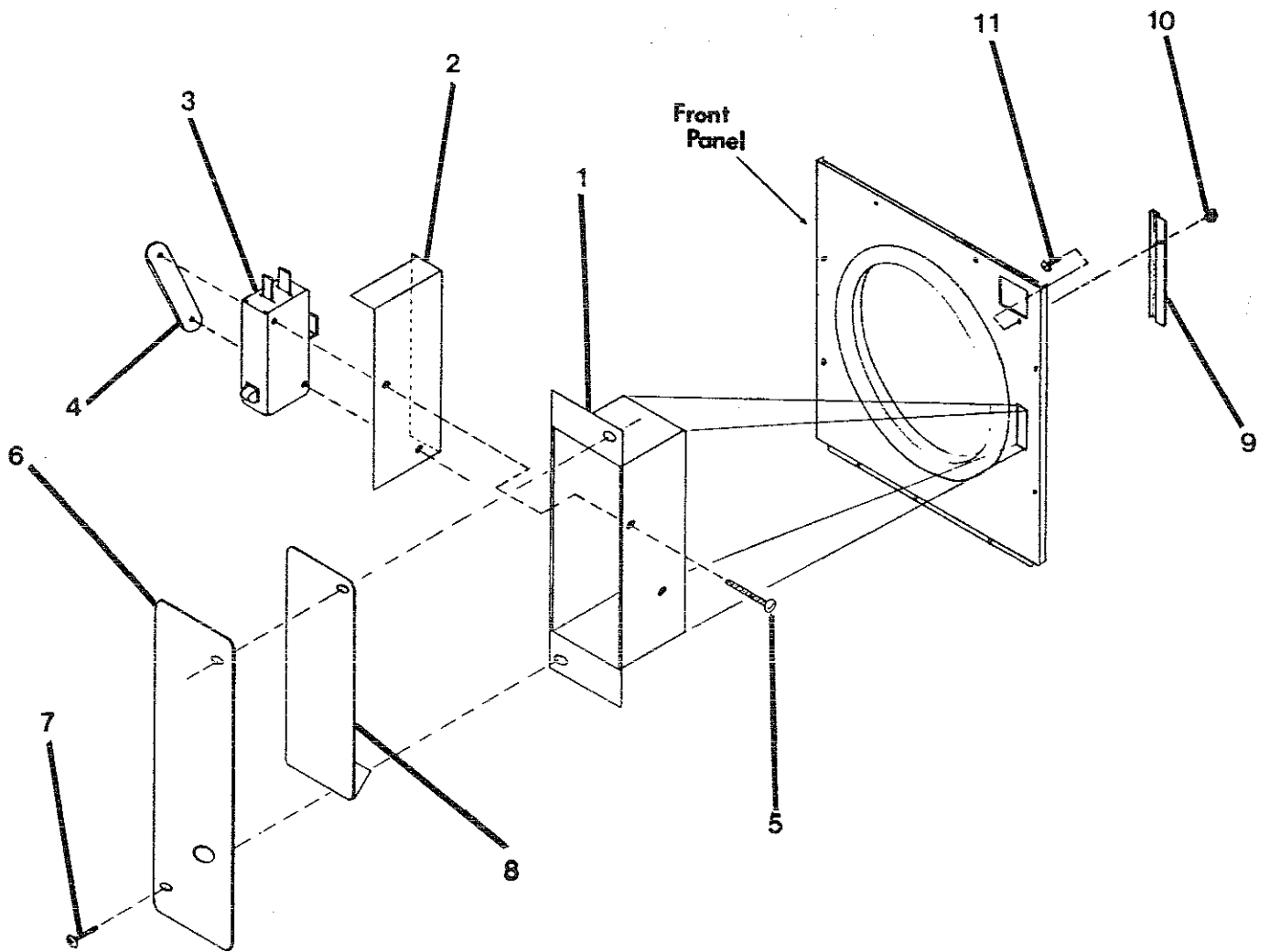
7



CONTROL HOUSING GROUP

Rotary Meter & Manual Timer

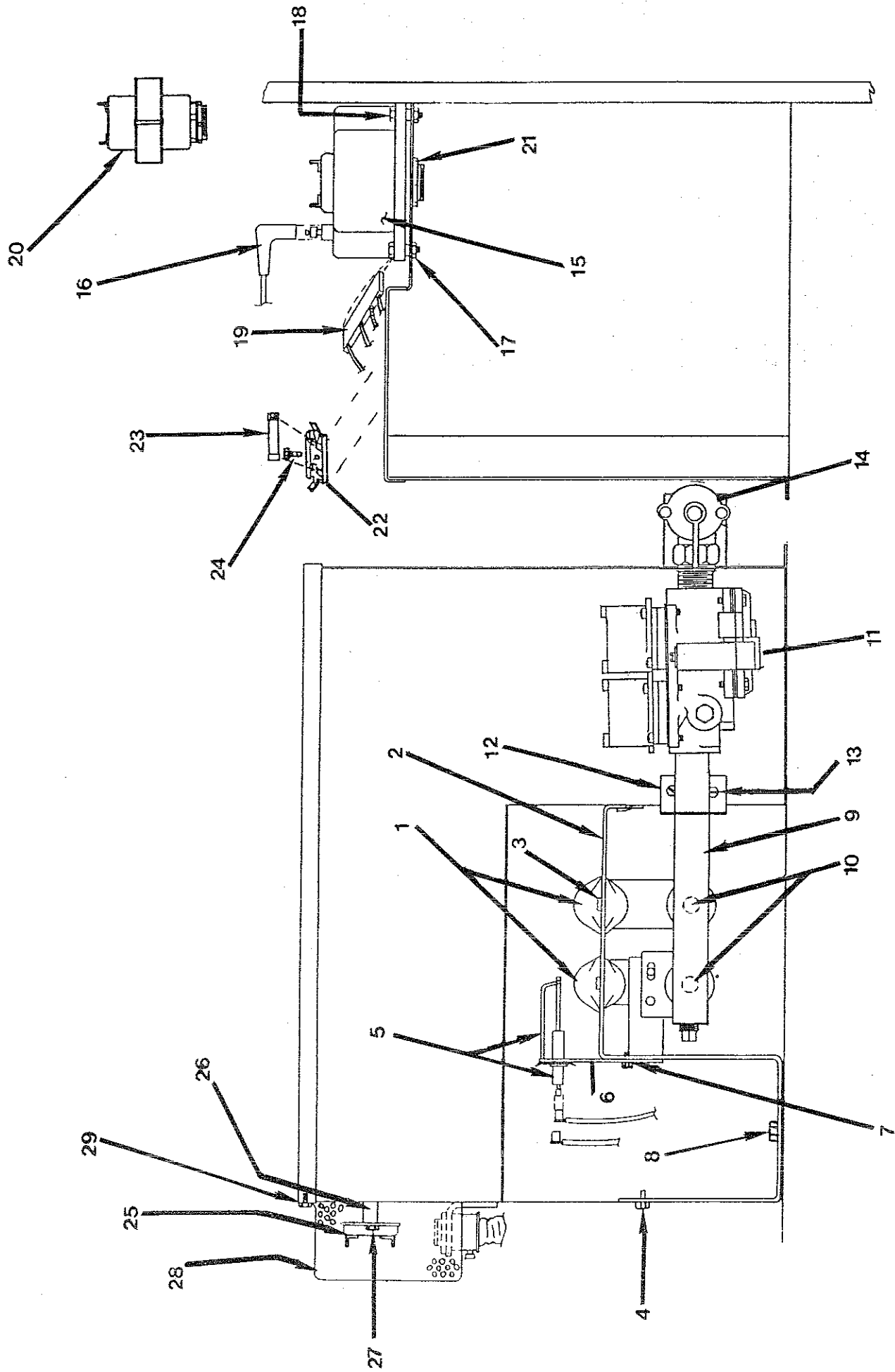
Key	Part Number	Description	
1	9539-460-001	Switch, Push to Start	1
2	8502-641-002	Label, Control Instruction/Warning	1
3	9451-146-005	Pin, Hinge (timer plate)	2
4	9576-206-001	Thermostat..... <i>9576-269-603</i>	1
5	9209-037-002	Grommet, Temperature Cable	4
*	9029-063-001	Bracket	1
*	9083-113-001	Clip, Capillary Tube	3
*	9545-044-004	Screw, Thermostat Mtg.	2
*	9545-045-001	Screw, Bracket	2
6	9348-056-003	Lever, Thermostat	1
7	9307-162-001	Knob, Thermostat	1
*	9545-010-008	Screw, Thermostat Knob.....	1
8	9897-026-001	Terminal Block	1
*	9545-031-004	Screw, Terminal Block Mtg.	2
*	9053-067-001	Bushing, Door Switch Wires	1



DOOR SWITCH GROUP

All Models

Key	Part Number	Description	
1	9041-076-001	Box, Door Switch	1
2	9550-159-001	Shield, Door Switch (insulator)	1
3	9539-461-001	Switch, Door	1
4	8640-401-001	Nut, Special Twin	1
5	9545-020-001	Screw, Door Switch Mtg	2
6	9074-255-001	Cover, Switch Box	1
7	9545-008-002	Screw, Box Cover	2
8	9008-004-001	Actuator, Switch	1
9	6068-041-001	Conduit, Switch Wires	1
10	9545-012-003	Screw, Conduit Mtg	1
11	8640-413-004	Nut, Elastic Stop (for screw above)	1



BURNER HOUSING GROUP

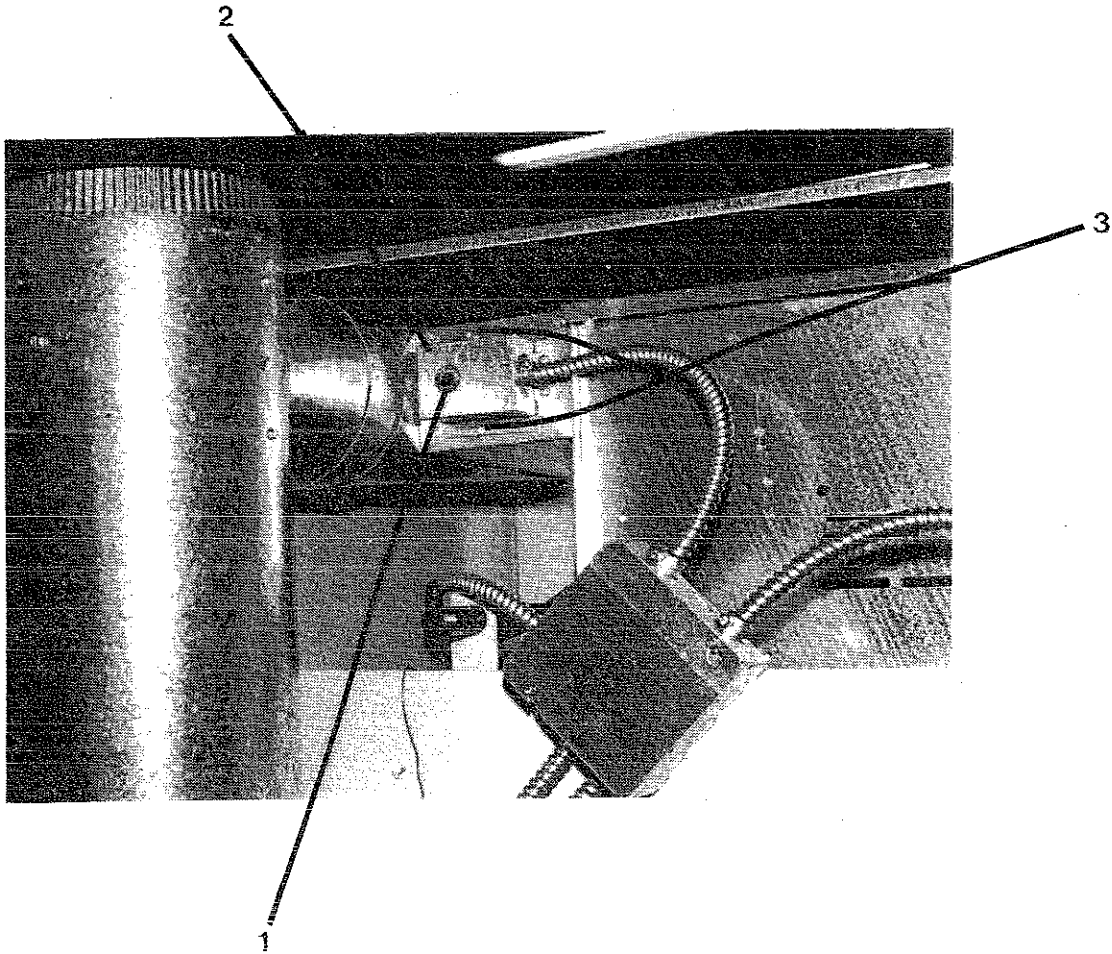
All Models

Key	Part Number	Description	
*	9803-163-002	Housing Assy., Burner	1
*	9918-002-002	Boot Assy., Recirculation	1
1	9048-018-001	Burner, Main	2
2	9548-256-001	Support, Front	1
3	9545-008-008	Screw, Burner to Support	2
4	9545-008-008	Screw, Support Bracket to Housing	1
5	9875-002-002	Electrode Assy., Ignition	1
6	9985-161-001	Bracket Assy., Electrode Mtg	1
*	9545-045-001	Screw, Electrode to Bracket	2
7	9545-008-008	Screw, Bracket to Support	4
8	9545-008-006	Screw, Support Bracket to Deck	1
9	9381-009-001	Manifold, Burner Assy.	1
10	9425-069-002	Orifice, Burner (Natural) #30	2
10	9425-069-003	Orifice, Burner (LP) #48	2
11	9857-117-001	Control Assy., Gas Valve <i>USE 9857-134-001</i>	1
12	9039-915-001	Bracket, Gas Valve Mtg.	1
13	9545-008-003	Screw, Gas Valve Mtg. Bracket	2
14	9379-164-001	Valve, Gas Shut off	1
*	9458-020-001	Pipe, Gas Line	1
15	9857-116-002	Control, Ignition	1
*	9039-981-001	Bracket, Ignition Control Mtg.	1
16	9631-403-001	Wire, Hi Voltage	1
17	8640-411-003	Nut, Control Mtg.	2
18	9545-044-002	Screw, Control Mtg.	2
*	8654-127-001	Clamp, Hi Voltage Wire	4
19	9627-650-001	Harness, Low Voltage Ignition	1
20	8711-002-001	Transformer, Ignition Control	1
21	8640-397-002	Nut, Transformer Mtg.	1
22	9054-045-001	Fuse holder	1
23	8636-018-001	Fuse	1
24	9545-031-005	Screw, Fuse Holder	1
25	9576-203-002	Thermostat, Hi-Limit	1
26	9538-142-001	Spacer, Hi-Limit	2
27	9545-045-007	Screw, Hi-Limit Mtg.	2
28	9074-234-001	Cover, Hi-Limit	1
29	9545-008-006	Screw, Cover Mtg	2
*	9452-615-001	Plate, High-Limit	1
*	9732-075-001	Kit, LP Conversion	1

SAFETY SHUTOFF THERMOSTAT

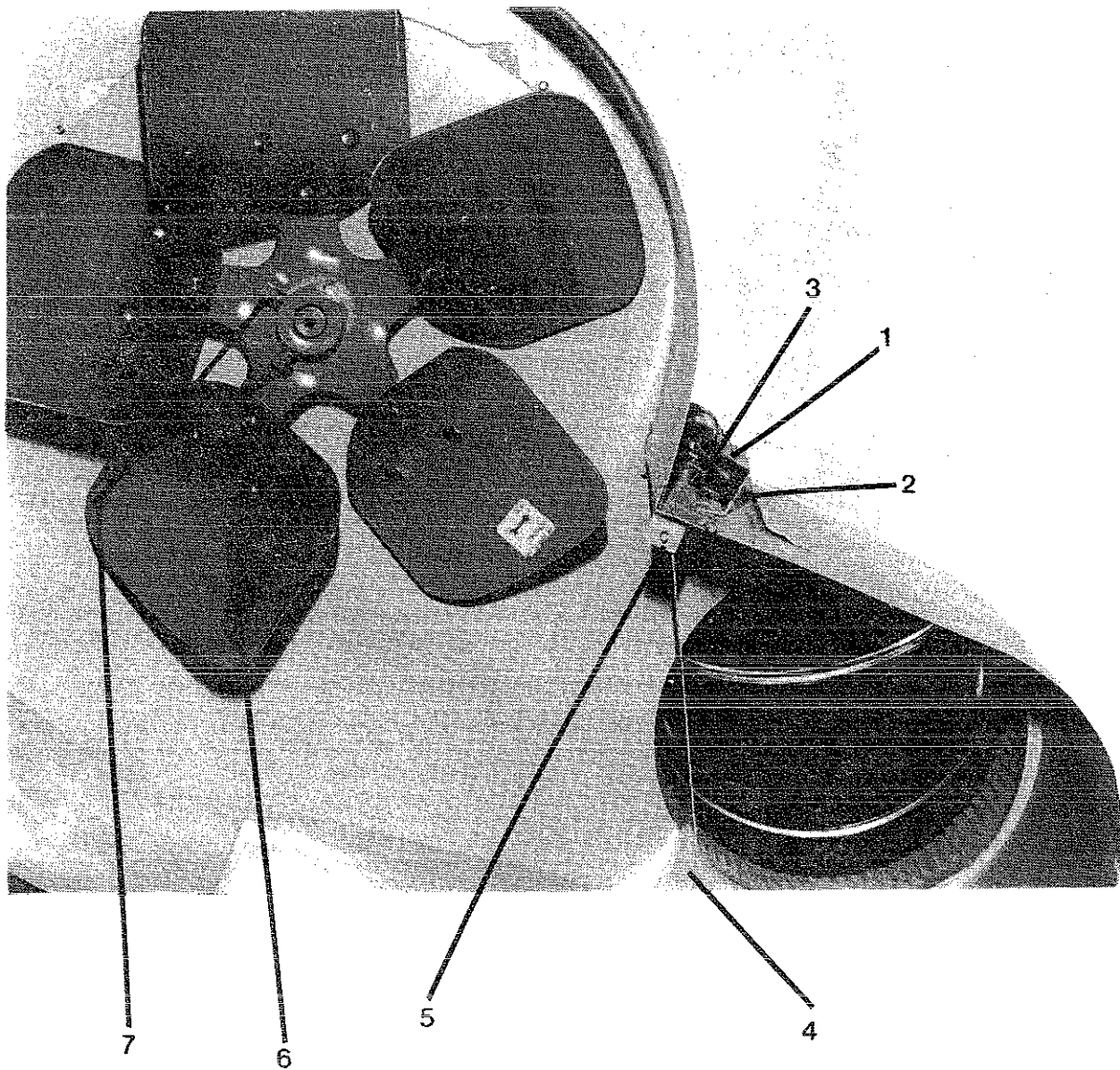
All Models

Key	Part Number	Description	
1	9576-207-002	Thermostat, Safety Shutoff	1
*	9545-045-008	Screw, Safety Stat Mtg	2
2	9825-057-001	Cover, Safety Stat	1
3	9545-008-006	Screw, Safety Stat Cover Mtg	2



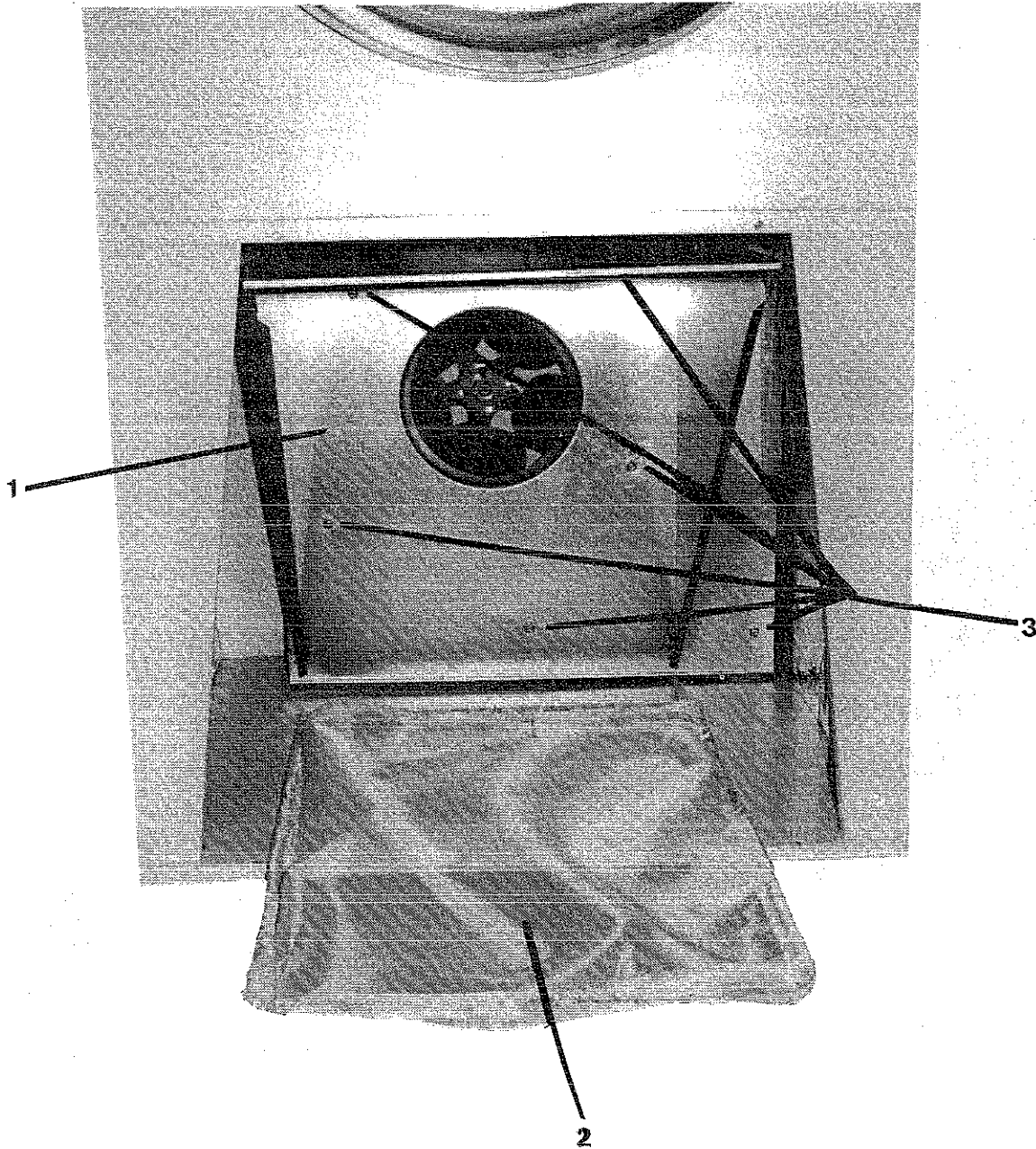
DAMPER SWITCH AND BLOWER IMPELLER GROUP All Models

Key	Part Number	Description	
1	9539-432-001	Switch, Damper	1
2	9545-044-002	Screw, Switch Mtg. & Adj.	3
*	8640-411-003	Nut, Switch Locking	1
3	8640-420-001	Nut, Switch Mtg. (tandem)	1
4	9125-001-001	Damper	1
5	9451-146-001	Pin, Damper	1
*	9074-242-001	Cover, Damper Switch	1
6	9278-037-001	Impeller, Blower	1
7	9545-028-013	Set Screw	2



LINT HOOD AND SCREEN GROUP All Models

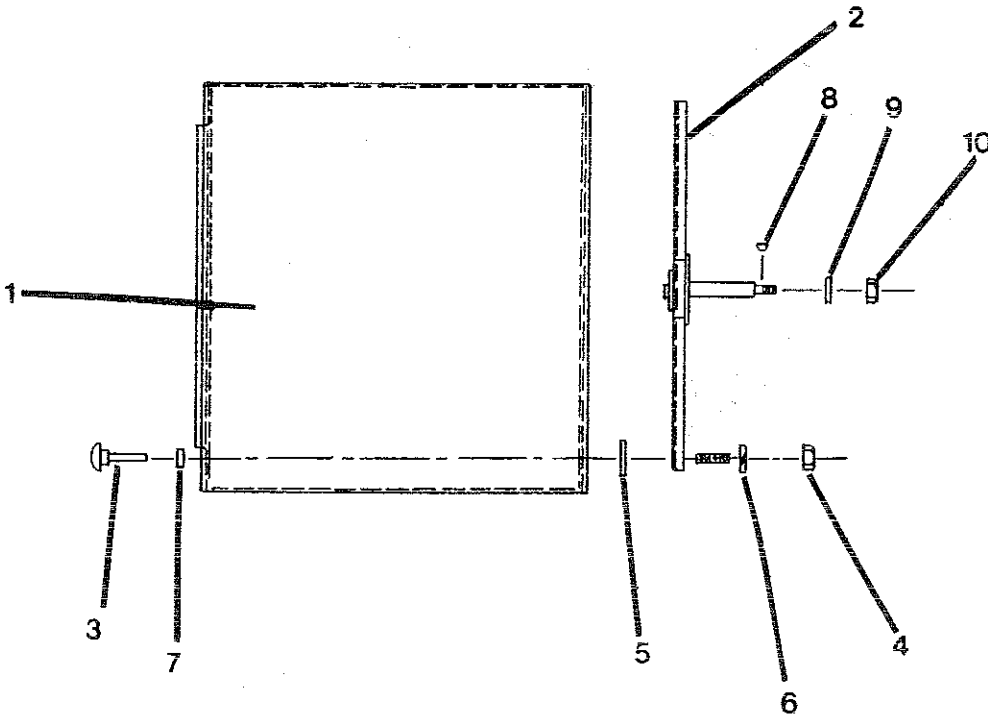
Key	Part Number	Description	
1	9822-027-002	Lint Hood Assy	1
2	9822-026-001	Lint Screen Assy	1
3	8640-412-004	Nut, Lint Hood Mitg	6

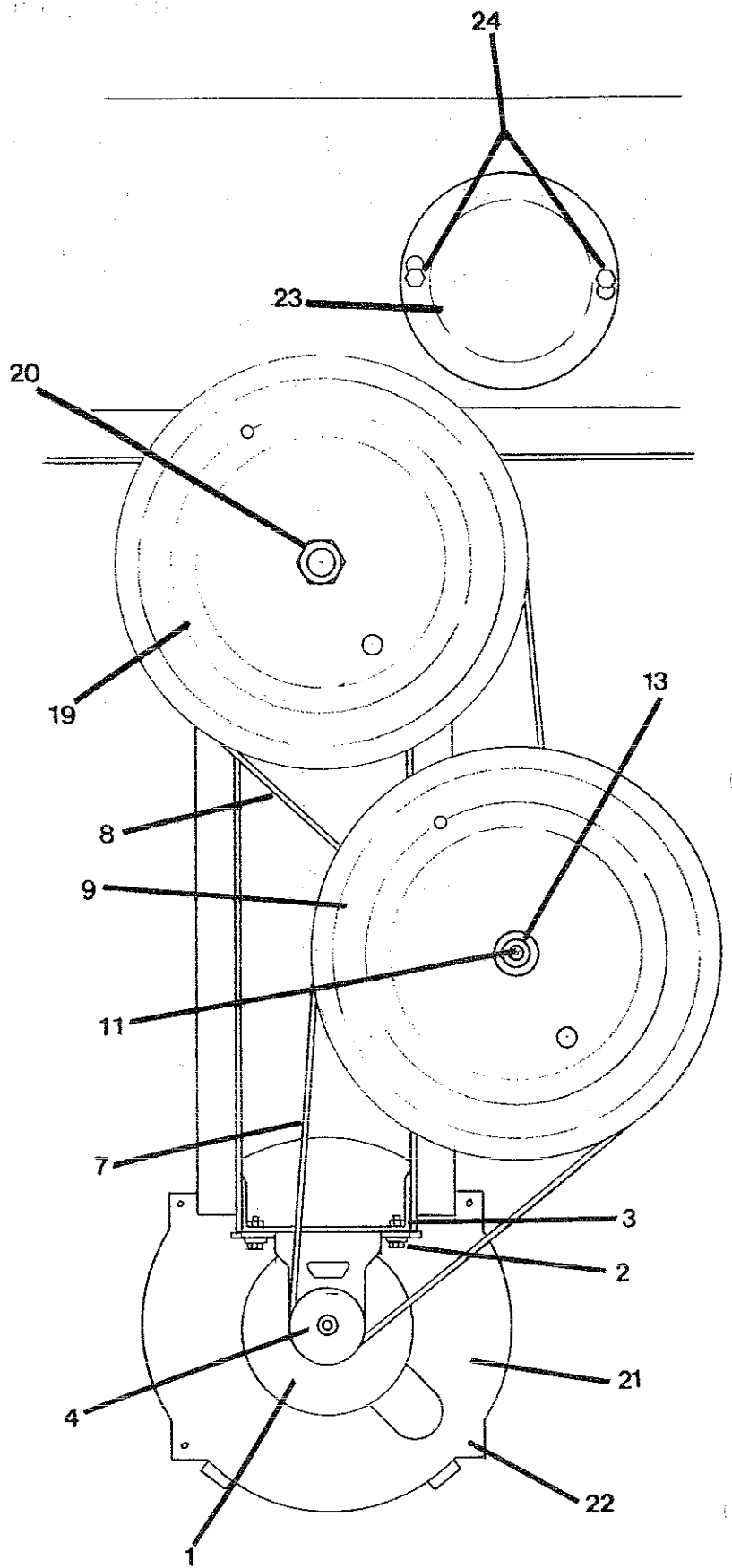
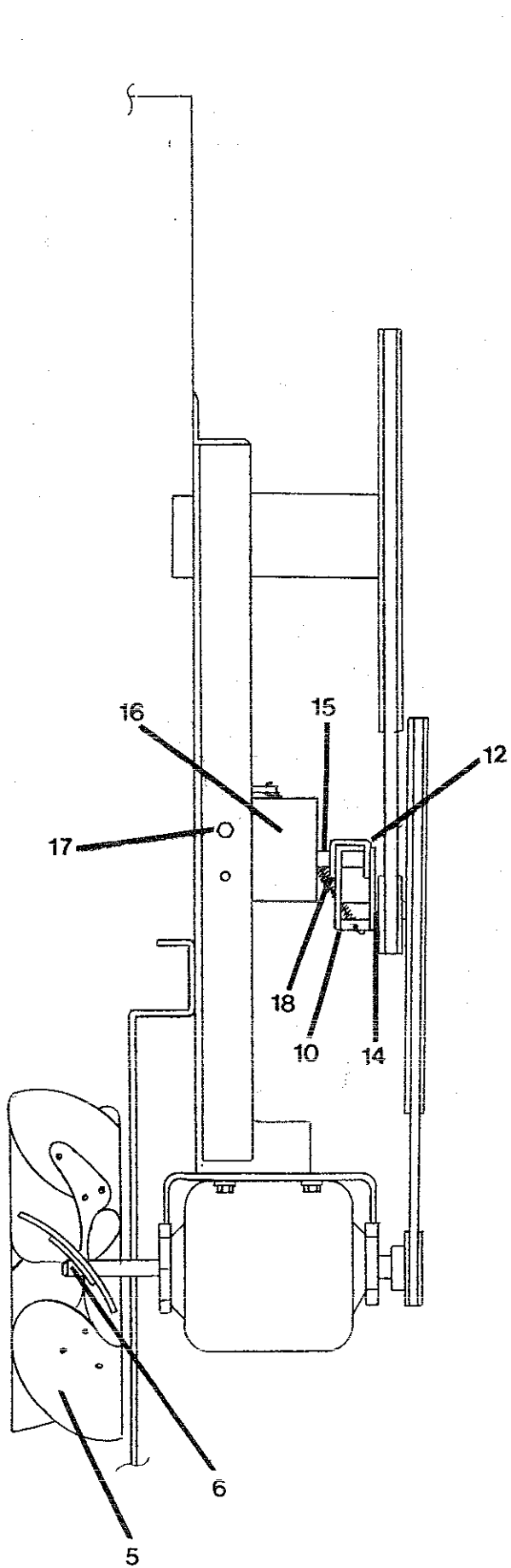


TUMBLER GROUP

All Models

Key	Part Number	Description	
1	9848-101-001	Tumbler Assy	1
2	9568-009-002	Spider & Shaft Assy <i>9568-012-001</i>	1
3	9497-019-001	Rod, Tumbler	3
4	8640-415-001	Nut, Tumbler Rod	3
5	9552-013-000	Shim	AR
6	8641-582-003	Washer, Tumbler Rod (spring lock)	3
7	8641-554-001	Washer, Tumbler Rod (special)	3
8	9306-006-000	Key, Tumbler Shaft	1
9	8641-582-015	Lock Washer, Tumbler Shaft	1
10	8640-222-000	Nut, Tumbler Shaft	1

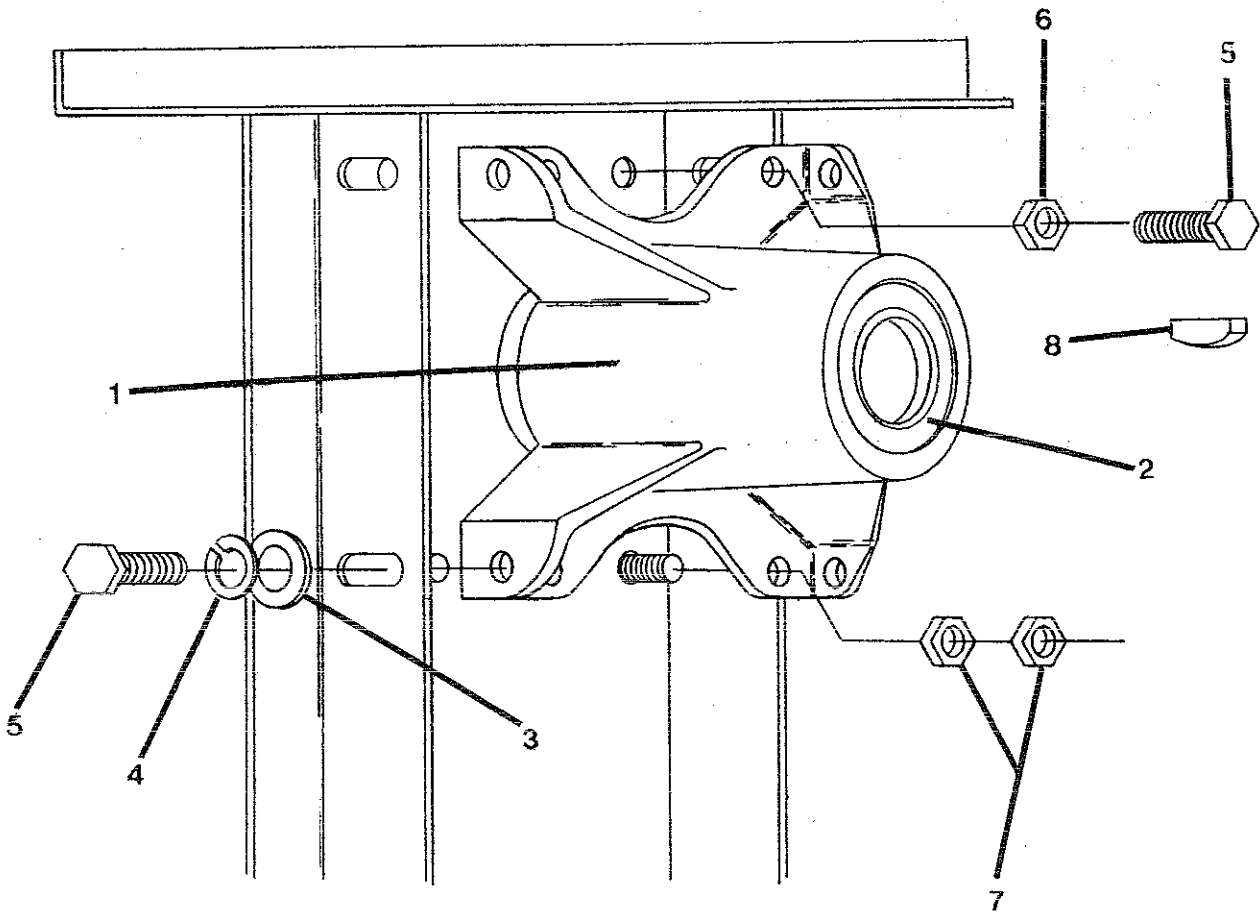




PULLEY, BELT, AND MOTOR GROUP

All Models

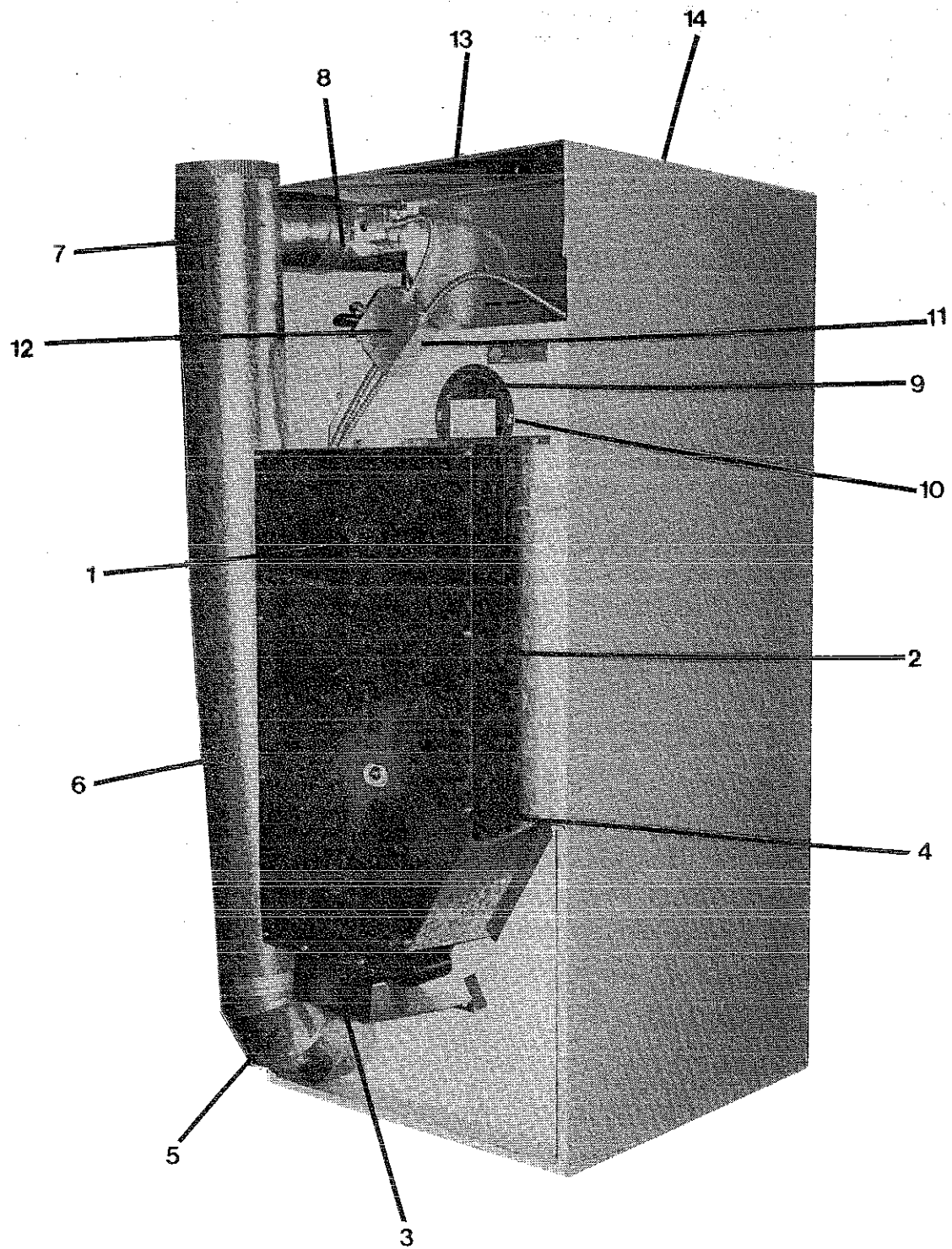
Key	Part Number	Description	
1	9376-259-006	Drive Motor, 115V	1
2	9545-014-004	Bolt, Motor Mtg	4
3	8640-400-003	Nut, Hex	4
4	9453-157-001	Pulley, Motor (60hz)	1
*	9545-028-013	Set Screw	2
5	9278-037-001	Impeller, Blower	1
6	9545-028-013	Set Screw	2
7	9040-073-003	Belt, Motor (narrow) <i>9040-077-002</i>	1
8	9040-073-004	Belt, Tumbler (wide)	1
9	9908-039-001	Pulley Assy., Intermediate	1
*	9036-145-002	Bearing Assy. (included in above)	2
10	9861-015-001	Arm, Tension (short)	1
11	9182-015-001	Fitting, Grease (include in above)	1
12	9861-016-001	Arm, Tension	1
13	9487-200-003	Ring, Retaining	4
14	8641-224-000	Washer, Special	1
15	9451-141-001	Pin, Pivot	1
16	9985-151-001	Bracket Assy., Pivot	1
17	9545-014-005	Bolt, Pivot Bracket	3
*	8640-400-002	Nut, Pivot Bracket	3
18	9534-319-002	Spring, Tension	1
19	9908-040-001	Pulley Assy., Tumbler	1
20	8640-222-000	Nut, Tumbler Shaft	1
*	9306-006-000	Key, Tumbler Shaft	1
21	9074-180-001	Cover, Impeller	1
22	9545-008-001	Screw, Impeller Cover	4
23	9452-253-000	Inspection Plate	1
24	9545-008-006	Screw, Inspection Plate	2



BEARING HOUSING GROUP

All Models

Key	Part Number	Description	
	9803-160-002	Housing Assy., Complete Bearing	1
1	9241-161-001	Housing, Bearing (included in assy.)	1
2	9036-130-001	Bearing, Ball (included in assy.)	2
*	9538-139-001	Spacer, Bearing (included in assy.)	1
3	8641-581-009	Washer, Flat	4
4	8641-582-003	Lock washer	4
5	9545-049-001	Bolt, 3/8 x 1	6
6	8640-415-002	Nut, 3/8	2
7	8640-400-002	Nut, 5/16	4
*	8640-222-000	Nut, Tumbler Shaft	1
8	9306-006-000	Key, Tumbler Shaft	1



REAR PANEL GROUP

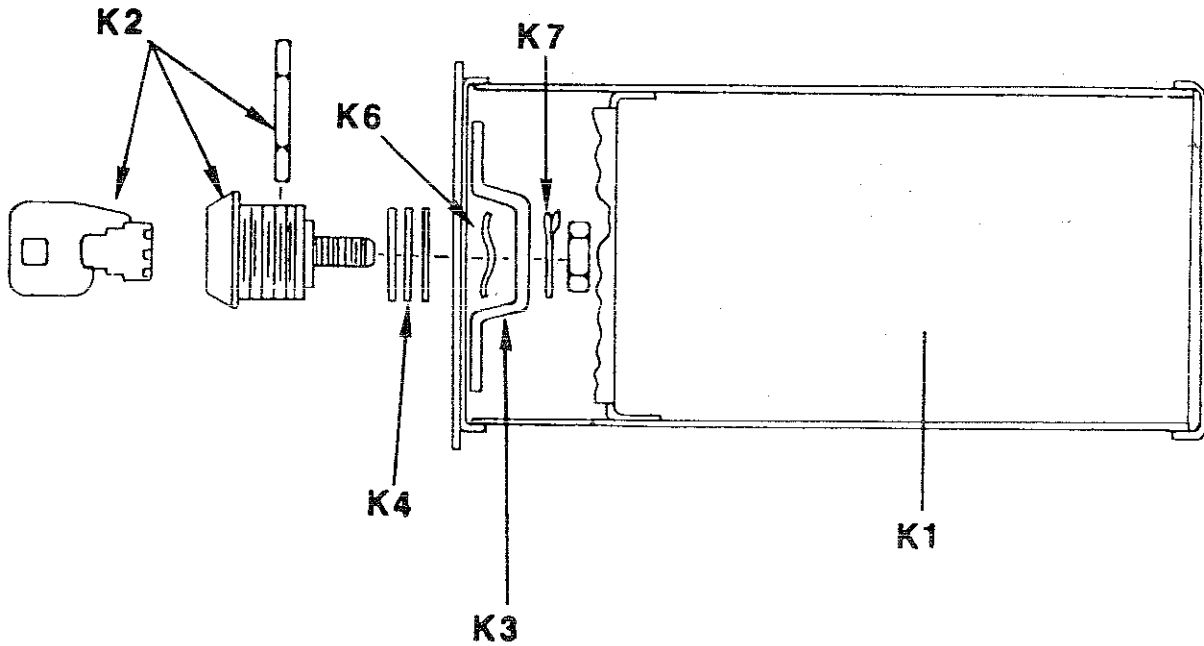
All Models

Key	Part Number	Description	
1	9208-039-001	Guard, Drive	1
*	9454-595-002	Panel, Side Guard (L.H.)	1
2	9454-596-002	Panel, Side Guard (R.H.)	1
3	9550-141-001	Shield, Motor	1
4	9545-008-006	Screw, Guard Panel	21
5	9142-039-001	Elbow, Exhaust (8")	1
6	9109-101-001	Pipe (8")	1
7	9810-018-001	Tee Assy., Recirculating	1
*	9125-002-001	Damper, Backdraft (included in assy.)	1
*	9451-146-002	Pin, Damper (included in assy.)	1
*	8520-141-000	Nut, Spring (included in assy.)	2
*	9545-008-006	Screw, Tee Assy	4
8	9918-002-002	Boot Assy., Recirculation	1
*	9545-008-006	Screw, Recirculation Assy	8
9	9452-253-000	Inspection Plate	1
10	9545-008-006	Screw, Inspection Plate	2
11	8658-012-000	Box, Electrical Junction	1
12	8693-005-000	Cover, Junction Box	1
*	9545-008-006	Screw, Junction Box Mtg	2
*	8640-276-003	Nut, Wire	AR
13	9074-236-001	Cover, Cabinet Top	1
14	9545-008-006	Screw, Cabinet Cover	8

COIN BOX GROUP

Computer & Rotary Meter Only

Key	Part Number	Description	
*	9732-122-001	Kit, Coin Box & Hardware (includes the following)	1
1	9807-077-007	Box Assy., Coin	1
2	9349-033-001	Latch, Coin Box	1
3	8641-581-008	Washer, Latch Spacer (thick)	2
3	8641-581-010	Washer, Latch Spacer (thin)	4
3	8641-569-002	Washer, Wave	1
3	8641-583-001	Washer, Special Keeper	1
4	8650-012-002	Lock, Coin Box (includes key & nut)	1



WIRING GROUP Computer Only

Key	Part Number	Description	
	9627-651-001	Harness, Electronic Control	1
	9627-679-001	Harness, Temperature Sensor	1
	8220-001-224	Wire, Hi-Limit to Junction Box (orange/bk. 41 1/2")	1
	8220-001-352	Wire, Junction Box to Terminal Block (orange/bk. 46")	1
	8653-039-000	Wire Connector, In Line Plastic Insulated	1

WIRING GROUP Rotary Meter & Manual Timer Only

Key	Part Number	Description	
	8220-001-202	Wire, Hi-Limit to Junction Box (red 41 1/2")	1
	9631-381-004	Wire, Terminal Block to Meter (gray 16 1/2")	1
	9631-381-003	Wire, Cycling T-Stat to Meter (red/wh. 20 1/2")	1
	9631-381-001	Wire, Meter Motor to Meter Switch (black twin)	1
	9631-381-002	Wire, Terminal Block to Start Switch (blue)	1
	9631-381-011	Wire, Terminal Block to On Light (black 18")	1

WIRING GROUP

All Models

Key	Part Number	Description	
	8658-012-000	Box, Electrical Junction	1
	8693-005-000	Cover, Junction Box	1
	9545-008-006	Screw, Junction Box Mtg.	2
	8640-276-003	Nut, Wire	AR
	9627-650-001	Harness, Low Voltage Ignition	1
	9631-403-001	Wire, High Voltage Spark	1
	8654-127-001	Clamp, Hi Voltage Wire	4
	8220-001-200	Wire, Motor to Junction Box (red 53 1/2")	1
	8220-001-199	Wire, Motor to Junction Box (white 53 1/2")	1
	9631-382-001	Wire, Motor to Junction Box (blue 53 1/2")	1
	6068-037-011	Conduit, Motor to Junction Box	1
	8220-001-206	Wire, Hi-Limit to Junction Box (brown 41 1/2")	1
	6068-037-007	Conduit, Hi-Limit to Junction Box	1
	8220-001-208	Wire, Damper Switch to Junction Box (gray 67")	1
	8220-034-001	Wire, Damper Switch to Junction Box (brown 67")	1
	6068-037-006	Conduit, Damper Switch to Junction Box	1
	8220-001-225	Wire, Transformer to Fuse (red 9")	1
	8220-001-221	Wire, Door Switch to Terminal Block (black 45")	1
	8220-001-222	Wire, Door Switch to Terminal Block (blue 45")	1
	8220-001-226	Wire, Safety T-Stat to Junction Box (black/white 25 1/2")	1
	8220-001-227	Wire, Safety T-Stat to Junction Box (black 25 1/2")	1
	8220-034-002	Wire, Junction Box to Terminal Block (blue 46 1/2")	1
	8220-001-198	Wire, Junction Box to Terminal Block (white 46 1/2")	1
	9631-382-002	Wire, Junction Box to Terminal Block (gray 45 1/2")	1
	8220-001-219	Wire, Junction Box to Terminal Block (black 56")	1
	6068-037-010	Conduit, Junction Box to Control Housing	1
	8220-001-220	Wire, Junction Box to Run Relay (red 56")	1
	2114-008-000	Bushing, Anti Short (1 required for each end of conduit)	2
	8653-068-003	Connector, (1 required for each end of conduit)	2

SECTION 7

TROUBLE SHOOTING GUIDE

PROBLEM	PROBABLE CAUSE	REMEDY
Tumbler does not turn DLC30 (computer)	1. Electronic Control	Check motor run relay for 120 volt output
	2. Coin Acceptor Switch	Check normally open switch for continuity when actuated
	3. Wire Connections between coin acceptor, electronic control and motor	Check for loose or broken wires
	4. Push-Start Switch	Check for inoperative membrane switch
DLR30 (rotary & manual)	5. Coin Meter Switch	Check coin meter switch (A)
	6. Push-Start Switch	Check for continuity when depressed
	7. Wire connections between push-start switch, coin meter and motor	Check for loose or broken wires
All Dryers	8. Loading Door	Close door completely
	9. Door Switch	Adjust or replace switch
	10. Drive Belts	Check both drive belts
	11. Over temperature Safety Thermostat	Reset manually by pushing in red button
	12. Drive Motor	Check capacitor and motor. Vacuum lint out of motor.
Tumbler turns but no spark at burner DLC30 (computer)	1. Electronic Control	Check gas relay for 120 volt output
	2. Temperature Sensor (F1 or F2 in display)	see Service Procedures section to trouble shoot Temp. Sensor
DLR30 (rotary and manual)	3. Cool Down Switch	Check cool down switch (B) for continuity (0 ohms resistance) when actuated
	4. Thermostat	Check thermostat switch for continuity (0 ohms resistance) when cold
All Dryers	5. Glass Fuse	Check glass control fuse
	6. Ignition Transformer	With dryer operating the secondary of the transformer should have 24 volts AC
	7. Ignition Control	Try another control
	8. Damper Switch (air flow switch)	Raise the damper arm and the switch should have continuity (0 ohms resistance)
	9. High Limit Thermostat	Check thermostat for continuity (0 ohms resistance) when cold
	10. Spark Ignition Module	see Service Procedures for testing

PROBLEM	PROBABLE CAUSE	REMEDY
Tumbler turns but no spark at burner (cont'd)	11. Spark Electrode Gap 12. Improper Ground 13. Spark Ignition Locked Out	Gap should be 1/8" Clean terminals and replace yellow grounding wires Open loading door to reset wait 10 seconds and try again
Tumbler turns—ignition sparks—no flame		
All Dryers	1. Gas Supply 2. Gas Pressure 3. Spark Electrode 4. Gas Valve 5. Loose or Broken Wire	Make sure gas supply is working Make manometer check of gas pressure Check electrode for damage to electrode or mtg. Check coil continuity Check wire connections between spark ignition module and valve
Slow drying		
DLC30 (computer)	1. Temperature 2. Temperature Sensor Failure	Check computer for correct programmed temperature Computer will display F1 or F2 failure code
DLR30 (rotary & manual)	3. Temperature Setting 4. Thermostat Out of Adjustment	Check thermostat lever for correct positioning -- left is low heat and right is high heat see Service Procedures section for thermostat adjustment
All Dryers	5. Air flow restrictions A. Lint screen B. Exhaust C. Damper D. Make-Up Air 6. High Limit Thermostat Failure	Clean screen Check complete exhaust system Check backdraft damper in exhaust Inadequate -- each dryer requires 1 sq. ft. of make-up air Check thermostat for continuity (0 ohms resistance) when cold
Erratic display		
DLC30 (computer)	1. Initial Start Up 2. Grounding 3. Program 4. Voltage spike	If erratic on initial start up, leave power on for approximately one hour and check machine operation again Machine must be grounded by separate conductor back to neutral bar in breaker box Check program and make corrections if necessary Power down machine for 20 seconds and then power up. If no better replace control

SECTION 8

PREVENTATIVE MAINTENANCE INSTRUCTIONS

WEEKLY

1. Clean lint screen and compartment. Use soft brush if necessary.
Failure to do so will slow drying and increase gas usage and temperatures throughout the dryer.
2. Check lint screen for tears. Replace if necessary.

MONTHLY

1. Check the end bells of the drive motor for lint accumulation and clean if necessary.
2. Check the lint screen compartment for lint accumulation and clean if necessary.
3. Check for lint and dirt accumulation on top of the dryer and all area above, and around the burners and burner housing. Clean where necessary. Failure to keep this portion of the dryer clean can lead to a build-up of lint creating a fire hazard.
4. Place a few drops of light oil on top and bottom pivots of the clothes door hinge.
5. Grease bearings and shaft of intermediate drive pulley.

QUARTERLY

1. Check belts for looseness, wear or fraying.
2. Inspect gasket of door glass for excessive wear.
3. Check tightness of all fasteners holding parts to rear support channel.
4. Check tightness of tumbler shaft retaining nut.
5. Check for lint accumulation in primary air ports in burners and clean if necessary.
6. Grease pivot pins and tension arms where in contact with each other.

SEMI-ANNUALLY

1. Check and clean main burners if necessary.
2. Check all orifices and examine for dirt and hole obstruction.
3. Check the interior of the dryer for lint accumulation.

ANNUALLY

1. Check intermediate pulley bearings for wear.
2. Check and remove any lint accumulation from exhaust system.

