

# PARTS LIST

for



## COMMERCIAL AUTOMATIC WASHER

MODEL NO.(S)

**CHW8990XW0**



FOR CUSTOMER SATISFACTION ALWAYS USE  
FACTORY SPECIFICATION PARTS



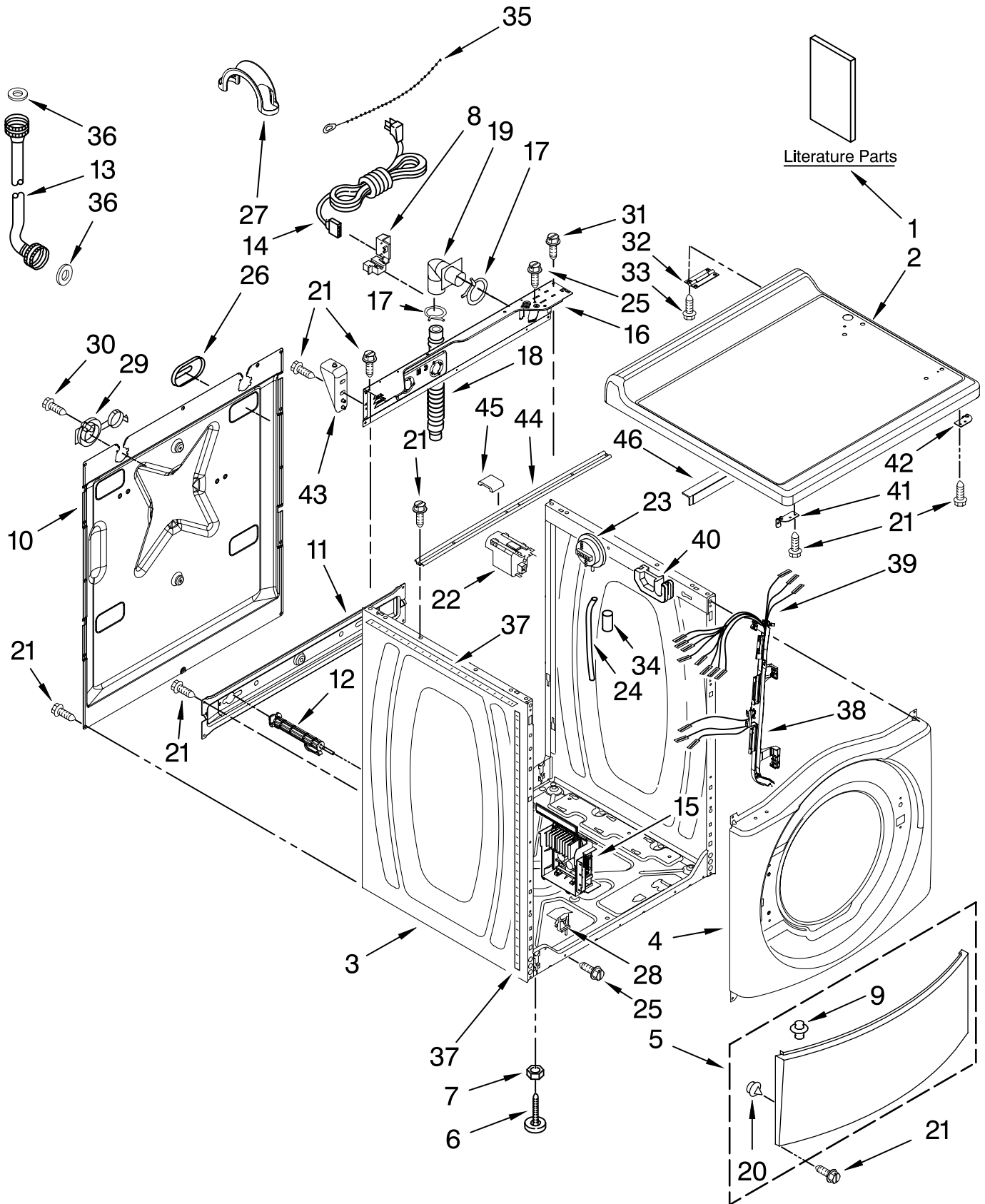
**Whirlpool** CORPORATION

Benton Harbor, Michigan.

# TOP AND CABINET PARTS

For Model: CHW8990XW0

(White)



FOR ORDERING INFORMATION REFER TO PARTS PRICE LIST

# TOP AND CABINET PARTS

For Model: CHW8990XW0

(White)

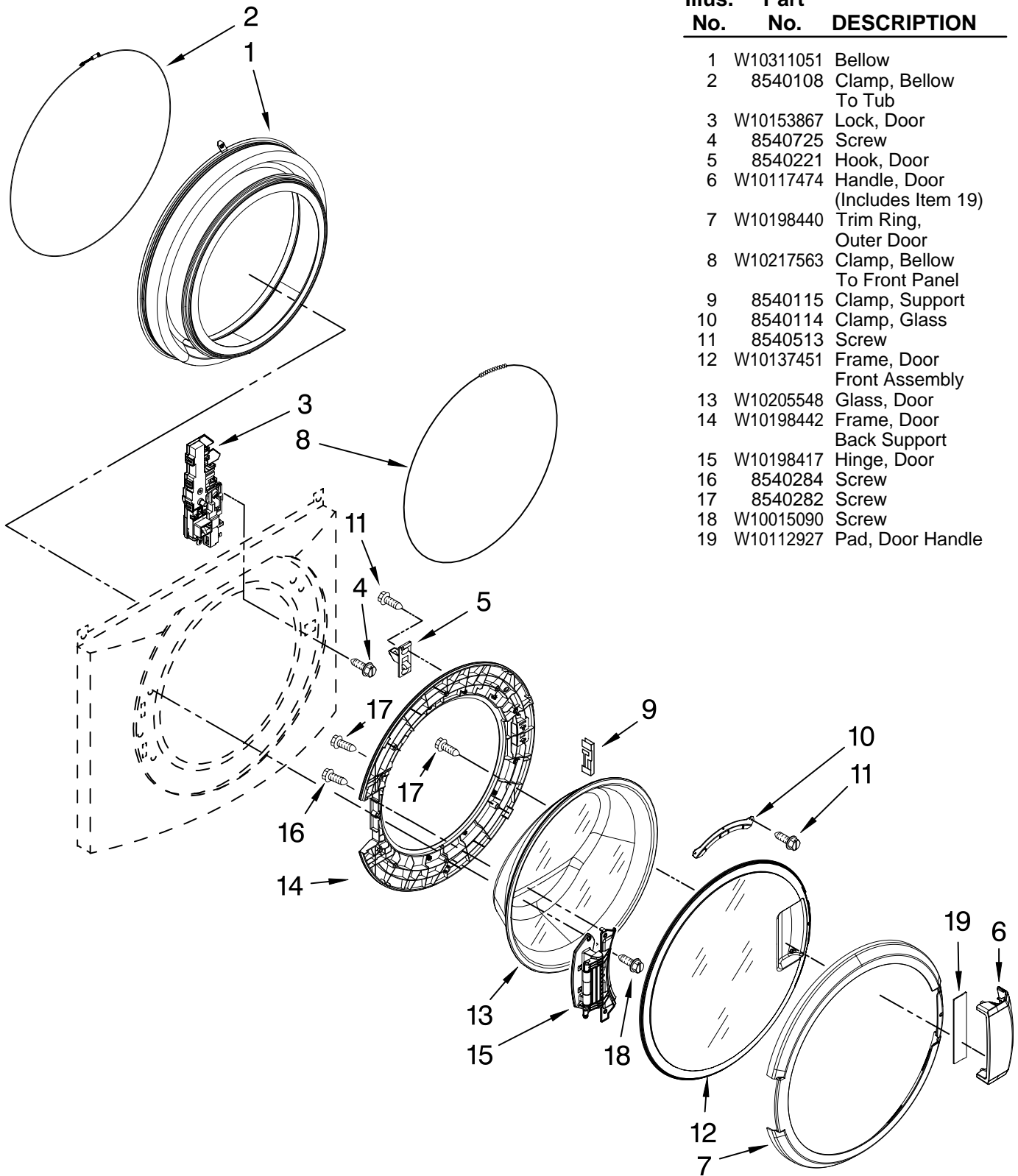
| Illus. No. | Part No.  | DESCRIPTION        | Illus. No. | Part No.  | DESCRIPTION       | Illus. No. | Part No.  | DESCRIPTION        |
|------------|-----------|--------------------|------------|-----------|-------------------|------------|-----------|--------------------|
| 1          |           | Literature Parts   | 16         | W10244560 | Brace, Rear       | 36         | 3976300   | Washer, Water      |
|            | W10341085 | Installation       | 17         | 356138    | Clamp, Hose       |            |           | Inlet Hose         |
|            |           | Instructions       | 18         | W10106460 | Hose, Drain-      |            |           | 1-1/16 x 5/8       |
|            |           | Tech Sheet         |            |           | Outer             | 37         | 8318396   | Seal, Foam-IEC     |
|            | W10311069 | English            | 19         | W10003260 | Connector,        | 38         | W10168546 | Harness Channel,   |
|            | W10311071 | French             |            |           | Hose Outlet       |            |           | Side Front         |
|            | W10353872 | Repair Parts List  | 20         | 238614    | Bumper            | 39         | W10298334 | Harness, Wiring    |
| 2          | W10137411 | Top                | 21         | W10015090 | Screw, 8-18 x 5/8 |            |           | (Lower Main)       |
| 3          | W10225458 | Cabinet            | 22         | W10355868 | Filter,           |            |           | Includes Item 38   |
| 4          | W10306505 | Panel, Front       |            |           | Interference      |            |           | And The Following  |
| 5          | 8540813   | Toe Panel          | 23         | W10292407 | Switch, Pressure  |            |           | Cable Sets:        |
| 6          | W10245373 | Foot, Leveling     | 24         | 8540294   | Hose, Pressure    |            |           | (Not Illustrated)  |
| 7          | 3359452   | Nut, Lock          |            |           | Switch            |            | W10253050 | CCU To MCU-Power   |
| 8          | W10110676 | Strain Relief,     | 25         | 8540479   | Screw, Grounding  |            |           | (2 Pole)           |
|            |           | Power Cord         | 26         | 8540268   | Cover, Transport  |            | W10253054 | CCU TO MCU-Serial  |
| 9          | 8518891   | Rivet              | 27         | 8577378   | U-Bend,           |            |           | Communication      |
| 10         | W10258342 | Panel, Rear        |            |           | Drain Hose        |            |           | (3 Pole)           |
| 11         | W10189659 | Brace, Transport   | 28         | W10085220 | Microswitch       |            | 8540205   | Door Lock - Power  |
| 12         | W10251449 | Bolt, Shipping     | 29         | 8540728   | Sleeve,           | 40         | 8540643   | Bracket, Spring    |
| 13         |           | Hose, Water Inlet  |            |           | Cord Support      | 41         | W10137445 | Bracket - Top      |
|            | W10194208 | Cold Water         | 30         | 8540727   | Screw, 3 x 8 mm   |            |           | Panel, Left        |
|            | 8571378   | Hot Water          | 31         | 8540329   | Screw             | 42         | W10137444 | Bracket - Top      |
| 14         | W10205500 | Cord, Power        | 32         | 8565018   | Hinge & Pin       |            |           | Panel, Right       |
| 15         | W10326465 | Motor Control Unit |            |           | Assembly          | 43         | W10137398 | Stop - Top Panel   |
|            |           |                    | 33         | 342055    | Screw, 8-18 X 1/2 | 44         | 8540721   | Brace, Top         |
|            |           |                    | 34         | 2161302   | Sleeve, Pressure  | 45         | 8283273   | Damper, Brace      |
|            |           |                    |            |           | Switch Hose       | 46         | W10279059 | Angle, Support-Top |
|            |           |                    | 35         | 3347868   | Cable Tie         |            |           |                    |

FOR ORDERING INFORMATION REFER TO PARTS PRICE LIST

# DOOR AND LATCH PARTS

For Model: CHW8990XW0

(White)



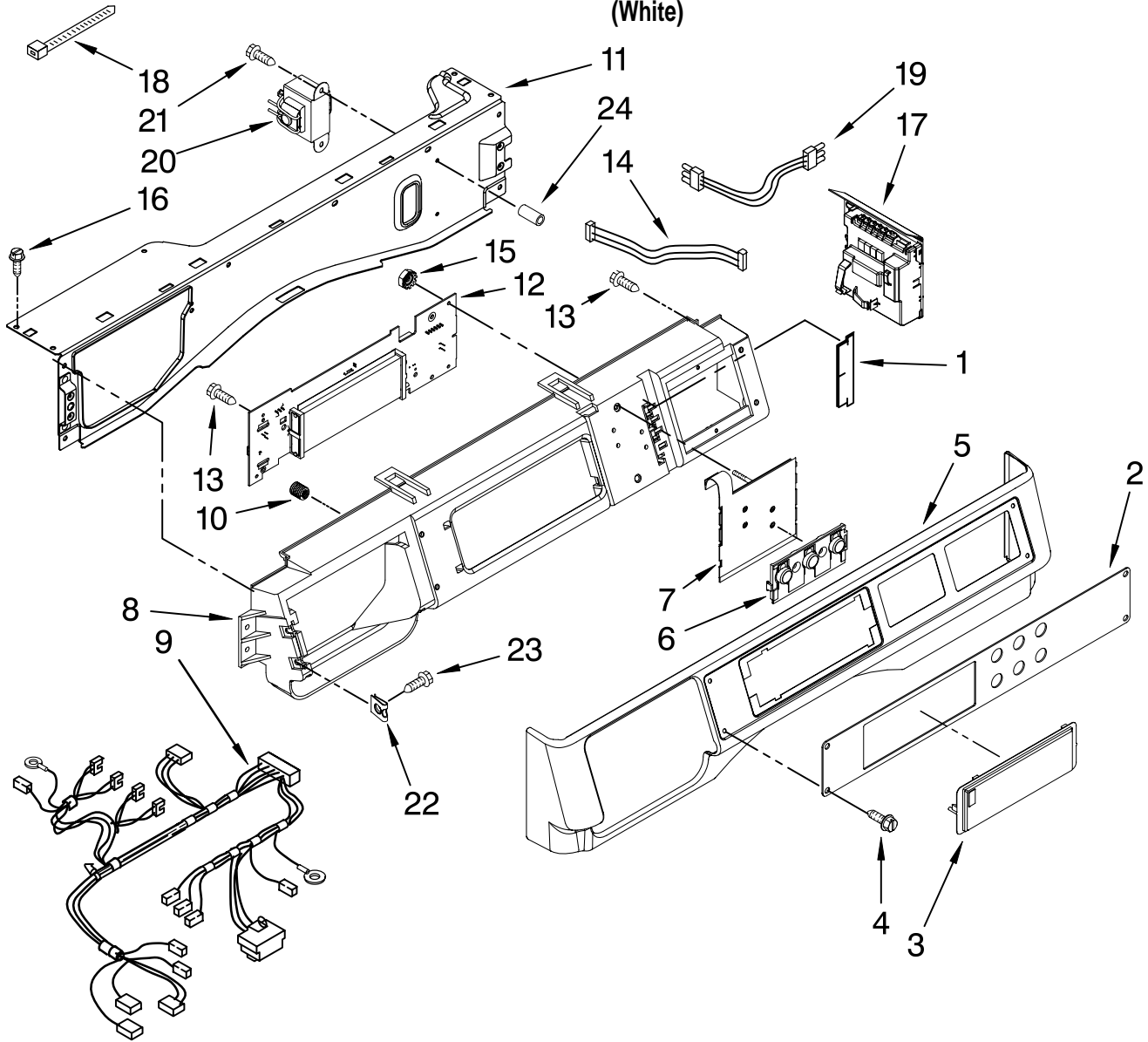
| Illus. No. | Part No.  | DESCRIPTION                     |
|------------|-----------|---------------------------------|
| 1          | W10311051 | Bellow                          |
| 2          | 8540108   | Clamp, Bellow To Tub            |
| 3          | W10153867 | Lock, Door                      |
| 4          | 8540725   | Screw                           |
| 5          | 8540221   | Hook, Door                      |
| 6          | W10117474 | Handle, Door (Includes Item 19) |
| 7          | W10198440 | Trim Ring, Outer Door           |
| 8          | W10217563 | Clamp, Bellow To Front Panel    |
| 9          | 8540115   | Clamp, Support                  |
| 10         | 8540114   | Clamp, Glass                    |
| 11         | 8540513   | Screw                           |
| 12         | W10137451 | Frame, Door Front Assembly      |
| 13         | W10205548 | Glass, Door                     |
| 14         | W10198442 | Frame, Door Back Support        |
| 15         | W10198417 | Hinge, Door                     |
| 16         | 8540284   | Screw                           |
| 17         | 8540282   | Screw                           |
| 18         | W10015090 | Screw                           |
| 19         | W10112927 | Pad, Door Handle                |

FOR ORDERING INFORMATION REFER TO PARTS PRICE LIST

# CONTROL PANEL PARTS

For Model: CHW8990XW0

(White)



| Illus. No. | Part No.  | DESCRIPTION                     |
|------------|-----------|---------------------------------|
| 1          | W10187276 | Seal, Console                   |
| 2          | W10137440 | Facia / Overlay                 |
| 3          | W10267645 | Cover, Display                  |
| 4          | W10137457 | Screw, 8-32 X 1/2               |
| 5          | W10137458 | Console, Outer                  |
| 6          | W10137455 | Push Button                     |
| 7          | W10135255 | Switch, Membrane & Backer Plate |
| 8          | W10137426 | Console, Inner                  |

| Illus. No. | Part No.  | DESCRIPTION   |
|------------|-----------|---|
| 9          | W10298333 | Harness, Wiring (Upper Main) Includes The Following Cable Sets: (Not Illustrated) |
|            | W10179481 | Coin Drop To CCU (4 Pole)   |
|            | W10232996 | CCU To Cold Fill Valve (3 Pole)   |
|            | W10232997 | CCU To Hot Fill Valve (2 Pole)  |
| 10         | W10189313 | Insert  |
| 11         | W10294428 | Bracket, Console  |
| 12         | W10311190 | User Interface  |

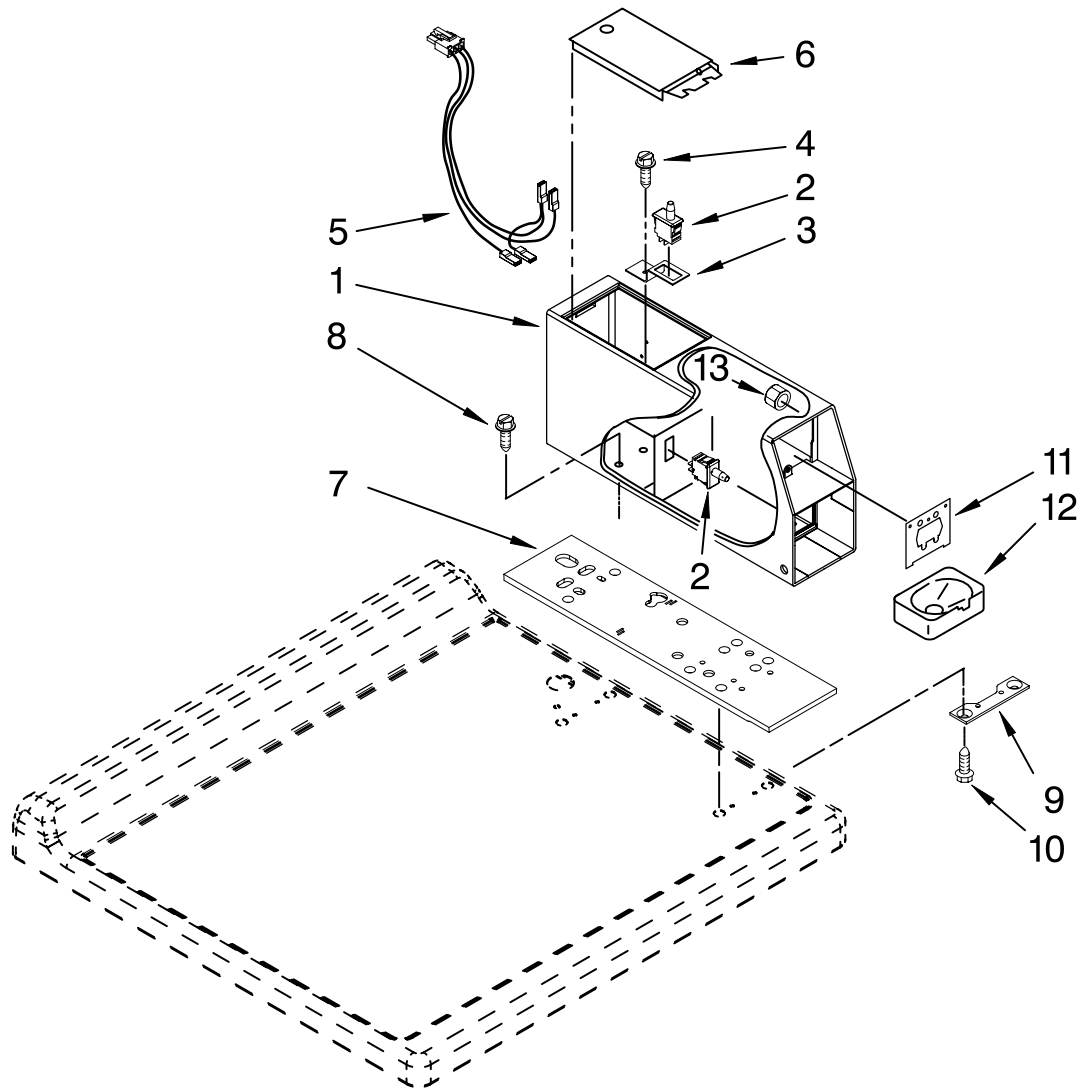
| Illus. No. | Part No.  | DESCRIPTION                    |
|------------|-----------|--------------------------------|
| 13         | 489136    | Screw, 3-24 X 3/8              |
| 14         | W10155150 | Harness, Test                  |
| 15         | W10139046 | Nut 6-32                       |
| 16         | W10015090 | Screw, 8-18 X 5/8              |
| 17         | W10311060 | Microcomputer, Machine Control |
| 18         | 3429563   | Cable Tie                      |
| 19         | W10299342 | Harness, Wiring (Console UIC)  |
| 20         | W10131839 | Transformer 120 To 22.5 VAC    |
| 21         | 8540329   | Screw, 8-18 X 7/16             |
| 22         | 9781235   | Nut, U-Type                    |
| 23         | W10131119 | Screw, 8-18 x 1/2              |
| 24         | W10018050 | CAPLUG                         |

FOR ORDERING INFORMATION REFER TO PARTS PRICE LIST

# METER CASE PARTS

For Model: CHW8990XW0

(White)



| Illus. No. | Part No.  | DESCRIPTION                  |
|------------|-----------|------------------------------|
| 1          | W10171132 | Meter Case                   |
| 2          | W10131838 | Switch, Vault & Service Door |
| 3          | W10133508 | Bracket, Service Switch      |
| 4          | W10139210 | Screw, 8-18 x 5/16           |
| 5          | W10211244 | Wire Harness, Sensor Switch  |

| Illus. No. | Part No.  | DESCRIPTION                |
|------------|-----------|----------------------------|
| 6          | 3351136   | Service Door Assembly      |
| 7          | W10137448 | Cushion, Meter Case        |
| 8          | 3349065   | Screw, 5/16-24 x 1         |
| 9          | 3347825   | Plate, Meter Case Mounting |
| 10         | 98445     | Screw, 10-16 x 3/4         |

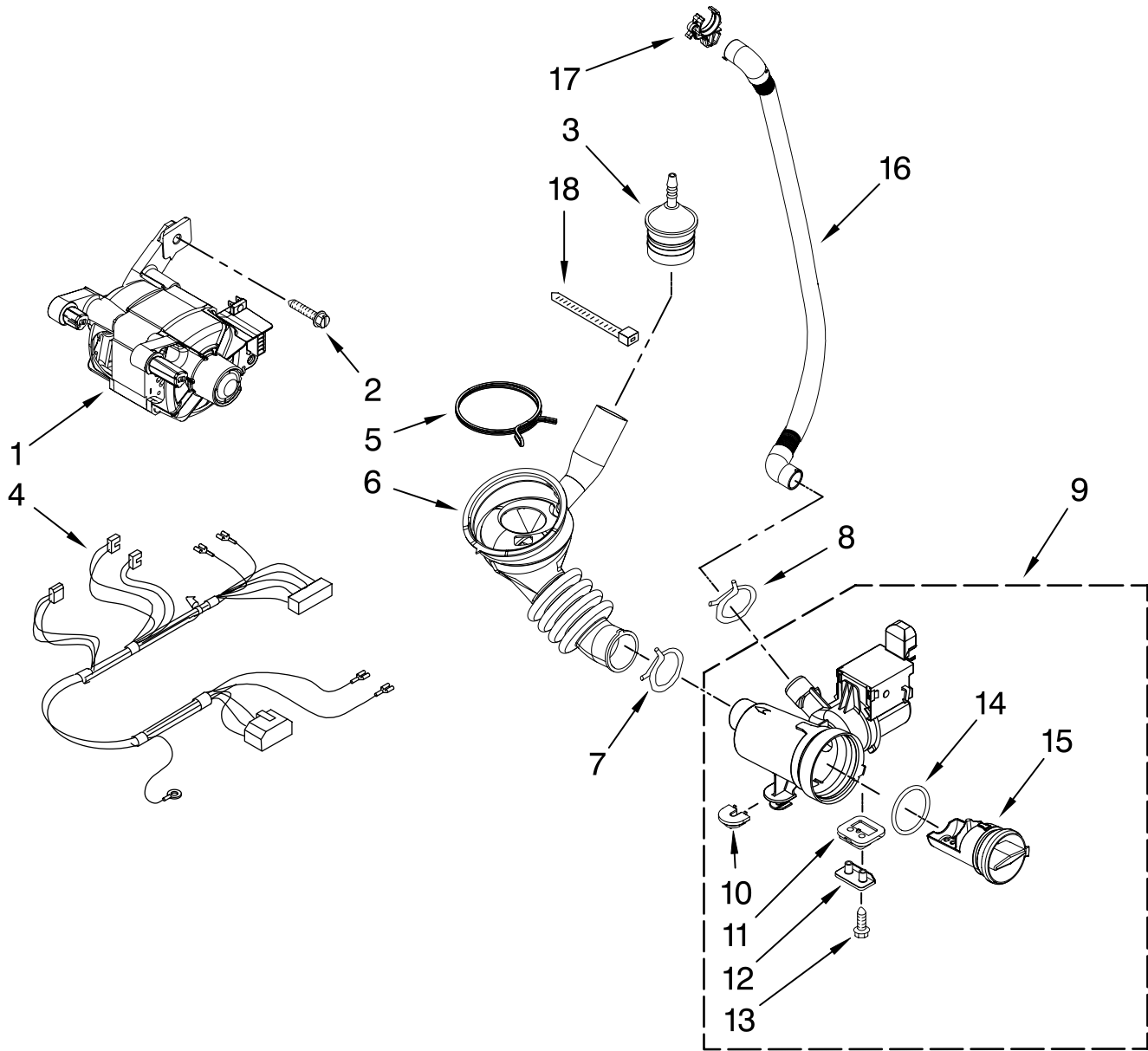
| Illus. No.                  | Part No. | DESCRIPTION  |
|-----------------------------|----------|--|
| Optional Parts Not Included |          |  |
| 11                          | 3954761  | Plate, Chute Adapter Assembly (Includes Items 12 & 13) |
| 12                          | 385421   | Funnel, Coin   |
| 13                          | 3400029  | Nut, Adapter Plate                                     |

FOR ORDERING INFORMATION REFER TO PARTS PRICE LIST

# PUMP AND MOTOR PARTS

For Model: CHW8990XW0

(White)



| Illus. No. | Part No.  | DESCRIPTION       |
|------------|-----------|-------------------|
| 1          | W10171927 | Motor, Drive      |
| 2          | 8540134   | Bolt, Motor       |
| 3          | 8540180   | Air Trap          |
| 4          | W10201879 | Harness, Motor    |
| 5          | 8181734   | Clamp             |
| 6          | 8540012   | Hose, Tub to Pump |

| Illus. No. | Part No.  | DESCRIPTION           |
|------------|-----------|-----------------------|
| 7          | 370448    | Clamp, Hose           |
| 8          | 356138    | Clamp, Drain Hose     |
| 9          | W10130913 | Pump (Complete)       |
| 10         | W10034820 | Foot, Rubber (Slider) |
| 11         | W10034830 | Foot, Rubber (Lock)   |
| 12         | 8540033   | Cap, Lock Foot        |
| 13         | 8533964   | Screw, 10-16 x 1.25   |

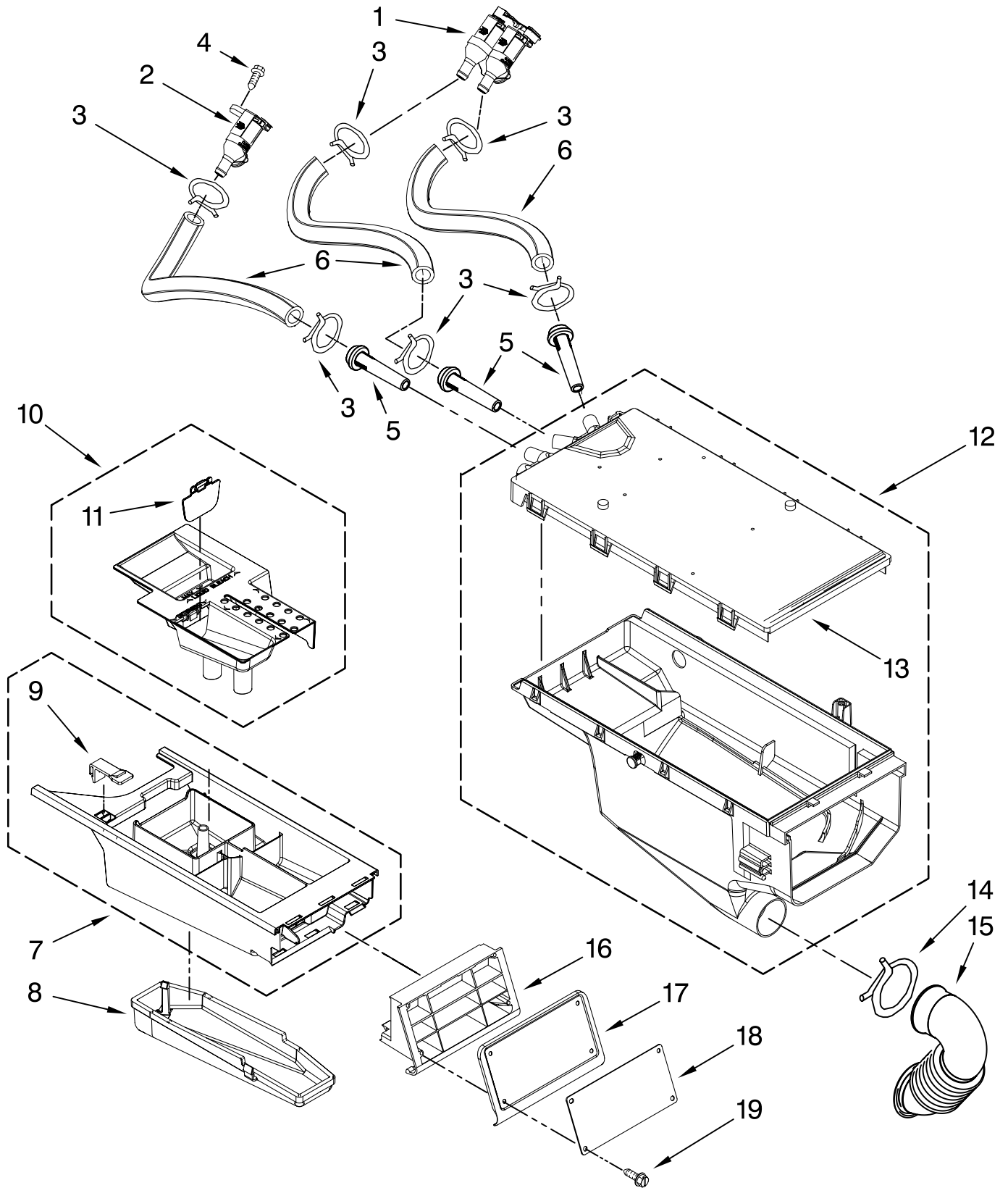
| Illus. No. | Part No.  | DESCRIPTION                        |
|------------|-----------|------------------------------------|
| 14         | 8540025   | Seal, Filter Cap                   |
| 15         | 8540996   | Filter Assembly (Includes Item 14) |
| 16         | W10272563 | Hose, Drain- Inner                 |
| 17         | W10003290 | Retainer, Drain Hose               |
| 18         | 2262071   | Cable Tie                          |

FOR ORDERING INFORMATION REFER TO PARTS PRICE LIST

# DISPENSER PARTS

For Model: CHW8990XW0

(White)



FOR ORDERING INFORMATION REFER TO PARTS PRICE LIST



# DISPENSER PARTS

For Model: CHW8990XW0

(White)

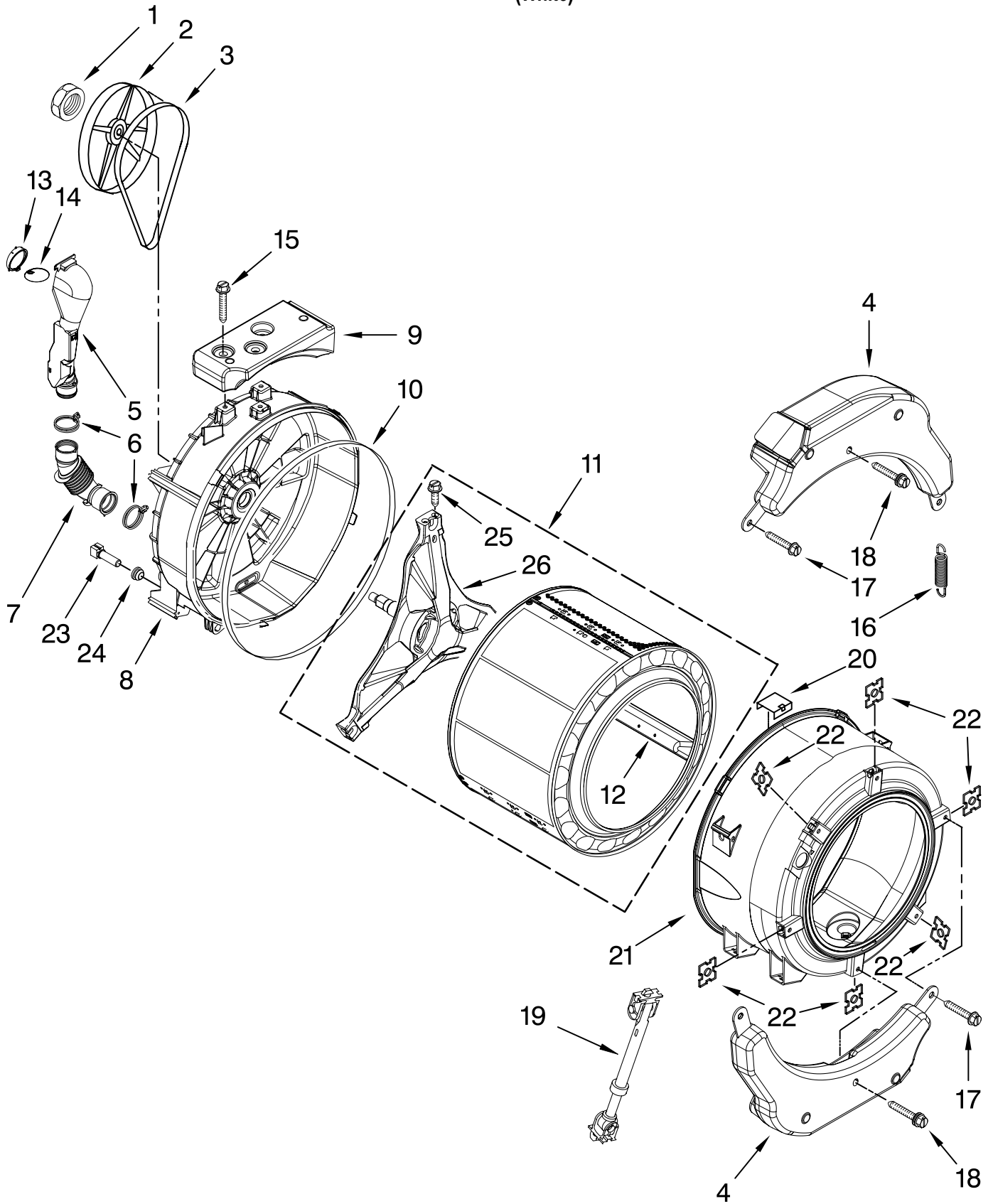
| <b>Illus.<br/>No.</b> | <b>Part<br/>No.</b> | <b>DESCRIPTION</b>             |
|-----------------------|---------------------|--------------------------------|
| 1                     | W10212596           | Valve, Water<br>Inlet (Double) |
| 2                     | W10212598           | Valve, Water<br>Inlet (Single) |
| 3                     | 370450              | Clamp, Hose                    |
| 4                     | 8540282             | Screw                          |
| 5                     | 8183181             | Nozzle, Inlet                  |
| 6                     | W10212611           | Hose, Valve<br>To Dispenser    |
| 7                     | W10366786           | Drawer,<br>Detergent           |
| 8                     | 8540399             | Cover,<br>Detergent Drawer     |
| 9                     | W10303980           | Tab, Drawer<br>Release         |
| 10                    | W10275869           | Siphon,<br>Bleach/Softener     |
| 11                    | W10298953           | Door,<br>Living Hinge          |
| 12                    | W10212603           | Dispenser,<br>Outer Housing    |
| 13                    | W10212604           | Plate,<br>Distribution         |
| 14                    | 8281276             | Clamp, Hose                    |
| 15                    | 8540063             | Hose, Dispenser<br>To Tub      |
| 16                    | W10137432           | Handle, Drawer                 |
| 17                    | W10137431           | Cover, Handle                  |
| 18                    | W10137430           | Facia/Overlay,<br>Drawer       |
| 19                    | W10137456           | Screw, 8-18 x 1/2              |

FOR ORDERING INFORMATION REFER TO PARTS PRICE LIST

# TUB AND BASKET PARTS

For Model: CHW8990XW0

(White)



FOR ORDERING INFORMATION REFER TO PARTS PRICE LIST

# TUB AND BASKET PARTS

For Model: CHW8990XW0

(White)

| <b>Illus.<br/>No.</b> | <b>Part<br/>No.</b> | <b>DESCRIPTION</b>                             |
|-----------------------|---------------------|--|
| 1                     | 8533999             | Nut, Pulley                                    |
| 2                     | 8540088C            | Pulley   |
| 3                     | W10260319           | Belt, Drive                                    |
| 4                     | W10223198           | Counterweight,<br>Front                        |
| 5                     | W10142720           | Pipe, Ventilation                              |
| 6                     | 8540010             | Clamp, Vent Hose                               |
| 7                     | 8540019             | Hose, Exhaust                                  |
| 8                     | W10303574           | Tub, Rear<br>(Includes<br>Items 10 & 22)       |
| 9                     | W10200747           | Counterweight,<br>Rear                         |
| 10                    | 8540090             | Gasket, Tub                                    |
| 11                    | W10303571           | Basket, Complete                               |
| 12                    | W10118982           | Baffle, Tub                                    |
| 13                    | W10142721           | Connector –<br>Ventilation                     |
| 14                    | W10142722           | Flap – Ventilation                             |
| 15                    | W10246531           | Screw, Rear<br>Counterweight                   |
| 16                    | W10010360           | Spring,<br>Suspension                          |
| 17                    | W10094780           | Bolt,<br>Counterweight Mtg.                    |
| 18                    | W10259288           | Bolt Assembly,<br>Counterweight<br>Center Hole |
| 19                    | W10015830           | Shock Absorber                                 |
| 20                    | 8540092             | Clamp, Tub                                     |
| 21                    | W10266965           | Tub, Front<br>(Includes<br>Items 10 & 22)      |
| 22                    | 8540072             | Nut, Push-In                                   |
| 23                    | W10176659           | Negative<br>Thermistor Control                 |
| 24                    | 8540766             | Seal, Rubber                                   |
| 25                    | 8540382             | Screw  |
| 26                    | 8540342             | Crosspiece<br>Assembly                         |

FOR ORDERING INFORMATION REFER TO PARTS PRICE LIST

# OPTIONAL PARTS (NOT INCLUDED)

For Model: CHW8990XW0

(White)

| <b>Illus.</b> | <b>Part</b> |                    |
|---------------|-------------|--------------------|
| <b>No.</b>    | <b>No.</b>  | <b>DESCRIPTION</b> |

## PAINT, TOUCH-UP (1/2oz.)

72017 White

## PAINT, PRESSURIZED SPRAY (12 oz.)

350938 Primer, Gray

350930 White

## PAINT, BULK (1 qt.)

799344 White (Uncut)

## ACCESSORY PARTS

285863 Drain Extension

W10135699 Affresh

Odor Remover

W10103350 Pedestal,

Commercial

FOR ORDERING INFORMATION REFER TO PARTS PRICE LIST