

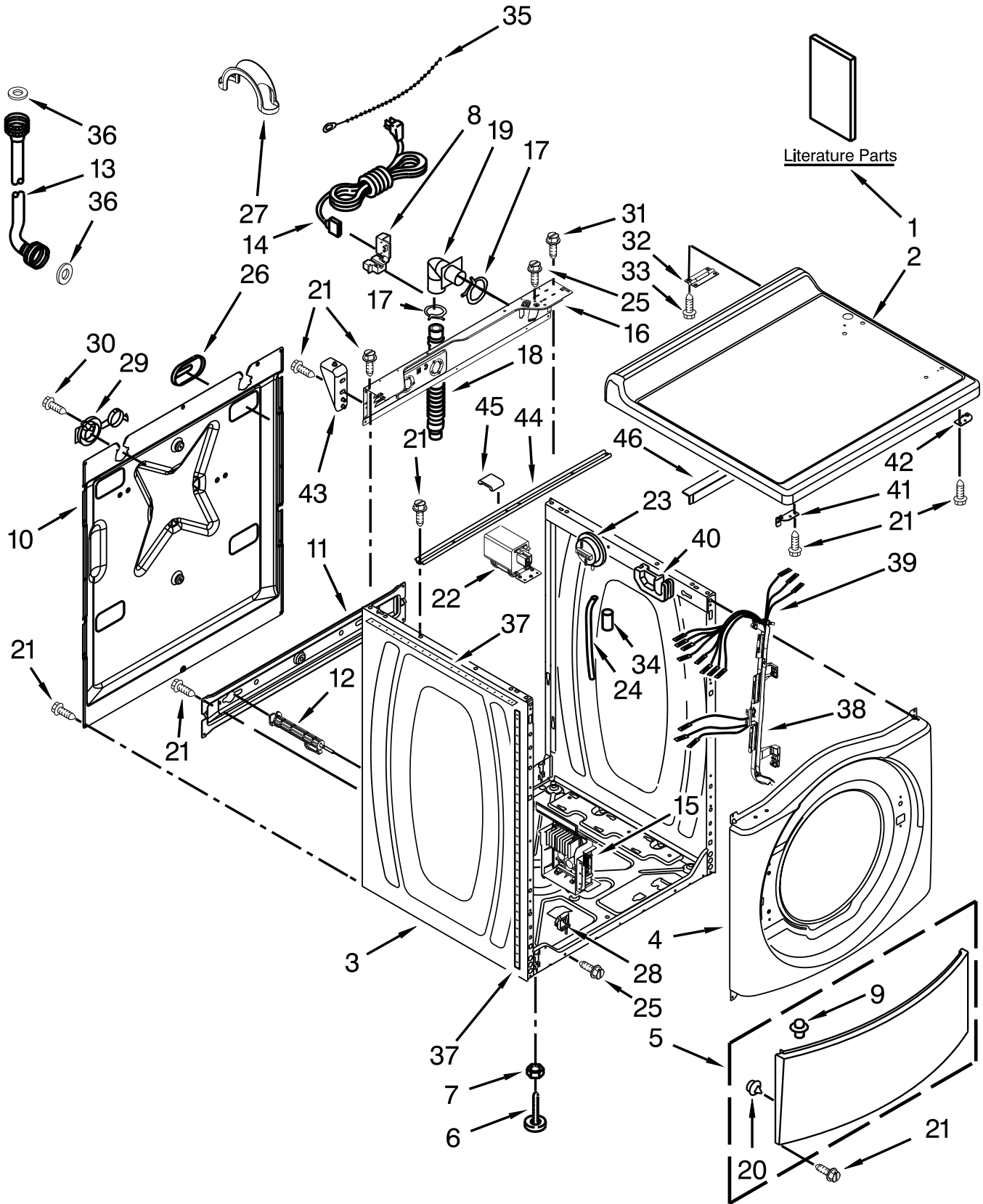


COMMERCIAL AUTOMATIC WASHER

MODELS:

CHW8990BW0 (White)

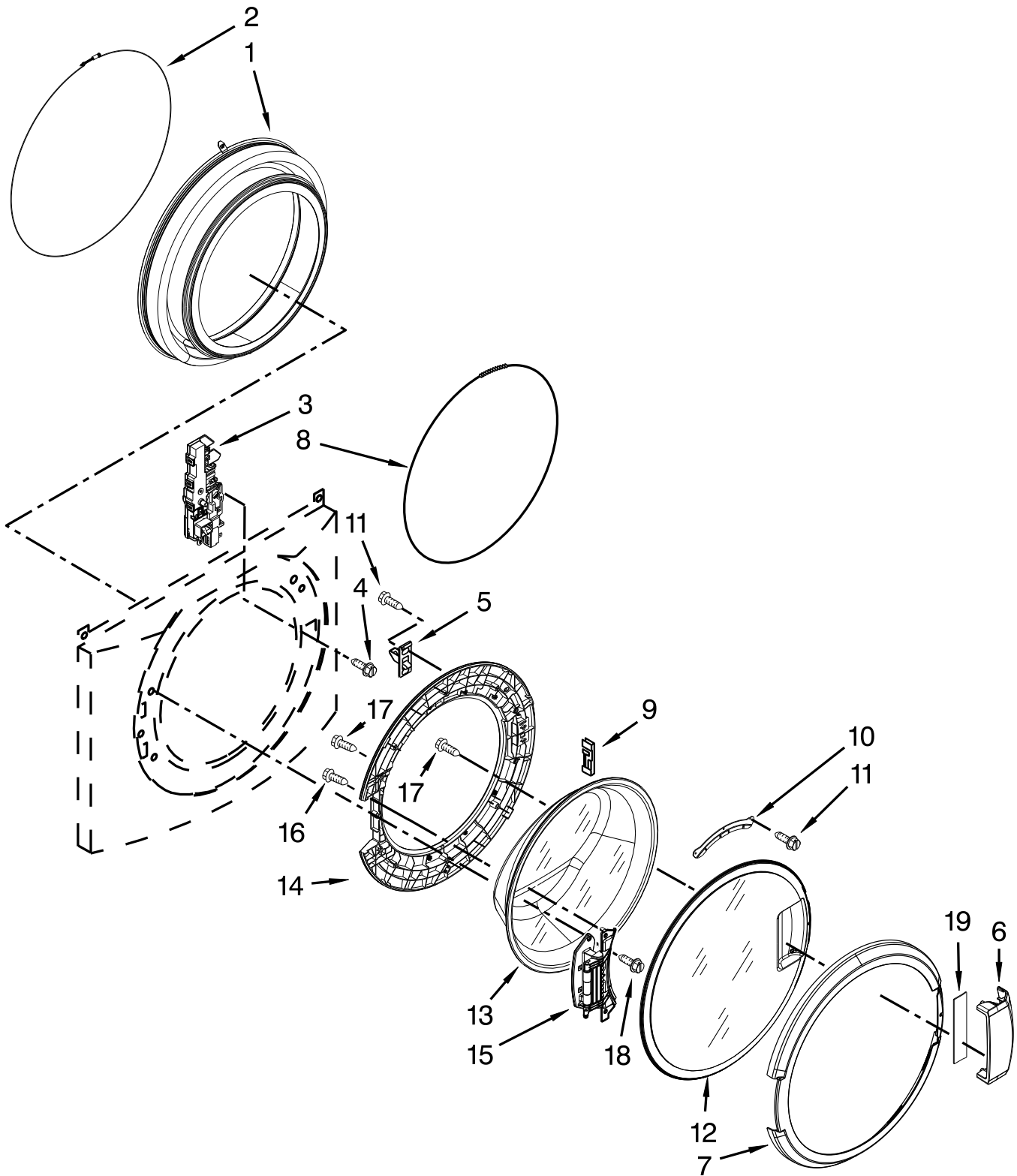
TOP AND CABINET PARTS



TOP AND CABINET PARTS

| <u>Illus.</u> <u>No.</u> | <u>Part No.</u> | <u>Description</u> | <u>Illus.</u> <u>No.</u> | <u>Part No.</u> | <u>Description</u> | <u>Illus.</u> <u>No.</u> | <u>Part No.</u> | <u>Description</u> |
|-----------------------------|-----------------|-----------------------------|-----------------------------|-----------------|------------------------------|-----------------------------|-----------------|---|
| 1 | | Literature Parts | 14 | W10205500 | Cord, Power | 35 | 3347868 | Tie, Cable (Beaded) |
| | W10618422 | Installation Instructions | 15 | W10384849 | Unit, Motor Control | 36 | 3976300 | Washer, Inlet Hose |
| | | Tech Sheet | 16 | W10244560 | Brace, Rear | 37 | 8318396 | Seal, Foam |
| | W10623601 | English | 17 | 356138 | Clamp, Hose | 38 | W10168546 | Harness Channel, Side Front |
| | W10617706 | French | 18 | W10106460 | Hose, Drain- Outer | 39 | W10298334 | Harness, Wiring (Lower Main) Includes Item 38 And The Following Cable Sets: (Not Illustrated) |
| 2 | | Top | 19 | W10003260 | Connector, Hose Outlet | | W10253050 | CCU To MCU - Power (2 Pole) |
| | W10137411 | White | 20 | 238614 | Bumper | | W10253054 | CCU TO MCU-Serial Communication (3 Pole) |
| 3 | | Cabinet (Not Servicable) | 21 | W10015090 | Screw | | 8540205 | Door Lock - Power |
| 4 | | Panel, Front | 22 | W10367632 | Filter, Interference | 40 | 8540643 | Bracket, Spring |
| | W10306505 | White | 23 | W10292407 | Switch, Pressure | 41 | W10137445 | Bracket - Top Panel, Left |
| 5 | | Panel, Toe | 24 | 8540294 | Hose, Pressure Switch | 42 | W10137444 | Bracket - Top Panel, Right |
| | 8540813 | White | 25 | 8540479 | Screw, Grounding | 43 | W10137398 | Stop, Top Panel |
| 6 | W10245373 | Foot, Leveling | 26 | 8540268 | Cover, Transport | 44 | 8540721 | Brace, Top |
| 7 | 3359452 | Nut, Hex | 27 | 8577378 | U-Bend, Drain Hose | 45 | 8283273 | Damper, Brace |
| 8 | W10110676 | Strain Relief, Power Cord | 28 | W10085220 | Microswitch | 46 | W10342663 | Angle, Support Top |
| 9 | 8518891 | Rivet | 29 | 8540728 | Sleeve, Cord Support | | | |
| 10 | W10258342 | Panel, Rear | 30 | 8540727 | Screw | | | |
| 11 | W10189659 | Brace, Transport | 31 | 8540329 | Screw | | | |
| 12 | W10251449 | Bolt, Shipping (Set Of 4) | 32 | | Hinge & Pin Assembly | | | |
| 13 | | Hose, Water Inlet | | 8565018 | White | | | |
| | W10194208 | Cold Water | 33 | 342055 | Screw | | | |
| | 8571378 | Hot Water | 34 | 2161302 | Sleeve, Pressure Switch Hose | | | |

DOOR PARTS



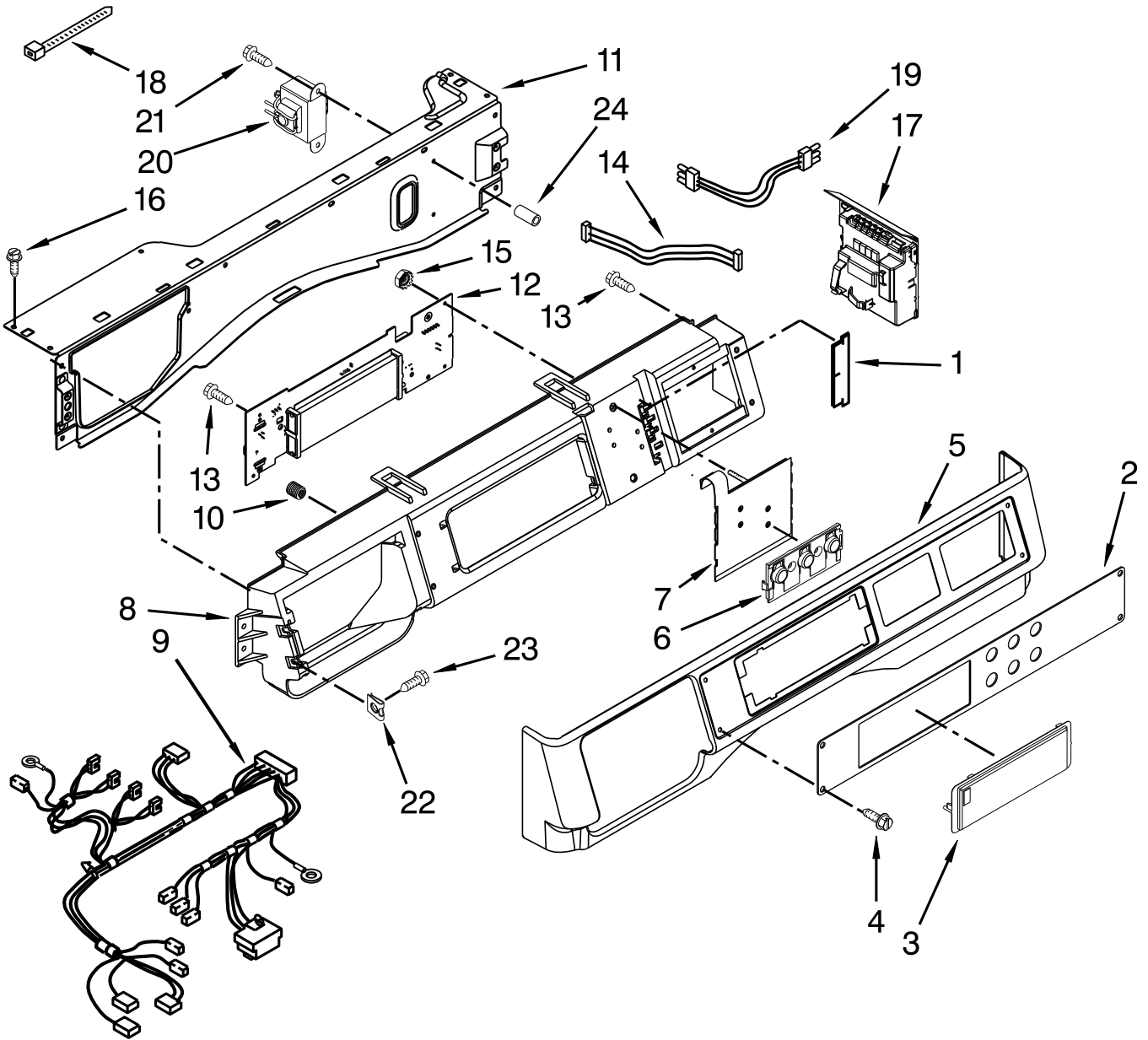
DOOR PARTS

| <u>Illus.</u> <u>No.</u> | <u>Part No.</u> | <u>Description</u> |
|-----------------------------|-----------------|-----------------------|
| 1 | W10311051 | Bellow |
| 2 | 8540108 | Clamp, Bellow To Tub |
| 3 | W10375379 | Lock, Door |
| 4 | 8540725 | Screw |
| 5 | 8540221 | Hook, Door |
| 6 | W10117474 | Handle, Door |
| 7 | W10198440 | Trim Ring, Outer Door |

| <u>Illus.</u> <u>No.</u> | <u>Part No.</u> | <u>Description</u> |
|-----------------------------|-----------------|------------------------------|
| 8 | W10217563 | Clamp, Bellow To Front Panel |
| 9 | 8540115 | Clamp, Support |
| 10 | 8540114 | Clamp, Glass |
| 11 | 8540513 | Screw |
| 12 | W10137451 | Frame, Door Front Assembly |
| 13 | W10388315 | Glass, Door |

| <u>Illus.</u> <u>No.</u> | <u>Part No.</u> | <u>Description</u> |
|-----------------------------|-----------------|--------------------------|
| 14 | W10198442 | Frame, Door Back Support |
| 15 | W10198417 | Hinge, Door |
| 16 | 8540284 | Screw |
| 17 | 8540282 | Screw |
| 18 | W10015090 | Screw |
| 19 | W10112927 | Pad, Door Handle |

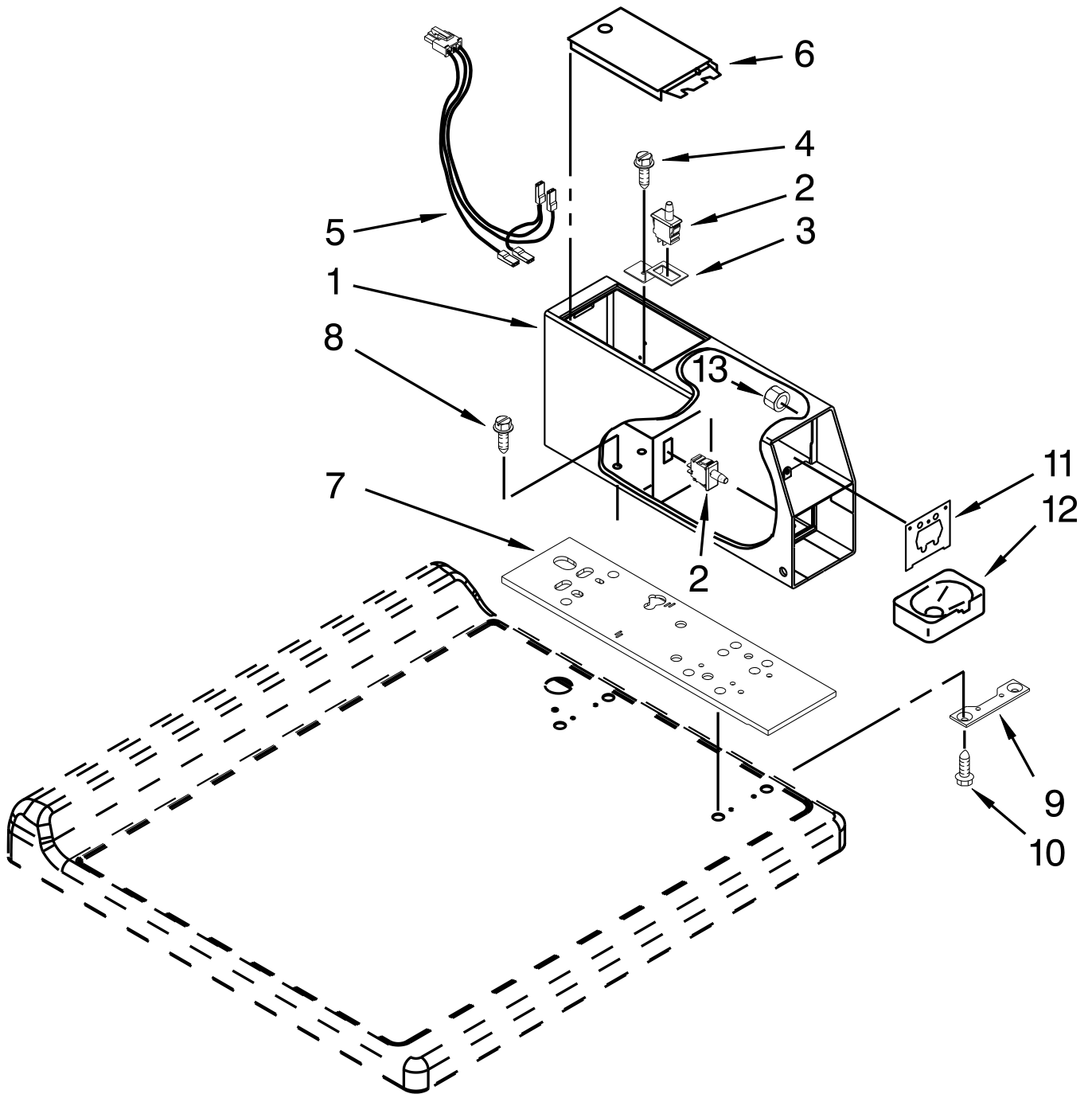
CONTROL PANEL PARTS



CONTROL PANEL PARTS

| <u>Illus.</u> <u>No.</u> | <u>Part No.</u> | <u>Description</u> | <u>Illus.</u> <u>No.</u> | <u>Part No.</u> | <u>Description</u> | <u>Illus.</u> <u>No.</u> | <u>Part No.</u> | <u>Description</u> |
|-----------------------------|-----------------|---------------------------------|-----------------------------|-----------------|---|-----------------------------|-----------------|--------------------------------|
| 1 | W10187276 | Seal, Console | 9 | W10298333 | Harness, Wiring (Upper Main) Includes The Following Cable Sets: (Not Illustrated) | 15 | W10139046 | Nut |
| 2 | W10607836 | Fascia | | | | 16 | W10015090 | Screw |
| 3 | W10267645 | Cover, Display | | | | 17 | W10615891 | Microcomputer, Machine Control |
| 4 | W10137457 | Screw | | W10179481 | Coin Drop To CCU (4 Pole) | 18 | 3429563 | Tie, Cable |
| 5 | W10137458 | Console, Outer | | W10232996 | CCU To Cold Fill Valve (3 Pole) | 19 | W10448626 | Harness, Wiring (Console UIC) |
| 6 | W10137455 | Push Button | | W10232997 | CCU To Hot Fill Valve (2 Pole) | 20 | W10131839 | Transformer |
| 7 | W10135255 | Switch, Membrane & Backer Plate | | | | 21 | 8540329 | Screw |
| 8 | W10137426 | Console, Inner | 10 | W10189313 | Insert | 22 | 9781235 | Nut, "U" |
| | | | 11 | W10294428 | Bracket, Console | 23 | W10131119 | Screw M4X13 |
| | | | 12 | W10618806 | User Interface | 24 | W10018050 | CAPLUG |
| | | | 13 | 489136 | Screw | | | |
| | | | 14 | W10155150 | Harness, Test | | | |

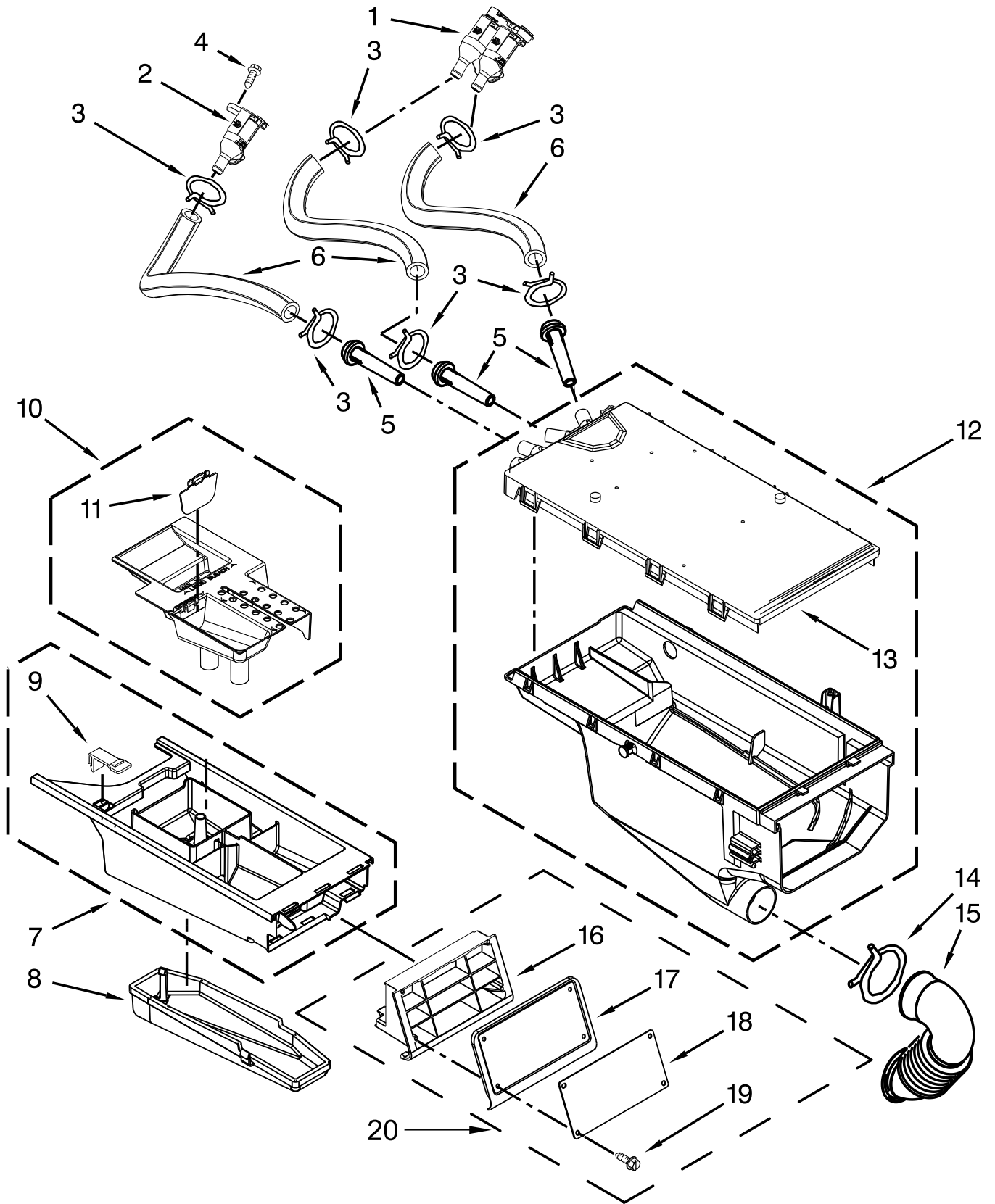
METER CASE PARTS



METER CASE PARTS

| <u>Illus.</u> <u>No.</u> | <u>Part No.</u> | <u>Description</u> | <u>Illus.</u> <u>No.</u> | <u>Part No.</u> | <u>Description</u> | <u>Illus.</u> <u>No.</u> | <u>Part No.</u> | <u>Description</u> |
|-----------------------------|-----------------|-----------------------------|-----------------------------|-----------------|------------------------|-----------------------------|-----------------|----------------------------------|
| 1 | W10171132 | Meter Case | 6 | 3351136 | Assembly, Service Door | 10 | 98445 | Screw |
| 2 | W10131838 | Switch, Vault Service Door | 7 | W10137448 | Cushion, Meter Case | 11 | 3954761 | Optional Parts Plate, Adapter |
| 3 | W10133508 | Bracket, Service Switch | 8 | 3349065 | Bolt | 12 | 385421 | Funnel, Coin |
| 4 | W10139210 | Screw | 9 | 3347825 | Plate, Mounting | 13 | 3400029 | Nut |
| 5 | W10211244 | Wire, Harness Sensor Switch | | | | | | |

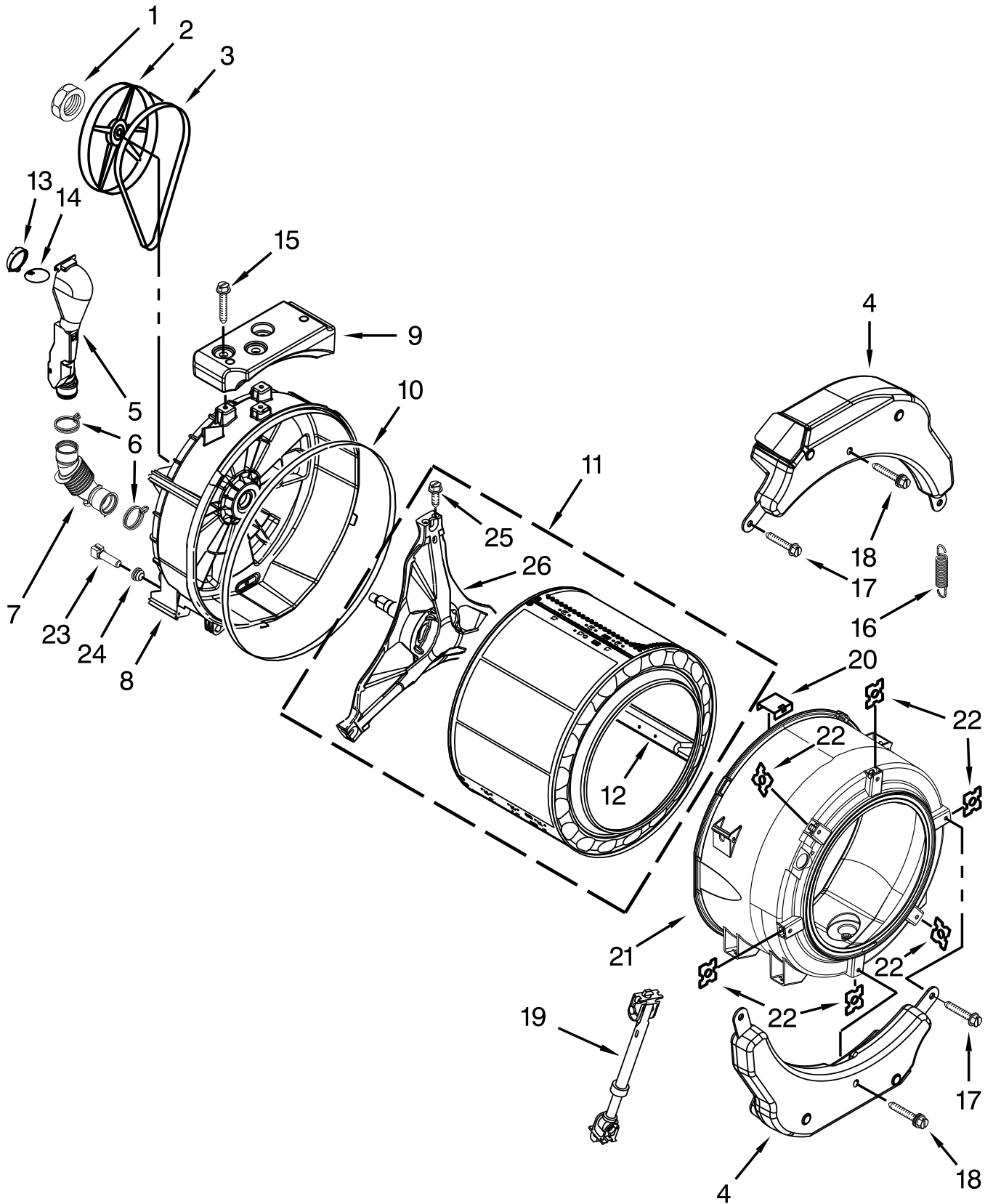
DISPENSER PARTS



DISPENSER PARTS

| <u>Illus.</u> <u>No.</u> | <u>Part No.</u> | <u>Description</u> | <u>Illus.</u> <u>No.</u> | <u>Part No.</u> | <u>Description</u> | <u>Illus.</u> <u>No.</u> | <u>Part No.</u> | <u>Description</u> |
|-----------------------------|-----------------|-----------------------------|-----------------------------|-----------------|--------------------------|-----------------------------|-----------------|-------------------------|
| 1 | W10212596 | Valve, Water Inlet (Double) | 8 | 8540399 | Cover, Detergent Drawer | 14 | 8281276 | Clamp, Hose |
| 2 | W10212598 | Valve, Water Inlet (Single) | 9 | W10198458 | Tab, Drawer Release | 15 | 8540063 | Hose, Dispenser To Tub |
| 3 | 370450 | Clamp, Hose | 10 | W10407371 | Siphon, Bleach/Softener | 16 | W10137432 | Handle, Drawer |
| 4 | 8540282 | Screw | 11 | W10298953 | Door, Living Hinge | 17 | W10137460 | Cover, Handle |
| 5 | 8183181 | Nozzle, Inlet | 12 | W10212603 | Dispenser, Outer Housing | 18 | W10440595 | Fascia/Overlay, Drawer |
| 6 | W10212611 | Hose, Valve To Dispenser | 13 | W10212604 | Plate, Distribution | 19 | W10137456 | Screw |
| 7 | W10376660 | Drawer, Detergent | | | | 20 | W10623600 | Handle Assembly, Drawer |

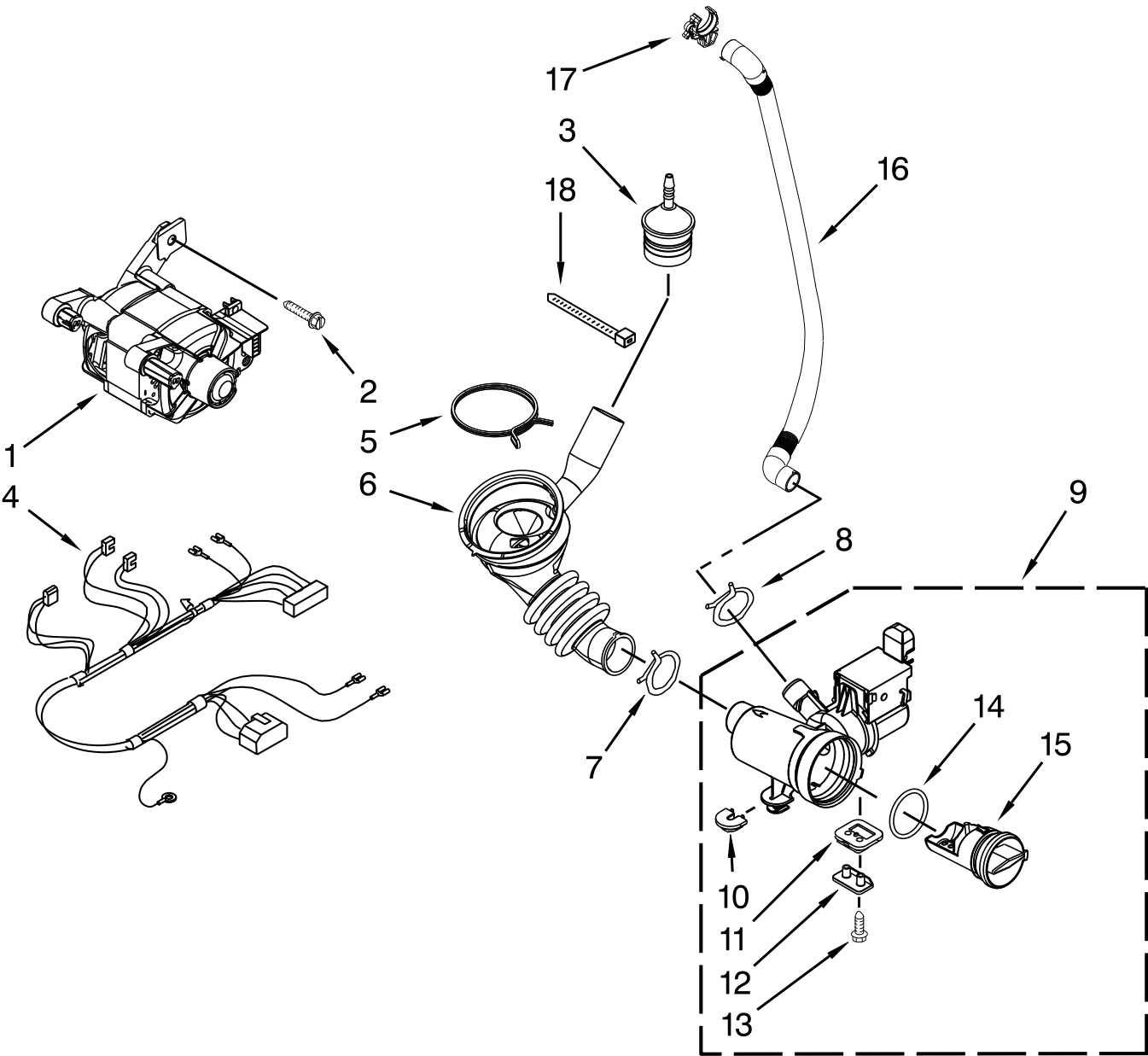
TUB AND BASKET PARTS



TUB AND BASKET PARTS

| <u>Illus.</u> <u>No.</u> | <u>Part No.</u> | <u>Description</u> | <u>Illus.</u> <u>No.</u> | <u>Part No.</u> | <u>Description</u> | <u>Illus.</u> <u>No.</u> | <u>Part No.</u> | <u>Description</u> |
|-----------------------------|-----------------|----------------------|-----------------------------|-----------------|------------------------------|-----------------------------|-----------------|--|
| 1 | 8533999 | Nut, Pulley | 10 | 8540090 | Gasket, Tub | 18 | W10259288 | Bolt Assembly, Counterweight Center Hole |
| 2 | 8540088C | Pulley | 11 | W10303571 | Basket, Complete | 19 | W10015830 | Absorber, Shock |
| 3 | W10260319 | Belt, Drive | 12 | W10118982 | Baffle, Tub | 20 | 8540092 | Clamp, Tub |
| 4 | W10223198 | Counterweight, Front | 13 | W10142721 | Ventilation, Connector | 21 | W10266965 | Tub, Front |
| 5 | W10142720 | Pipe, Ventilation | 14 | W10142722 | Flap, Ventilation | 22 | 8540072 | Nut, Push-In |
| 6 | 8540010 | Clamp, Vent Hose | 15 | W10246531 | Screw, Rear Counterweight | 23 | W10176659 | Control, Negative Thermistor |
| 7 | 8540019 | Hose, Exhaust | 16 | W10010360 | Spring, Suspension | 24 | 8540766 | Seal, Rubber |
| 8 | W10303574 | Tub, Rear | 17 | W10094780 | Screw | 25 | 8540382 | Screw |
| 9 | W10200747 | Counterweight, Rear | | | | 26 | 8540342 | Assembly, Crosspiece |

PUMP AND MOTOR PARTS



PUMP AND MOTOR PARTS

| <u>Illus.</u> <u>No.</u> | <u>Part No.</u> | <u>Description</u> |
|-----------------------------|-----------------|--------------------|
| 1 | W10171927 | Motor, Drive |
| 2 | 8540134 | Bolt, Motor |
| 3 | W10405608 | Trap, Air |
| 4 | W10201879 | Harness, Motor |
| 5 | 8181734 | Clamp, Hose |
| 6 | 8540012 | Hose, Tub to Pump |
| 7 | 370448 | Clamp, Hose |

| <u>Illus.</u> <u>No.</u> | <u>Part No.</u> | <u>Description</u> |
|-----------------------------|-----------------|-----------------------|
| 8 | 356138 | Clamp, Hose |
| 9 | W10130913 | Pump (Complete) |
| 10 | W10034820 | Foot, Rubber (Slider) |
| 11 | W10034830 | Foot, Rubber (Lock) |
| 12 | 8540033 | Cap, Lock Foot |
| 13 | 8533964 | Screw, Ventilation |

| <u>Illus.</u> <u>No.</u> | <u>Part No.</u> | <u>Description</u> |
|-----------------------------|-----------------|----------------------|
| 14 | 8540025 | Seal, Filter Cap |
| 15 | 8540996 | Assembly, Filter Cap |
| 16 | W10272563 | Hose, Drain Inner |
| 17 | W10003290 | Retainer, Drain Hose |
| 18 | 2262071 | Tie, Cable |

OPTIONAL PARTS (NOT INCLUDED)

PAINT, TOUCH-UP (1/2OZ.)

| <u>Illus.</u> <u>No.</u> | <u>Part No.</u> | <u>Description</u> |
|-----------------------------|-----------------|--------------------|
| | 72017 | White |

PAINT, BULK (1 QT.)

| <u>Illus.</u> <u>No.</u> | <u>Part No.</u> | <u>Description</u> |
|-----------------------------|-----------------|--------------------|
| | 799344 | White |

ACCESSORY PARTS

| <u>Illus.</u> <u>No.</u> | <u>Part No.</u> | <u>Description</u> |
|-----------------------------|-----------------|----------------------------------|
| | 285863 | 4' Drain Hose w/Clamp |
| | W10135699 | Affresh Odor Remover Pedestal |
| | W10103350 | White |

PAINT, PRESSURIZED SPRAY (12 OZ.)

| <u>Illus.</u> <u>No.</u> | <u>Part No.</u> | <u>Description</u> |
|-----------------------------|-----------------|--------------------|
| | 350938 | Gray Primer |
| | 350930 | White |