

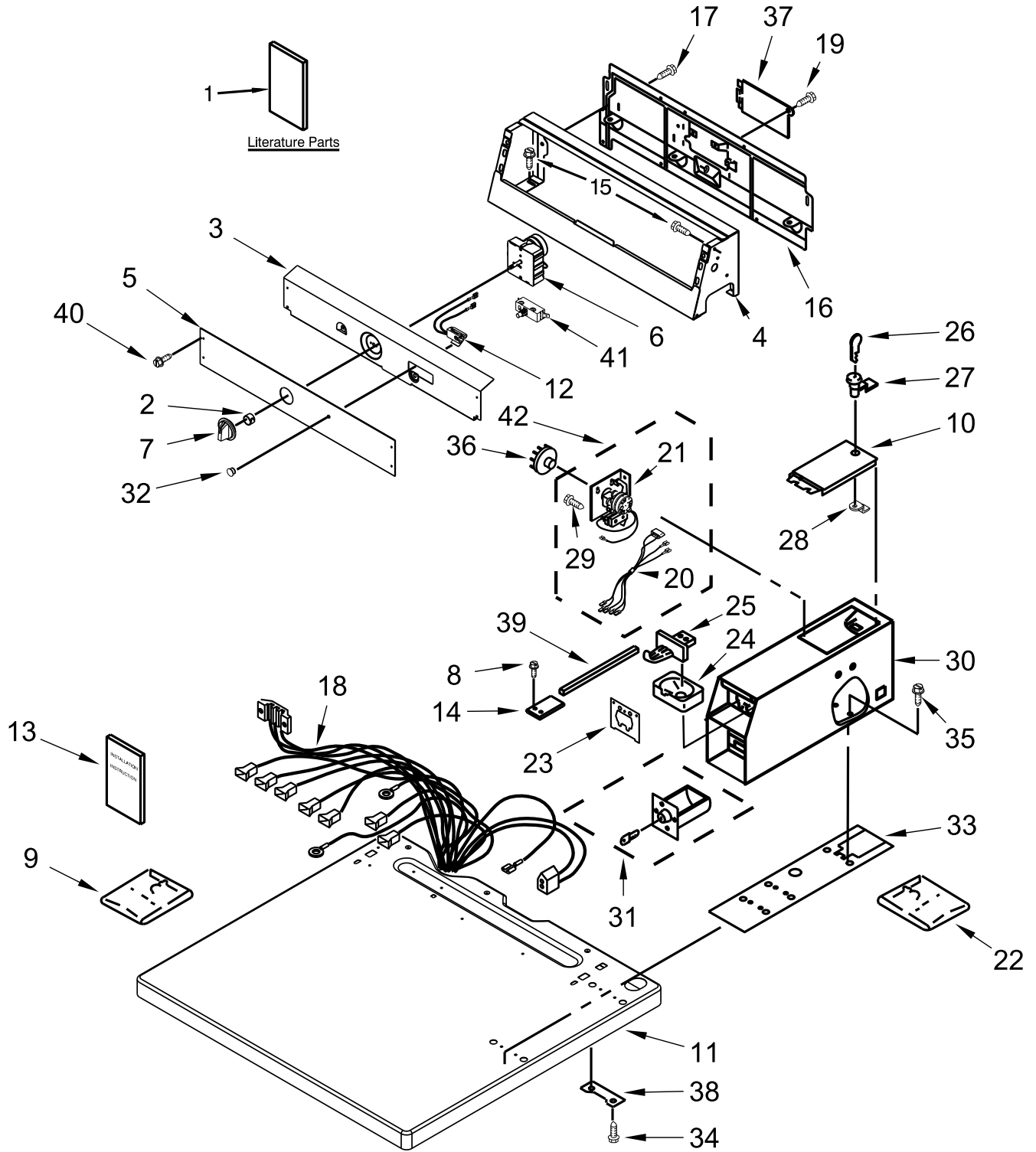


COMMERCIAL GAS DRYER

MODELS:

CGM2743BQ0 (White)
CGM2763BQ0 (White)

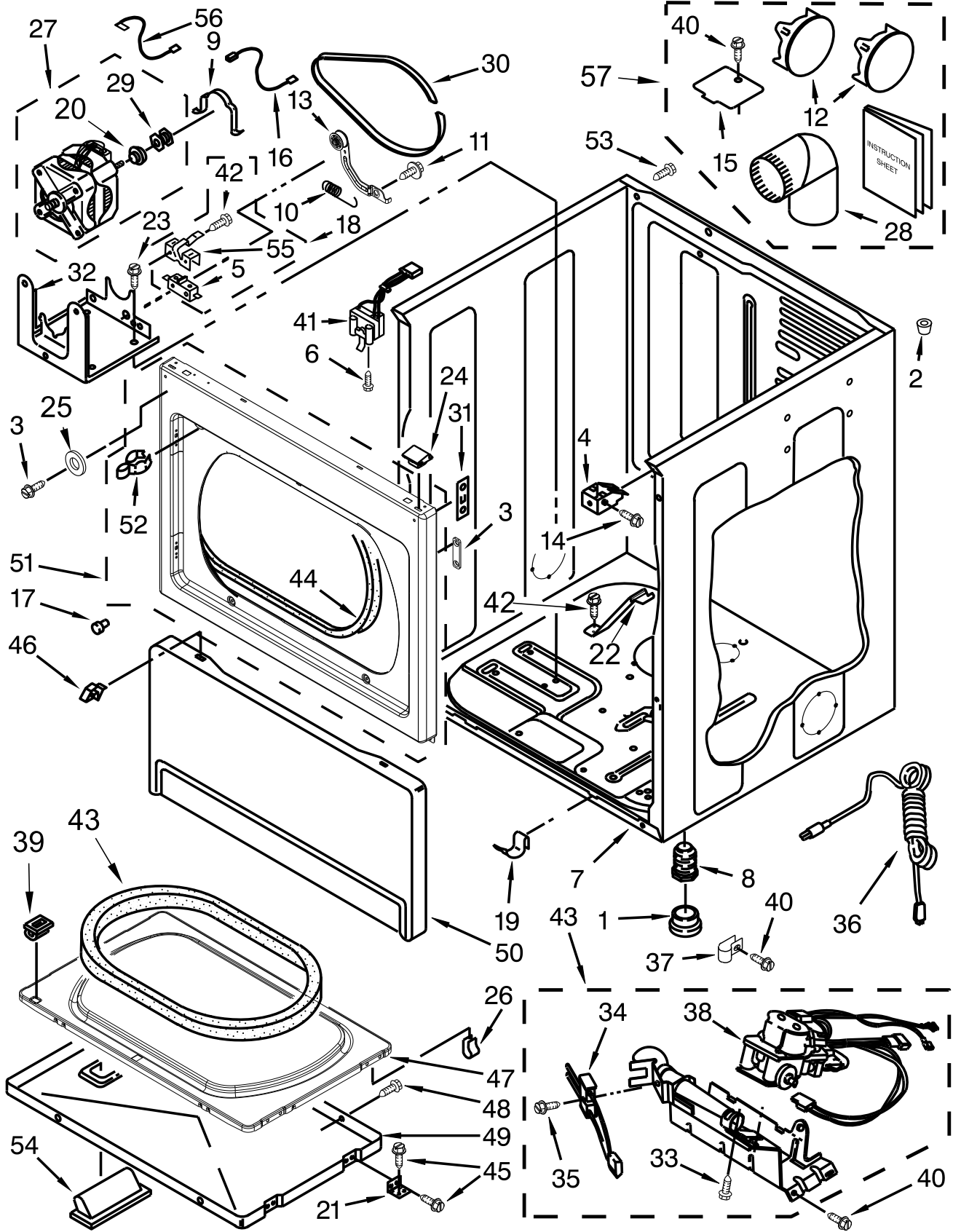
TOP AND CONSOLE PARTS



TOP AND CONSOLE PARTS

<u>Illus. No.</u>	<u>Part No.</u>	<u>Description</u>	<u>Illus. No.</u>	<u>Part No.</u>	<u>Description</u>	<u>Illus. No.</u>	<u>Part No.</u>	<u>Description</u>	
1		Literature Parts	16	3978608	Panel, Rear (Upper)	29	339805	Screw	
	W10474269	Installation Instructions	17	3390647	Screw	30	W10461200	Case, Meter	
	W10167622	Wiring Diagram	18	W10153108	Harness, Main	31	8316525	Money Box W/Lock	
2	W10140928	Clip, Knob	19	98139	Screw	32	W10133502	Lights, Indicator Assembly	
3	W10461070	Bracket Control	20	W10177793	Harness, Timer	33	3954812	Cushion, Meter Case	
4	W10461094	Console	21	W10045440	Timer	34	98445	Screw	
5	W10461062	Fascia	22	3954807	Kit, Vertical 8-Coin (Includes Illus. 29,30,32,33)	35	3349065	Screw	
6	W10327105	Switch, Cycle Selection	23	3954761	Plate, Adapter	36		Timing Cam	
7	W10492415	Knob	24	385421	Funnel, Coin		3387974	Timing Cam	
8	3400029	Nut	25	8316520	Coin Chute		343777	Timing Cam, 6 Pin (30 Minutes)	
9	8316532	Instructions, Coin Kit		8316264	Insert - Blank	37	8317340	Cover, Terminal Block	
10	693995	Screw		8316265	Insert - 25 Cent	38	3347825	Plate, Mounting	
11		Top	26		Key (Service Door) (When Ordering Specify Vendor and Key Number)	39	8318517	Bolt, Slide Mechanism	
	W10492412	White (2743B)		W10114740	Key, Access Door	40	W10386302	Screw	
	W10136707	White (2763)		27	8316526	Assembly, Cam & Security Lock	41	W10488054	Switch, PTS
12	W10130072	Lamp, Indicator		28	90406	Nut, Cage	42	W10521400	Timer & Harness Assembly
13	8316524	Kit, Chute Decal							
14	8316523	Extension							
15	8533971	Screw							

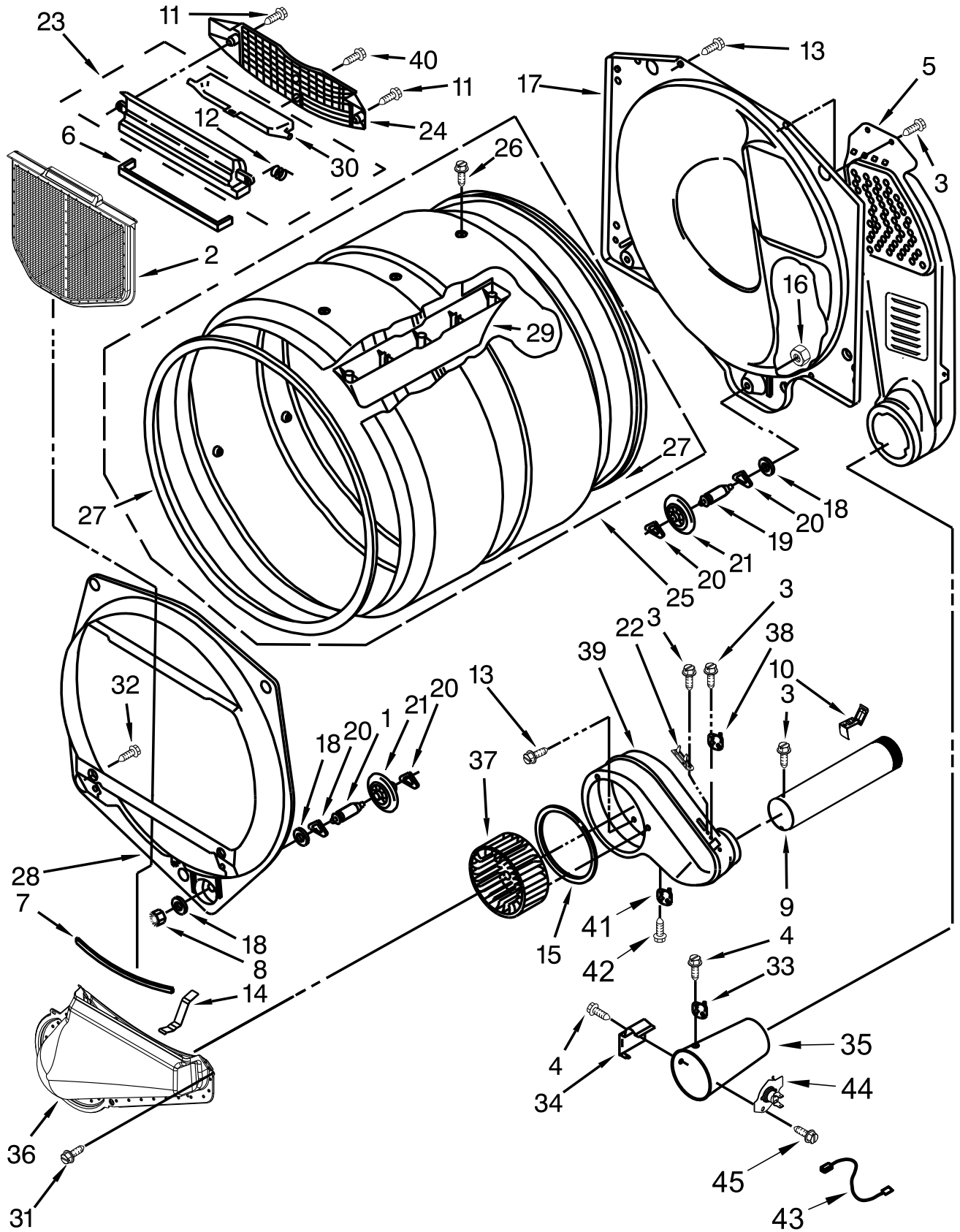
CABINET PARTS



CABINET PARTS

<u>Illus.</u> <u>No.</u>	<u>Part No.</u>	<u>Description</u>	<u>Illus.</u> <u>No.</u>	<u>Part No.</u>	<u>Description</u>	<u>Illus.</u> <u>No.</u>	<u>Part No.</u>	<u>Description</u>
1	3391943	Boot, Foot	19	W10291934	Clip	41	3406109	Switch, Door
2	356674	Cone, Wedge	20	3393657	Restrainer, Belt	42	98129	Screw, Door Switch Mounting
3	W10191265	Plug, Hinge	21	W10279703	Hinge & Pin Assembly	44	3387242	Seal, Front Panel
4	3391846	Clip, Front Panel	22	8529757	Bracket, Burner	43	3390735	Seal, Door
5	3394881	Switch - Belt	23	3390663	Screw, Door Switch Mounting	45	342055	Screw
6	697773	Screw	24	345670	Lock Top	46	3388229	Retainer
7		Cabinet	25	3392186	Washer	47	W10323061	Door, Rear
	W10547697	White	26	W10131123	Nut, "U"	48	359625	Screw
8	3392100	Foot, Dryer	27	W10396031	Motor	49	W10322546	Door, Front
	279810	Foot, Optional (Extended Length Package Of 2) (Not Included)	28	279731		50		Toe, Panel
9	660658	Clamp, Motor	29	3394341	Pulley, Motor		697215	White
10	W10446781	Spring, Idler	30	3387610	Belt, Drive	51		Panel, Front
11	3389420	Screw	31	3390902	Clip, Door Hinge		W10192882	White
12	697750	Plug, Multivent	32	3387118	Bracket, Motor	52	696144	Strike, Door
13	W10344193	Pulley-Idler Assembly	33	3387057	Screw	53	8533974	Screw
14	3391915	Screw	34	686590	Ignitor	54	3389522	Handle, Door
15	3394331	Cover Plate, Exhaust Plate	35	3393909	Screw	55	8066120	Lever Switch
16	W10167612	Wire, Belt Switch	36	W10440461	Cord, Power	56	3398948	Wire, Jumper (Broken Belt Switch)
17	693152	Bumper	37	3387561	Clamp, Pipe			Optional Parts Not Included Dryer Exhaust Kit (For Side & Bottom Venting)
18	8066134	Switch Assembly	38	8281911	Valve, Gas (Complete) 60 Hz			
			39	3392538	Door Catch Assembly			
			40	3390647	Screw	57	279818	White

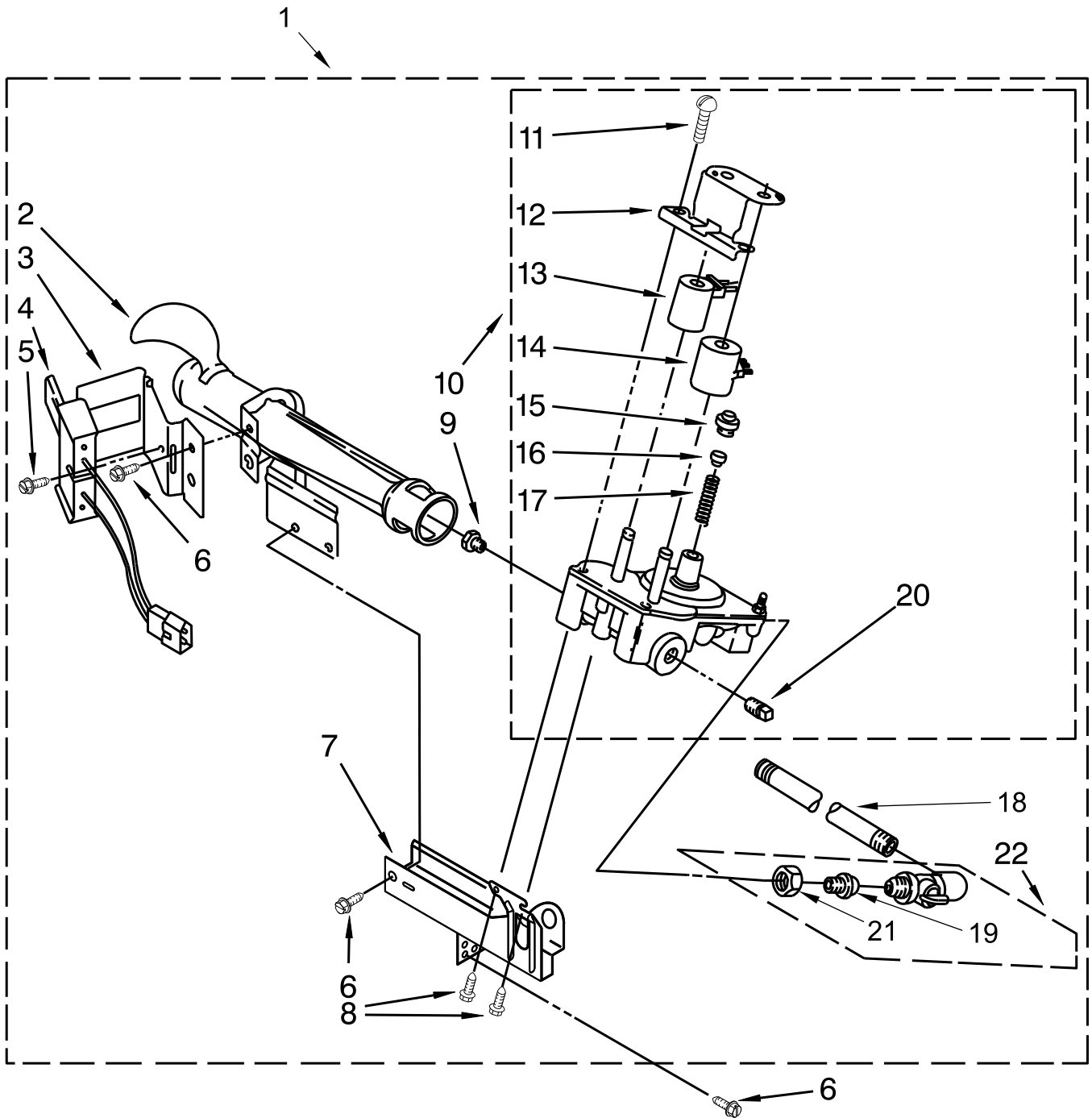
BULKHEAD PARTS



BULKHEAD PARTS

<u>Illus.</u> <u>No.</u>	<u>Part No.</u>	<u>Description</u>	<u>Illus.</u> <u>No.</u>	<u>Part No.</u>	<u>Description</u>	<u>Illus.</u> <u>No.</u>	<u>Part No.</u>	<u>Description</u>
1	W10359271	Shaft, Drum Roller - Right Hand Thread	17	3387809	Bulkhead, Rear	34	338906	Sensor, Radiant
2	W10049370	Screen, Lint	18	3387459	Washer	35	8573824	Funnel, Burner
3	8533971	Screw	19	W10359272	Shaft, Drum Roller - Left Hand Thread	36	8066168	Assembly, Lint Duct
4	90767	Screw	20	690997	Washer, Tri Ring	37	W10349492	Wheel, Blower
5	3394346	Assembly, Air Duct	21	W10314171	Roller, Support	38	W10178810	
6	697813	Seal, Outlet Housing	22	3392519	Fuse, Thermal (91C)	39	8544362	Housing, Blower
7	697814	Seal, Drum Front	23	W10181928	Housing, Outlet	40	695240	Screw
8	3934666	Nut, Hex	24	W10181926	Grille, Outlet	41	W10131836	Thermostat
9	8066224	Exhaust Pipe	25	W10545923	Drum Assembly	42	693995	Screw
10	8572105	Clip, Exhaust	26	W10219342	Screw	43	3401707	Jumper, TCO High Limit
11	3387230	Screw	27	W10521118	Rear, Drum Seal			
12	3394986	Spring, Lint Screen Door	28	697557	Bulkhead, Front			
13	3390647	Screw	29	697693	Baffle, Drum			
14	W10345456	Clip, Spring	30	W10181925	Door, Lint Screen			
15	697770	Seal, Plate Cover	31	489463	Screw			
16	W10001120	Nut, Hex (Left Hand Thread)	32	3357011	Screw			
			33	3391912	Thermostat, Hi Limit			

BURNER ASSEMBLY



BURNER ASSEMBLY

<u>Illus.</u> <u>No.</u>	<u>Part No.</u>	<u>Description</u>	<u>Illus.</u> <u>No.</u>	<u>Part No.</u>	<u>Description</u>	<u>Illus.</u> <u>No.</u>	<u>Part No.</u>	<u>Description</u>
1	3401797	Burner Assembly (60 Hz)	9		Orifice, Burner	15	694424	Leak Limiter
2	688617	Tube, Burner		229742	Type 4 (Propane)	16	694423	Screw, Regulator Adjustment
3	694298	Bracket, Ignitor	10	234868	Type 2	17	694422	Spring, Regulator
4	686590	Ignitor		8281911	Valve, Gas (Complete) 60 Hz	18	W10110395	Pipe, Gas Supply
5	3393909	Screw	11	694421	Screw, Coil	19	3393767	Pipe, Tail
6	343641	Screw	12	694538	Bracket, Coil	20	239822	Plug, Pipe
7	3389871	Base, Burner	13	694540	Coil, 60 Hz. (2 Terminal Main)	21	233076	Nut, Compression
8	3387057	Screw	14	694539	Coil, 60 Hz (Split, 3 Terminal)	22	697441	Valve, Gas

OPTIONAL PARTS (NOT INCLUDED)

ACCESSORY PARTS

<u>Illus.</u> <u>No.</u>	<u>Part No.</u>	<u>Description</u>
	4392067	Kit, Dryer Repair

PAINT, TOUCH-UP (1/2OZ.)

<u>Illus.</u> <u>No.</u>	<u>Part No.</u>	<u>Description</u>
	72017	White

PAINT, PRESSURIZED SPRAY (12 OZ.)

<u>Illus.</u> <u>No.</u>	<u>Part No.</u>	<u>Description</u>
	350930	White
	350938	Gray Primer

PAINT, BULK (1 QT.)

<u>Illus.</u> <u>No.</u>	<u>Part No.</u>	<u>Description</u>
	799344	White