

PARTS LIST

for



COMMERCIAL ELECTRIC DRYER

MODEL
CEM2750TQ2



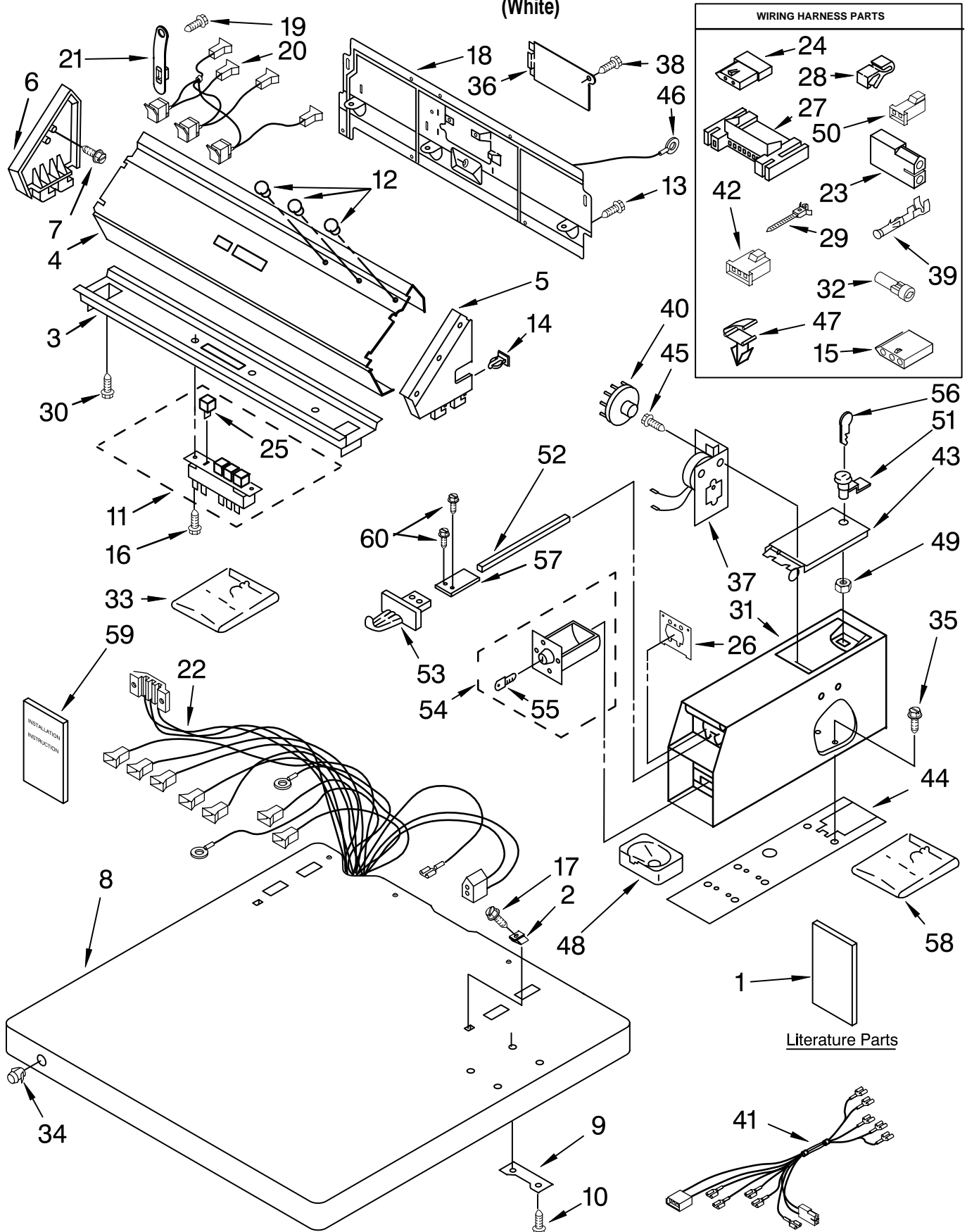
FOR CUSTOMER SATISFACTION ALWAYS USE
FACTORY SPECIFICATION PARTS



Whirlpool CORPORATION
Benton Harbor, Michigan.

TOP AND CONSOLE PARTS

For Model: CEM2750TQ2
(White)



FOR ORDERING INFORMATION REFER TO PARTS PRICE LIST

TOP AND CONSOLE PARTS

For Model: CEM2750TQ2

(White)

Illus. No.	Part No.	DESCRIPTION	Illus. No.	Part No.	DESCRIPTION	Illus. No.	Part No.	DESCRIPTION	
1	W10184582	Literature Parts Instructions Installation	27	3395683	Housing, Connector			Following Parts Supplied On Whirlpool Coin Equipped Models Only.	
	8576821	Wiring Diagram	28	357572	Clip, Ground				
	W10184607	Repair Parts List	29	3391018	Tie, Cable				
2	357213	Nut, Push-In	30	8533971	Screw, 8-18 x 5/16	51	8316526		Security Lock/Key & Cam Assembly
3	3361029	Bracket, Control	31	8316527	Case, Meter	52	8318517		Bolt, Slide Mechanism
4	8316634	Panel, Control	32	351297	Plug, Harness	53	8316520		Slide Mechanism (Vertical 8-Coin) (Dollar Vend) Inserts (Not Shown)
5	8316516	Cap, End (R.H.)	33	3954807	Kit, Vertical 8-Coin (Includes Illus. 51-53-54 56-57-58 & 59)		8316264		Blank
6	3949734	Cap, End (L.H.)					8316265		25¢
7	97787	Screw, 11-16 x 3/4	34	387371	Lock, Plug *Also Available	54	8316525		Money Box W/Lock Key (Money Box) (When Ordering, Specify Vendor and Key Number)
8	3954665	Top				55			Key (Service Door) (When Ordering, Specify Vendor and Key Number)
9	3347825	Plate-Mounting (2)							
10	98445	Screw, 10-16 x 3/4		358290	Top Lock				
11	8316437	Switch, Pushbutton	35	3349065	Screw, 5/16-24 x 1				
12	3348109	Lens Light (Amber)	36	8576583	Cover, Terminal Block				
13	693995	Screw, 8-18 x 3/8	37	W10045440	Timer, (Includes 4-Pin Cam)	56			
14	689559	Nut, Push-In							
15	3936144	Connector, 3-Circuit	38	3390814	Screw, 8-18 x 3/8				
16	303921	Screw, 8-32 x 3/8	39	94614	Terminal Timing Cam	57	8316523	Extension	
17	8281182	Screw 8-18 x 1-1/4	40			58	8316524	Kit, Decal	
18	3978608	Panel, Rear (Upper)		3387974	3-Pin (60 Min)	59	8316532	Installation Instructions Coin Kit	
19	3390647	Screw, 8-18 x 1/2		339855	4-Pin (45 Min)				
20	8316640	Light, Indicator Assembly		343777	6-Pin (30 Min) *Also Available	60	3400086	Screw, 10-32 x 3/8	
21	8318255	Strap, Console		339854	9-Pin (20 Min)				
22	8576528	Harness, Main	41	3401682	Harness, Timer				
23	717252	Receptacle (2-Way)	42	691707	Receptacle (3-Way)				
24	717253	Receptacle (2-Way)	43	3351136	Door, Service				
25	8316433	Pushbutton	44	3954812	Cushion, Meter Case				
26	3954761	Plate, Chute Adapter (Includes Illus. 51)	45	339805	Screw, 10-32 x 3/16				
			46	3398893	Ground Wire				
			47	3394427	Clip, Harness				
			48	385421	Funnel, Coin				
			49	90406	Nut-Cage				
			50	351296	Receptacle				

Coins Mechanism Parts May be
Ordered From Whirlpool Or
The Vendor (s) Listed Below.

◆ ESD
270 New Jersey Dr.
Fort Washington, PA
19034

1-800-523-1510

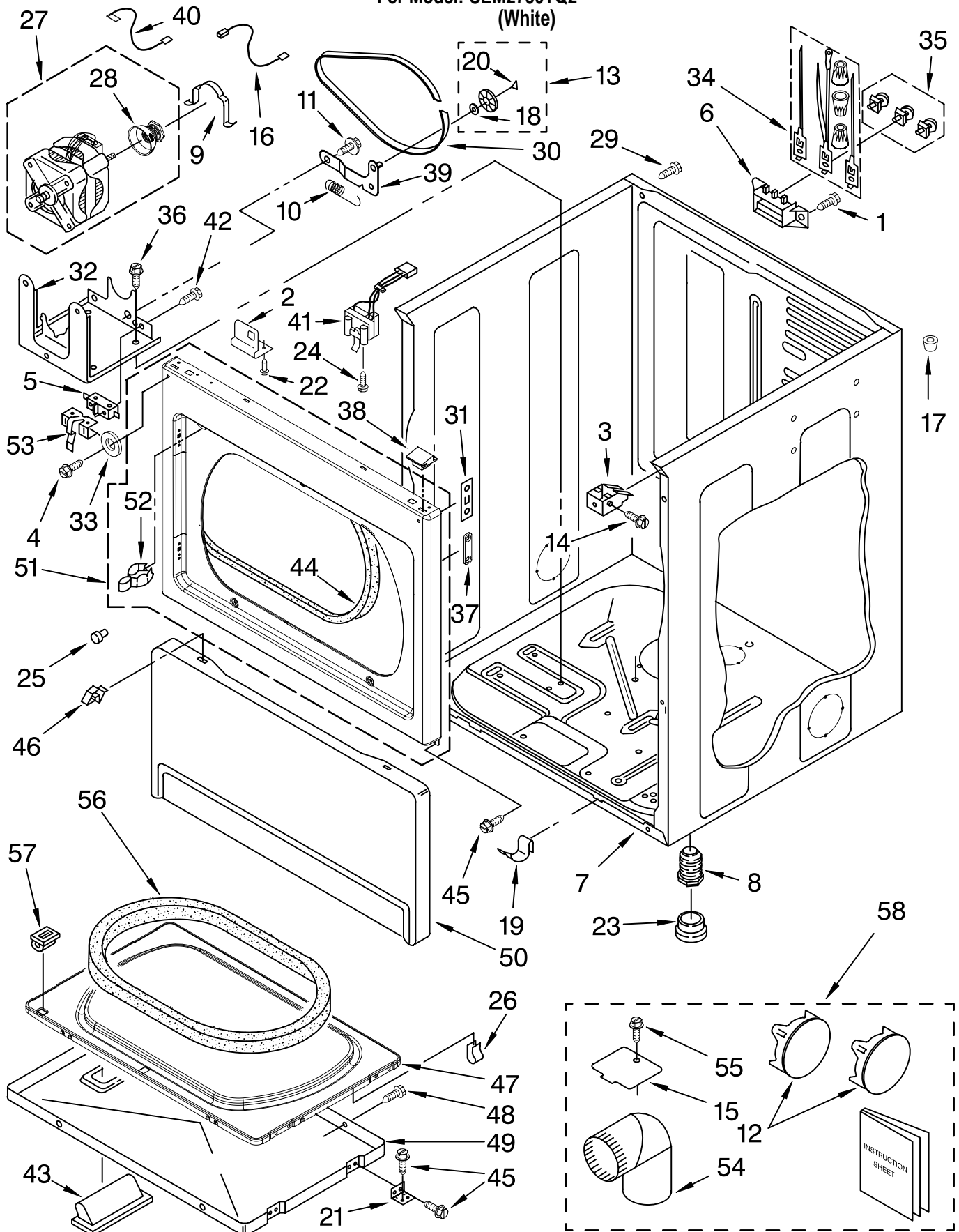
info@esdcoin.com

FOR ORDERING INFORMATION REFER TO PARTS PRICE LIST

CABINET PARTS

For Model: CEM2750TQ2

(White)



FOR ORDERING INFORMATION REFER TO PARTS PRICE LIST

CABINET PARTS

For Model: CEM2750TQ2

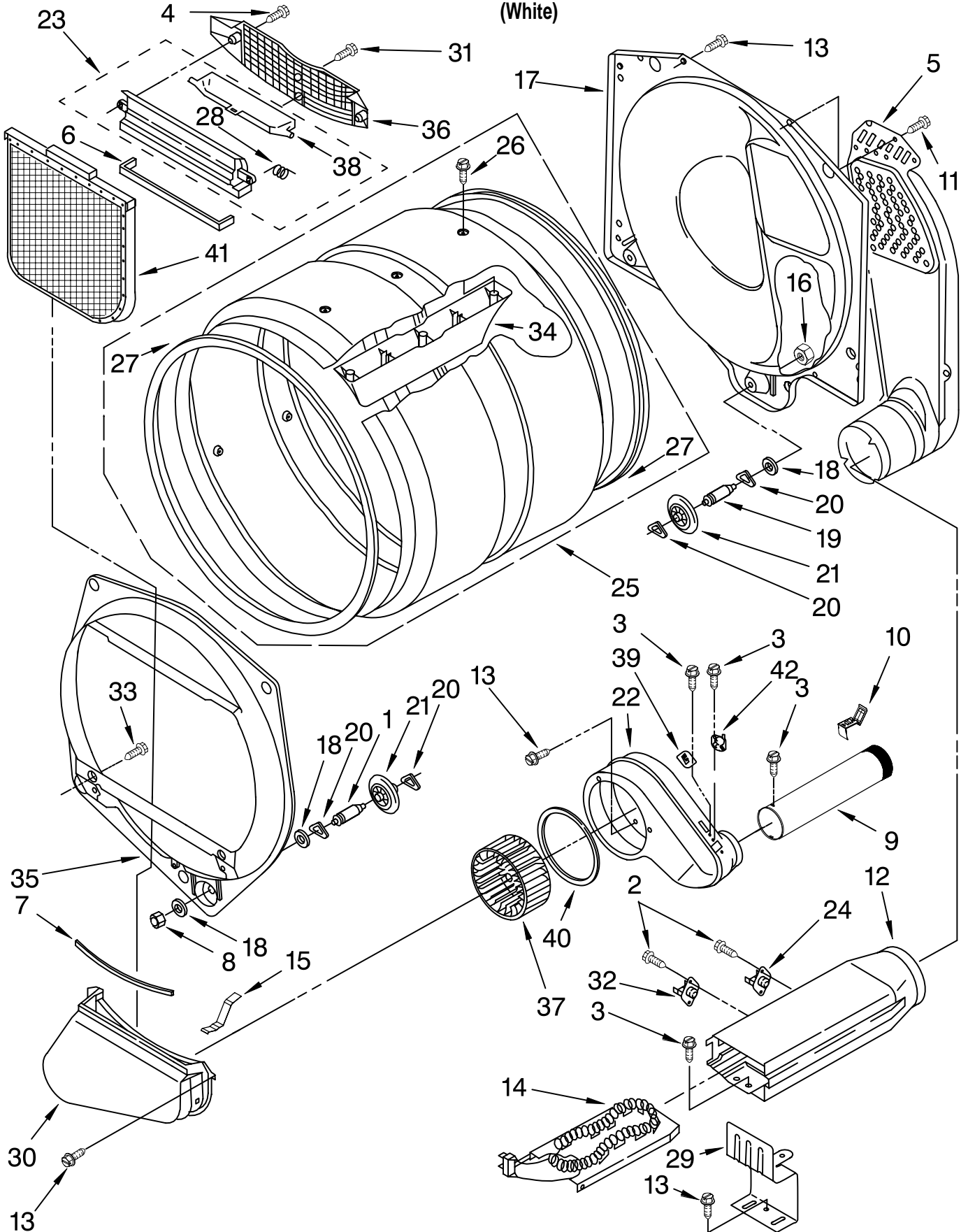
(White)

Illus. No.	Part No.	DESCRIPTION	Illus. No.	Part No.	DESCRIPTION	Illus. No.	Part No.	DESCRIPTION
1	3393008	Screw, 10-16 x 1/2	20	690997	Tri-Ring	41	3406109	Door Switch Assembly
2	3353948	Bracket, Lock	21	3389247	Hinge And Pin (2)	42	98129	Screw, 6-20 x 1-1/16
3	3391846	Clip, Front Panel (2)	22	63554	Rivet (2)	43	3389522	Handle, Door
4	3393258	Screw, 10-16 x 1/2	23	3391943	Boot, Foot	44	3387242	Seal, Front Panel
5	3394881	Switch, Broken Belt	24	697773	Screw, 6-20 x 7/8	45	342055	Screw, 8-18 x 1/2
6	3397659	Block, Terminal	25	693152	Bumper	46	3388229	Retainer
7	8310656	Cabinet	26	3389249	Nut, "U" (4)	47	3392563	Door, Rear
8	3392100	Foot, Dryer (Plastic)	27	8538264	Motor Assembly (60 Hz.)	48	694091	Screw, 8-18 x 3/8
	279810	Foot - Optional (Extended Length Package Of 2) (Not Included)	28	3389627	Pulley	49	3387872	Door, Front
9	W10121316	Clamp, Motor (2)	29	8533974	Screw-Ground	50	697215	Panel, Toe
10	3387374	Spring, Idler	30	3387610	Belt, Drive	51	W10192882	Front Panel
11	3389420	Retainer, Idler	31	3390902	Clip, Door Hinge (2)	52	696144	Strike, Door
12	697750	Plug, Multivent	32	3387118	Bracket, Motor	53	8066120	Lever, Snap Switch
13	3388672	Pulley Assembly	33	3392186	Washer	54	279731	4"-90° Elbow
14	3391915	Screw, 10-16 x 1	34	279318	Terminal, Brass & Tinned (3) (Includes Ill. 35)	55	3390647	Screw, 8-18 x 1/2
15	3394331	Plate, Cover	35	279393	Terminal Block Screw Kit (For Terminal Block)	56	3390735	Seal, Door
16	W10167612	Wire, Belt Switch	36	3390663	Screw, 10-16 x 1/2	57	3392538	Catch, Door Assembly
17	356674	Cone, Wedge	37	W10191265	Plug-Hinge Screw	<hr/> Optional Parts Not Included <hr/>		
18	W10121334	Washer, Thurst	38	345670	Lock-Top	<hr/> Dryer Exhaust Kit (For Side & Bottom Venting) <hr/>		
19	297092	Clip (2)	39	3388674	Bracket, Idler	58	279818	White
			40	3398948	Wire, Jumper			

FOR ORDERING INFORMATION REFER TO PARTS PRICE LIST

BULKHEAD PARTS

For Model: CEM2750TQ2
(White)



FOR ORDERING INFORMATION REFER TO PARTS PRICE LIST

BULKHEAD PARTS

For Model: CEM2750TQ2
(White)

<u>Illus.</u> <u>No.</u>	<u>Part</u> <u>No.</u>	<u>DESCRIPTION</u>
1	8575324	Shaft, R.H. Thread
2	90767	Screw, 8-18 x 3/8
3	8533971	Screw, 8-18 x 5/16
4	3387230	Screw, 10-16 x 3/4
5	697354	Air Duct Assembly
6	697813	Seal, Outlet Housing
7	697814	Seal, Drum Front
8	3934666	Nut, 3/8 x 16 (R.H.)
9	8066224	Exhaust Pipe
10	8572105	Clip
11	693995	Screw, 8-18 x 3/8
12	3392537	Box, Heater
13	3390647	Screw, 8-18 x 1/2
14	3387748	Element, Heater
15	8066208	Clip-Spring
16	W10001120	Nut, 3/8-16 (L.H.)
17	3387809	Bulkhead, Rear
18	3387459	Washer, Support
19	8575325	Shaft, L.H. Thread
20	690997	Ring, Tri
21	8536973	Roller, Support
22	8544362	Housing, Blower
23	3394985	Housing, Outlet
24	8318314	Cut-Off, Thermal (Includes Illus. 32)
25	8318215	Drum Complete
26	W10219342	Screw, 8-16 x 1/2
27	W10166807	Seal, Drum
28	3394986	Spring, Lint Screen
29	8066099	Bracket, Heater Box
30	8066168	Lint Duct Assembly
31	487909	Screw, 8-15 x 1/2
32	3391914	Thermostat 295°F (146°C)
33	3357011	Screw, 10-16 x 1/2
34	697693	Baffle, Drum (3)
35	697557	Bulkhead, Front
36	8299979	Grille, Outlet
37	W10168564	Wheel, Blower
38	3394984	Door, Lint Screen
39	3392519	Thermal Fuse
40	697770	Seal, Cover Plate
41	W10049370	Screen, Lint
42	3387138	Thermostat, Internal-Bias

FOR ORDERING INFORMATION REFER TO PARTS PRICE LIST

OPTIONAL PARTS (NOT INCLUDED)

For Model: CEM2750TQ2
(White)

Illus. No.	Part No.	DESCRIPTION
-------------------	-----------------	--------------------

ACCESSORY PARTS

4392067	Kit, Dryer Repair
8522199	Kit, Dryer Vent Testing

PAINT, TOUCH-UP (1/2oz.)

72017	White
-------	-------

PAINT, PRESSURIZED SPRAY (12 oz.)

350930	White
350938	Primer, Gray

PAINT, BULK (1 qt.)

799344	White (Uncut)
--------	---------------

FOR ORDERING INFORMATION REFER TO PARTS PRICE LIST