



AD-230  
Parts Manual  
Phase 5 24 Vac

---

**American Dryer Corporation**  
88 Currant Road  
Fall River, MA 02720-4781  
Telephone: (508) 678-9000 / Fax: (508) 678-9447  
E-mail: techsupport@amdry.com

[www.amdry.com](http://www.amdry.com)

# Retain This Manual In A Safe Place For Future Reference

American Dryer Corporation products embody advanced concepts in engineering, design, and safety. If this product is properly maintained, it will provide many years of safe, efficient, and trouble free operation.

**ONLY qualified technicians should service this equipment.**

**OBSERVE ALL SAFETY PRECAUTIONS** displayed on the equipment or specified in the installation manual included with the dryer.

The following “**FOR YOUR SAFETY**” caution must be posted near the dryer in a prominent location.

## FOR YOUR SAFETY

Do not store or use gasoline or other flammable vapors and liquids in the vicinity of this or any other appliance.

## POUR VOTRE SÉCURITÉ

Ne pas entreposer ni utiliser d'essence ni d'autres vapeurs ou liquides inflammables à proximité de cet appareil ou de tout autre appareil.

We have tried to make this manual as complete as possible and hope you will find it useful. ADC reserves the right to make changes from time to time, without notice or obligation, in prices, specifications, colors, and material, and to change or discontinue models.

## Important

For your convenience, log the following information:

DATE OF PURCHASE \_\_\_\_\_ MODEL NO. **AD-230**  
RESELLER'S NAME \_\_\_\_\_  
Serial Number(s) \_\_\_\_\_  
\_\_\_\_\_  
\_\_\_\_\_

Replacement parts can be obtained from your reseller or the ADC factory. When ordering replacement parts from the factory, you can FAX your order to ADC at (508) 678-9447 or telephone your order directly to the ADC Parts Department at (508) 678-9000. Please specify the dryer model number and serial number in addition to the description and part number, so that your order is processed accurately and promptly.

The illustrations on the following pages may not depict your particular dryer exactly. The illustrations are a composite of the various dryer models. Be sure to check the descriptions of the parts thoroughly before ordering.

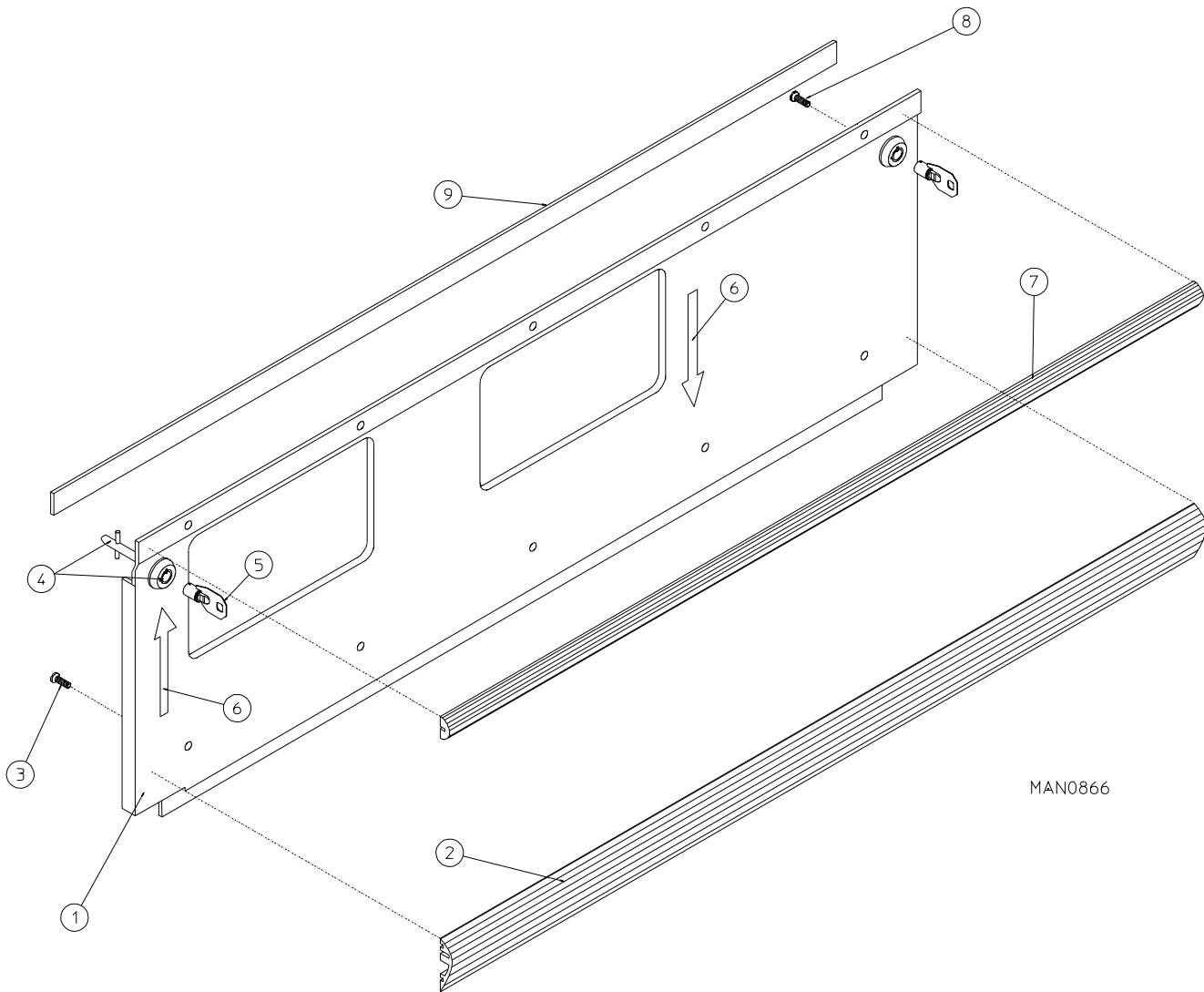
### **“IMPORTANT NOTE TO PURCHASER”**

Information must be obtained from your local gas supplier on the instructions to be followed if the user smells gas. These instructions must be posted in a prominent location near the dryer.

# Table of Contents

Control Door Assembly .....	4
Lower Service Door Assembly .....	5
Microprocessor Control Panel / Box Assemblies for Coin Models Only .....	6
Microprocessor Control Panel / Box Assemblies for Non-Coin Models Only .....	8
Upper Front Panel Assembly .....	10
Upper Lint Screen Assembly .....	11
Upper Main Door Assembly .....	12
Upper Main Door Switch Assembly .....	13
Upper Tumbler / Support Assembly .....	14
Upper Temperature Sensor Bracket Assembly .....	15
Upper Tumbler Bearing Assembly .....	16
Upper Idler Bearing Assembly .....	17
Upper Totally Enclosed, Fan-Cooled Motor Mount Assembly .....	18
Upper Direct Spark Ignition Gas Valve / Burner Assembly .....	20
Upper Gas Burner Chamber Assembly .....	22
3-Phase (3Ø) Motor, Electrical Relay Panel Assembly .....	23
Upper Sail Switch Assembly .....	24
Gas Piping Assembly .....	25
Exhaust Ducting Assembly .....	26
Back Guard Assembly .....	27
Microprocessor Coin Acceptor Listing .....	28
Additional Parts Available .....	29

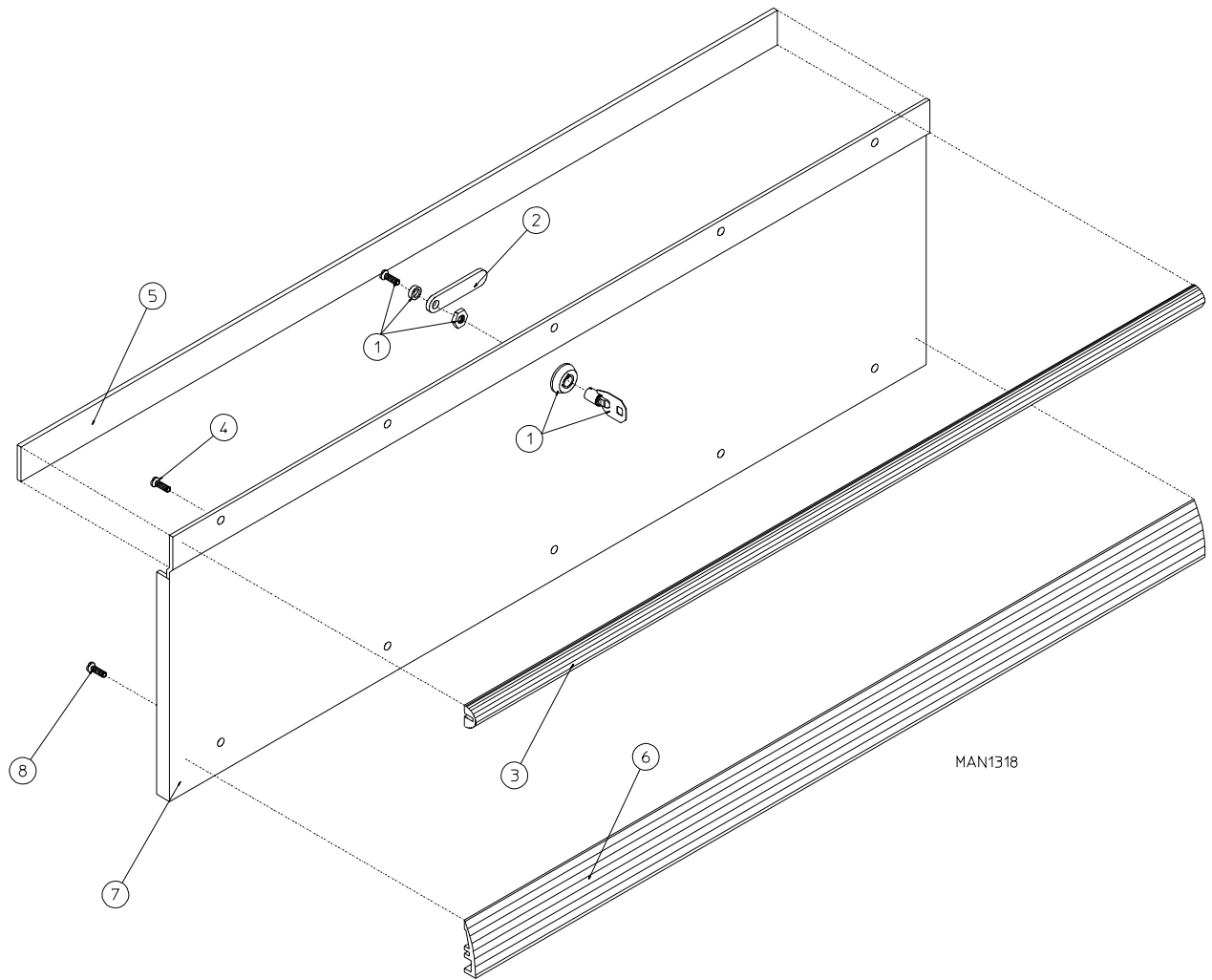
# Control Door Assembly



MAN0866

Illus. No.	Part No.	Qty.	Description
1	880136*	1	Control Door Assembly Complete Less Locks (includes illus. nos. 1 through 3 and 6 through 9)
	880135	1	Stainless Steel Control Door Assembly Complete Less Locks (includes illus. nos. 1 through 3 and 6 through 9)
	850432*	1	Control Door Only
	850416	1	Stainless Steel Control Door Only
2	180213	1	Lower Trim Strip (28-3/8" length)
3	150201	5	#10-32 x 1/4" Phillips Round Head Machine Screw
4	160040	2	ACE® Lock Assembly Only without Key
5	160140	2	ACE® Key Only (key no. XX4451)
6	112077	2	"Arrow" Label
7	180205	1	Upper Trim Strip (28-3/8" length)
8	150201	5	#10-32 x 1/4" Phillips Round Head Machine Screw
9	117600	3	Noise Suppressor Tape (sold by the foot)

\* Specify color when ordering.



<u>Illus. No.</u>	<u>Part No.</u>	<u>Qty.</u>	<u>Description</u>
1	160038	1	ACE® Lock Assembly Only without Key
	160140*	1	ACE® Key Only (key no. XX4451)
2	160034*	1	1-3/8" Lock Cam Only
3	180205	1	Upper Trim Strip (28-3/8" length)
4	150201	5	#10-32 x 1/4" Phillips Round Head Machine Screw
5	117600	3	Noise Suppressor Tape (sold by the foot)
6	180213	1	Lower Trim Strip (28-3/8" length)
7	880138**	1	Lower Service Door Assembly Complete Less Lock (includes illus. nos. 3 through 8)
	880137	1	Stainless Steel Lower Service Door Assembly Complete Less Lock (includes illus. nos. 3 through 8)
	850609**	1	Lower Service Door Only
	850637	1	Stainless Steel Lower Service Door Only
8	150201	5	#10-32 x 1/4" Phillips Round Head Machine Screw

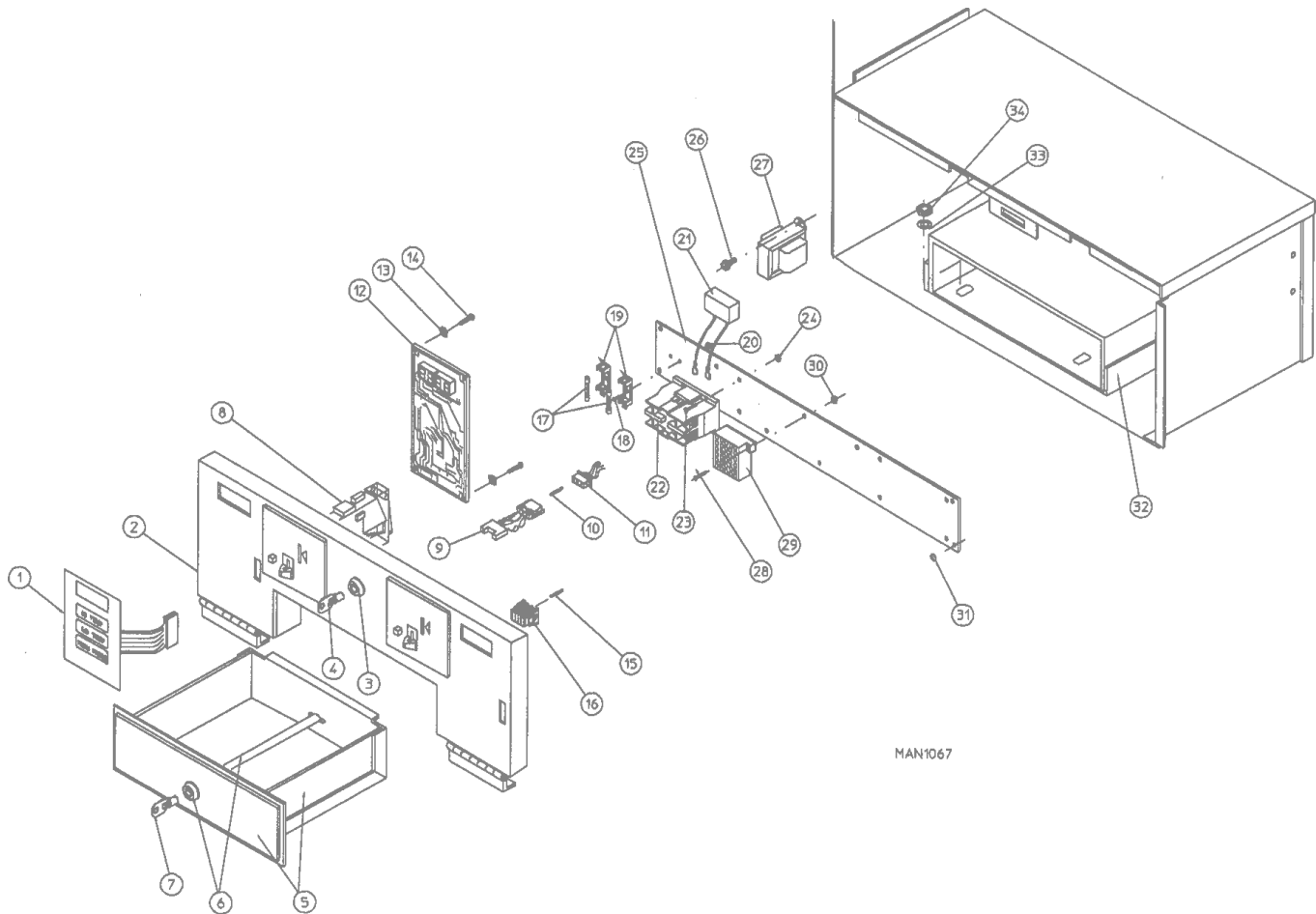
\* Parts must be purchased separately.

\*\* Specify color when ordering.

# Microprocessor Control Panel / Box Assemblies

For Coin Models Only

Note: Duplicate All Components on Right Side of Control Box



MAN1067

<u>Illus. No.</u>	<u>Part No.</u>	<u>Qty.</u>	<u>Description</u>
1	112526	1	Coin Keypad Label Assembly
2	801201	1	Phase 5 Microprocessor Coin Control Panel Assembly (includes illus. nos. 1, 2, and 12 through 14)
	801251	1	Phase 5 Microprocessor Coin Control Panel Only
3	160041	1	ACE® Lock Assembly Only without Key
4	160141	1	ACE® Key Only (key no. XX4469)
5	802142	1	Standard Coin Box Assembly Complete (includes illus. nos. 5 through 7)
	802143	1	High-Security Coin Box Assembly Complete (includes illus. nos. 5 through 7)
	802021	1	Standard Coin Box Only
	802144	1	High Security Coin Box Only
6*	160042	1	ACE® Standard Coin Box Lock Assembly Only with Key
	160043	1	ACE® High-Security Coin Box Lock Assembly Only with Key
7*	160136	1	Key Only (for standard coin box lock)
	160135	1	Key Only (for high-security coin box lock)

# Microprocessor Control Panel / Box Assemblies

For Coin Models Only

<u>Illus. No.</u>	<u>Part No.</u>	<u>Qty.</u>	<u>Description</u>
8	————	1	Microprocessor Coin Acceptor with Optical Switch <b>(refer to Microprocessor Coin Acceptor Listing on page 28)</b>
9	137056****	1	Optic Switch Only
10	137021****	3	Microprocessor Socket Only
11	137023****	1	Optical Switch Connector Only
	880772	1	Single Coin Optical Switch Harness Only
	824080	1	Dual Coin Optical Switch Harness Only
12	137213	1	Phase 5 Coin Controller Only
	824998	1	Phase 5 Battery Clip
13	153010	2	#6 Star Washer
14	150005	2	#6-32 x 1/4" Phillips Round Head Machine Screw
15	122706	**	Microprocessor Socket Only
16	122641	1	15-Pin Microprocessor Connector Only
	122800	1	Microprocessor (female) Pin Extraction Tool
17	136057	1 or 2	1/2-Amp (Slo-Blo) Fuse
18	150002	1 or 2	#6-32 x 1" Round Head Machine Screw
19	136008	1 or 2	3-Position Fuse Block
20	151000	1 or 2	#6-32 Pal Nut
21	824828	1	RC Network with Connectors
22	132451	1	2-Pole Contactor
23	150103	2	#8-32 x 3/4" Round Head Machine Screw
24	151001	2	#8-32 Pal Nut
25	824435	1	Control Box Panel Assembly Complete (gas models Only) (includes illus. nos. 19 through 22 and 25 through 27)
	824436	1	Control Box Panel Assembly Complete (electric models Only) (includes illus. nos. 19 through 22 and 25 through 27)
26	150300	2	#10 x 1/2" Hex Washer TEK Screw
27	141403	1	24VAC Transformer (60 Hz models)
	132023	1	24VAC Transformer (50 Hz models)
28	150002	2	#6-32 x 1" Slotted Round Head Screw
29	120715	1	30-Position Terminal Block
30	151000	2	#6-32 Pal Nut
31	151001	6	#8-32 Hex Nut
32	802140	1	Standard Coin Vault Only
	802141	1	High-Security Coin Vault Only
33	153018***	4	1/4" Flat Washer
34	152104	4	1/4-20 Free Spin Wash Nut
	152002***	4	1/4-20 Hex Nut

**IMPORTANT:** Check label on computer chip to verify correct part number for controller.

\* Specify key number when ordering.

\*\* Quantity as required.

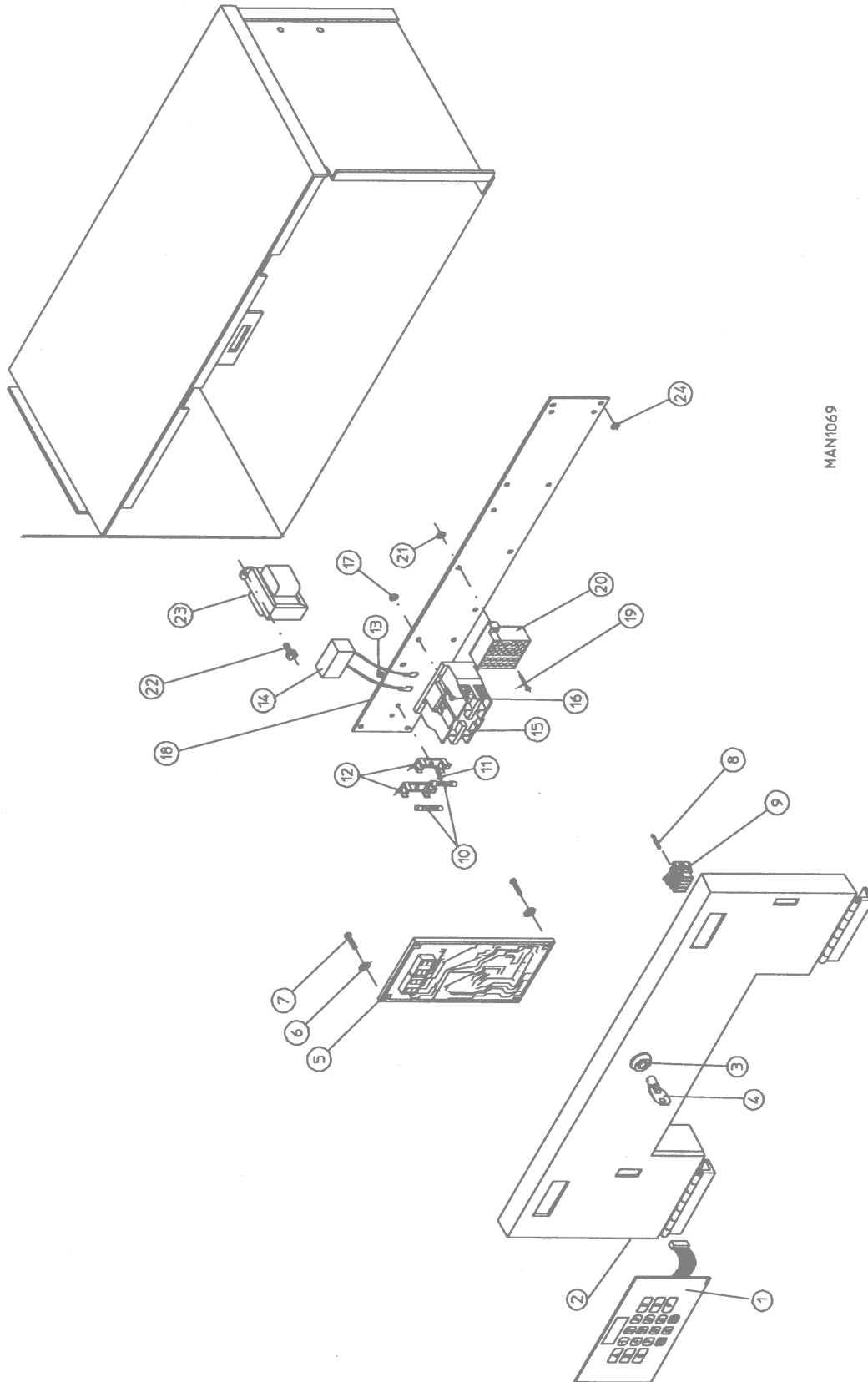
\*\*\* For use on high-security coin vault only.

\*\*\*\* For dual coin, double the quantity.

# Microprocessor Control Panel / Box Assemblies

For Non-Coin Models Only

Note: Duplicate All Components on Right Side of Control Box





# Microprocessor Control Panel / Box Assemblies

For Non-Coin Models Only

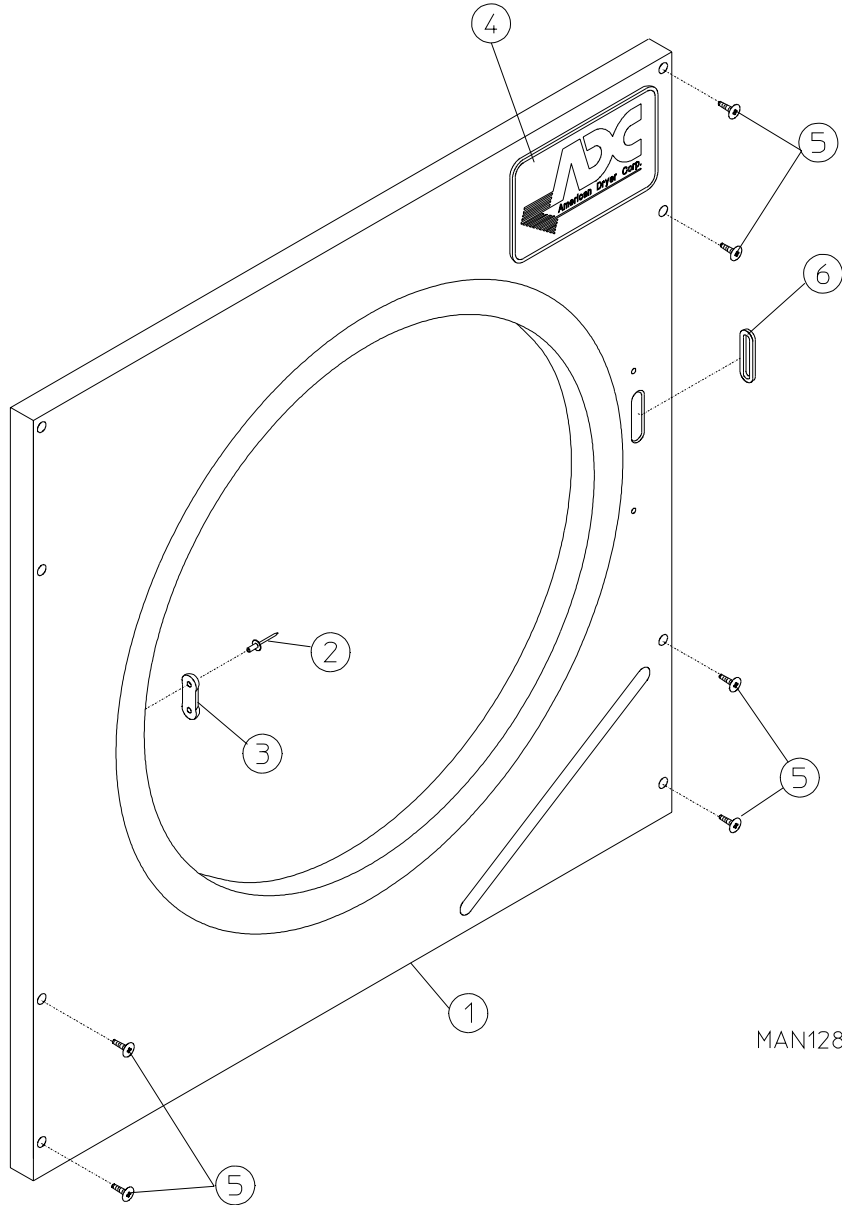
<u>Illus. No.</u>	<u>Part No.</u>	<u>Qty.</u>	<u>Description</u>
1	112535	1	Non-Coin English Keypad Label Assembly
2	824444	1	Phase 5 Non-Coin Microprocessor Control Panel Assembly (includes illus. nos. 1, 2, and 5 through 7)
3	160041	1	ACE® Lock Assembly Only without Key (for control panel assembly)
4	160141	1	ACE® Key Only (key no. XX4469)
5	137222	1	Phase 5 Non-Coin Controller
	824998	1	Phase 5 Battery Clip
6	153010	2	#6 Star Washer
7	150005	2	#6-32 x 1/4" Phillips Round Head Machine Screw
8	122706	*	Microprocessor Socket
9	122641	1	15-Pin Microprocessor Connector Only
10	136057	1 or 2	1/2-Amp (Slo-Blo) Fuse
11	150002	1 or 2	#6-32 x 1" Round Head Machine Screw
12	136008	1 or 2	3-Position Fuse Block
13	151000	1 or 2	#6-32 Pal Nut
14	824828	1	RC Network with Connectors
15	132451	1	2-Pole Contactor
16	150103	2	#8-32 x 3/4" Round Head Machine Screw
17	151001	2	#8-32 Pal Nut
18	824435	1	Control Box Panel Assembly Complete (gas models Only) (includes illus. nos. 10 through 21)
	824436	1	Control Box Panel Assembly Complete (electric models Only) (includes illus. nos. 10 through 21)
19	150002	2	#6-32 x 1" Slotted Round Head Screw
20	120715	1	30-Position Terminal Block
21	151000	2	#6-32 Pal Nut
22	150300	2	#10 x 1/2" Hex Washer TEK Screw
23	141403	1	24VAC Transformer (60 Hz models)
	132023	1	24VAC Transformer (50 Hz models)
24	151001	6	#8-32 Hex Nut

IMPORTANT: Check label on computer chip to verify correct part number for controller.

\* Quantity as required.

# Upper Front Panel Assembly

Note: Duplicate All Components Except Logo for Lower Front Panel Assembly



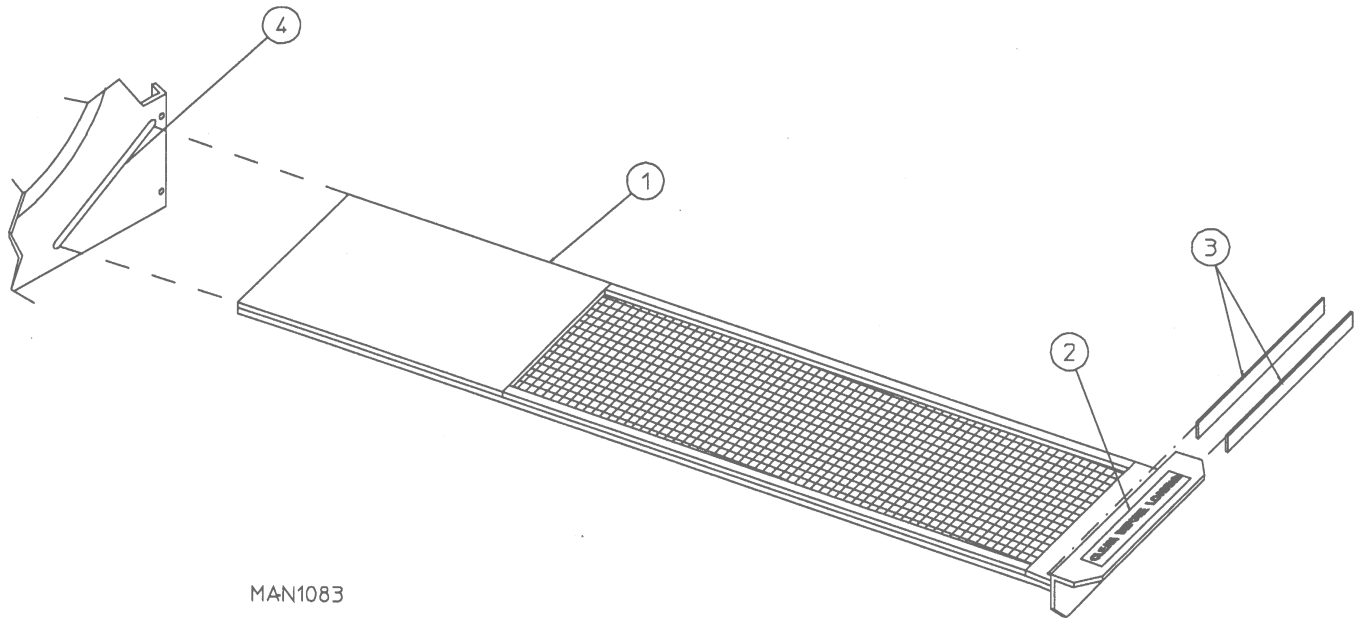
MAN1289

Illus. No.	Part No.	Qty.	Description
1	800680*	1	Front Panel Assembly Complete with Hinge (includes illus. nos. 1 through 4)
	800681	1	Stainless Steel Front Panel Assembly Complete with Hinge (includes illus. nos. 1 through 4)
2	154215	2	5/32" Pop Rivet
3	170330	1	Friction Door Latch
4	112350	1	ADC Logo Only (for upper panel assembly Only)
	870011	1	Logo Double Tape Kit
5	150415	8	#10-16 x 1/2" Phillips Round Head Crimp-tite Screw
6	121405	1	Rubber Grommet

\* Specify color when ordering.

# Upper Lint Screen Assembly

Note: Duplicate All Components for Lower Lint Screen Assembly

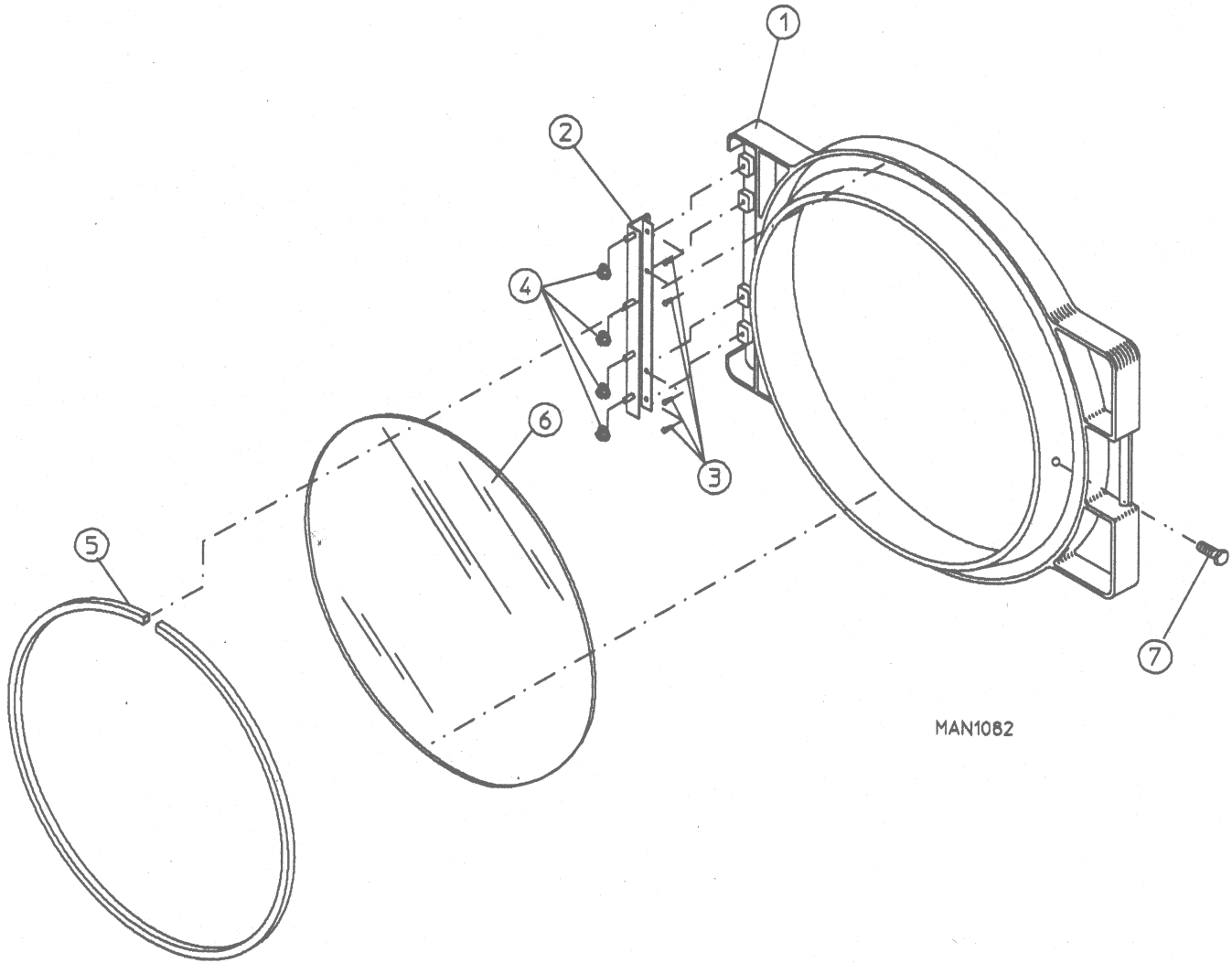


Illus. No.	Part No.	Qty.	Description
1	800416*	1	Lint Screen Assembly Complete (includes illus. nos. 1 through 3)
	800430	1	Stainless Steel Lint Screen Assembly Complete (includes illus. nos. 1 through 3)
2	112078	1	"Clean Before Loading" Decal
3	117600	2	Noise Suppressor Tape (sold by the foot)
4	—	1	Front Panel <b>(refer to Upper Front Panel Assembly on page 10)</b>
—	880660	1	Lint Track Cleaning Tool

\* Specify color when ordering.

# Upper Main Door Assembly

Note: Duplicate All Components for Lower Main Door Assembly

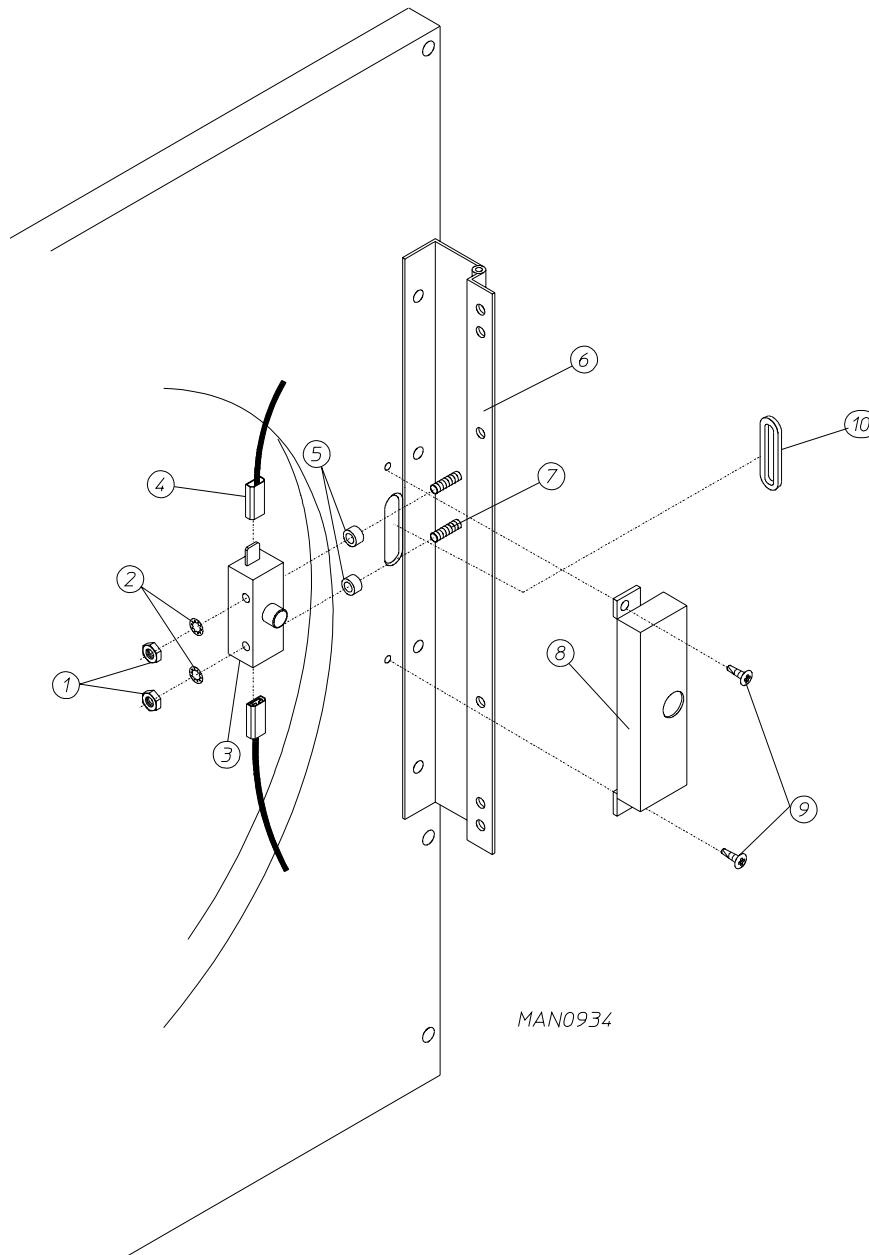


Illus. No.	Part No.	Qty.	Description
1*	800285	1	Gray Main Door Assembly (latch-type) Complete (includes illus. nos. 1 and 5 through 7)
2	800448	1	12-1/2" Stainless Steel Main Door Hinge
3	150410	4	#10-24 x 3/8" Phillips Pan Head Taptite Screw
4	152014	4	1/4-20 Free Spin Wash Nut
5	102353	1	69-1/2" Main Door Gasket
	170730	1	Main Door Gasket Adhesive (10.3 oz. cartridge)
6	102210	1	20-7/16" Door Glass
	170730	1	Main Door Glass Adhesive (10.3 oz. cartridge)
7	150431	1	Main Door Latch Screw (#10 x 7/16" dome head screw)

\* Contact factory for colors other than gray.

# Upper Main Door Switch Assembly

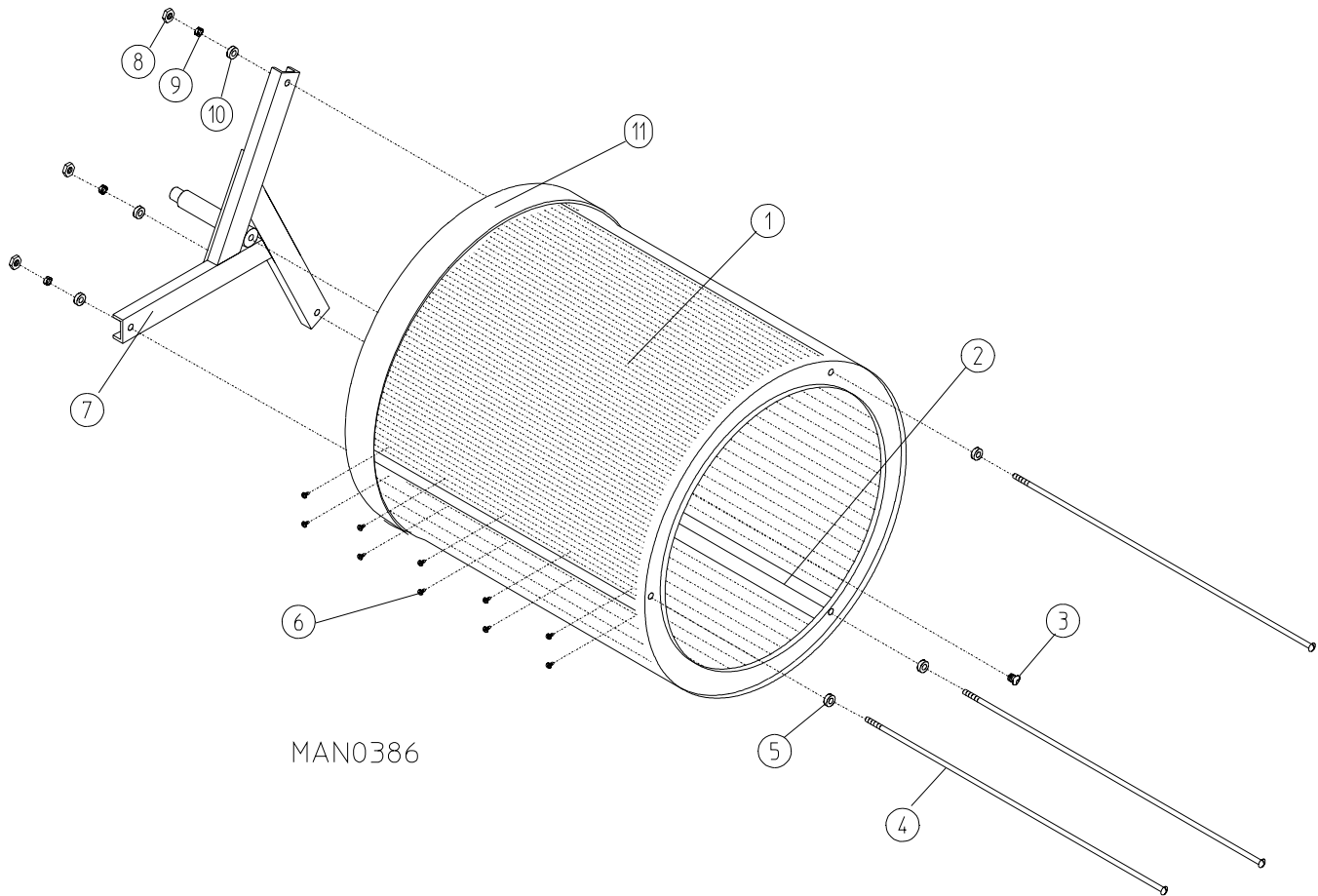
Note: Duplicate All Components for Lower Main Door Switch Assembly



Illus. No.	Part No.	Qty.	Description
1	152012	2	#6-32 Hex Nut
2	153008	2	#6 Split Lock Washer
3	137005	1	Single Pole Door Switch
4	121028	2	Insulated Female Terminal
5	154281	2	3/8" Standard Nylon Spacer
6	800448	1	12-1/2" Stainless Steel Main Door Hinge (includes illus. nos. 6 and 7)
7	153565	2	#6 Stud
8	313218	1	Main Door Switch Housing
9	150201	2	#10-32 x 1/4" Phillips Pan Head Screw
10	121405	1	Rubber Grommet

# Upper Tumbler / Support Assembly

Note: Duplicate All Components for Lower Tumbler / Support Assembly

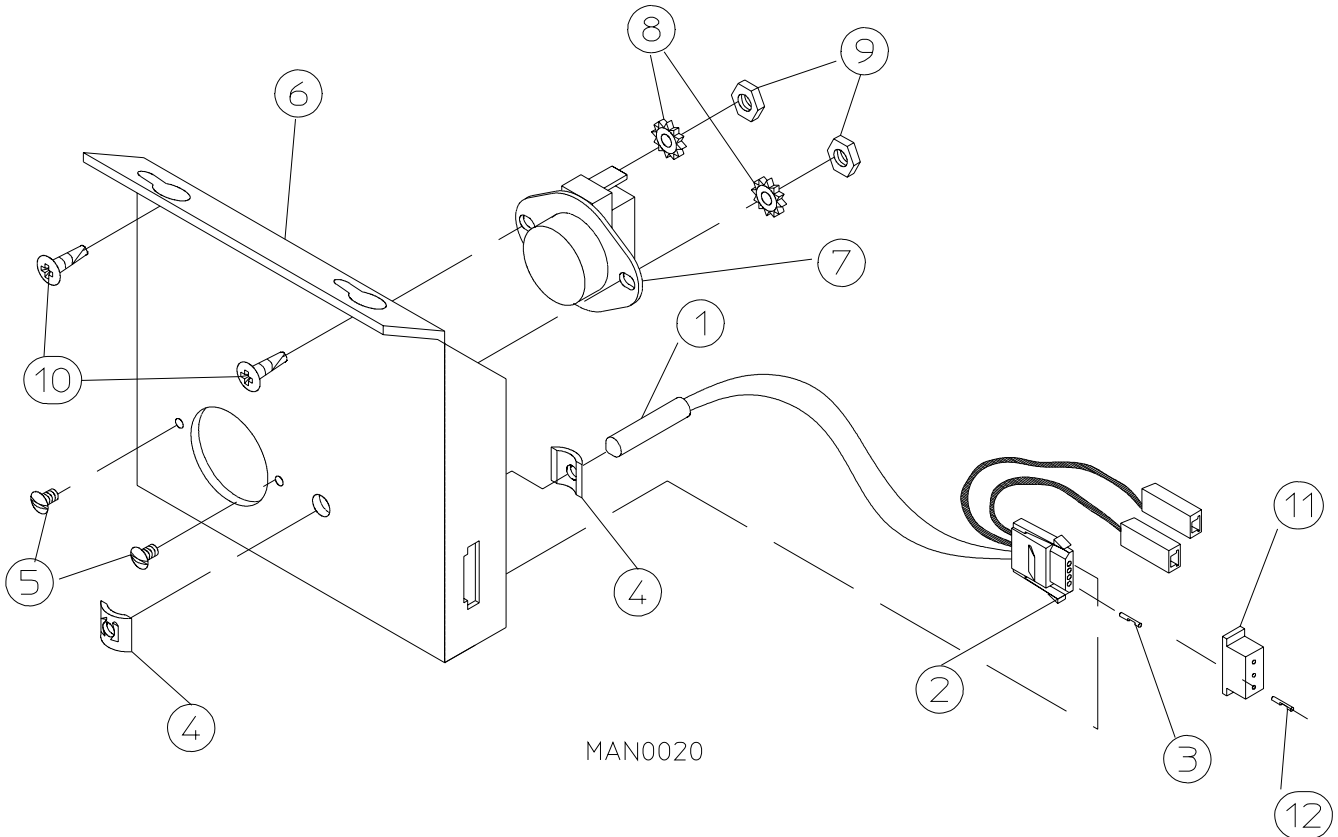


MAN0386

<u>Illus. No.</u>	<u>Part No.</u>	<u>Qty.</u>	<u>Description</u>
1	800831	1	(Tapered Rib) Basket and Support Assembly Complete with Felt Collar (includes illus. nos. 1 through 11)
	800891	1	Stainless Steel (Tapered Rib) Basket and Support Assembly Complete with Felt Collar (includes illus. nos. 1 through 11)
	800721	1	(Tapered Rib) Basket Only without Felt Collar (includes illus. nos. 1, 2, and 6)
	800841	1	Stainless Steel (Tapered Rib) Basket without Felt Collar (includes illus. nos. 1, 2, and 6)
2	301315	2	Short Basket Rib Only
	301316	1	Tall Basket Rib Only
	301414	2	Stainless Steel Short Basket Rib Only
	301415	1	Stainless Steel Tall Basket Rib Only
3	150518	1	5/16-18 x 3/8" Socket Button Head Screw
4	100902	3	5/16-18 x 31" Tie Rod
5	153001	3	5/16" Flat Washer
6	154210	30	5/32" x 3/16" Pop Rivet
7	800617	1	Tumbler Support Only
8	152004	3	5/16-18 Hex Nut
9	153002	3	5/16" Lock Washer
10	153001	3	5/16" Flat Washer
11	116003	1	Felt Collar Only
—	401010	1	#847 Adhesive for Felt Collar (5 oz. tube)

# Upper Temperature Sensor Bracket Assembly

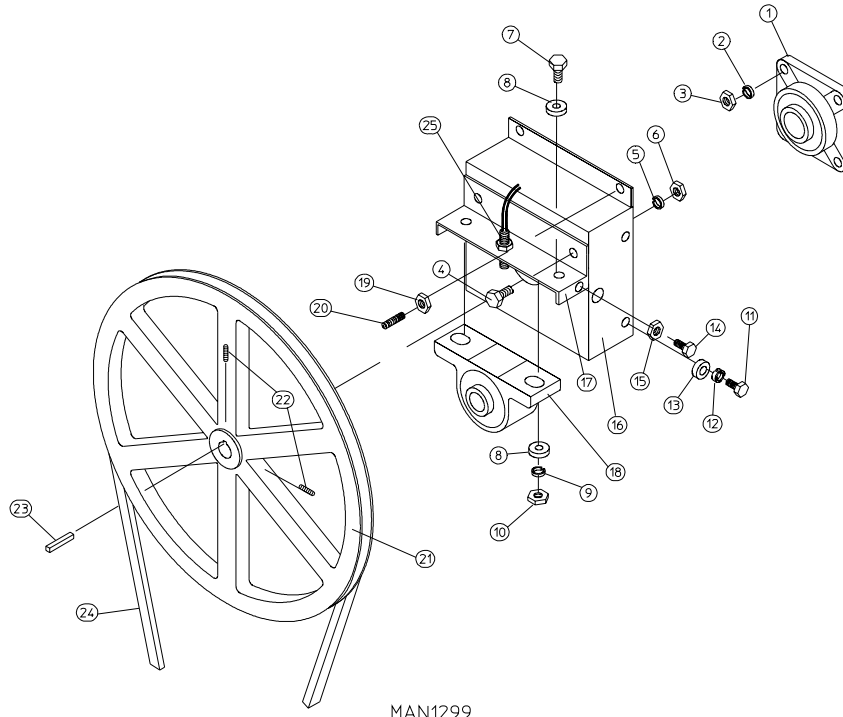
Note: Duplicate All Components for Lower Temperature Sensor Bracket Assembly



Illus. No.	Part No.	Qty.	Description
1	880251	1	1/4" Temperature Sensor Probe Assembly (includes illus. nos. 1 through 4)
2	122605	1	4-Pin Socket Connector Only
3	122701	4	Socket Terminal Only
4	154007	2	1/4" Tinnerman Push-On Fastener
5	150000	2	#6-32 x 1/4" Round Head Machine Screw
6	801428	1	Temperature Sensor Bracket Assembly Complete (includes illus. nos. 1 through 9)
	305107	1	Temperature Sensor Bracket Only
7	130103	1	225° Large Automatic Reset Thermostat
8	153010	2	#6 Star Washer
9	152000	2	#6-32 Hex Nut
10	150301	2	#8-18 x 7/16" Phillips Pan Head TEK Screw
11	122604	1	4-Pin Connector Only
12	122700	4	Pin Terminal Only
—	122801	1	Pin / Socket Extraction Tool

# Upper Tumbler Bearing Assembly

Note: Duplicate All Components for Lower Tumbler Bearing Assembly

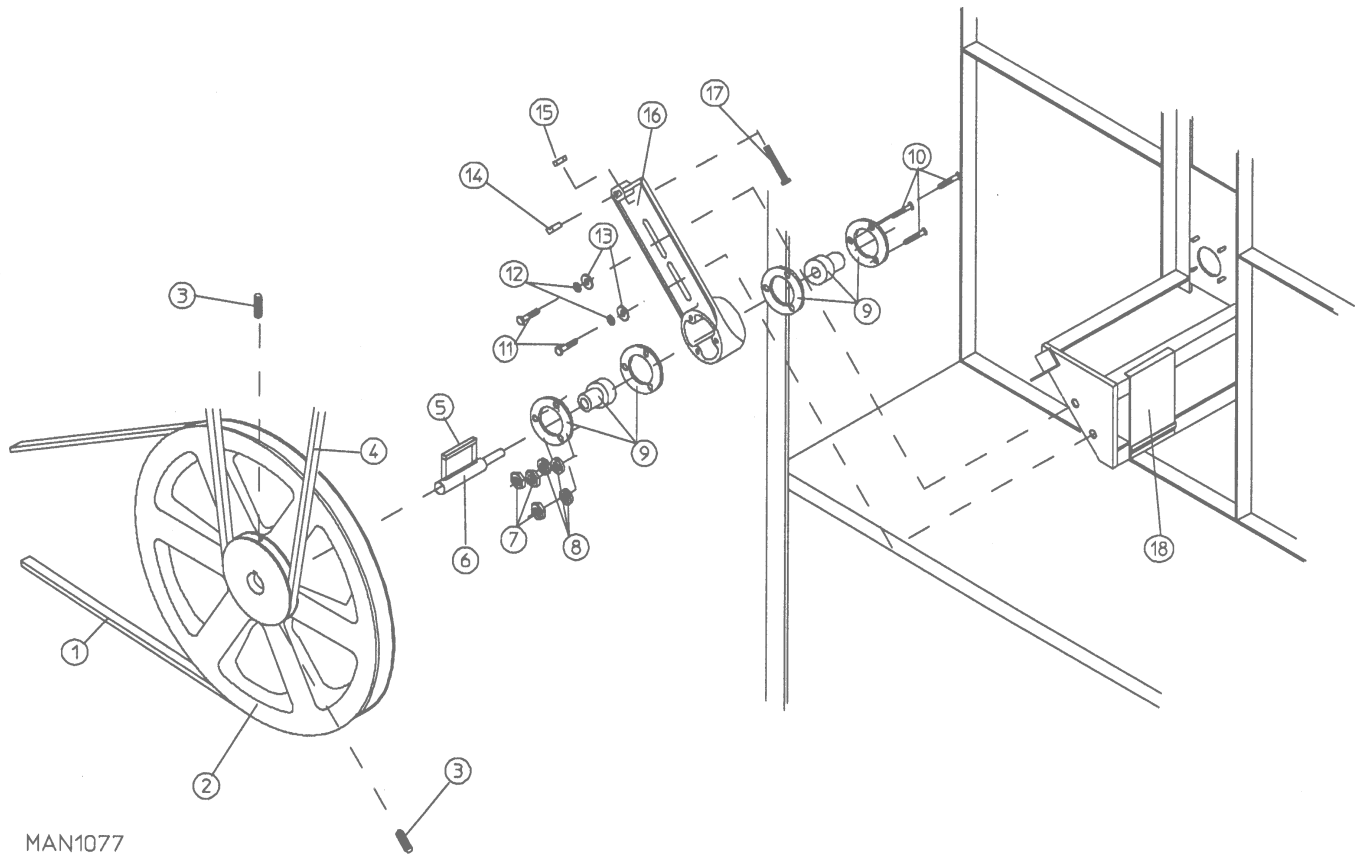


Illus. No.	Part No.	Qty.	Description
1	100203	1	1-3/8" Flange Bearing
2	153005	4	3/8" Lock Washer
3	152005	4	3/8-16 Hex Nut
4	150508	2	3/8-16 x 3/4" Hex Head Machine Bolt
5	153005	2	3/8" Lock Washer
6	152005	2	3/8-16 Hex Nut
7	150600	2	3/8-16 x 1-1/2" Hex Head Machine Bolt
8	153004	2	3/8" Flat Washer
9	153005	2	3/8" Lock Washer
10	152005	2	3/8-16 Hex Nut
11	150501	4	5/16-18 x 3/4" Hex Head Machine Bolt
12	153002	4	5/16" Lock Washer
13	153001	4	5/16" Flat Washer
14	150621	2	5/16-18 x 1-1/2" Hex Head Machine Bolt
15	152004	2	5/16-18 Hex Nut
16	801101	1	1-3/8" Bearing Box Assembly Complete (for models without rotational sensor) (includes illus. nos. 4 through 20)
	801103	1	1-3/8" Bearing Box and Support Only (includes illus. nos. 9, 10, and 13 through 15)
	801105	1	1-3/8" Bearing Box Only
17	801104	1	Pillow Block Bearing Support Only
18	880779	1	1-3/8" Pillow Block Bearing Assembly with Magnet (for models with rotational sensor)
	100202	1	1-3/8" Pillow Block Bearing
19	152004	2	5/16-18 Hex Nut
20	150610	2	5/16-18 x 1-1/2" Allen Setscrew
21	101100	1	18" Pulley
22	154301	2	5/16-18 x 5/16" Allen Setscrew
23	100713	1	1/4" x 1/4" x 7/8" Key
24	100100	1	5L660 V-Belt (to idler assembly)
25	824807	1	Rotational Sensor Assembly



# Upper Idler Bearing Assembly

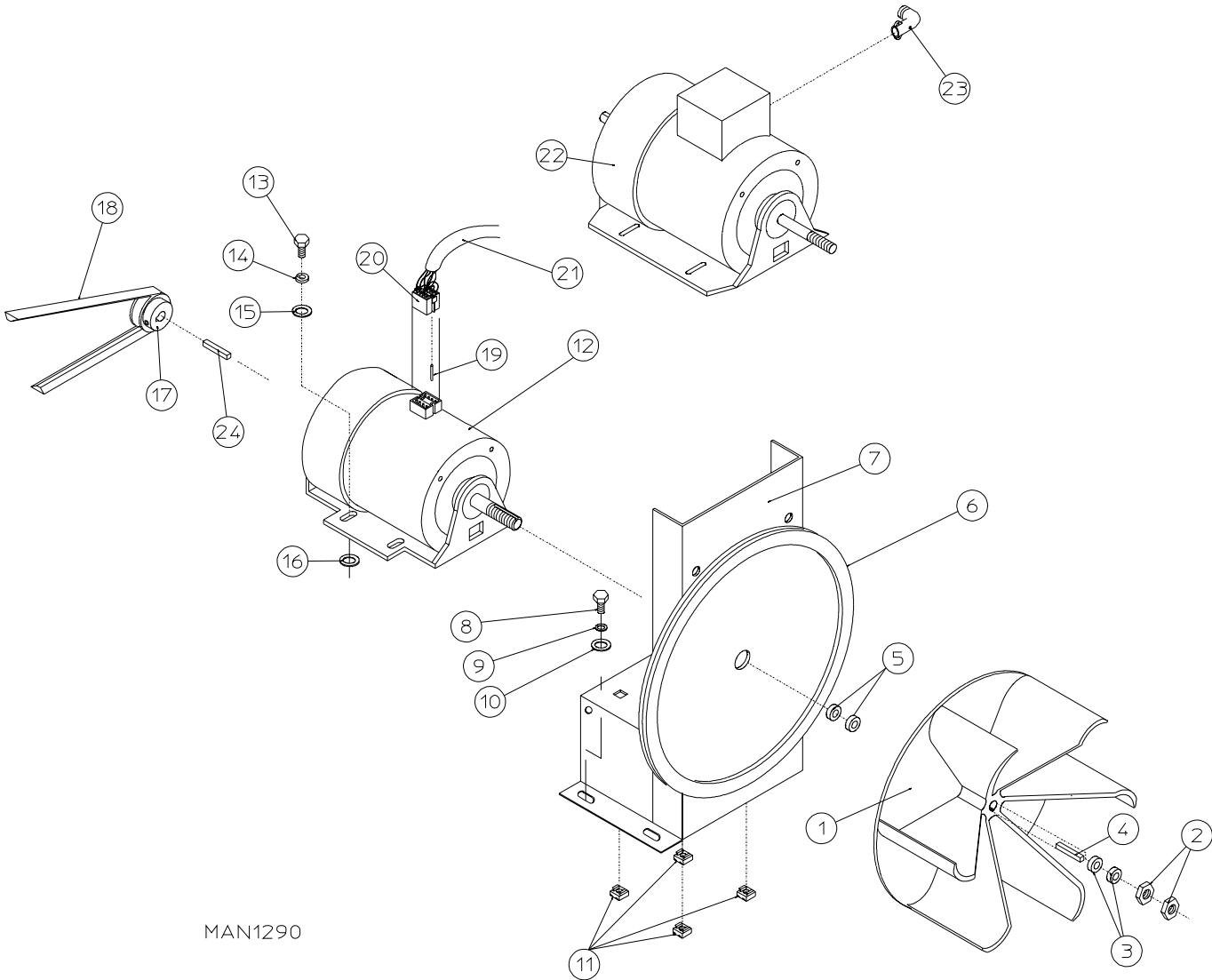
Note: Duplicate All Components for Lower Idler Bearing Assembly



Illus. No.	Part No.	Qty.	Description
1	100113	1	4L400 V-Belt (to motor pulley) for 60 Hz Models Only
	100115	1	4L410 V-Belt (to motor pulley) for 50 Hz Models Only
2	101129	1	9" x 2-1/2", 3/16" Key, Pulley
3	154301	2	5/16-18 x 5/16" Allen Setscrew
4	100100	1	5L660 V-Belt (to tumbler pulley)
5	100705	1	3/16" x 3/16" x 1-3/8" Key
6	301850	1	5/8" x 3/4" Idler Shaft
7	152002	3	1/4-20 Hex Nut
8	153007	3	1/4" Lock Washer
9	100214	2	5/8" Flange Bearing
10	150521	3	1/4-20 x 2" Carriage Bolt
11	150617	2	3/8-16 x 1" Hex Head Machine Bolt
12	153005	2	3/8" Lock Washer
13	153004	2	3/8" Flat Washer
14	152020	1	5/16-18 Standard Square Nut
15	152004	1	5/16-18 Hex Nut
16	801010	1	Idler Bearing Assembly Complete (includes illus. nos. 6 through 17)
	100406	1	Idler Bearing Mount Only
17	150509	1	5/16-18 x 3" Hex Head Machine Bolt
18	—		Direct Spark Ignition Module Mounting Bracket (refer to Upper Direct Spark Ignition Gas Valve / Burner Assembly on page 20)

# Upper Totally Enclosed, Fan-Cooled Motor Mount Assembly

Note: Duplicate All Components for Lower Totally Enclosed, Fan-Cooled Motor Mount Assembly



MAN1290

## *Upper Totally Enclosed, Fan-Cooled Motor Mount Assembly*

Note: Duplicate All Components for Lower Totally Enclosed, Fan-Cooled Motor Mount Assembly

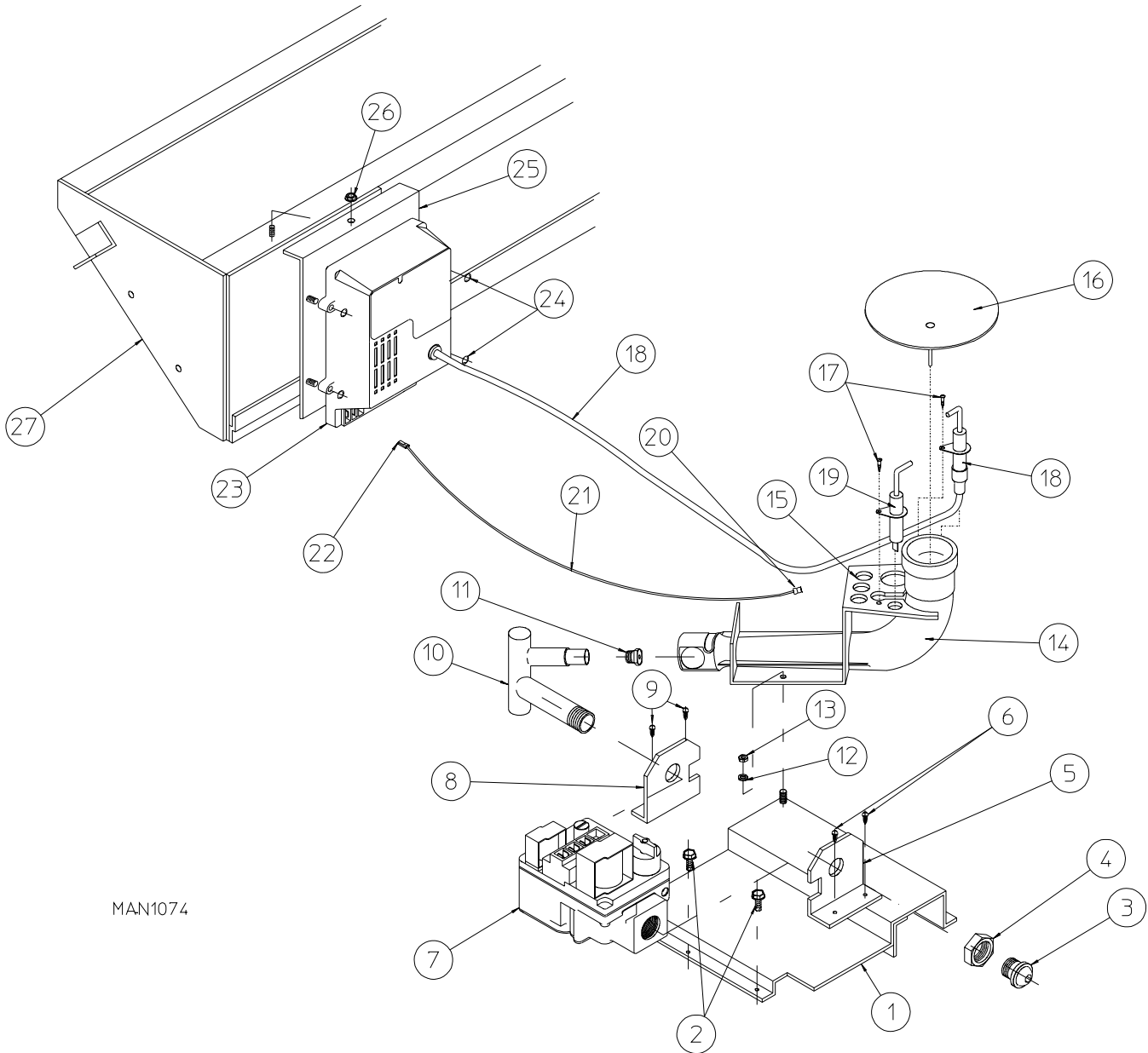
<u>Illus. No.</u>	<u>Part No.</u>	<u>Qty.</u>	<u>Description</u>
1	100604	1	12-1/2" Impellor with 1/2" Bore
2	152006	2	1/2-20 Left-Hand Jam Nut
3	153050	*	1/2" S.A.E. Flat Washer
4	100702	1	1/8" x 1/8" x 1-1/2" Key
5	153050	*	1/2" S.A.E. Flat Washer
6	117600	4	Noise Suppressor Tape (sold by the foot)
7	850019	1	Motor Mount Only
	803963**	1	1/2 hp, 100v – 50 Hz / 115-230v – 60 Hz 1ø Totally Enclosed, Fan-Cooled Motor Mount Assembly Complete with Plug Motor (includes illus. nos. 1 through 7 and 11 through 17)
	803961**	1	1/2 hp 240v – 50 Hz 1ø Totally Enclosed, Fan-Cooled Motor Mount Assembly Complete with Plug Motor (for models mfd. as of August 28, 1992) (includes illus. nos. 1 through 7 and 11 through 17)
	803902**	1	1/2 hp 208 / 230 / 380 / 460v 50 Hz 3ø Totally Enclosed, Fan-Cooled Motor Mount Assembly Complete (includes illus. nos. 1 through 7, 11, 13 through 17, 22, and 23)
	880848**	1	1/2 hp 208 / 230 / 380 / 460v 60 Hz 3ø Totally Enclosed, Fan-Cooled Motor Mount Assembly Complete (includes illus. nos. 1 through 7, 11, 13 through 17, 22, and 23)
	803887**	1	1/2 hp 240v 50 Hz 1ø Totally Enclosed, Fan-Cooled Motor Mount Assembly Complete without Plug Motor (for models mfd. prior to August 28, 1992) (includes illus. nos. 1 through 7, 11, 13 through 17, 22, and 23)
8	150501	4	5/16-18 x 3/4" Hex Head Machine Bolt
9	153002	4	5/16" Lock Washer
10	153001	4	5/16" Flat Washer
11	154000	4	5/16-18 Tinnerman Nut
12	100065	1	1/2 hp, 100v – 50 Hz / 115-230v – 60 Hz 1ø Totally Enclosed, Fan-Cooled Motor with Plug
	100066	1	1/2 hp, 240v – 50 Hz – 1ø Totally Enclosed, Fan-Cooled Motor with Plug (for models mfd. as of August 28, 1992)
13	150501	4	5/16-18 x 3/4" Hex Head Machine Bolt
14	153002	4	5/16" Lock Washer
15	153001	4	5/16" Flat Washer
16	153001	*	5/16" Flat Washer
17	101131	1	1/2" x 2-1/4" Motor Pulley (used on 1ø, 60 Hz motors Only)
	101133	1	5/8" x 2-1/4" Motor Pulley (used on 3ø, 60 Hz motors Only)
	101130	1	5/8" x 2-1/2" Motor Pulley (used on 1ø / 3ø, 50 Hz motors Only)
18	100113	1	4L400 V-Belt (to idler assembly) 60 Hz Models Only
	100115	1	4L410 V-Belt (to idler assembly) 50 Hz Models Only
19	122701	8	Socket Terminal Only
20	137030	1	8-Pin Housing Only
	122801	1	Pin / Socket Extraction Tool
21	837005	1	115V / 1ø Motor Harness with Plug
	837006	1	230V / 1ø Motor Harness with Plug
22	100035	1	1/2 hp 240v – 50 Hz – 1ø Totally Enclosed, Fan-Cooled Motor (for models mfd. prior to August 28, 1992)
	100007	1	1/2 hp 208 / 230 / 380 / 460v – 50 / 60 Hz – 3ø Totally Enclosed, Fan-Cooled Motor
23	120200	1	3/8" x 90° Connector
24	100701	1	3/16" x 3/16" x 1" Key (used on 3ø models Only)

\* As required.

\*\* Specify voltage when ordering.

# Upper Direct Spark Ignition Gas Valve / Burner Assembly

Note: Duplicate All Components for Lower Direct Spark Ignition Gas Valve / Burner Assembly



MAN1074

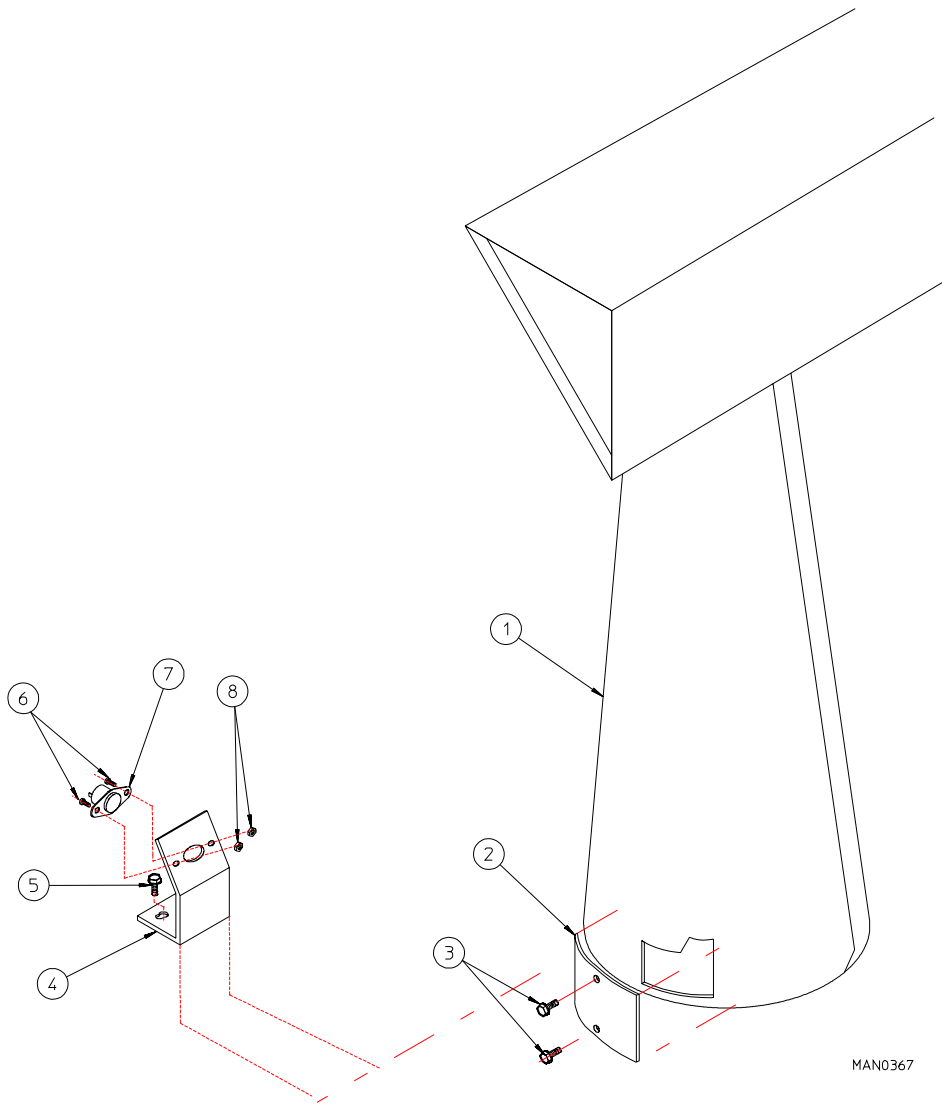
## *Upper Direct Spark Ignition Gas Valve / Burner Assembly*

Note: Duplicate All Components for Lower Direct Spark Ignition Gas Valve / Burner Assembly

<u>Illus. No.</u>	<u>Part No.</u>	<u>Qty.</u>	<u>Description</u>
1	850804	1	Direct Spark Ignition Gas Valve / Burner Tube Mounting Plate Only
	809313	1	Direct Spark Ignition (natural gas) Gas Valve / Burner Assembly Complete Less Orifice (includes illus. nos. 1, 3, 5 through 10, and 12 through 22)
	809314	1	Direct Spark Ignition (liquid propane) Gas Valve / Burner Assembly Complete Less Orifice (includes illus. nos. 1, 3, 5 through 10, and 12 through 22)
2	150300	2	#10 x 1/2" Hex Washer TEK Screw
3	141303	1	1/2" Union Tailpiece Only
4	141325	1	Tailpiece Collar Only
5	318650	1	Notched Pipe Bracket
6	150301	2	#8-18 x 7/16" Phillips Pan Head TEK Screw
7	128927	1	1/2" 24VAC Redundant (natural gas) Gas Valve
	140411	1	1/2" 24VAC Gas Valve Liquid Propane Conversion Kit
8	318650	1	Notched Pipe Bracket
9	150301	2	#8-18 x 7/16" Phillips Pan Head TEK Screw
10	141235	1	1/2" Single Port Manifold
11	140828	2	#20 Burner Orifice (natural gas)
	140811	2	#41 Burner Orifice (liquid propane gas)
12	153000	1	#8 Steel Burr
13	152001	1	#8-32 Hex Nut
14	141130	1	Direct Spark Ignition Up-Shot Burner Tube
15	318009	1	Burner Tube Bracket (PSE)
16	141109	1	Flame Spreader Only
17	150315	2	#6 x 3/8" Phillips Pan Head Machine Screw
18	829998	1	Spark Electrode with High Voltage Wire (for models with 1/4" spade connection at module)
	128917	1	Spark Electrode with High Voltage Wire (for models with spike style connection at module)
	305412	1	Direct Spark Ignition Ignitor Gap Feeler Gauge ... Not Illustrated
19	128918	1	Flame-Sensor Probe
20	121006	1	#10 Insulated Terminal
21	132607	2	#18 Gauge (red silicone) Wire (sold by the foot)
22	121028	1	1/4" x .032 Insulated Terminal
23	884284	1	Direct Spark Ignition Module
24	151000	4	#6-32 Pal Nut
25	801013	1	Direct Spark Ignition Module Mounting Bracket
26	152014	1	1/4-20 Free Spin Wash Nut
27	————	—	Idler Bearing Mount <b>(refer to Upper Idler Bearing Assembly on page 17)</b>
	874057	1	Liquid Propane Conversion Kit

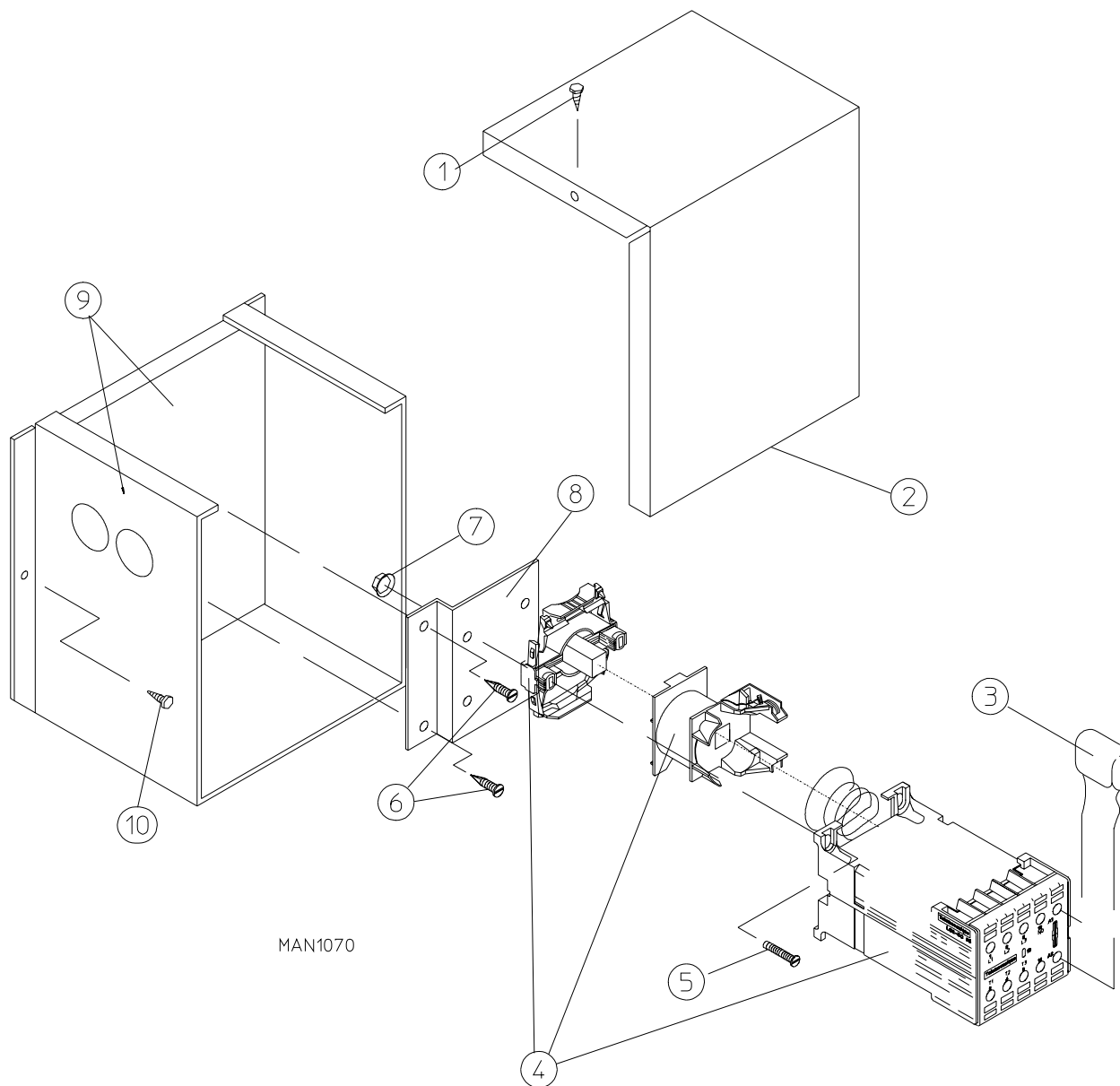
# Upper Gas Burner Chamber Assembly

Note: Duplicate All Components for Lower Gas Burner Chamber Assembly



Illus. No.	Part No.	Qty.	Description
1	804025	1	Gas Burner Chamber for Non-Heat Reclaimer Models Only (includes illus. nos. 1 through 3)
2	318006	1	Flame Viewing Plate
3	150300	2	#10 x 1/2" Hex Washer TEK Screw
4	802502	1	Hi-Limit Bracket Assembly (includes illus. nos. 4 through 8)
	319710	1	Hi-Limit Bracket Only
5	150301	2	#8-18 x 7/16" Phillips Pan Head TEK Screw
6	150001	2	#6-32 x 1/2" Phillips Head Machine Screw
7	130103	1	225° Large Automatic Reset Thermostat
8	151000	2	#6-32 Pal Nut

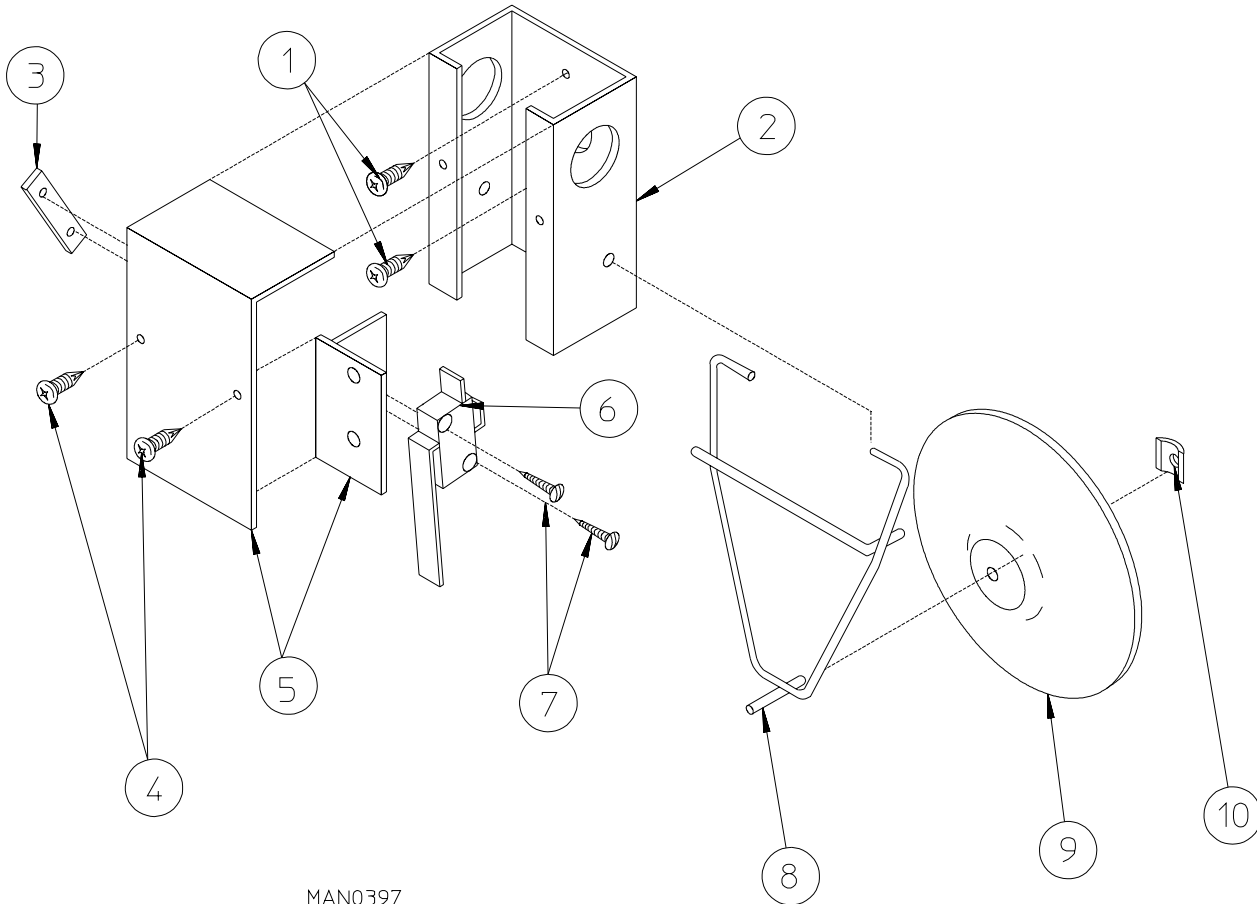
## 3-Phase (3Ø) Motor, Electrical Relay Panel Assembly



<u>Illus. No.</u>	<u>Part No.</u>	<u>Qty.</u>	<u>Description</u>
1	150300	2	#10 x 1/2" Hex Washer TEK Screw
2	321002	1	Electrical Relay Panel Cover Only
3	137015	1	Arc Suppressor (capacitor) Only
4	132430	1	Impellor Contactor (208 / 230 / 240V, 50 / 60 Hz) 24VAC Coil
	132432	1	Impellor Contactor Replacement Coil (208 / 230 / 240V, 50 / 60 Hz) 24VAC Coil
5	150100	4	#8-32 x 1/2" Round Head Machine Screw
6	150300	2	#10 x 1/2" Hex Washer TEK Screw
7	151001	4	#8-32 Pal Nut
8	311920	1	3-Phase (3Ø) Contactor Mounting Bracket Only
9	850909	1	Electrical Relay Panel Assembly (includes illus. nos. 1, 2, and 9)
10	150301	2	#8-18 x 7/16" Phillips Pan Head TEK Screw

# Upper Sail Switch Assembly

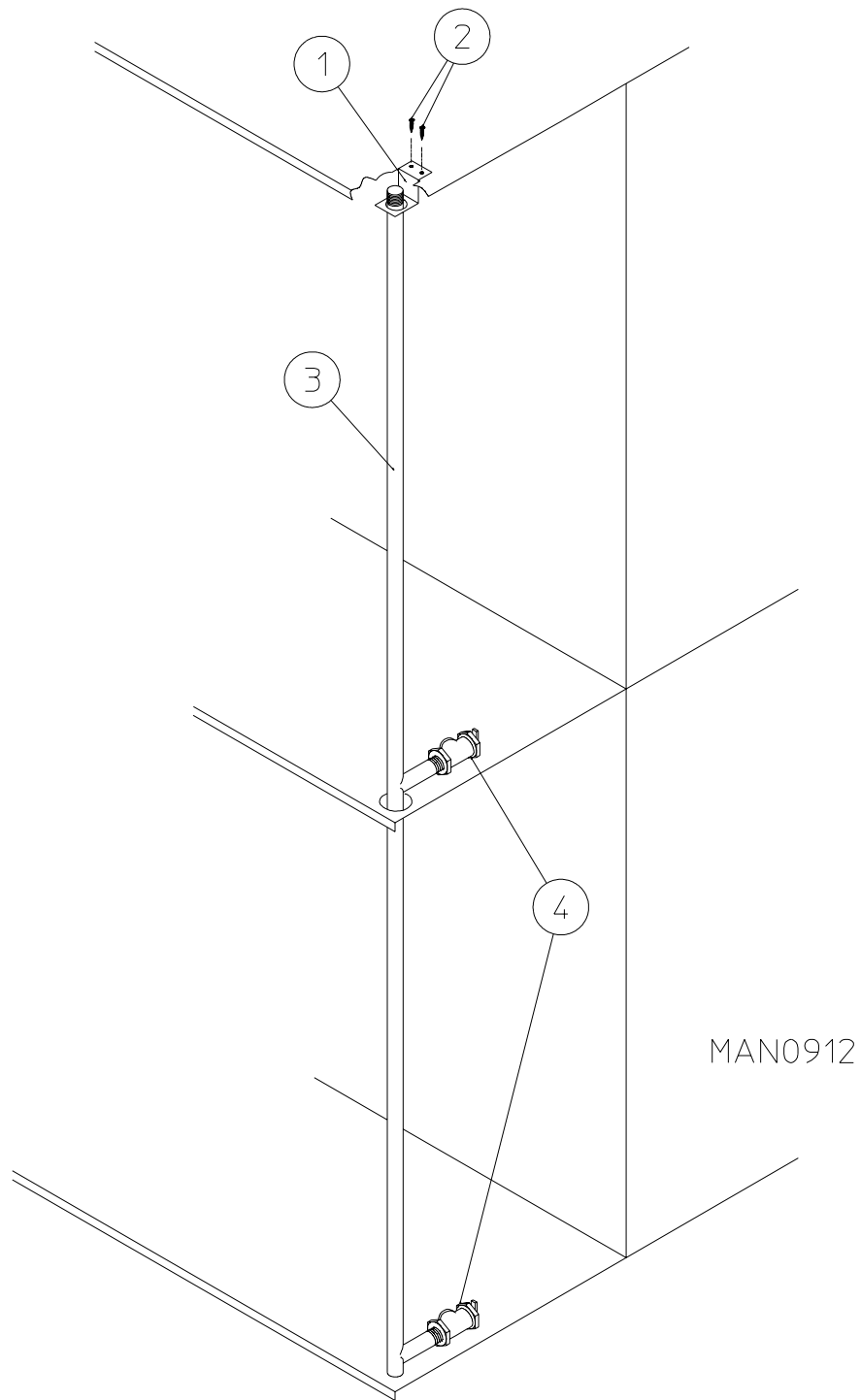
Note: Duplicate All Components for Lower Sail Switch Assembly



MAN0397

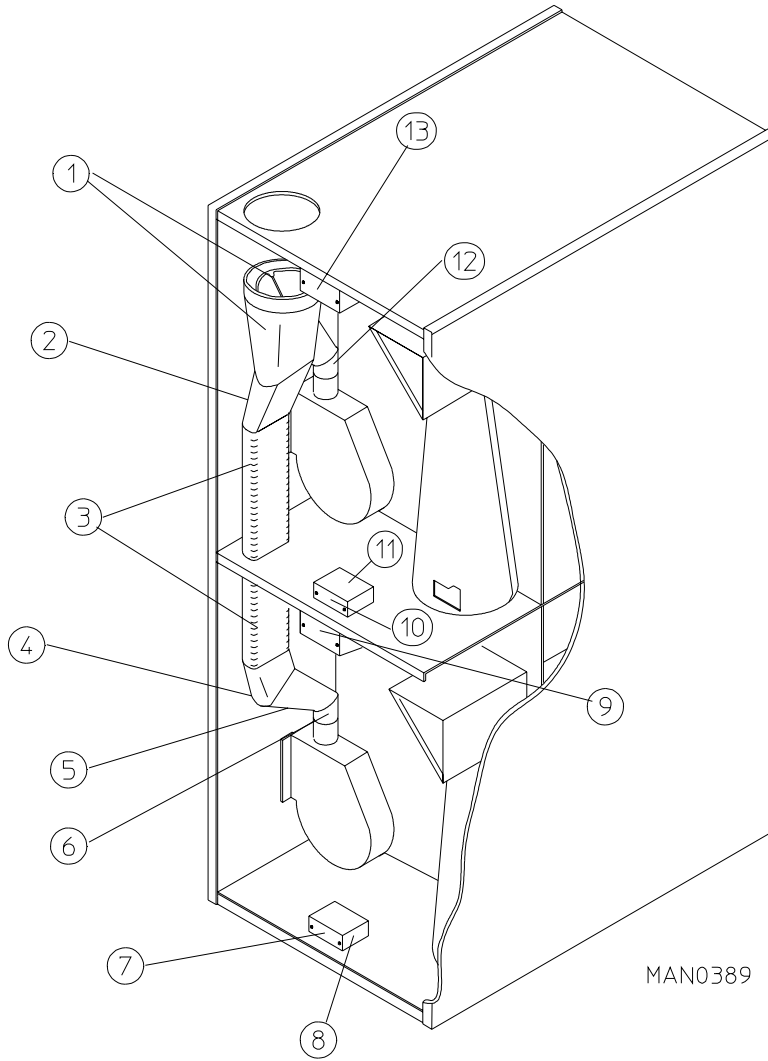
Illus. No.	Part No.	Qty.	Description
1	150301	2	#8-18 x 7/16" Phillips Pan Head TEK Screw
2	802800	1	Sail Switch Box with Cover and Bracket (includes illus. nos. 2, 4, and 5)
3	154004	1	Twin Speed Nut
4	150415	2	#10-16 x 1/2" Phillips Round Head Crimpite Screw
5	802799	1	Sail Switch Box Cover and Bracket
6	122200	1	Sail Switch
7	153303	2	#4 x 3/4" Pan Head "A" Machine Screw
8	105500	1	Sail Switch Actuator Rod
9	319206	1	Sail Switch Damper (embossed)
10	154002	1	1/8" Push-On Fastener





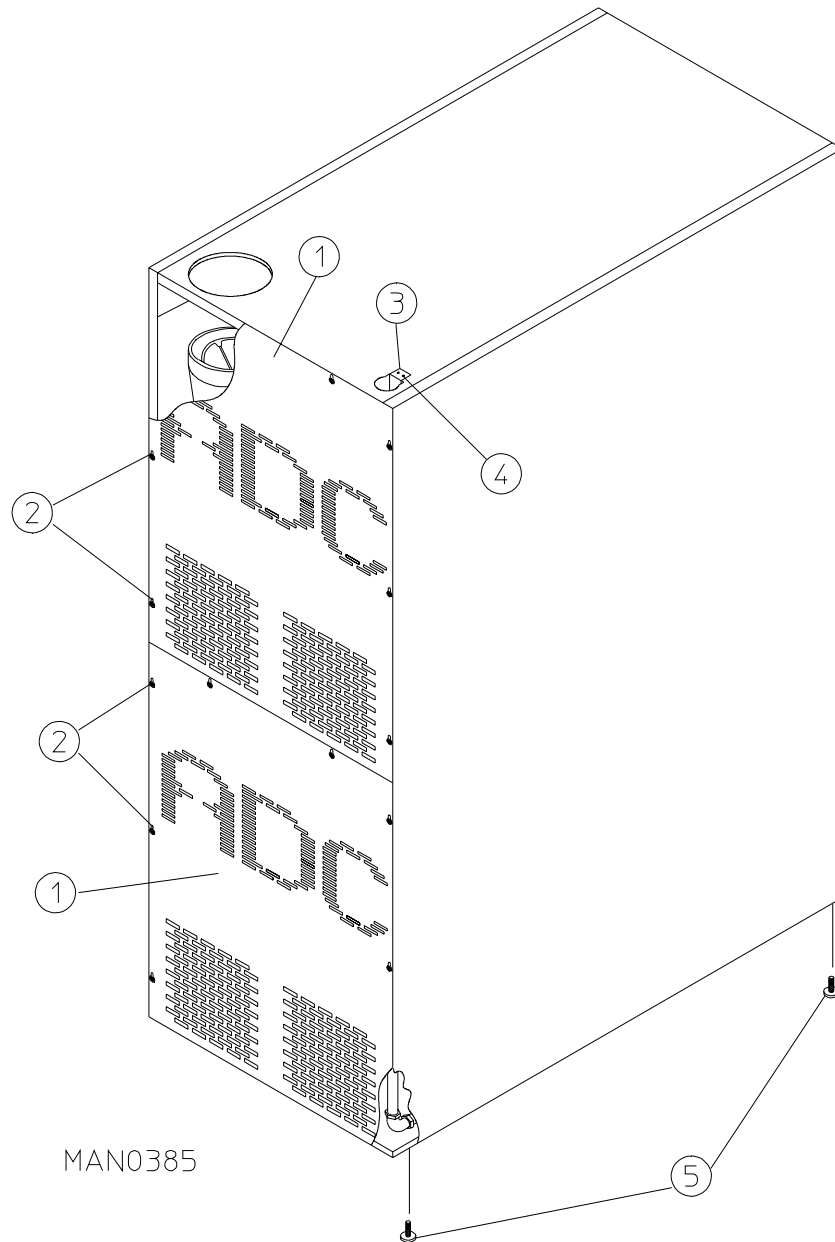
<u>Illus. No.</u>	<u>Part No.</u>	<u>Qty.</u>	<u>Description</u>
1	318702	1	Top Pipe Support Bracket
2	150300	2	#10 x 1/2" Hex Washer TEK Screw
3	141236	1	Inlet Manifold
4	141305	2	Union Shutoff Body

# Exhaust Ducting Assembly



Illus. No.	Part No.	Qty.	Description
1	880505	1	Wye Branch Damper Assembly
2	143527	1	6" Round – 7" Oval Straight Boot
3	143539	1	15-1/2" Long x 7" Oval Duct
4	143537	1	7" Oval x 45° Elbow
5	143538	1	6" Round x 7" Oval Straight Boot
6	143536	1	6" Round x 45° Elbow
7	121105	1	Junction Box Cover Only
	150301	2	#8-18 x 7/16" Phillips Pan Head TEK Screw ... Not Illustrated
8	121104	1	Junction Box Only
9	315025	1	Rear Wiring Box Cover Only
	150300	2	#10 x 1/2" Hex Washer TEK Screw ... Not Illustrated
10	121104	1	Junction Box Only
	150301	2	#8-18 x 7/16" Phillips Pan Head TEK Screw ... Not Illustrated
11	121105	1	Junction Box Cover Only
12	143536	1	6" Round x 45° Elbow
13	315025	1	Rear Wiring Box Cover Only
	150300	2	#10 x 1/2" Hex Washer TEK Screw ... Not Illustrated
—	117505	*	Aluminum Duct Tape (sold by the foot)

\* As required.



<u>Illus. No.</u>	<u>Part No.</u>	<u>Qty.</u>	<u>Description</u>
1	311014	2	Upper / Lower Back Guard Assembly
2	150301	16	#8-18 x 7/16" Phillips Pan Head TEK Screw
3	318702	1	Top Pipe Support Bracket
4	150300	2	#10 x 1/2" Hex Washer TEK Screw
5	103500	4	Adjustable Leveling Leg

## Microprocessor Coin Acceptor Listing

---

Note: Coin acceptors listed include optical switch (ADC Part No. 137056).

### Single Coin\*

<u>ADC Part No.</u>	<u>Nation</u>	<u>Description</u>
125100	United States and Canada	25¢ Optic Coin Acceptor
125127	Canada	\$1 Canadian Optic Coin Acceptor
125101	United Kingdom	10 New Pence Optic Coin Acceptor
125114	United Kingdom	20 New Pence Optic Coin Acceptor
125115	United Kingdom	1 English Pound (£1) Optic Coin Acceptor
125102	Belgium	5 Belgian Franc Optic Coin Acceptor
125106	France	1 French Franc Optic Coin Acceptor
125120	France	2 French Franc Optic Coin Acceptor
125124	France	5 French Franc Optic Coin Acceptor
125137	Denmark	New 1 Danish Krone Optic Coin Acceptor
125140	Denmark	New 2 Danish Krone Optic Coin Acceptor
125125	Netherlands	25¢ Dutch Guilder Optic Coin Acceptor
125108	Australia	10¢ Australian Optic Coin Acceptor
125107	Australia	20¢ Australian Optic Coin Acceptor
125130	Australia	\$1 Australian Optic Coin Acceptor
125123	New Zealand	50¢ New Zealand Optic Coin Acceptor
125132	Singapore	50¢ Singapore Optic Coin Acceptor
125104	Japan	100 Yen Optic Coin Acceptor
125133	Hong Kong	\$1 Hong Kong Optic Coin Acceptor
125103	—	.882 Token Optic Coin Acceptor
125121	—	.800 Token Optic Coin Acceptor
125129	—	Muller Token Optic Coin Acceptor

### Dual Coin\*

<u>ADC Part No.</u>	<u>Nation</u>	<u>Description</u>
125116	United States and Canada	10¢ / 25¢ Dual Optic Coin Acceptor
125128	Canada	25¢ / \$1 Dual Optic Coin Acceptor
125112	United Kingdom	10 / 20 Pence Dual Optic Coin Acceptor
125110	United Kingdom	10 / 50 Pence Dual Optic Coin Acceptor
125111	United Kingdom	20 / 50 Pence Dual Optic Coin Acceptor
125113	United Kingdom	£1 / 20 Pence Dual Optic Coin Acceptor
125119	Belgium	5 / 20 Belgian Franc Dual Optic Coin Acceptor
125122	France	2 / 5 French Franc Dual Optic Coin Acceptor
125134	Denmark	New 1 / 5 Danish Krone Dual Optic Coin Acceptor
125138	Denmark	New 5 / 10 Danish Krone Dual Optic Coin Acceptor
125139	Denmark	New 2 / 5 Danish Krone Dual Optic Coin Acceptor
125126	Netherlands	25 / 1 Dutch Guilder Dual Optic Coin Acceptor
125118	Singapore	20¢ / 50¢ Singapore Dual Optic Coin Acceptor
125105	Japan	50 / 100 Yen Dual Optic Coin Acceptor

\* Consult factory for coin acceptors not listed.

<u>Part No.</u>	<u>Description</u>
112027	“Water Washed Fabrics” Label
112040	“Lint Compartment” Label
112041	“Caution – Exhausted” Label
112534	“Phase 5 OPL Program Location Summary” Label
120100	3/8” Straight (BX) Connector
120300	3/8” x 45° (BX) Connector
120400	3/8” Red Jacket (BX) Insulator
120500	3/8” Jiffy Clip (BX Retainer Clip)
120600	3/8” Greenfield (BX)
120800	1/4” In-Line Connector
120802	Red Butt Connector
120902	#74B Wire Nut
120903	Crimp-On Wire Nut
121014	1/4” Insulated (female) Terminal
121499	4” Harness Tie
121500	7” Harness Tie
121503	Harness Tie Mounting Clip
122804	Manometer (water column test gauge)
170194	Tumbler Lint Cleaning Brush
404500	Almond Brush-In-Cap Touch-Up Paint
404502	White Brush-In-Cap Touch-Up Paint
404506	Almond “B” Brush-In-Cap Touch-Up Paint
404507	Cornflower Blue Brush-In-Cap Touch-Up Paint

