



AD-78

Parts Manual

American Dryer Corporation
88 Currant Road
Fall River, MA 02720-4781
Telephone: (508) 678-9000 / Fax: (508) 678-9447
E-mail: techsupport@amdry.com

Retain This Manual In A Safe Place For Future Reference

American Dryer Corporation products embody advanced concepts in engineering, design, and safety. If this product is properly maintained, it will provide many years of safe, efficient, and trouble-free operation.

ONLY properly licensed technicians should service this equipment.

OBSERVE ALL SAFETY PRECAUTIONS displayed on the equipment or specified in the installation/operator's manual included with the dryer.

WARNING: UNDER NO CIRCUMSTANCES should the door switch or the heat circuit devices ever be disabled.

WARNING: The dryer *must never* be operated with any of the back guards, outer tops, or service panels removed. PERSONAL INJURY or FIRE COULD RESULT.

We have tried to make this manual as complete as possible and hope you will find it useful. ADC reserves the right to make changes from time to time, without notice or obligation, in prices, specifications, colors, and material, and to change or discontinue models.

Important

For your convenience, log the following information:

DATE OF PURCHASE _____ MODEL NO. **AD-78** _____

DISTRIBUTORS NAME _____

Serial Number(s) _____

Replacement parts can be obtained from your distributor or the ADC factory. When ordering replacement parts from the factory, you can FAX your order to ADC at (508) 678-9447 or telephone your orders directly to the ADC Parts Department at (508) 678-9000. Please specify the dryer **model number** and **serial number** in addition to the **description** and **part number**, so that your order is processed accurately and promptly.

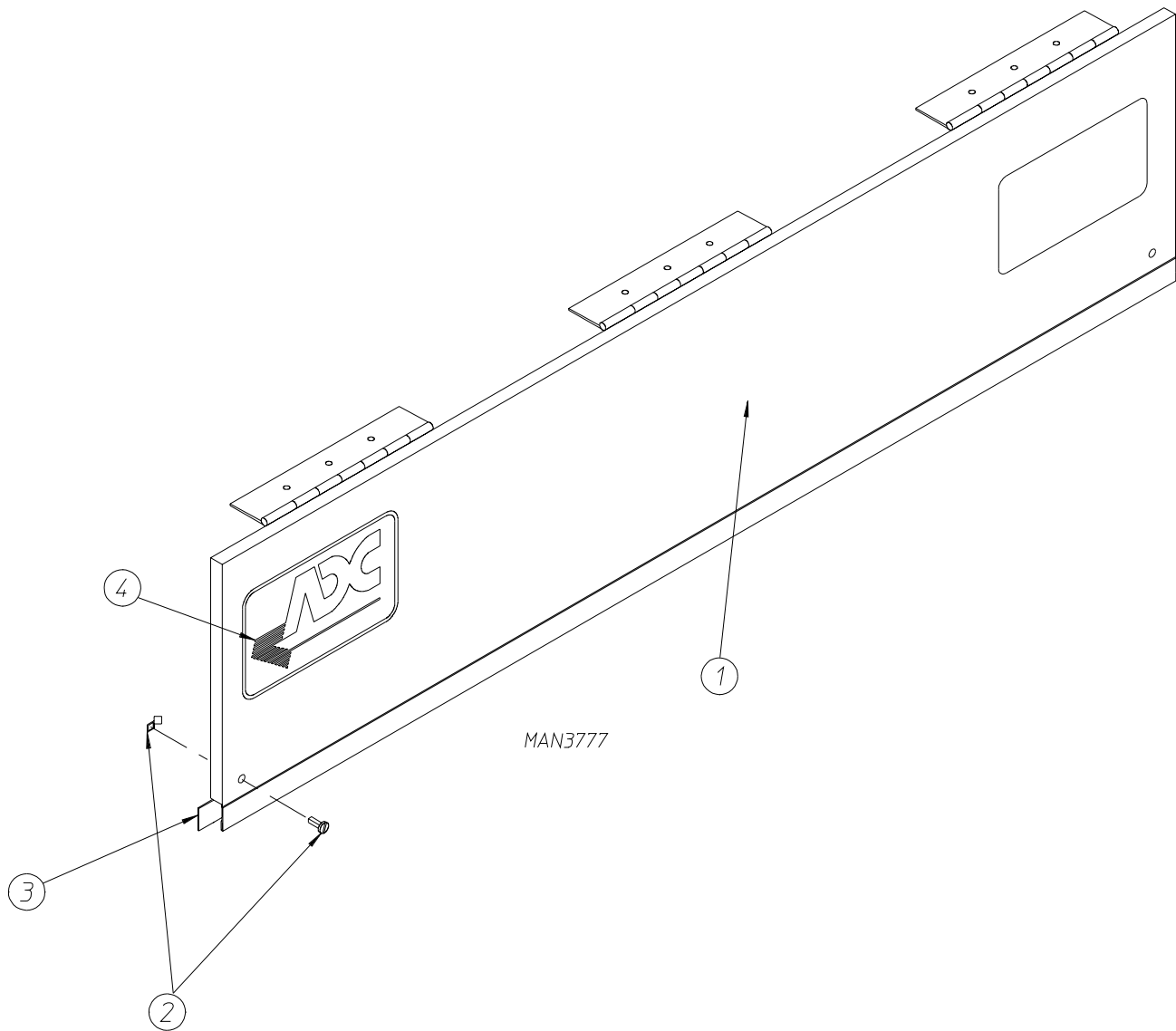
The illustrations on the following pages may not depict your particular dryer exactly. The illustrations are a composite of the various dryer models. Be sure to check the descriptions of the parts thoroughly before ordering.

“IMPORTANT NOTE TO PURCHASER”

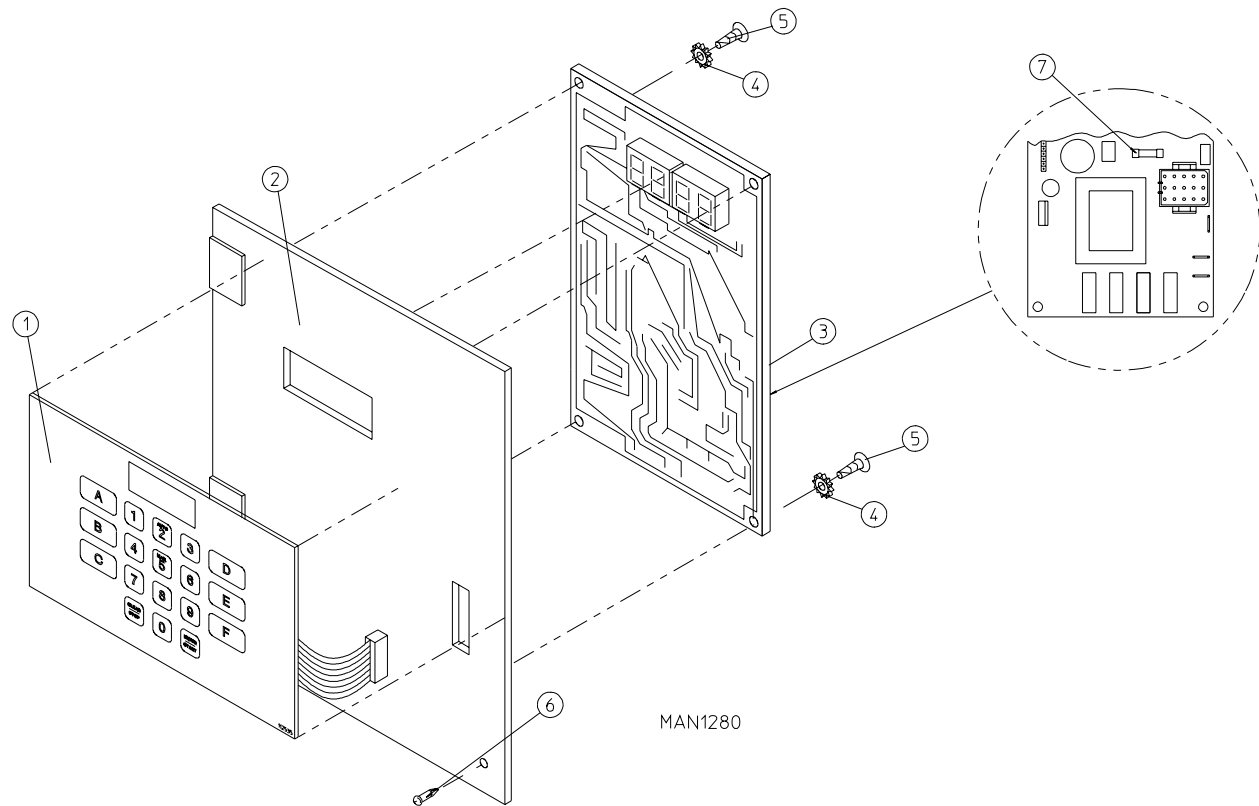
Information must be obtained from your local gas supplier on the instructions to be followed if the user smells gas. These instructions must be posted in a prominent location near the dryer.

Table of Contents

Control Door Assembly	4
Phase 5 OPL Microprocessor Control Panel Assembly	5
Front Panel for Round Main Door Assembly	6, 7
Front Panel for Square Main Door Assembly	8, 9
Main Door Switch Assembly for Round Main Door	10
Main Door Switch Assembly for Square Main Door	11
Sensor Bracket Assembly	12
Lint Trap Assembly	13
Drop Lint Door Assembly	14
Basket (Tumbler) Support Assembly	15
Tumbler Bearing Assembly	16, 17
Single Phase Motor, Electric Relay Panel Assembly	18
3-Phase Motor, Non-Reversing Electric Relay Panel Assembly	19
3-Phase Motor, Reversing Electric Relay Panel Assembly	20, 21
Sail Switch Assembly	22
Idler Bearing Assembly	23
Non-Reversing Totally Enclosed, Fan-Cooled (T.E.F.C.) Motor Mount Assembly	24, 25
Reversing Totally Enclosed, Fan-Cooled (T.E.F.C.) Motor Mount Assembly	26, 27
Hot Surface Ignition (HSI) Burner Assembly	28, 29
Back Guard Assemblies	30
Additional Parts Available	31

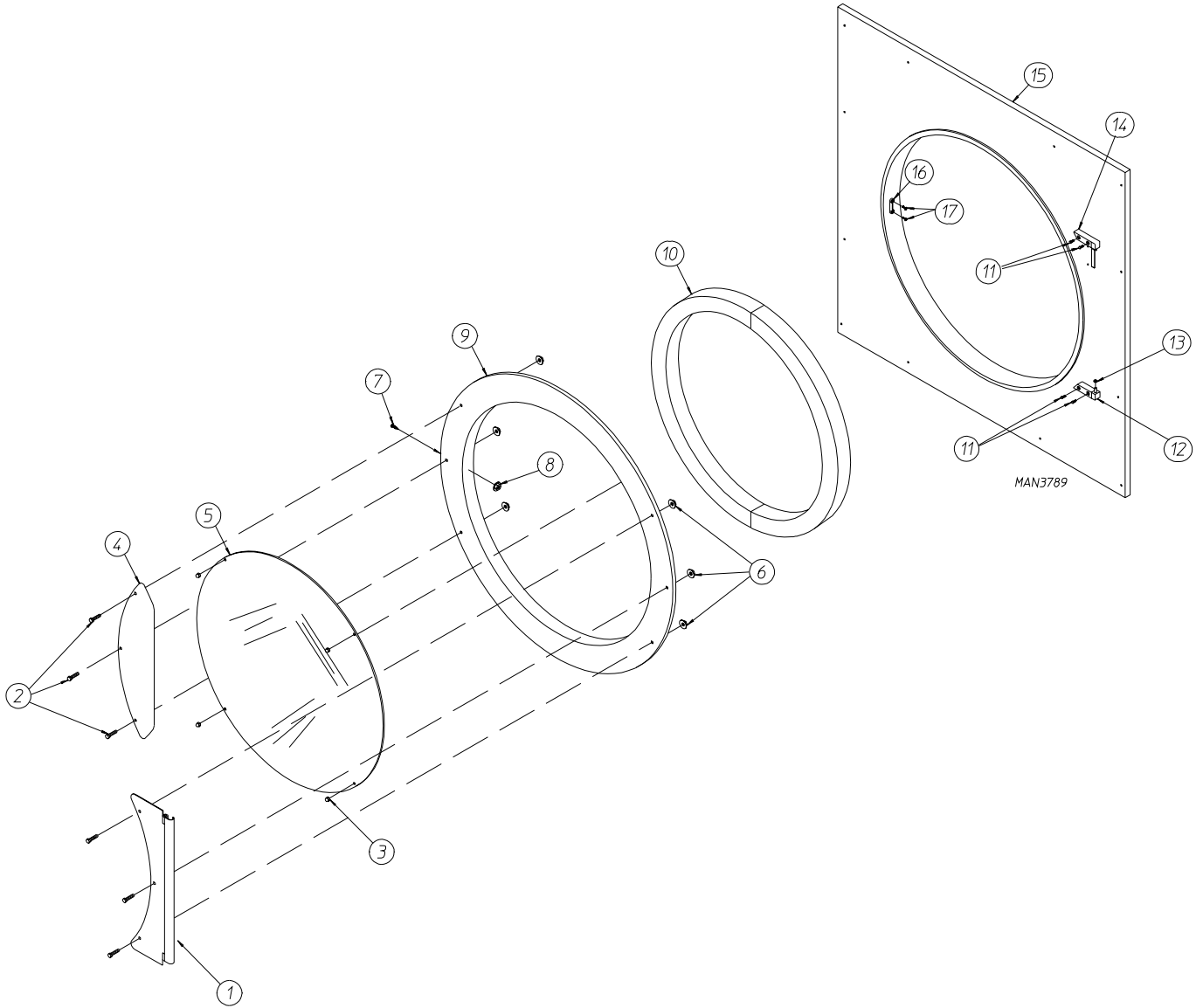


<u>Illus. No.</u>	<u>Part No.</u>	<u>Qty</u>	<u>Description</u>
1	881910	1	AD-78 Control Door Assy White (includes illus. nos. 1 through 3)
	881911		AD-78 Control Door Assy Blue (includes illus. nos. 1 through 3)
2	160005	2	Spring Turn Latch (2 piece)
3	117603	4	Noise Suppression Tape (sold by the foot)
4	112350	1	ADC Logo ONLY
	870011	1	Logo Double Tape Kit

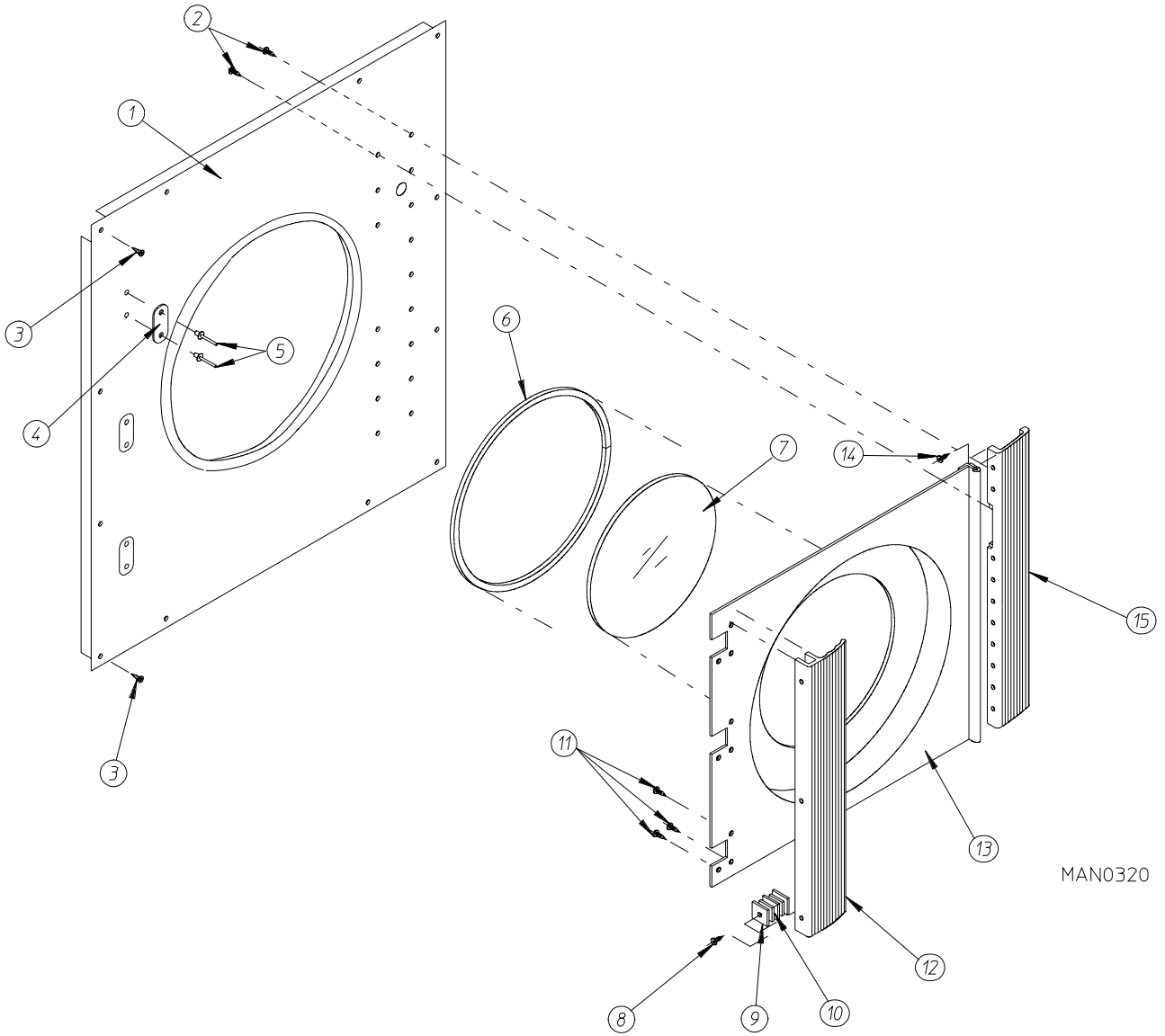


<u>Illus. No.</u>	<u>Part No.</u>	<u>Qty</u>	<u>Description</u>	
1	112535	1	OPL English Keyboard Label Assembly	
	112276	1	OPL Stick-on Labels (English Only) ... Not Illustrated	
	112275	1	OPL Stick-on Labels (Spanish, Italian, and Hebrew) ...Not Illustrated	
	112277	1	3-Language OPL Stick-on Labels (English, Spanish, and Hebrew) ... Not Illustrated	
	112278	1	5-Language OPL Stick-on Labels (Italian, Dutch, French, German, and Chinese) ... Not Illustrated	
	2	801255	1	Phase 5 Microprocessor Control Panel ONLY
		801256	1	Phase 5 Microprocessor Control Panel Only with Battery Bracket
801206		1	Phase 5 OPL Non-Reversing Microprocessor Control Panel Assembly Complete (includes illus. nos. 1 through 6)	
801207		1	Phase 5 OPL Reversing Microprocessor Control Panel Assembly Complete (includes illus. nos. 1 through 6)	
3	137222	1	Phase 5 OPL Non-Reversing Microprocessor Controller ONLY	
	137231	1	Phase 5 OPL Reversing Controller ONLY	
	824998	1	Phase 5 Battery Clip	
4	153010	2	#6 Star Washer	
5	150005	2	#6-32 x 3/4" Phillips Round Head Machine Screw	
6	150413	1	#10-16 x 1/2" Phillips Hex Head TEK Crimptite Screw (for models mfd. as of March 1, 1994)	
7	136048	1	1/8-Amp (Slo Blo) Fuse	

IMPORTANT: Check label on computer chip to verify correct part number for controller.

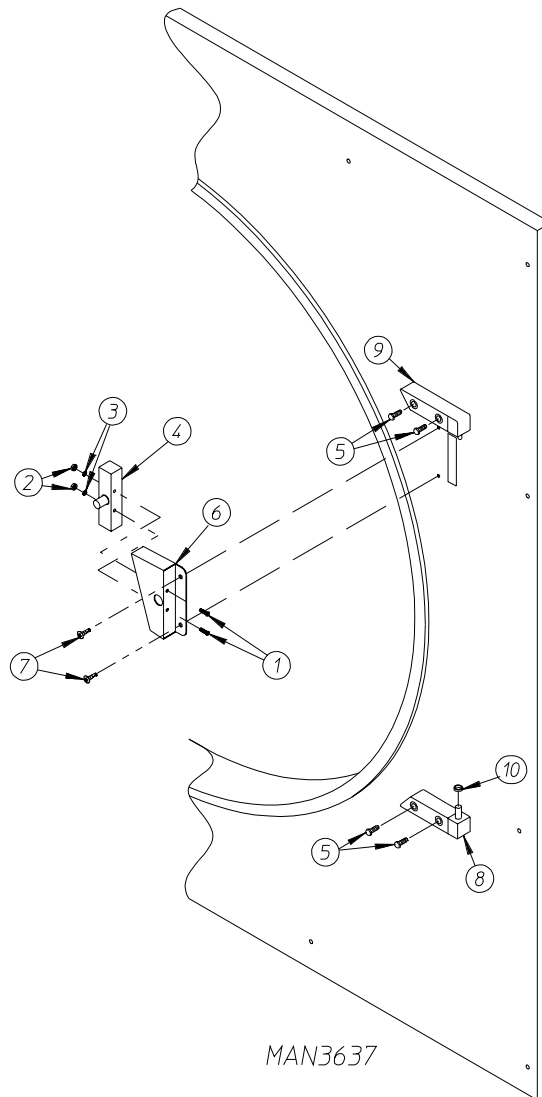


<u>Illus. No.</u>	<u>Part No.</u>	<u>Qty</u>	<u>Description</u>
1	881685	1	White Main Door Hinge
	881757	1	Blue Main Door Hinge
2	881740	6	1/4-20 x 5/8" (white) Carriage Bolt
	881739	6	1/4-20 x 5/8" (blue) Carriage Bolt
3	151012	4	#10-32 White Nylon Acorn Nut
	151014	4	#10-32 Blue Nylon Acorn Nut
4	881688	1	White CRS Main Door Handle
	881737	1	Blue CRS Main Door Handle
5	102213	1	29-7/8" Door Glass
	170730	1	Door Glass Adhesive (10.3 oz cartridge)
6	881806	6	1/4-20 Free Spin Wash Nut (white)
	881807	6	1/4-20 Free Spin Wash Nut (blue)
7	150120	1	Main Door Latch Screw
8	151010	1	#10-32 Hex Acorn Nut (black)
9	881689	1	White Main Door Assembly Complete (includes illus. nos. 1 through 10)
	881738	1	Blue Main Door Assembly Complete (includes illus. nos. 1 through 10)
	881684	1	White Main Door Ring
	881756	1	Blue Main Door Ring
10	102356	1	97-1/2" Main Door Gasket
11	150443	2	1/4-20 x 3/4" Stainless Steel Cap Screw
12	881441	1	White Bottom Hinge Block (includes illus. nos. 11 and 12)
	881735	1	Blue Bottom Hinge Block (includes illus. nos. 11 and 12)
13	153031	1	Nylon Washer
14	881440	1	White Top Hinge Block (includes illus. nos. 11 and 14)
	881736	1	Blue Top Hinge Block (includes illus. nos. 11 and 14)
15	882057	1	White Front Panel Assembly (includes illus. nos. 15-17)
	882058	1	Blue Front Panel Assembly (includes illus. nos. 15-17)
16	170330	1	Friction Door Catch
17	154215	2	5/32" Pop Rivet

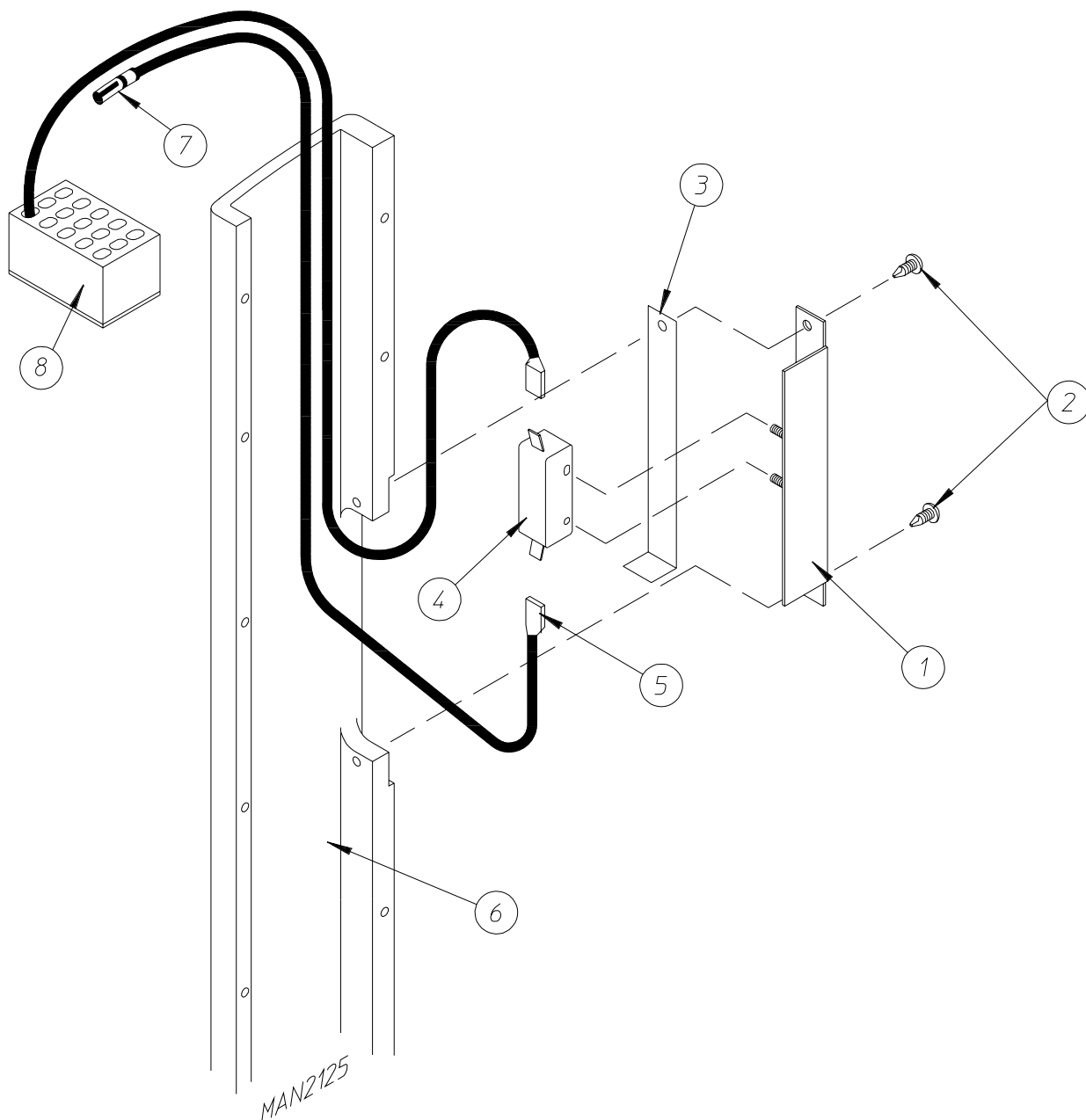


<u>Illus. No.</u>	<u>Part No.</u>	<u>Qty</u>	<u>Description</u>
1	881916	1	AD-78 (white) Right Hand Front Panel Assembly (includes illus. nos. 1, 4, and 5)
	881917	1	AD-78 (blue) Right Hand Front Panel Assembly (includes illus. nos. 1, 4, and 5)
2	150413	15	#10-16 x 1/2" Phillips Round Head Crimptite Screw
3	150412	12	#10-16 x 3/4" Phillips Round Head Crimptite Screw
4	170340	3	3-1/2" Stainless Steel Striker Pad
5	154200	6	5/32" Pop Rivet
6	102308	1	AD-78 Door Gasket ONLY (94" length)
7	102210	1	20-7/16" Door Glass ONLY
	170730	1	Glass Adhesive (sold in 10.3 oz. cartridge)
8	150401	3	#10-24 x 1 1/4" Phillips Taptite Screw
9	306801	9	Magnet Keeper ONLY
10	102102	6	1.0 x .75 x .197" Main Door Magnet ONLY
11	150413	9	#10-16 x 1/2" Phillips Round Head Crimptite Screw
12	180150	1	35" Granite Main Door Handle ONLY
13	881914	1	AD-78 (white) Main Door Assembly Complete with Cross Gray Handle (includes illus. nos. 6 through 13)
	881915	1	AD-78 (blue) Main Door Assembly Complete with Cross Gray Handle (includes illus. nos. 6 through 13)
	881918	1	AD-78 White Main Door Assembly with Glass and Gasket ONLY (includes illus. nos. 6, 7, and 13)
	881919	1	AD-78 Blue Main Door Assembly with Glass and Gasket ONLY (includes illus. nos. 6, 7, and 13)
14	150430	10	#10 x 1/2" Phillips Self Drilling Screw
15	180155	1	35" Cross Gray Main Door Hinge Block ONLY

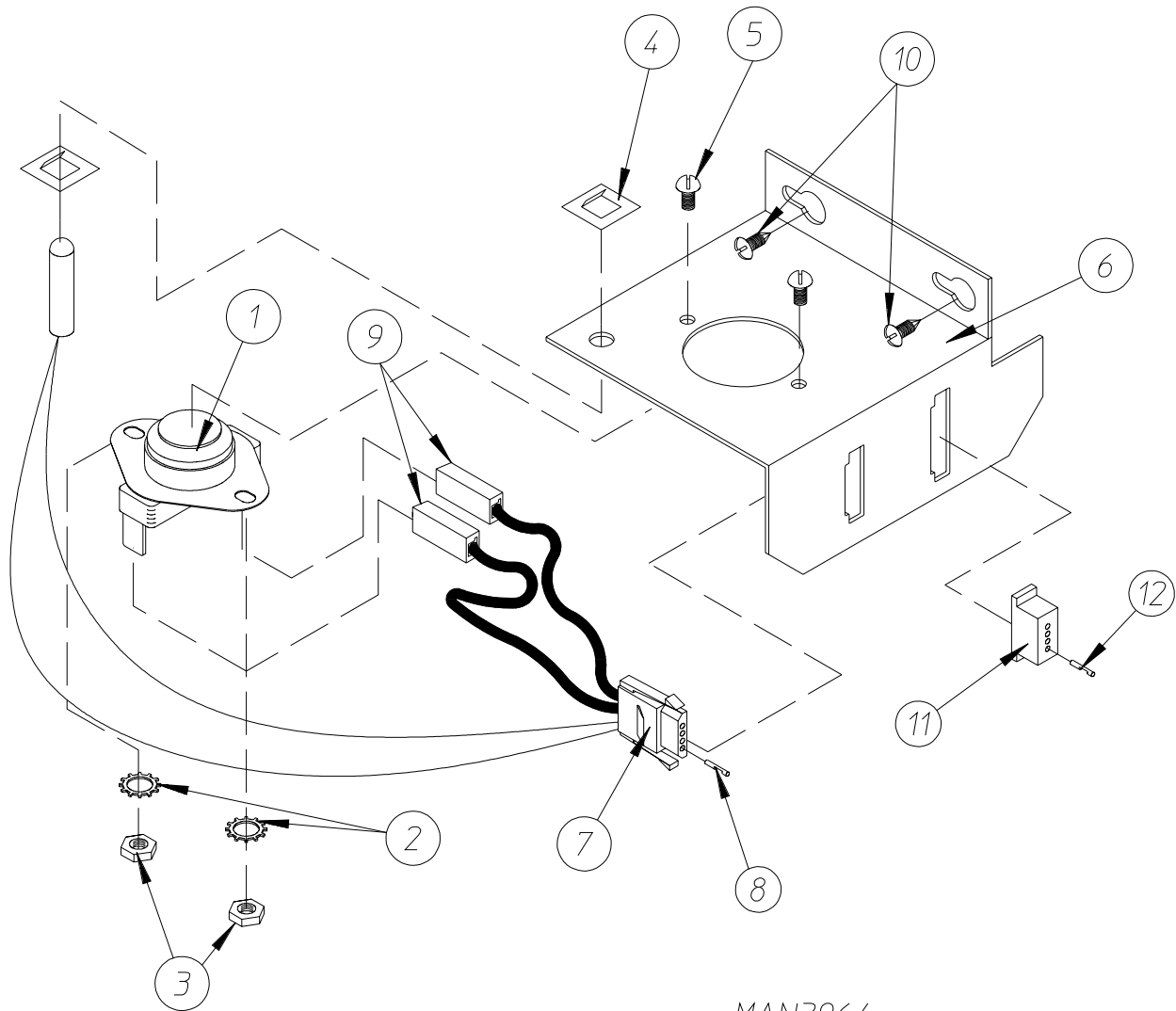
* Specify color when ordering.



<u>Illus. No.</u>	<u>Part No.</u>	<u>Qty</u>	<u>Description</u>
1	150006	2	#6-32 x 7/8" Phillips Pan Head Machine Screw
2	152013	2	#6-32 Hex Nut
3	153010	2	#6 Star Washer
4	137005	1	Single Pole Door Switch
5	150443	4	1/4-20 x 3/4" Stainless Steel Cap Screw
6	881687	1	White Main Door Switch Housing ONLY
	881695	1	Blue Main Door Switch Housing ONLY
	881702	1	White Main Door Switch with Housing Assembly (includes illus. nos. 1 through 4 and 6)
	881700	1	Blue Main Door Switch with Housing Assembly (includes illus. nos. 1 through 4 and 6)
7	150301	2	#8-18 x 7/16" Phillips Pan Head TEK Screw
8	881441	1	White Bottom Hinge Block (includes illus. nos. 5 and 8)
	881735	1	Blue Bottom Hinge Block (includes illus. nos. 5 and 8)
9	881440	1	White Top Hinge Block (includes illus. nos. 5 and 9)
	881736	1	Blue Top Hinge Block (includes illus. nos. 5 and 9)
10	153031	1	Nylon Washer

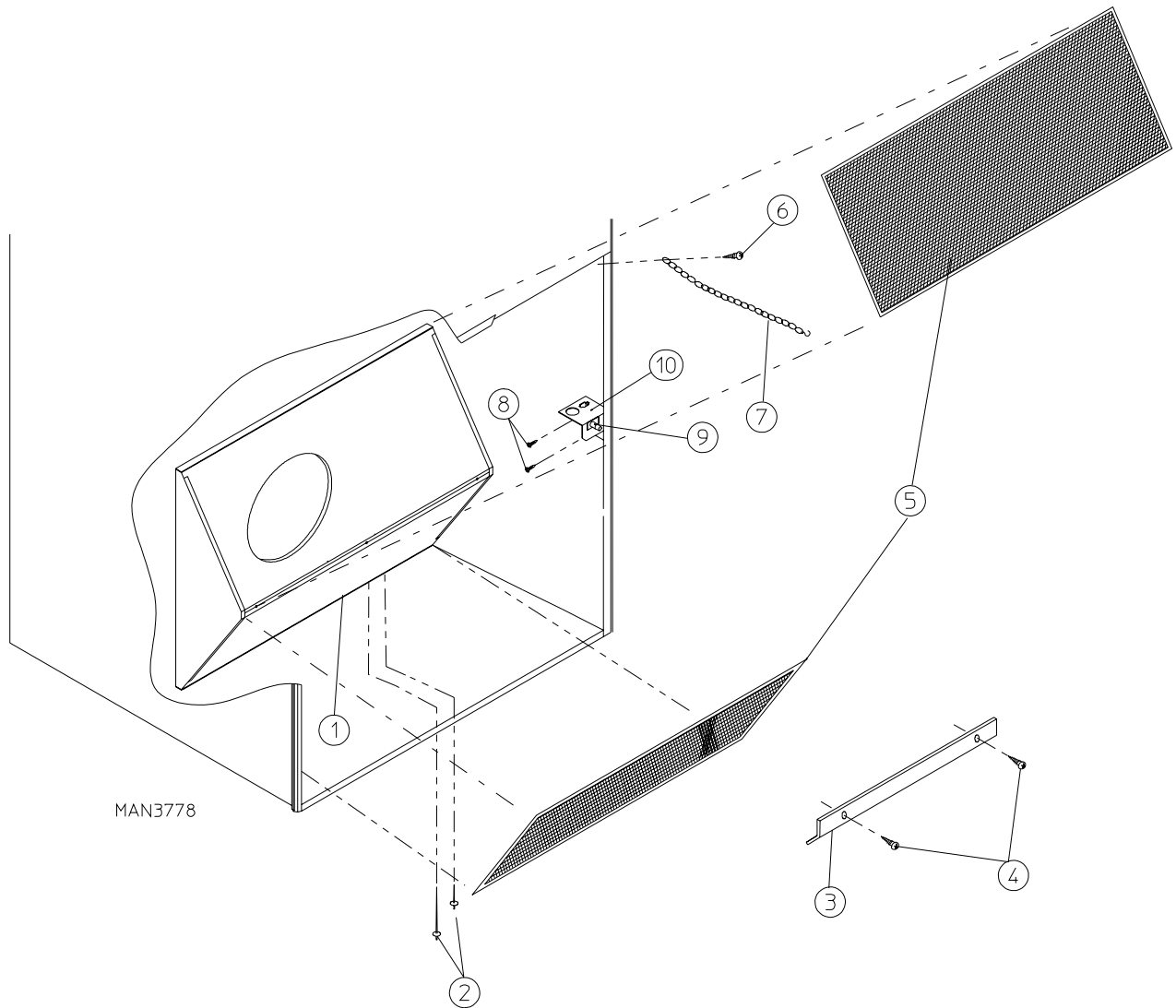


<u>Illus. No.</u>	<u>Part No.</u>	<u>Qty.</u>	<u>Description</u>
1	821098	1	AD-78 Main Door Switch Assembly Complete (includes illus. nos. 1 through 4 and 6)
	821097	1	Main Door Switch Bracket Assembly ONLY
	102405	1	Main Door Switch Actuator ONLY
2	150413	2	#10-16 x 1/2" Hex Head TEK Crimptite Screw
3	102405	1	Main Door Switch Actuator
4	137005	1	Main Door Switch ONLY
5	121028	2	1/4" x .032 Insulated Terminal ONLY
6	180155	1	35" Cross Gray Door Hinge Block ONLY
7	122705	2	Socket Mate to Split Pin
8	122626	1	15-Pin Cap Housing ONLY (M/L)



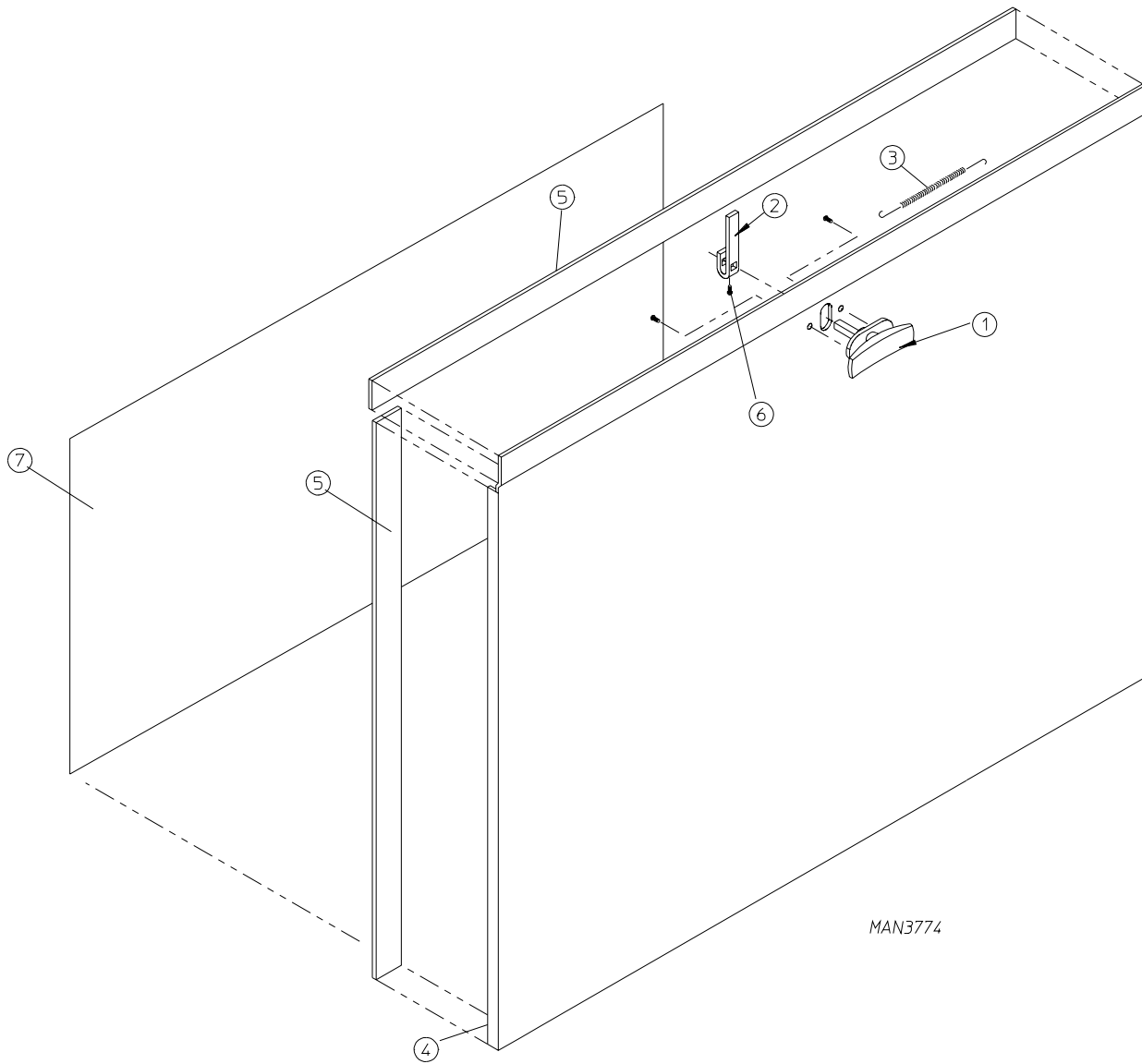
MAN3964

<u>Illus. No.</u>	<u>Part No.</u>	<u>Qty</u>	<u>Description</u>
1	130103	1	225° Large Automatic Thermostat ONLY
2	153010	2	#6 Star Washer
3	152000	2	#6-32 Hex Nut
4	154007	2	1/4" Tinnerman Push On Fastener
5	150005	2	#6-32 x 1/4" Phillips Round Head Machine Screw
6	881912	1	AD-78 Temperature Sensor Bracket Complete (includes illus. nos. 1-7)
7	122605	1	4 Pin Socket Connector
8	122701	4	Socket Terminal ONLY
9	121028	2	Insulated Terminal ONLY
10	150301	2	#8-18 x 7/16" Phillips Pan Head TEK Screw
11	122604	1	4 Pin Connector ONLY
12	122700	4	Pin Terminal ONLY
	122801	1	Pin/Socket Extraction Tool (for removal of illus. no. 8 and 12)

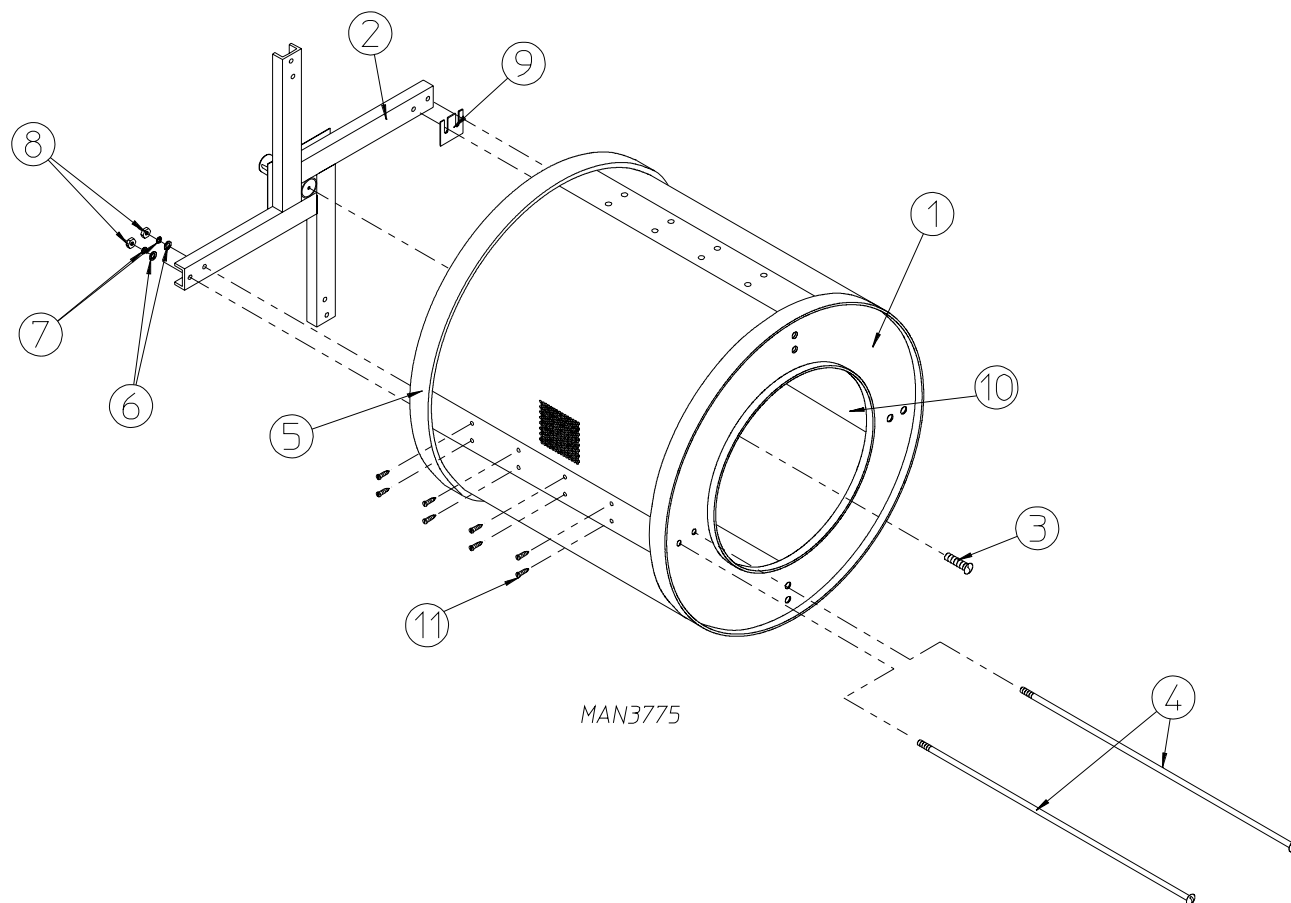


MAN3778

<u>Illus. No.</u>	<u>Part No.</u>	<u>Qty</u>	<u>Description</u>
1	881904	1	Lint Coupe Assembly Complete (includes illus. nos. 1, 3-5)
	801767	1	Lint Coupe ONLY
2	154200	7	5/32" Pop Rivet
3	304100	1	Lint Screen Held Down
4	150300	3	#10 x 1/2" Hex Washer TEK Screw
5	800500	2	Lint Screen
6	150419	2	#6 x 1/2" Tamper Proof TEK Screw
7	108120	1	Chain for Drop Lint Door
	150418	1	Tamper Proof Screw Hand Driver
8	150425	2	#12-24 x 3/8" Phillips Round Head Screw
9	122116	1	Lint Drawer Switch ONLY
10	323724	1	Lint Drawer Switch Bracket

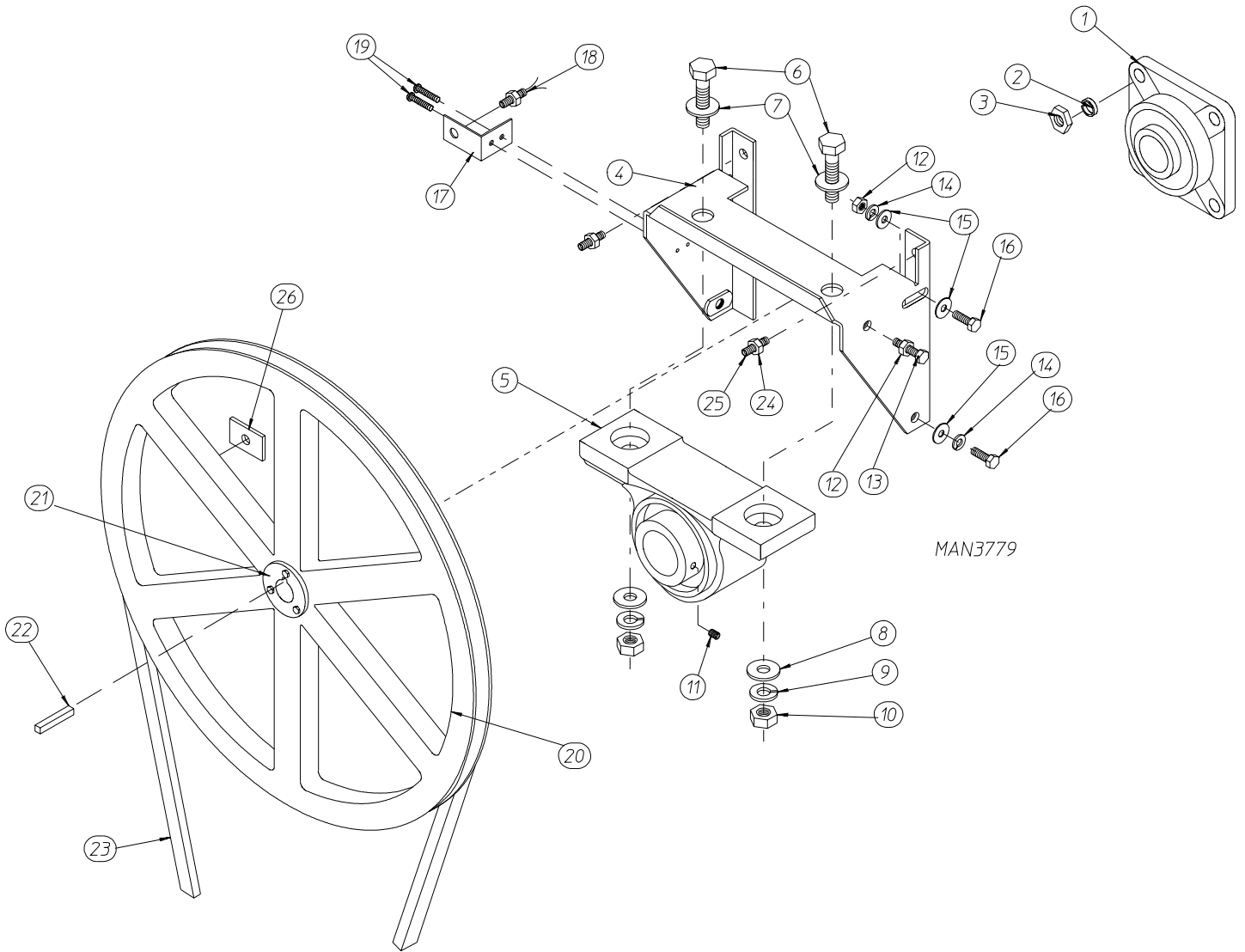


<u>Illus. No.</u>	<u>Part No.</u>	<u>Qty</u>	<u>Description</u>
1	800150	1	Knob Latch Kit Assembly (includes illus. #1 and 2)
	160200	1	Knob Latch ONLY with 2 (two) screws (without cam)
	160003	1	Dummy Lock ONLY
	160104	1	MK100 Key ONLY (for Dummy Lock)
2	160008	1	Lock Cam for Dummy Lock
	160009	1	Knob Latch Adjustable Cam ONLY
3	157000	1	Drop Lint Door Spring
4	881906	1	AD-78 White Insulated Drop Lint Door Assy (includes illus. #1-7)
	881907	1	AD-78 Blue Insulated Drop Lint Door Assy (includes illus. #1-7)
5	117600	7	Noise Suppressor Tape (sold in feet)
6	150425	1	#12-24 x 3/8" Round Head Machine Screw ONLY (screw for knob latch adjustable cam)
7	116322	1	Lint Door Insulation

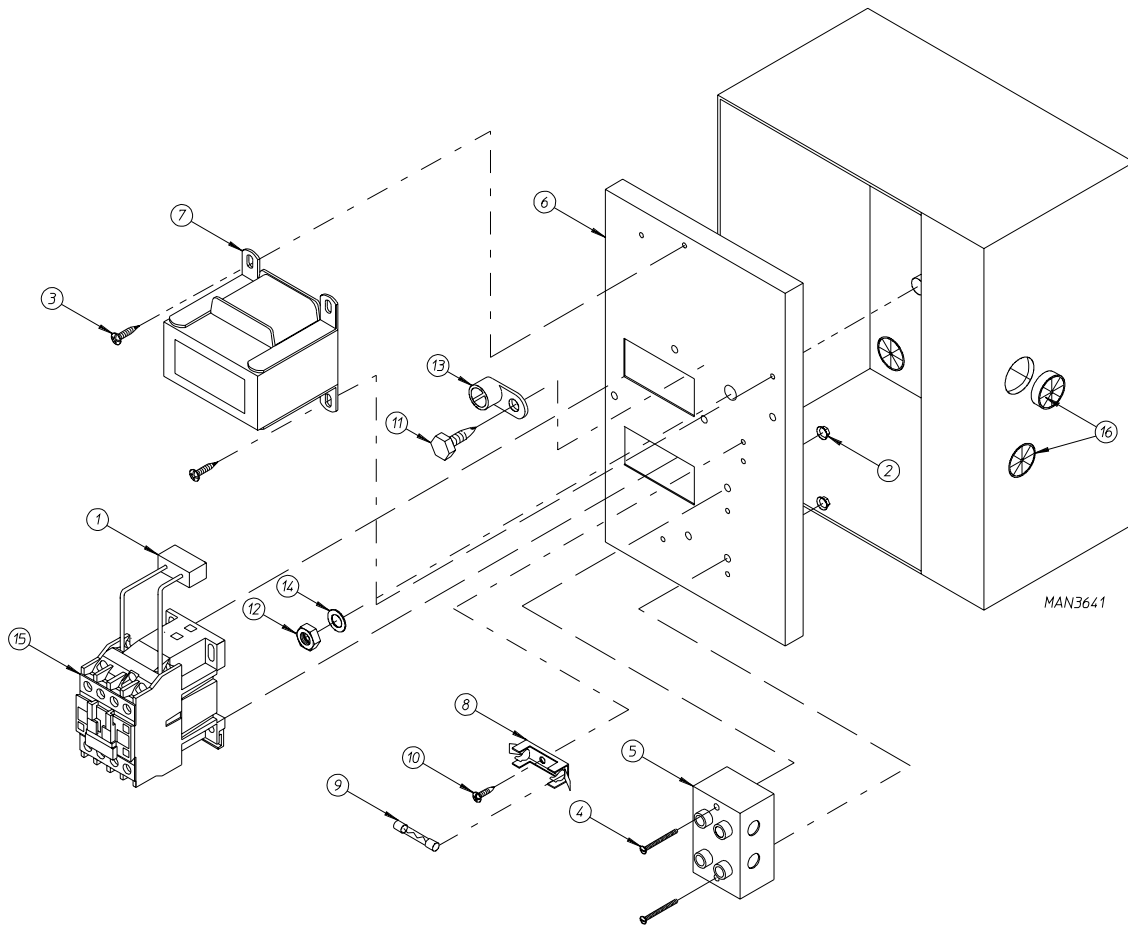


<u>Illus. No.</u>	<u>Part No.</u>	<u>Qty</u>	<u>Description</u>
1	801751	1	Basket (tumbler) ONLY Without Felt Collar
	801773	1	AD-78 Basket (tumbler) and Support Assembly Complete (includes illus. nos. 1 through 11)
2	801774	1	Tumbler Support ONLY
3	150500	1	5/16-18 x 3/4" Socket Buttonhead Screw
4	100912	8	1/2"-13 x 25-3/8" Tie Rod
5	116006	1	Felt Collar
	170730	1	Felt Collar Adhesive (10.3 oz.)
6	153011	8	1/2" Flat Washer
7	153026	8	1/2" Lock Washer
8	152011	8	1/2-13 Hex Nut
9	301701	*	Tumbler Shims
10	314701	4	Tumbler Ribs
11	150413	32	#10-16 x 1/2" Crimpite Screws

* As Required

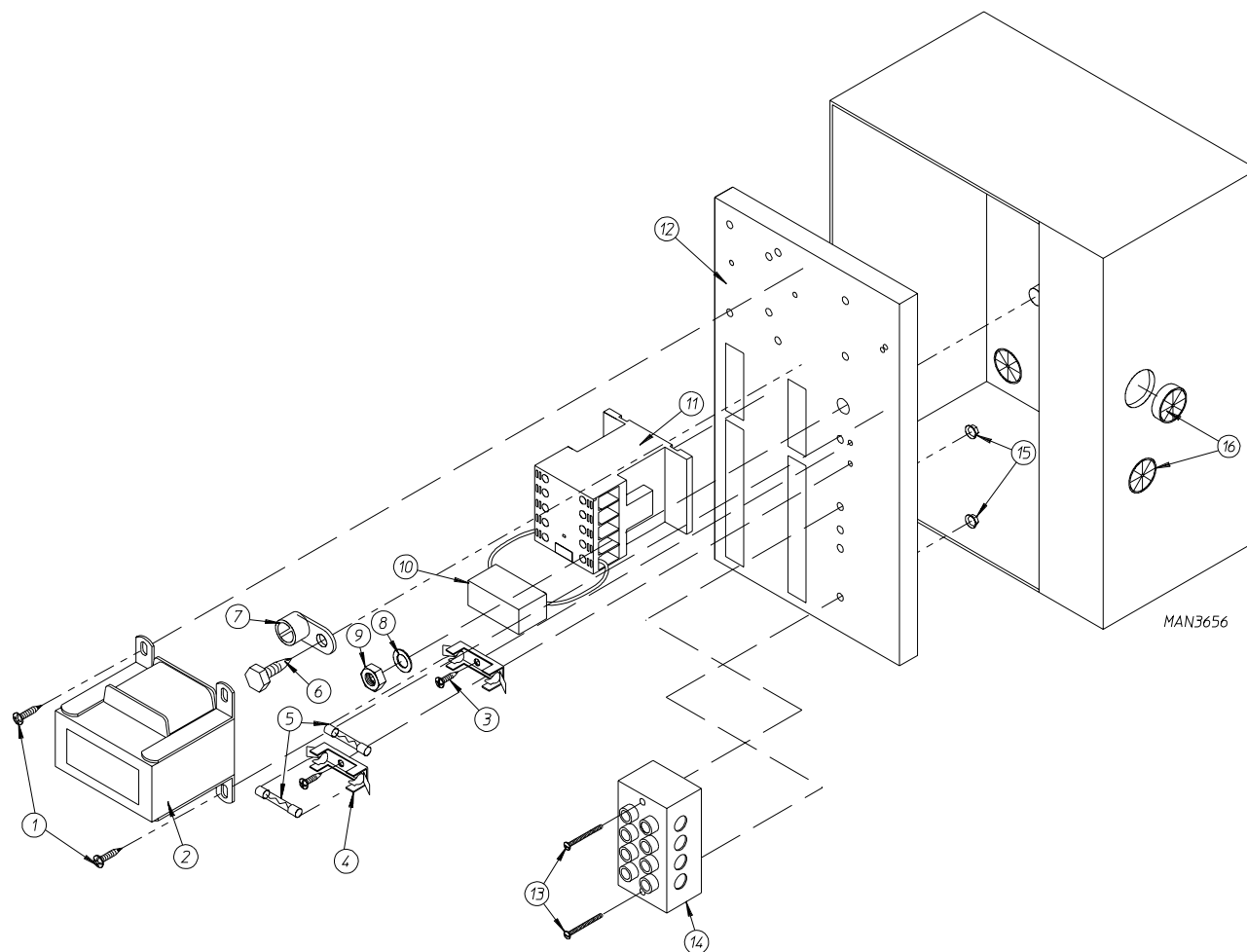


<u>Illus. No.</u>	<u>Part No.</u>	<u>Qty</u>	<u>Description</u>
1	100244	1	1-15/16" Flange Bearing
2	153025	4	Lock Washer
3	152050	4	Hex Nut
4	801775	1	Pillow Block Bearing Assembly Complete (includes illus. nos. 4 through 13)
	801761	1	Pillow Block Bearing Housing ONLY
5	100245	1	1-15/16" Pillow Block Bearing
6	150633	2	1/2"-13 x 2-1/4" Hex Head Bolt
7	153011	2	9/16" Flat Washer
8	153011	2	9/16" Flat Washer
9	153026	2	1/2" Lockwasher
10	152011	2	1/2"-13 Hex Nut
11	154322	2	3/8-24 x 7/16 Set Screw
12	152004	2	5/16-18 Hex Nut
13	150621	2	5/16-18 x 1-1/2" Allen Set Screw
14	153002	4	5/16" Lock Washer
15	153001	6	5/16" Flat Washer
16	150621	4	5/16-18 x 3/4" Hex Bolt
17	314746	1	Rotational Sensor Bracket
18	824807	1	Rotational Sensor Assembly
19	150413	2	#10-16 x 1/2" Phillips Hex Head TEK Crimptite
20	101219	1	18" Pulley
21	101220	1	1-15/16" Taper Lock Bushing
22	100719	1	1/2" x 1/2" x 1-3/8 Key
23	100135	1	AD-78 V-Belt
24	152004	2	5/16-18 Hex Nut
25	150610	2	5/16-18 x 1-1/2" Allen Set Screw
26	102102	1	Rotational Sensor Magnet
	401010	1	Adhesive for Magnet

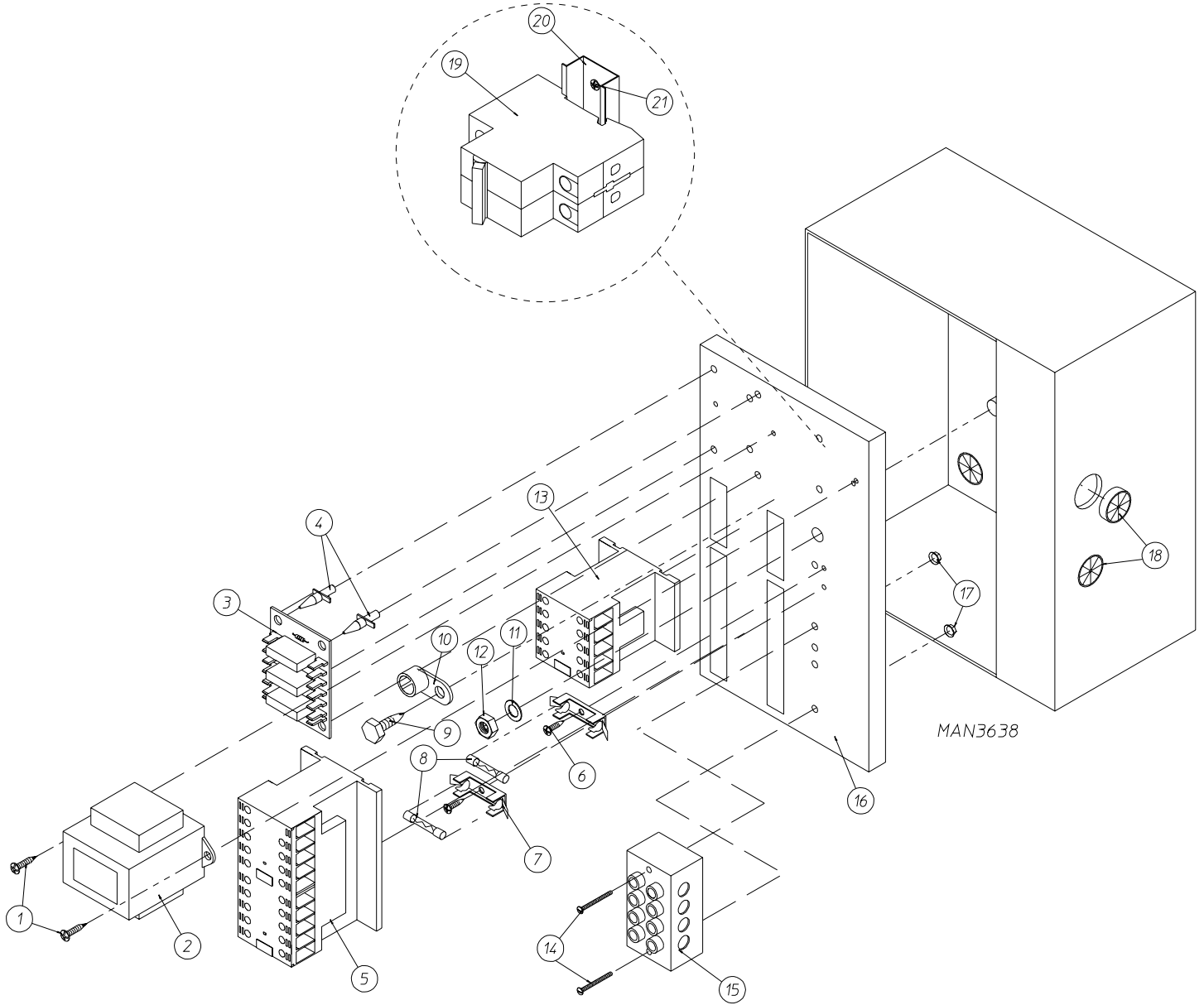


<u>Illus. No.</u>	<u>Part No.</u>	<u>Qty</u>	<u>Description</u>
1	137015	1	RC Network
2	151000	2	#6-32 Pal Nut
3	150300	2	#10 x 1/2" Hex Washer TEK Screw
4	150008	2	#6-32 x 1 1/4" Phillips Round Head Machine Screw
5	120716	1	2-Position Terminal Block
6	306304	1	Electric Relay Panel Mounting Plate ONLY
7	132083	1	Step Down Transformer (for <u>120/240 Volt 1Ø Only</u>)
	881763	1	Termination kit
8	136008	*	Fuse Holder ONLY
9	136049	1	3/4-Amp (Slo Blo) Fuse (for <u>120 Volt Models Only</u>)
	136057	2	1/2 amp (Slo Blo) fuse (for <u>208/240 Volt Only</u>)
10	150301	*	#8-18 x 7/16" Phillips Pan Head TEK Screw
11	150247	1	#10 x 1/2" Hex Washer TEK Screw - Green
12	152004	1	5/16-18 Hex Nut
13	121010	1	L-70 Ground Lug
14	153002	1	5/16" Lock Washer
15	132445	1	3-Pole Contactor - 24 VAC
16	121300	3	Open/Closed Bushing

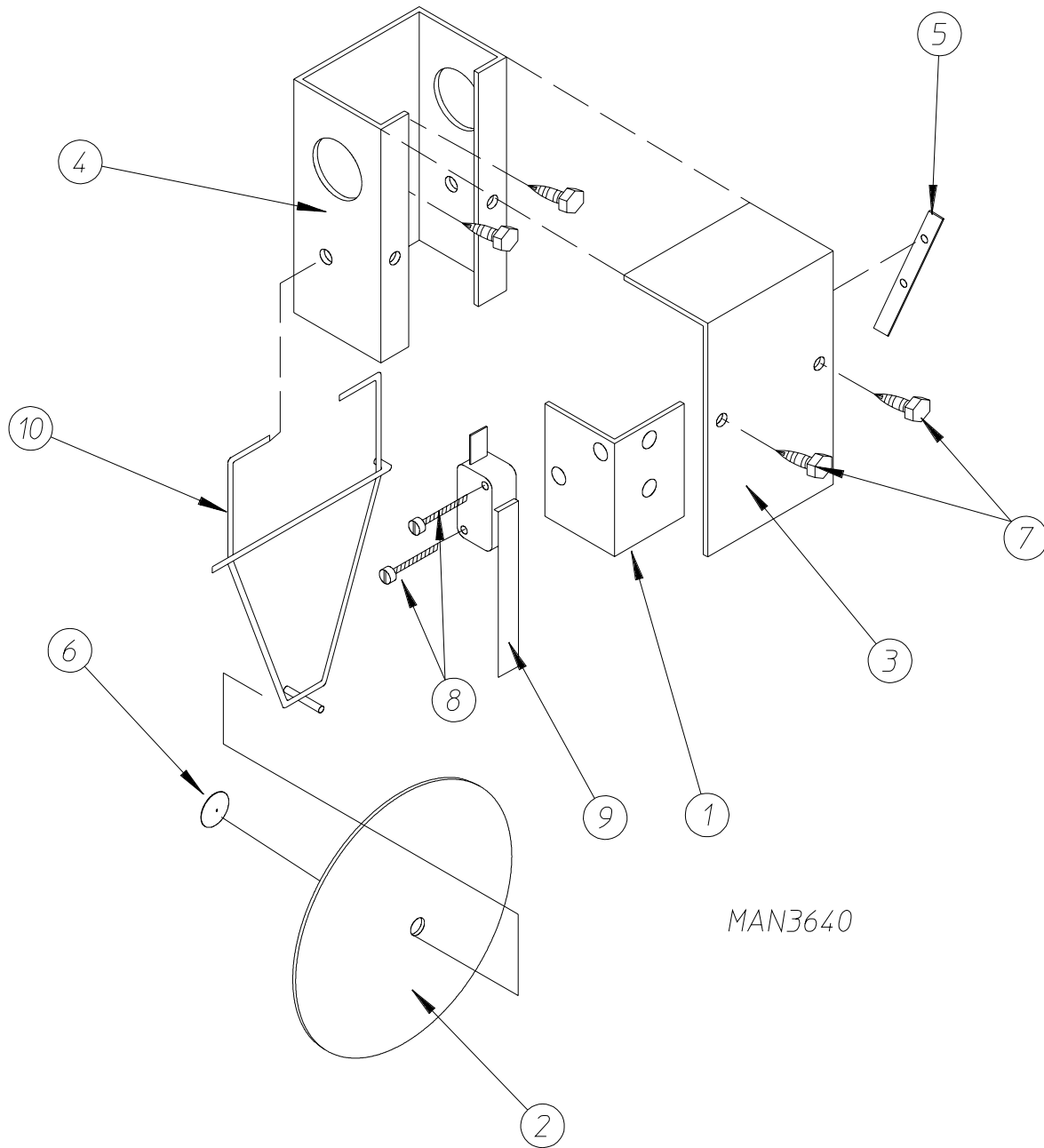
* As Required



<u>Illus. No.</u>	<u>Part No.</u>	<u>Qty</u>	<u>Description</u>
1	150300	2	#10 x 1/2" Hex Washer TEK Screw
2	132083	1	Step Down Transformer (<i>for 208/240 volts Only</i>)
	881763		Termination Kit
3	150301	2	#8-18 x 7/16" Phillips Pan Head TEK Screw
4	136008	2	Fuse Holder ONLY
5	136057	2	1/2-Amp (Slo Blo) Fuse
6	150247	1	#10 x 1/2" Hex Washer TEK Screw - green
7	121010	1	L-70 Ground Lug
8	153002	1	5/16" Lock Washer
9	152004	1	5/16-18 Hex Nut
10	137015	1	RC Network
11	132447	1	3-Pole Contactor - 24 VAC
12	322812	1	Electric Relay Panel Mounting Plate ONLY
13	150008	2	#6-32 x 1-1/4" Phillips Round Head Machine Screw
14	120701	1	4-Position Terminal Block
15	151000	2	#6-32 Pal Nut
16	121300	3	Open/Closed Bushing.

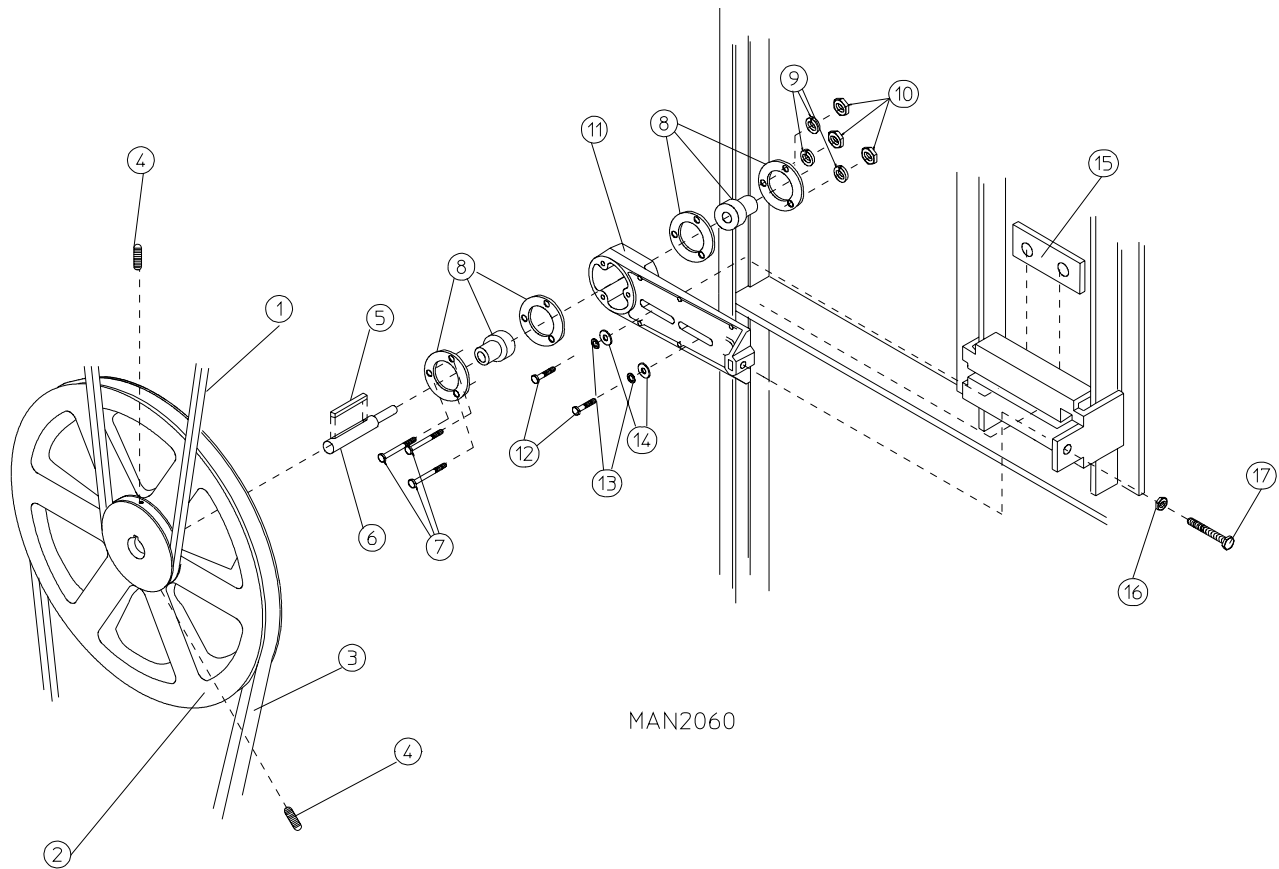


<u>Illus. No.</u>	<u>Part No.</u>	<u>Qty</u>	<u>Description</u>
1	150300	2	#10 x 1/2" Hex Washer TEK Screw
2	132083	1	Step Down Transformer (<i>for 208/230 volts Only</i>)
	881763	1	Termination Kit
3	137060	1	Arc Suppressor (A.S.) Board
4	137013	4	Nylon Standoff
5	132448	1	Reversing Contactor (<i>208/230/240/380/460 volt</i>) 24 VAC
6	150301	2	#8-18 x 7/16" Phillips Pan Head TEK Screw
7	136008	2	Fuse Holder ONLY (<i>for 208-230/240 volt models Only</i>)
8	136057	2	1/2-Amp (Slo Blo) Fuse (<i>for 208-230/240 volt models Only</i>)
9	150297	1	#10 x 1/2" Hex Washer TEK Screw - Green
10	121010	1	L-70 Ground Lug
11	153002	1	5/16" Lock Washer
12	152004	1	5/16-18 Hex Nut
13	132447	1	3-Pole Contactor - 24 VAC
14	150008	2	#6-32 x 1/4" Phillips Round Head Machine Screw
15	120701	1	4-Position Terminal Block
16	322812	1	Electric Relay Panel Mounting Plate ONLY
17	151000	2	#6-32 Pal Nut
18	121300	3	Open/Closed Bushing
19	135501	1	1-Amp Double Pole Circuit Breaker (<i>for 460/480 volt models Only</i>)
20	120768	2	Din Mounting Rail (sold by the inch) (<i>for 460/480 volt models Only</i>)
21	150300	2	#10 x 1/2" Hex Washer TEK Screw (<i>for 460/480 volt models Only</i>)



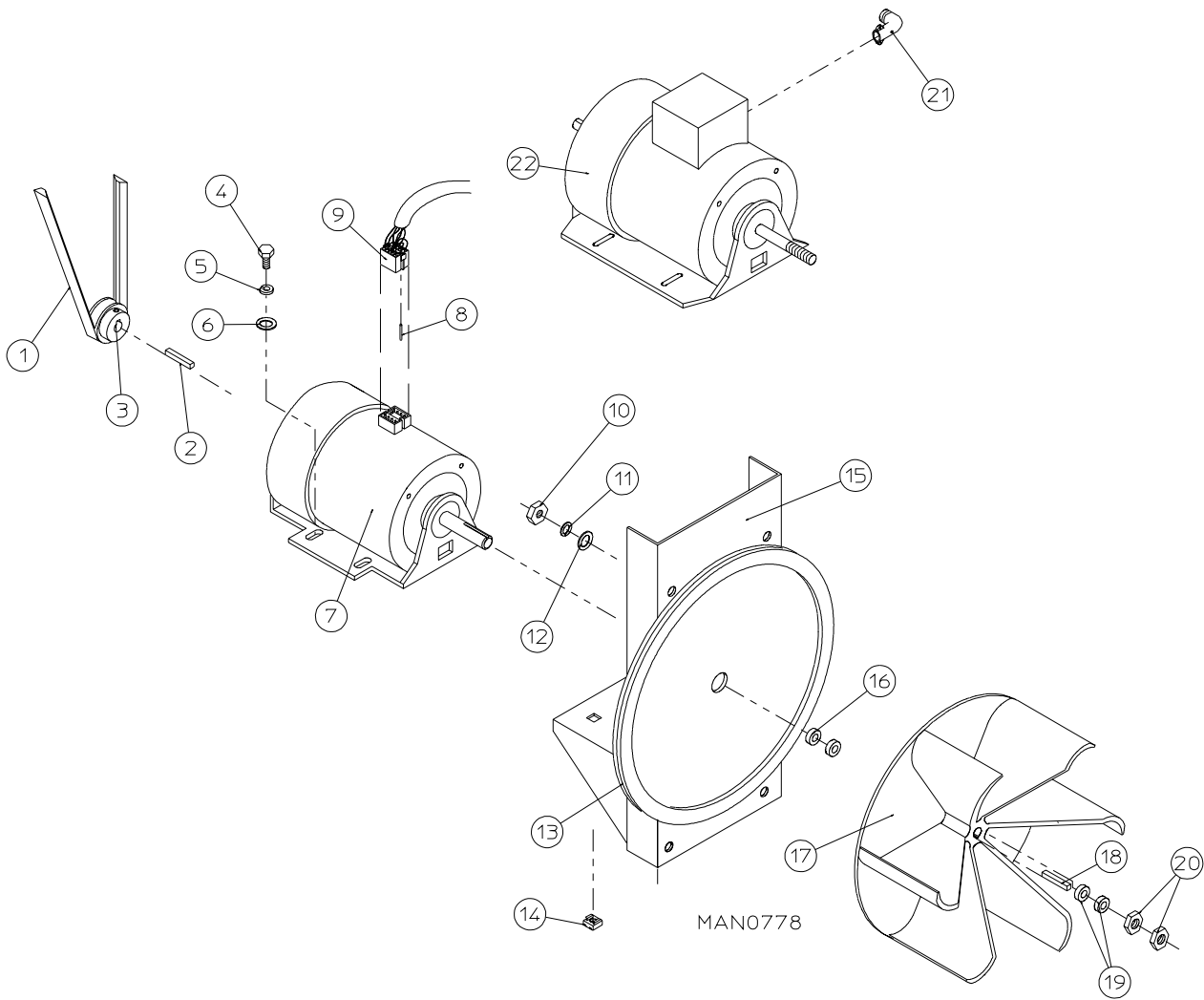
MAN3640

<u>Illus. No.</u>	<u>Part No.</u>	<u>Qty.</u>	<u>Description</u>
1	319203	1	Sail Switch Mounting Bracket
2	319202	1	Sail Switch Damper (flat)
3	319201	1	Sail Switch Box Cover
4	319200	1	Sail Switch Box
5	154004	1	Twin Speed Nut
6	154002	1	1/8" Push-on Fastener
7	150413	4	#10-16 x 1/2" Phillips Hex Head TEK Crimptite Screw
8	150303	2	#4 x 3/4" Pan Head "A" Machine Screw
9	122200	1	Sail Switch ONLY
	881706	1	Sail Switch Box Assembly Complete (includes illus. nos.1 through 10)
10	105500	1	Sail Switch Actuator Rod



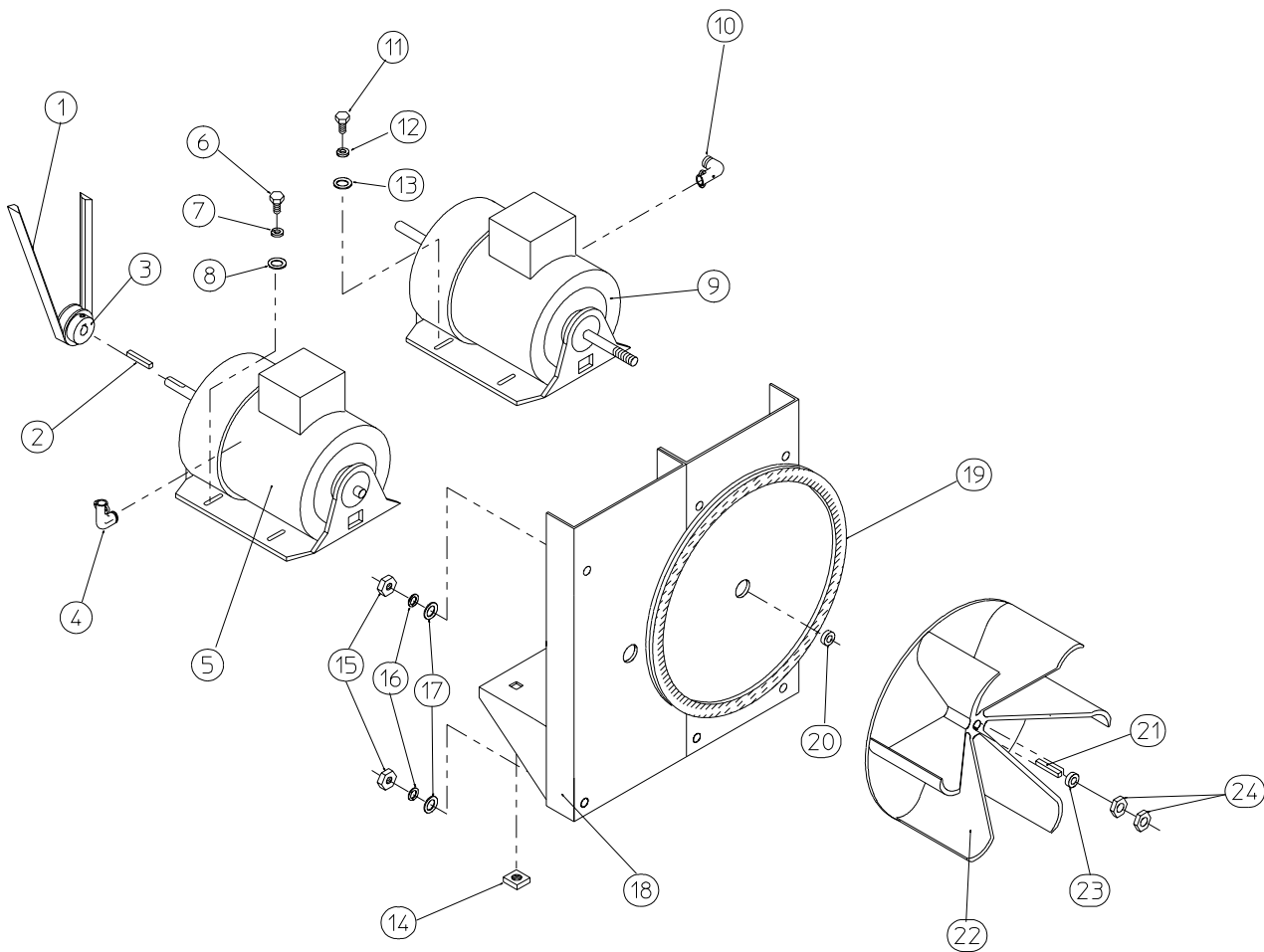
<u>Illus. No.</u>	<u>Part No.</u>	<u>Qty.</u>	<u>Description</u>
1	100135	1	5L-690 V-Belt (idler to basket [tumbler])
2	101140	1	14" x 3" Compound Pulley
3	100178	1	4L-620 V-Belt (idler to motor) (for non-reversing models Only)
	100112	1	4L-630 V-Belt (idler to motor) (for reversing models Only)
4	154301	2	5/16-18 x 1" Allen Set Screw
5	100705	1	3/16" x 3/16" x 1-3/8" Key
6	301850	1	5/8" x 3/4" Idler Shaft
7	150529	3	1/4-20 x 2-1/4" Carriage Bolt
8	880214	2	5/8" Flange Bearing
9	153007	3	1/4" Lock Washer
10	152002	3	1/4-20 Hex Nut
11	801015	1	Idler Bearing Assembly Complete (includes illus. nos. 5 through 17)
12	150617	2	3/8-16 x 1" Hex Head Machine Bolt
13	153005	2	3/8" Lock Washer
14	153004	2	3/8" Flat Washer
15	801009	1	Idler Square Washer
16	152004	1	5/16-18 Hex Nut
17	150509	1	5/16-18 x 3" Hex Head Machine Bolt

24 *Non-Reversing Totally Enclosed, Fan-Cooled (T.E.F.C.) Motor Mount Assembly*



<u>Illus. No.</u>	<u>Part No.</u>	<u>Qty.</u>	<u>Description</u>
1	100117	1	4L 620 V-Belt (motor to idler)
2	100701	1	3/16" x 3/16" x 1" Key
3	101133	1	5/8" x 2-1/4" Motor Pulley (60 Hz Only)
4	150501	4	5/16-18 x 3/4" Hex Head Machine Bolt
5	153002	4	5/16" Lock Washer
6	153001	4	5/16" Flat Washer
7	100073*	1	1 HP 120/208/230v 1Ø 60 Hz T.E.F.C. Motor with Plug (56Z frame)
8	122701	8	Socket Terminal
	122801	1	Pin/Socket Extraction Tool
9	137030	1	8-Pin Housing Connector
	814764	1	120 Volt - 1Ø Motor Harness
10	152004	4	5/16-18 Hex Nut
11	153002	4	5/16" Lock Washer
12	153001	4	5/16" Flat Washer
13	117600	4	Noise Suppressor Tape (sold by the foot)
14	154000	4	5/16-18 Tinnerman Nut
15	800919	1	Non-Reversing Motor Mount ONLY (56Z frame)
	803992*	1	1 HP 120/230v 1Ø 60 Hz T.E.F.C. Motor Mount Assembly with Plug Complete (includes illus. nos. 2 through 7 and 13 through 20) (for models mfd. as of September 14, 1992)
	803955*	1	1 HP 230/380/460v 3Ø 60 Hz Non-Reversing T.E.F.C. Motor Mount Assembly Complete (includes illus. nos. 2 through 6 and 13 through 22)
16	153051	1	3/4" S.A.E. Flat Washer
17	100603	1	16" Impellor with 3/4" Bore
18	100714	1	3/16" x 3/16" x 1-7/8" Key
19	153050	2	1/2" S.A.E. Flat Washer
20	152006	2	1/2-20 Left Hand Jam Nut
21	120200	1	3/8" x 90° Connector
	814772	1	3-Phase (3Ø) Motor Harness
22*	100075	1	1 HP 208/230/240/460v 3Ø 50/60 Hz T.E.F.C. Motor

* Specify voltage when ordering.

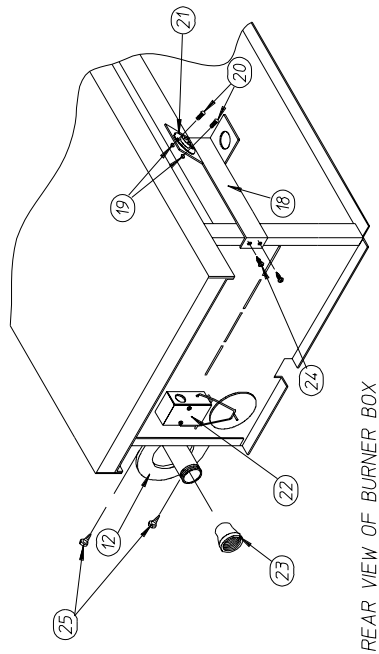
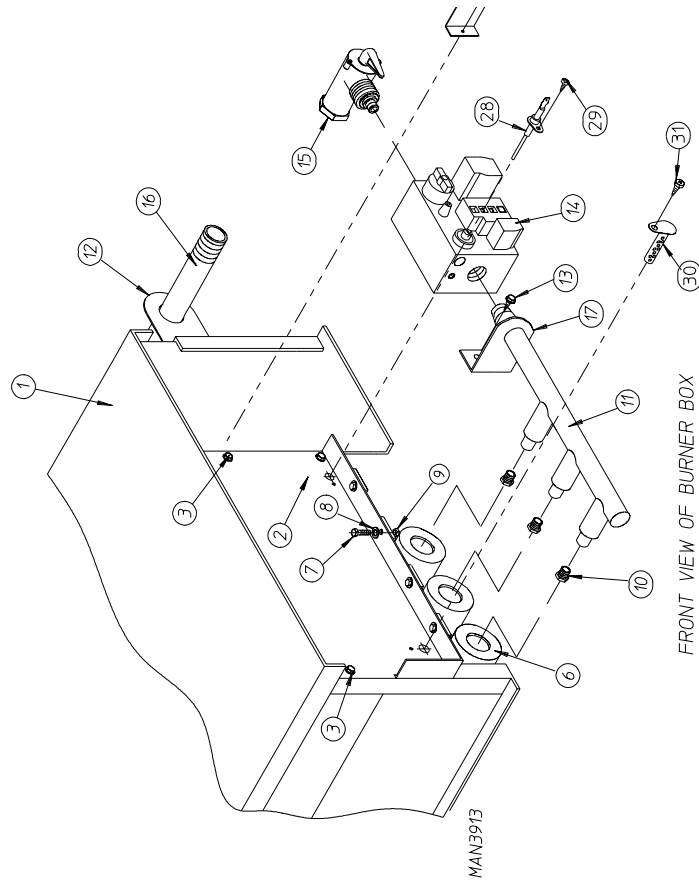


MAN0250

<u>Illus. No.</u>	<u>Part No.</u>	<u>Qty.</u>	<u>Description</u>
1	100112	1	4L-630 V-Belt (motor to idler)
2	100701	1	3/16" x 3/16" x 1" Key
3	101130	1	5/8" x 2-1/2" Motor Pulley (60 Hz ONLY)
4	120200	1	3/8" x 90° Connector
	814780	1	3-Phase (3Ø) Drive Motor Harness
5*	181003	1	1/2 HP 208/230/380/460v 3Ø 50/60 Hz T.E.F.C. (56Z frame)
6	150501	4	5/16-18 x 3/4" Hex Head Machine Bolt
7	153002	4	5/16" Lock Washer
8	153001	4	5/16" Flat Washer
9*	100075	1	1 HP 220/230/380/460v 3Ø 50/60 Hz T.E.F.C. Motor with 3/4" Shaft (56Z frame)
10	120200	1	3/8" x 90° Connector
	814779	1	3-Phase (3Ø) Blower (Fan/Impellor) Motor Harness
11	150501	4	5/16-18 x 3/4" Hex Head Machine Bolt
12	153002	4	5/16" Lock Washer
13	153001	4	5/16" Flat Washer
14	154000	8	5/16" Tinnerman Nut
15	152004	7	5/16" Hex Nut
16	153002	4	5/16" Lock Washer
17	153001	4	5/16" Flat Washer
18	800912	1	Reversing Motor Mount ONLY (56Z frame)
	803952*	1	Reversing T.E.F.C. Motor Mount Assembly Complete (for 60 Hz Models ONLY) (includes illus. nos. 2 through 14 and 18 through 24)
19	117600	4	Noise Suppressor Tape (sold in feet)
20	153050	1	1/2" S.A.E. Flat Washer
21	100702	1	1/8" x 1/8" x 1-1/2" Key
22	100603	1	16" Impellor with 3/4" Bore
23	153050	**	1/2" S.A.E. Flat Washer
24	152006	2	1/2-20 Left Hand Jam Nut

* Specify voltage when ordering.

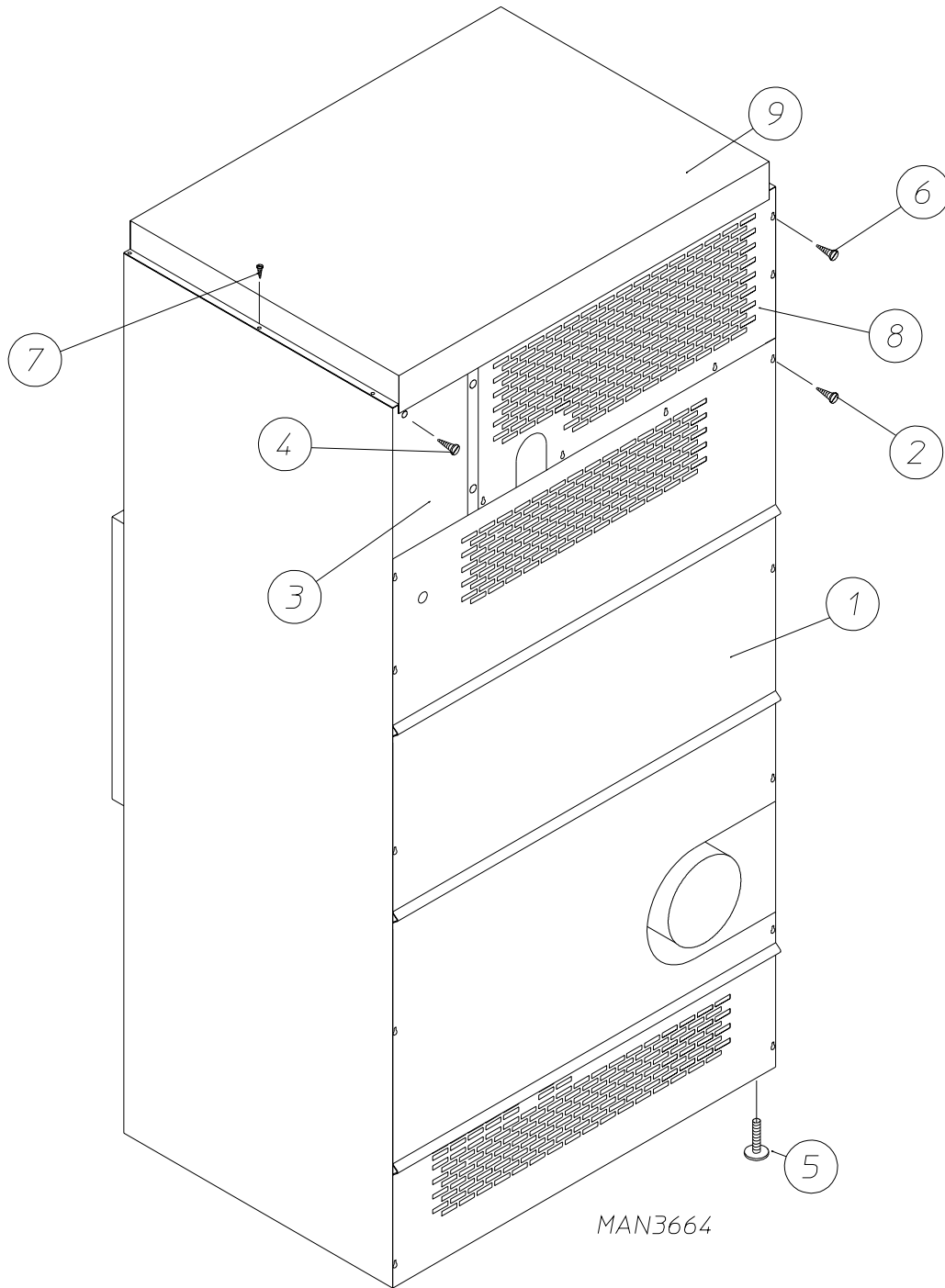
** As required.



<u>Illus. No.</u>	<u>Part No.</u>	<u>Qty.</u>	<u>Description</u>
1	882022	1	Natural Gas Burner Assembly Complete Less Orifices (includes illus. nos. 1 through 9 and 11 through 29) For models mfd. with Natural Gas ONLY
	882023	1	L.P. (liquid propane) Gas Burner Assembly Complete Less Orifices (includes illus. nos. 1 through 9 and 11 through 29) For models mfd. with L.P. (liquid propane) Gas ONLY
	802237	1	Burner Box ONLY
	881655**	1	AD-78 Burner L.P. Conversion Kit
2	353260	1	Burner Box Front ONLY
3	150413	5	#10-16 x 1/2" Hex Head TEK Crimptite Screw
4	810029	1	Hot Surface Ignition (HSI) Module Mounting Bracket
5	881797	1	HSI (Hot Surface Ignition) Module II
6	141105	3	Large Burner Tube
7	150103	3	#8-32 x 1/2" Phillips Round Head Machine Screw
8	153000	3	#8 Steel Burr
9	151001	3	#8-32 Pal Nut
10**	140828	3	20 Burner Orifice (natural gas) ONLY
	140810	3	42 Burner Orifice (liquid propane gas) ONLY
11	141232	1	3-Port Manifold
12	318700	2	Pipe Bracket
13	150300	2	#10 x 1/2" Hex Washer TEK Screw
14	128927	1	1/2" 24 VAC Redundant (natural gas) Gas Valve
	880960	1	1/2" 24 VAC L.P. (liquid propane) Gas Valve Assembly
	140411	1	24 VAC Gas Valve L.P. (liquid propane) Conversion Kit
15	881367	1	1/2" Union Shut Off with Tail Piece
16	142809	1	1/2" x 29-1/8" Nipple
17	323737	1	Pipe Bracket
18	319704	1	Hi-Limit Mounting Bracket
19	151000	2	#6-32 Pal Nut
20	150001	2	#6-32 x 1/2" Phillips Round Head Machine Screw
21	130401	1	330° Hi-Limit ONLY
22	-----	1	Sail Switch (refer to Sail Switch Assembly on page 22)
23	143000	1	3/4" TO 1/2" Reducing Coupling
24	150413	2	#10-16 x 1/2" Hex Head TEK Crimptite Screw
25	150413	2	#10-16 x 1/2" Hex Head TEK Crimptite Screw
26	151001	2	#8-32 Pal Nut
27	150413	3	#10-16 x 1/2" Hex Head TEK Crimptite Screw
28	128921	1	HSI Flame Sensor
29	150301	1	#8-18 x 7/16" Phillips Pan Head TEK Screw
30	881597	1	Hot Surface Ignitor (2-1/2" length) - 24 VAC
31	150413	1	#10-16 x 1/2" Hex Head TEK Crimptite Screw

* Burner orifices are not included and must be ordered separately.

** Consult factory for elevations over 2,000 feet.



<u>Illus. No.</u>	<u>Part No.</u>	<u>Qty.</u>	<u>Description</u>
1	314739	1	Bottom Back Guard
2	150301	12	#8-18 x 7/16" Phillips Pan Head TEK Screw
3	322809	1	Rear Electrical Box Cover
4	150301	4	#8-18 x 7/16" Phillips Pan Head TEK Screw
5	103500	4	Leveling Leg
6	150301	7	#8-18 x 7/16" Phillips Pan Head TEK Screw
7	150301	12	#8-18 x 7/16" Phillips Pan Head TEK Screw
8	314738	1	Top Back Guard
9	314757	1	Outer Top

<u>Part No.</u>	<u>Description</u>
112039	"Black/White/Green Ground" Label
112040	"Lint Compartment" Label
112041	"CAUTION - Exhausted" Label
112284	"Phase 6 OPL Program Location Summary" Label
114006	"WARNING - Fire Hazards" Label
120100	3/8" Straight (BX) Connector
120300	3/8" x 45° (BX) Connector
120400	3/8" Red Jacket (BX) Insulator
120500	3/8" Jiffy Clip (BX Retainer Clip)
120600	3/8" Greenfield (BX)
120800	1/4" In-Line Connector
120802	Red Butt Connector
120902	#74B Wire Nut
120903	Crimp-on Wire Nut
121014	1/4" Insulated (female) Terminal
121499	4" Harness Tie
121500	7" Harness Tie
121503	Harness Tie Mounting Clip
122804	Manometer (Hydro Gauge) for measuring Gas Pressure
404502	White-Brush-In-Cap Bottle Touch-Up Paint
404507	Cornflower Blue Brush-In-Cap Bottle Touch-Up Paint
880200	Electrical Terminal (assortment) Kit
880884	Tumbler (Basket) Bearing Puller

